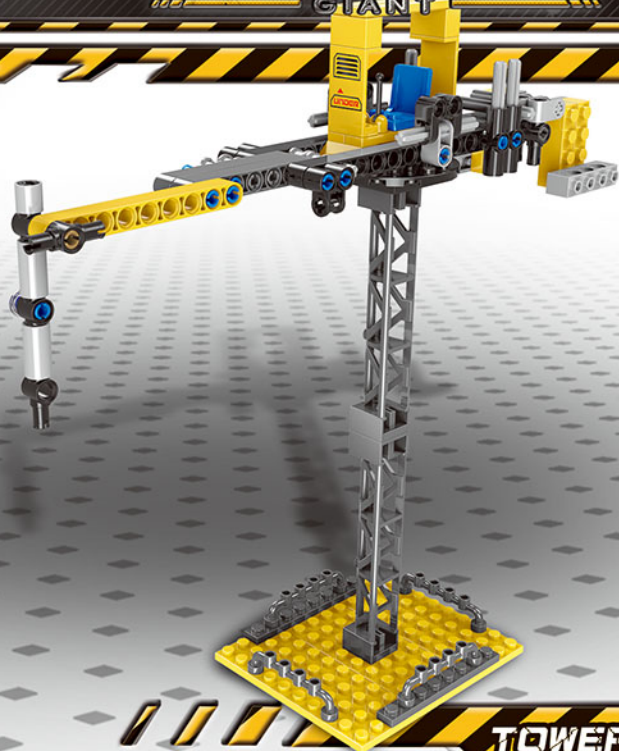


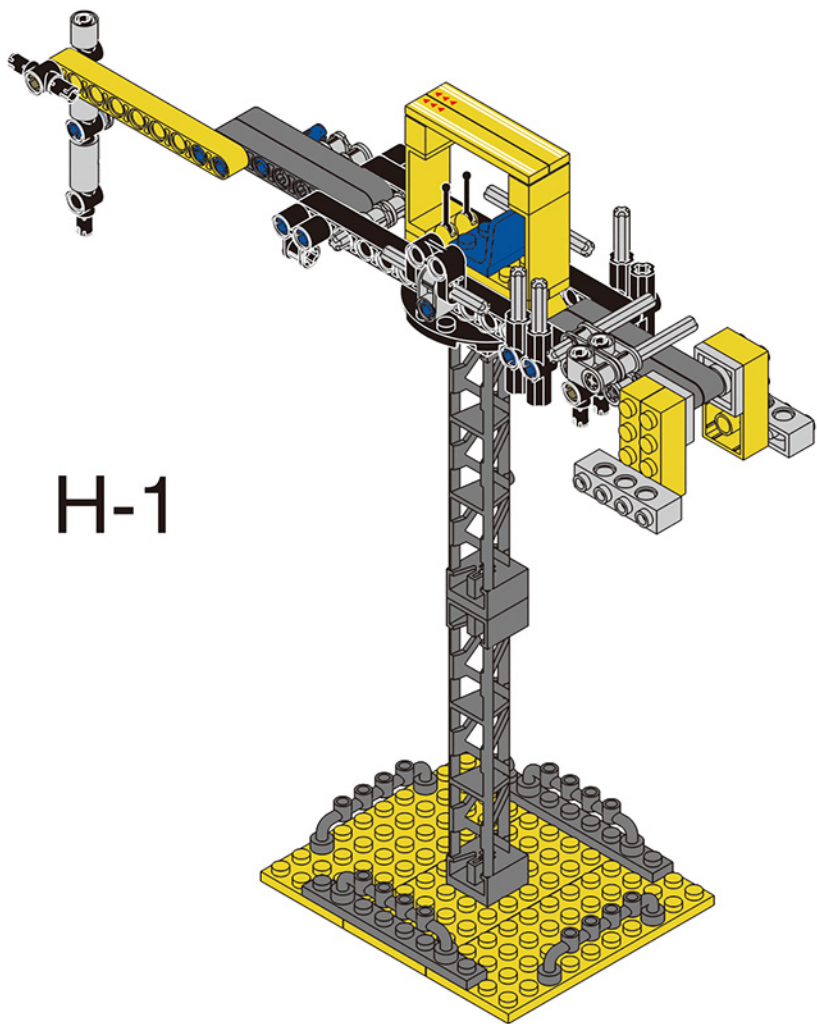


EXCAVATOR GIANT

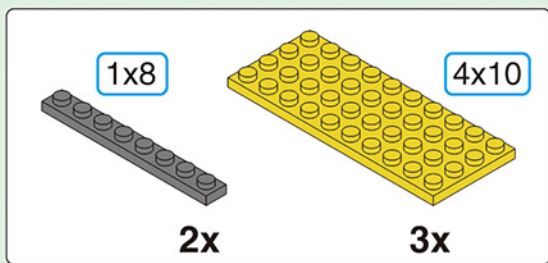
XB-13002H



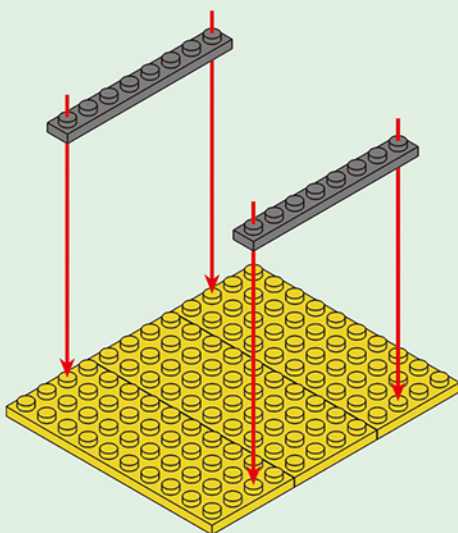
TOWER CRANE



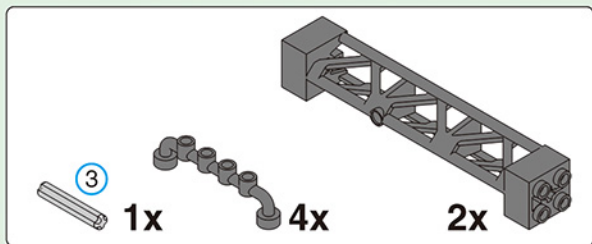
H-1



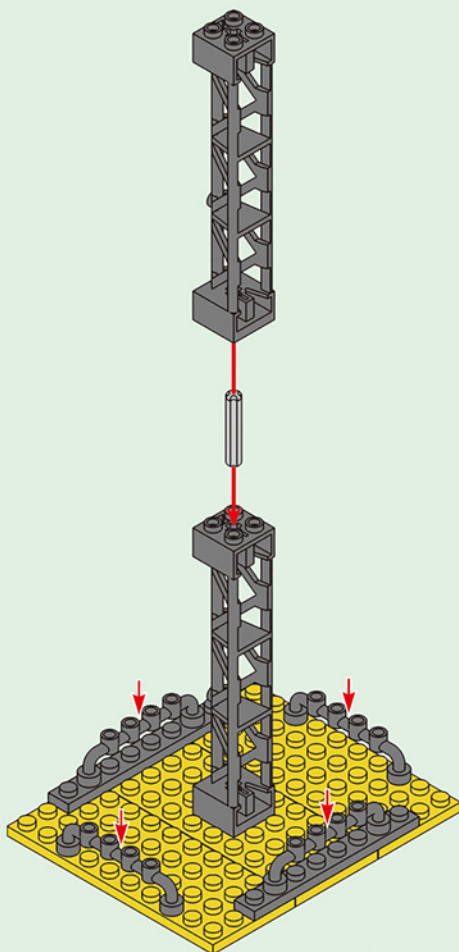
1



2

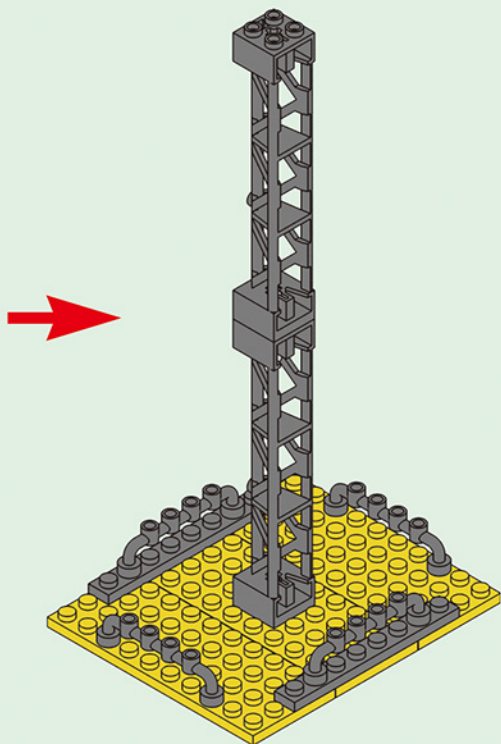


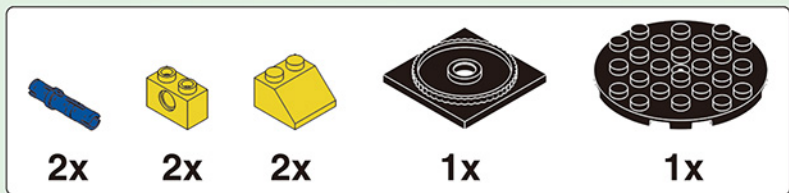
2



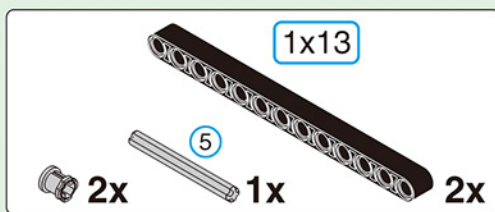
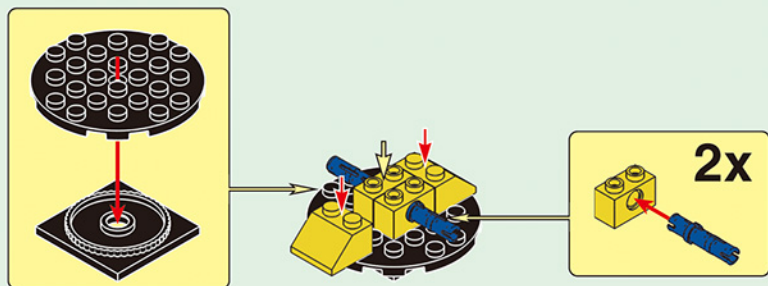
3



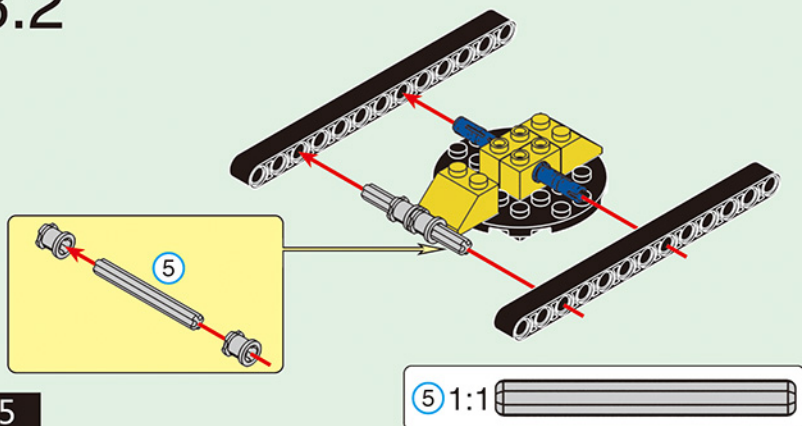


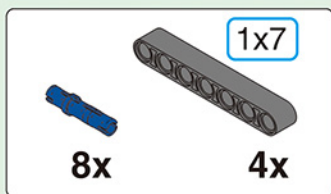


3.1

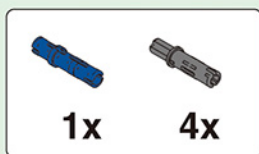
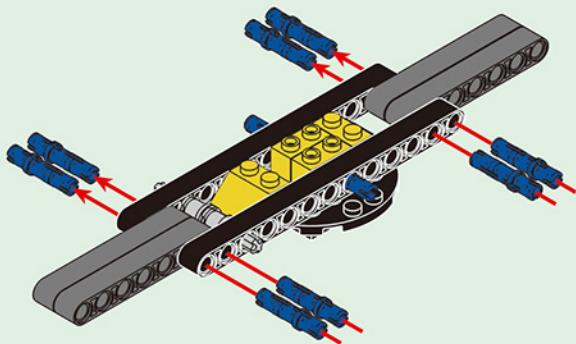


3.2

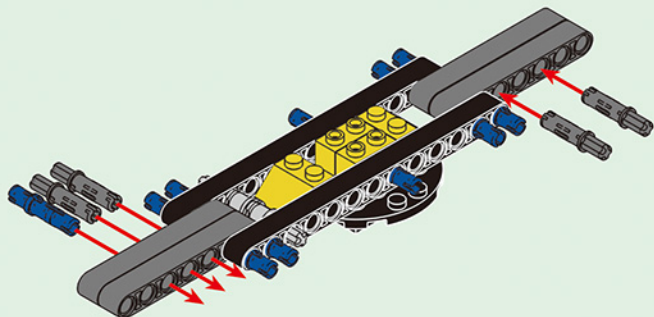


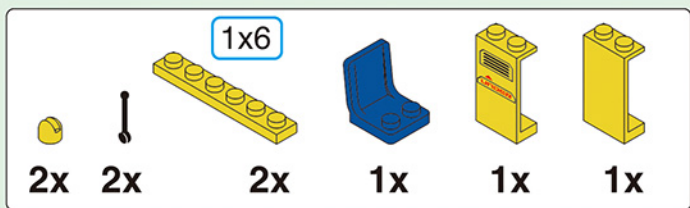


3.3

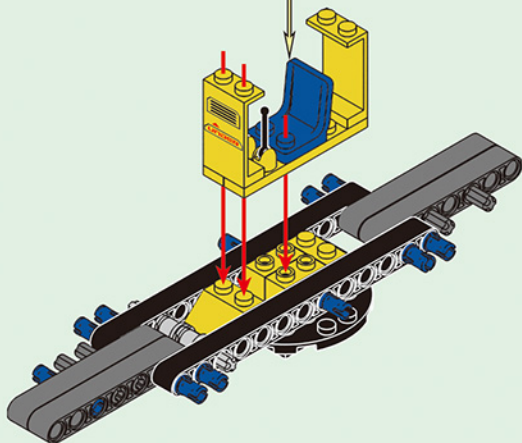
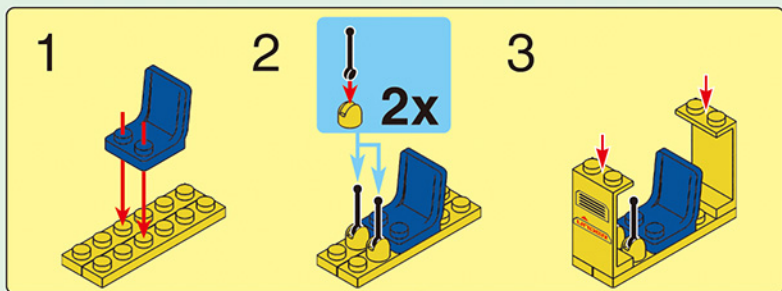


3.4

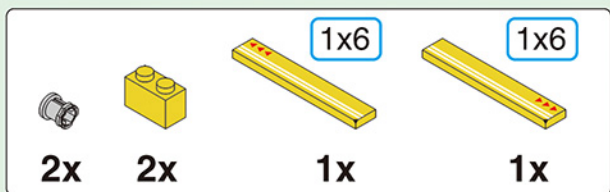




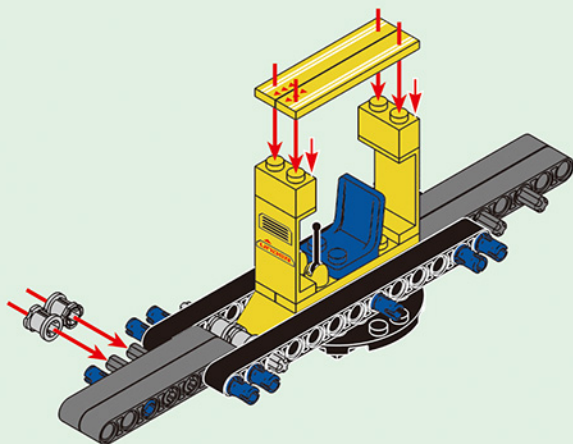
3



7



4





2x

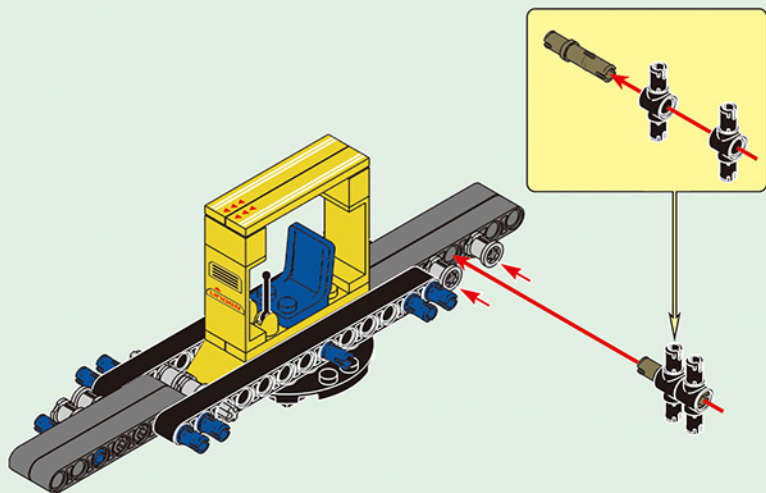


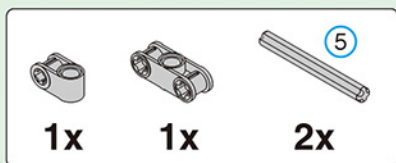
2x



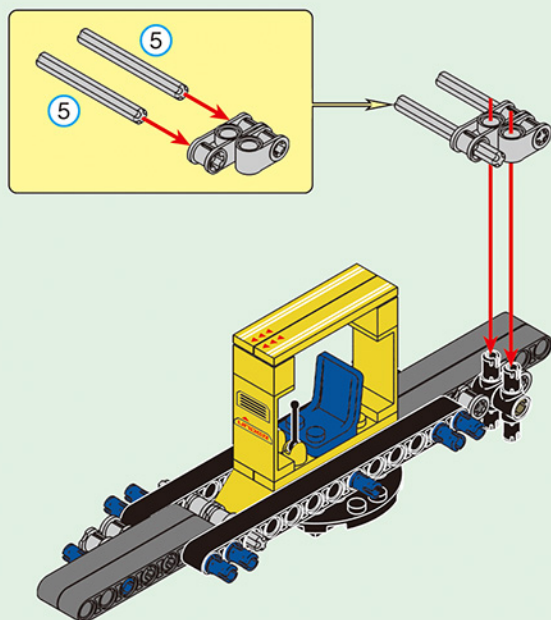
1x

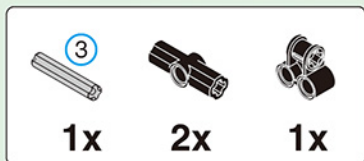
5



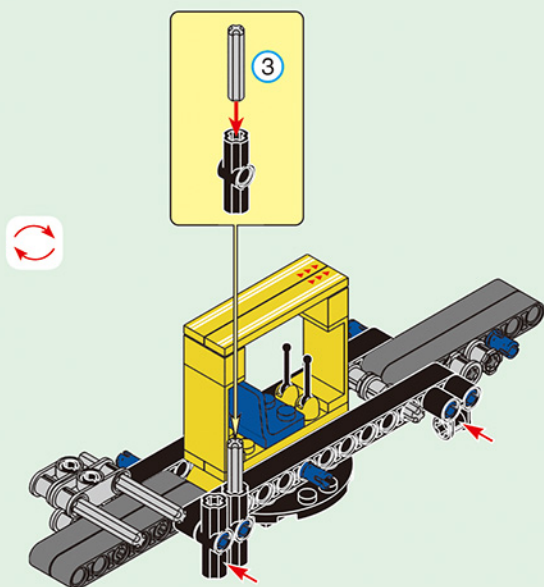


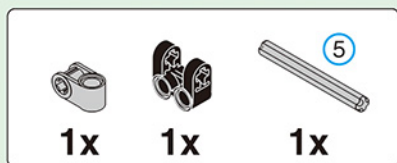
6



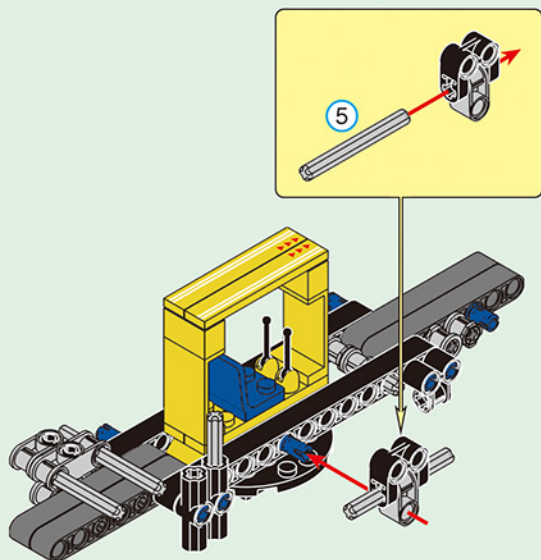


7



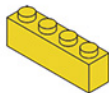


8

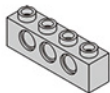




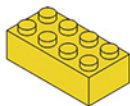
2x



2x

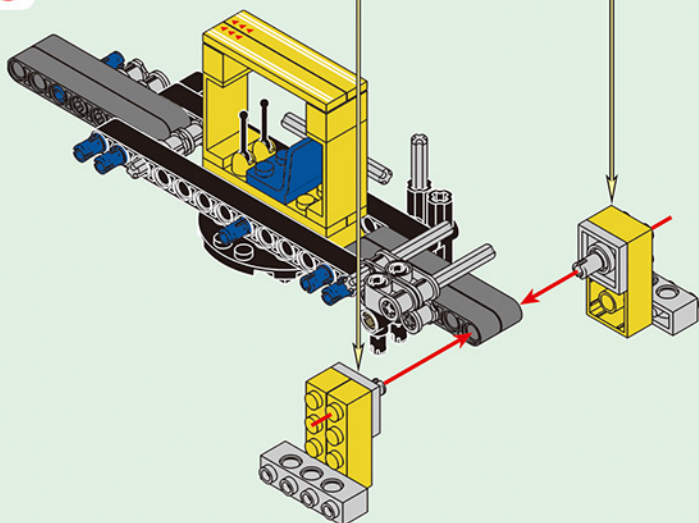
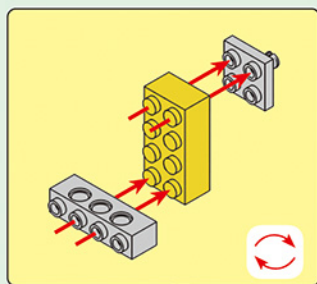
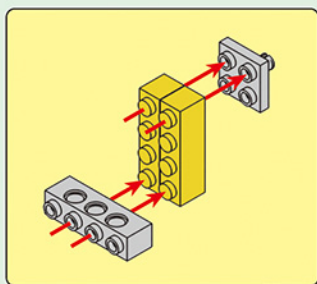


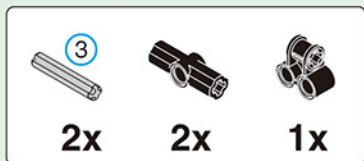
2x



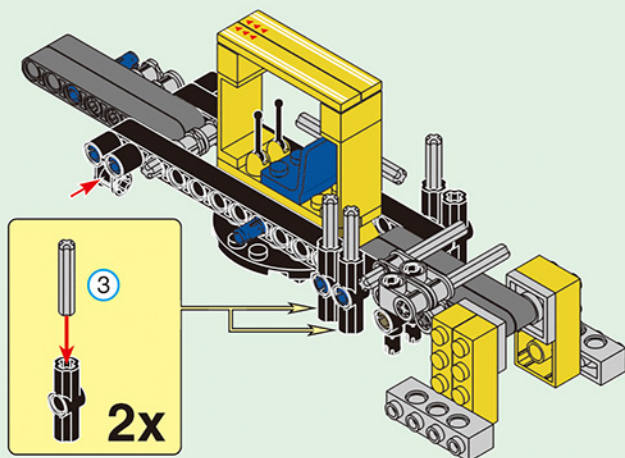
1x

9





10

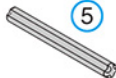




1x



1x

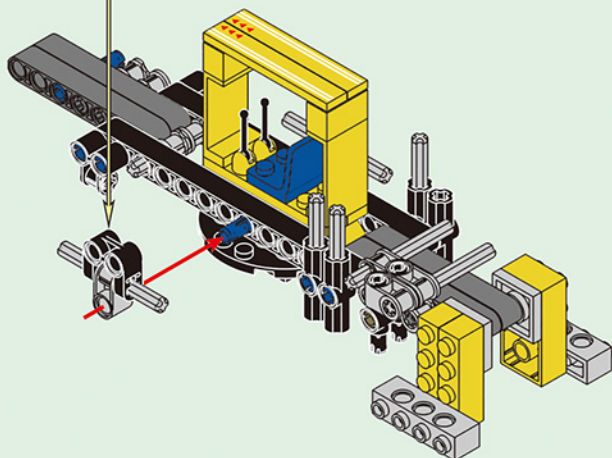
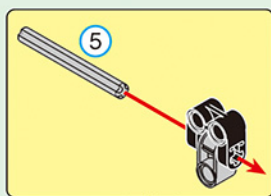


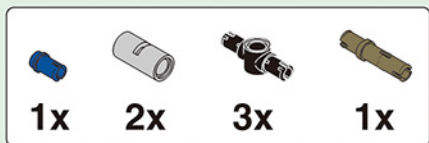
1x

5 1:1

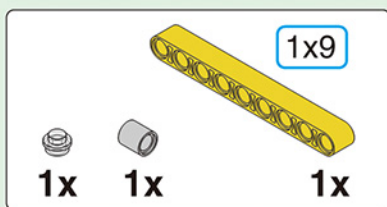
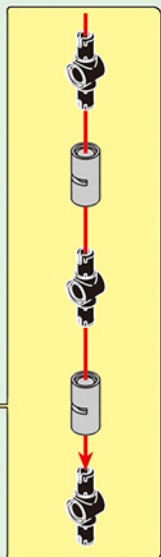
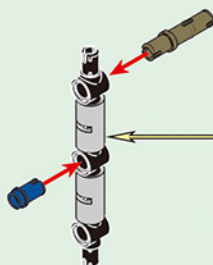


11

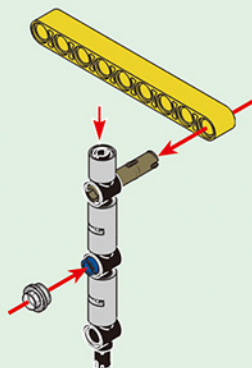




12.1



12.2



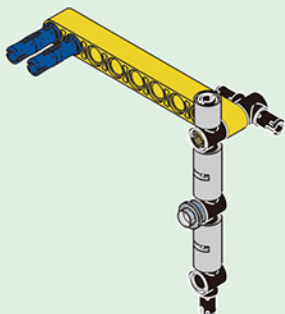
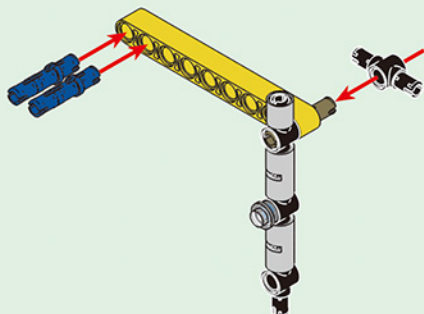


1x

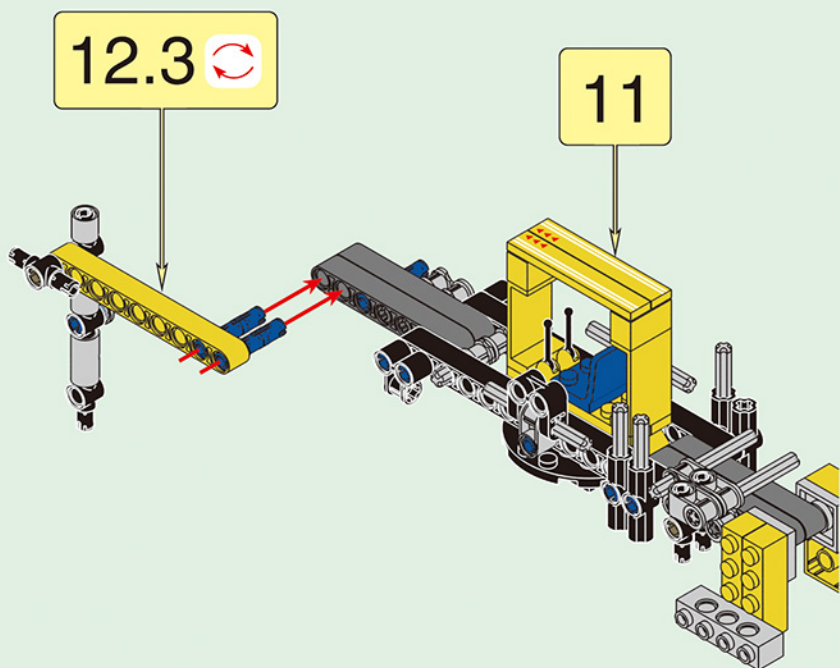


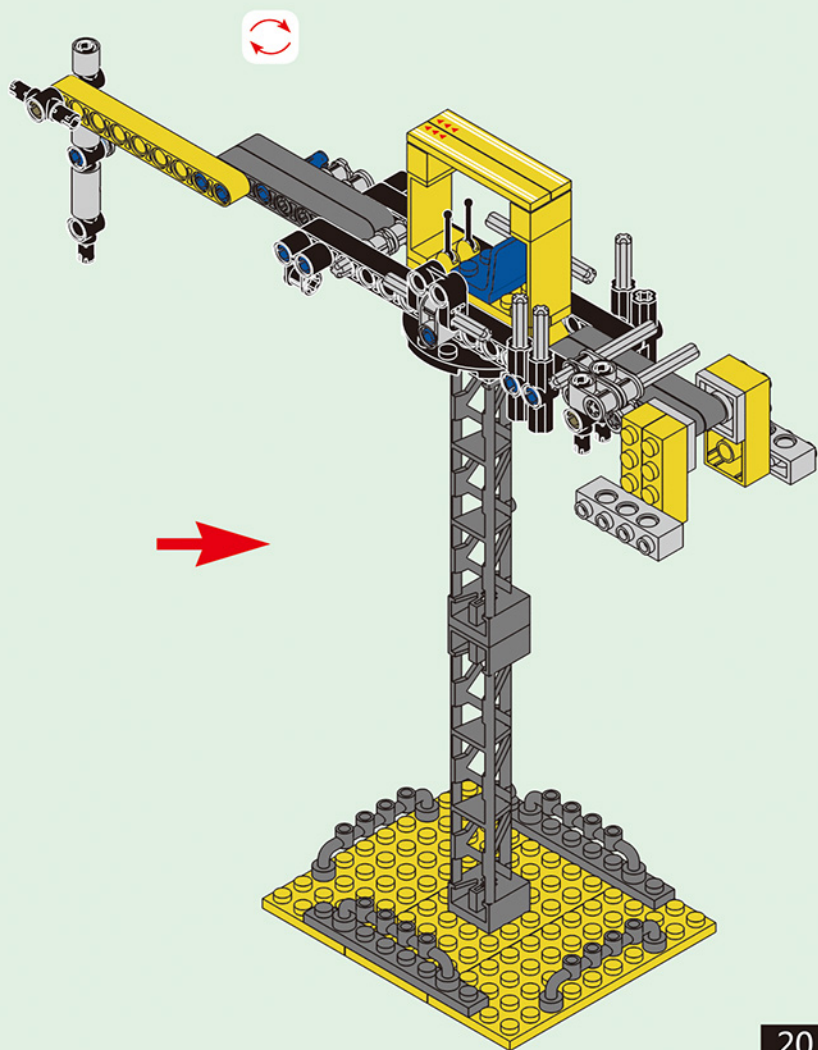
2x

12.3

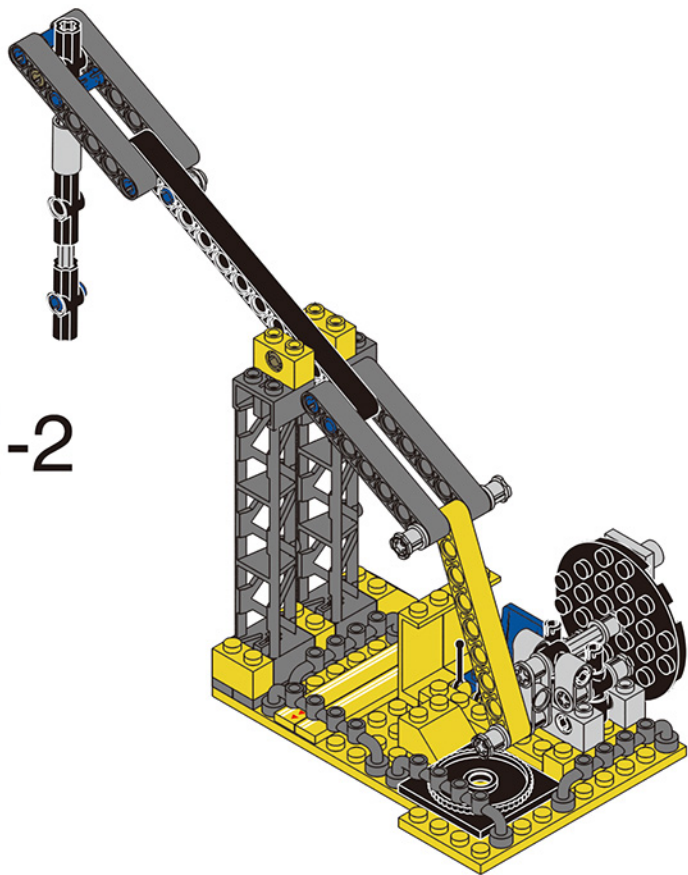


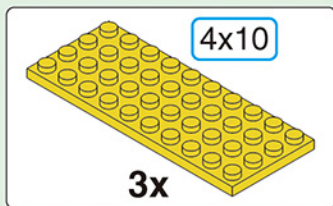
12



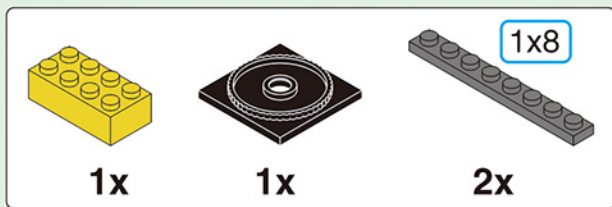
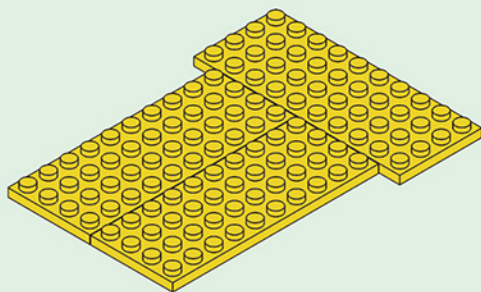


H-2

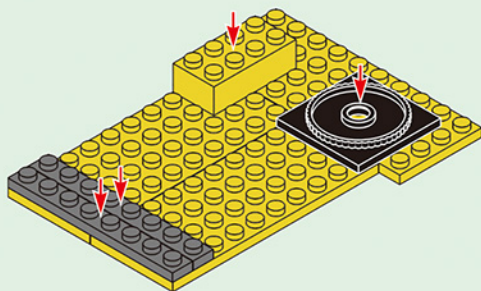


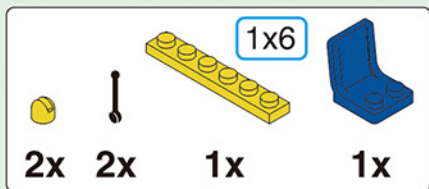


1

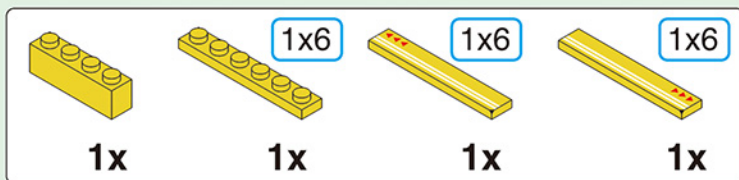
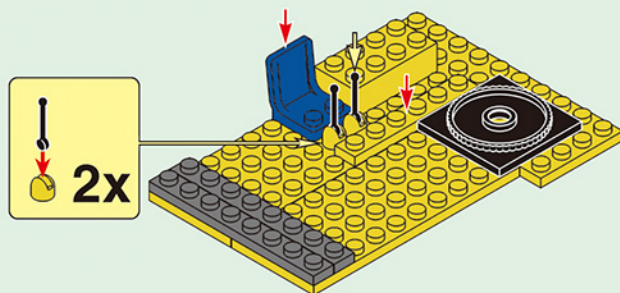


2

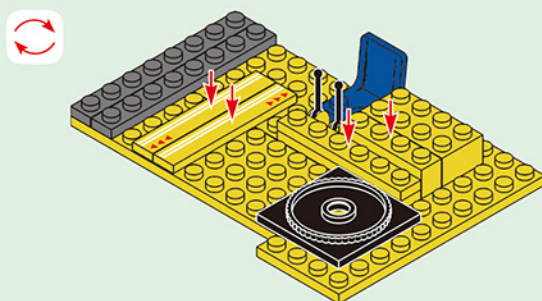


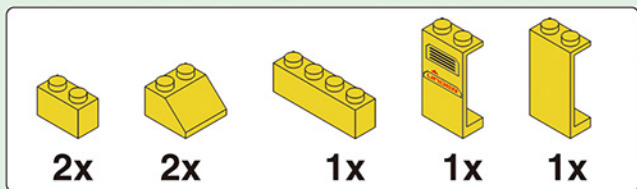


3

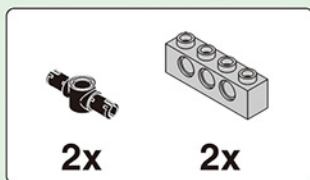
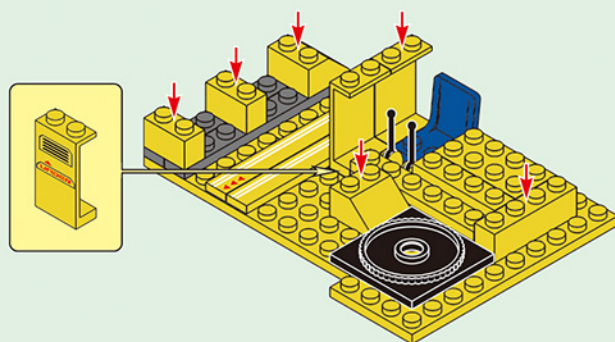


4

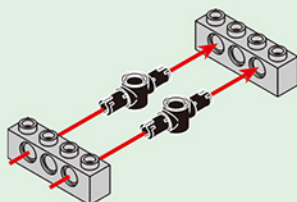


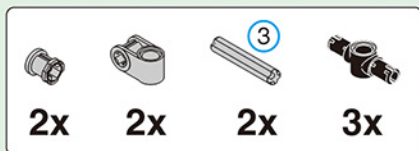


5

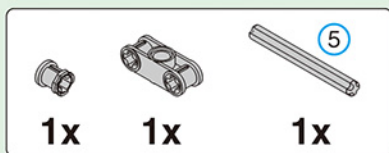
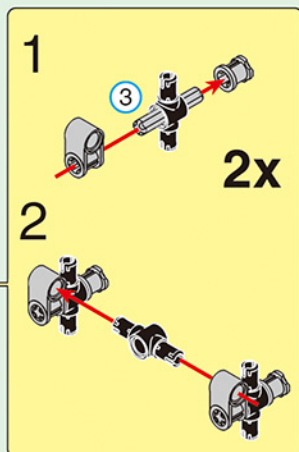
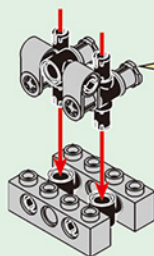


6.1

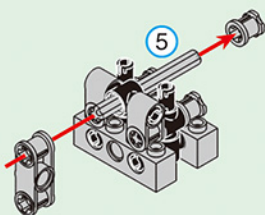


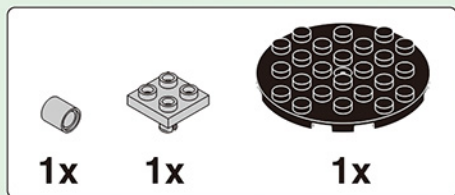


6.2

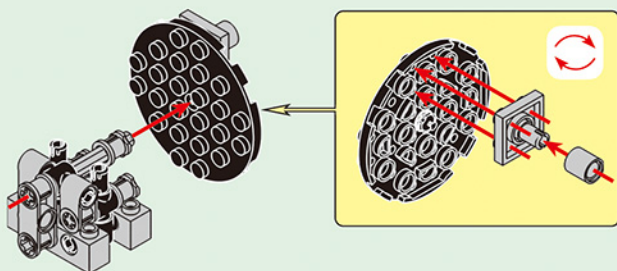


6.3

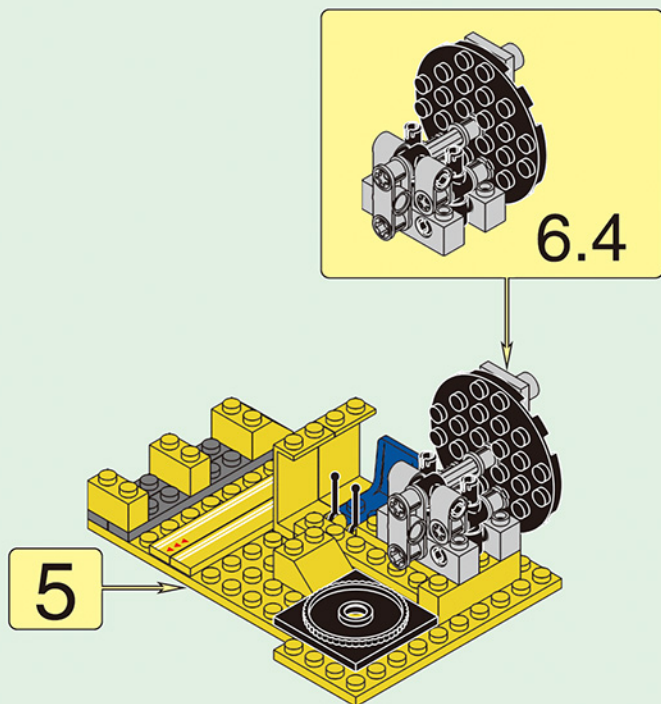


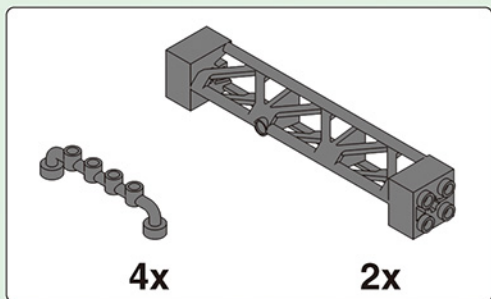


6.4

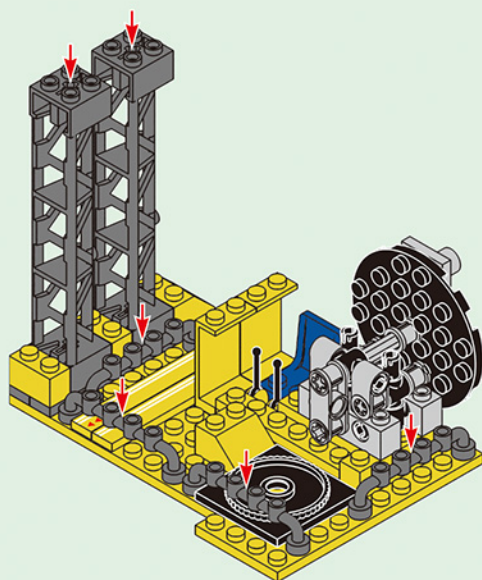


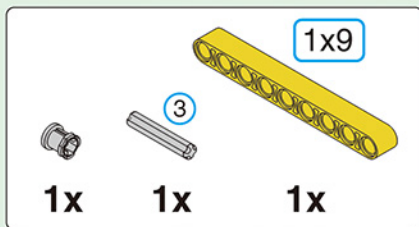
6



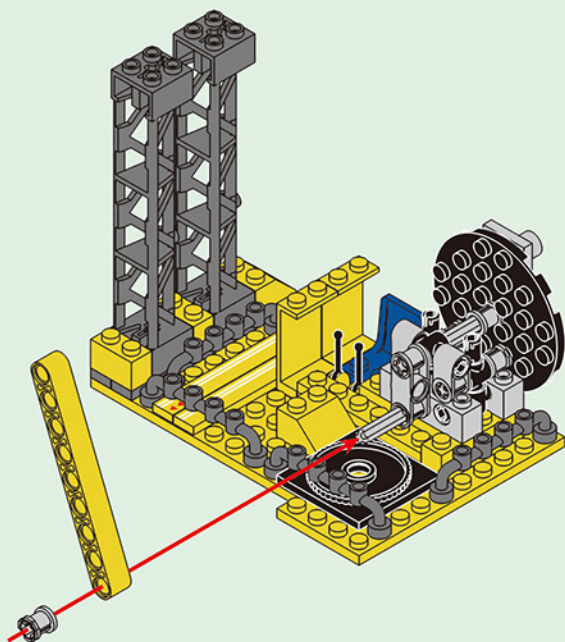


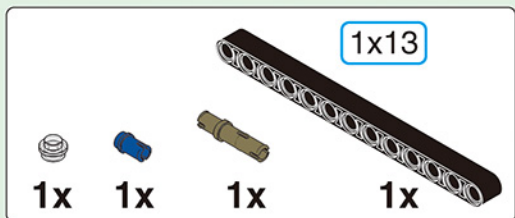
7



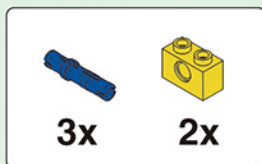
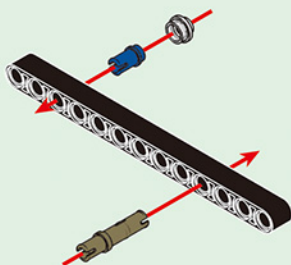


8

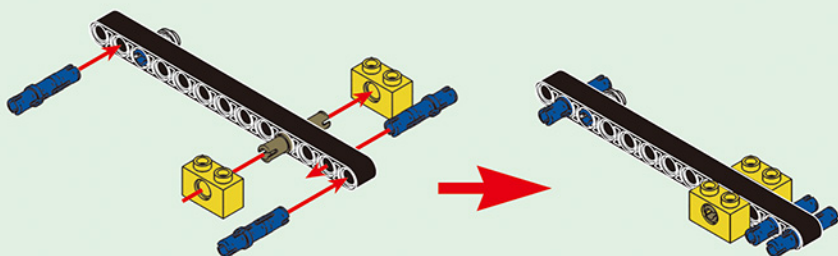


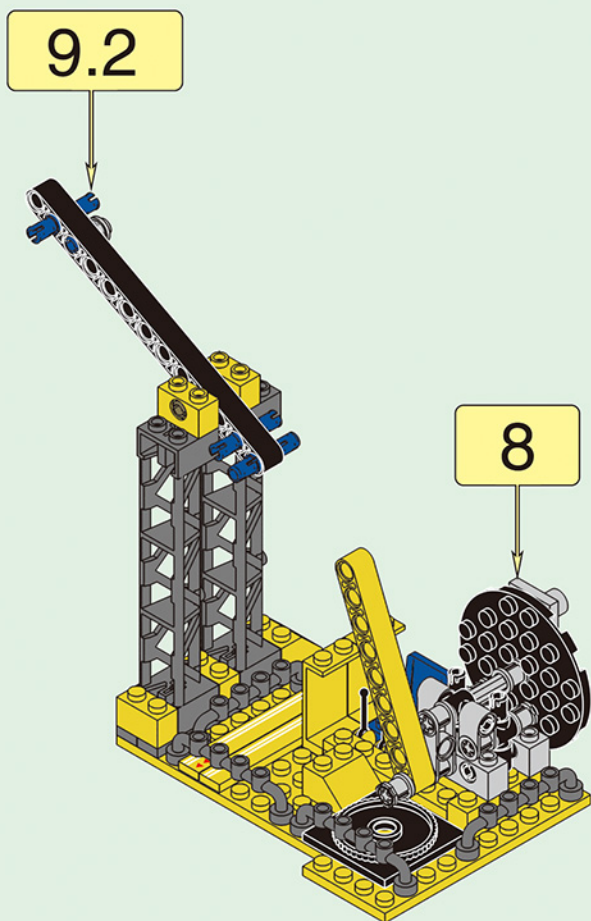


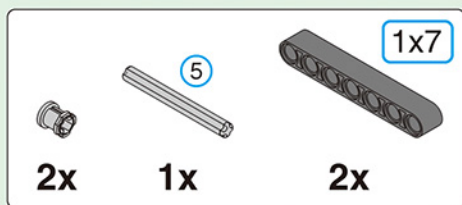
9.1



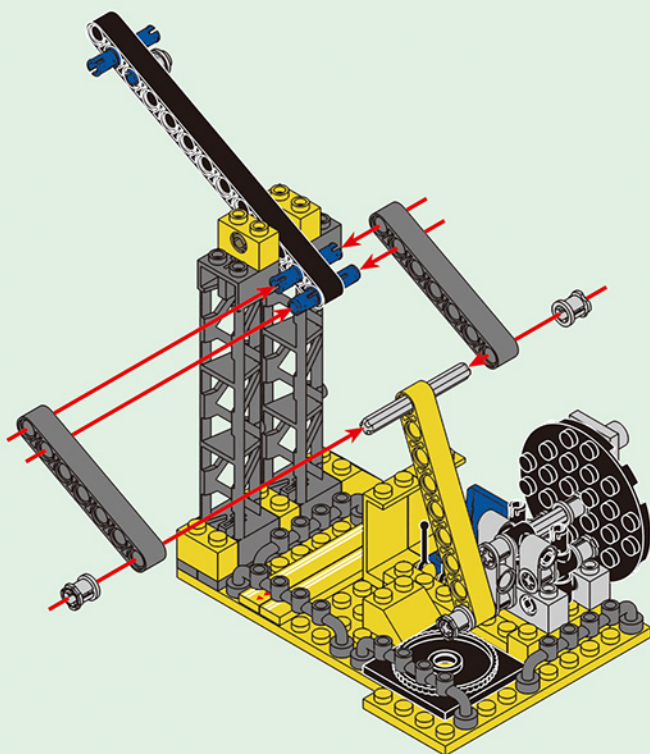
9.2

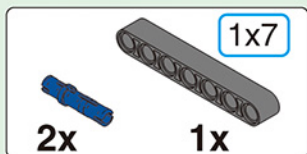




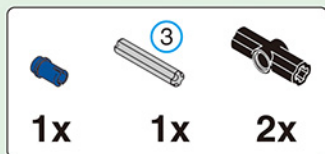
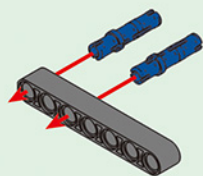


10 5 1:1

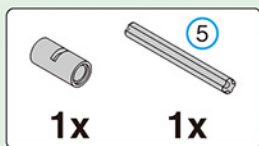
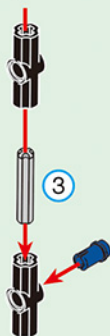




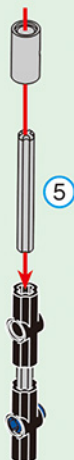
11.1



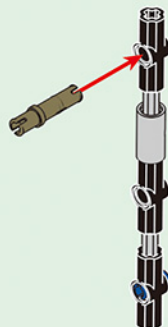
11.2

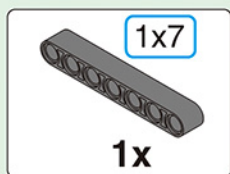


11.3

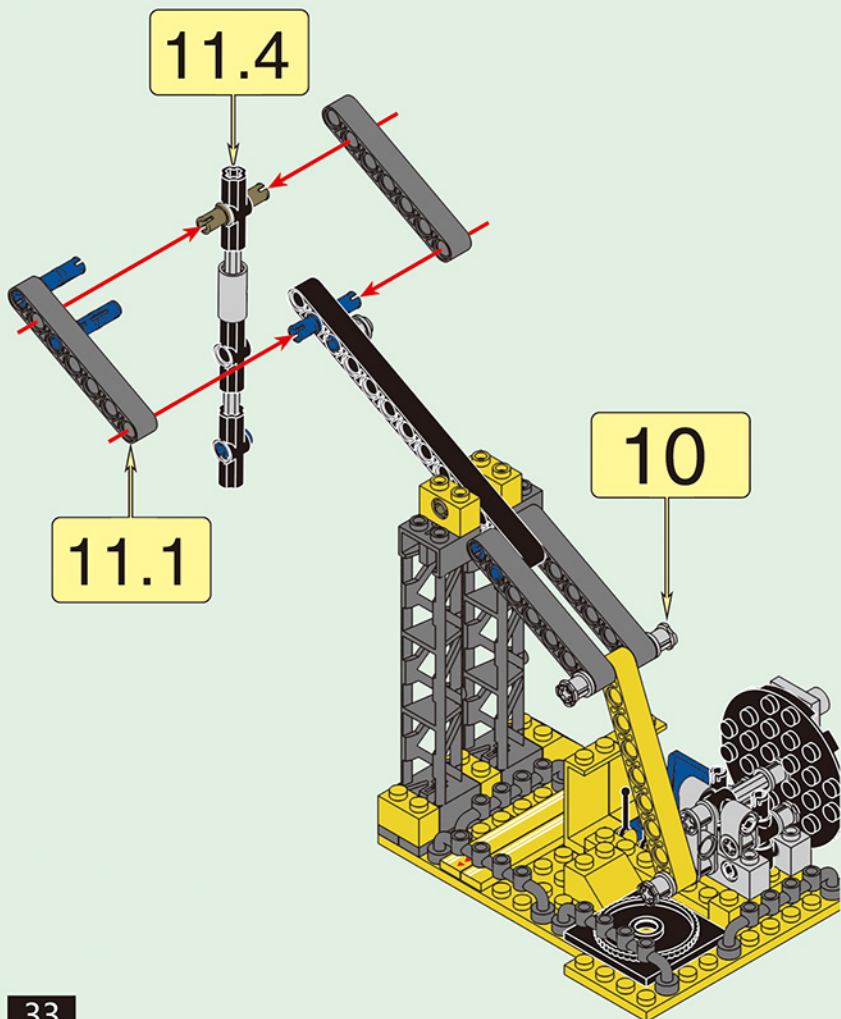


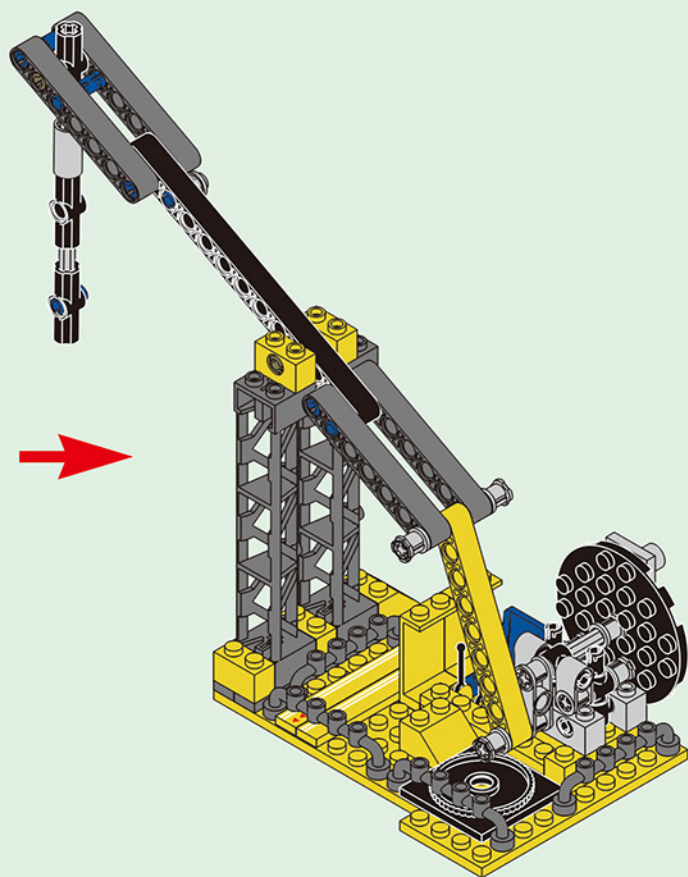
11.4



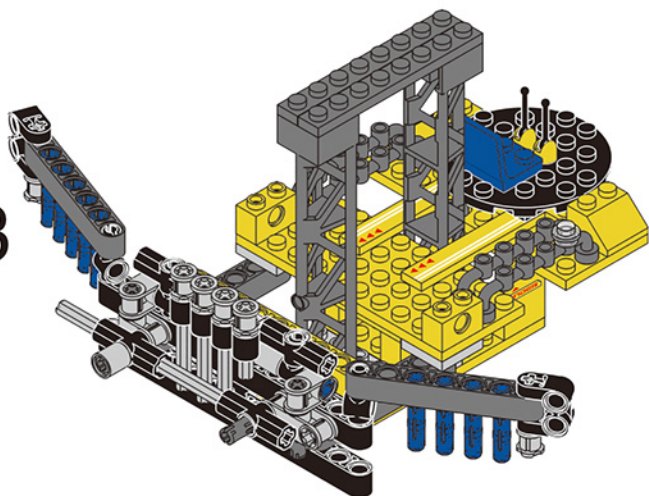


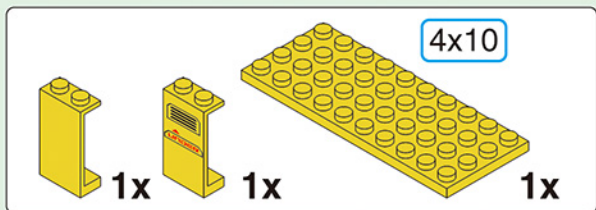
11



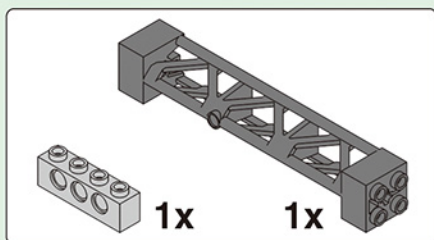
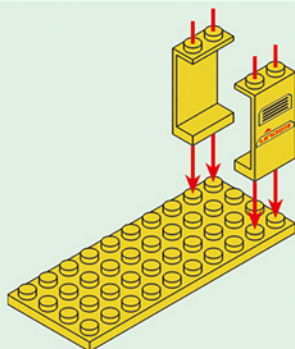


H-3

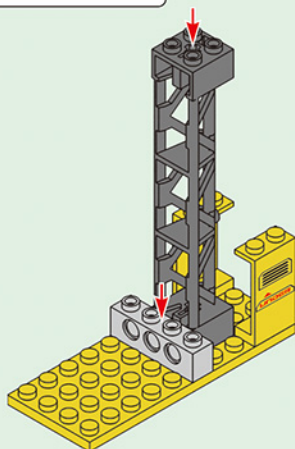


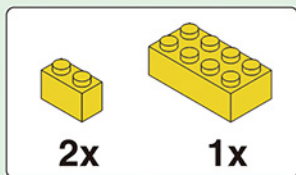


1

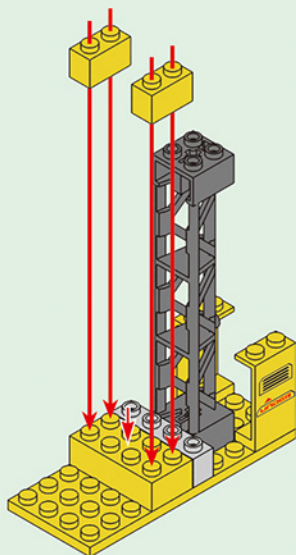


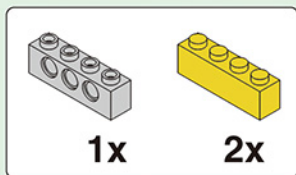
2



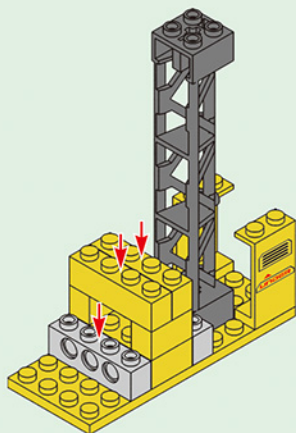


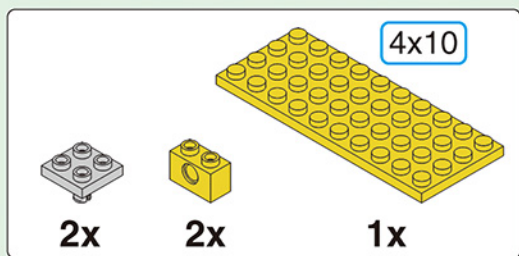
3



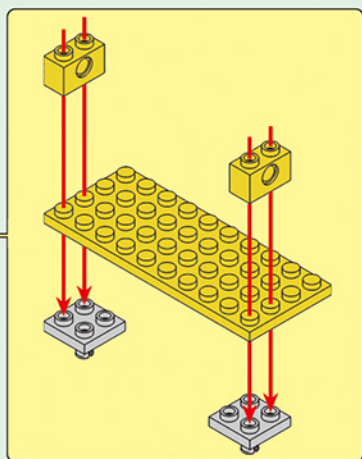
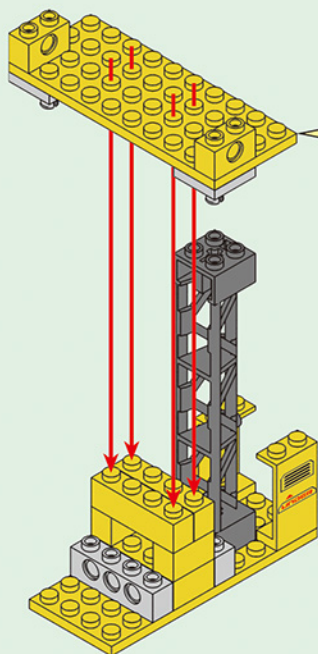


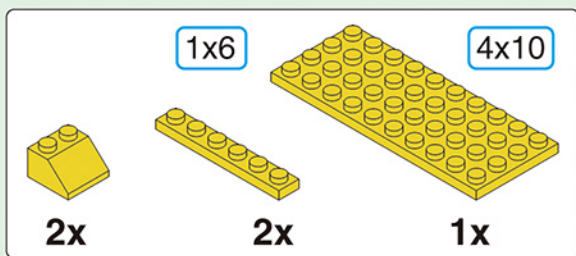
4



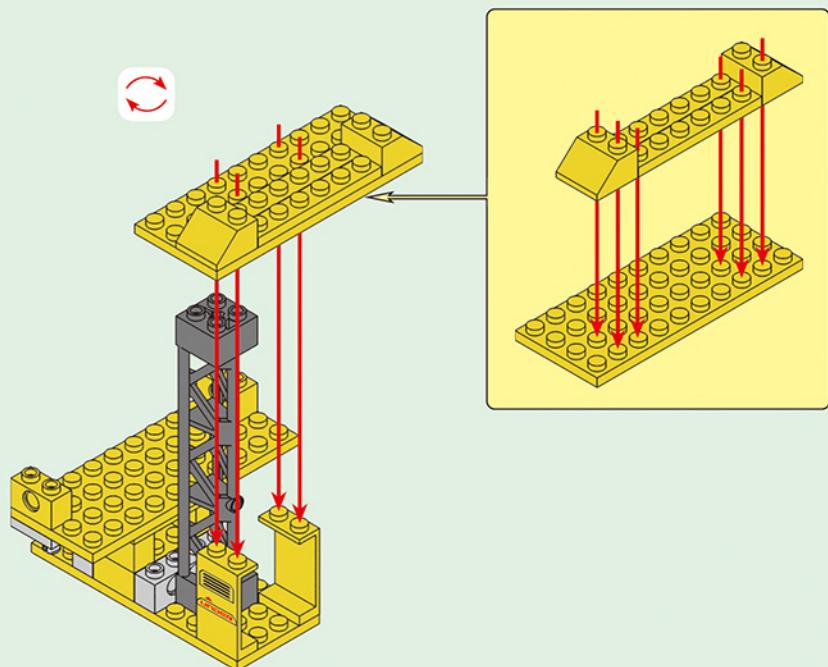


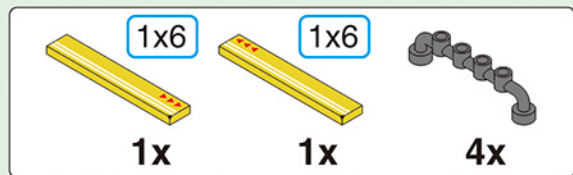
5



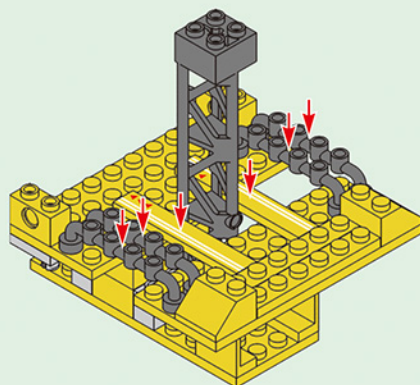


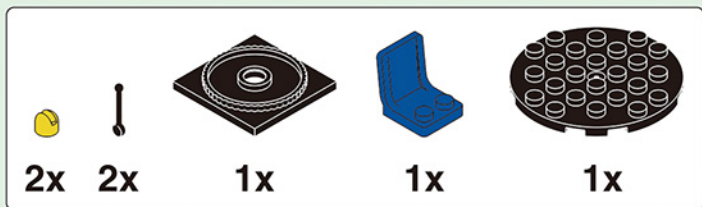
6



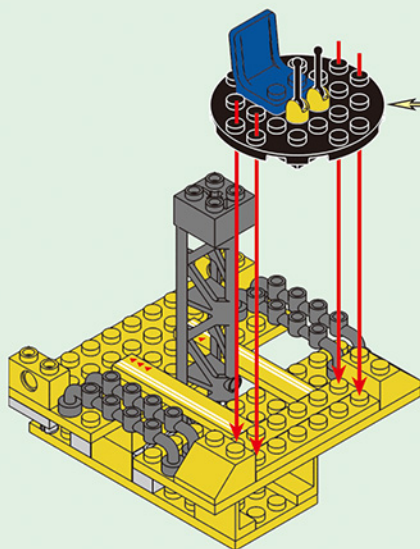
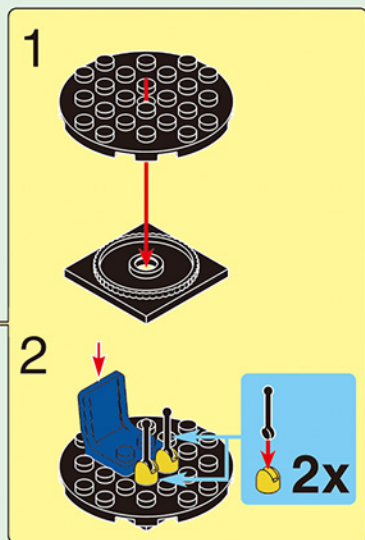


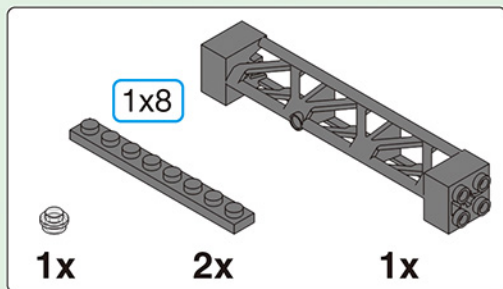
7



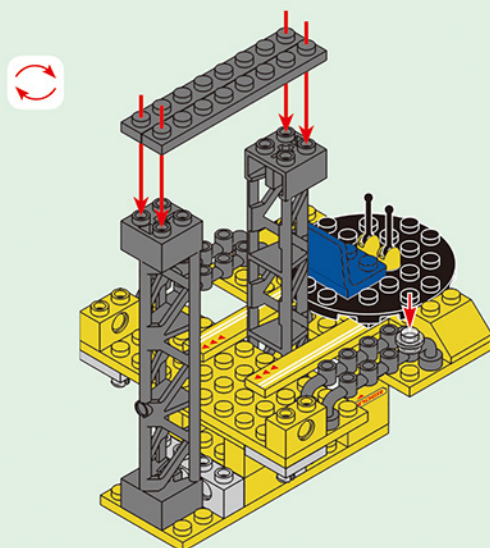


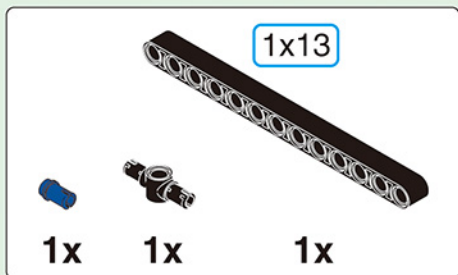
8



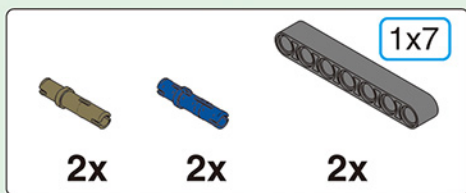
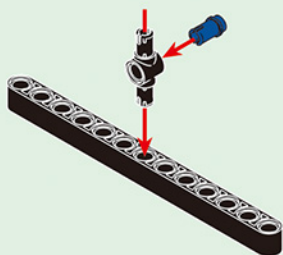


9

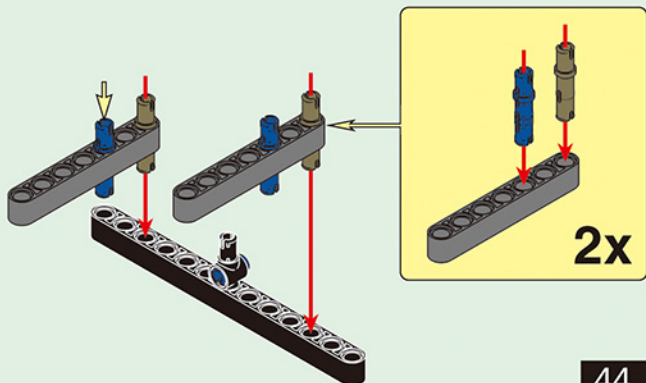


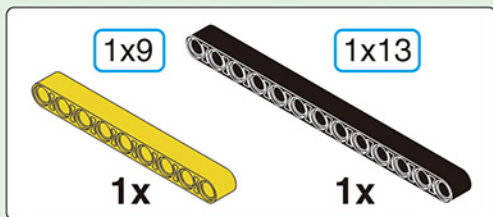


10.1

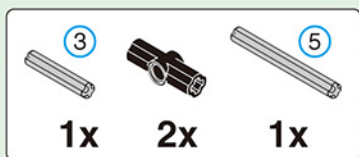
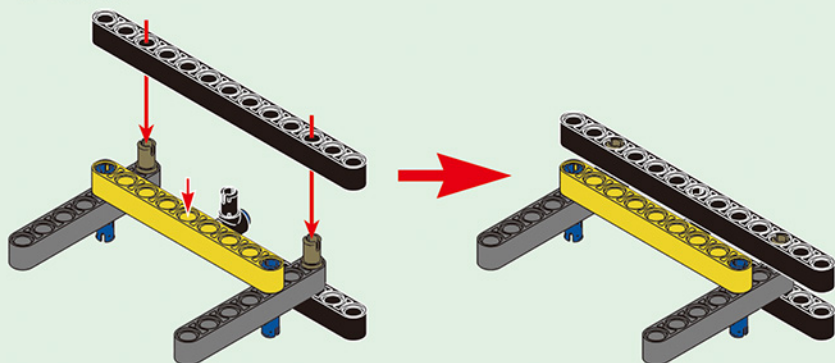


10.2

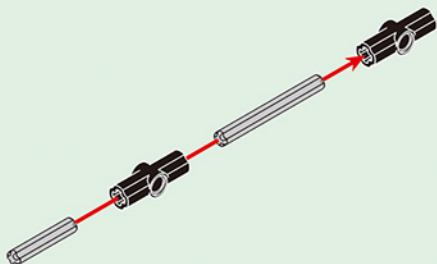
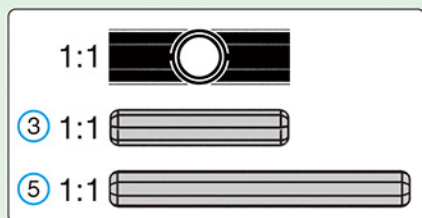


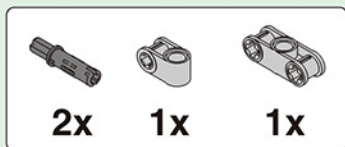


10.3

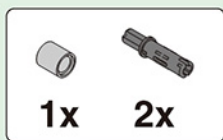
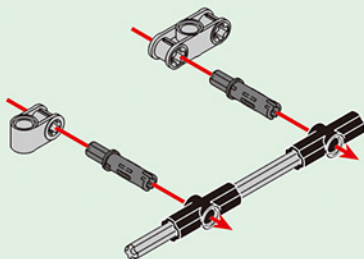


11.1

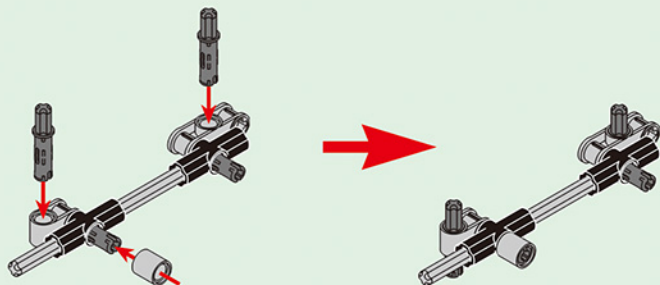




11.2

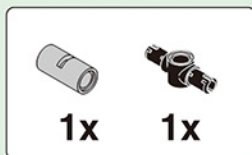
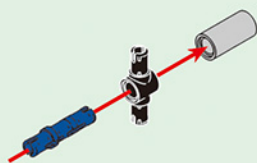


11.3

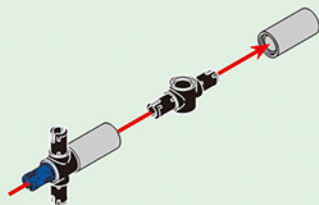




12.1

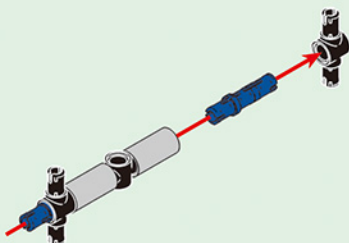


12.2

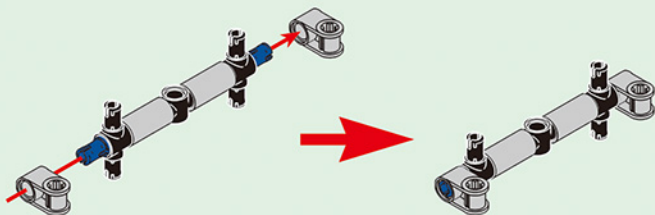




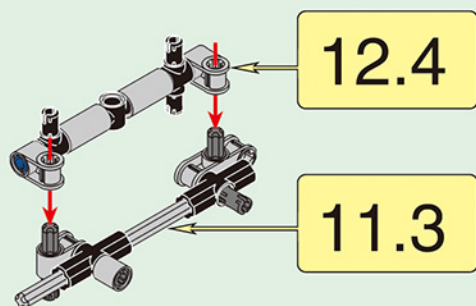
12.3



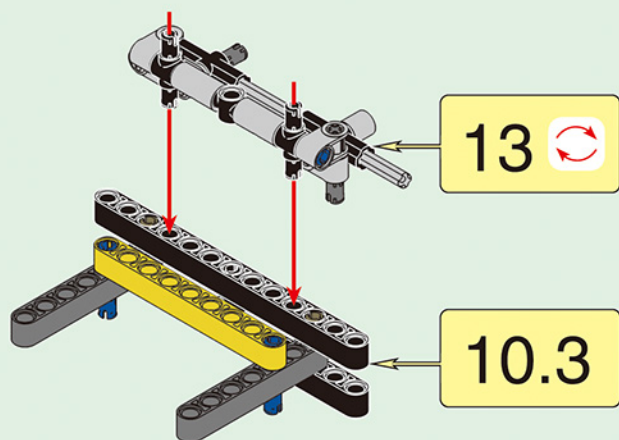
12.4

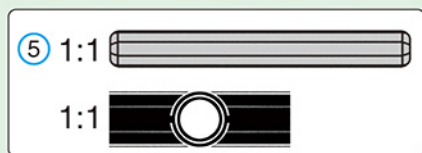
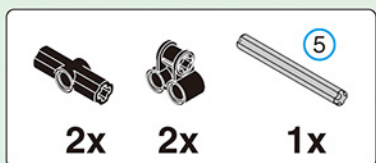


13

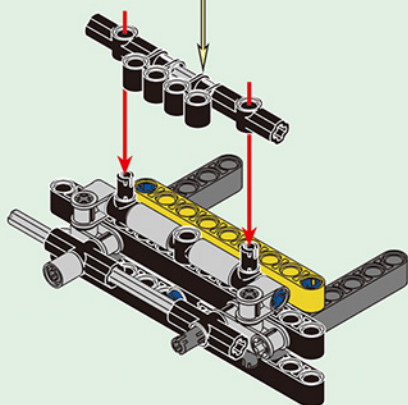
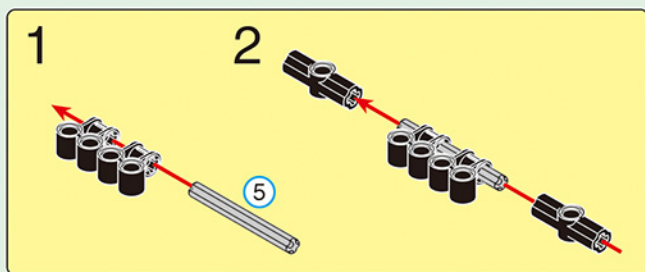


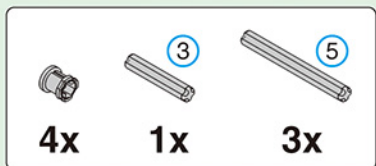
14



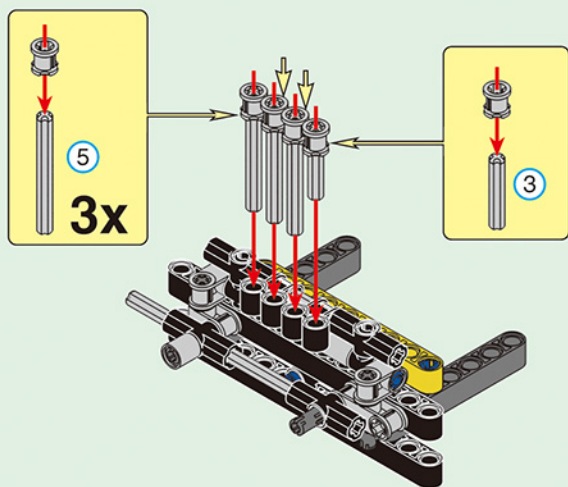


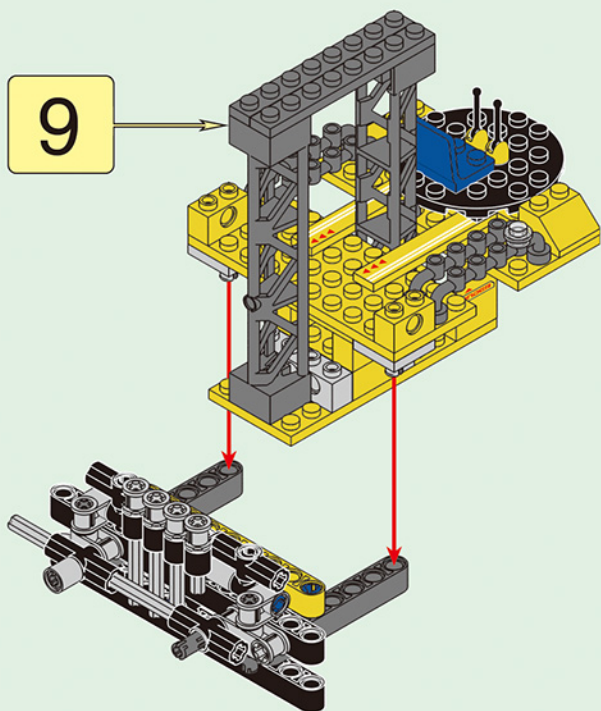
15





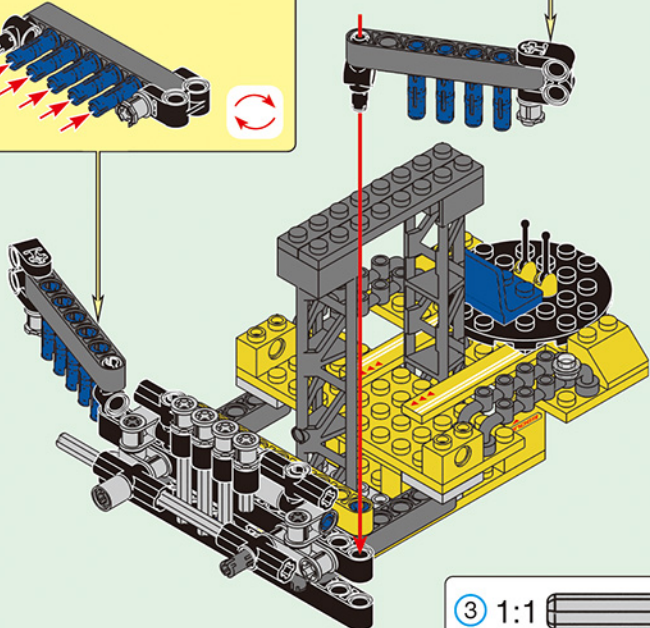
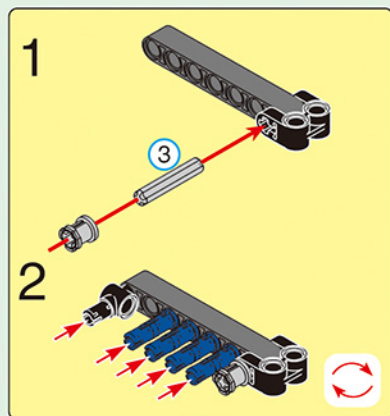
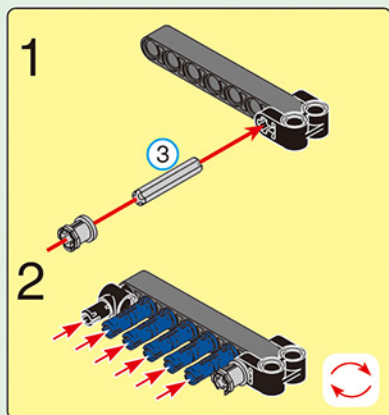
16

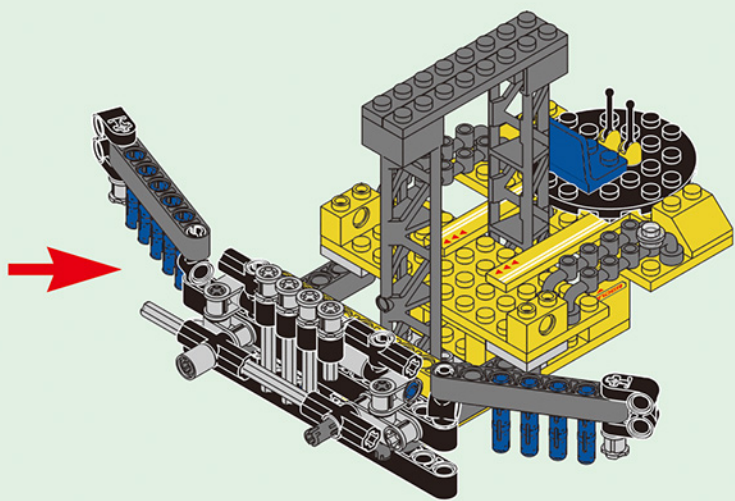






18





SET UP 8 TYPES OF GIANT EXCAVATOR >>>>

8 IN 1
COMBINATORIAL
DEFORMATION



[A]
BOX DUMP TRUCK



[B]
CRAWLER DOZER



[C]
HYDRAULIC LOADER



[H]
TOWER CRANE



[G]
TRANSPORT VEHICLE



[F]
CROSS COUNTRY VEHICLE



[E]
COMMAND CAR



[D]
TRACTOR