



# EXCAVATOR

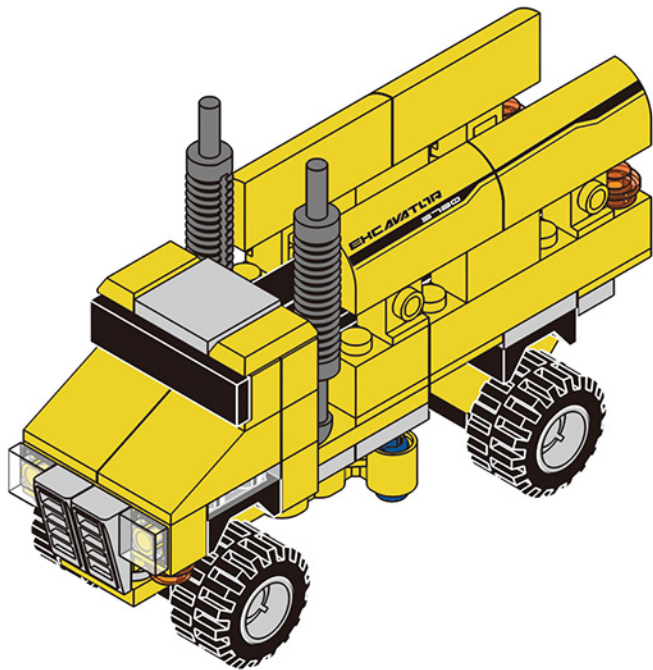
GIANT

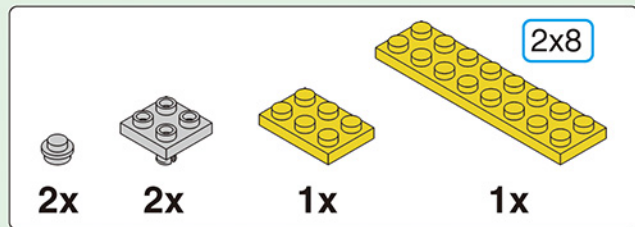
**XB-13002G**



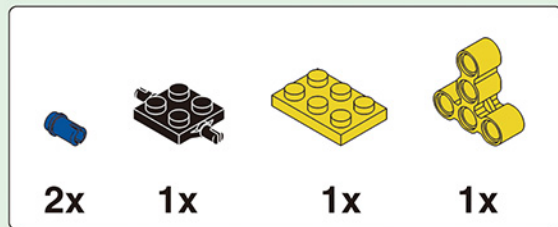
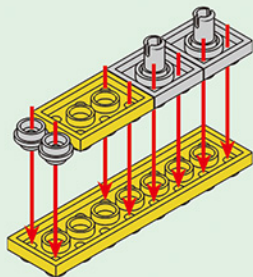
**TRANSPORT VEHICLE**

G-1

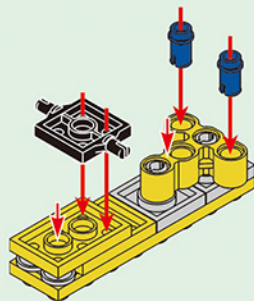




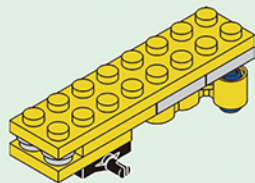
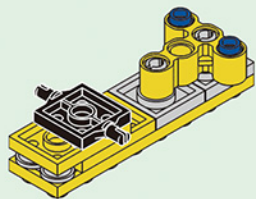
1.1



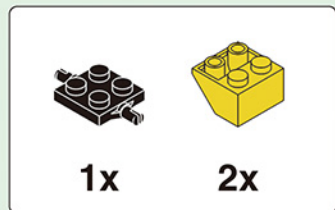
1.2



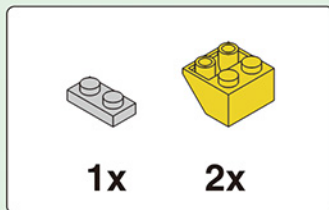
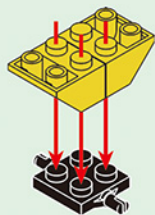
1



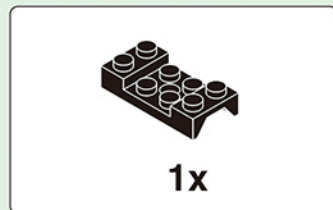
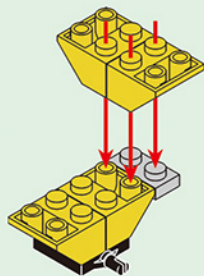
3



2.1

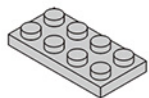


2.2



2.3

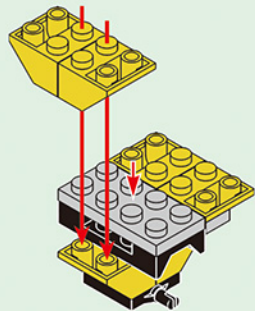




2x

1x

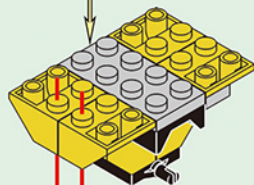
2.4



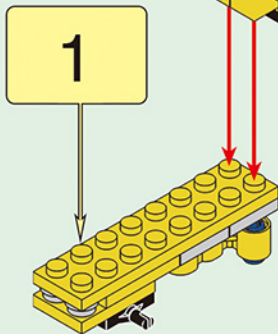
5

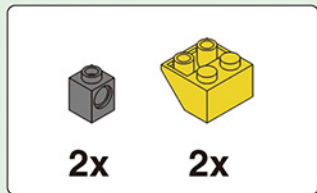
2

2.4

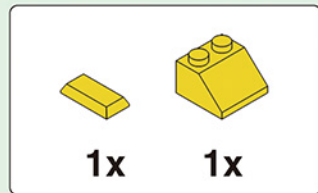
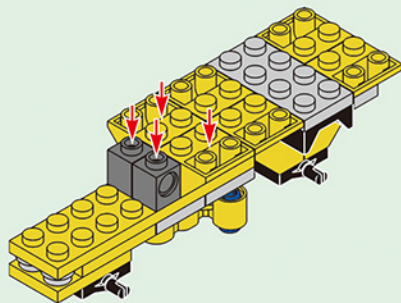


1

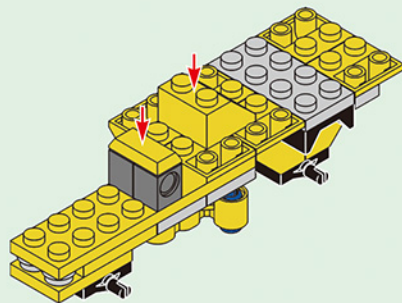


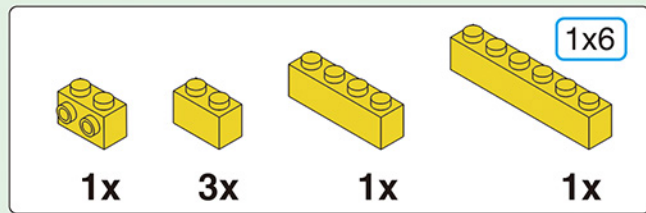


3

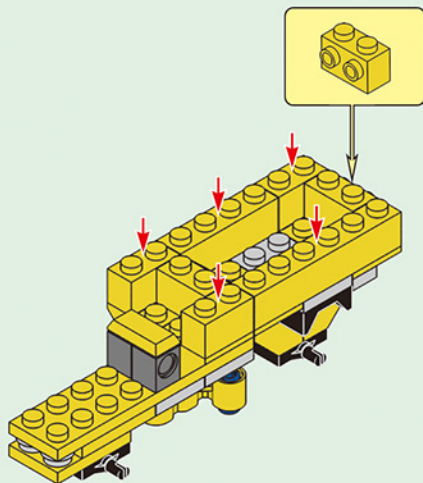


4

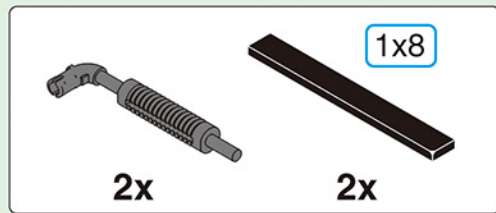




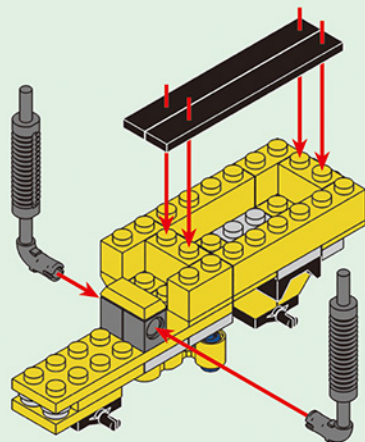
5



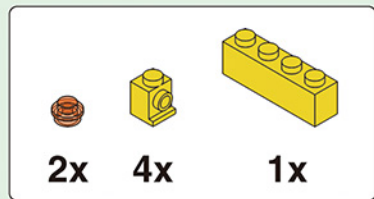
7



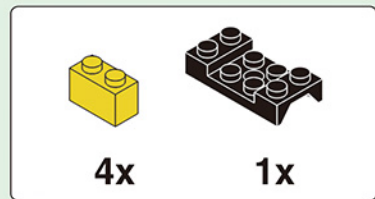
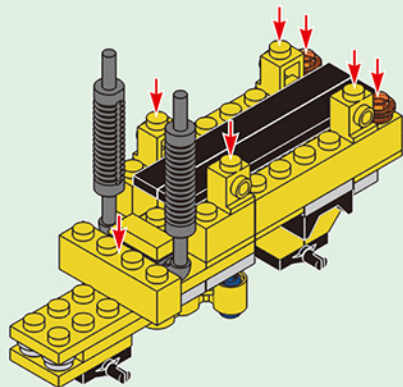
6



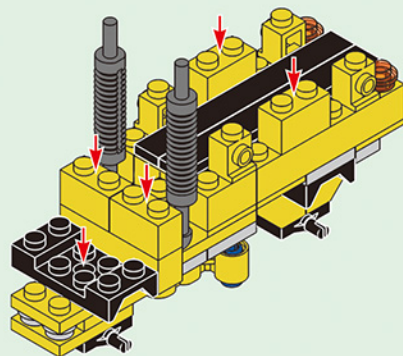


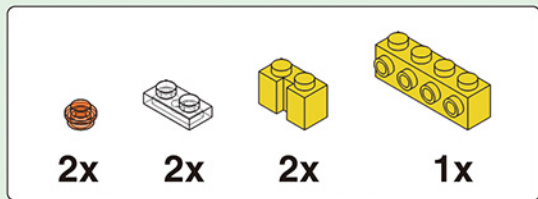


7

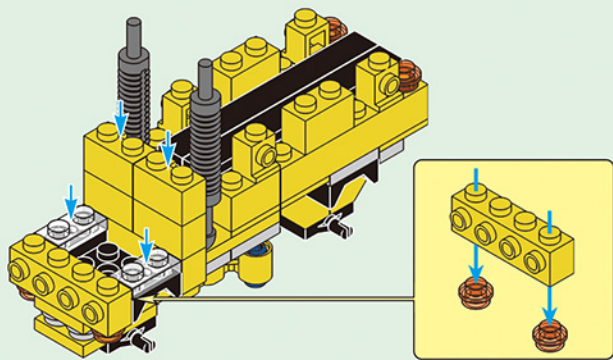


8

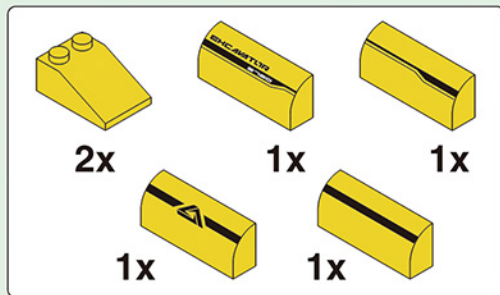




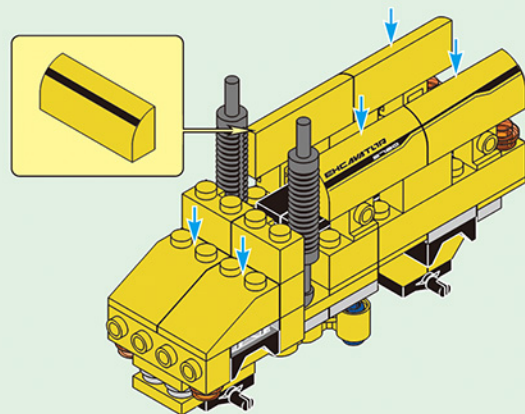
9

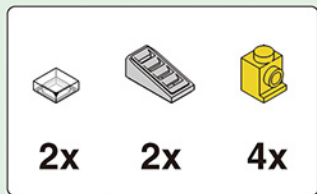


9

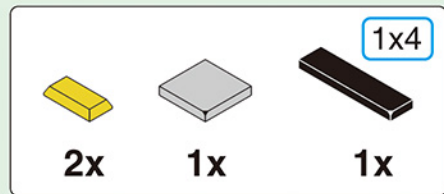
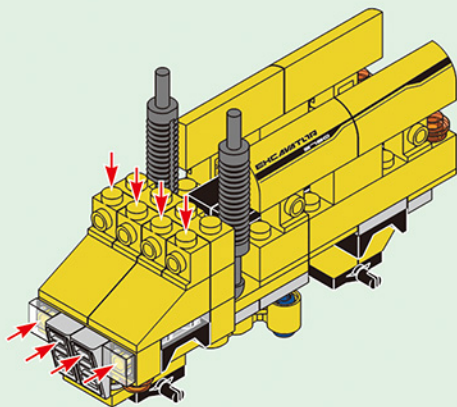


10

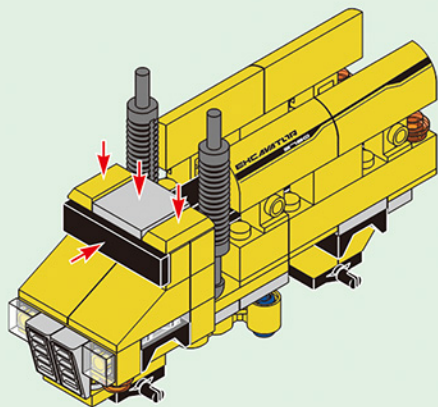




11



12



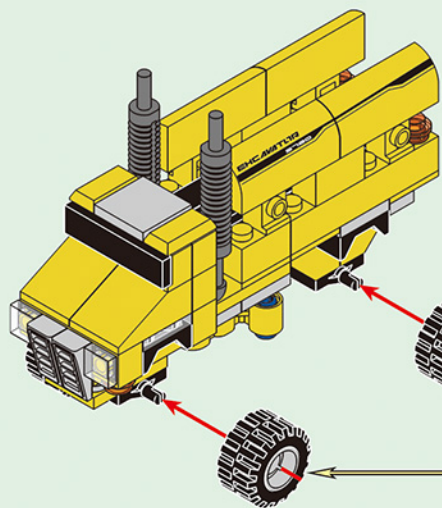


4x



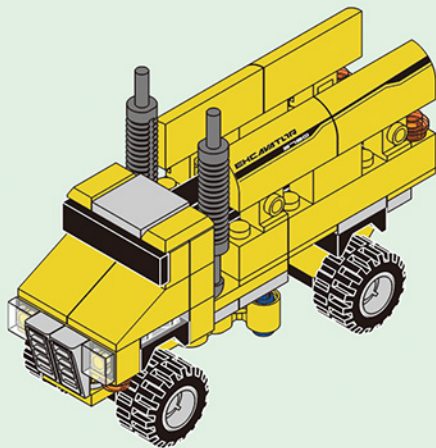
4x

13



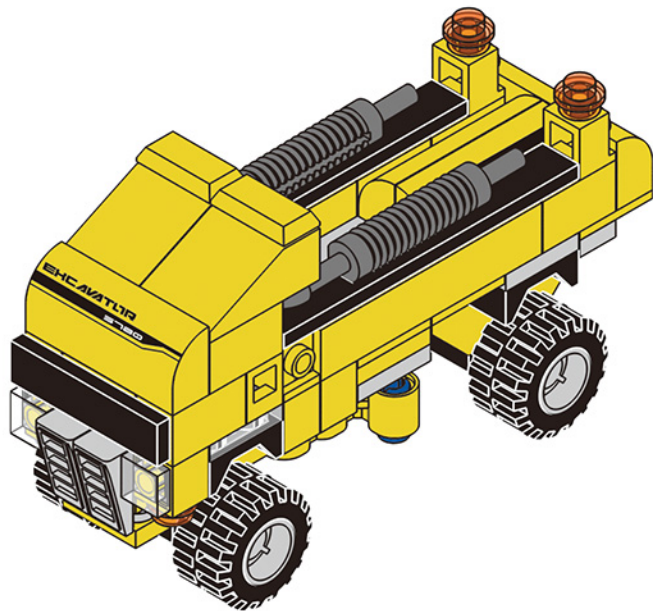
4x

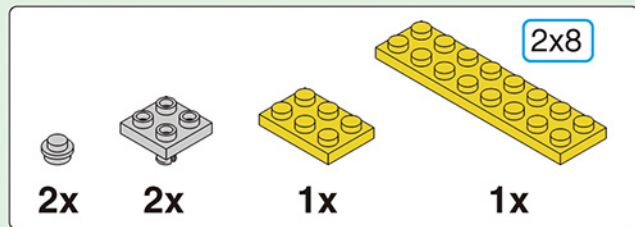
14



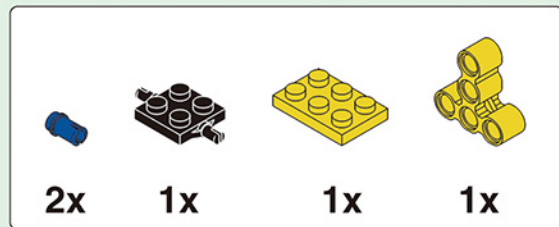
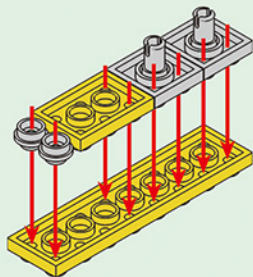
12

G-2

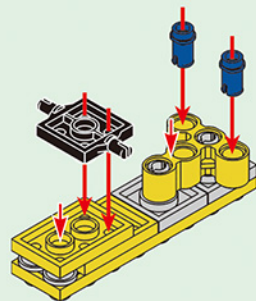




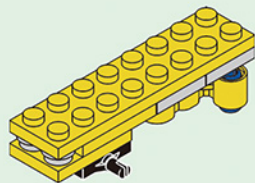
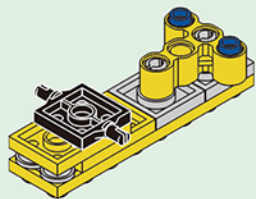
1.1



1.2

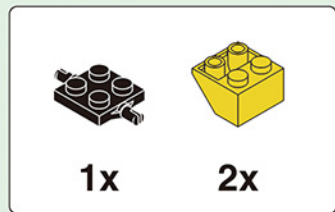


1

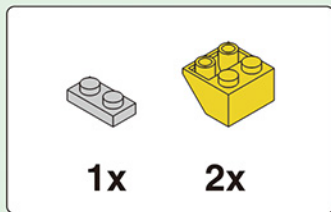
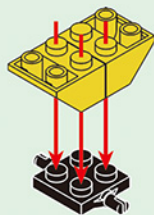


15

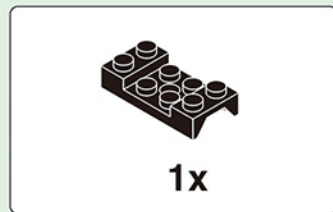
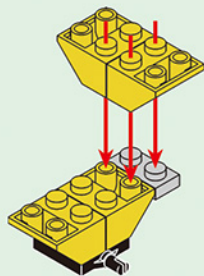




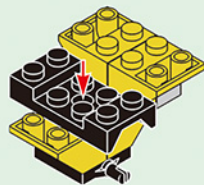
2.1

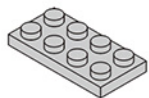


2.2



2.3

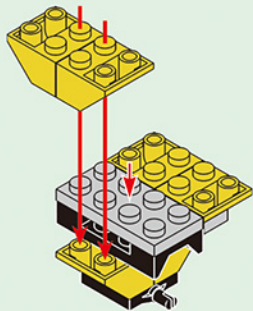




2x

1x

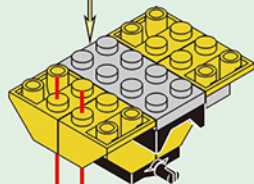
2.4



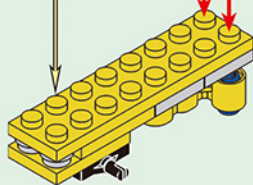
17

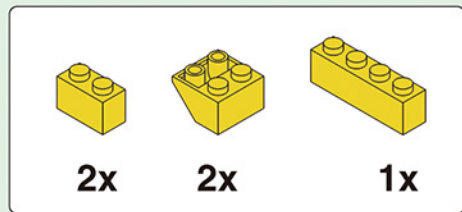
2

2.4

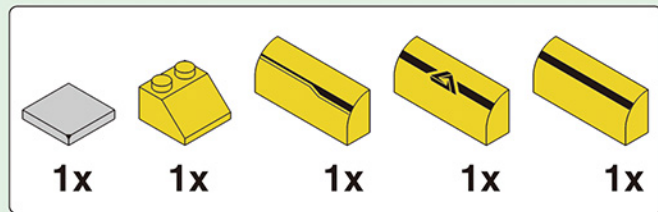
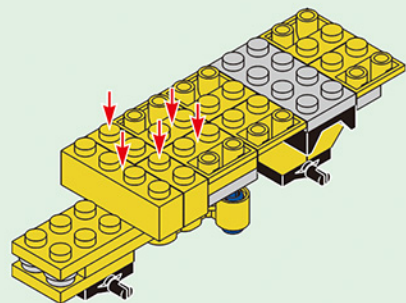


1

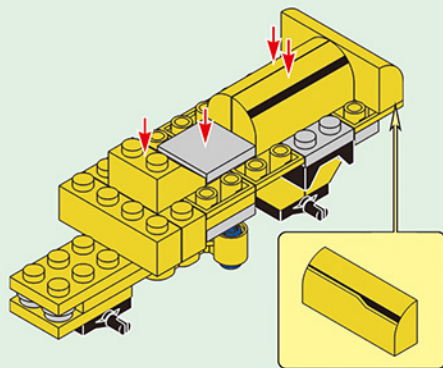




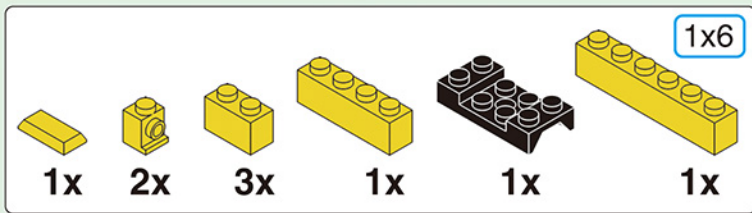
3



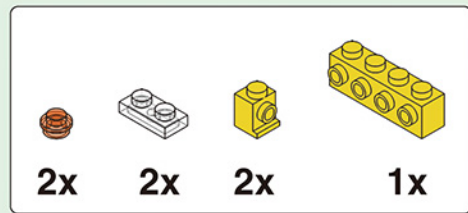
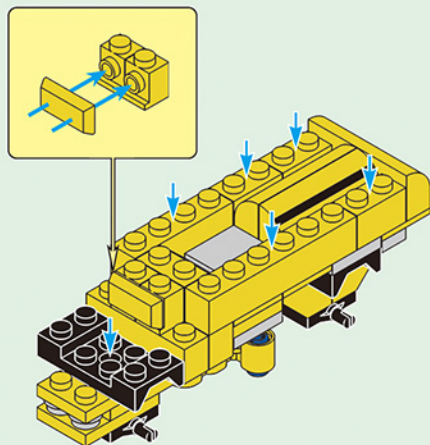
4



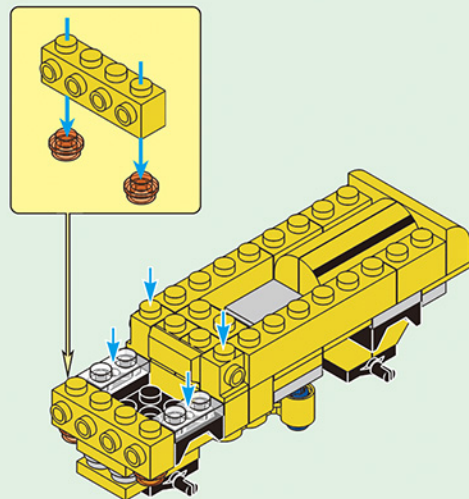
18

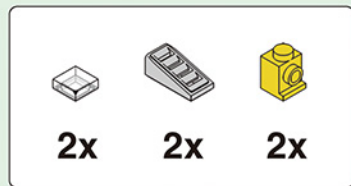


5

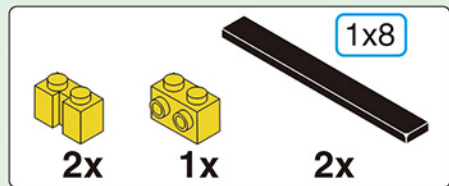
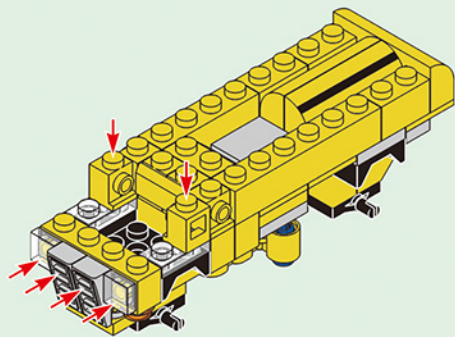


6

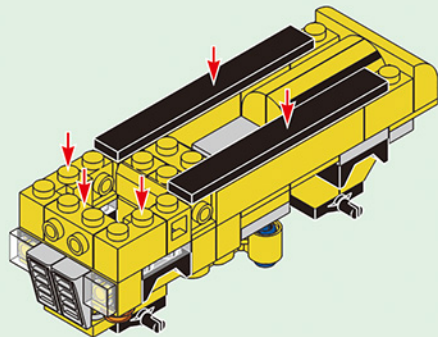


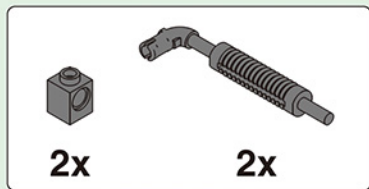


7

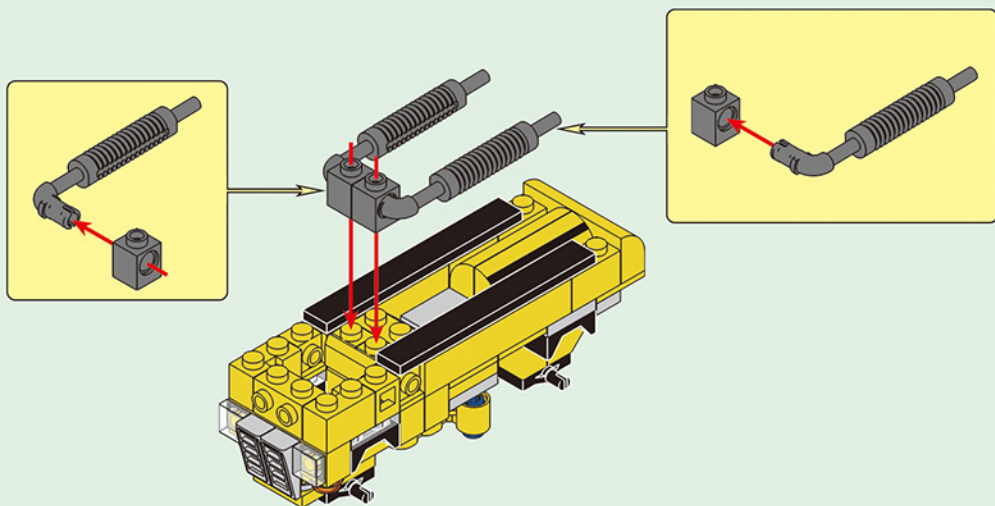


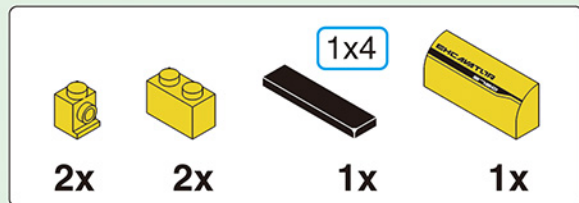
8



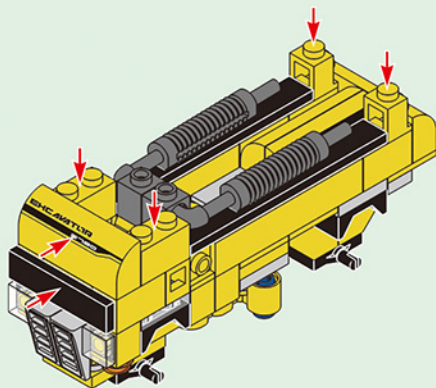


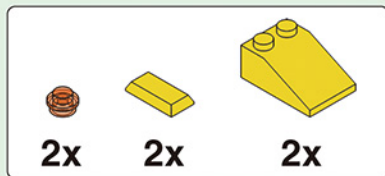
9



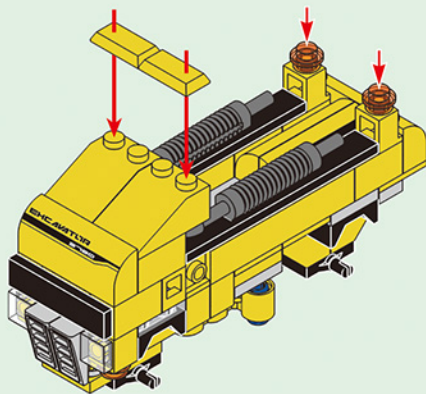


10

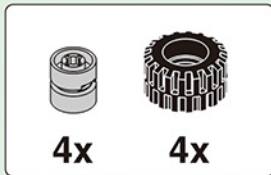




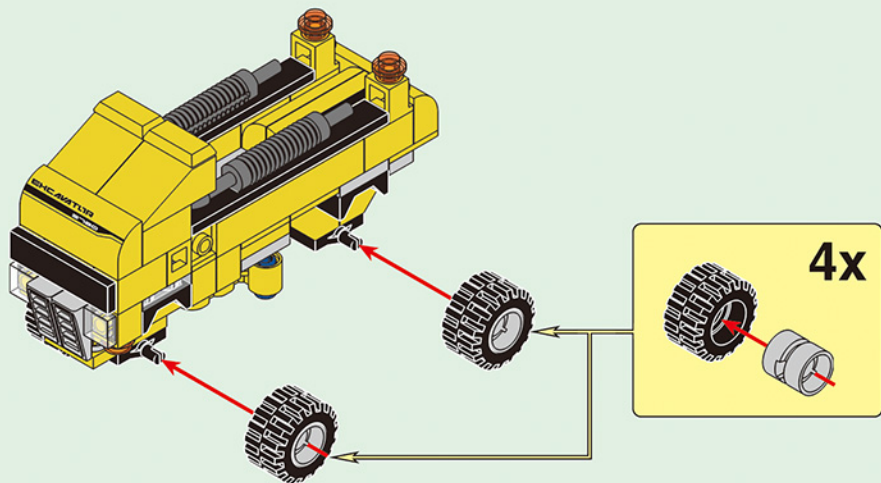
11



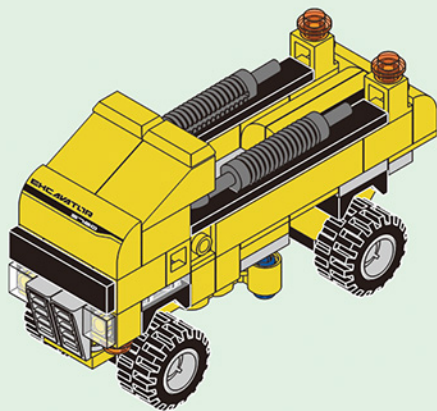




12

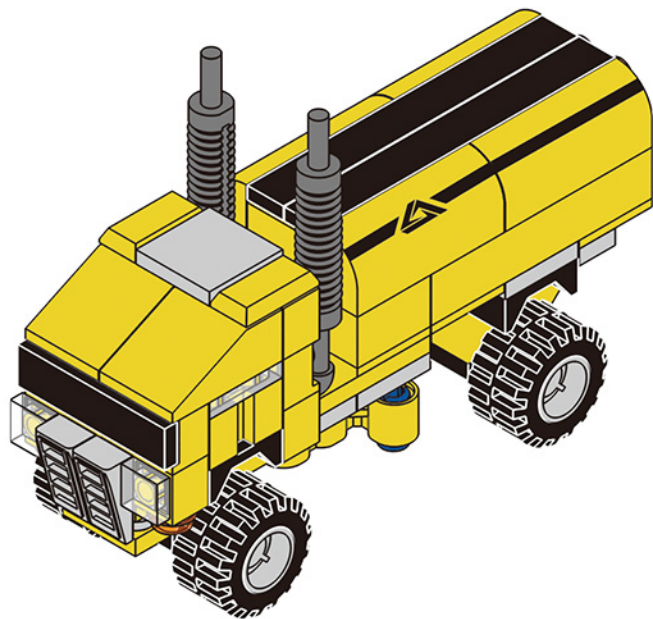


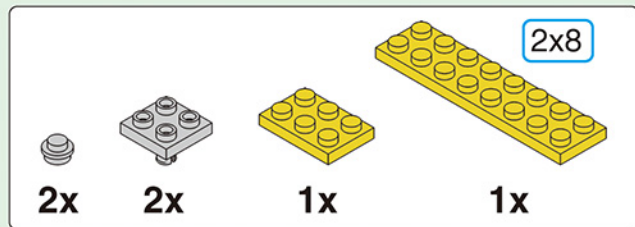
13



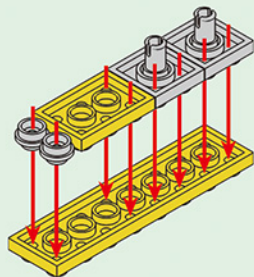
25

G-3

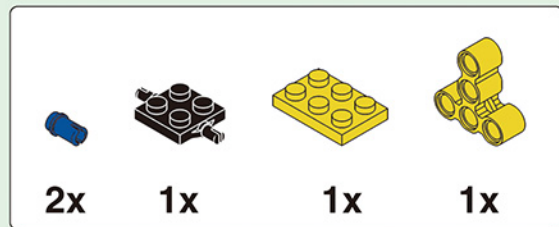




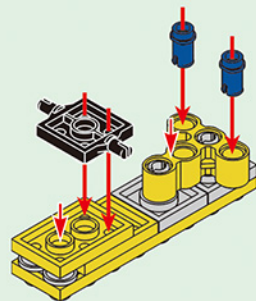
1.1



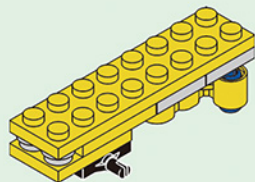
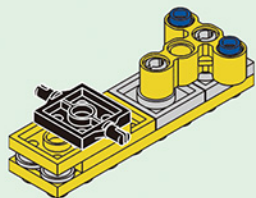
27

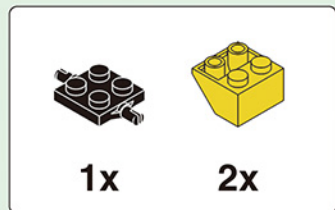


1.2

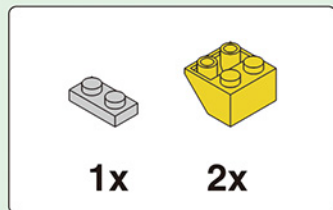
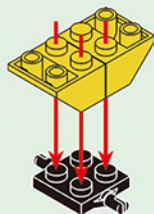


1

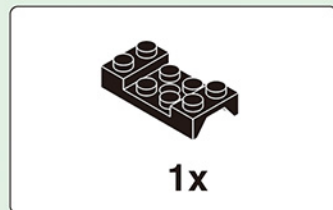
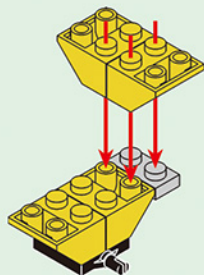




2.1

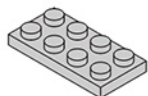


2.2



2.3

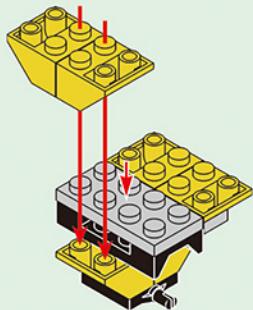




2x

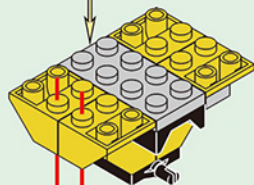
1x

2.4

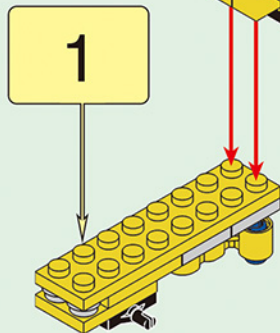


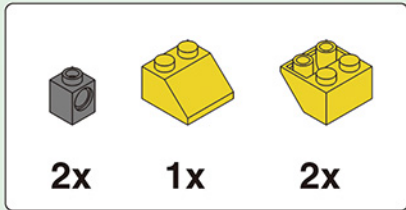
2

2.4

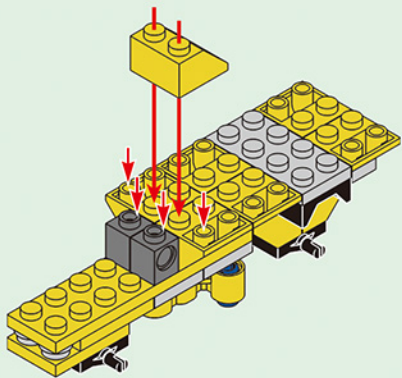


1

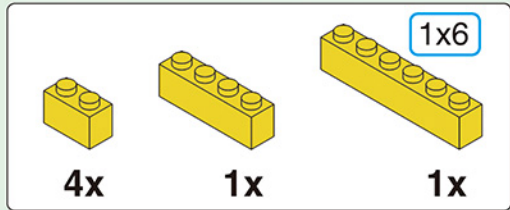




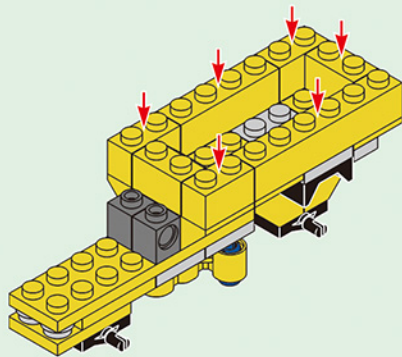
3



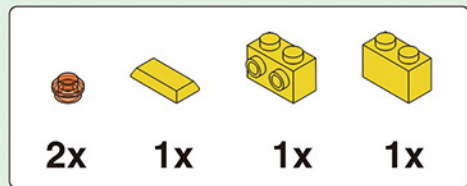
31



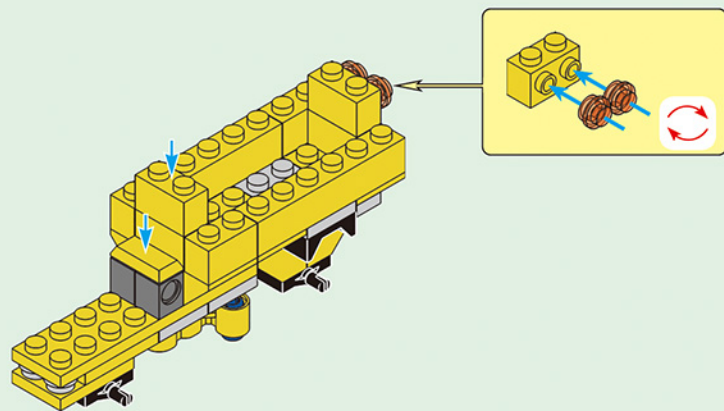
4







5





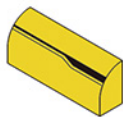
2x



1x



1x

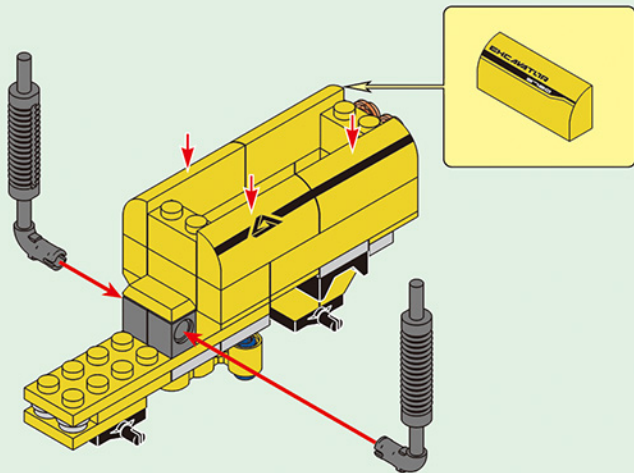


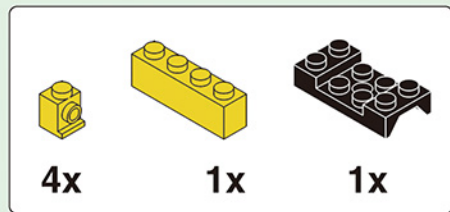
1x



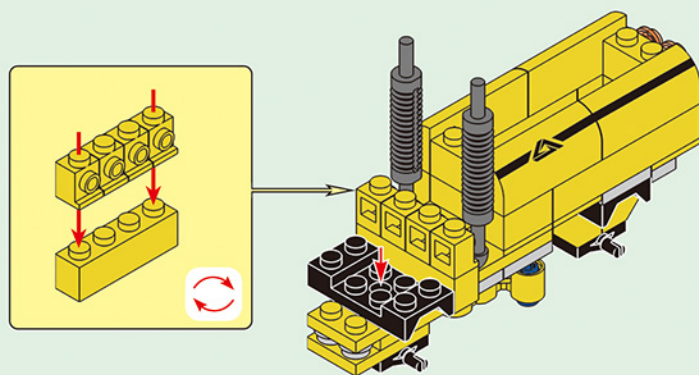
1x

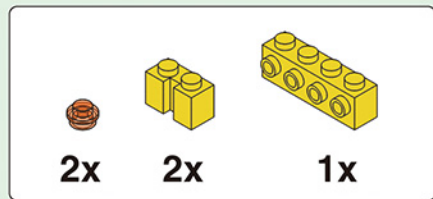
6



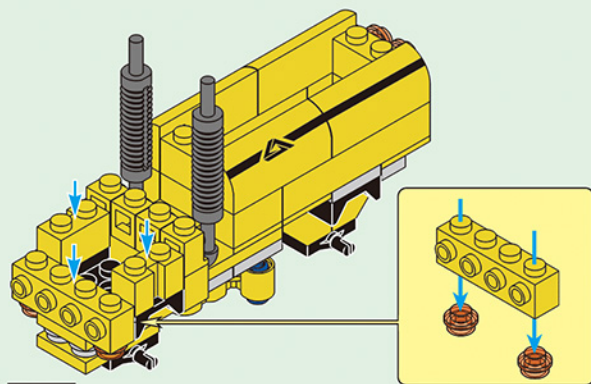


7

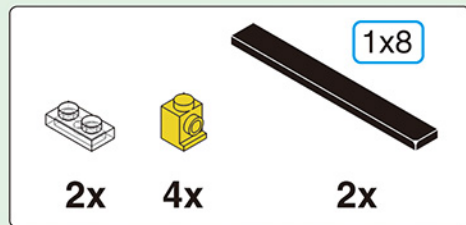




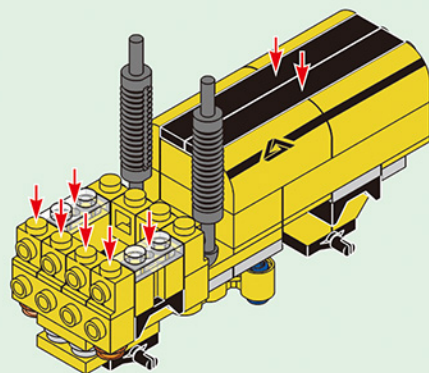
8

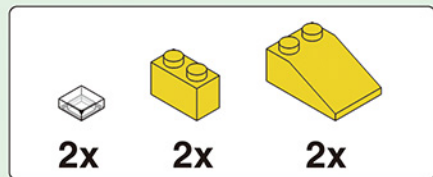


35

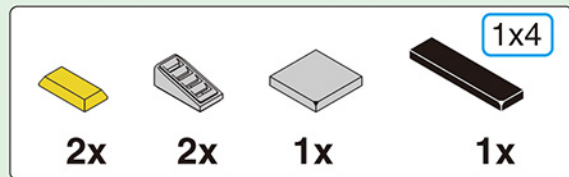
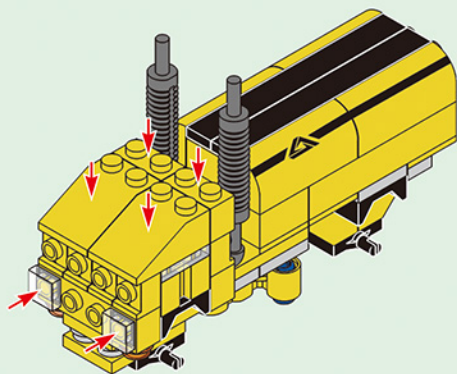


9

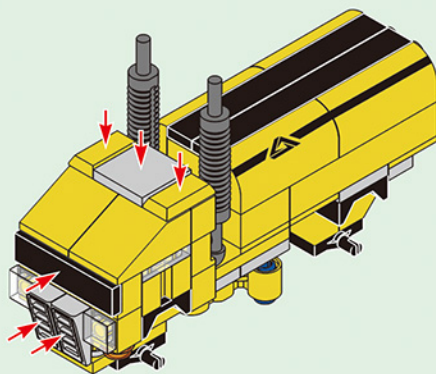


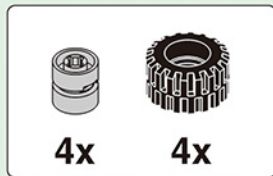


10

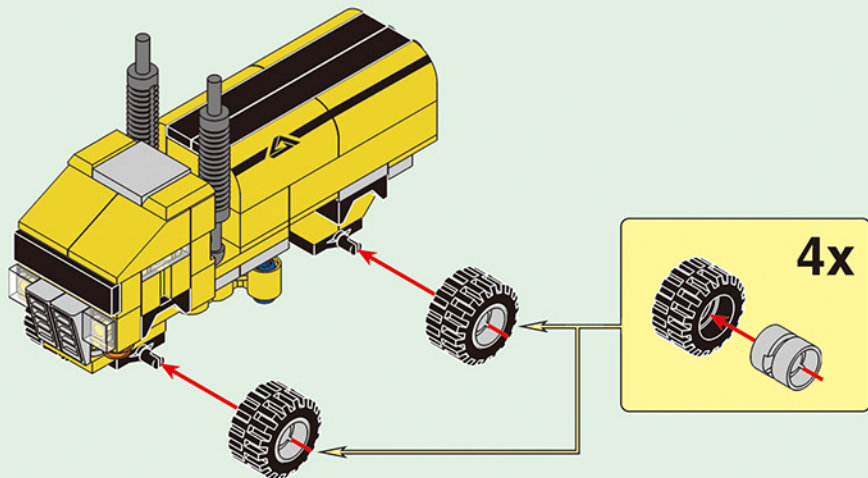


11

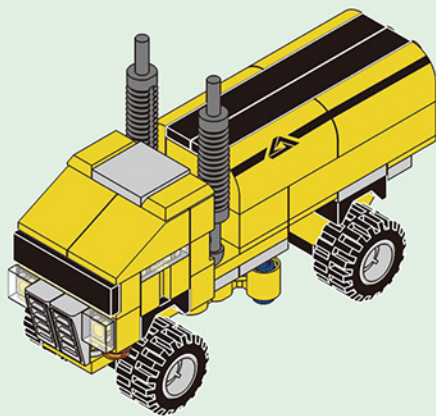




12



13



# SET UP 8 TYPES OF GIANT EXCAVATOR >>>>

**8 IN 1**  
COMBINATORIAL  
DEFORMATION



[A]  
BOX DUMP TRUCK



[B]  
CRAWLER DOZER



[C]  
HYDRAULIC LOADER



[H]  
TOWER CRANE



[G]  
TRANSPORT VEHICLE



[F]  
CROSS COUNTRY VEHICLE



[E]  
COMMAND CAR



[D]  
TRACTOR