



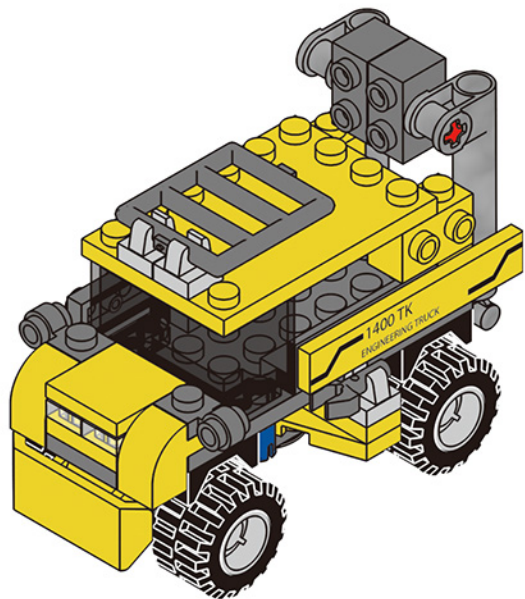
EXCAVATOR GIANT

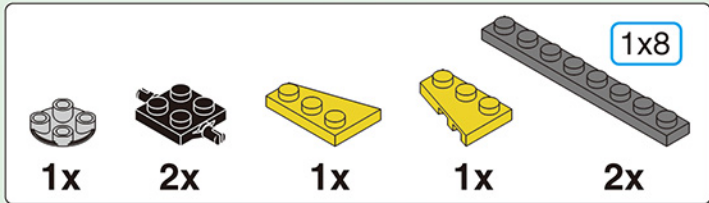
XB-13002D



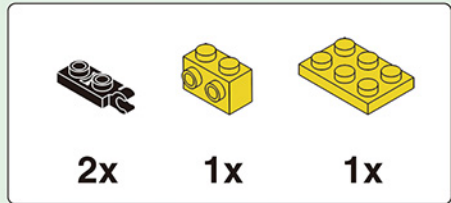
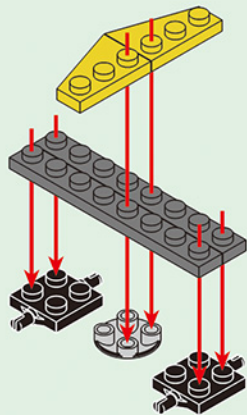
TRACTOR

D-1

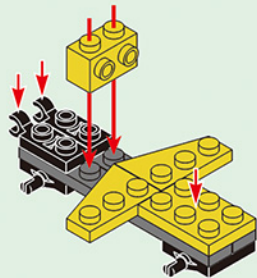




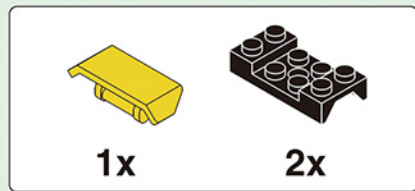
1



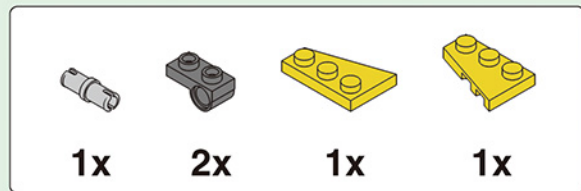
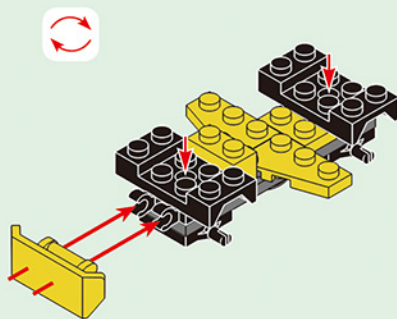
2



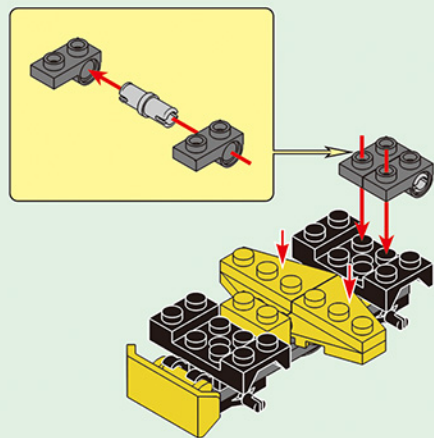
2

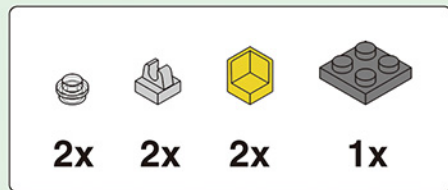


3

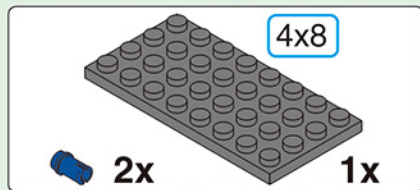
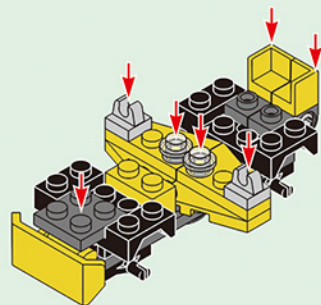


4

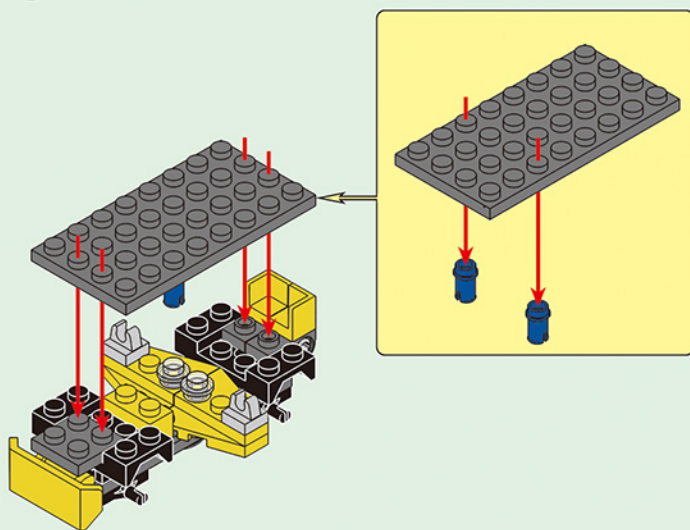




5



6





1x

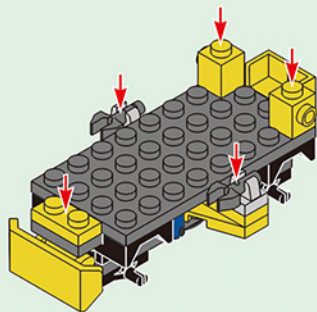


2x



2x

7



5



1x

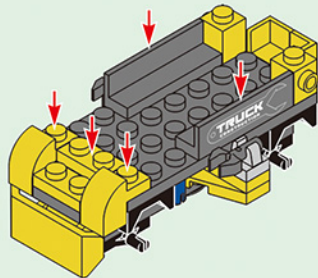


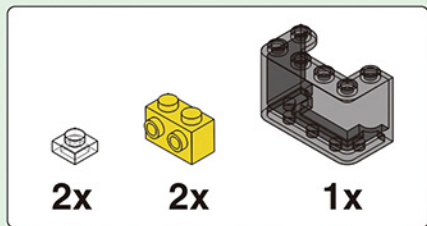
2x



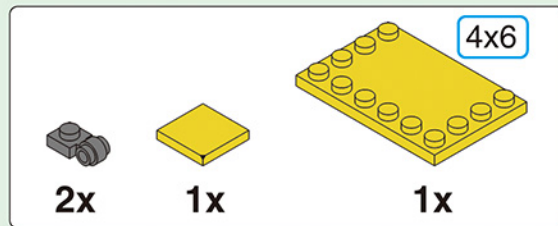
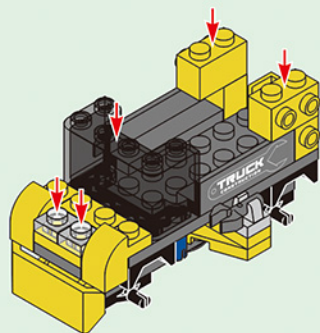
2x

8

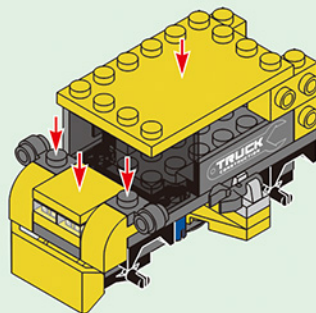




9



10





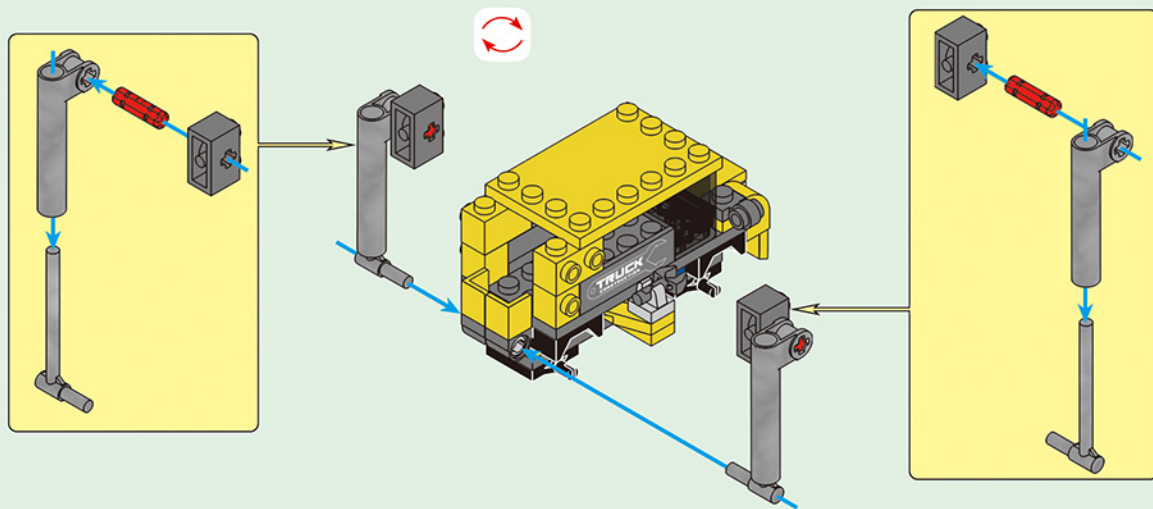
2x

2x

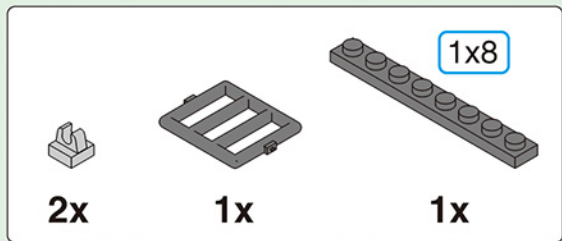
2x

2x

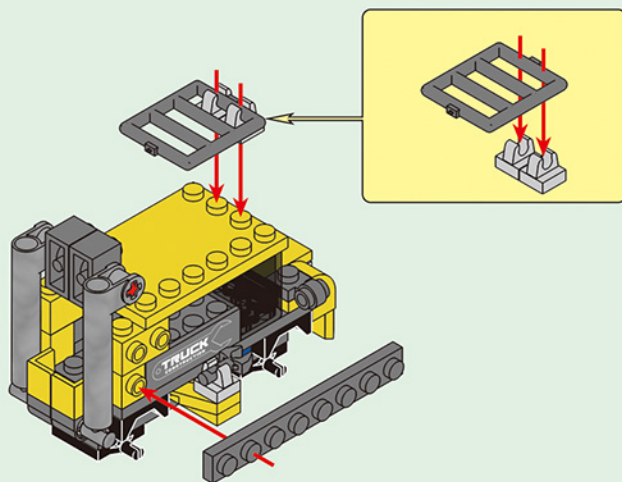
11



7



12



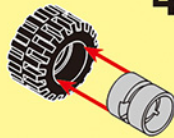
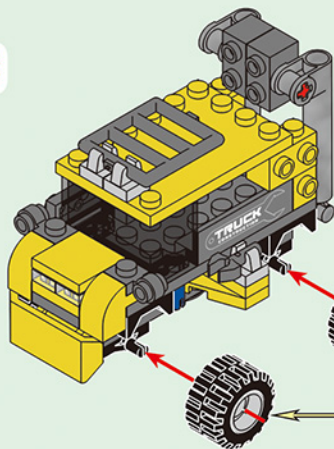


4x

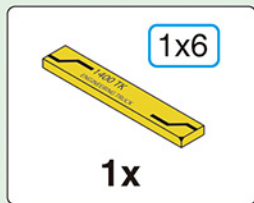


4x

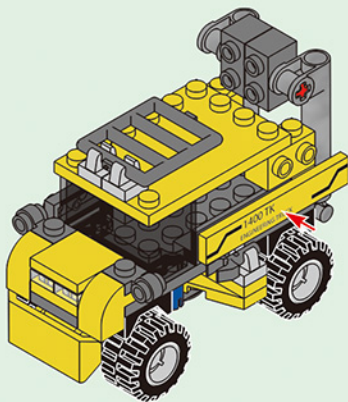
13



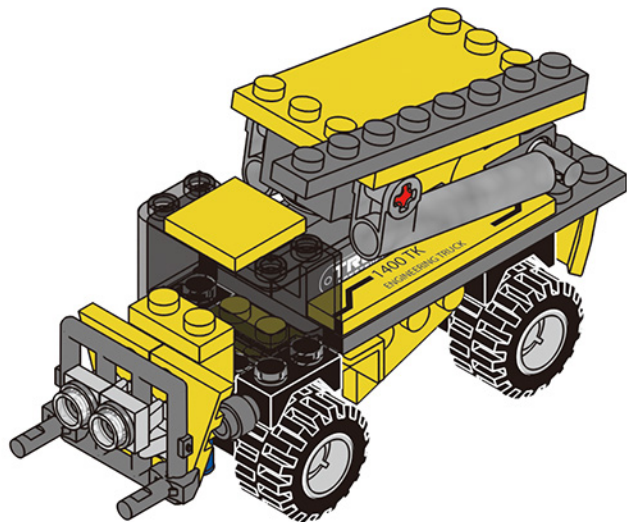
4x

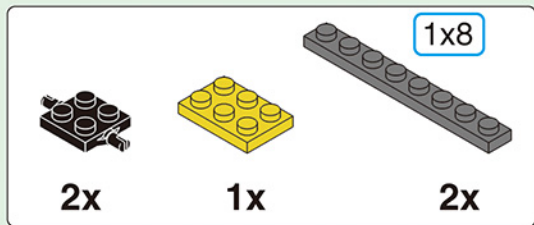


14

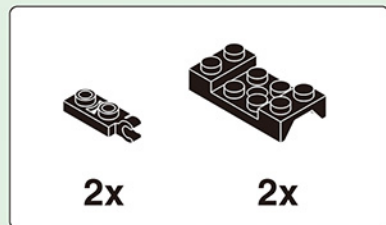
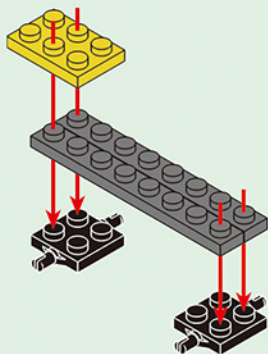


D-2

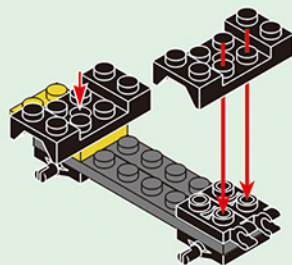




1



2





1x

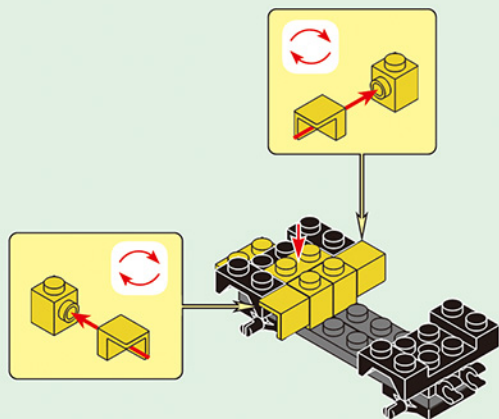


2x

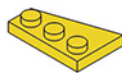


2x

3



13



1x



2x

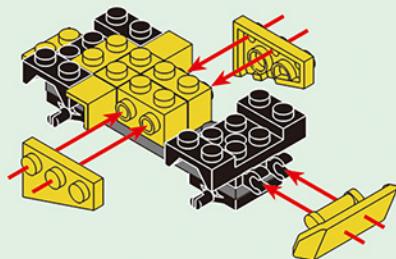


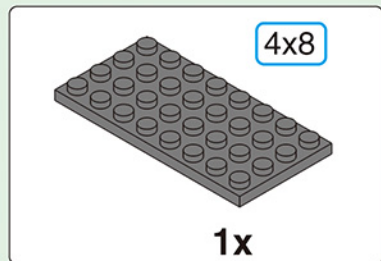
1x



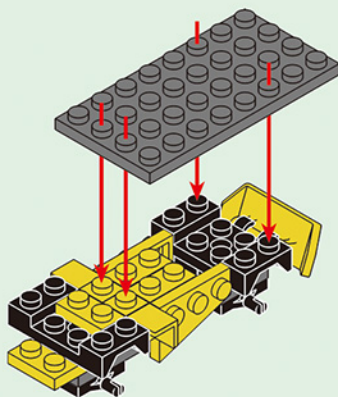
1x

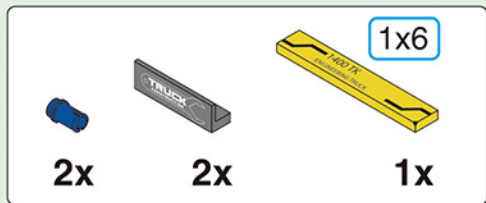
4



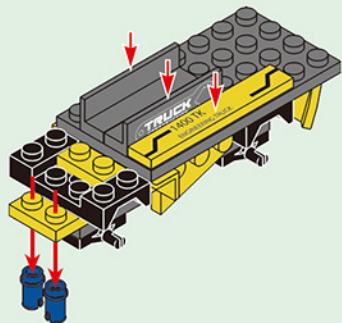


5

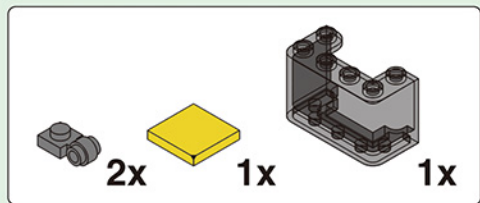




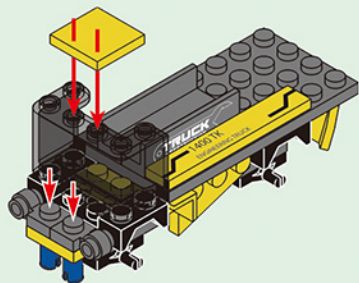
6

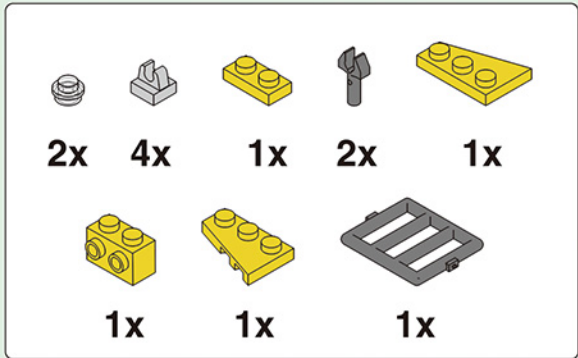


15

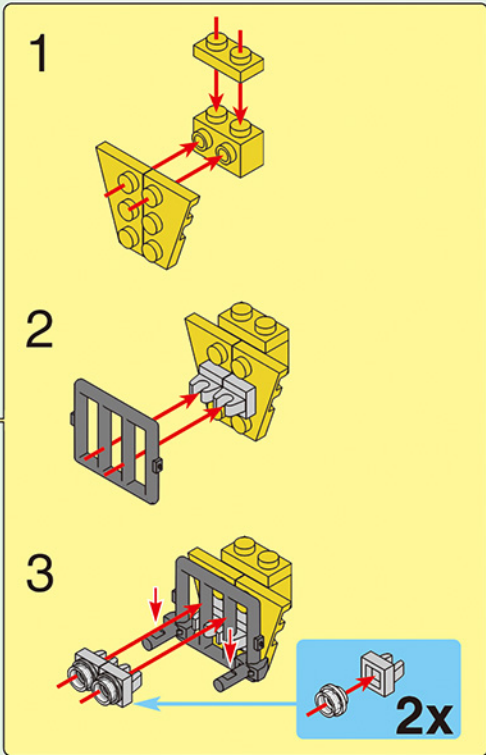
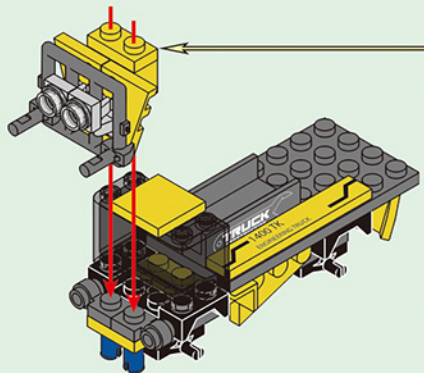


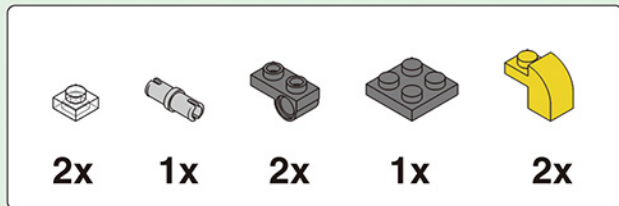
7



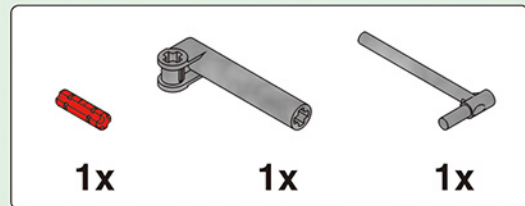
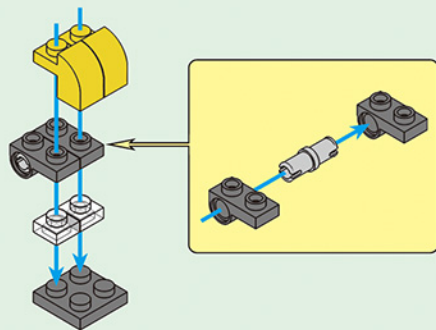


8

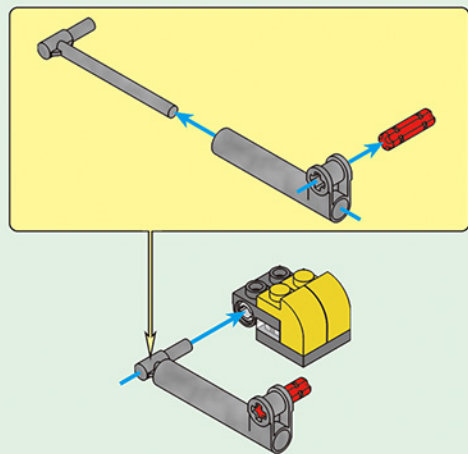


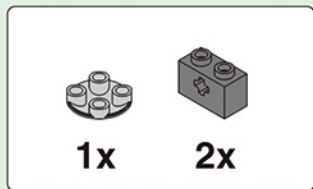


9.1

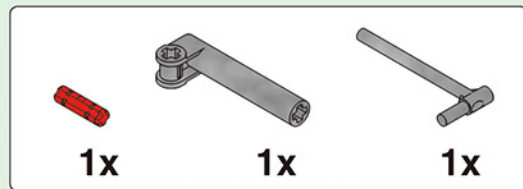
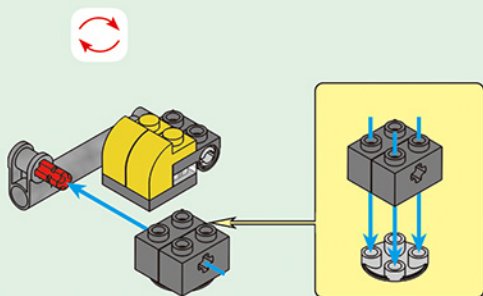


9.2

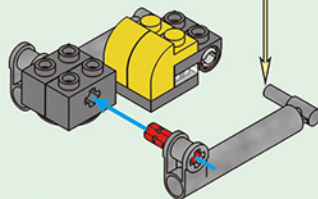
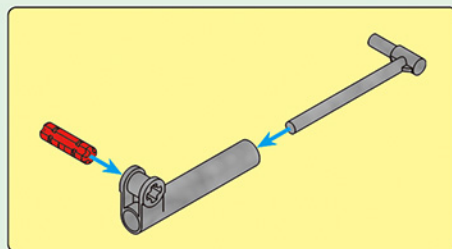


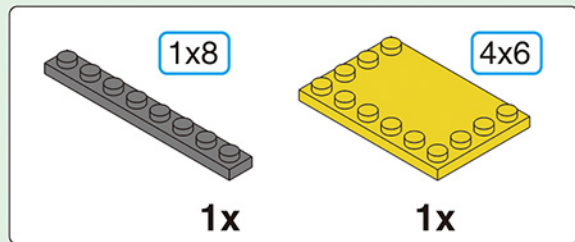


9.3

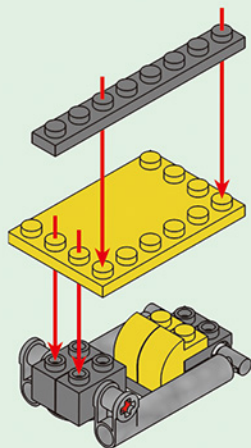


9.4



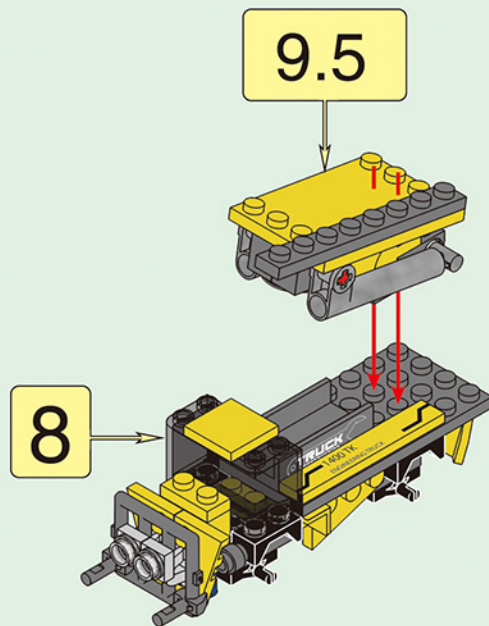


9.5



19

9



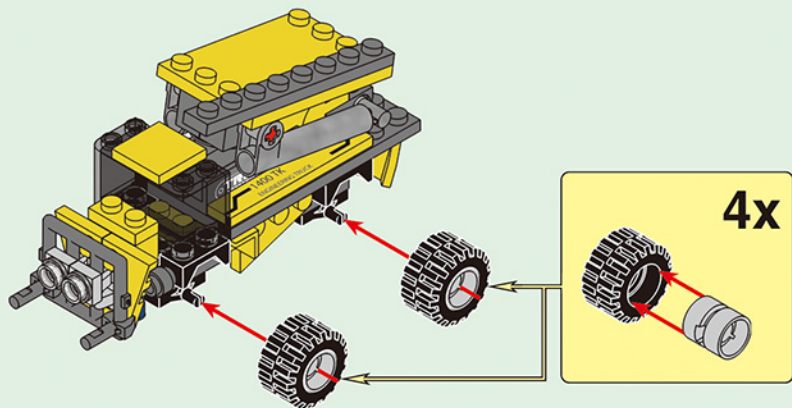


4x

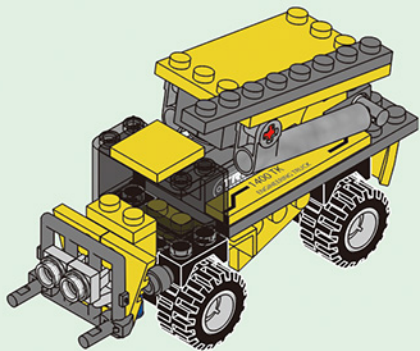


4x

10

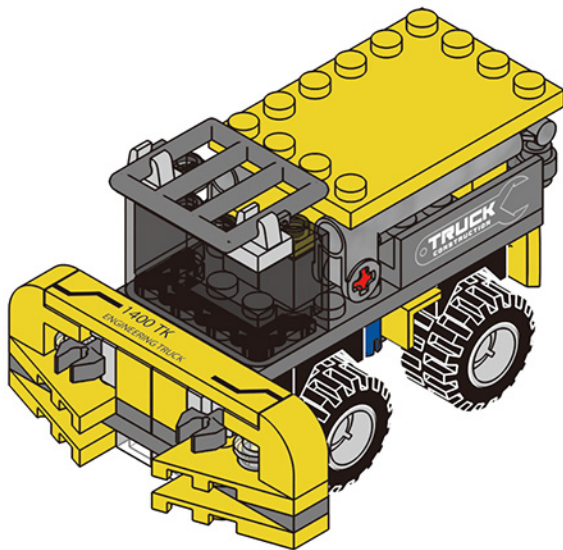


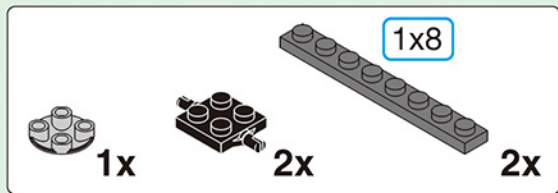
11



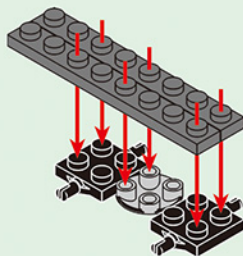
21

D-3

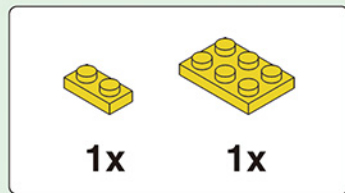




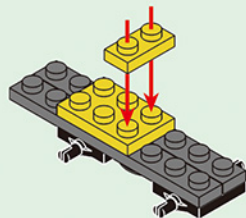
1



23



2





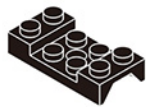
2x



2x

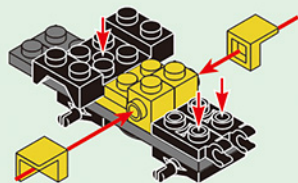


2x



1x

3



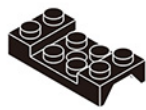
1x



1x

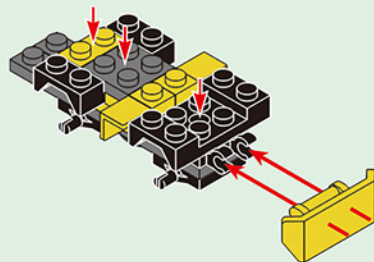


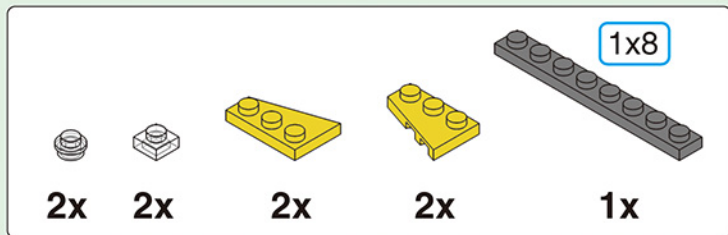
1x



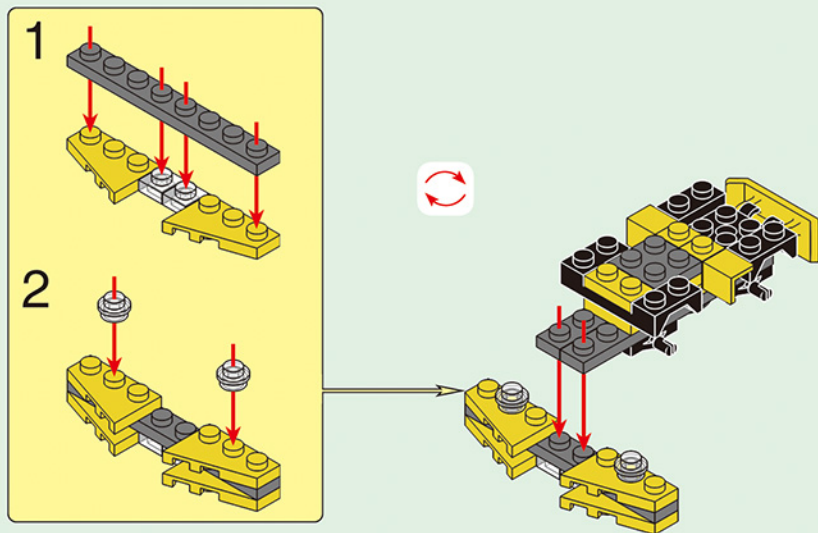
1x

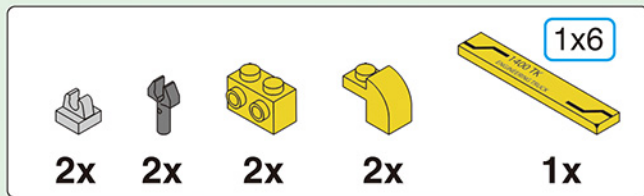
4



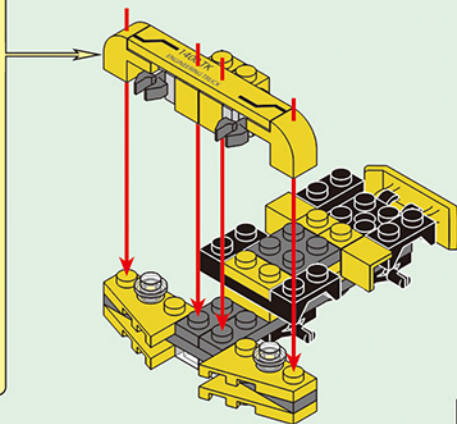
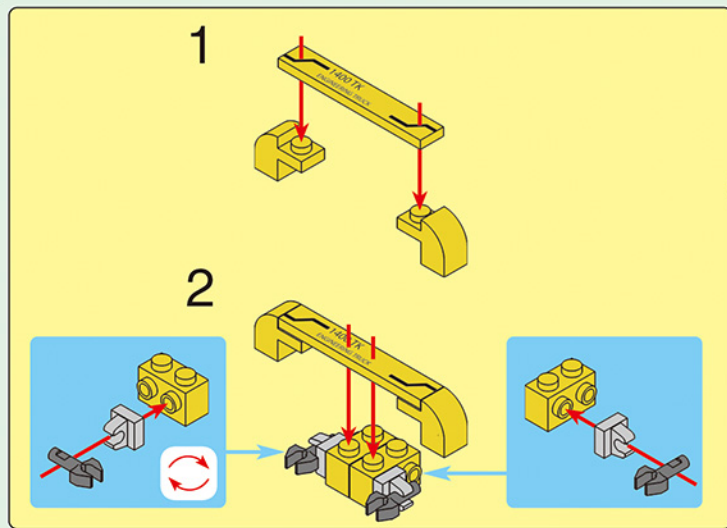


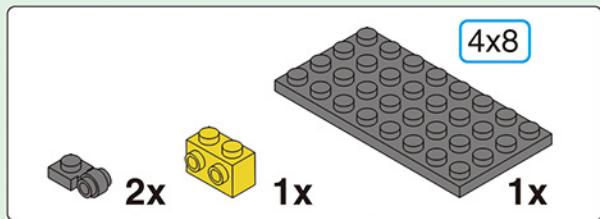
5



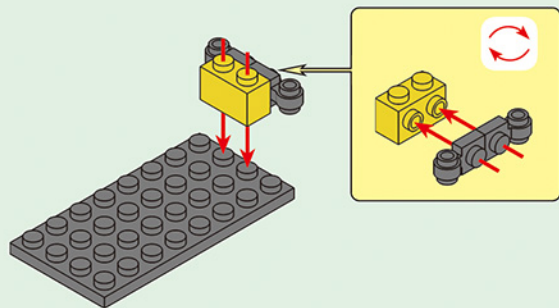


6

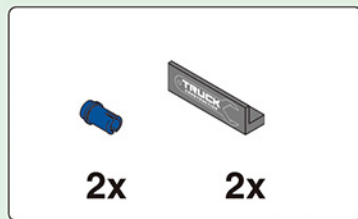




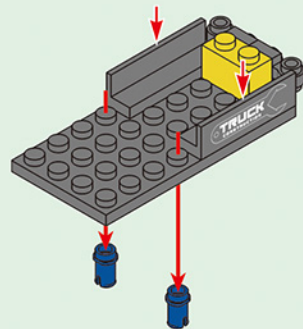
7.1



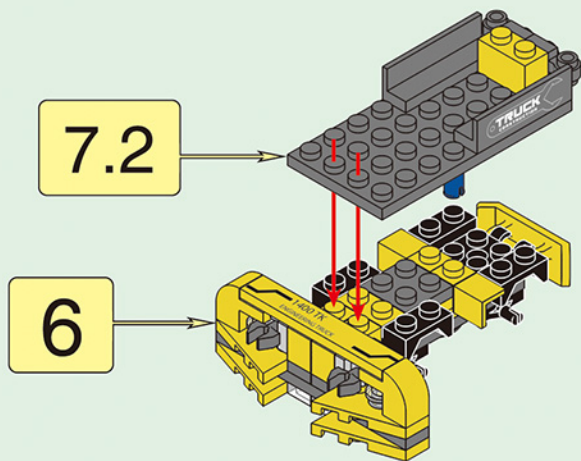
27

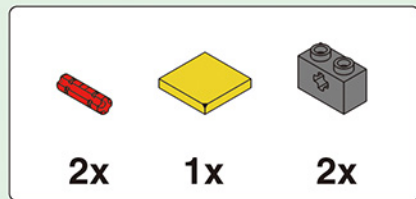


7.2

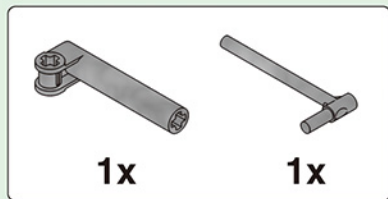
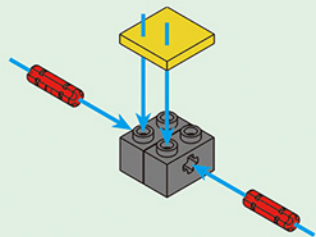


7

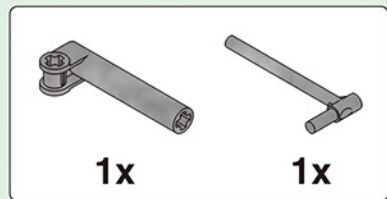
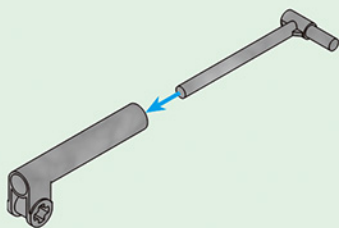




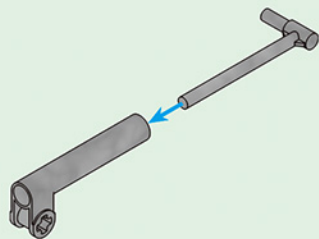
8.1

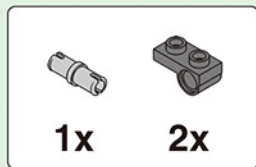


8.2

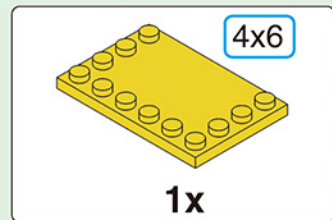
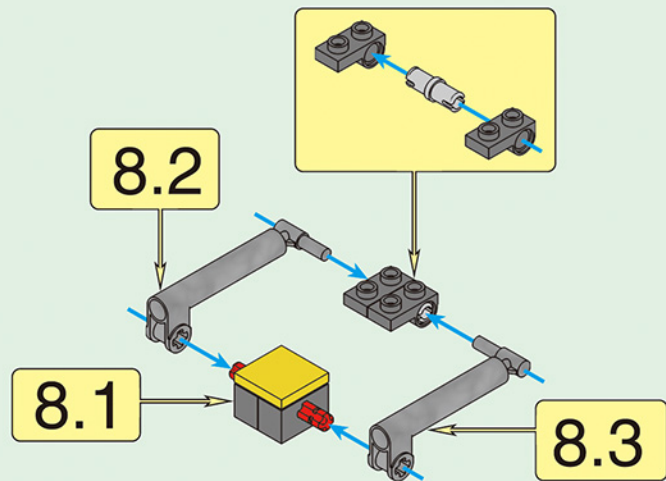


8.3

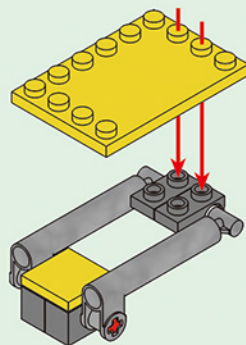




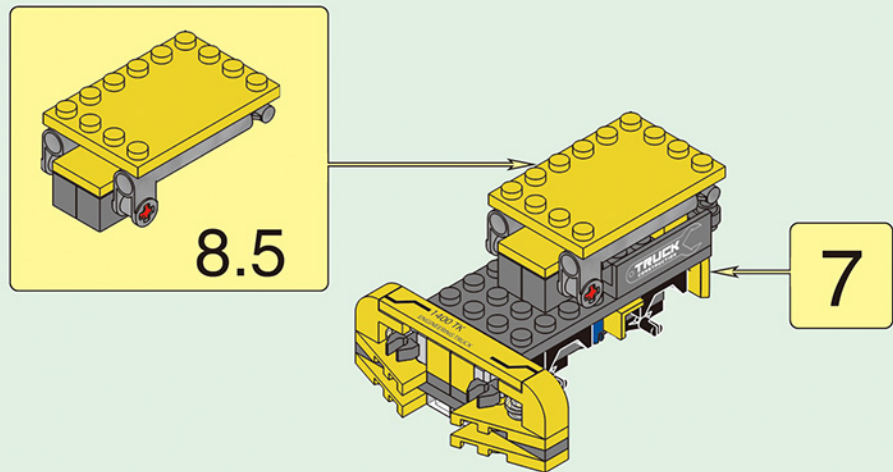
8.4

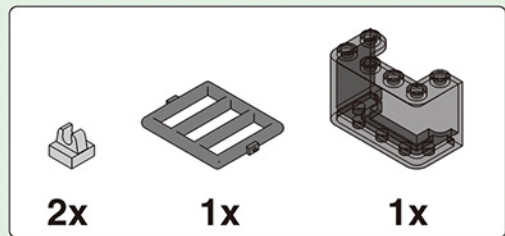


8.5

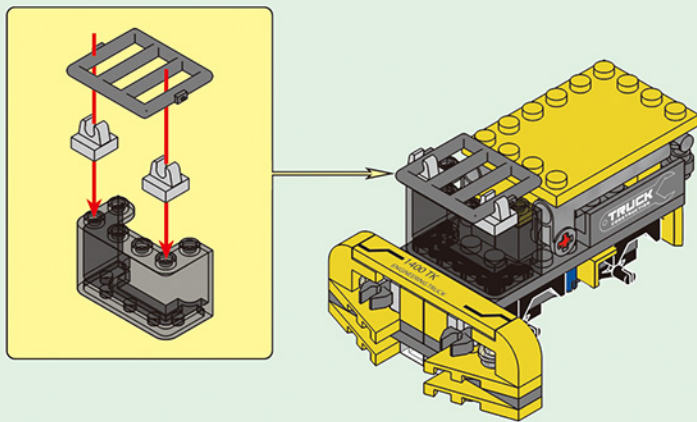


8





9



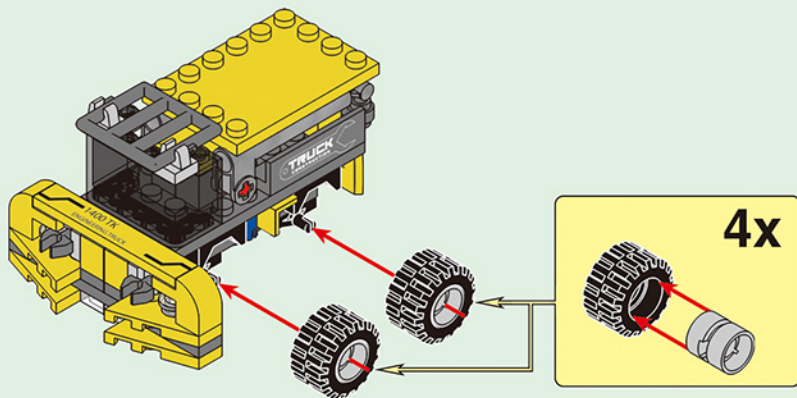


4x

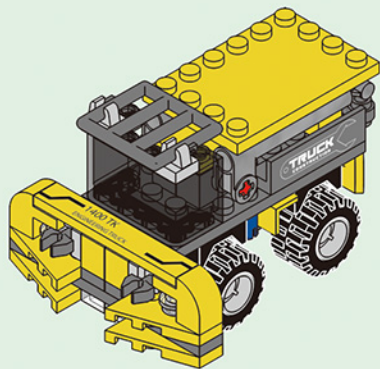


4x

10



11



SET UP 8 TYPES OF GIANT EXCAVATOR >>>>

8 IN 1
COMBINATORIAL
DEFORMATION

