



EXCAVATOR

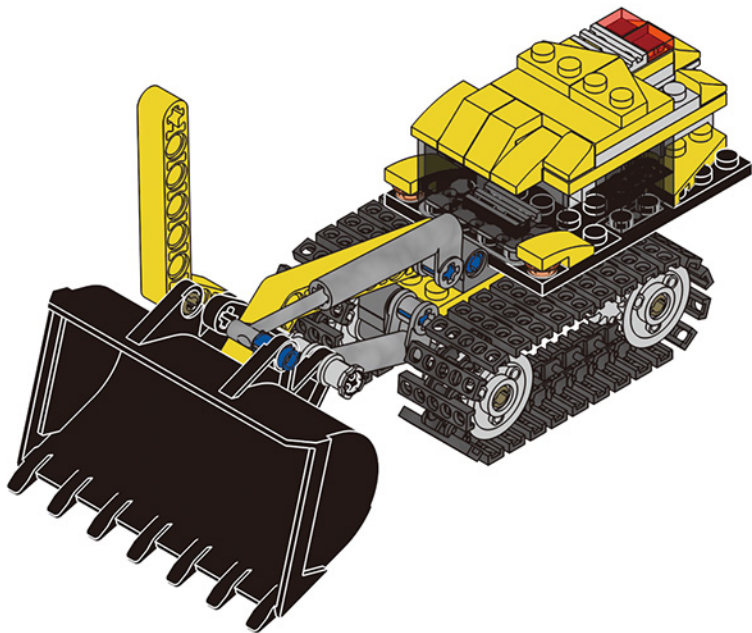
GIANT

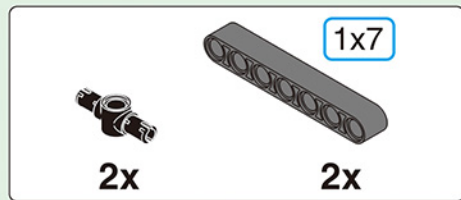
XB-13002C



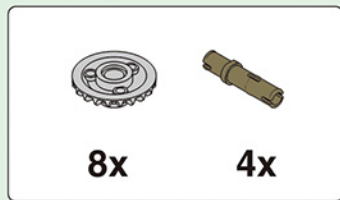
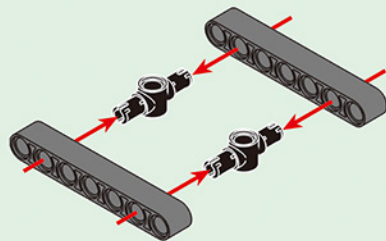
HYDRAULIC LOADER

C-1

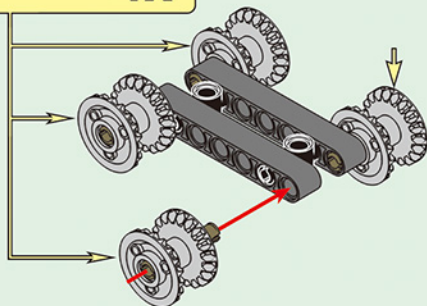
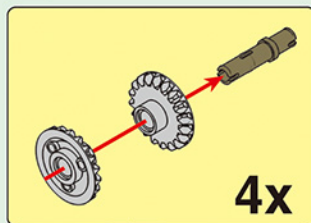




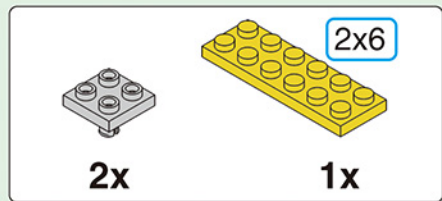
1



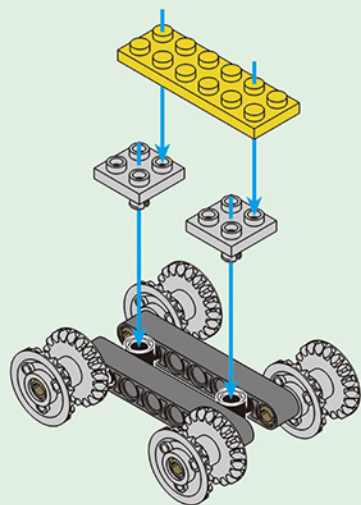
2



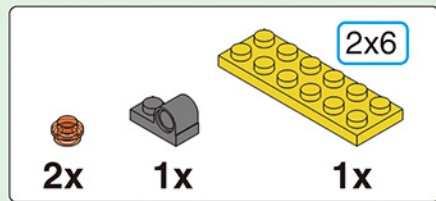
2



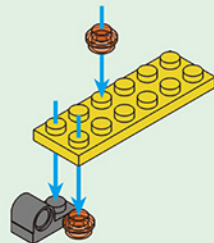
3

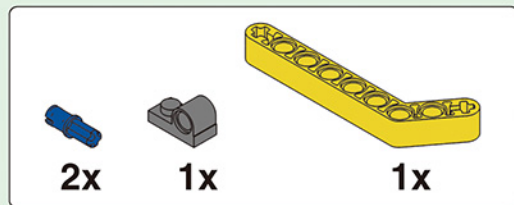


3

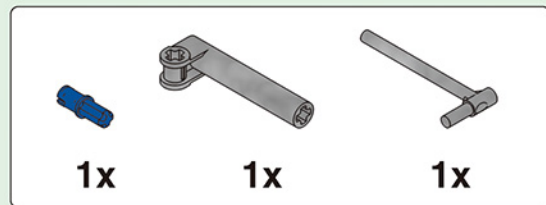
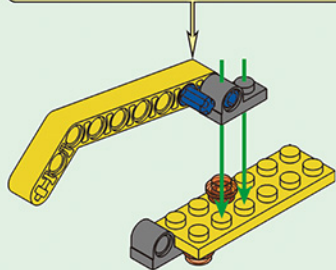
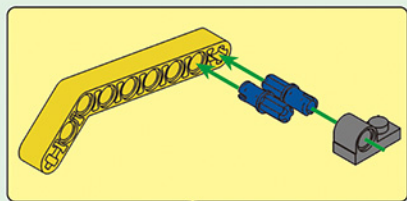


4.1

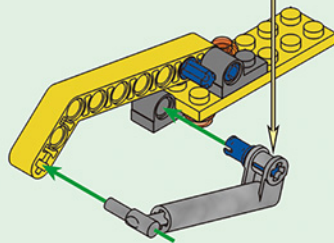
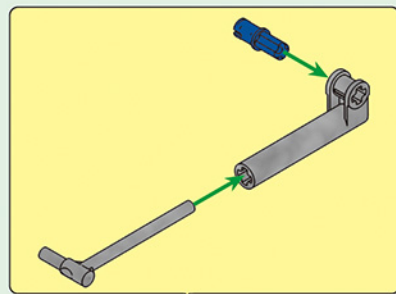


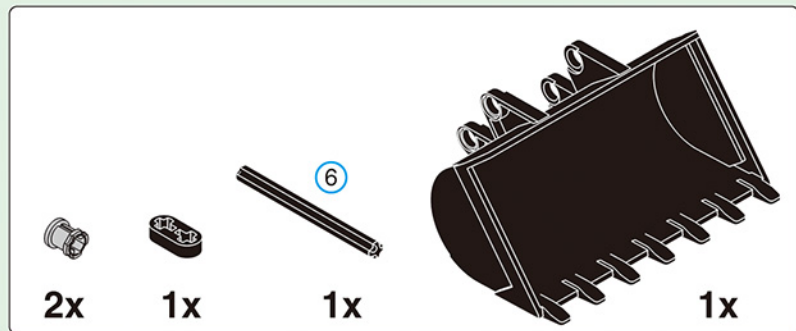


4.2

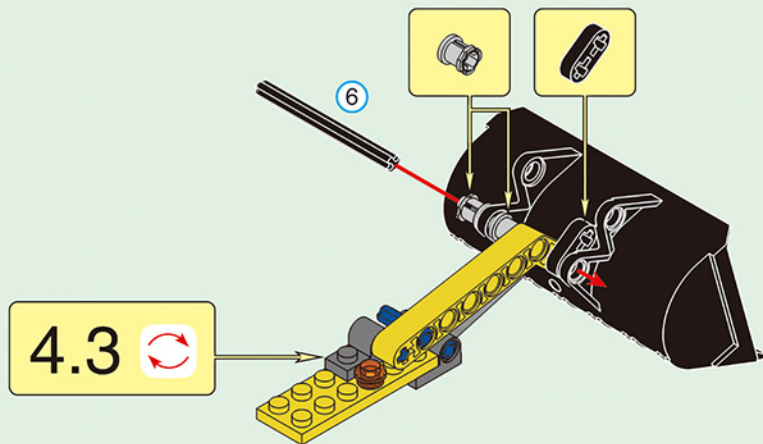


4.3

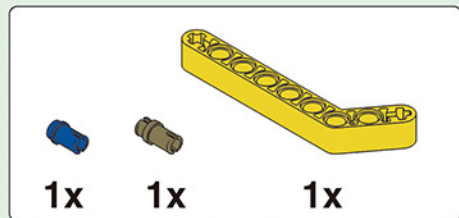




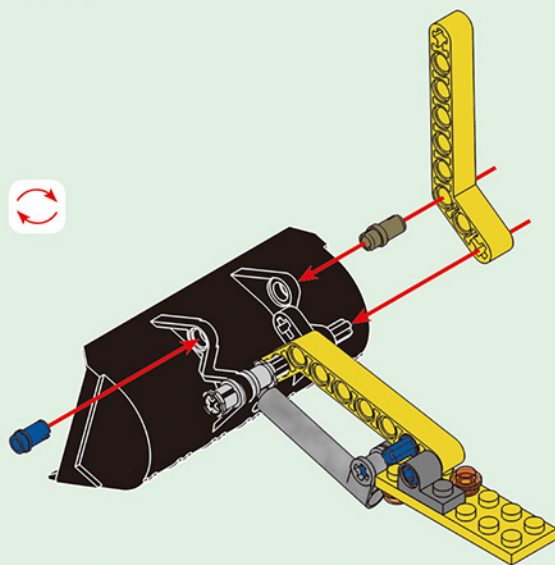
4

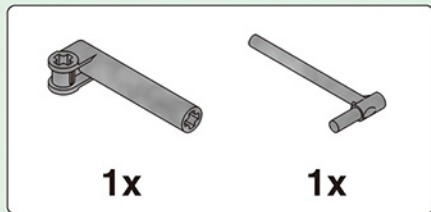


5

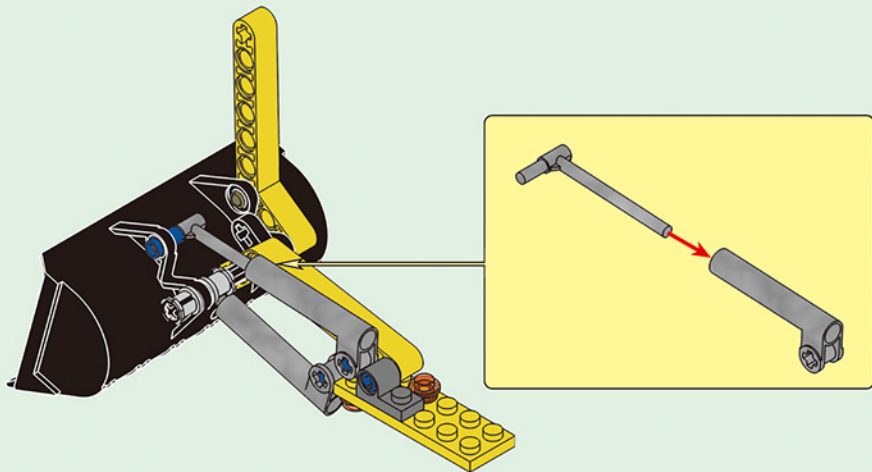


5



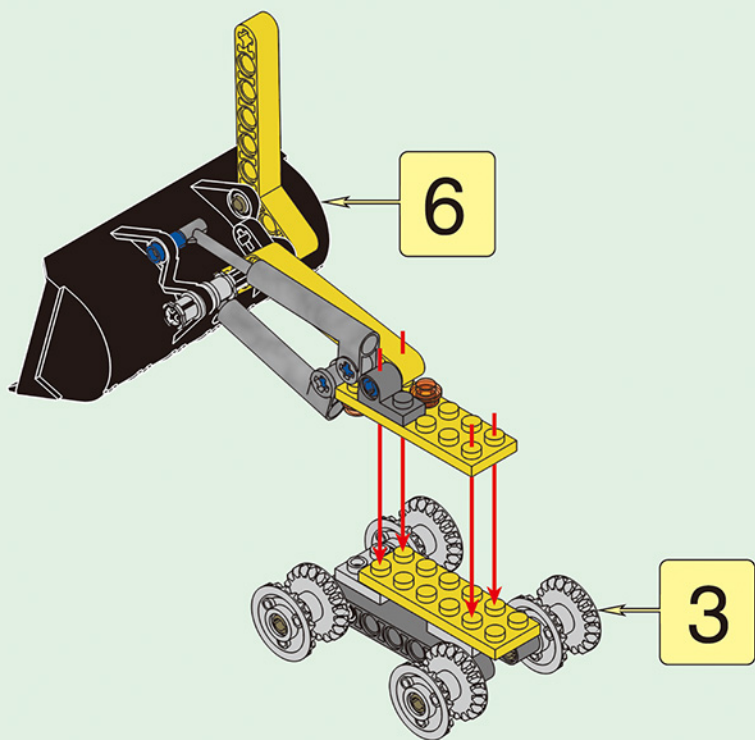


6



7

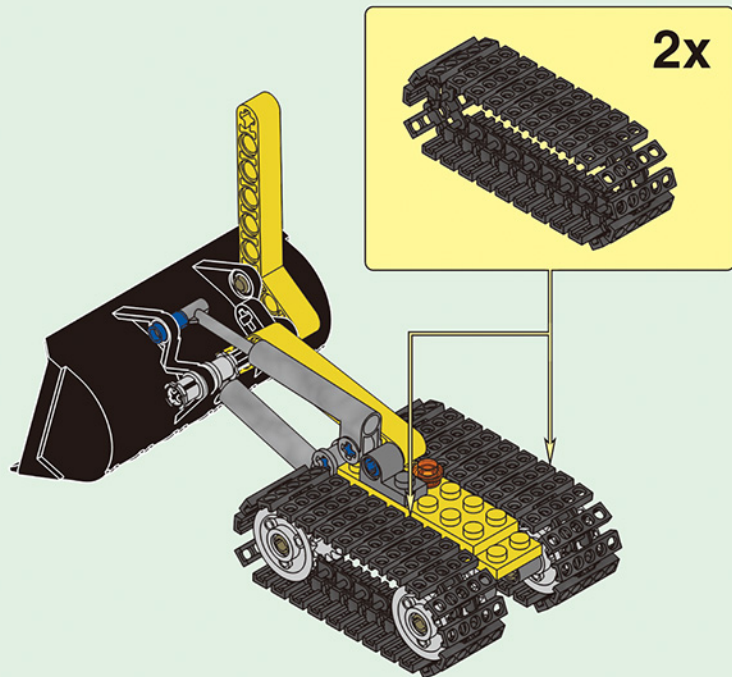
7



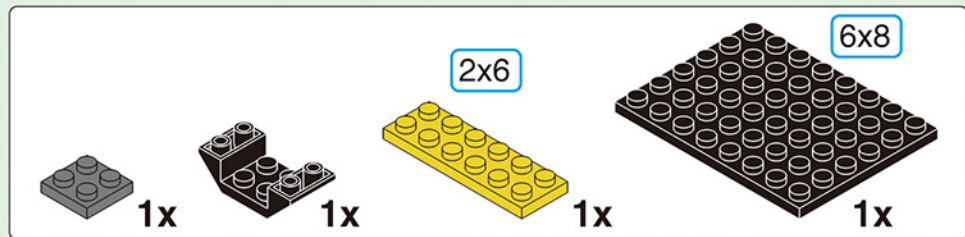


48x

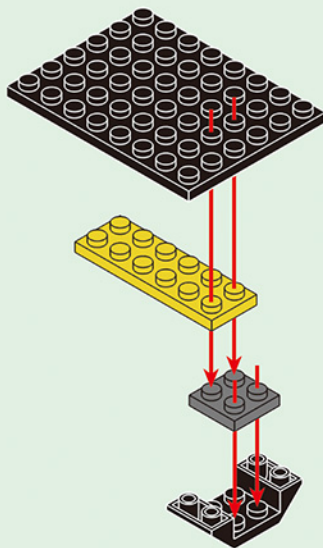
8

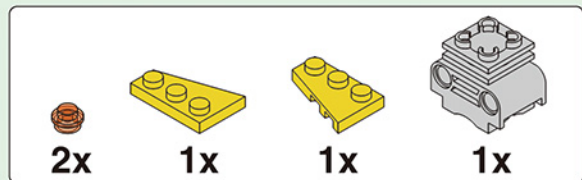


9

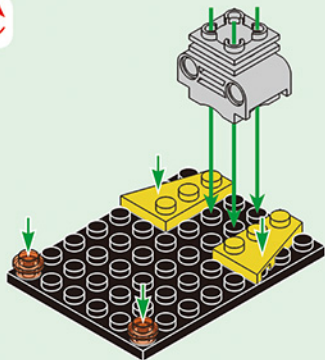


9.1

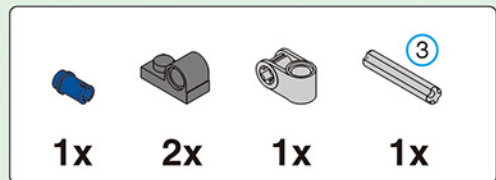




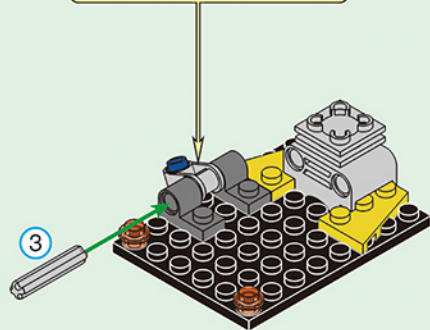
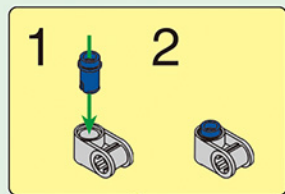
9.2

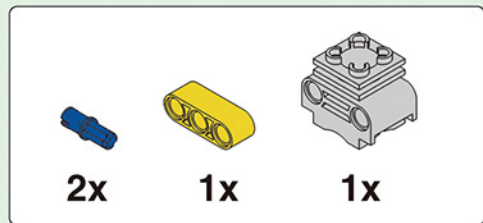


11

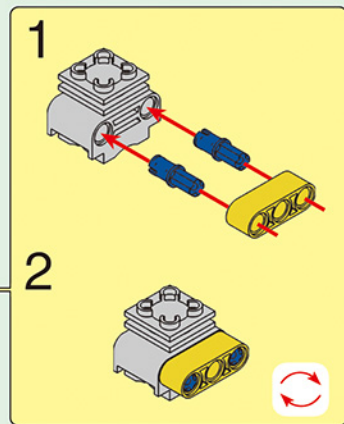
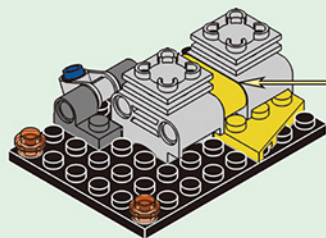


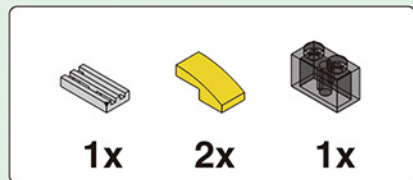
9.3



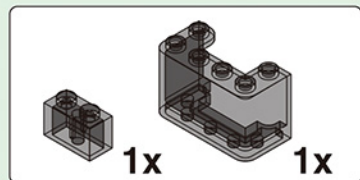


9.4

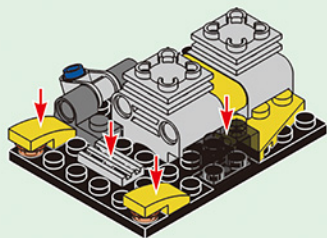




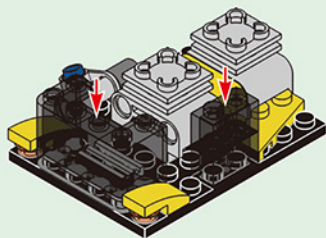
9.5

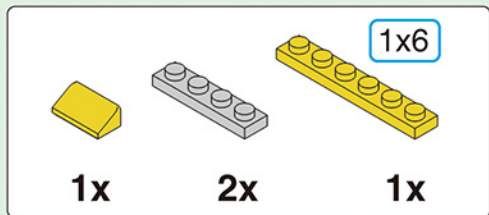


9.6

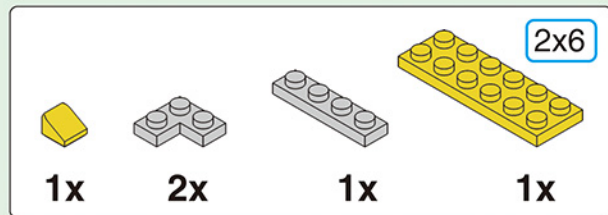
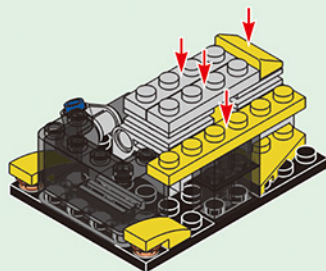


13

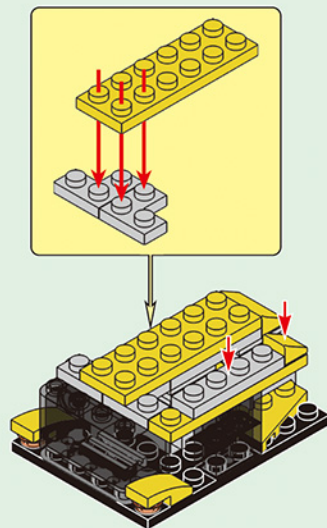


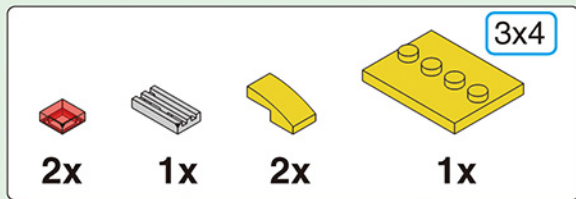


9.7

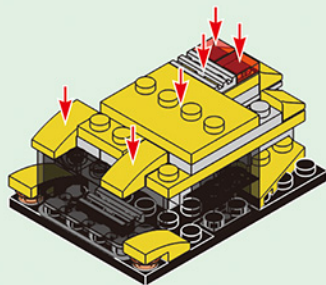


9.8

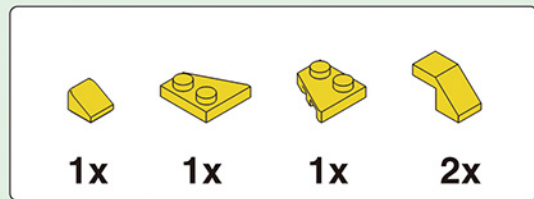




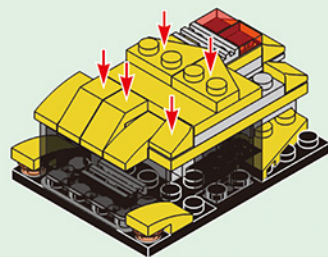
9.9



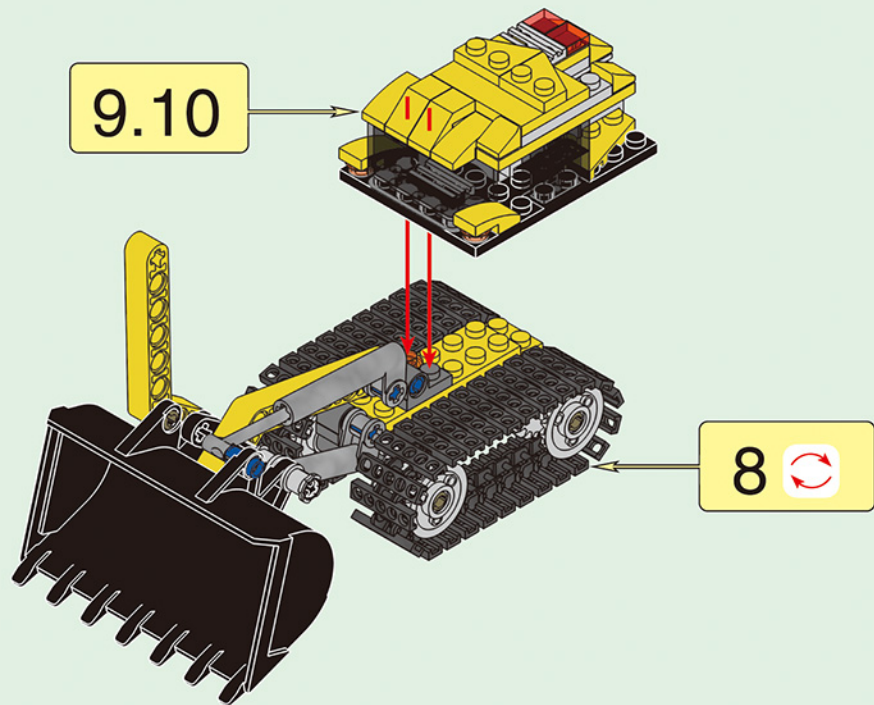
15



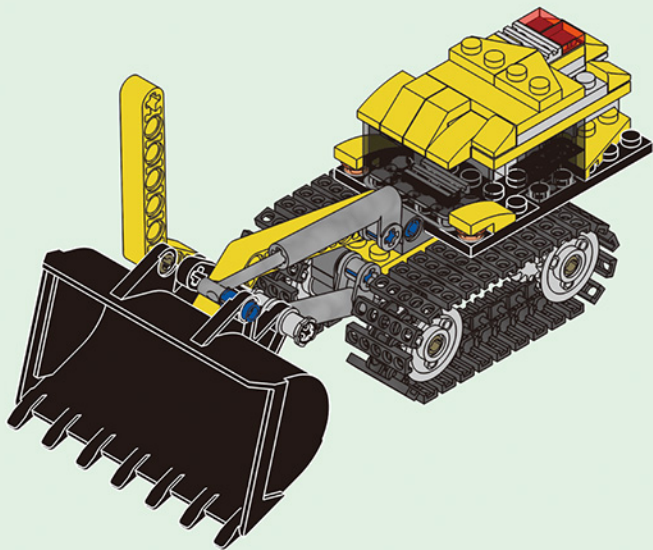
9.10



9

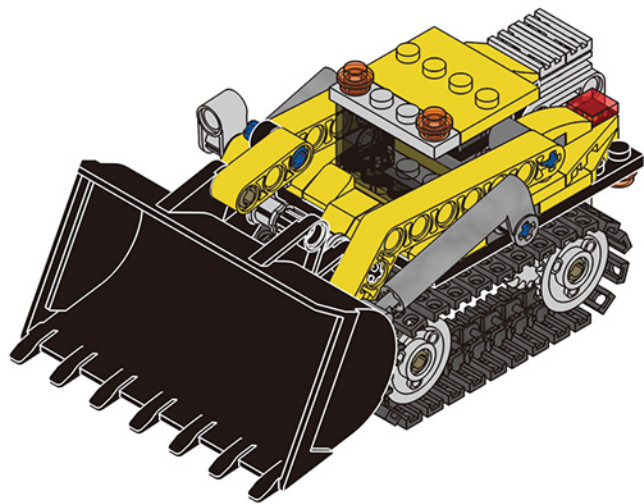


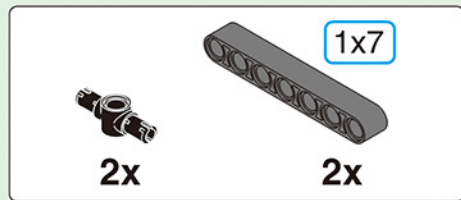
10



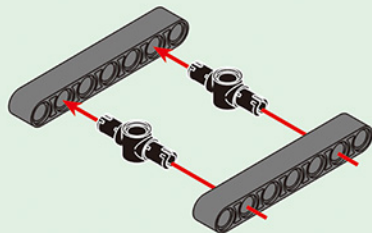
17

C-2

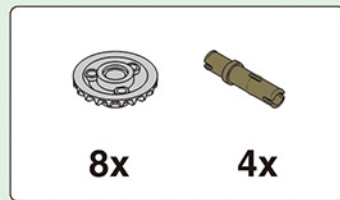




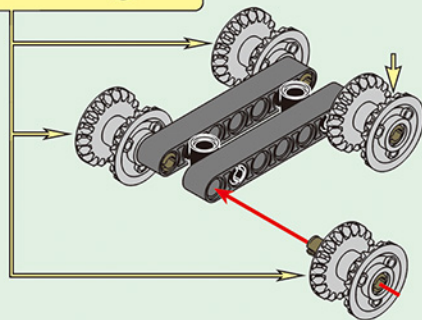
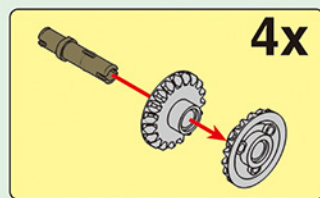
1

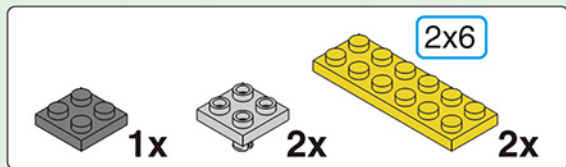


19

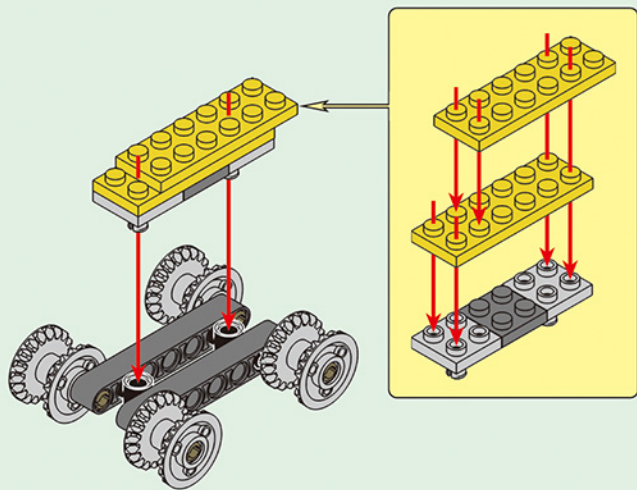


2

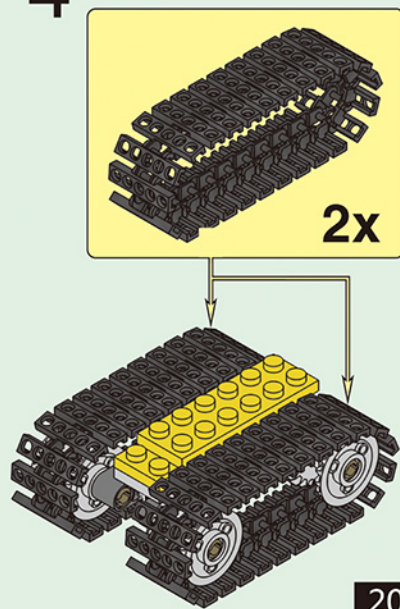


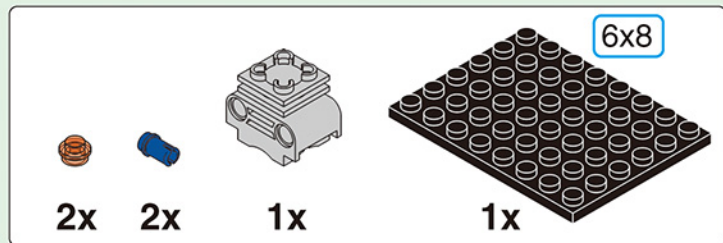


3

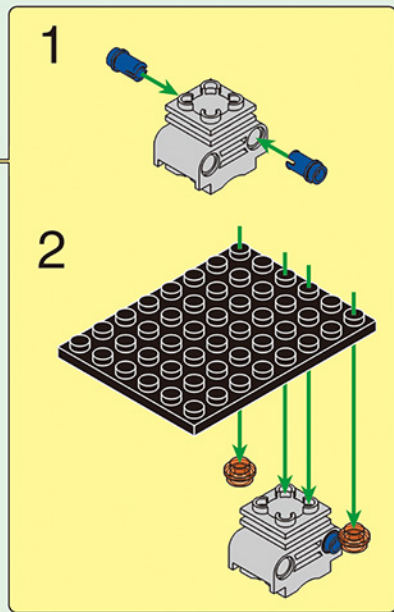
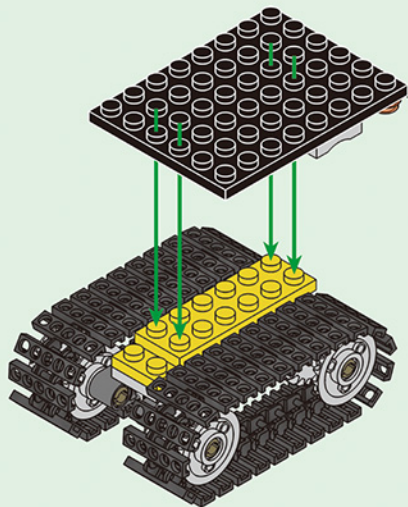


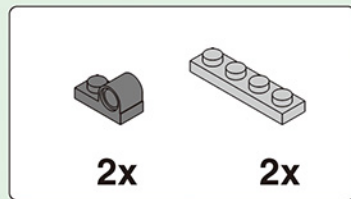
4



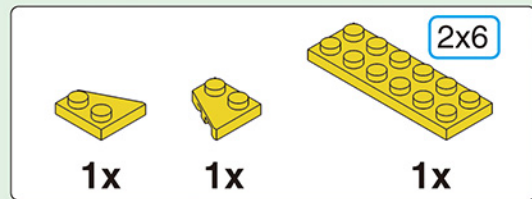
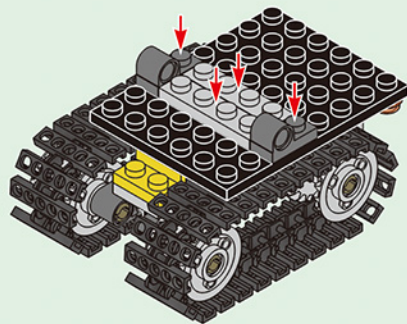


5

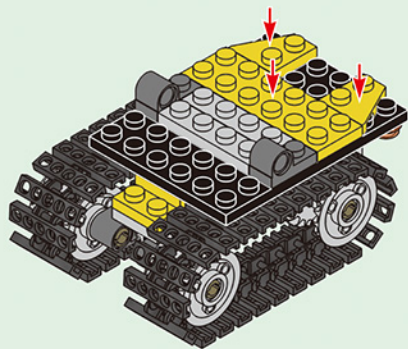


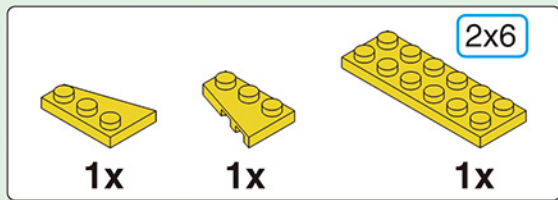


6

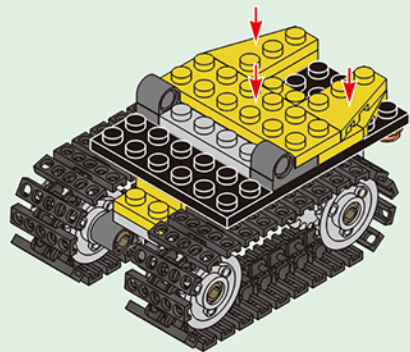


7

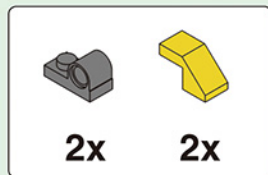




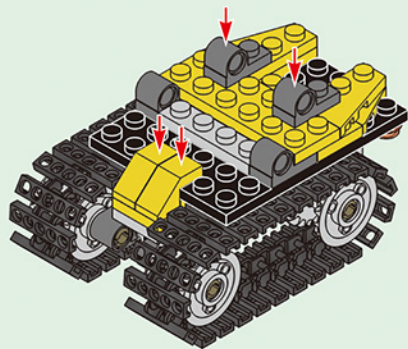
8

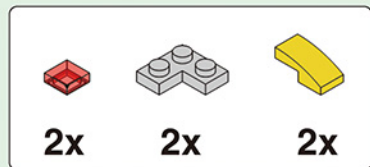


23

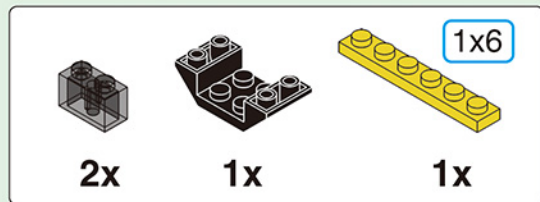
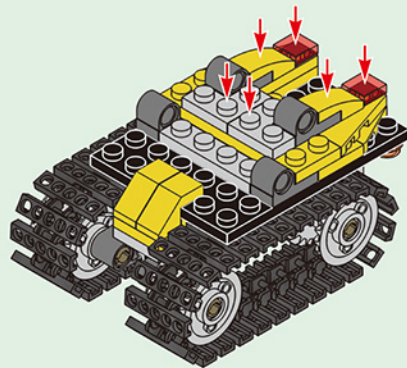


9

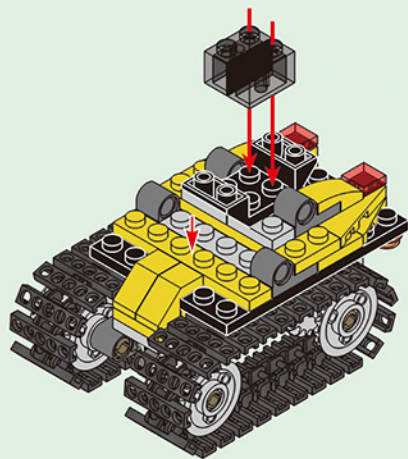


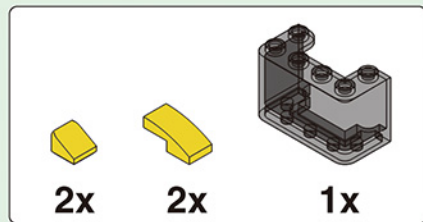


10

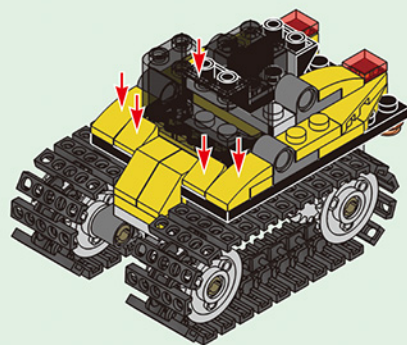


11

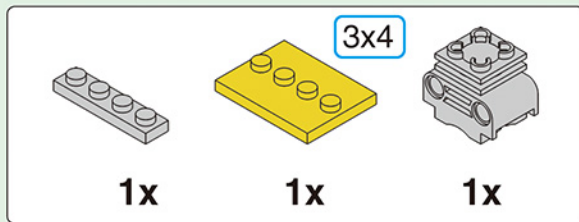




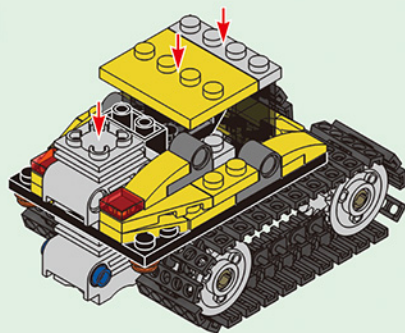
12

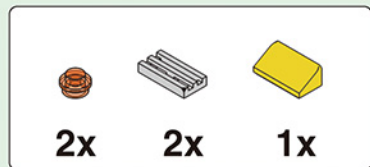


25

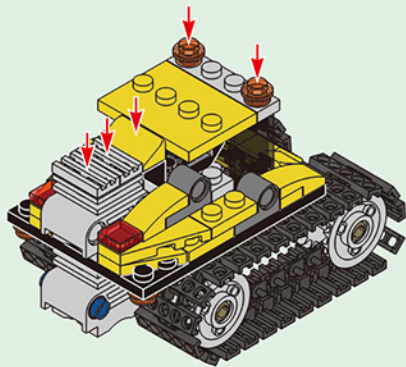


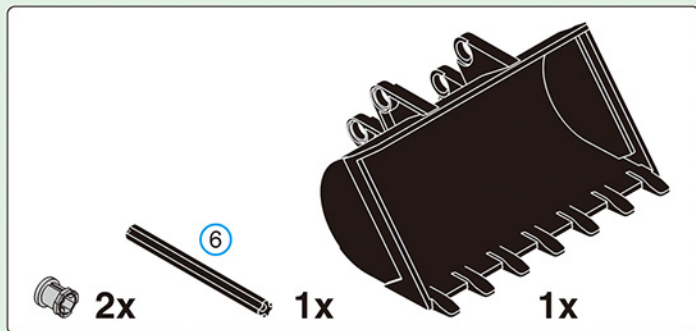
13



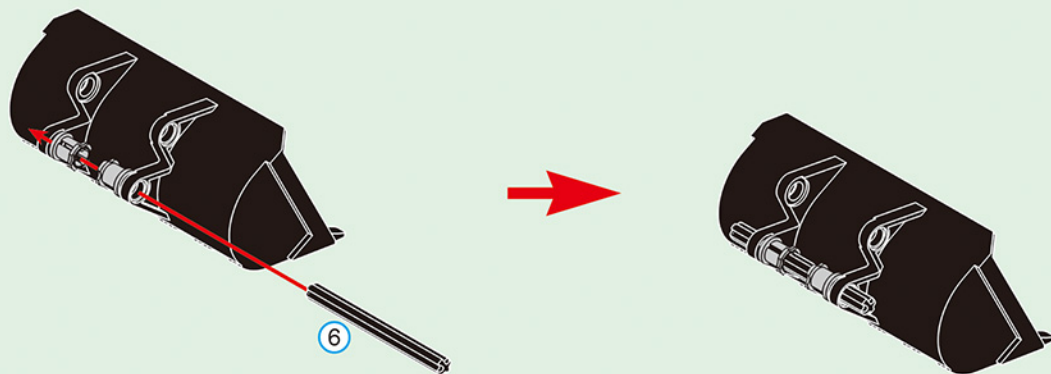


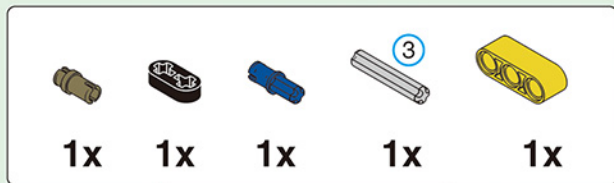
14



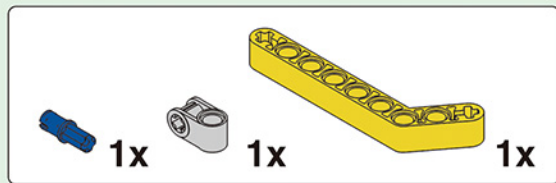
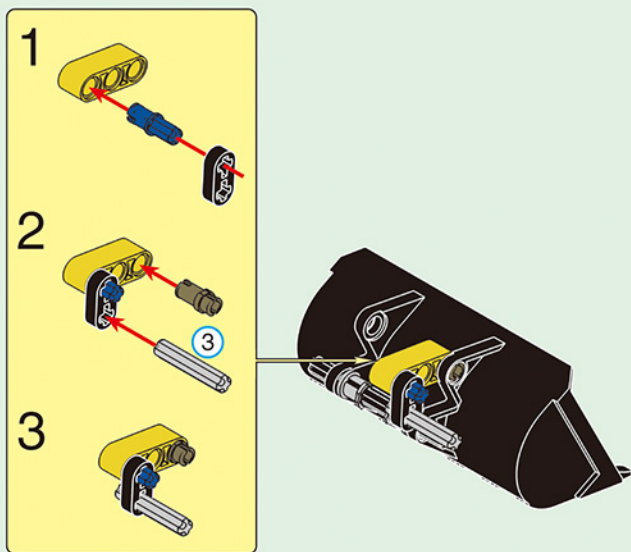


15.1

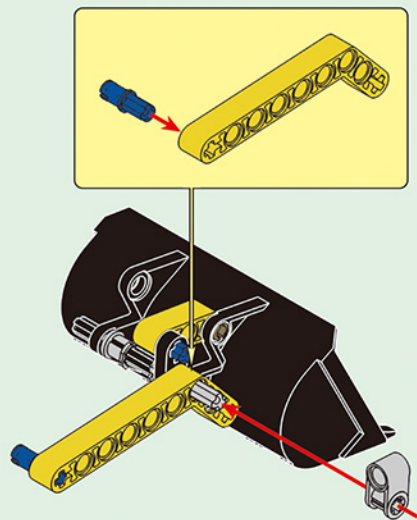




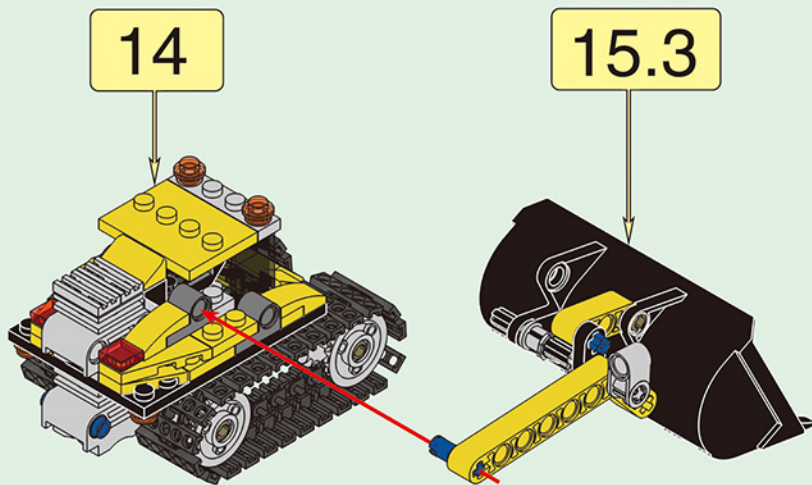
15.2

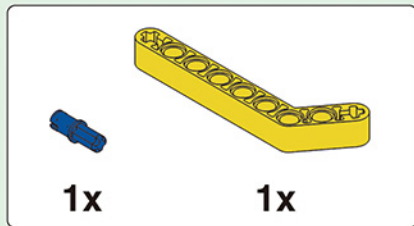


15.3

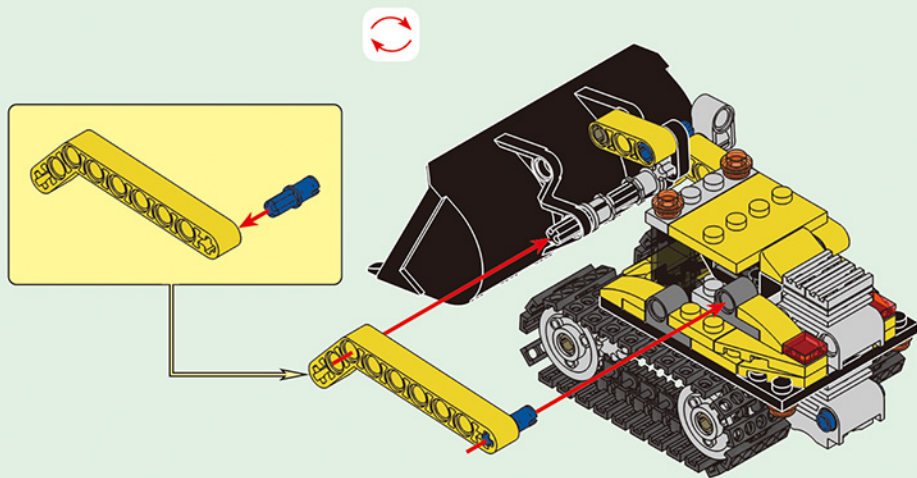


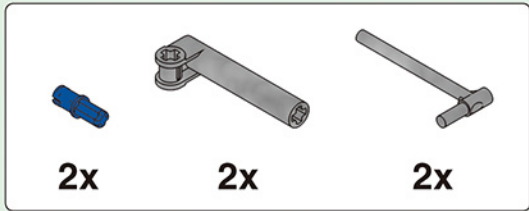
15



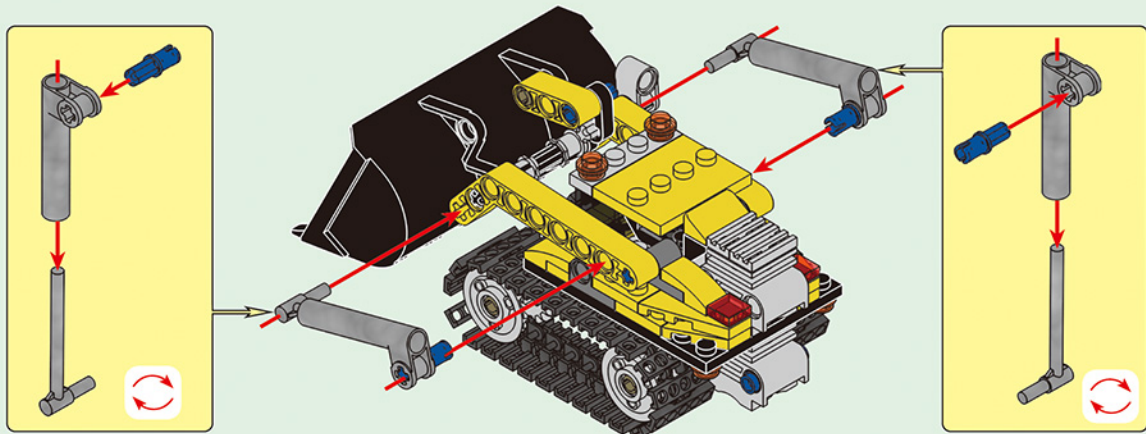


16

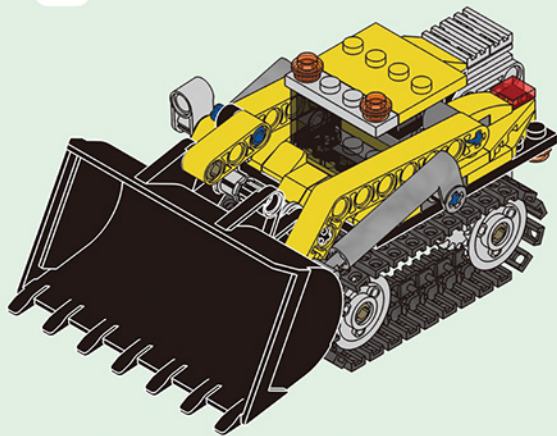




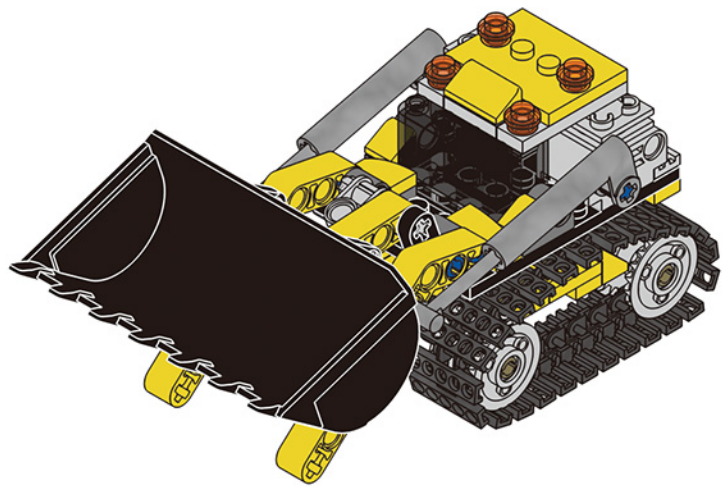
17

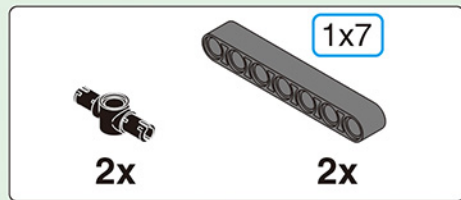


18

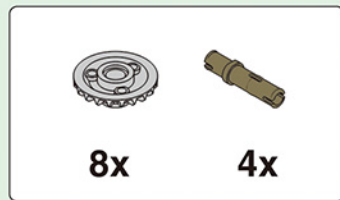
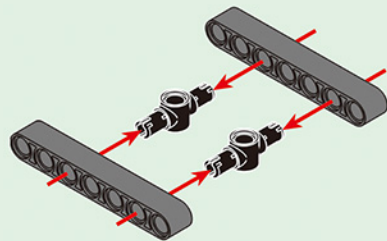


C-3

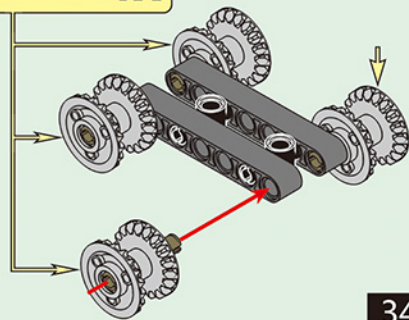
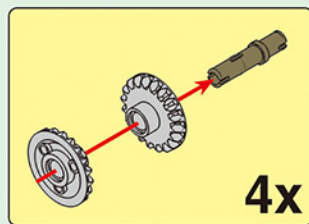


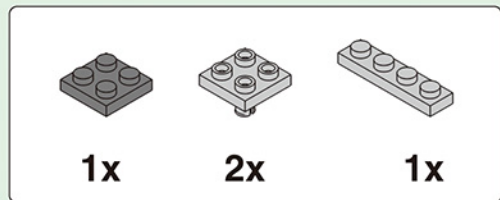


1

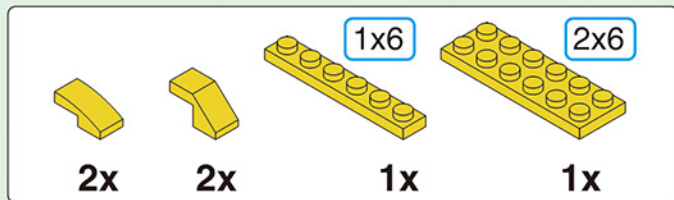
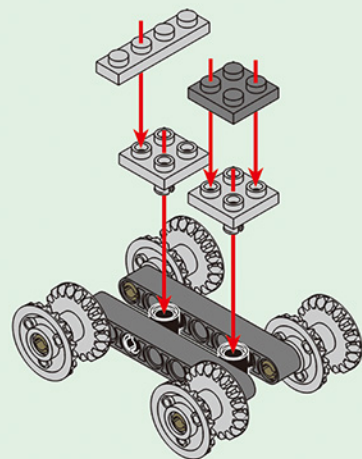


2

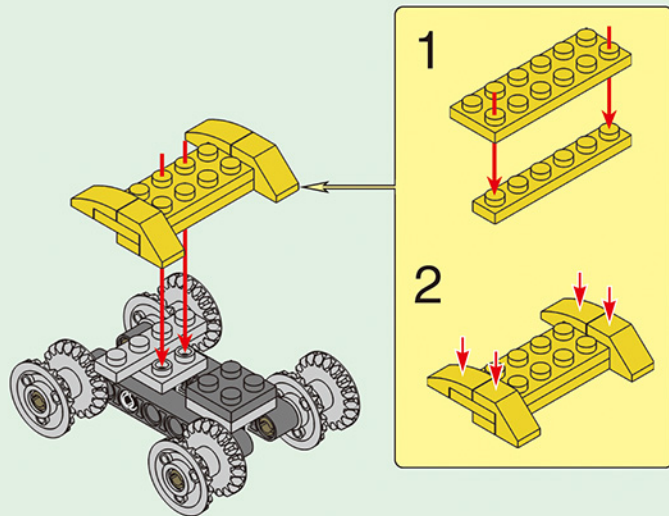


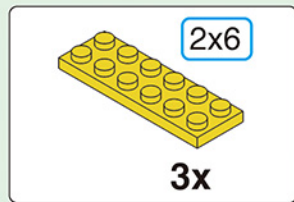


3

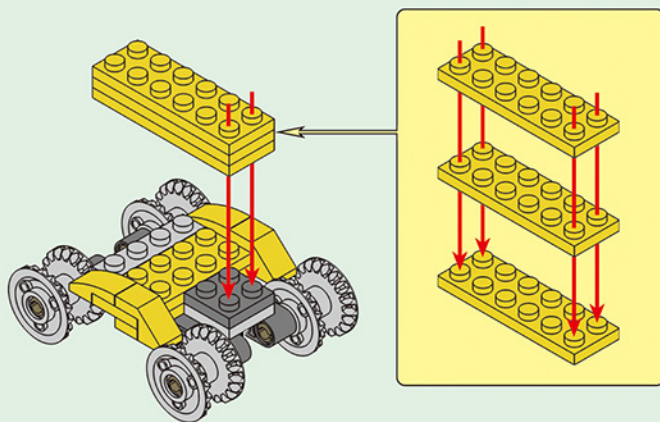


4





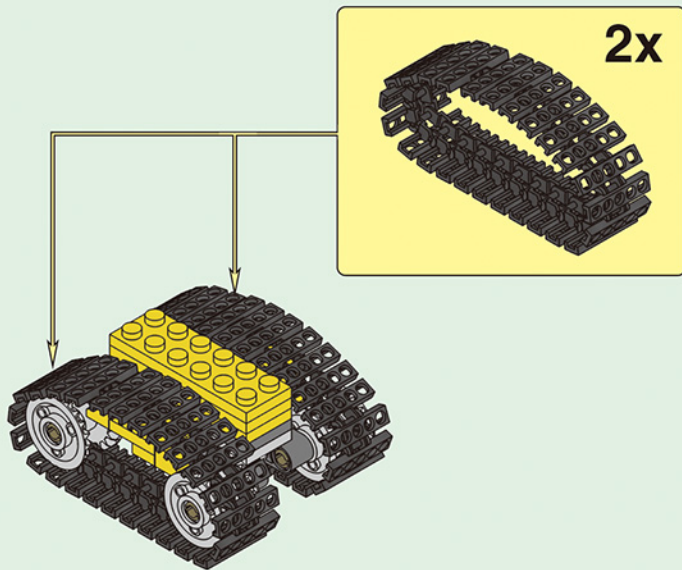
5

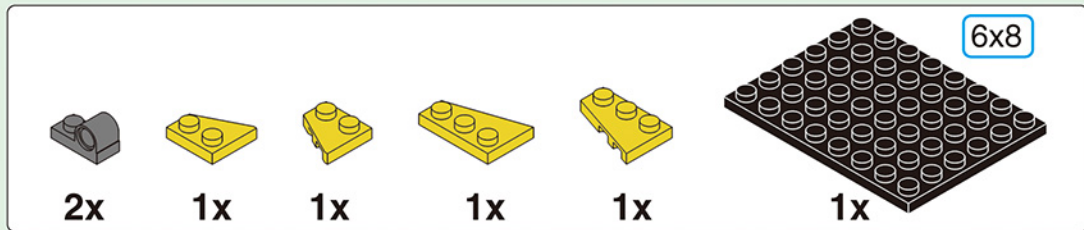




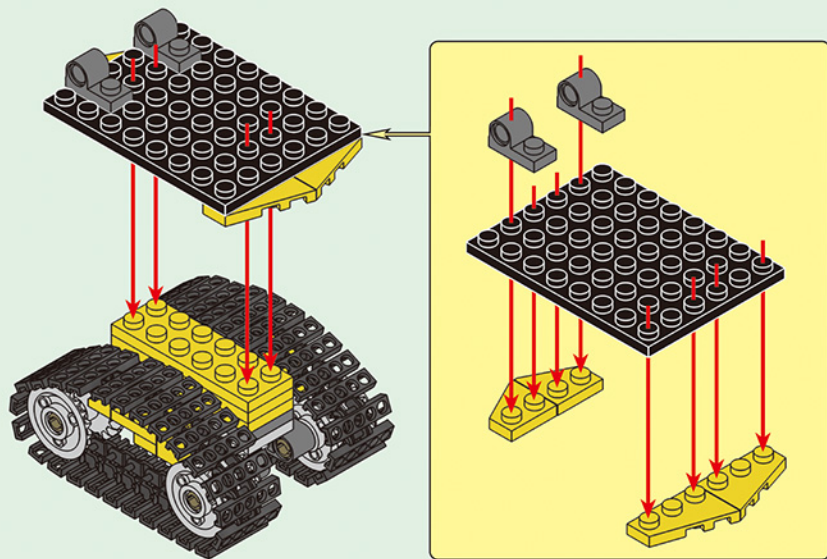
48x

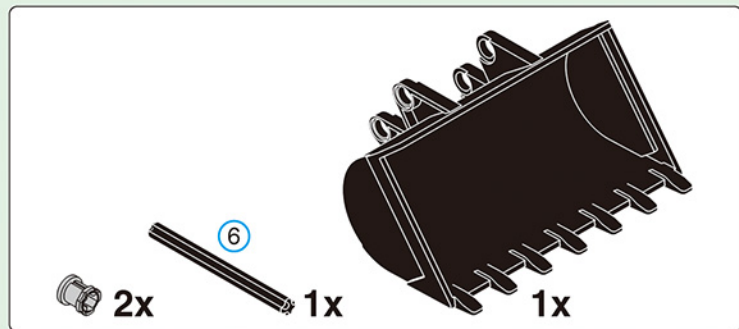
6



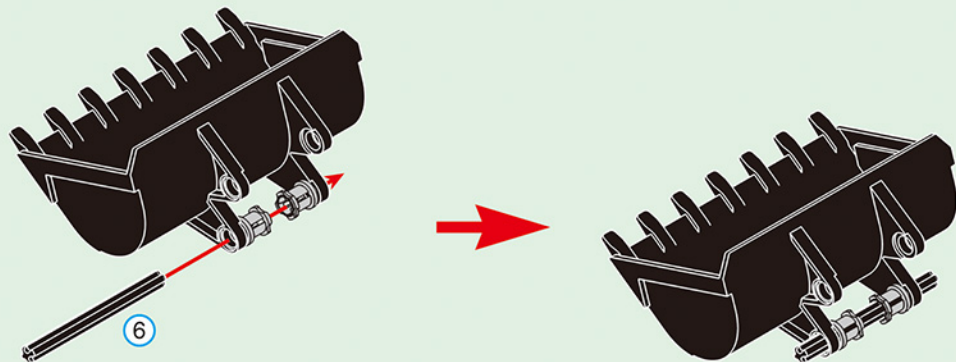


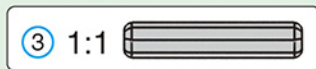
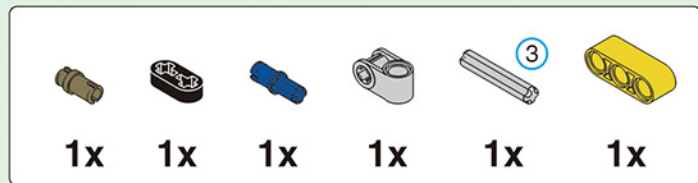
7



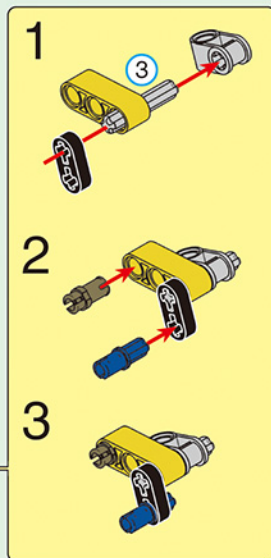
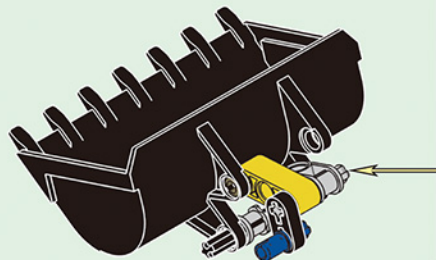


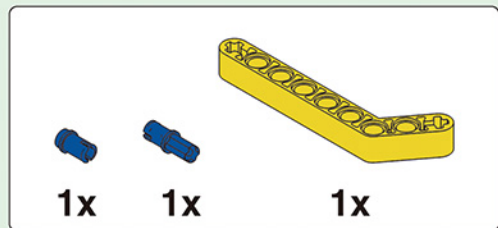
8.1



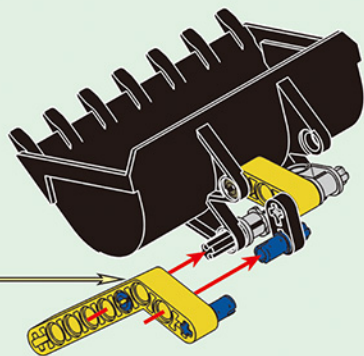
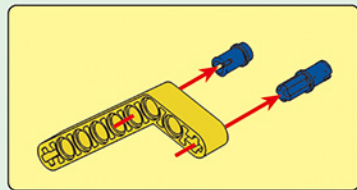


8.2

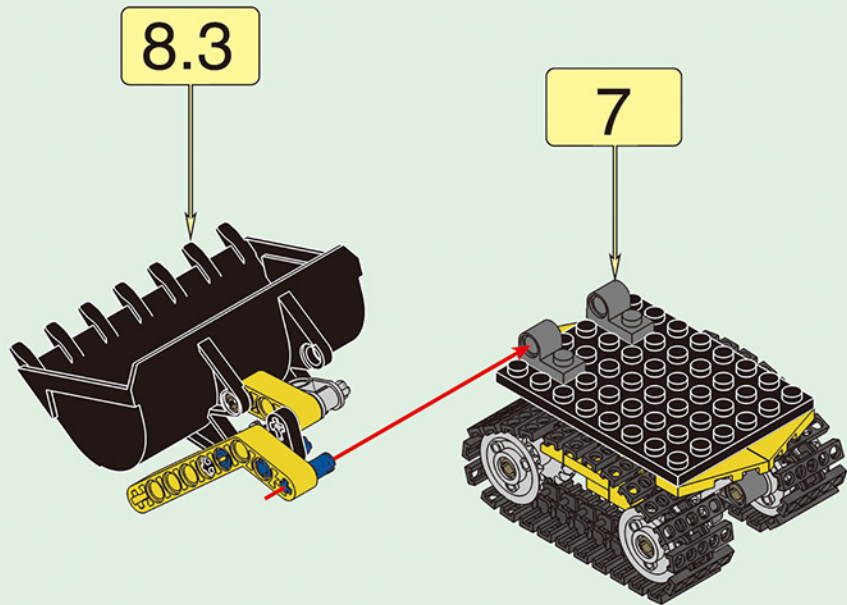


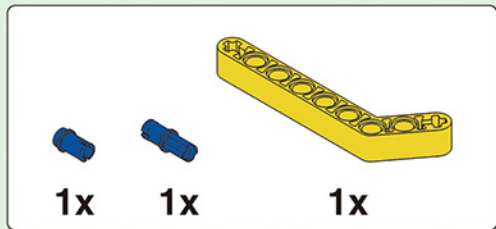


8.3

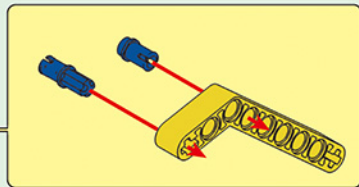
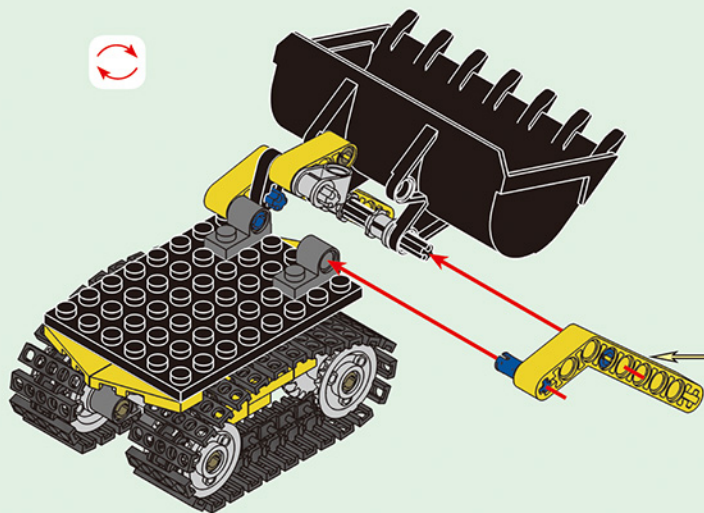


8





9





2x



2x

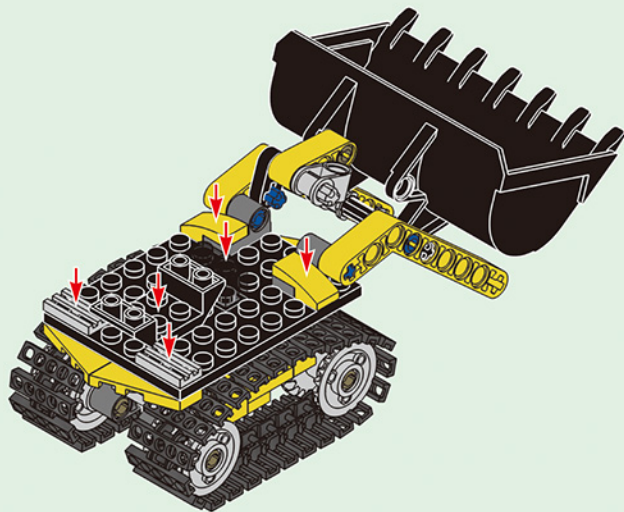


1x



1x

10





2x

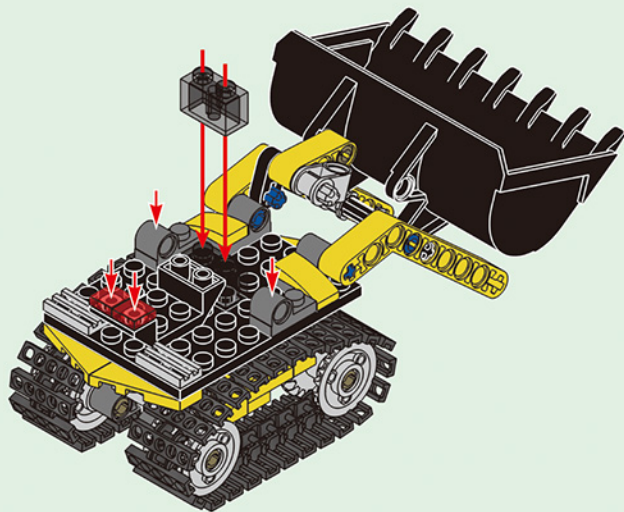


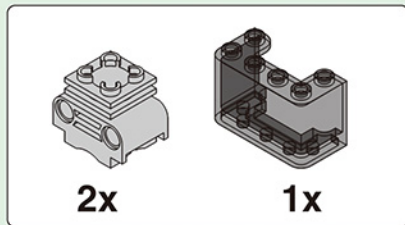
2x



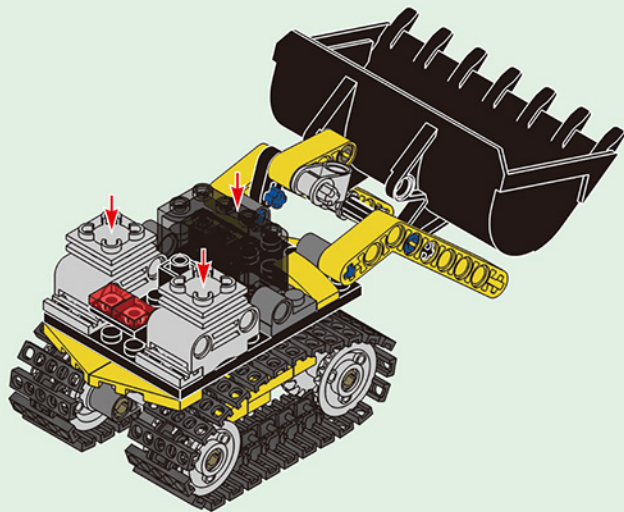
1x

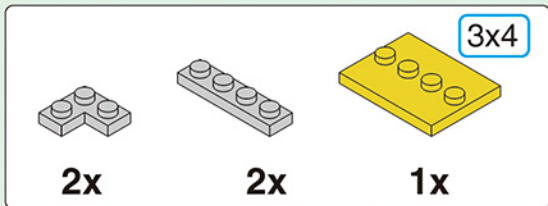
11



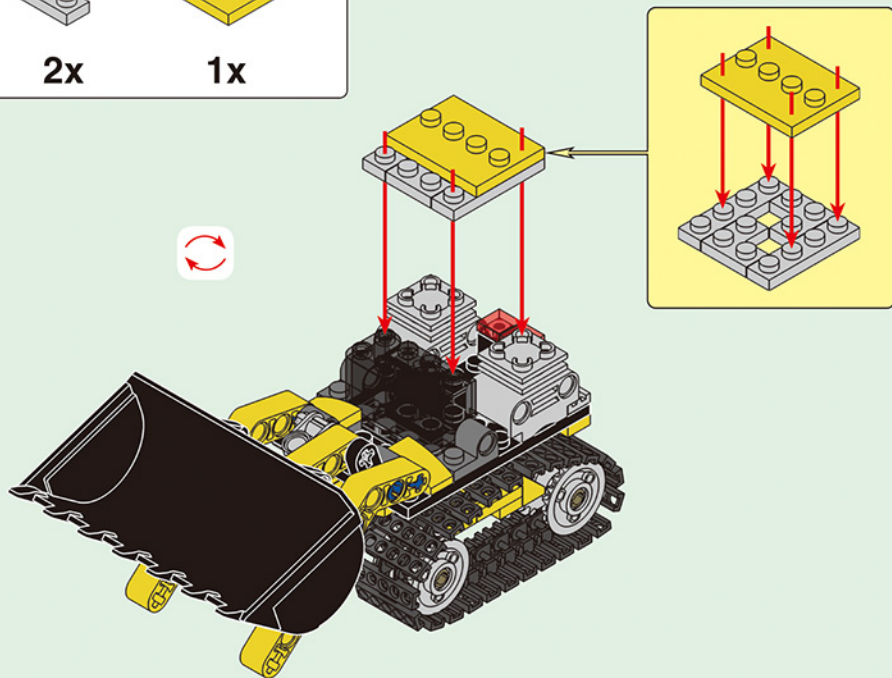


12





13





4x

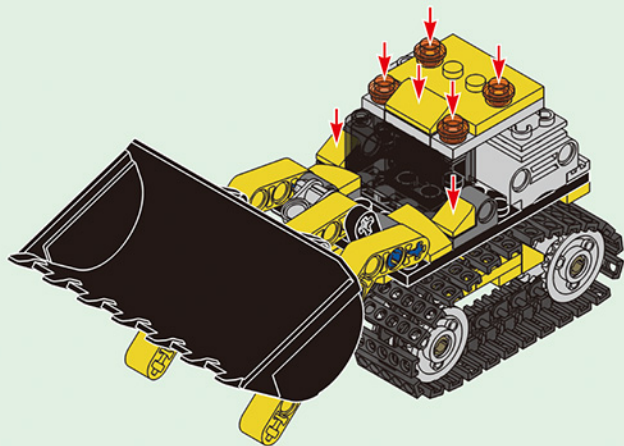


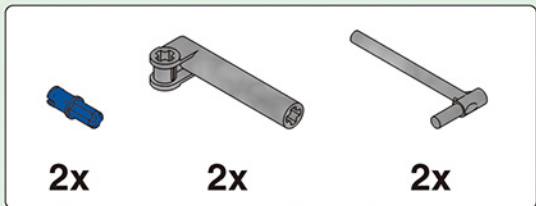
2x



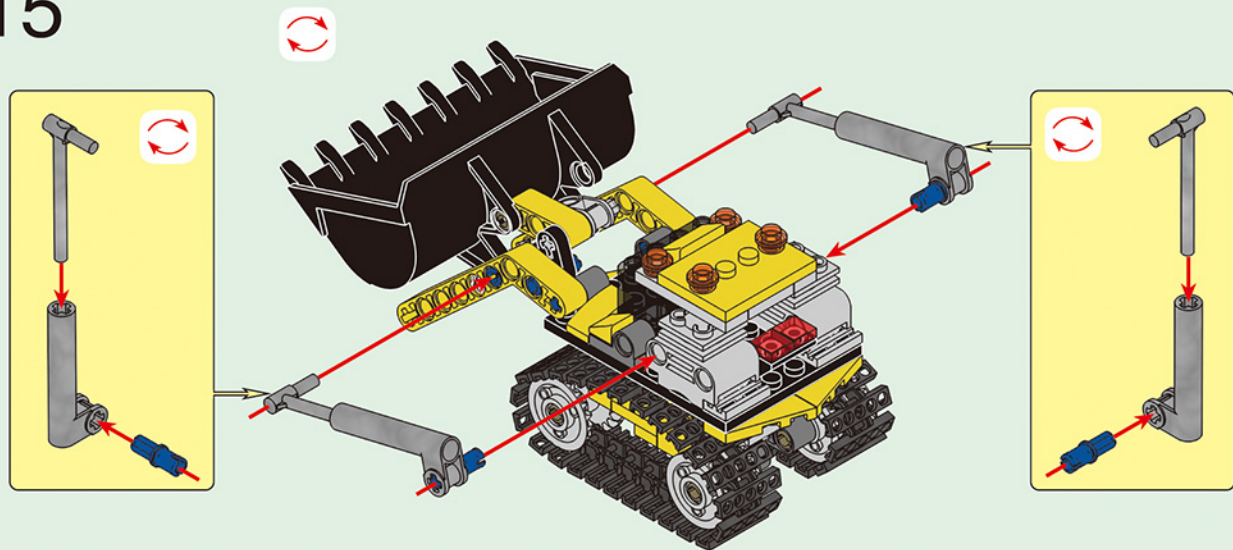
1x

14

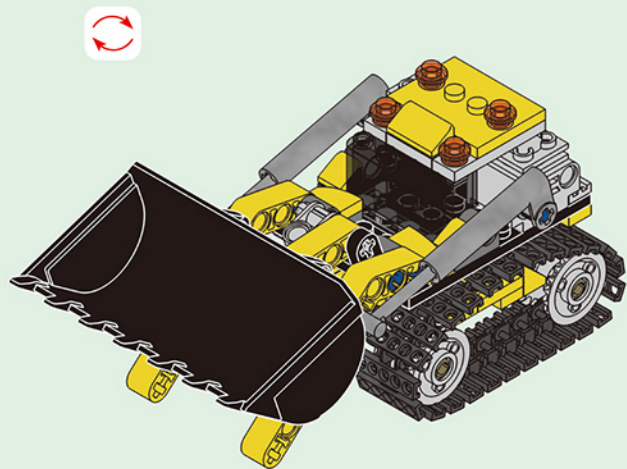




15



16



SET UP 8 TYPES OF GIANT EXCAVATOR >>>>

8 IN 1
COMBINATORIAL
DEFORMATION

