



# EXCAVATOR GIANT

**XB-13002 A**

MINERAL TRANSPORT VEHICLE

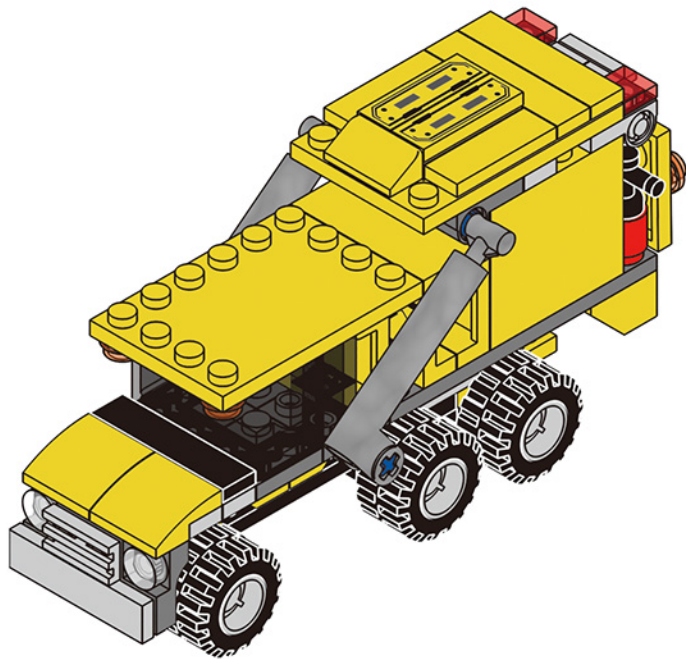


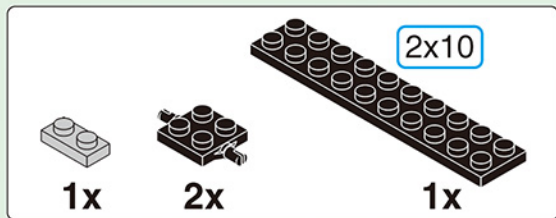
MATERIAL TRANSPORT VEHICLE



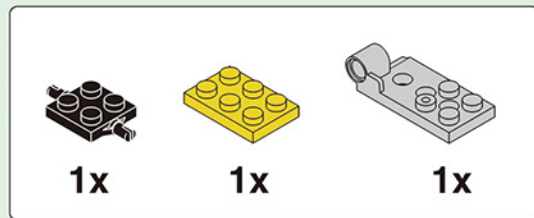
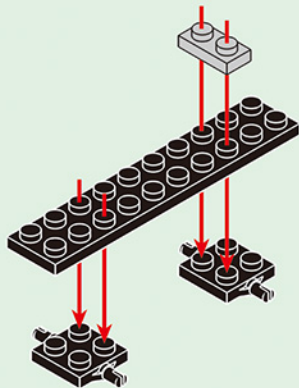
**BOX DUMP TRUCK**

A-1

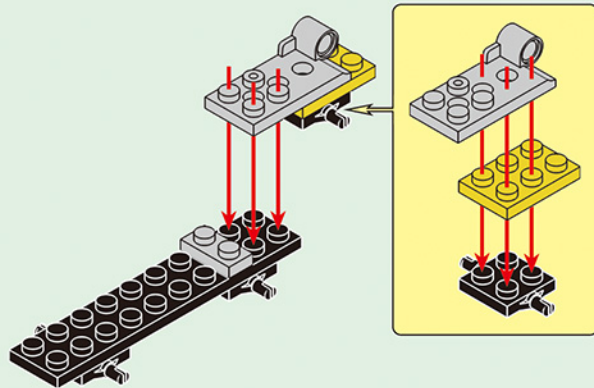




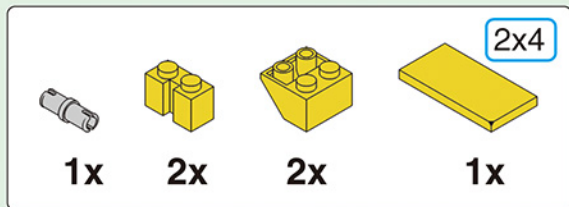
1



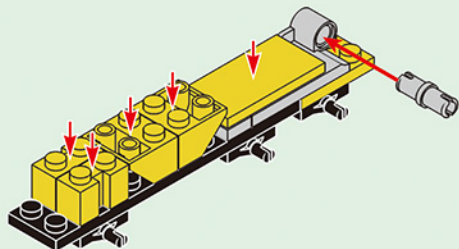
2



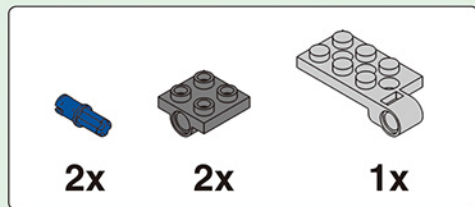
2



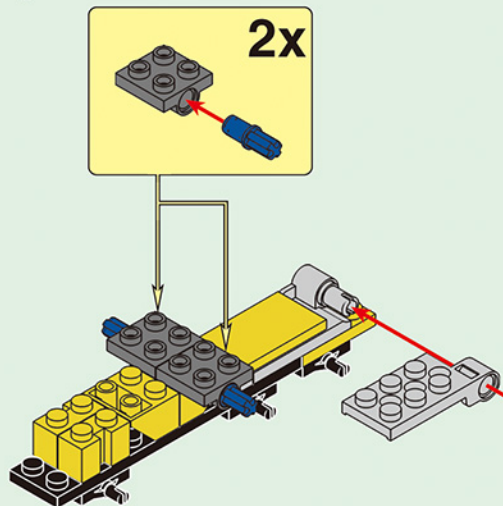
3



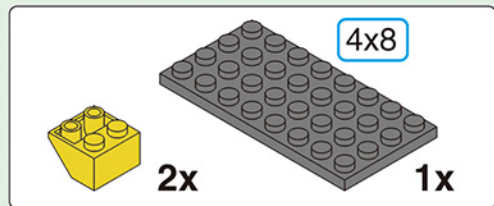
3



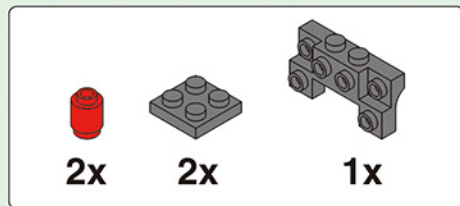
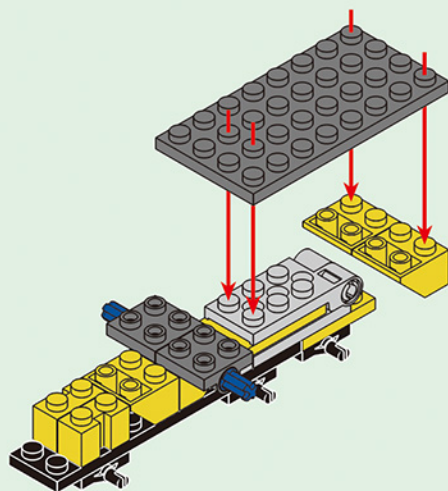
4



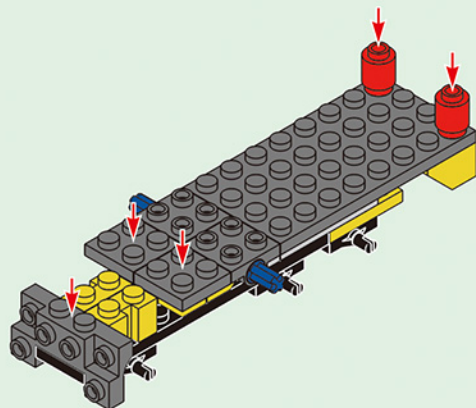


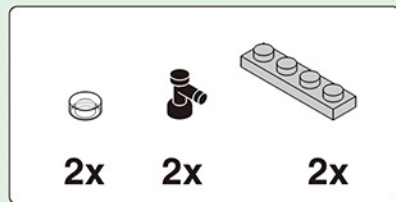


5

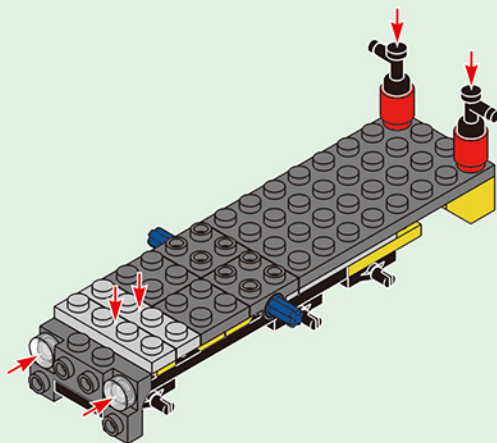


6

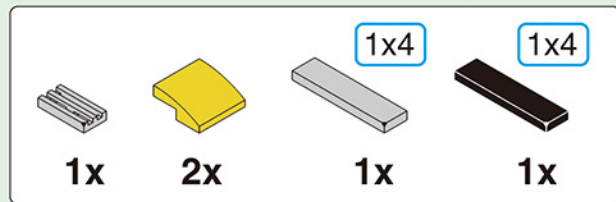




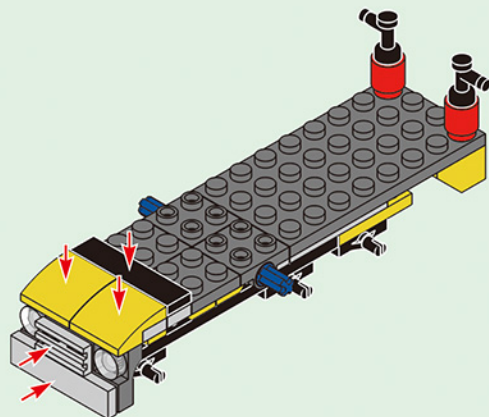
7

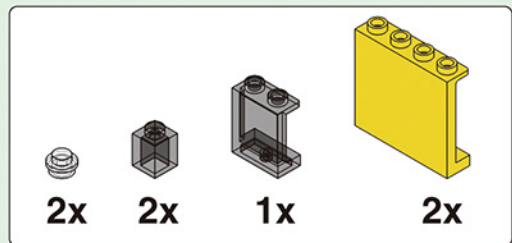


5

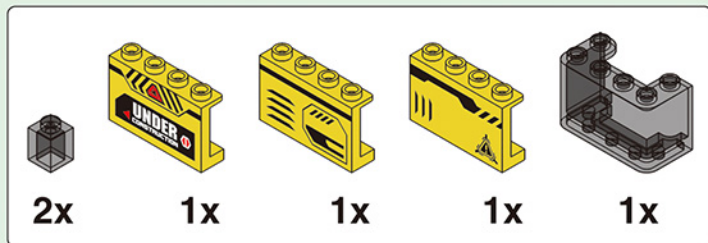
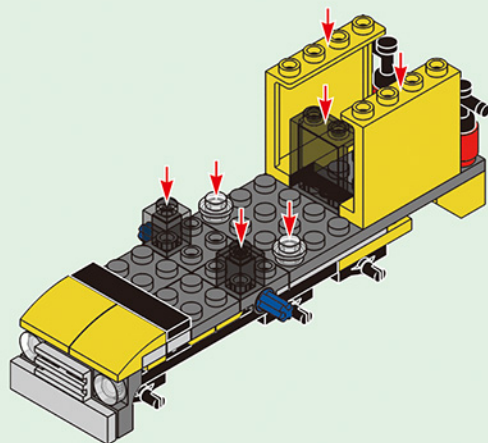


8

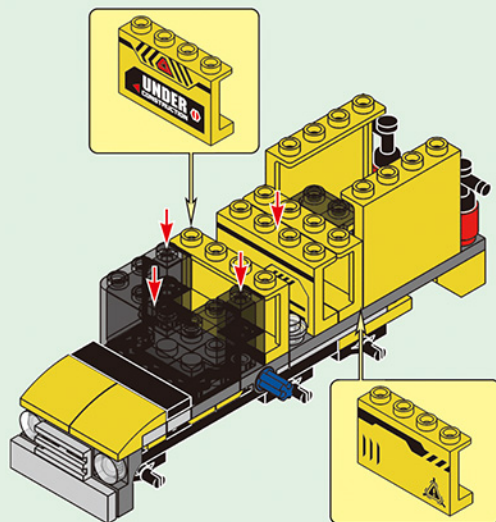


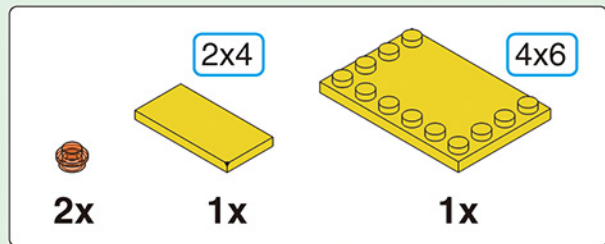


9

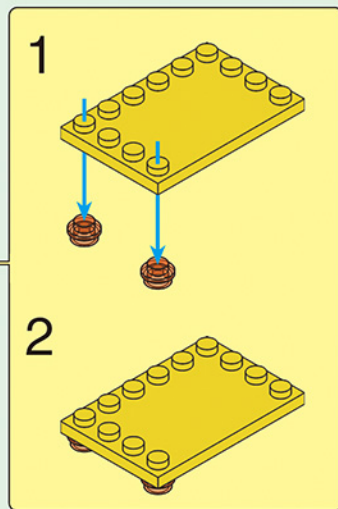
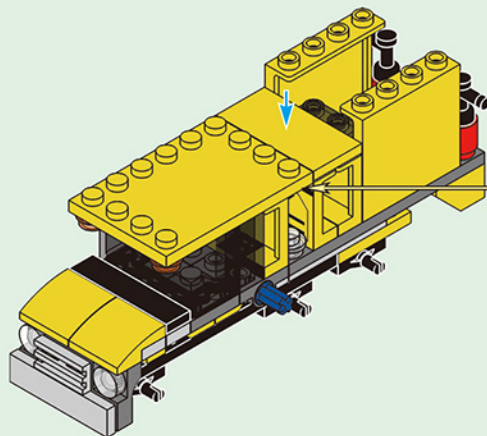


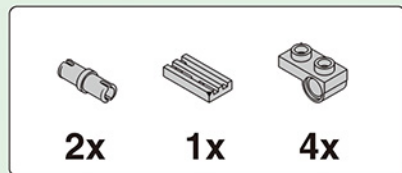
10



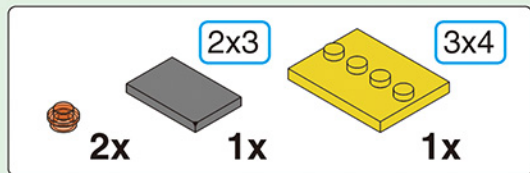
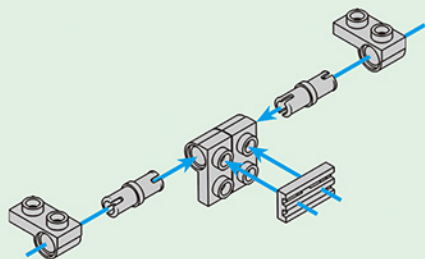


11

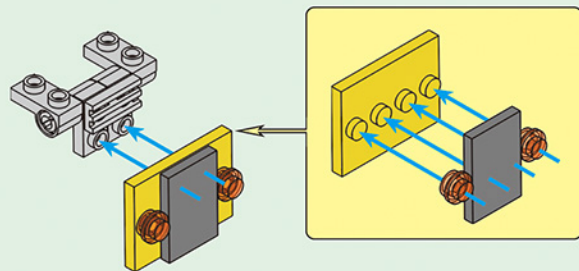




12.1

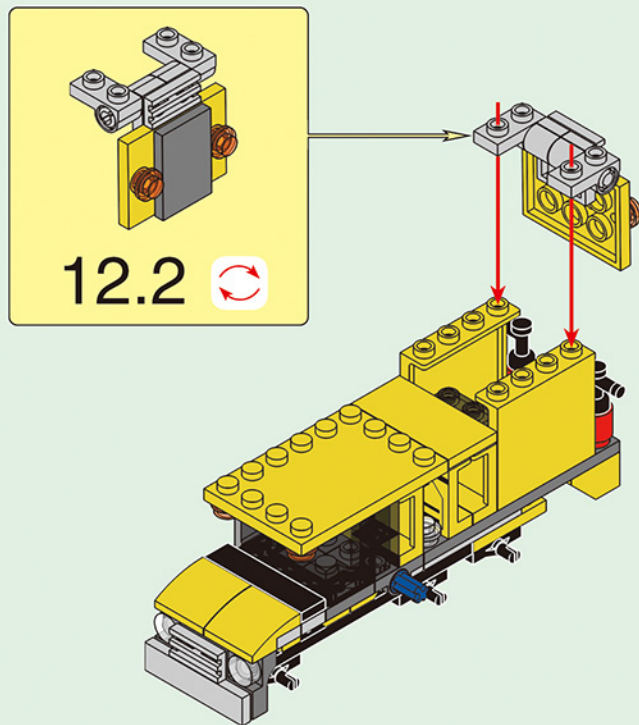


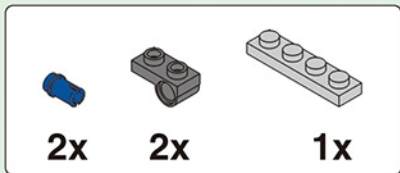
12.2



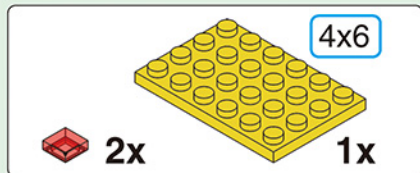
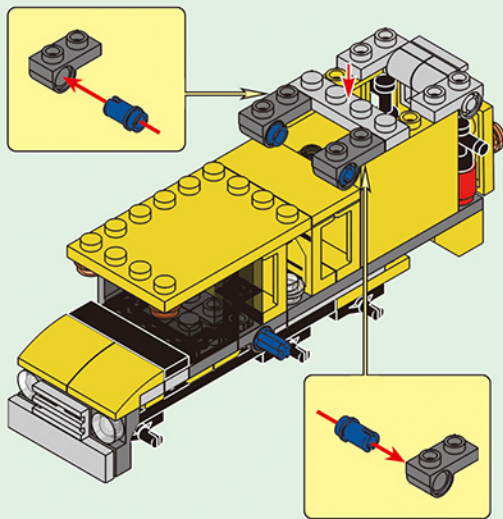


# 12

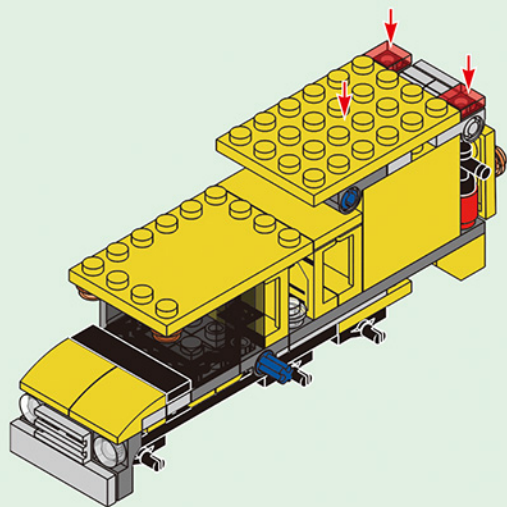


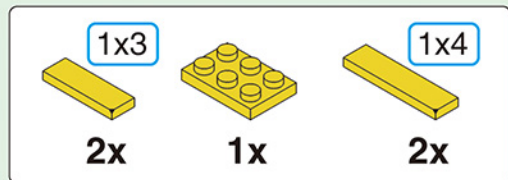


13

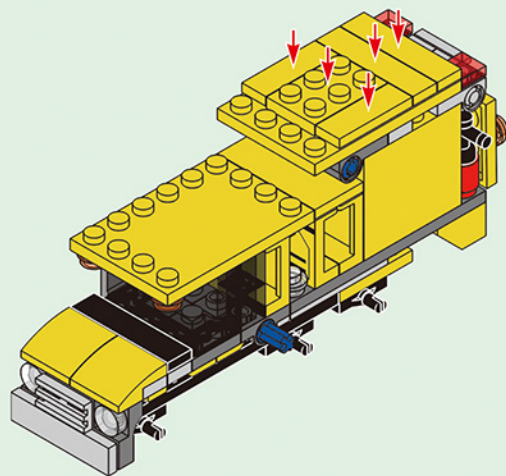


14

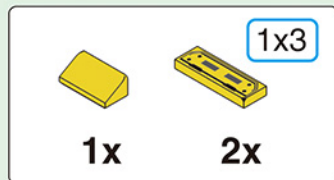




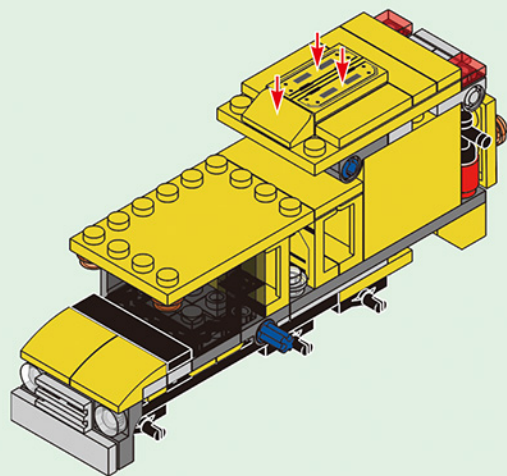
15

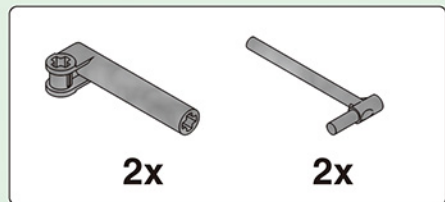


11

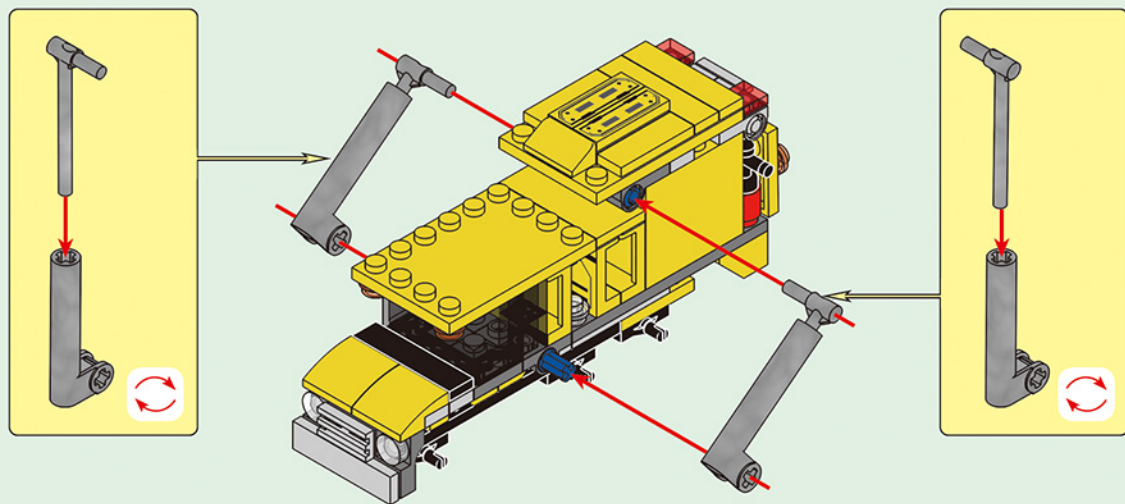


16





17



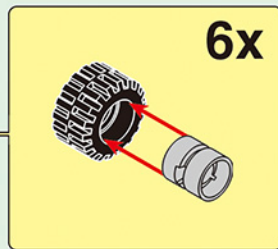
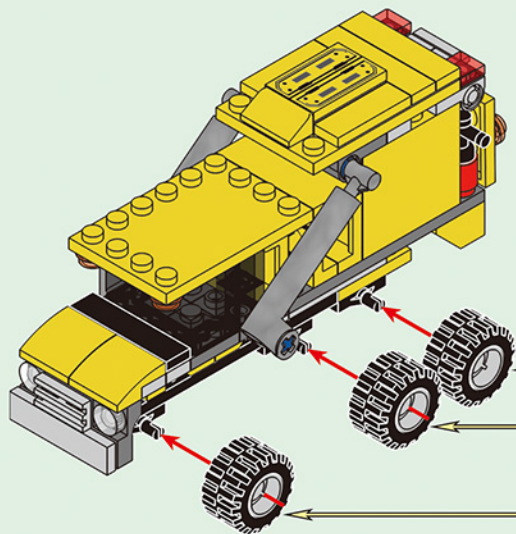


6x



6x

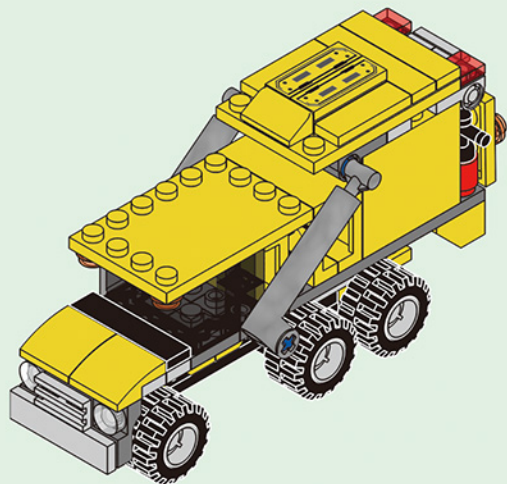
18



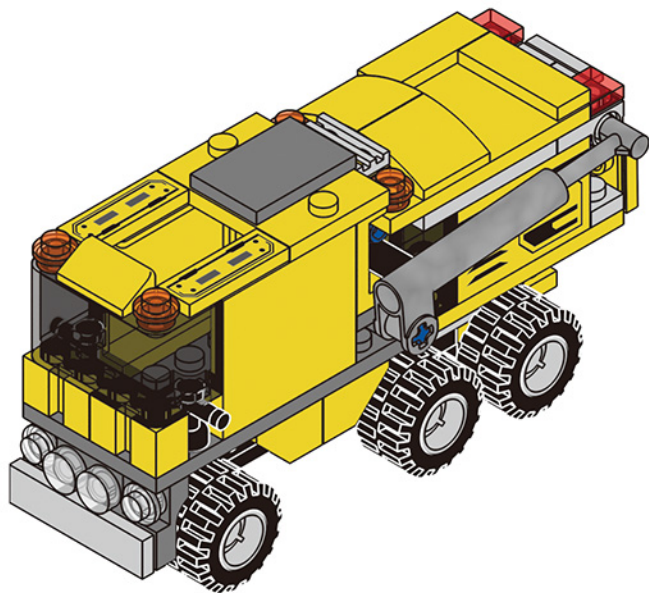
13



19



A-2



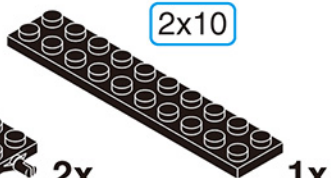
2x10



1x

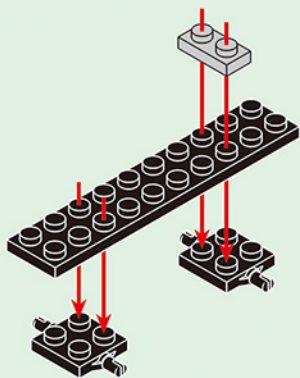


2x



1x

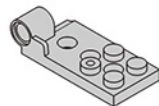
1



1x

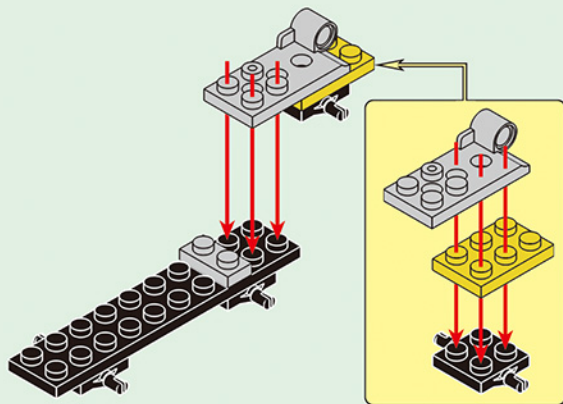


1x

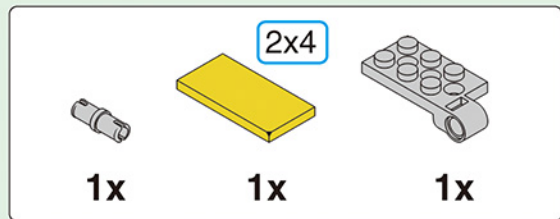


1x

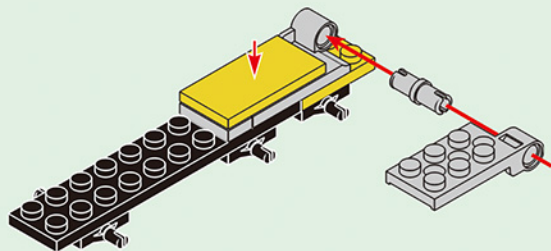
2



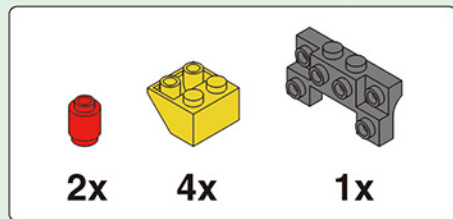
16



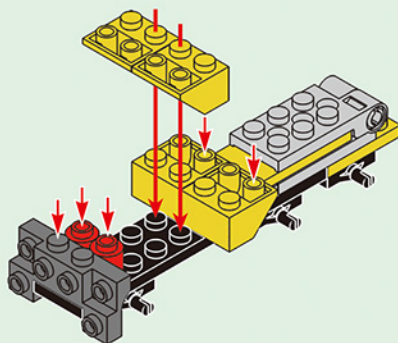
3

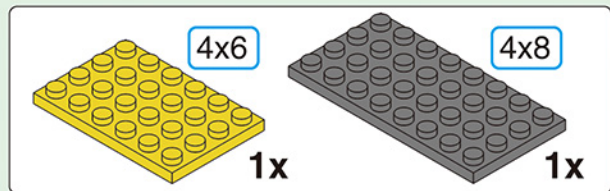


17

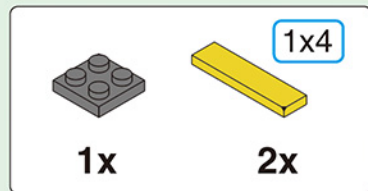
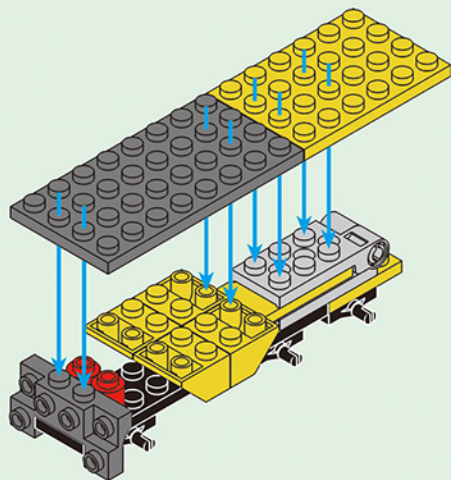


4

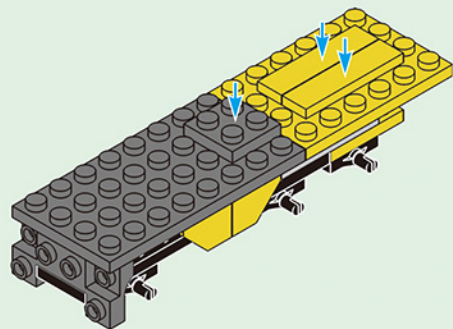




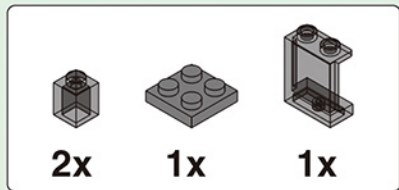
5



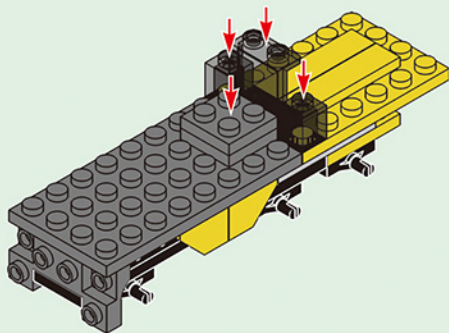
6



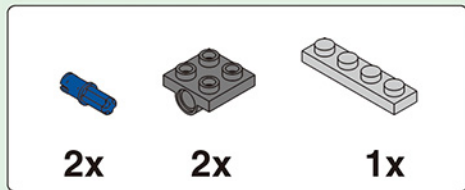




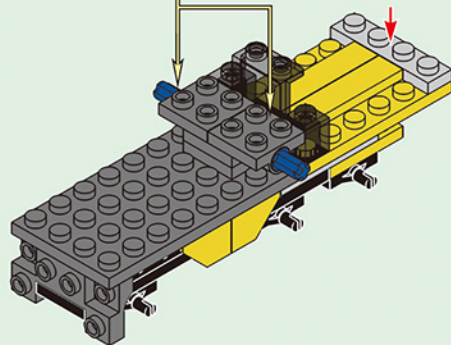
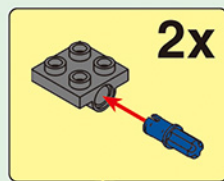
7

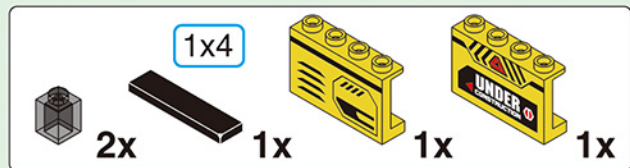


19

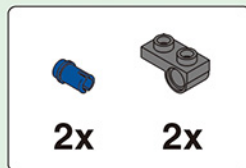
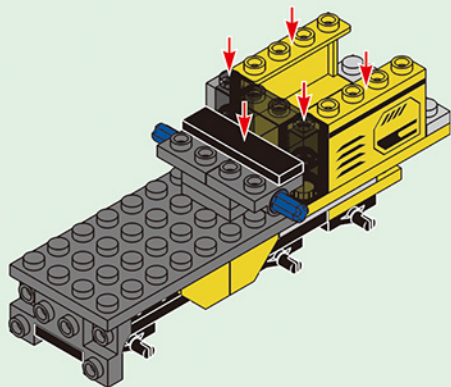


8

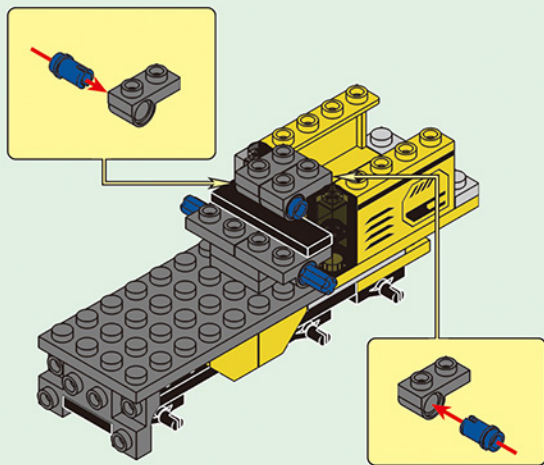




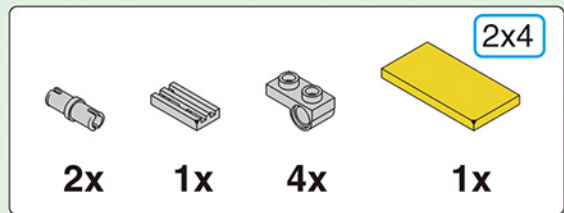
9



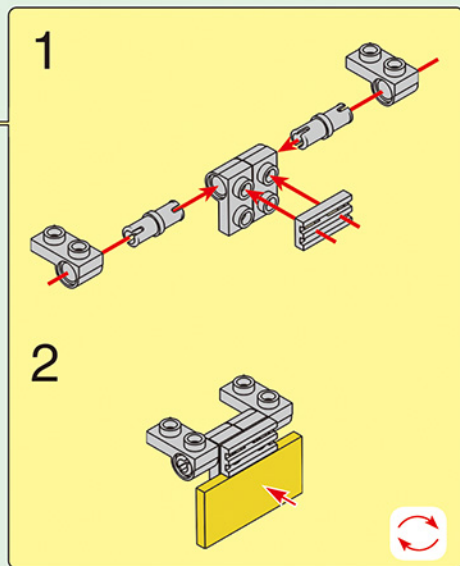
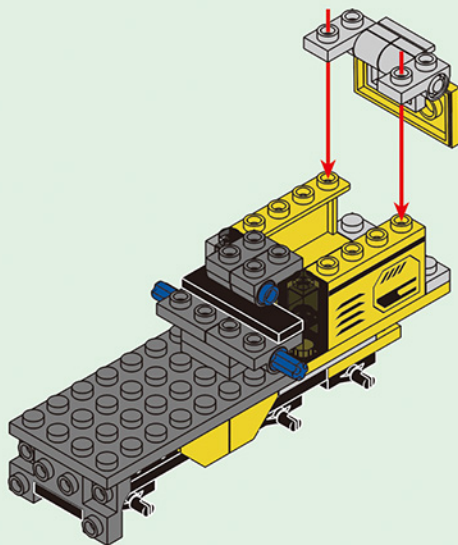
10

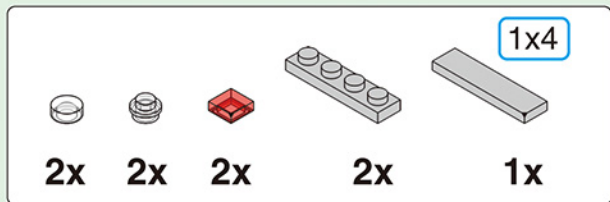


20

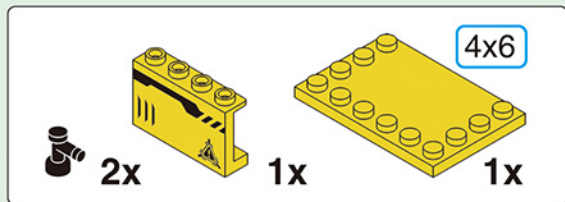
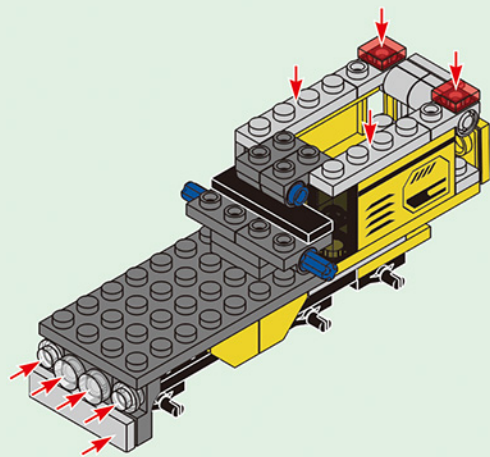


11

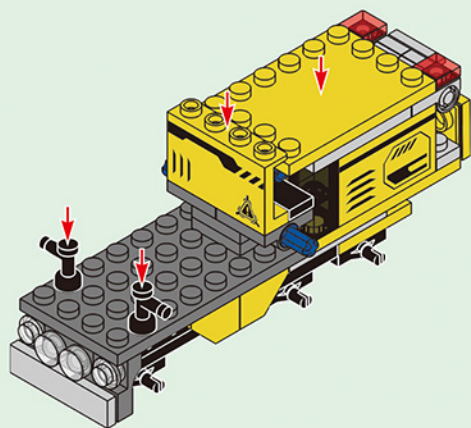


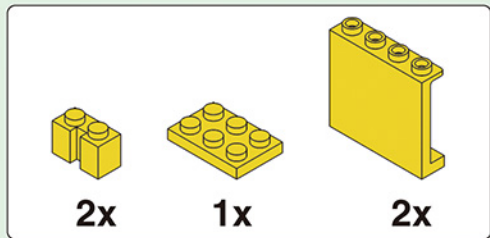


12

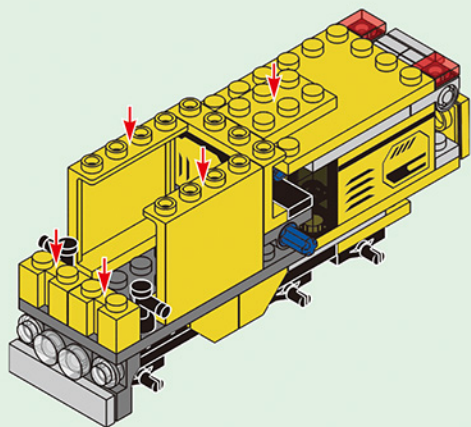


13

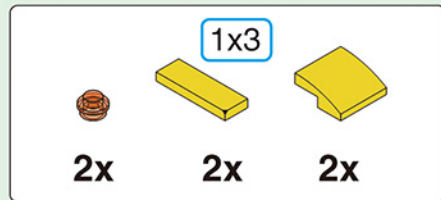




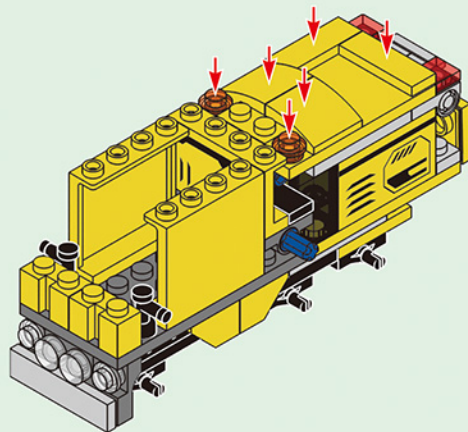
14

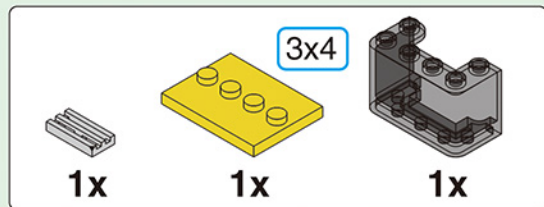


23

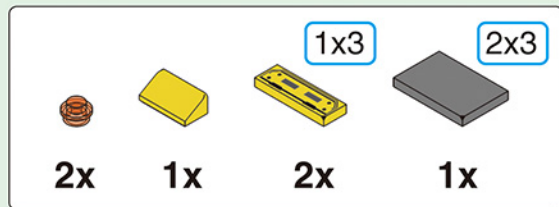
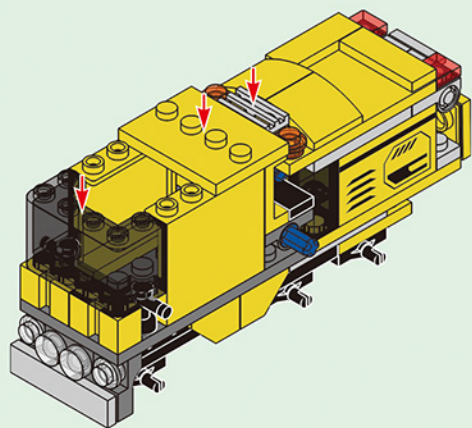


15

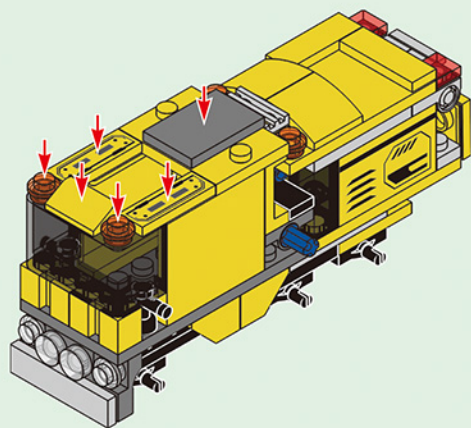


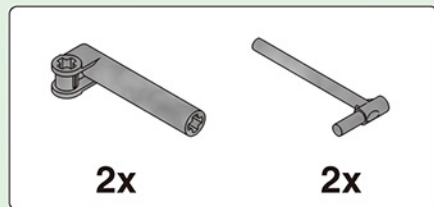


16

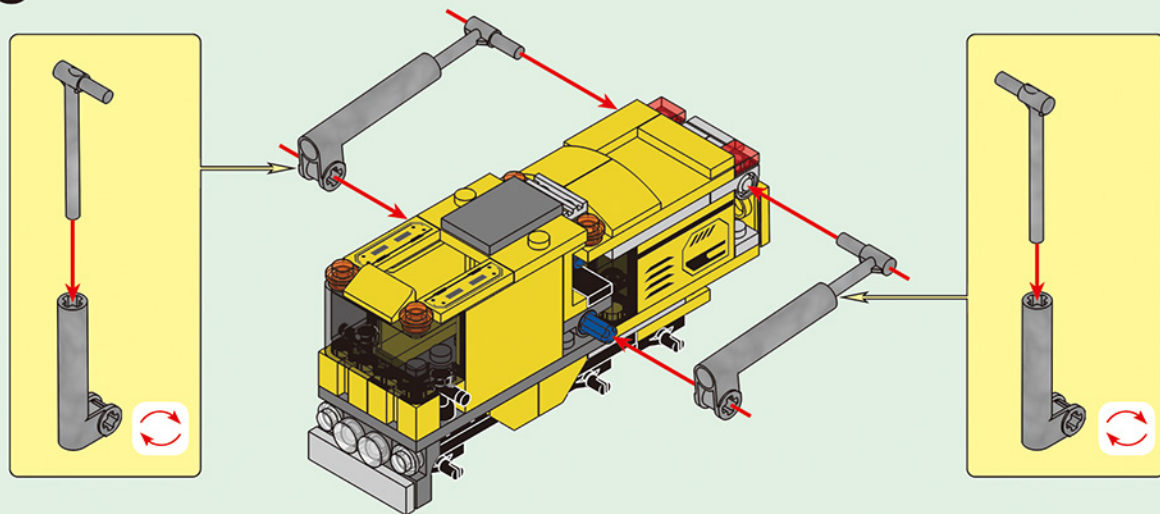


17





18



25

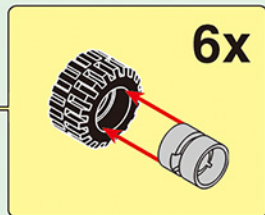
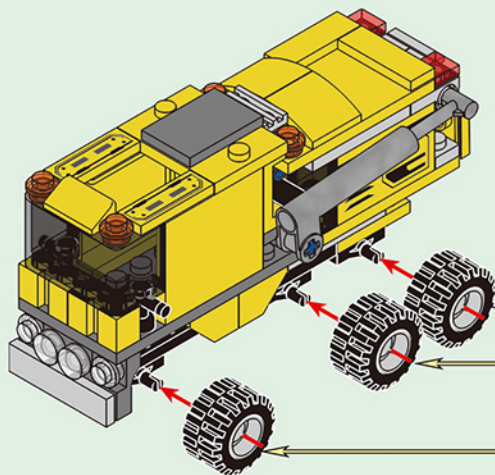


6x



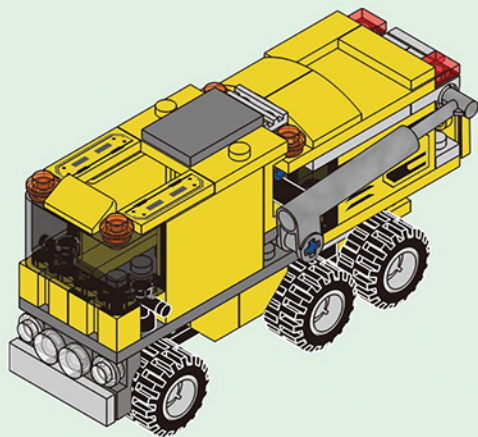
6x

19



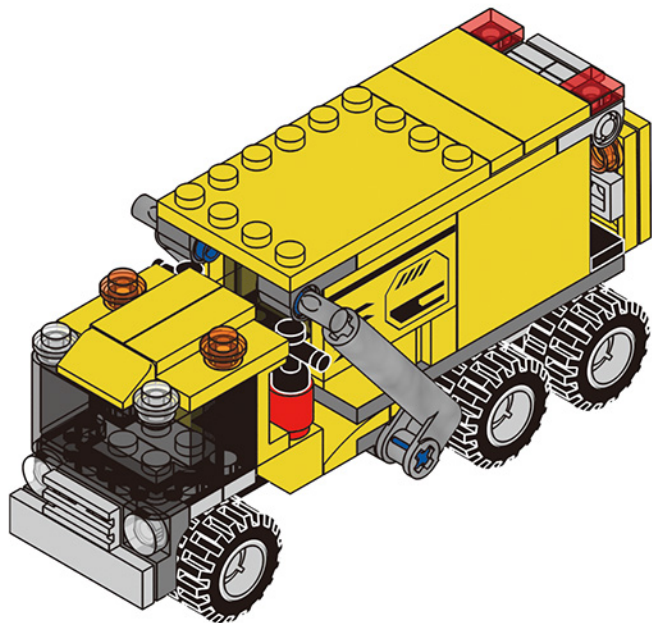


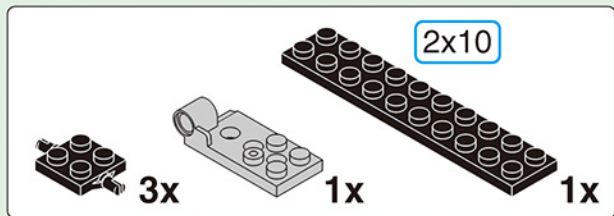
20



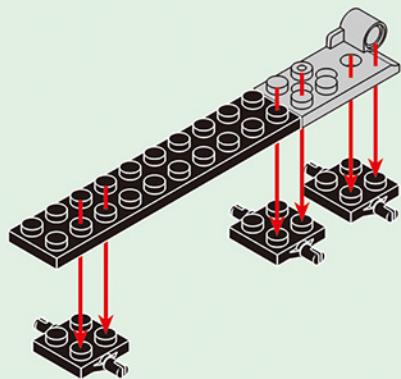
27

A-3

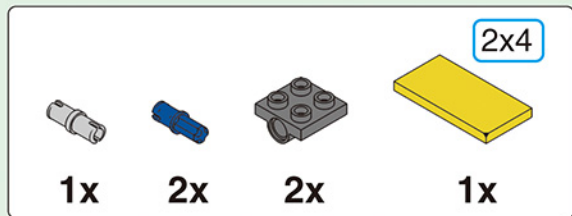




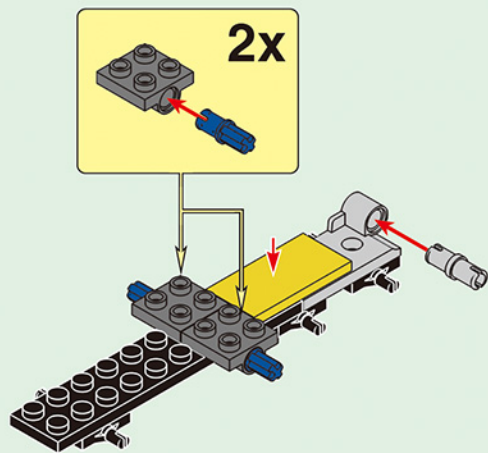
1

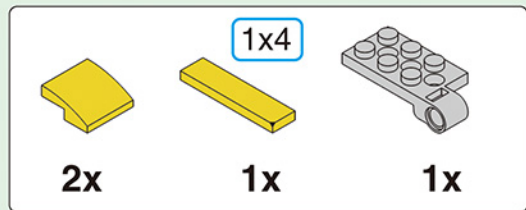


29

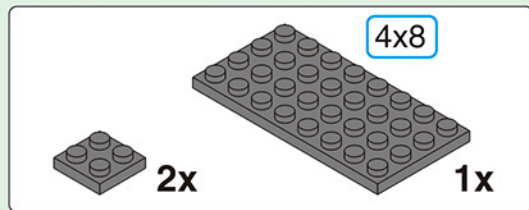
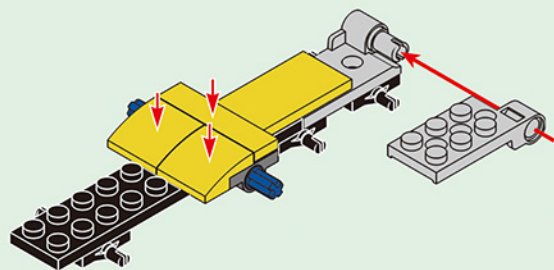


2

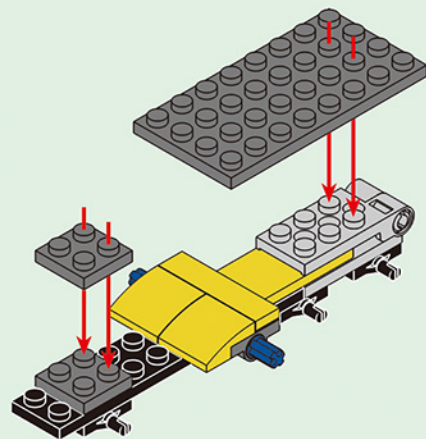


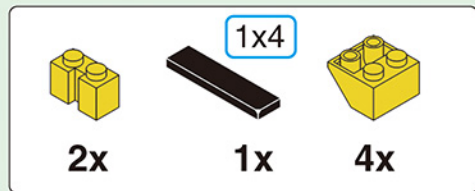


3

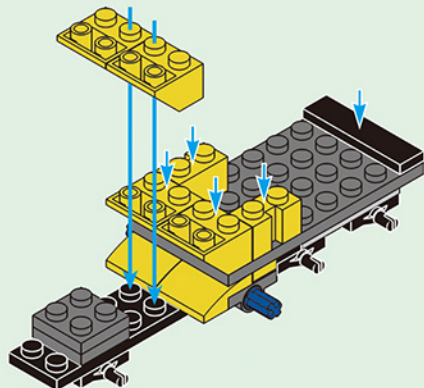


4

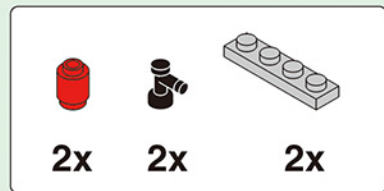




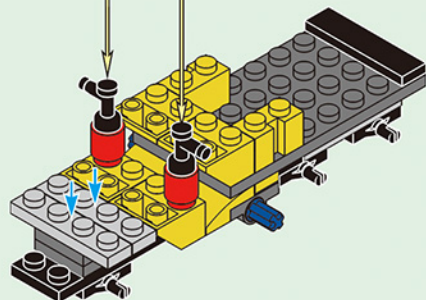
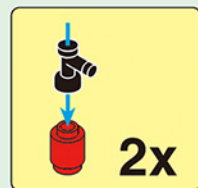
5



31

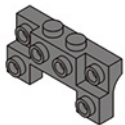


6





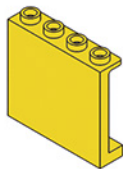
2x



1x

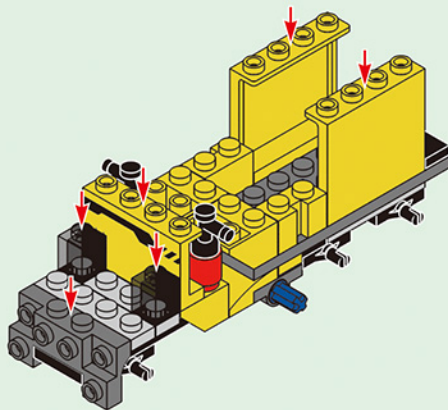


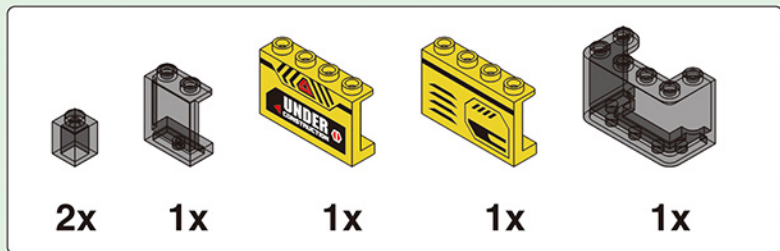
1x



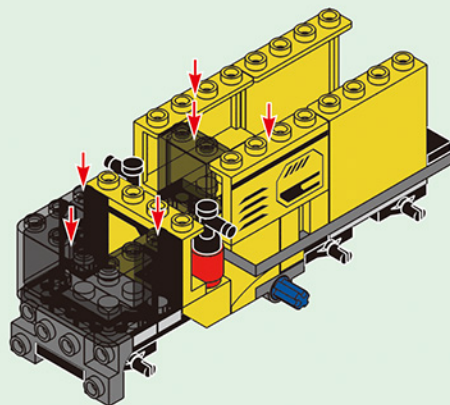
2x

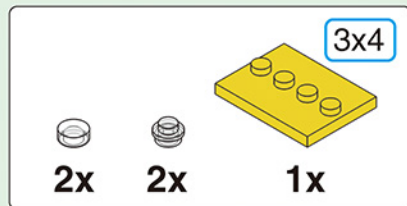
7



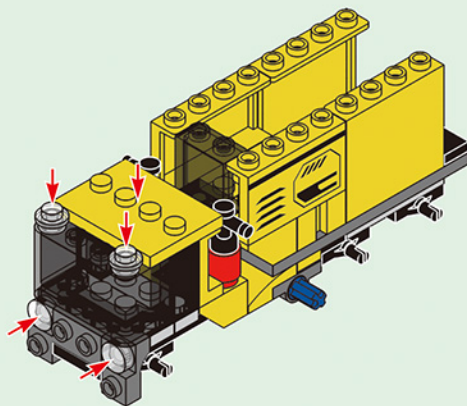


8

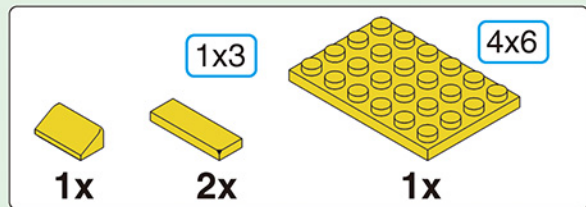




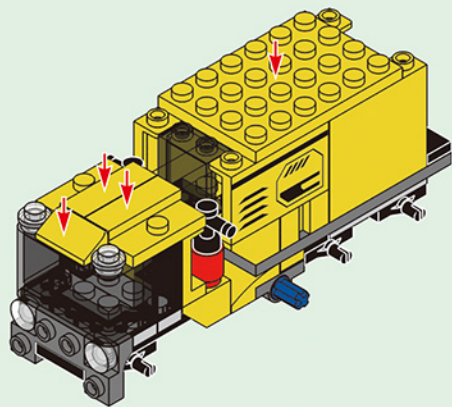
9

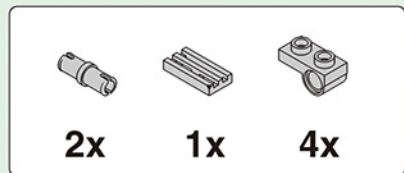




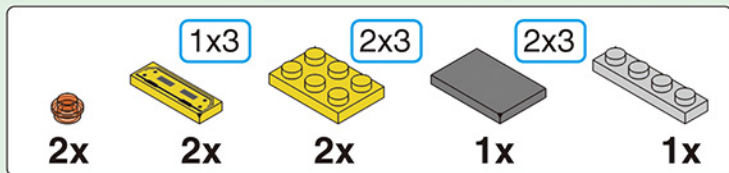
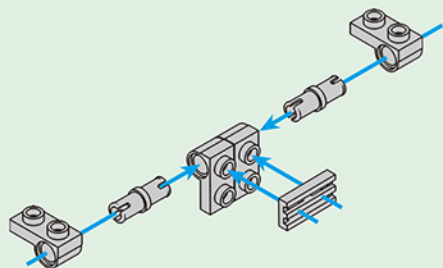


10

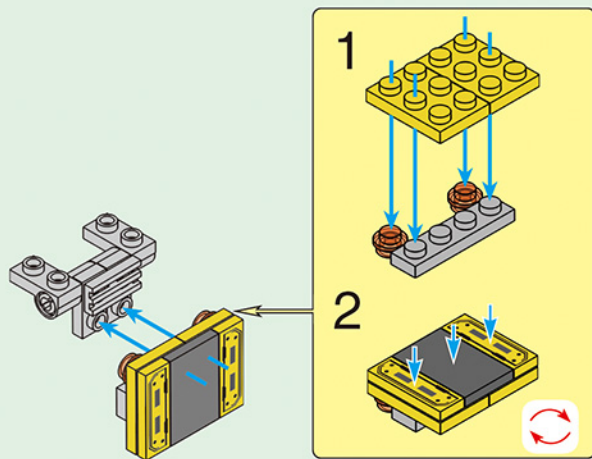




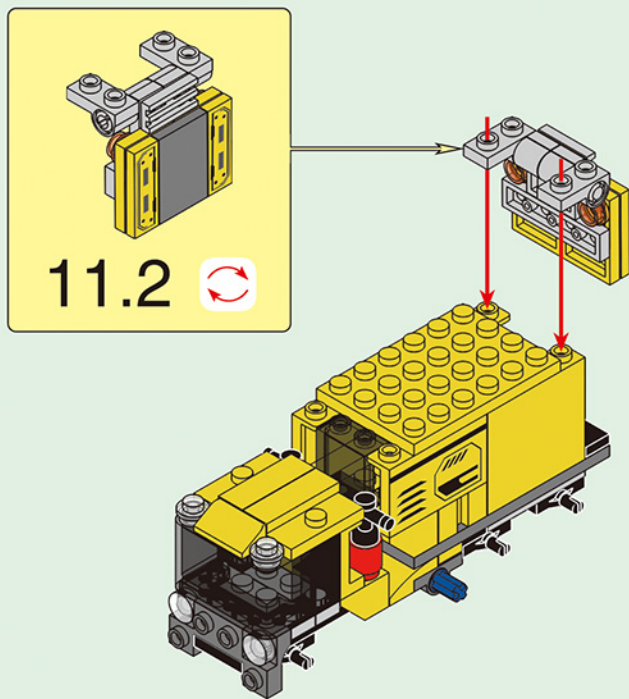
11.1



11.2



# 11





2x



2x

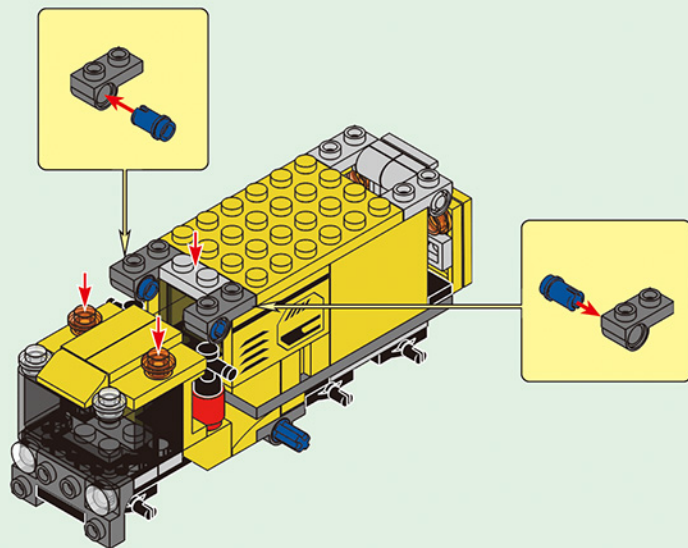


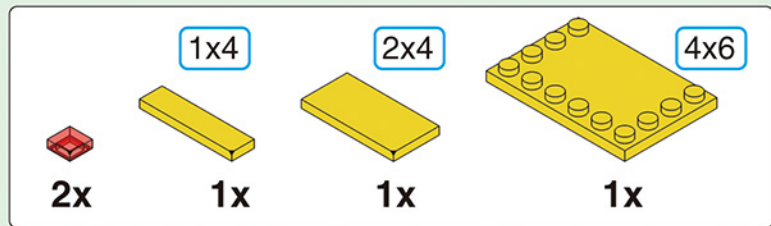
1x



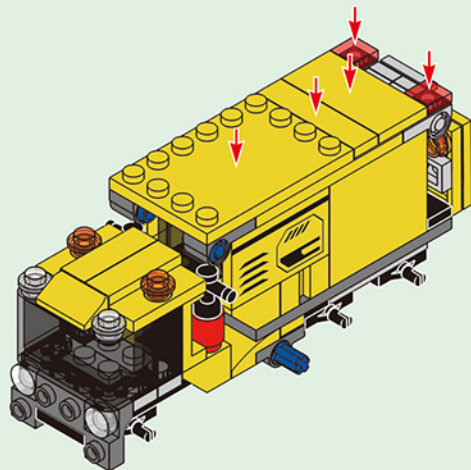
2x

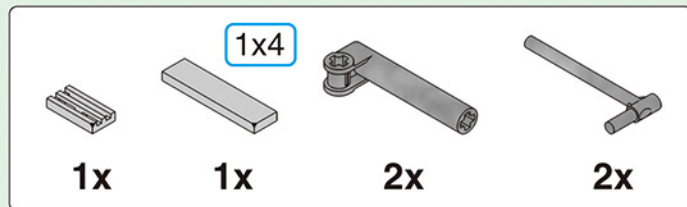
# 12



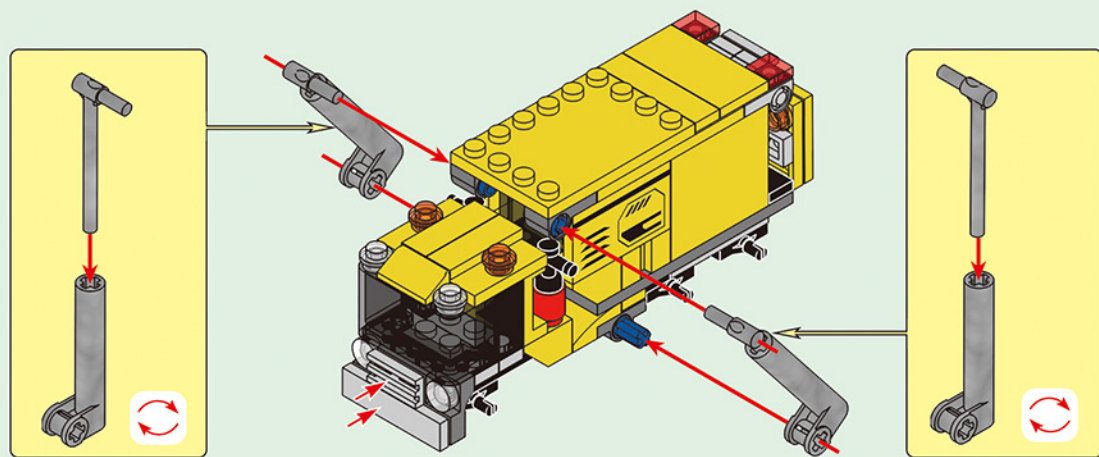


13





14



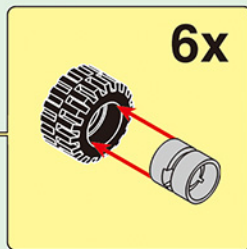
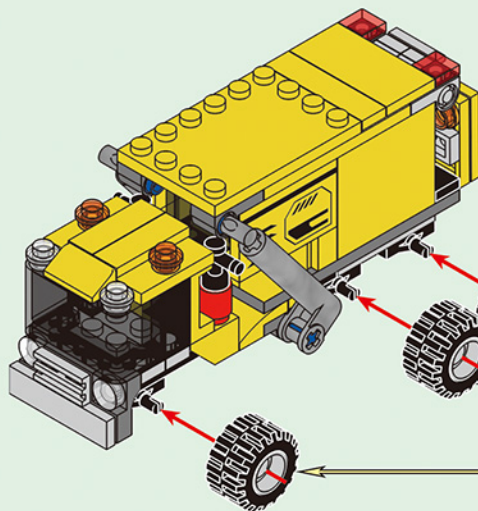


6x

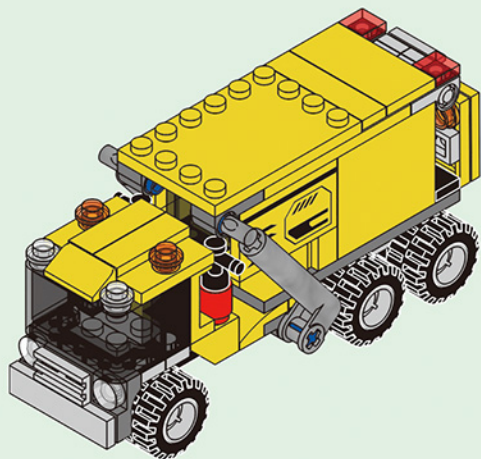


6x

15



16





# SET UP 8 TYPES OF GIANT EXCAVATOR >>>>

**8 IN 1**  
COMBINATORIAL  
DEFORMATION

