

CaDA

MECHANICAL
work laboratory



10

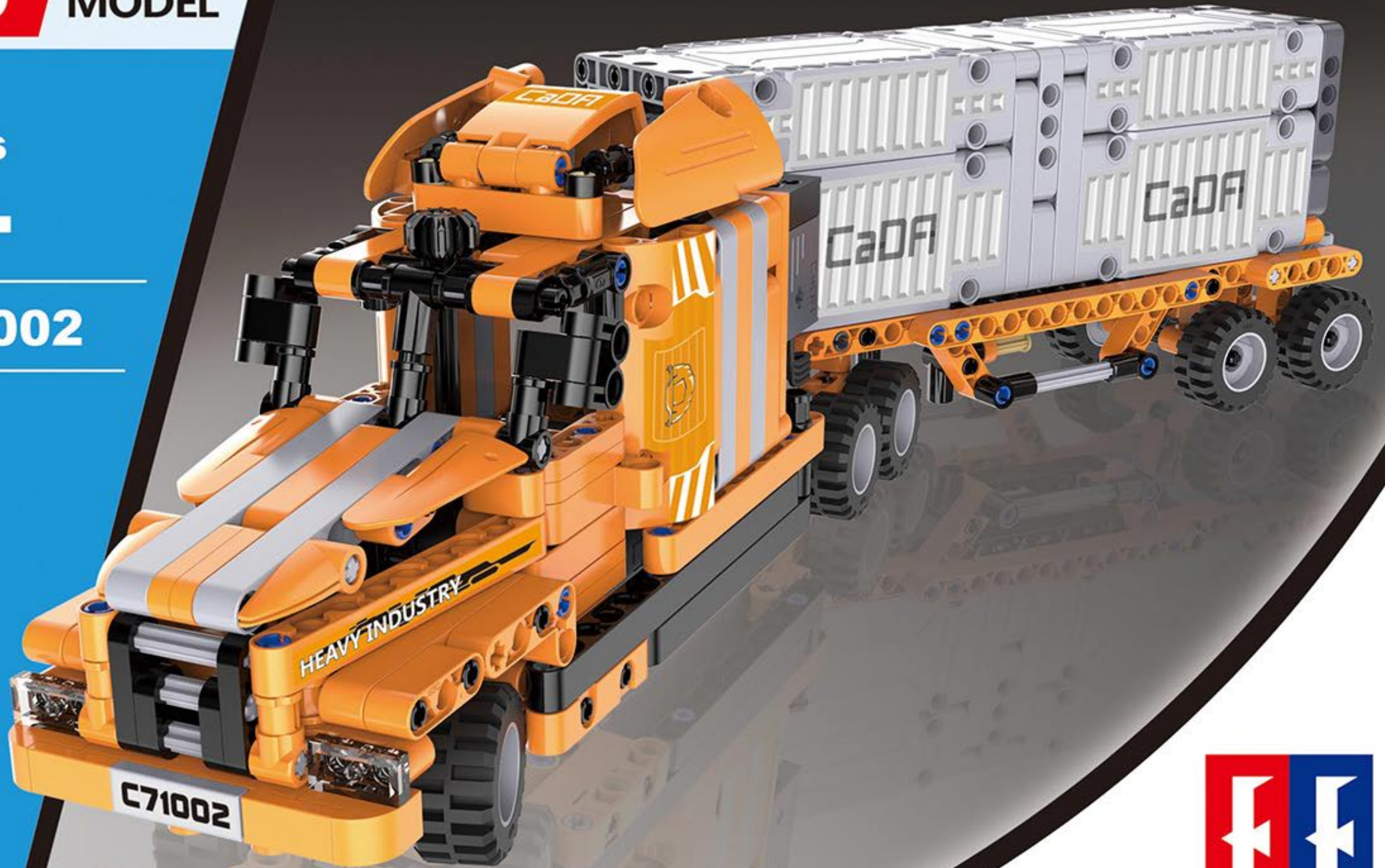
MODEL

Ages

6+

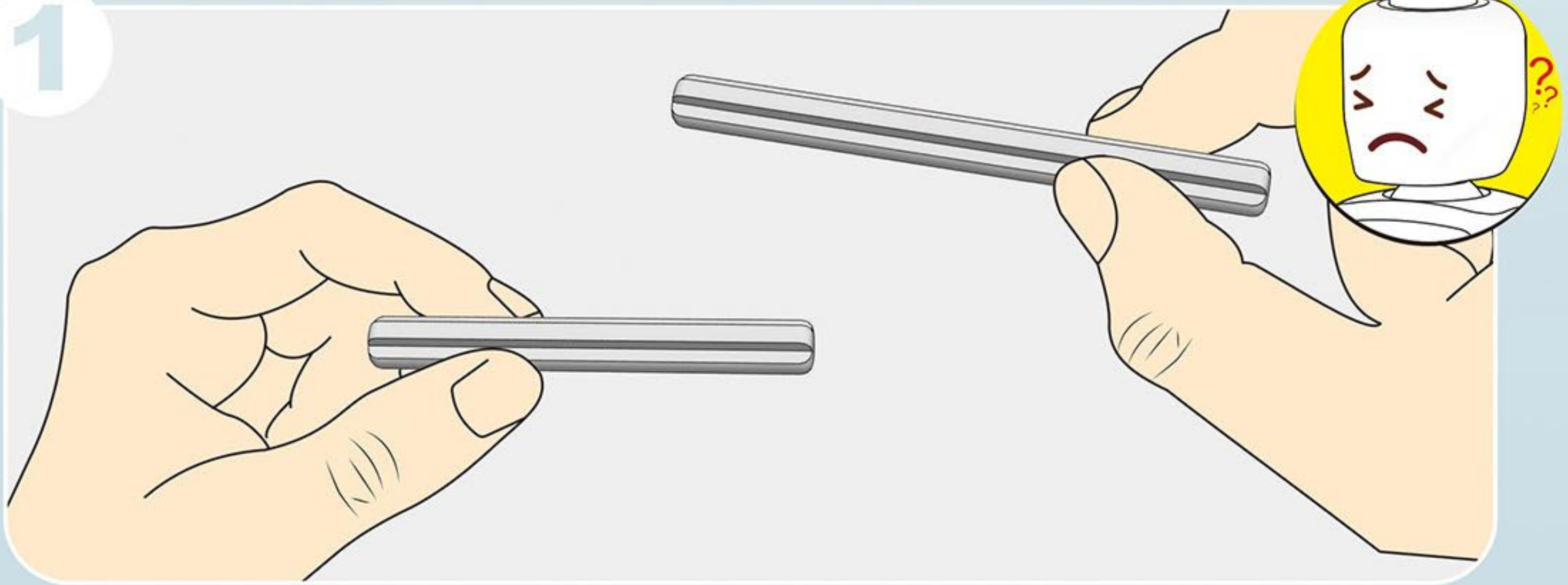
C71002

**634
PCS**

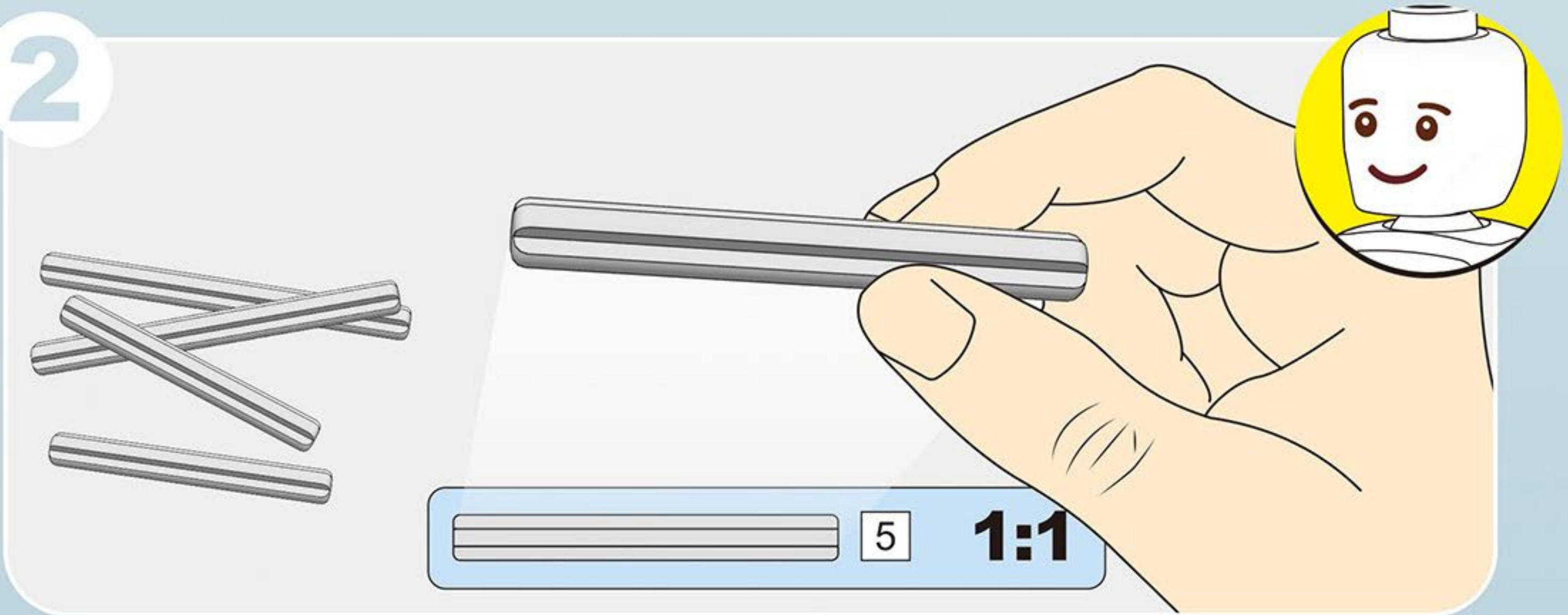


DOUBLE E

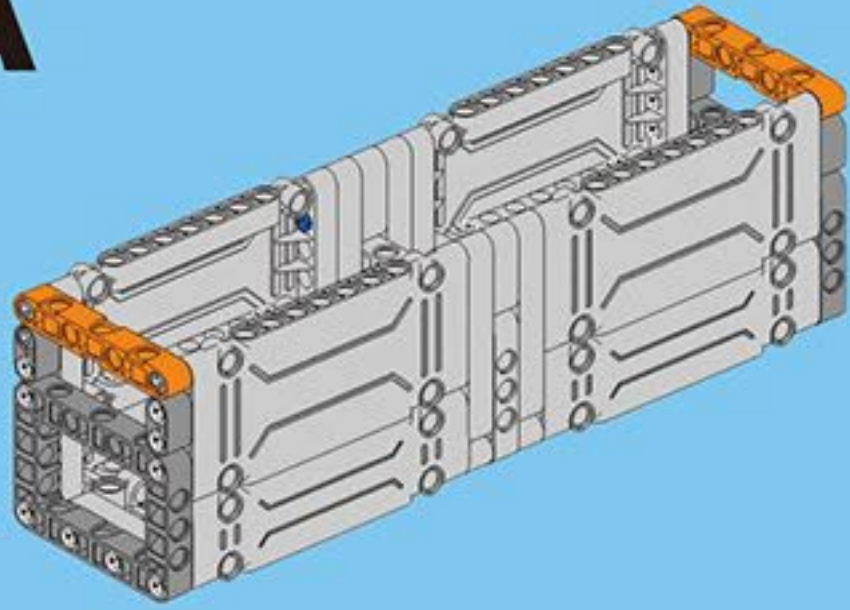
1



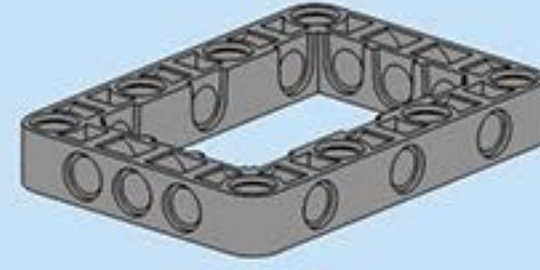
2



A

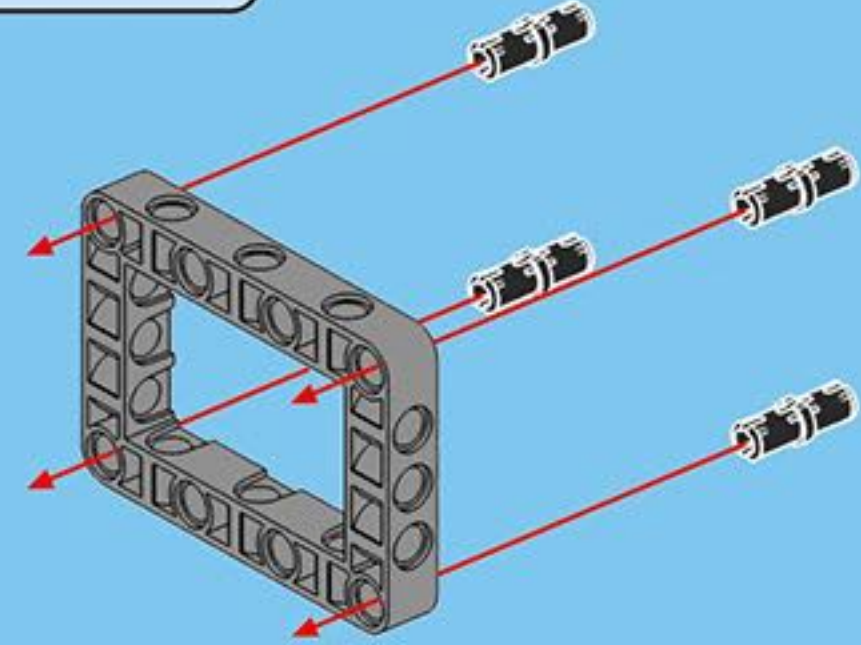


x4

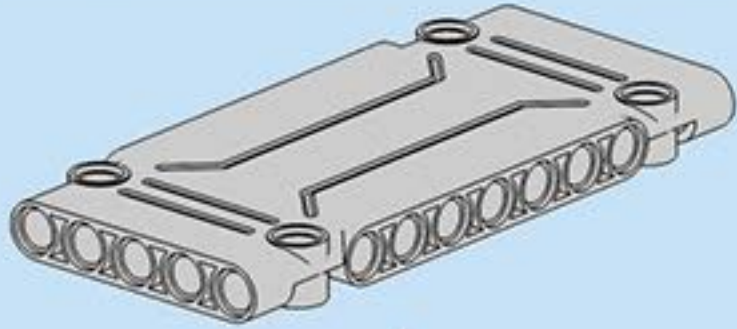


x1

A1

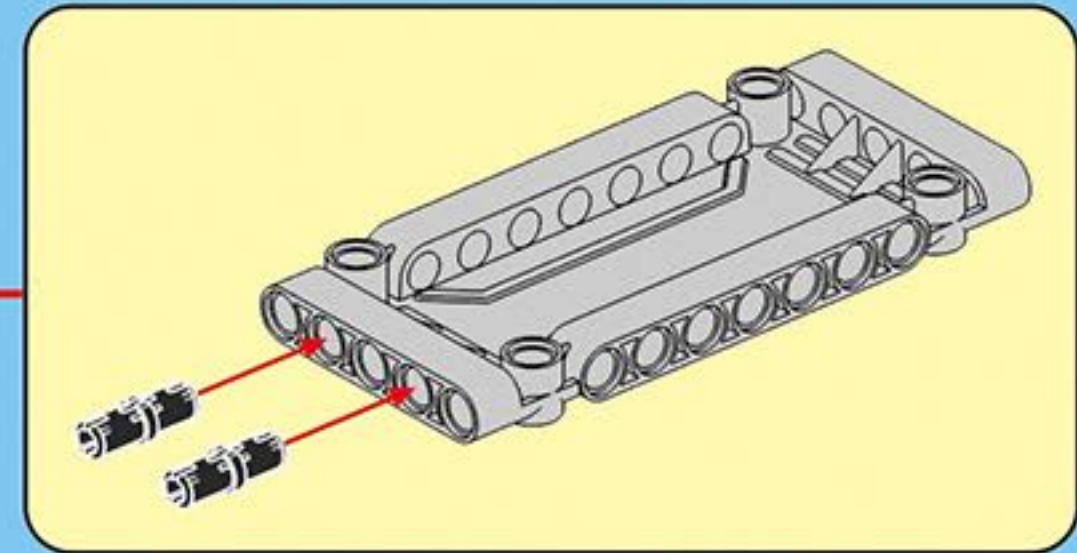
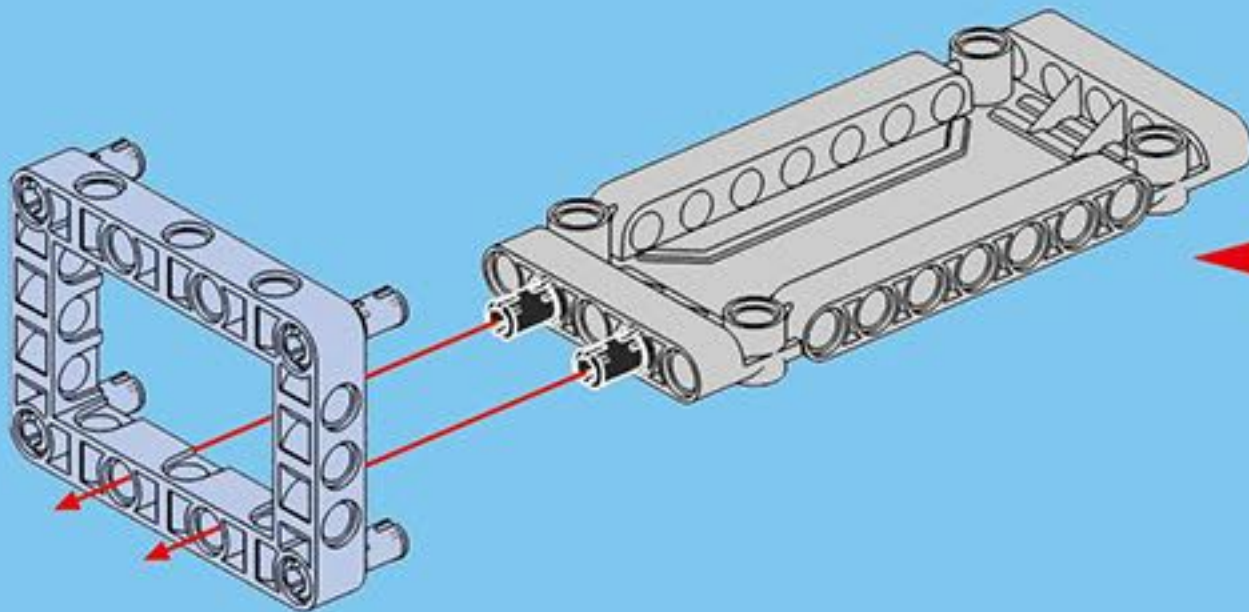


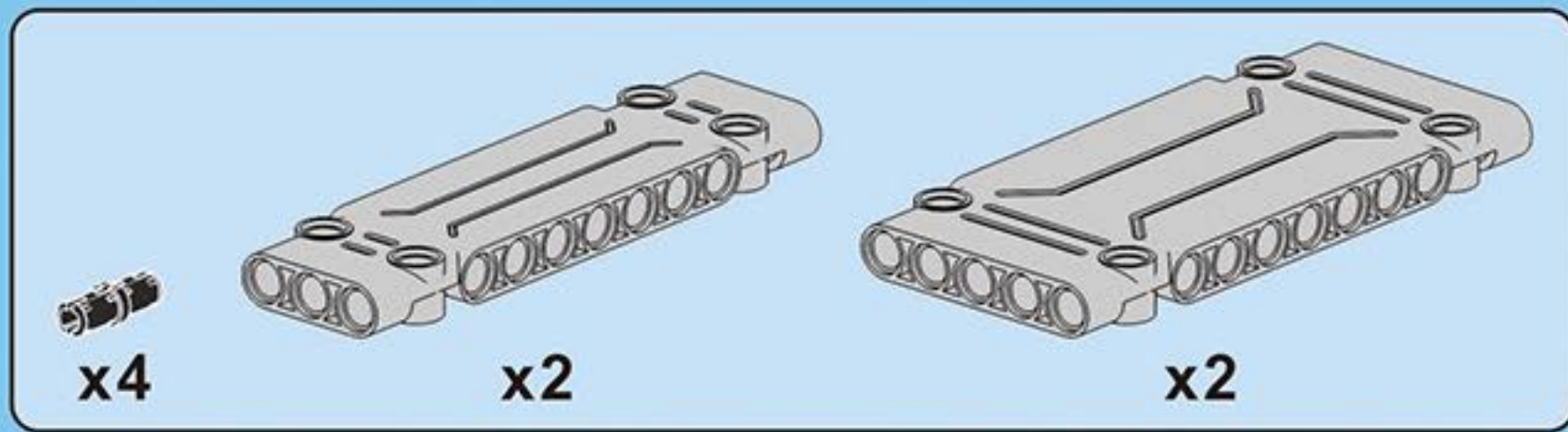
x2



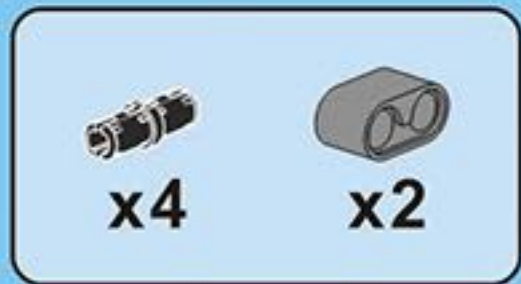
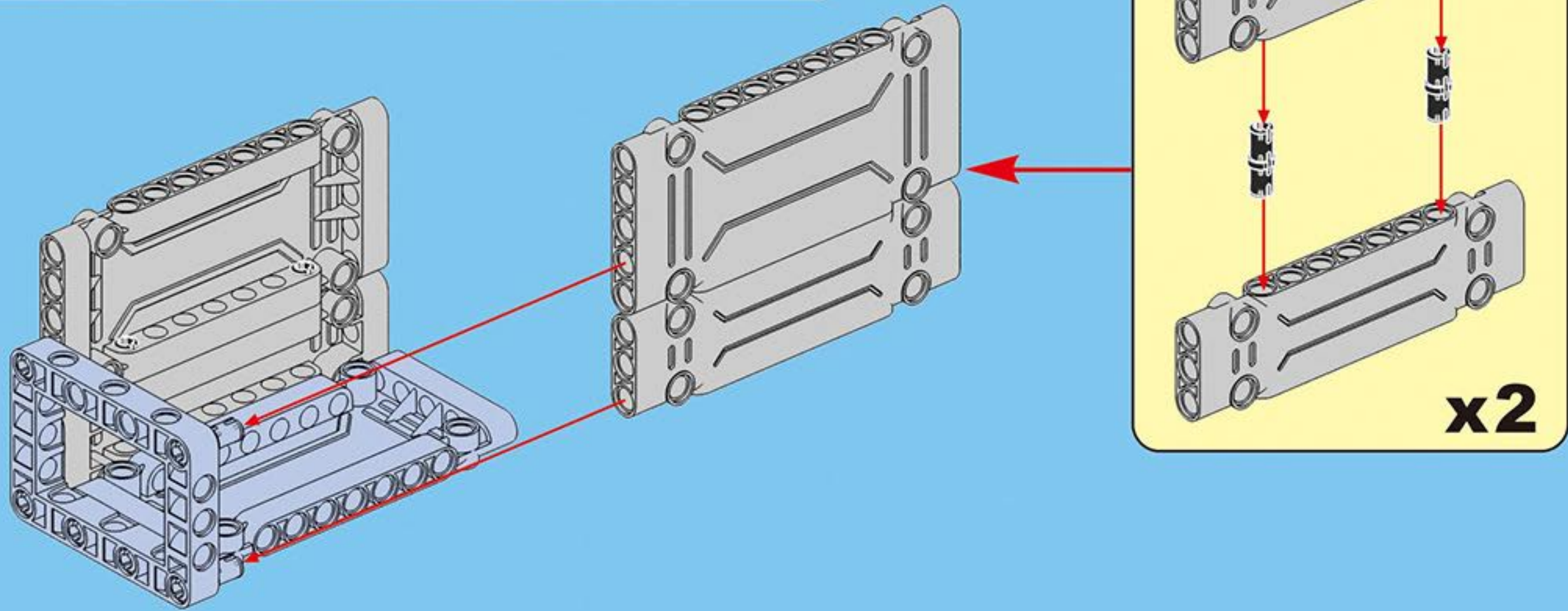
x1

A2

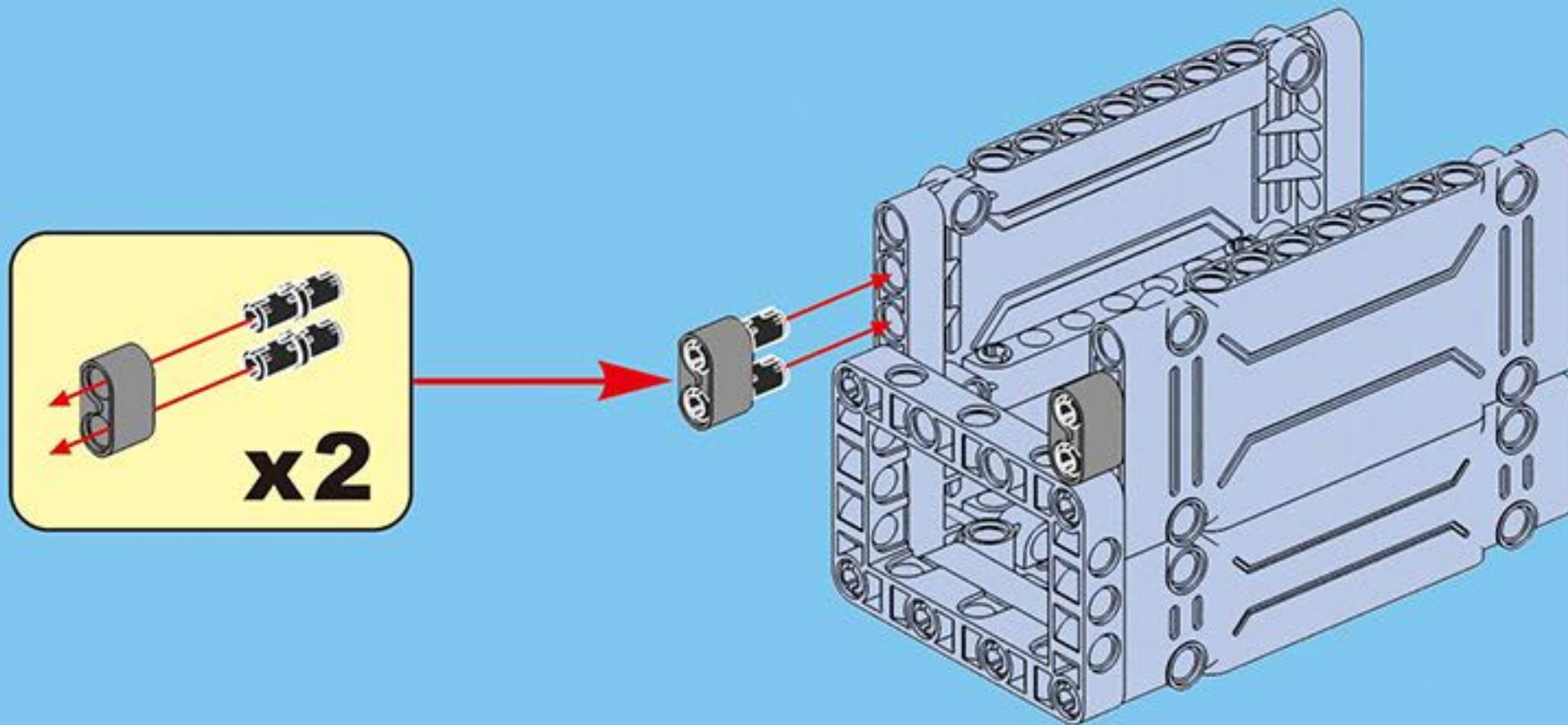


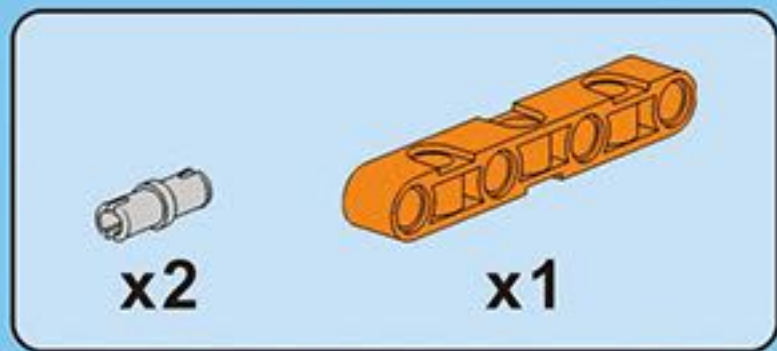


A3

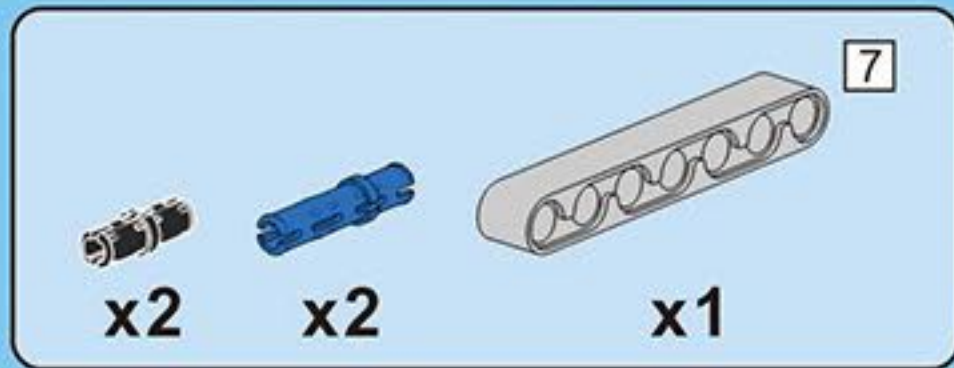
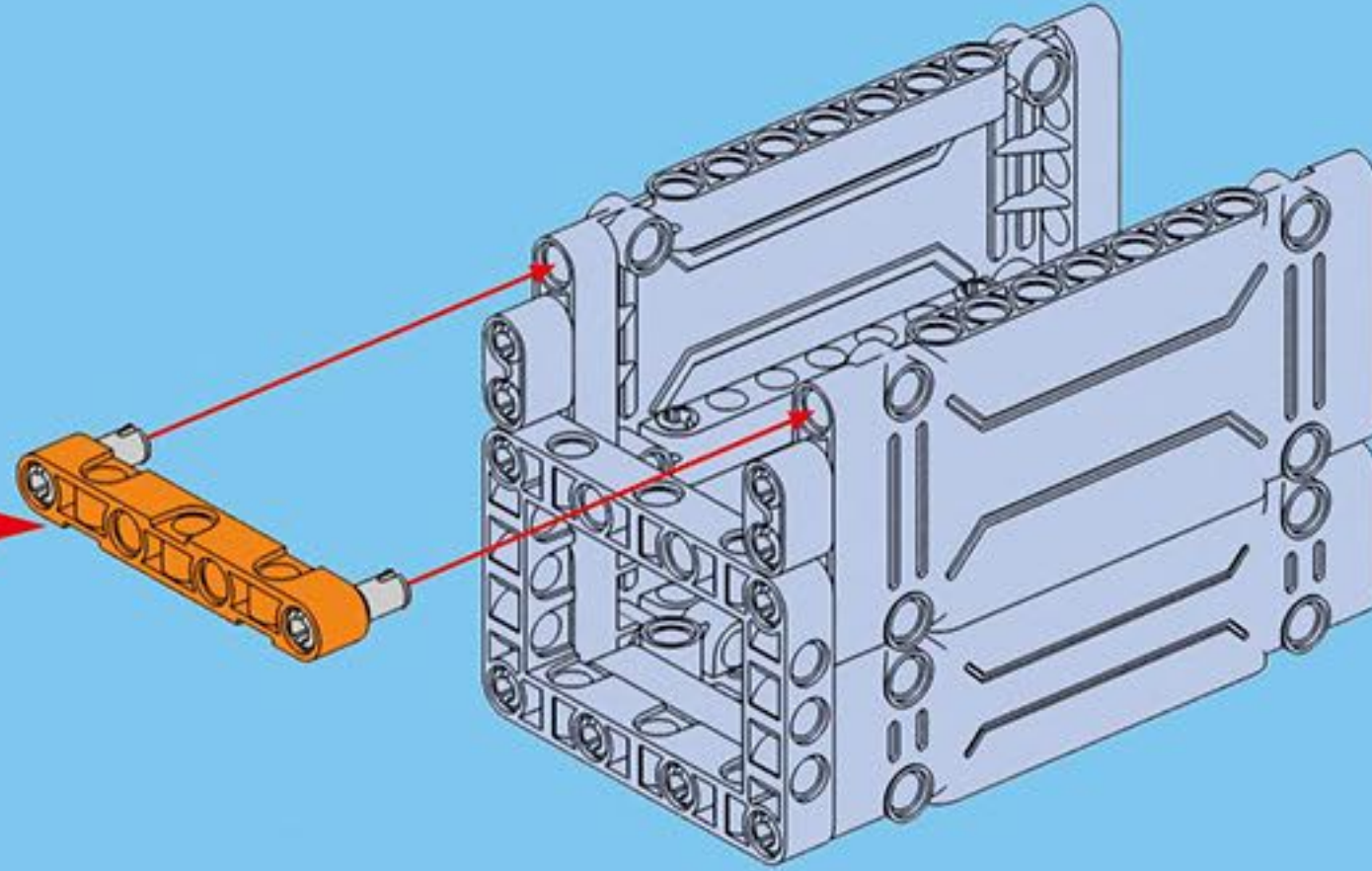
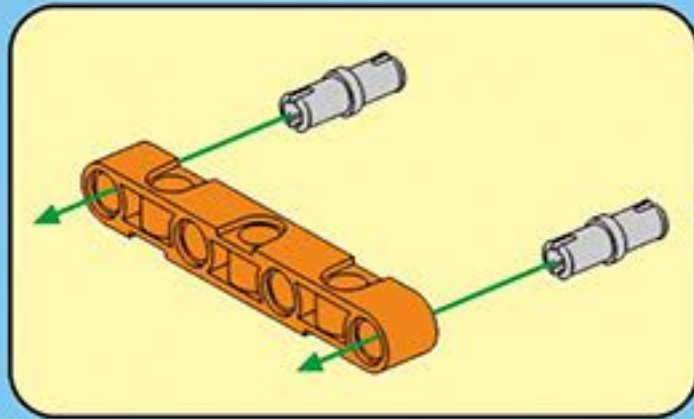


A4

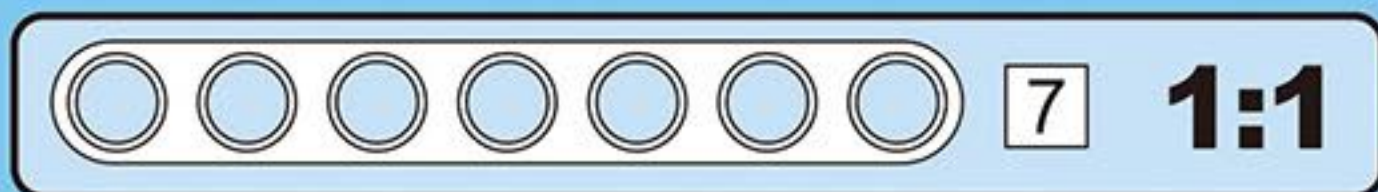
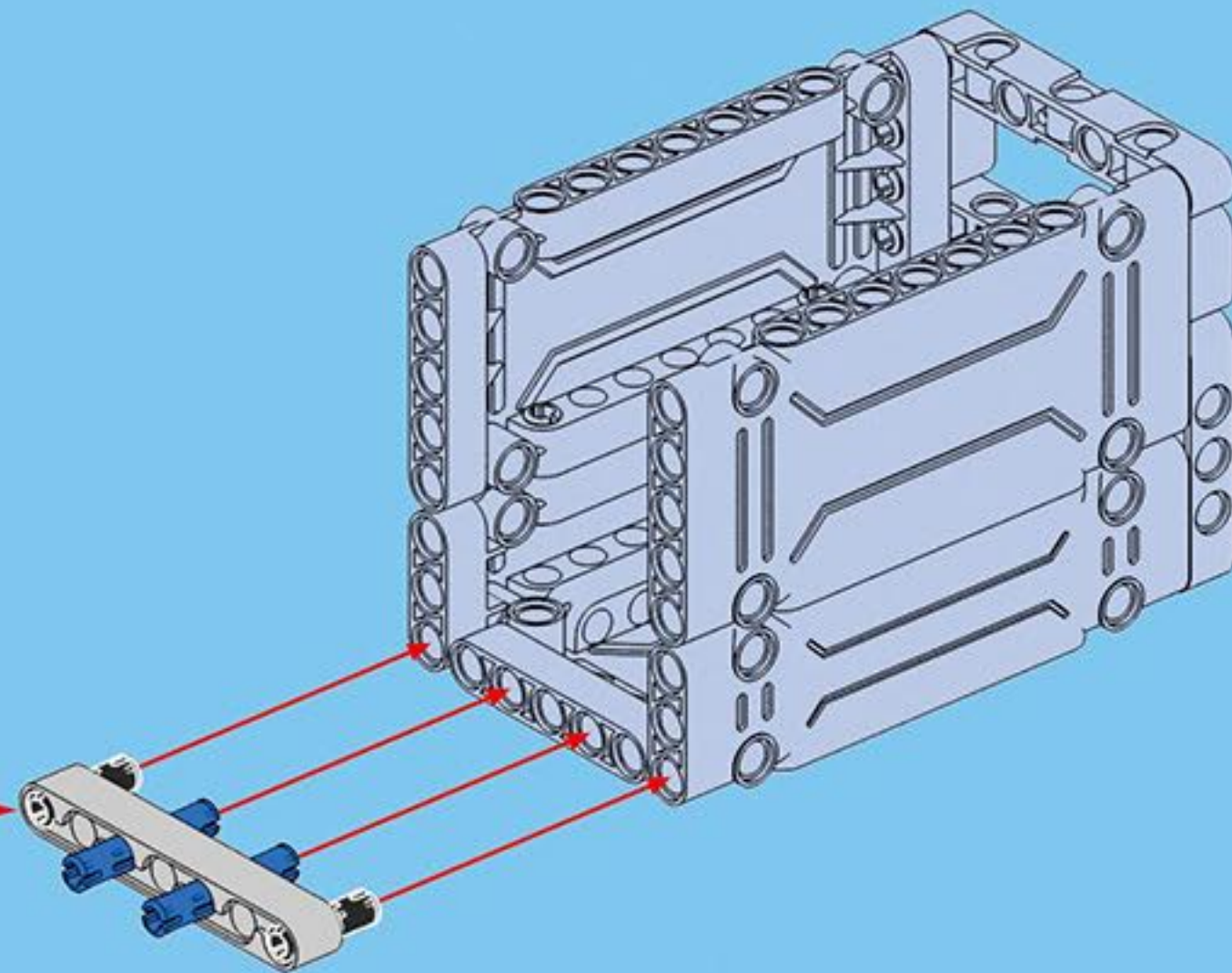
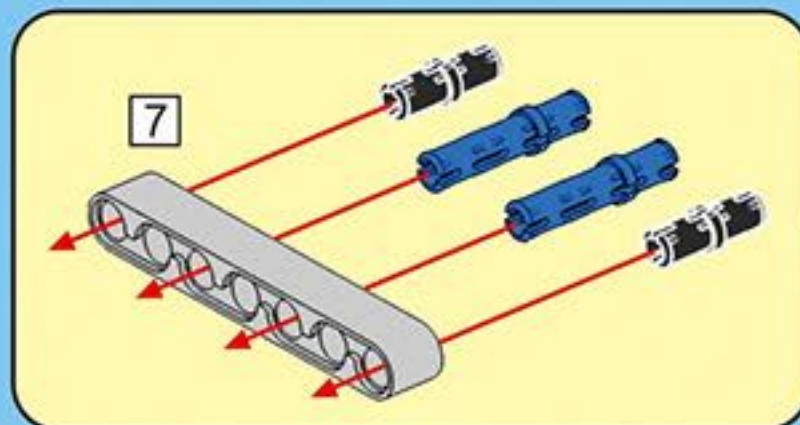


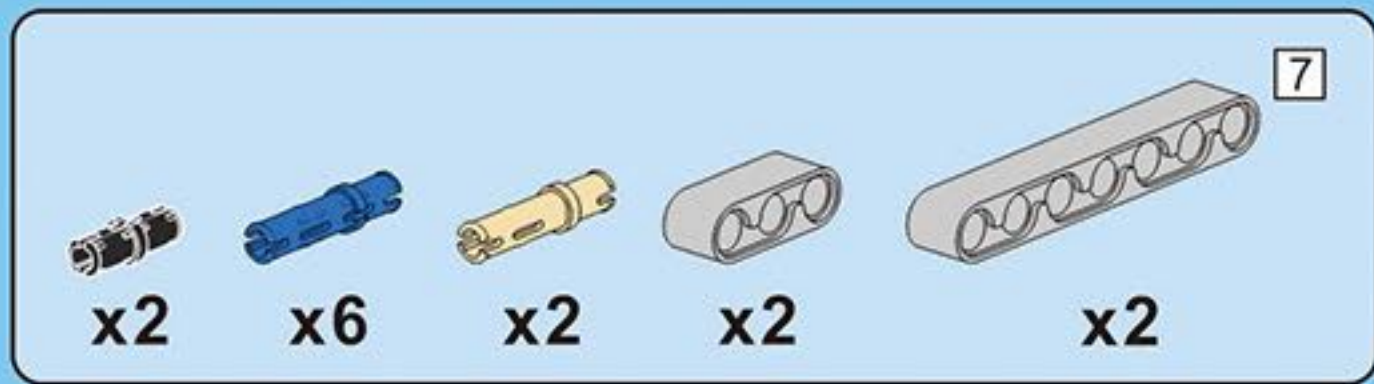


A5

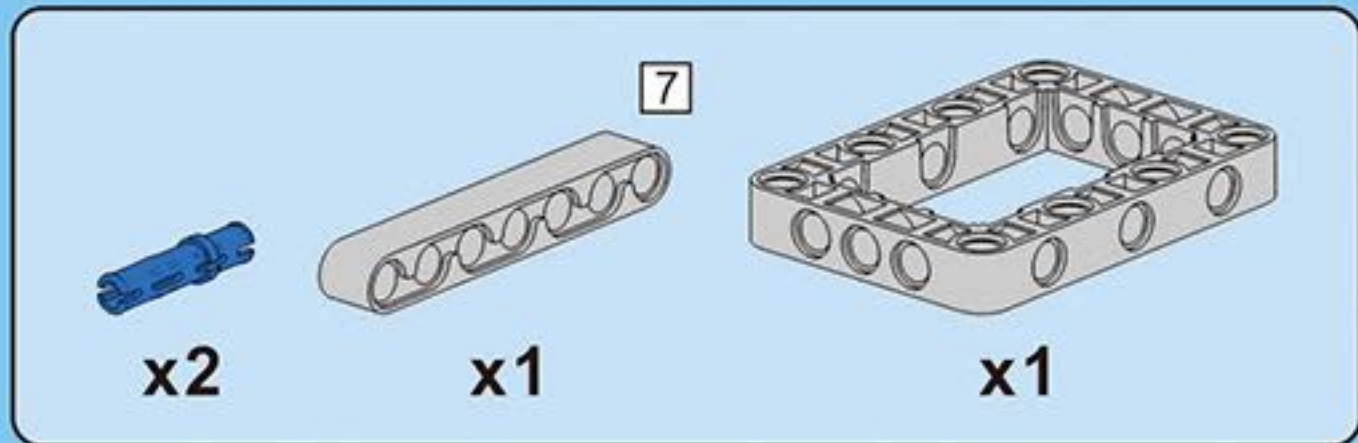
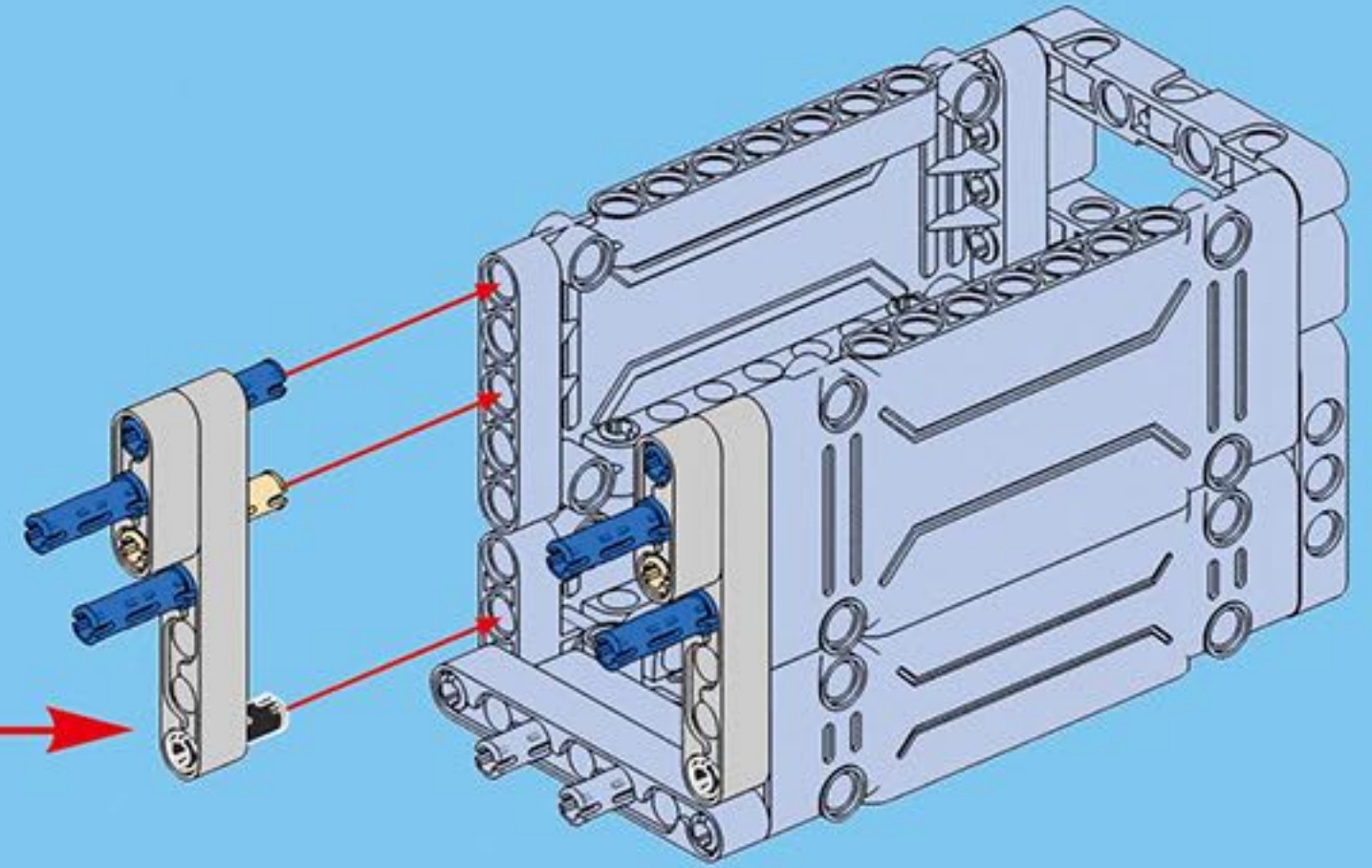
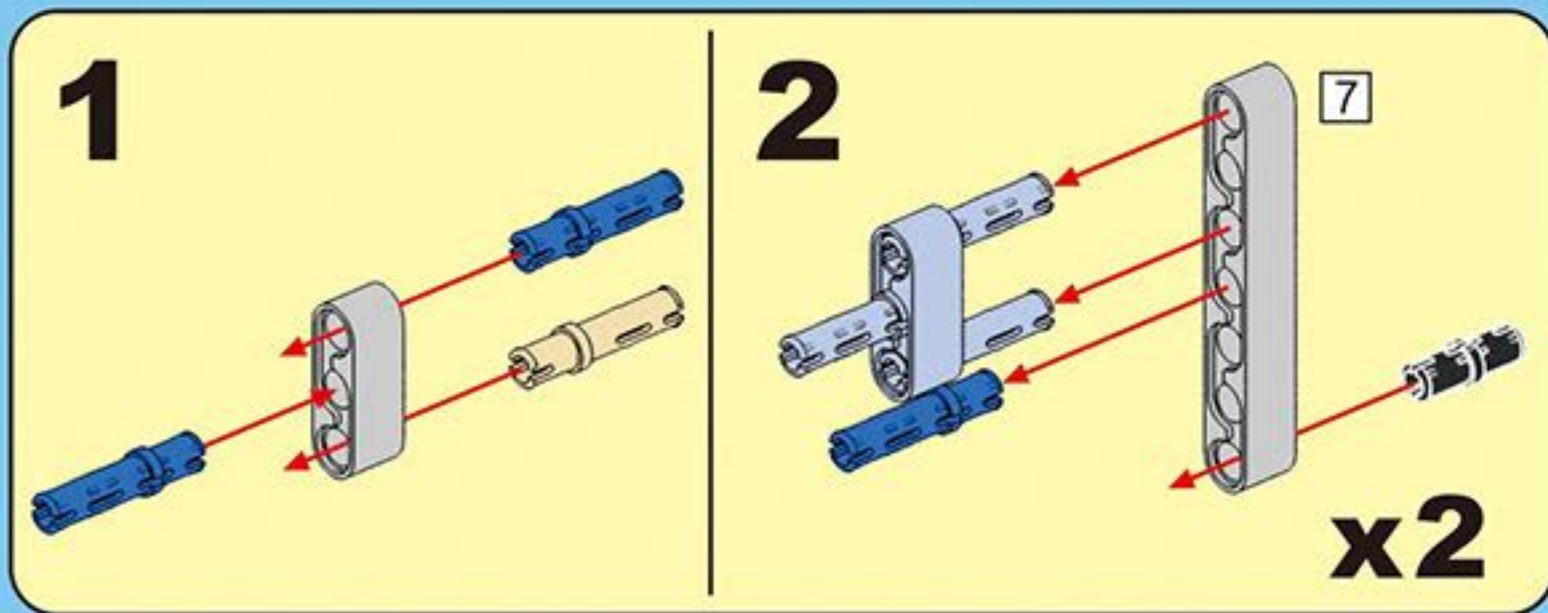


A6

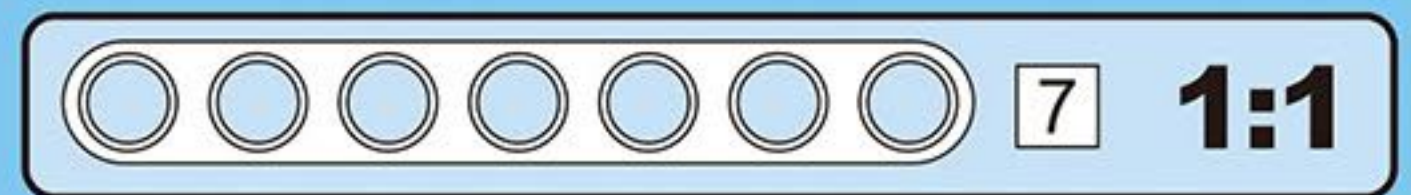
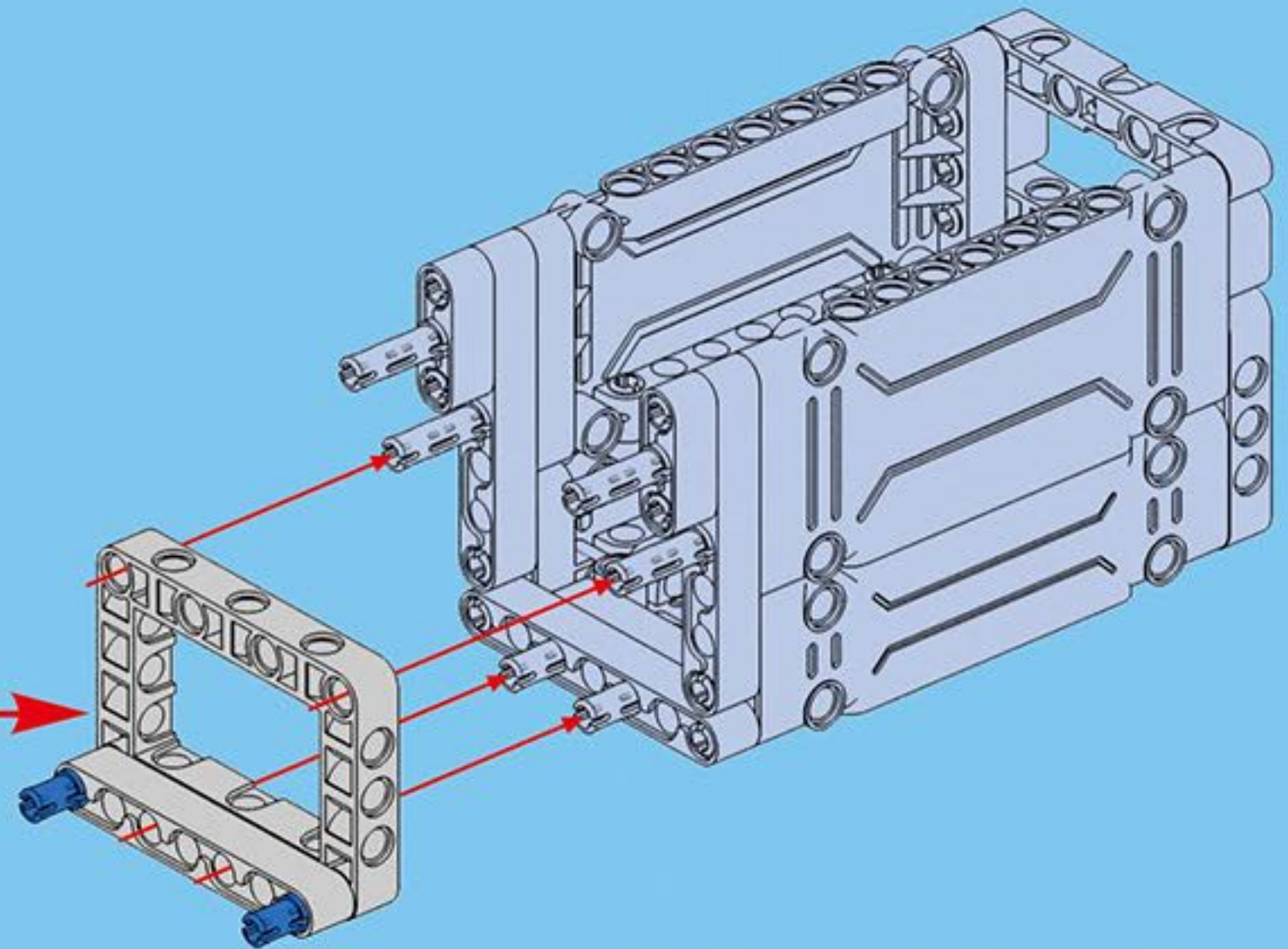
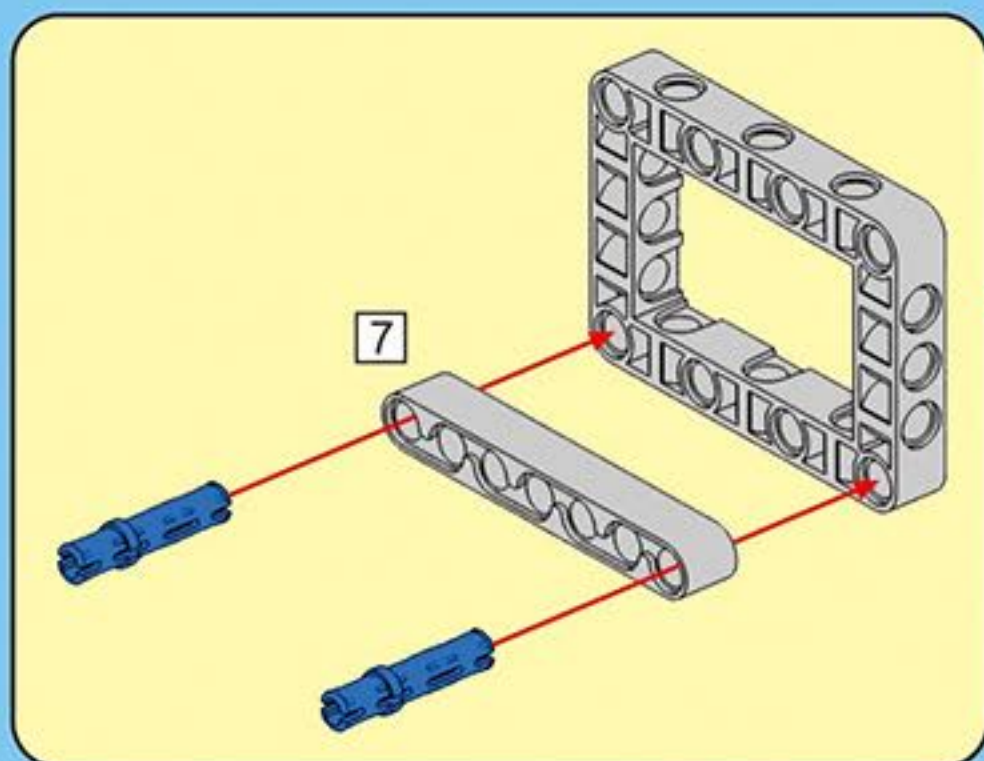


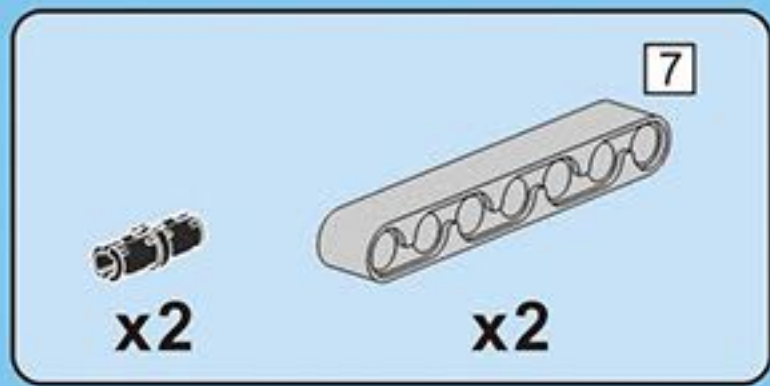


A7

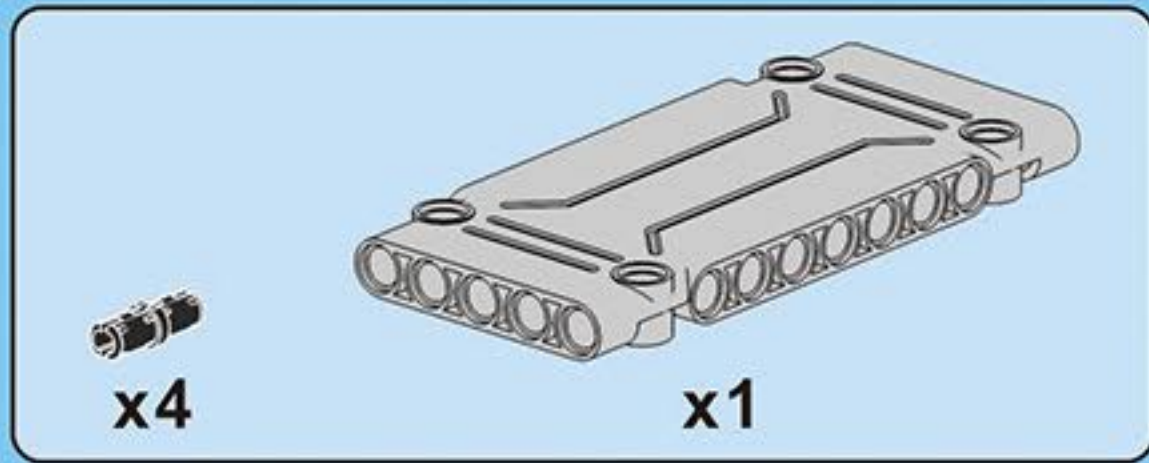
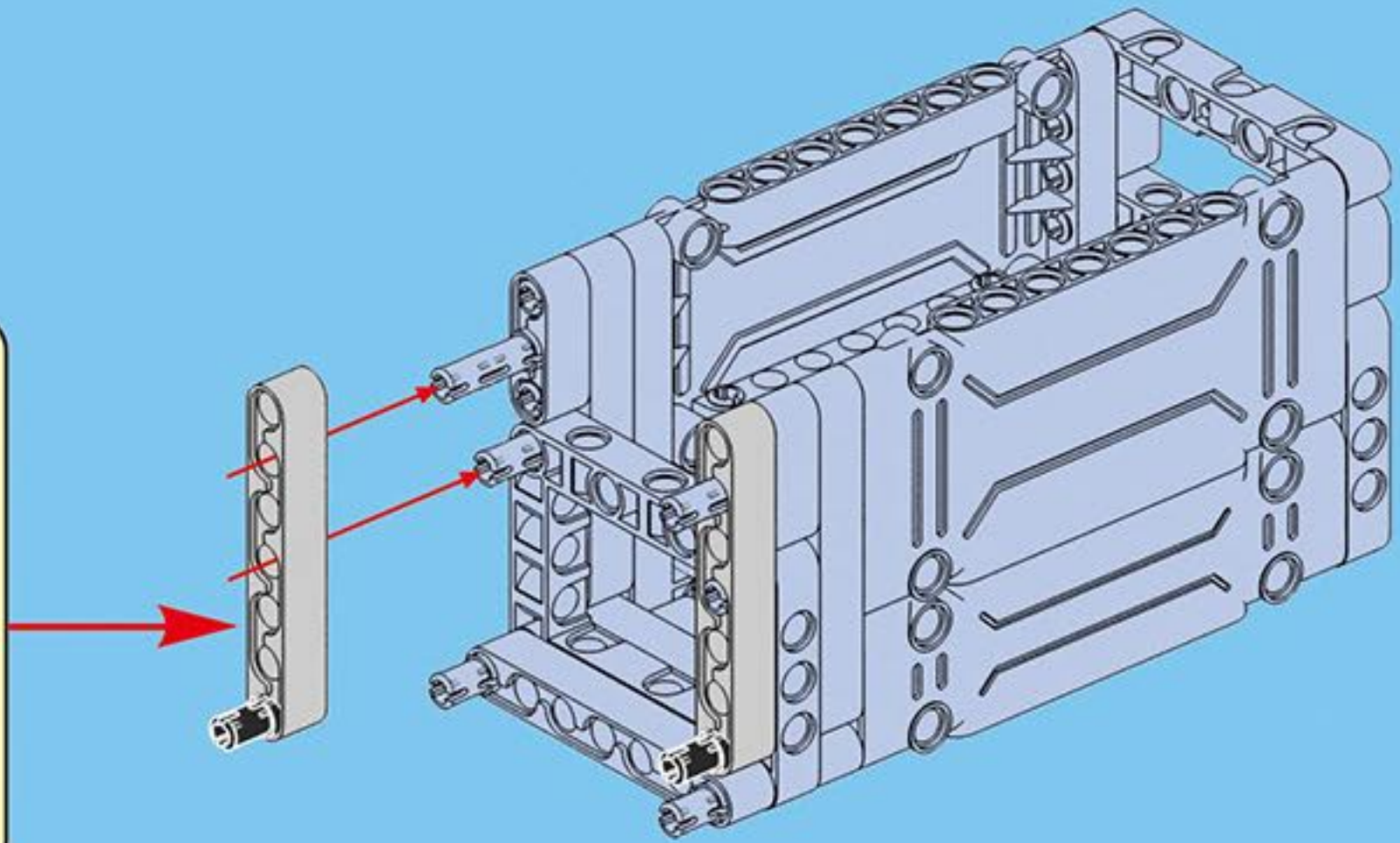
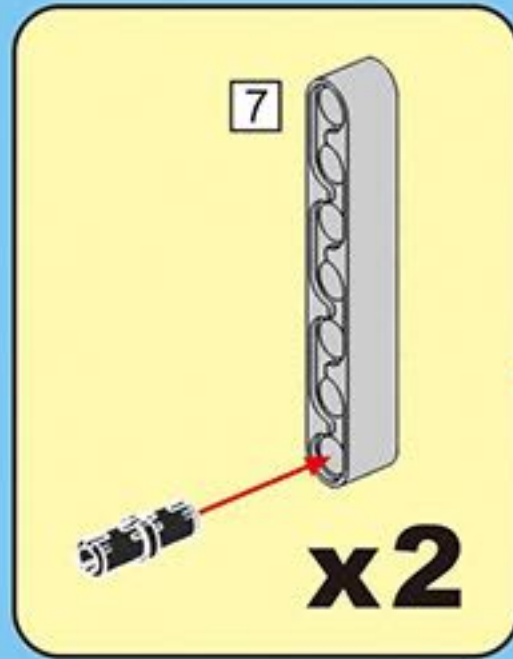


A8

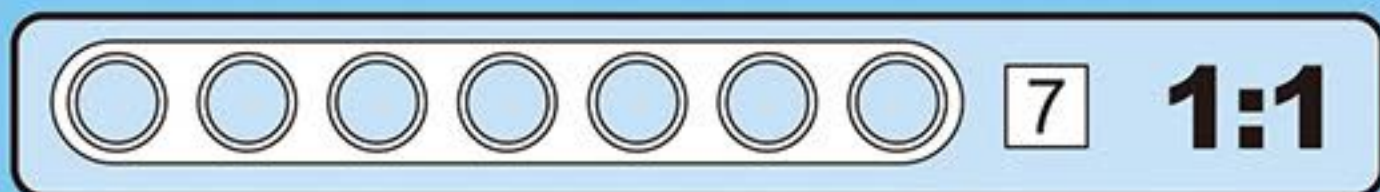
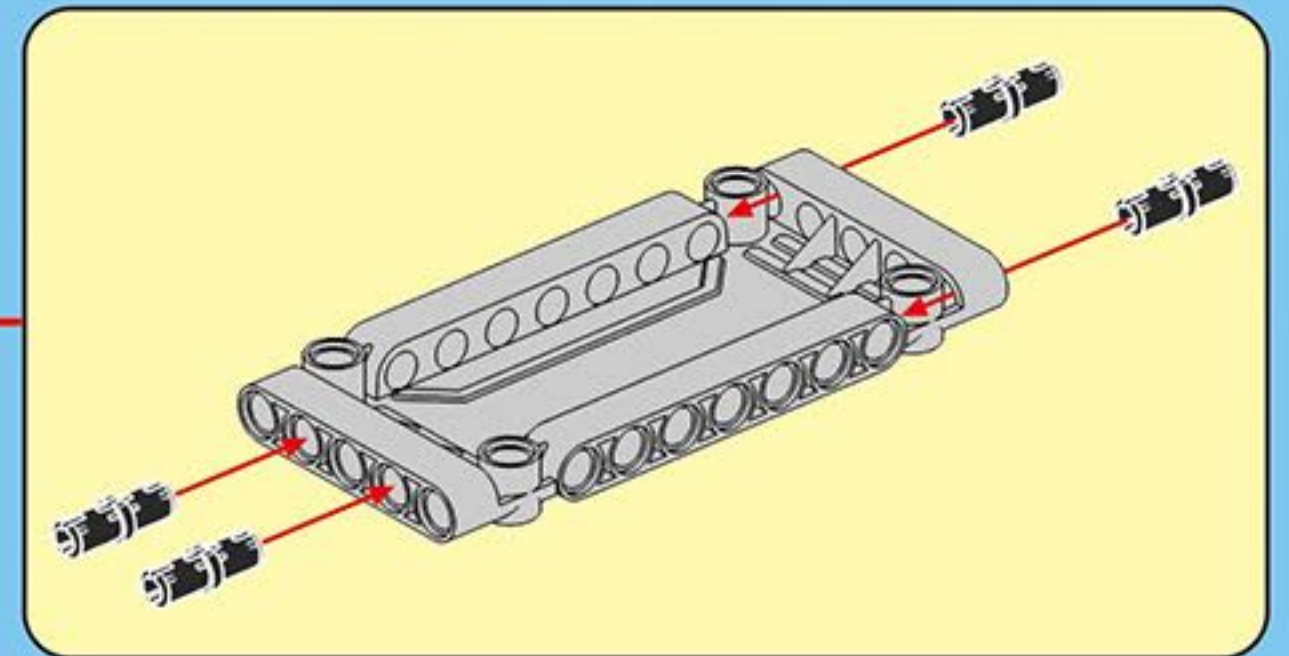
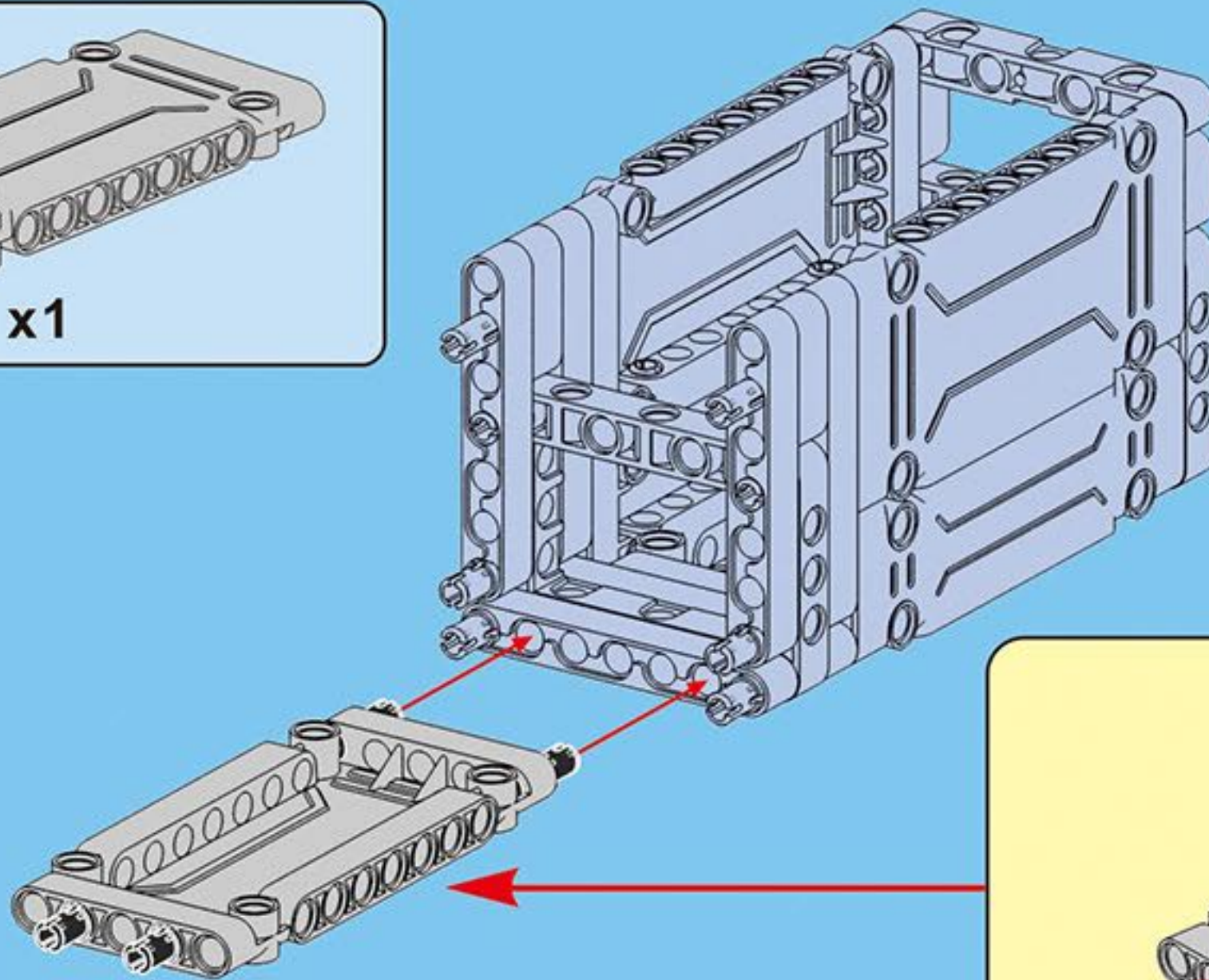


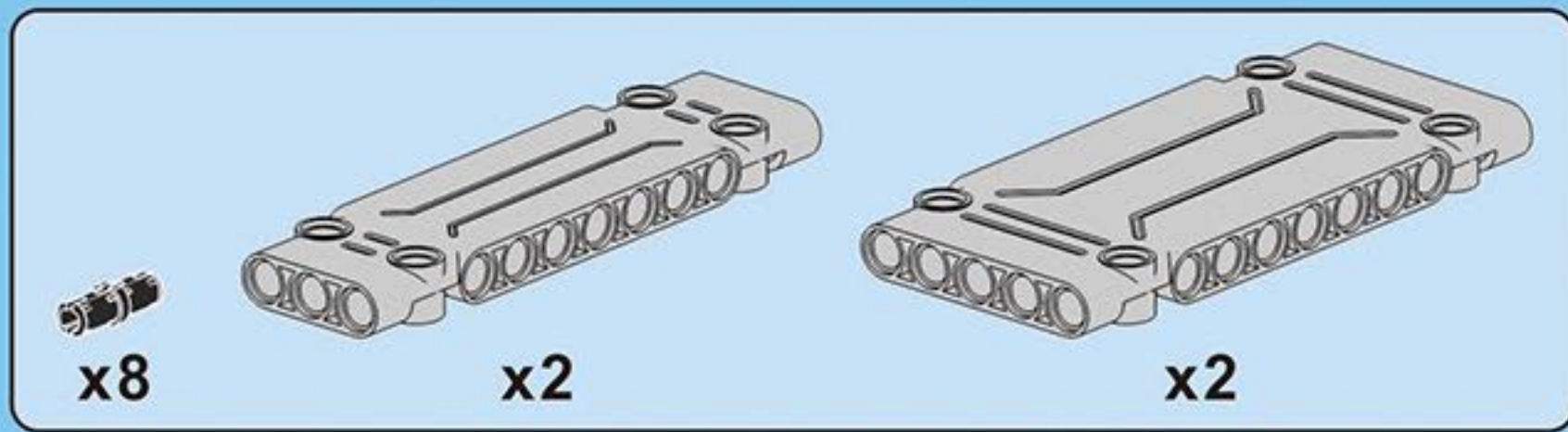


A9

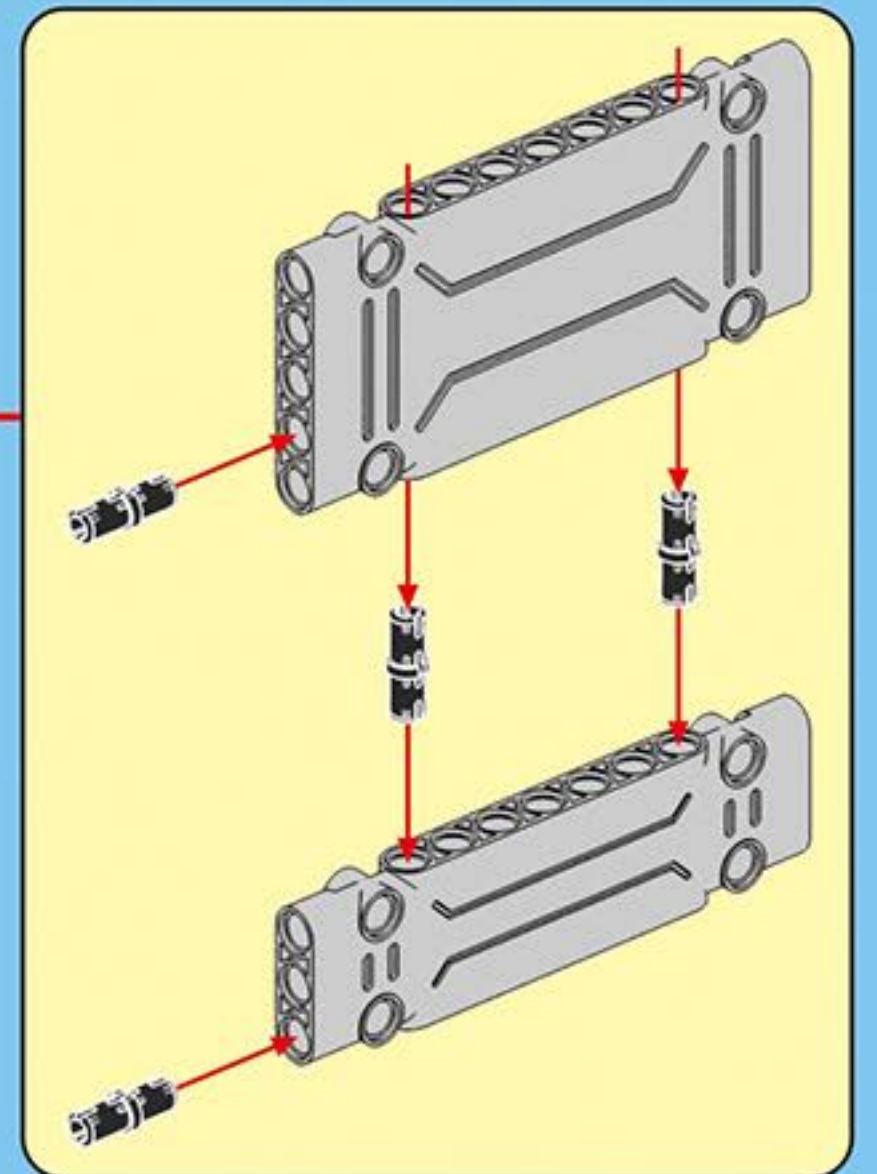
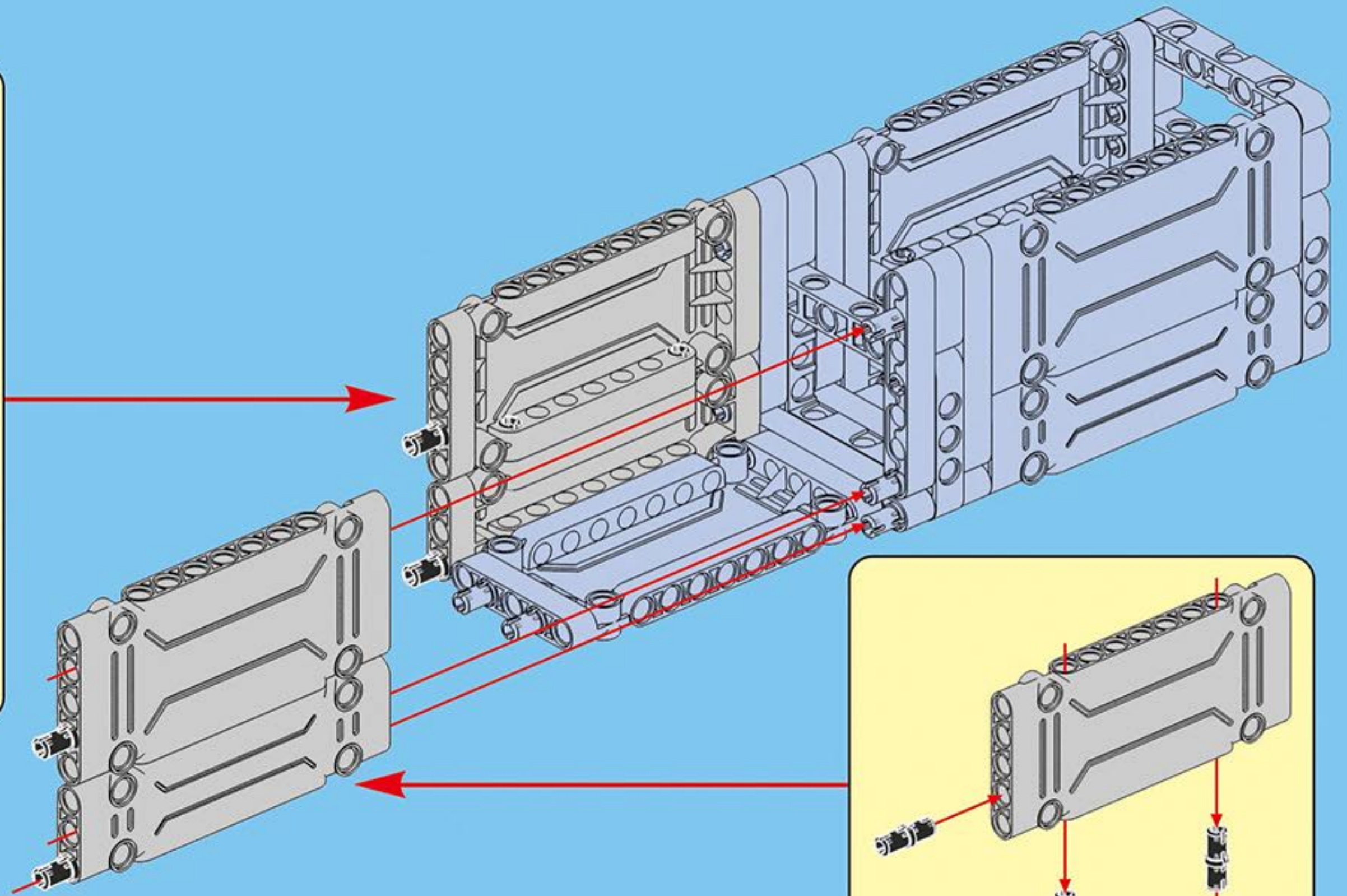
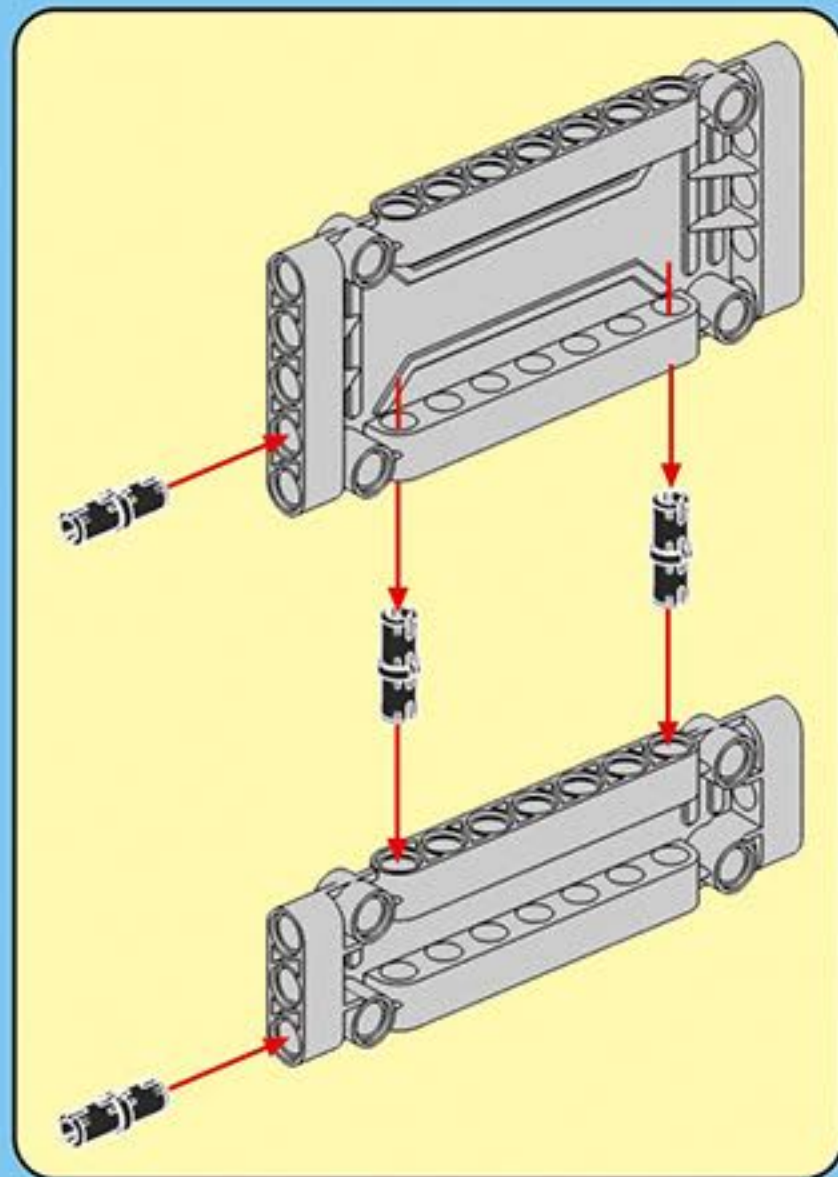


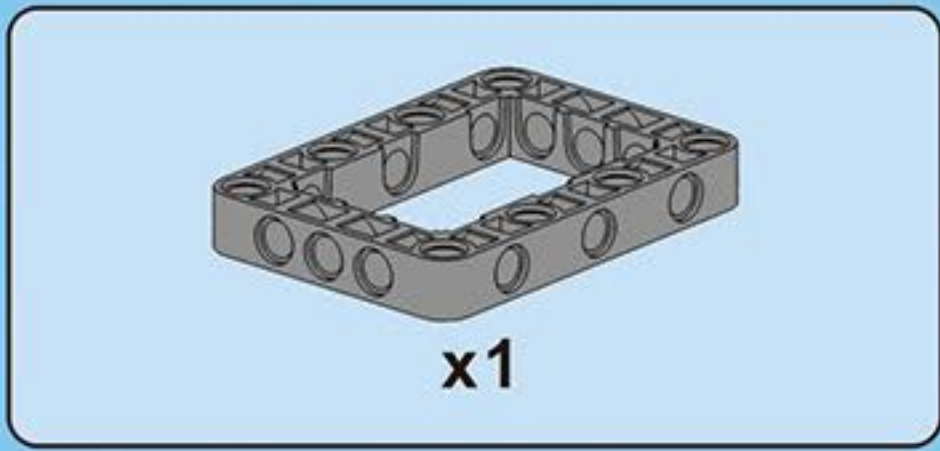
A10



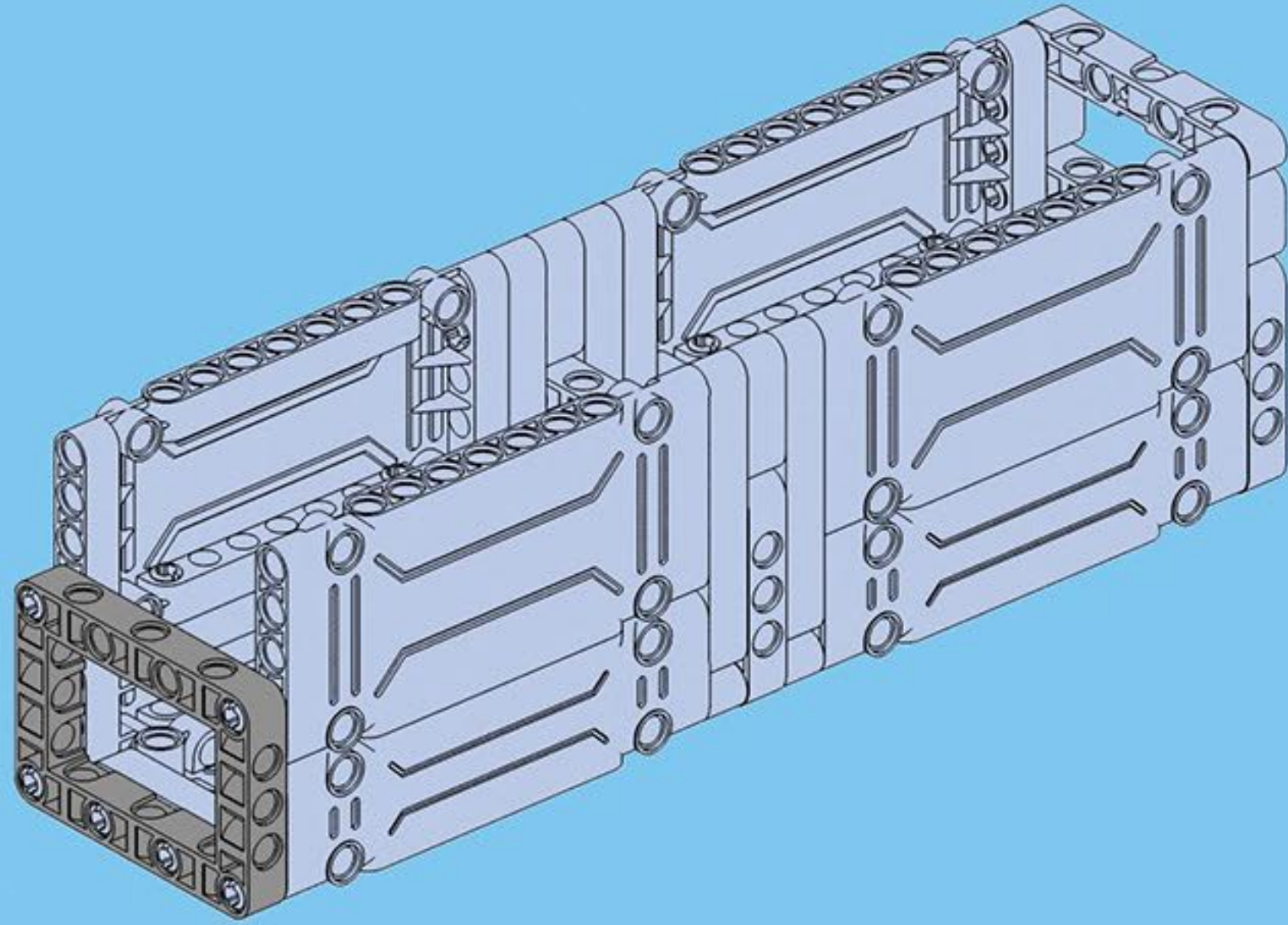


A11

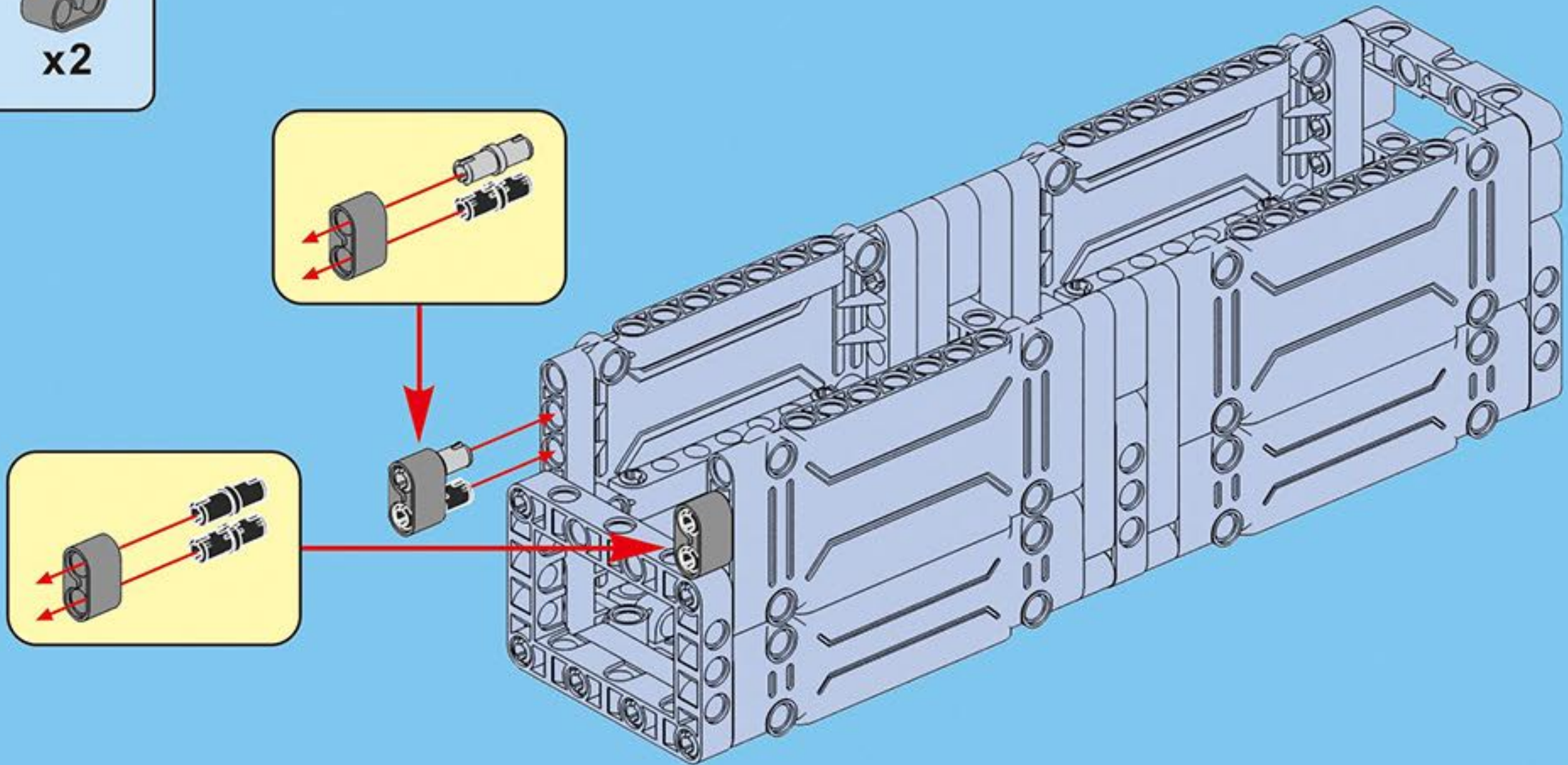


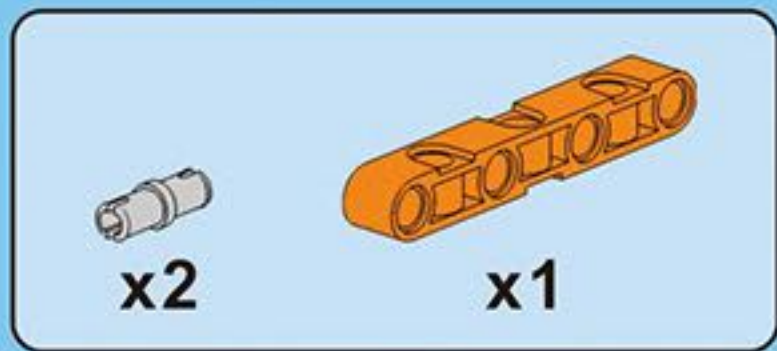


A12

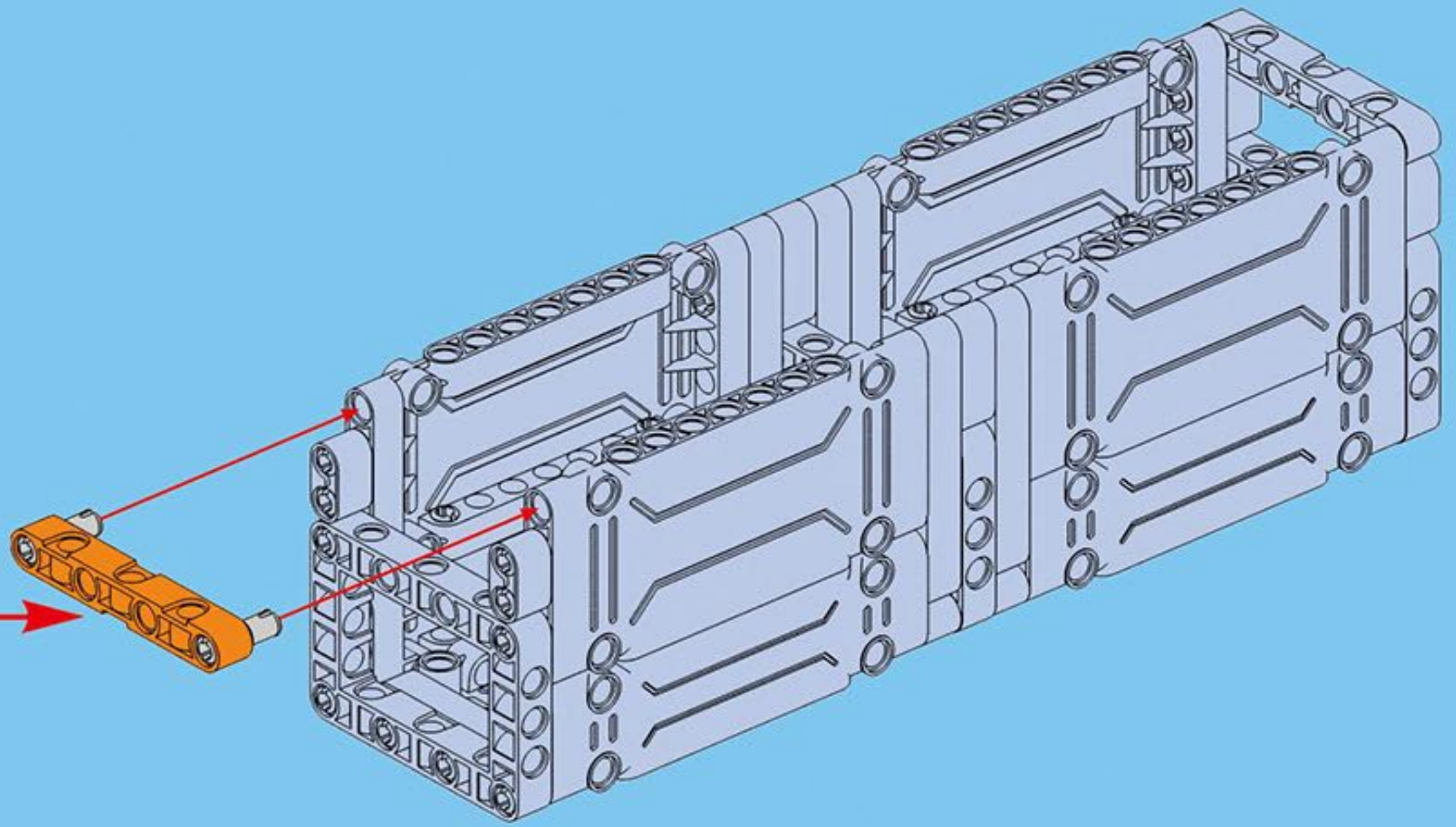
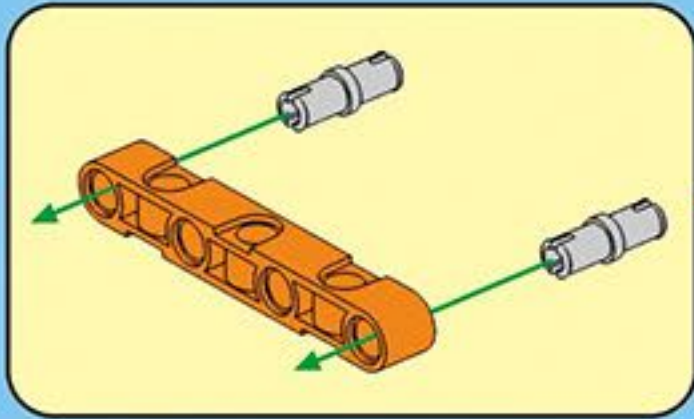


A13

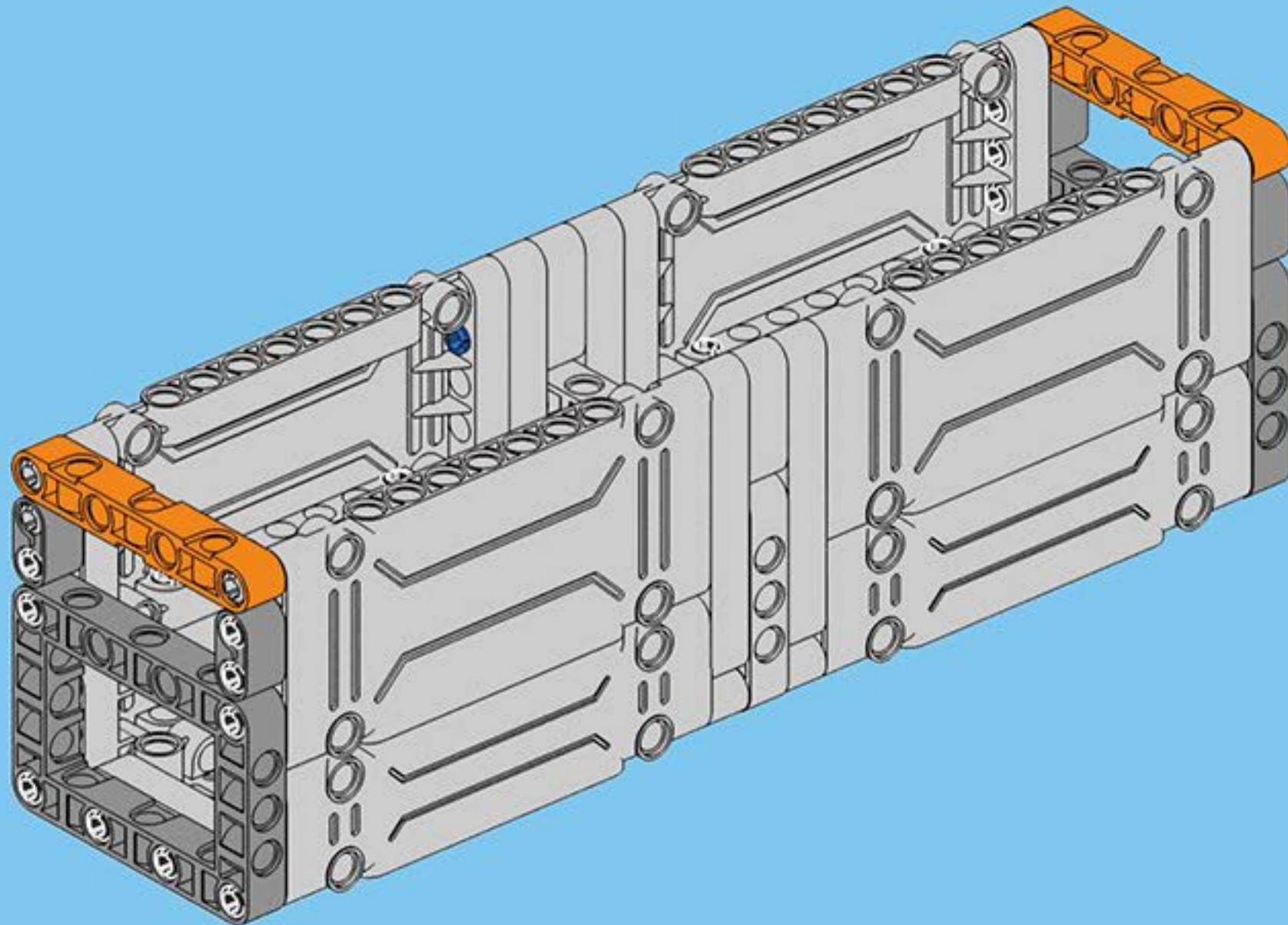


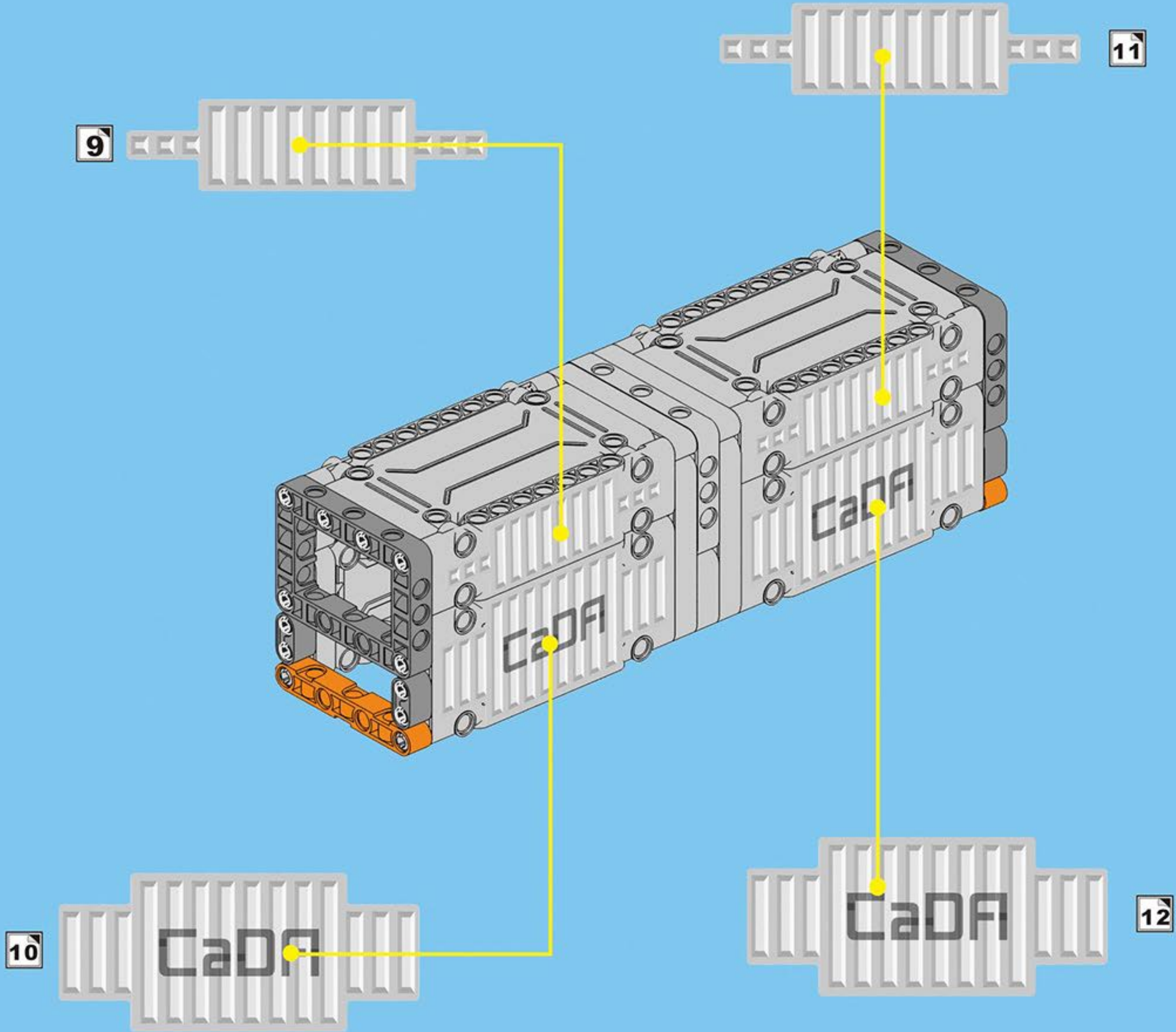


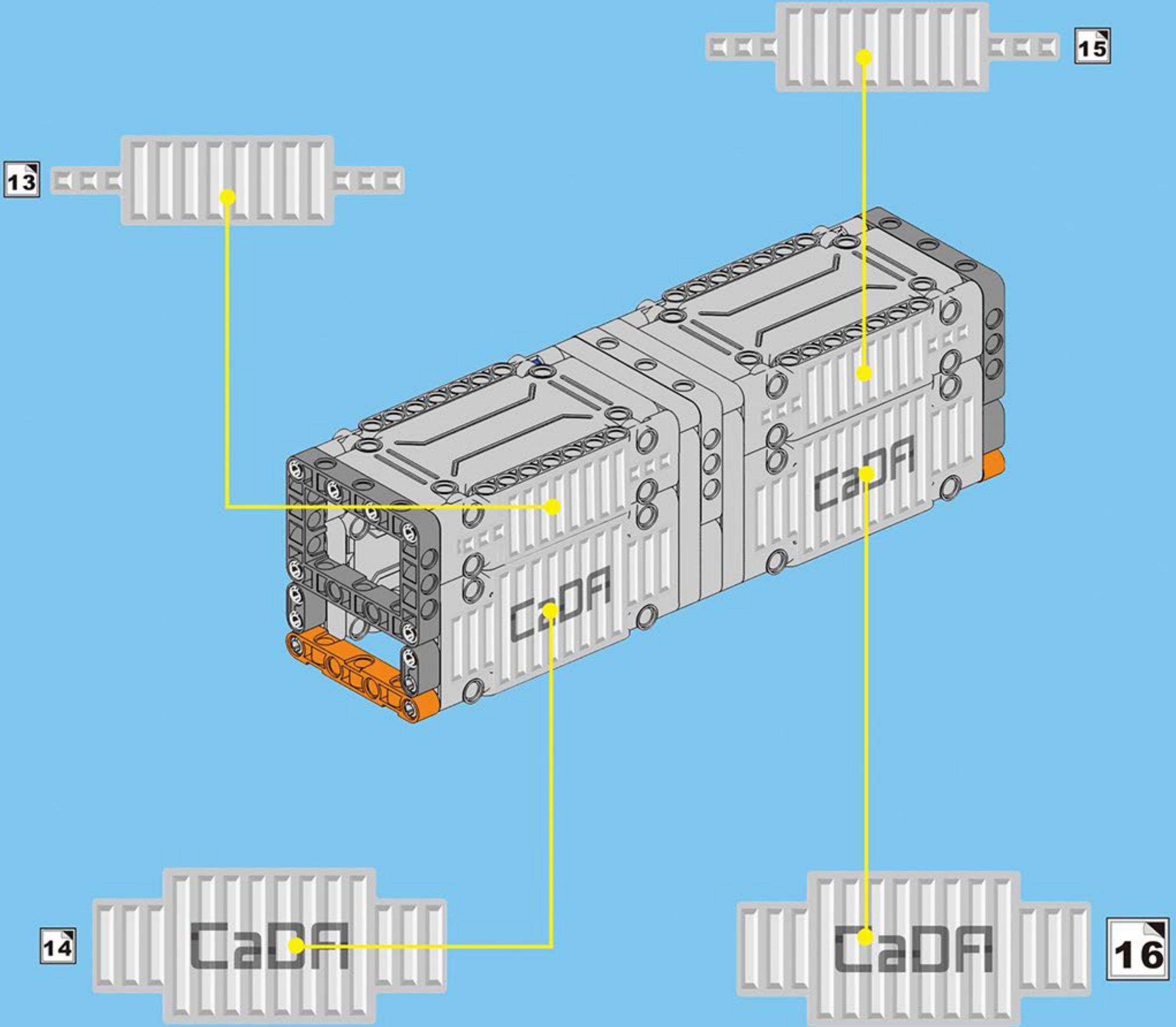
A14



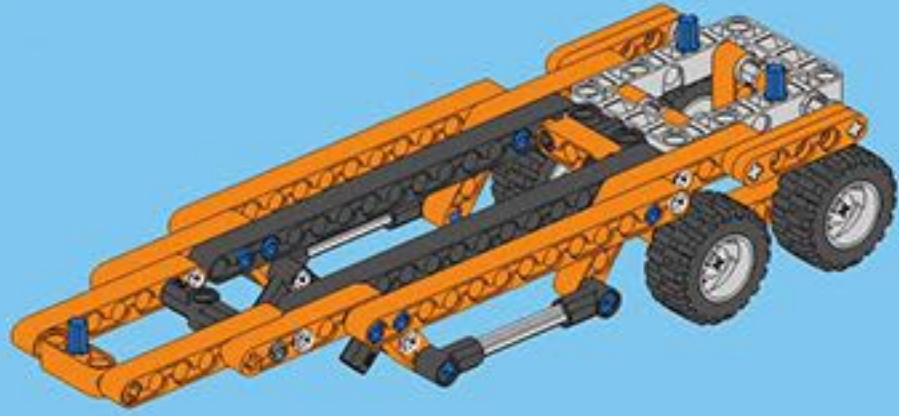
A15







B



x2

x1

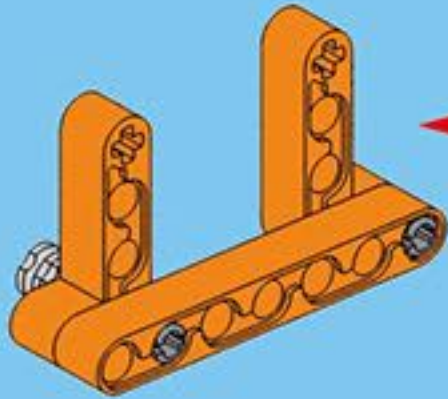
x2

x2

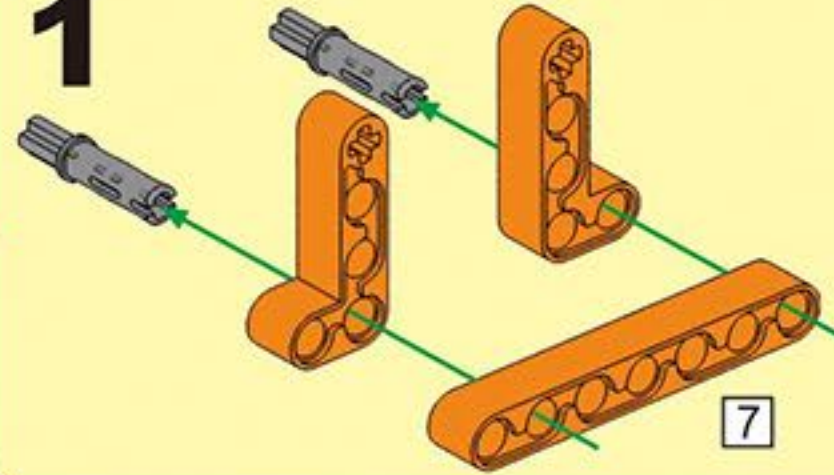
x1

7

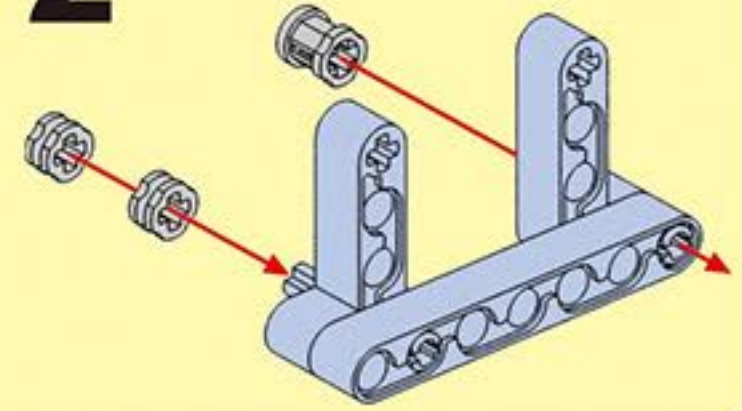
B1



1



2



7

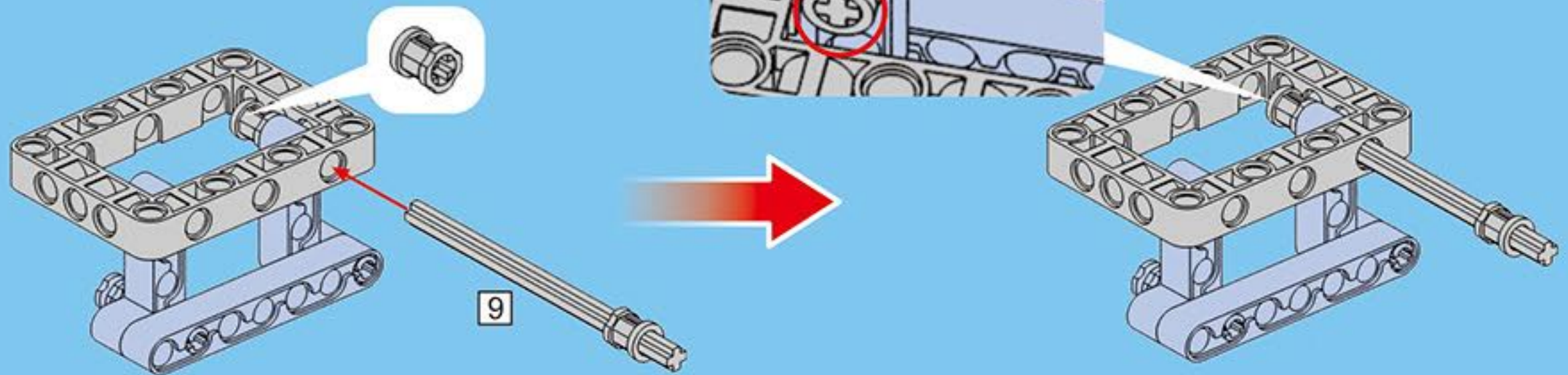
x2

x1

9

x1

B2

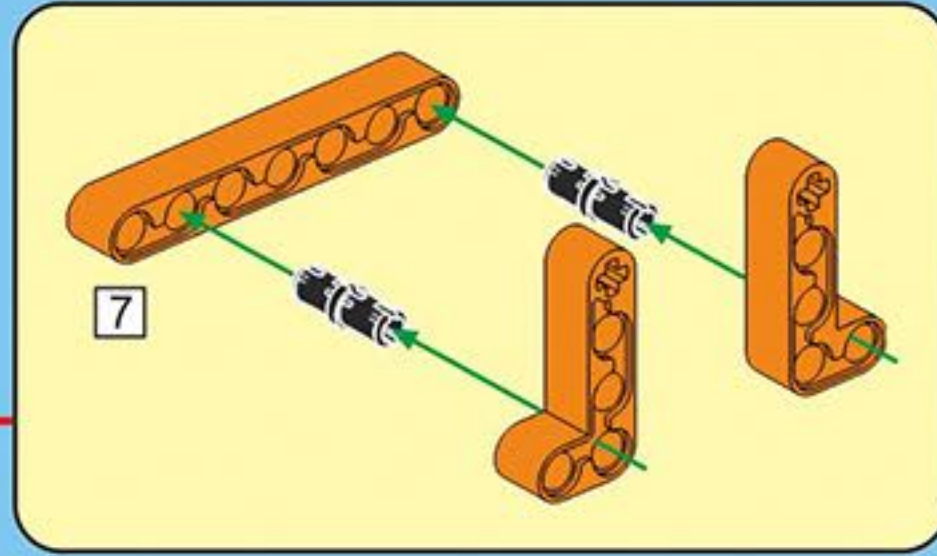
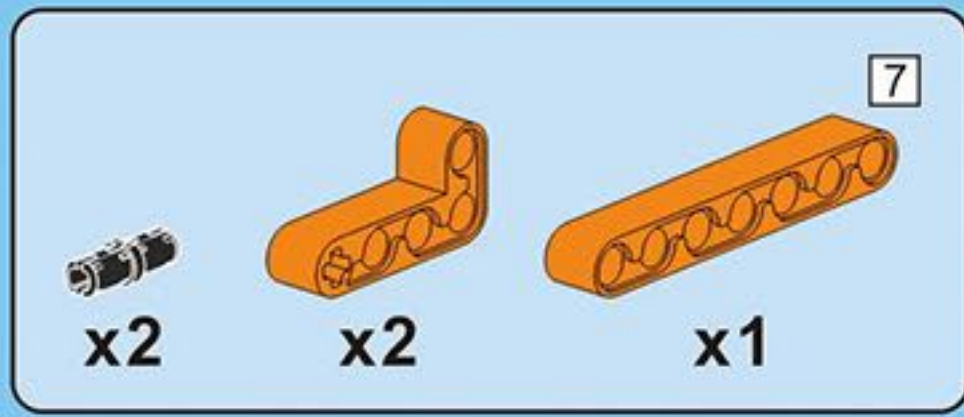


9

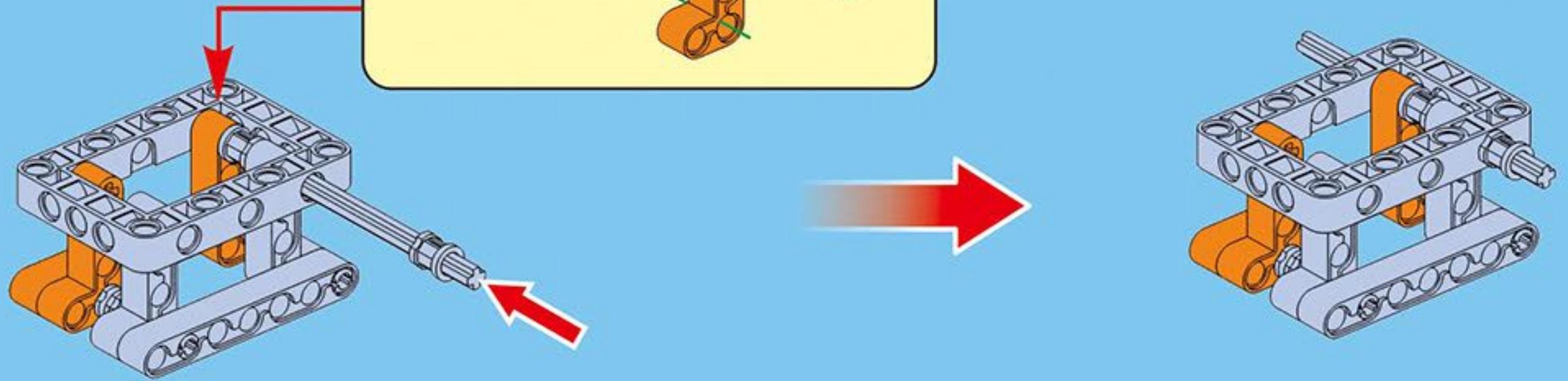
7

9

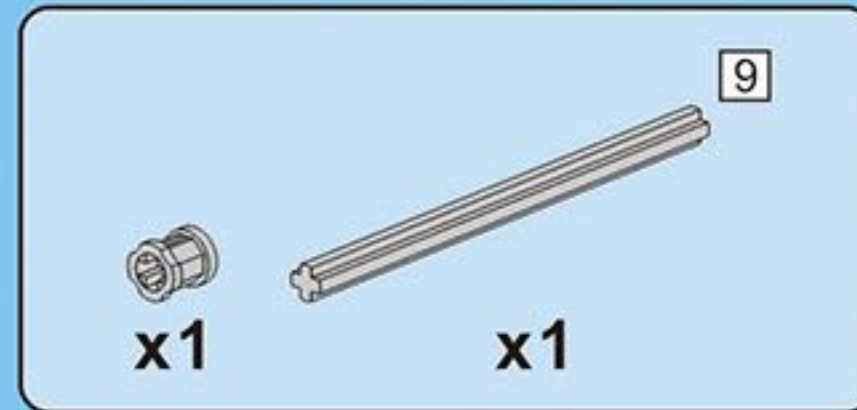
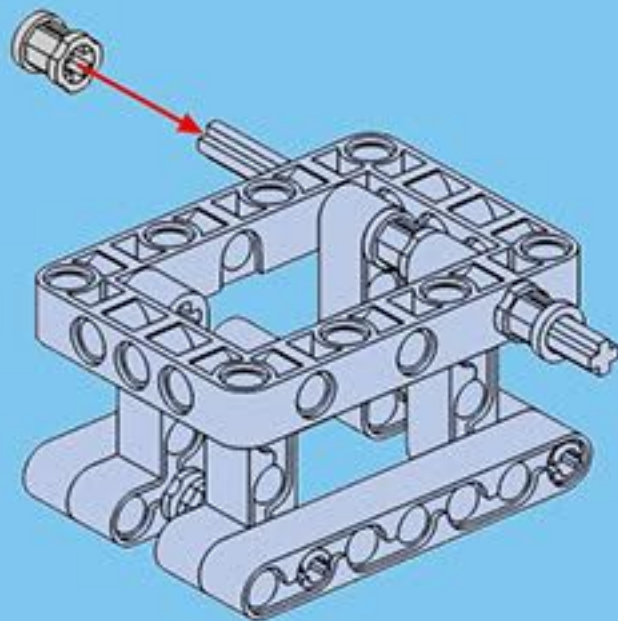
1:1



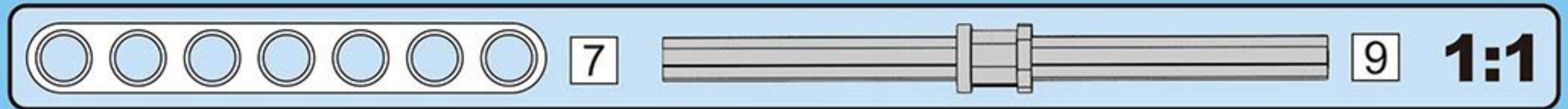
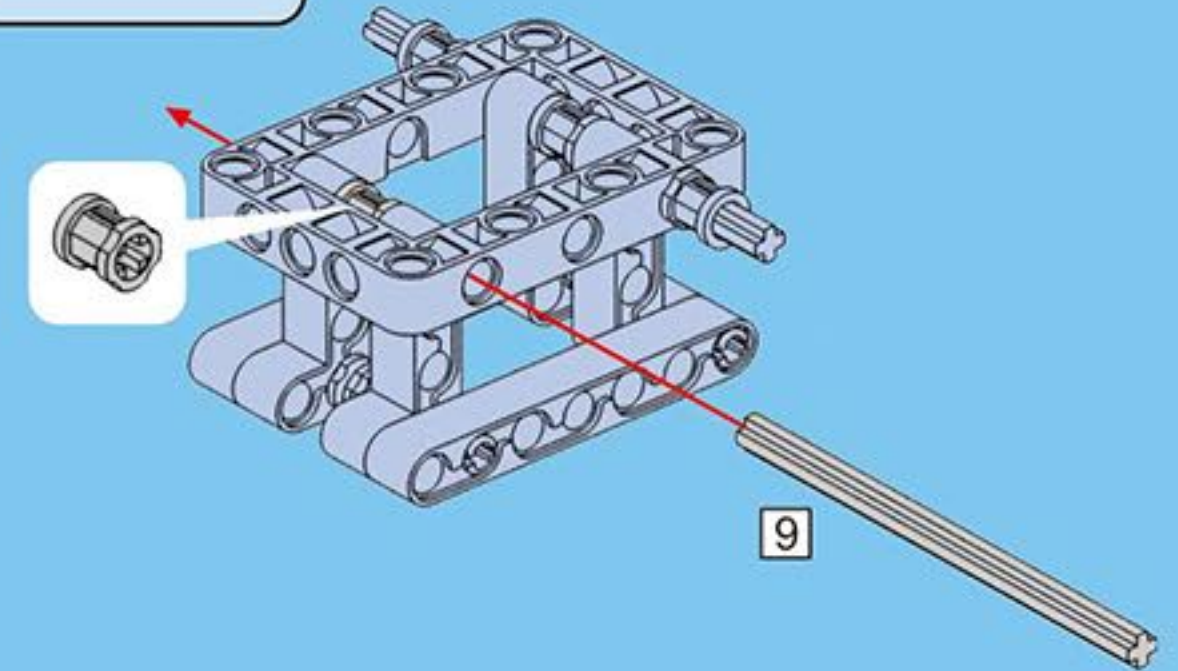
B3

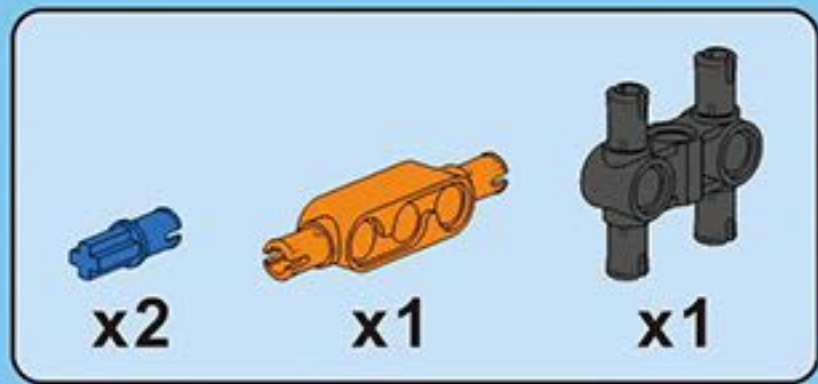


B4

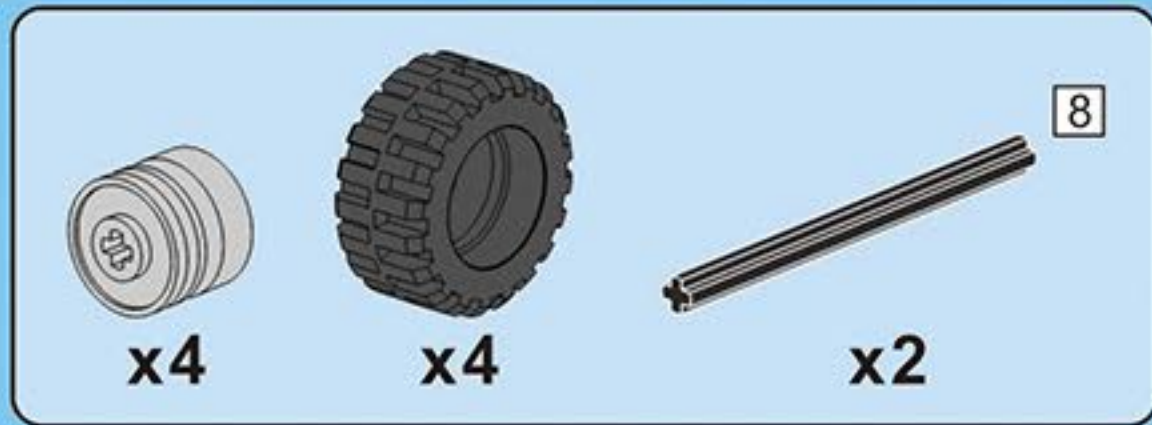
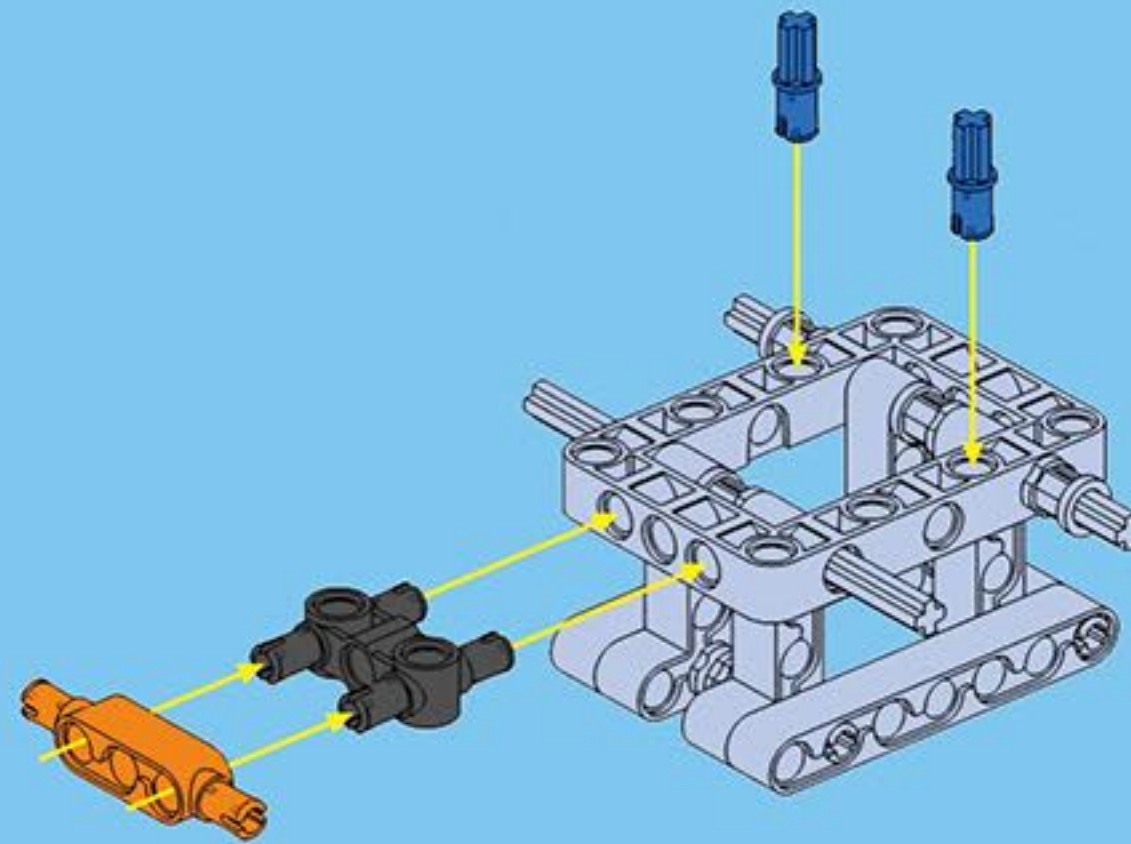


B5

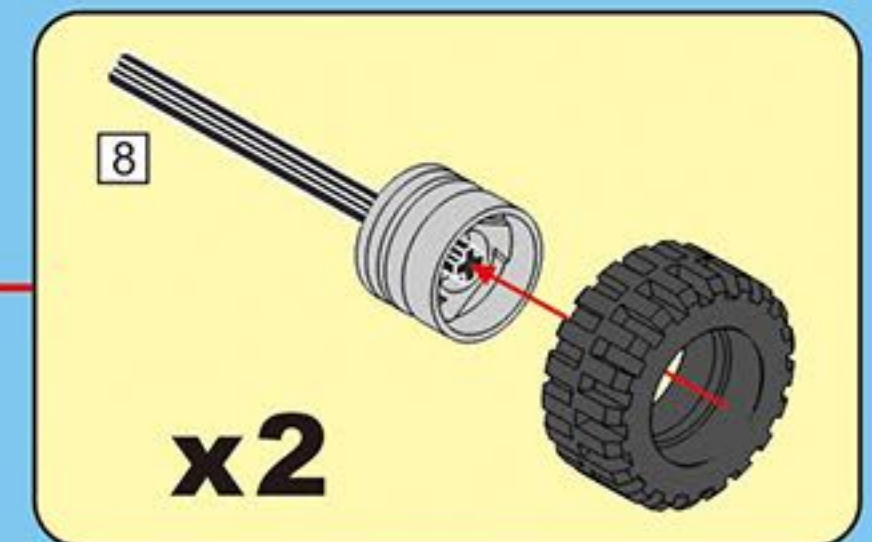
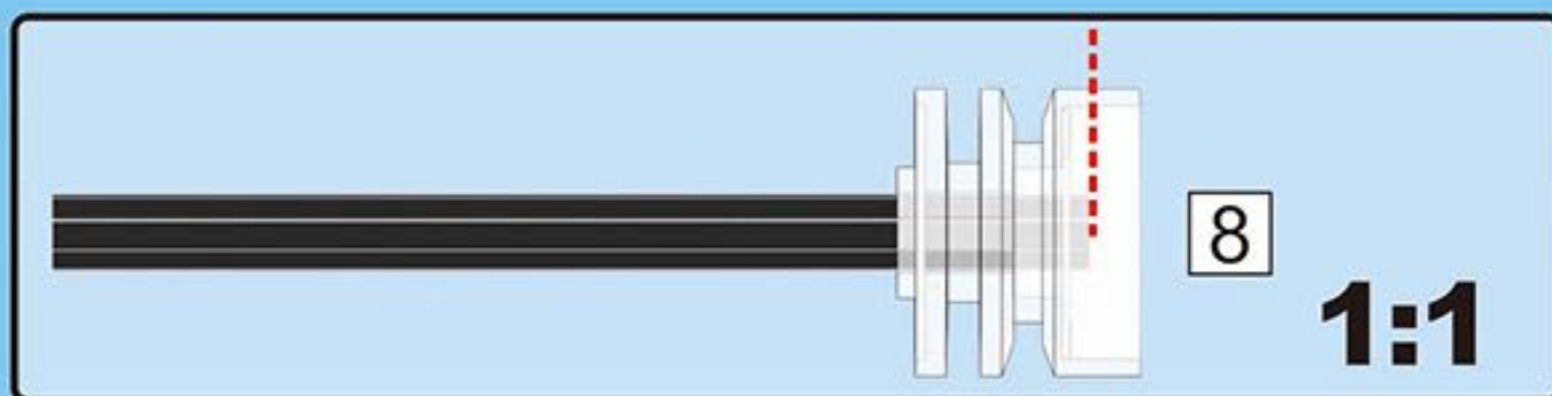
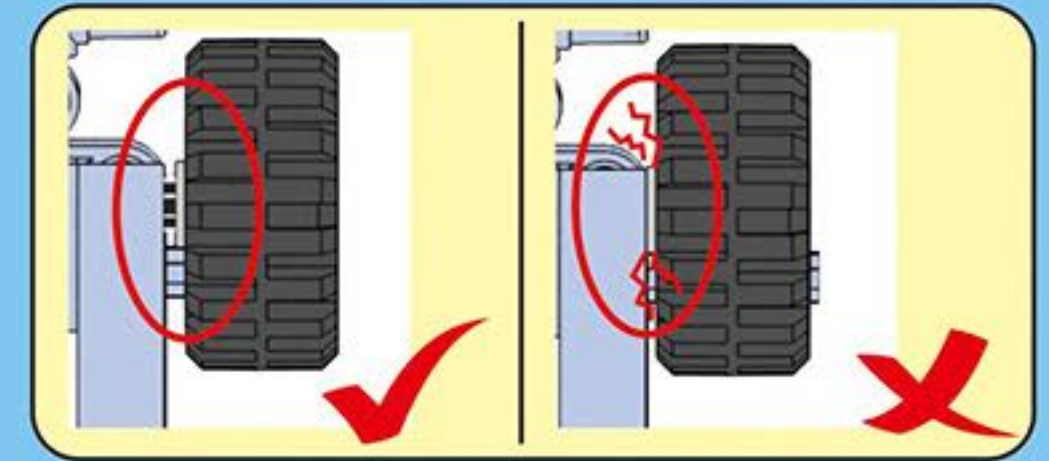
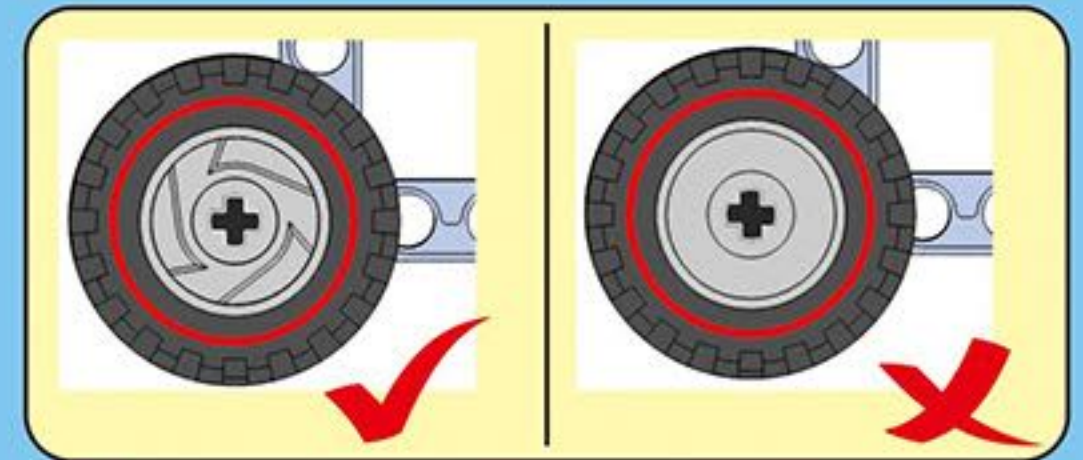


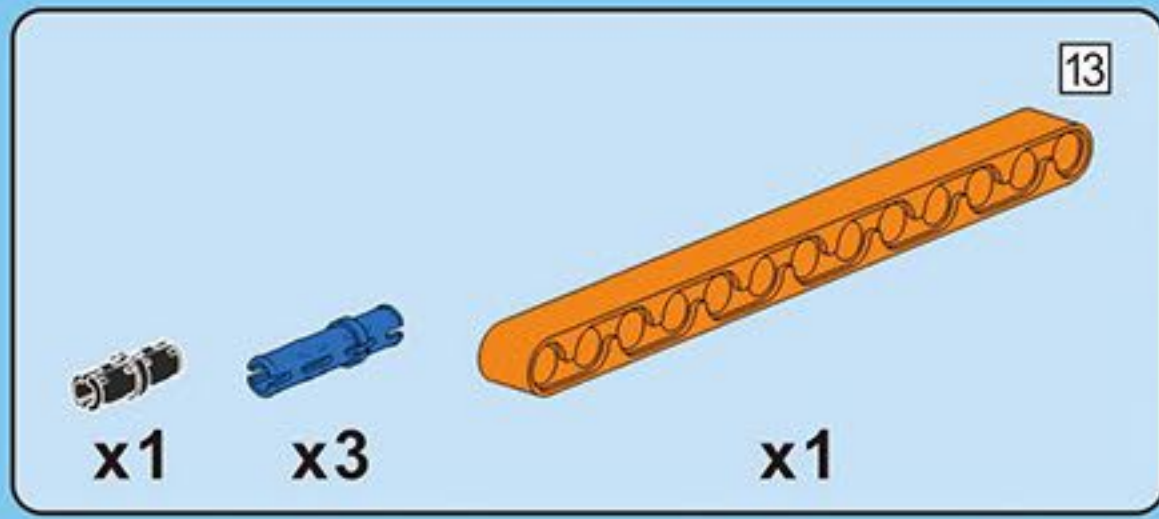


B6

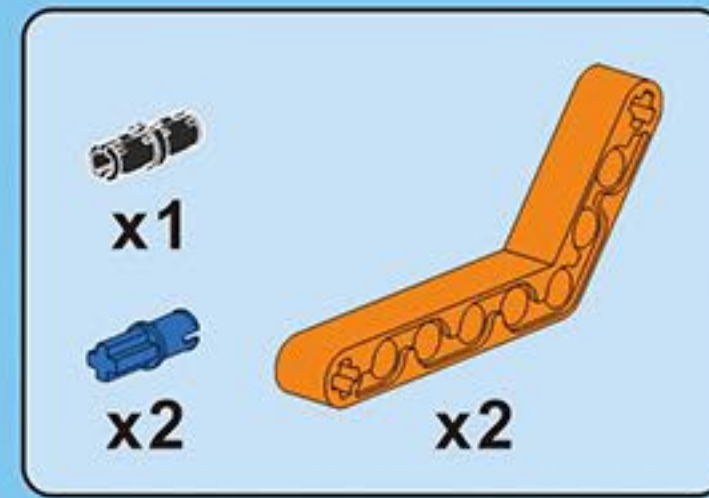
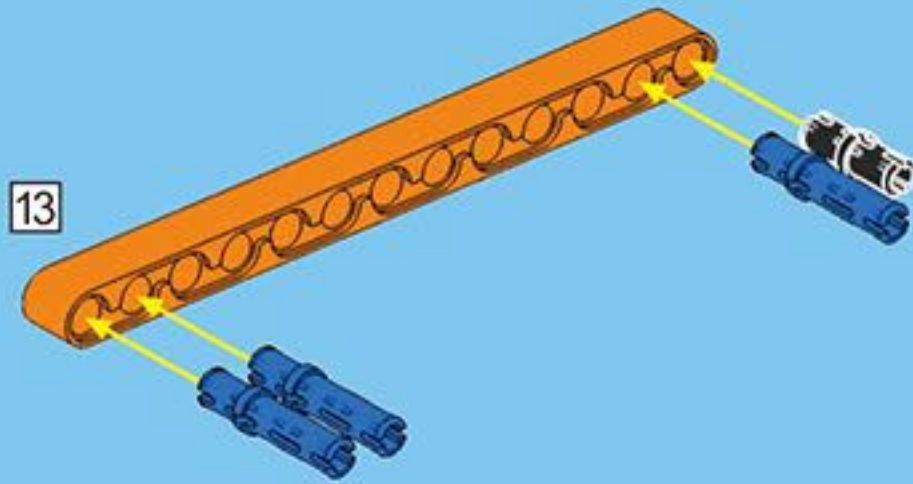


B7

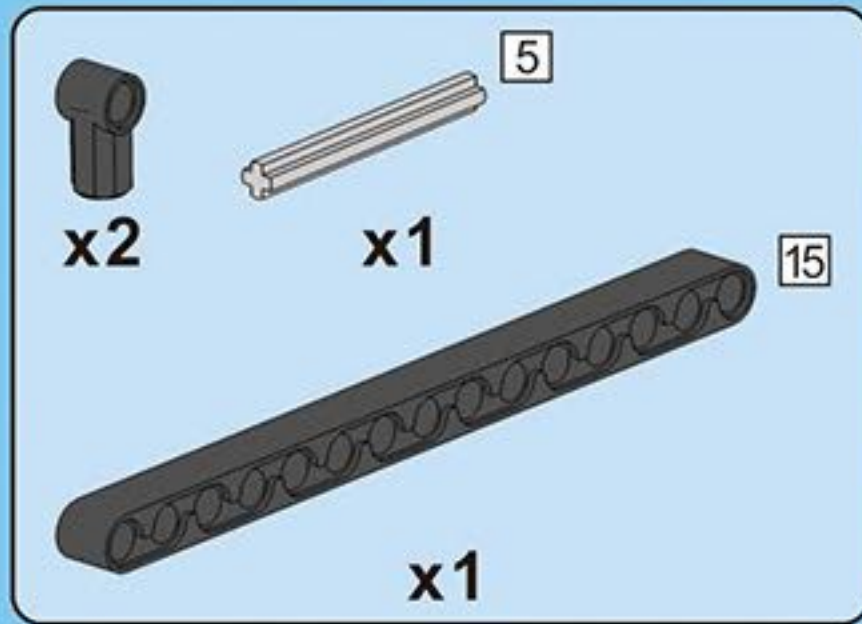
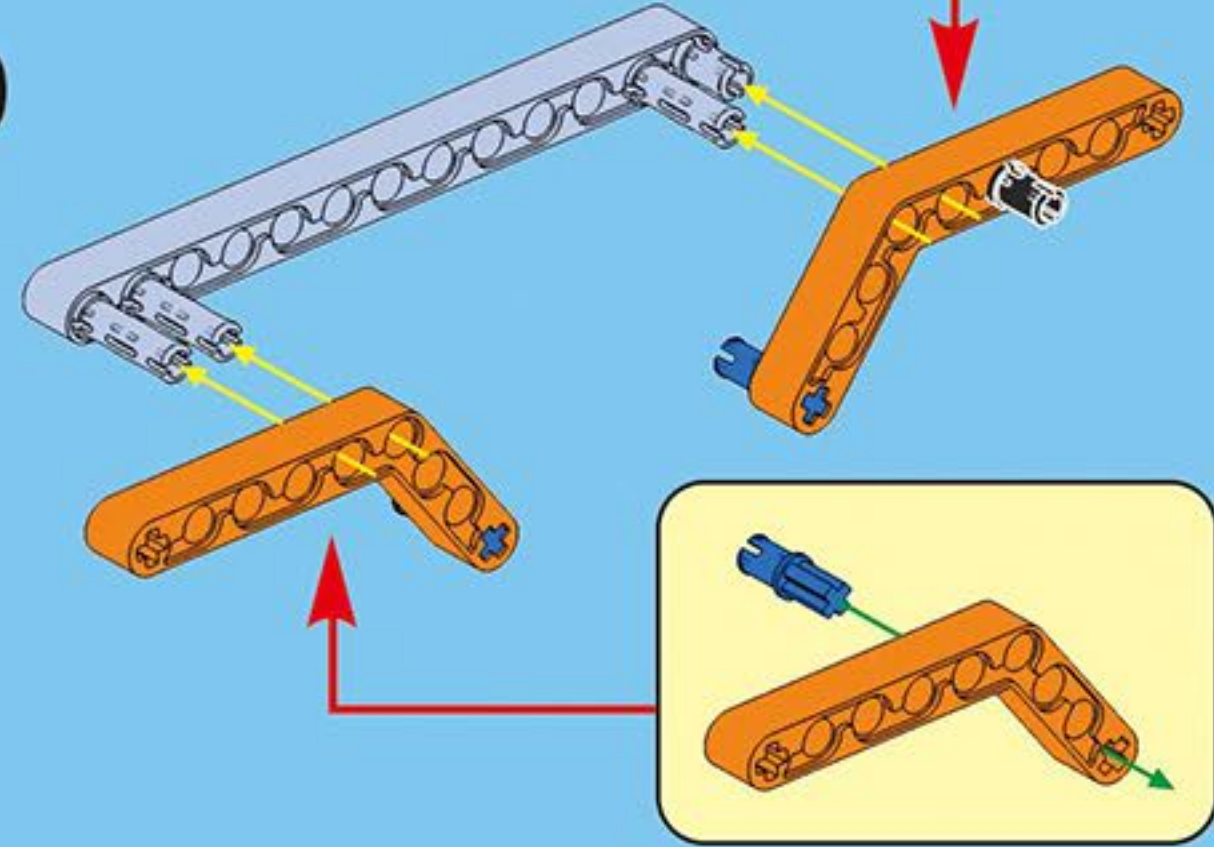




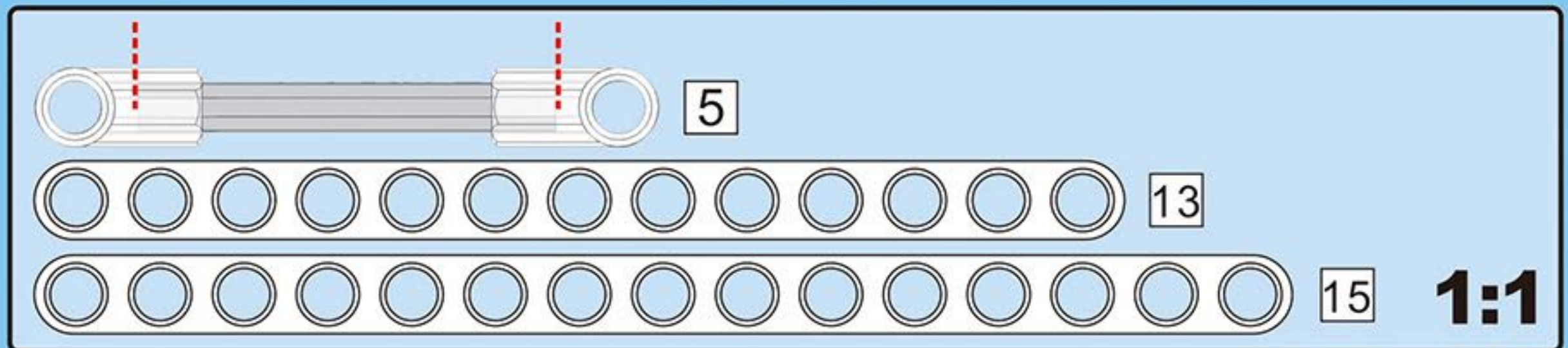
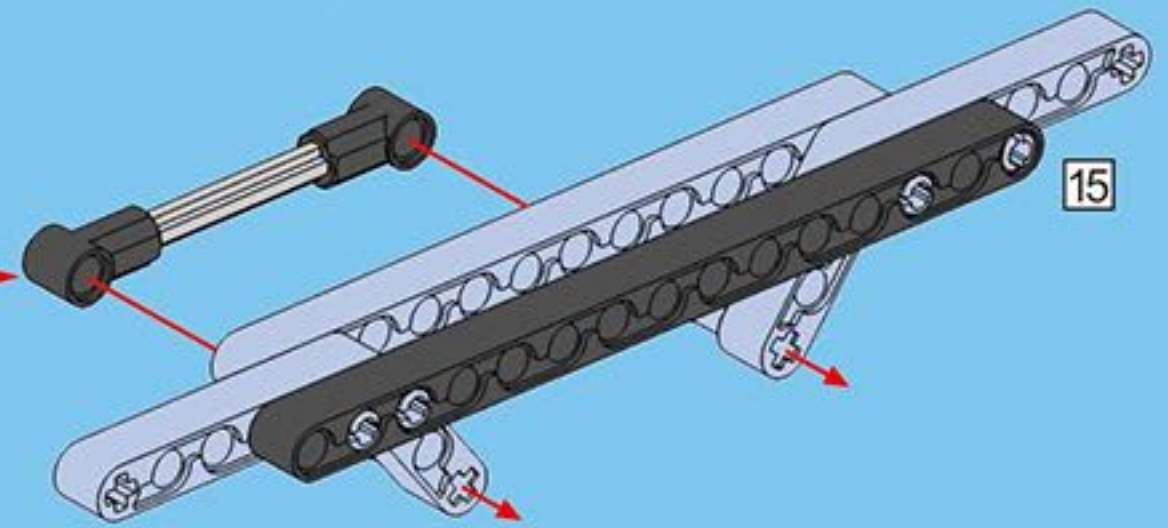
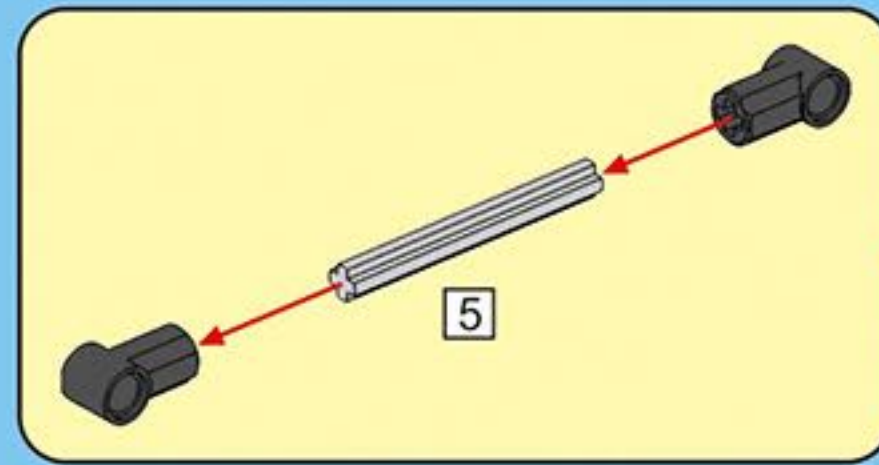
B8

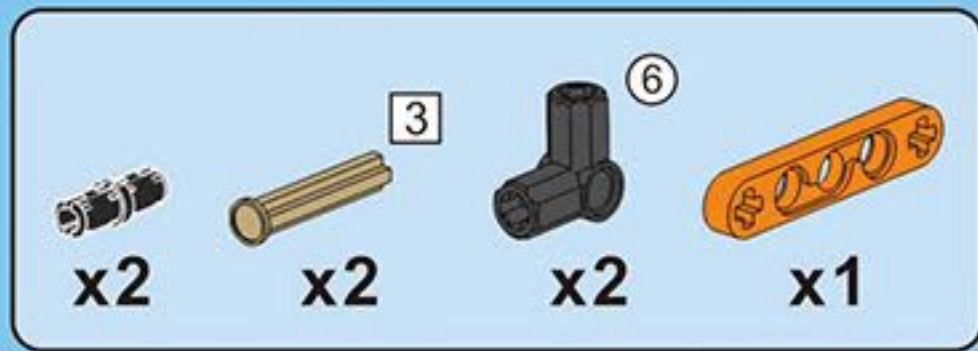


B9

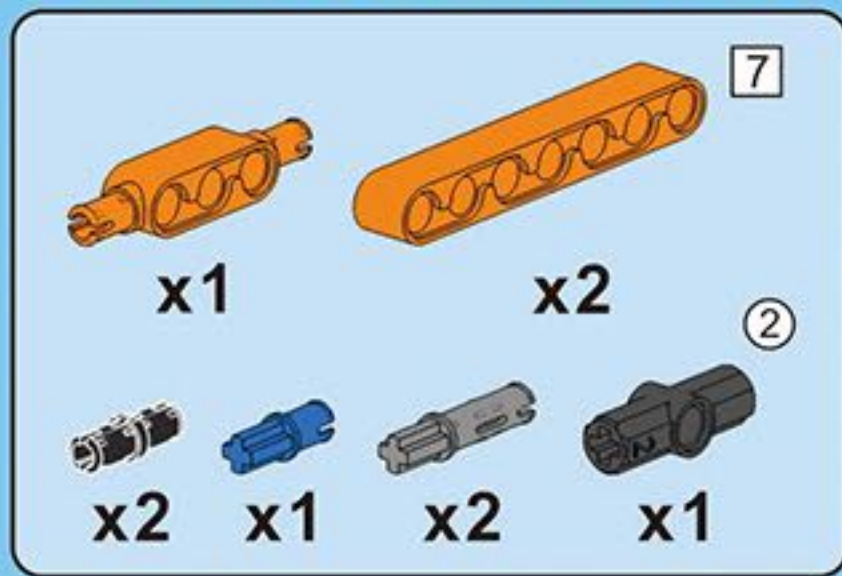
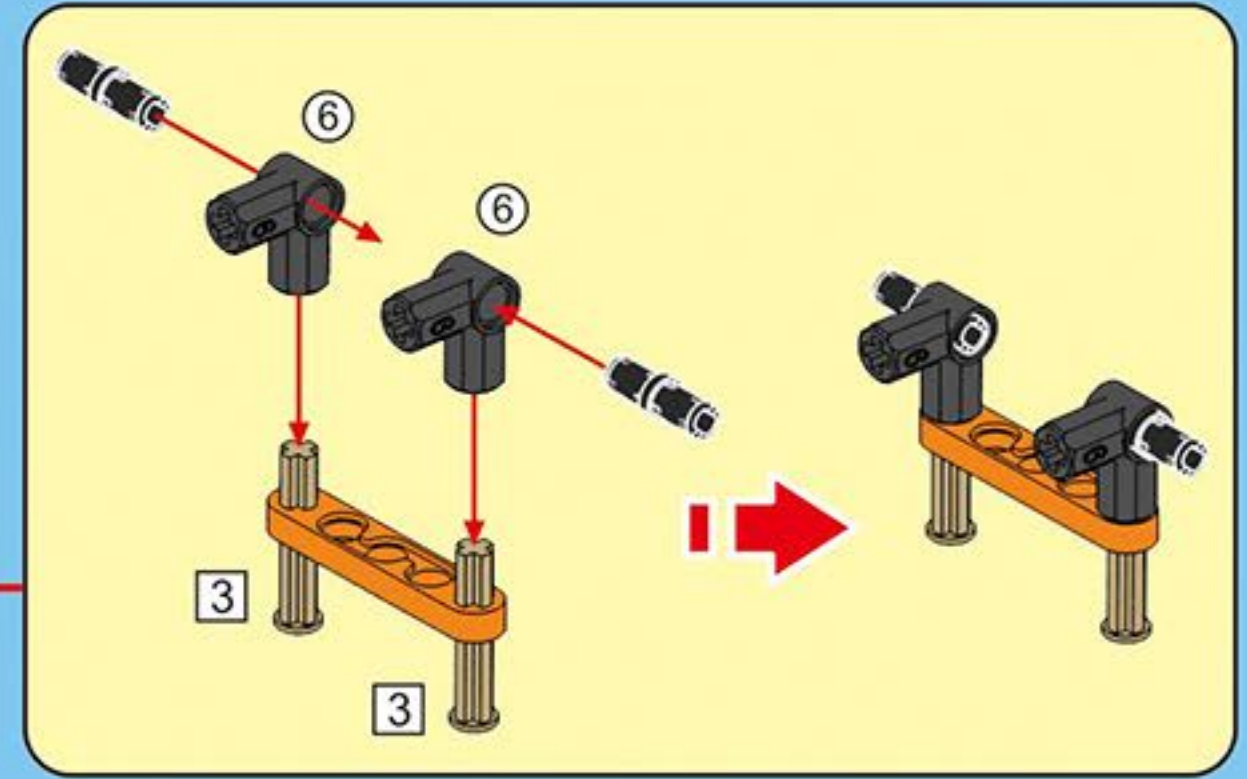
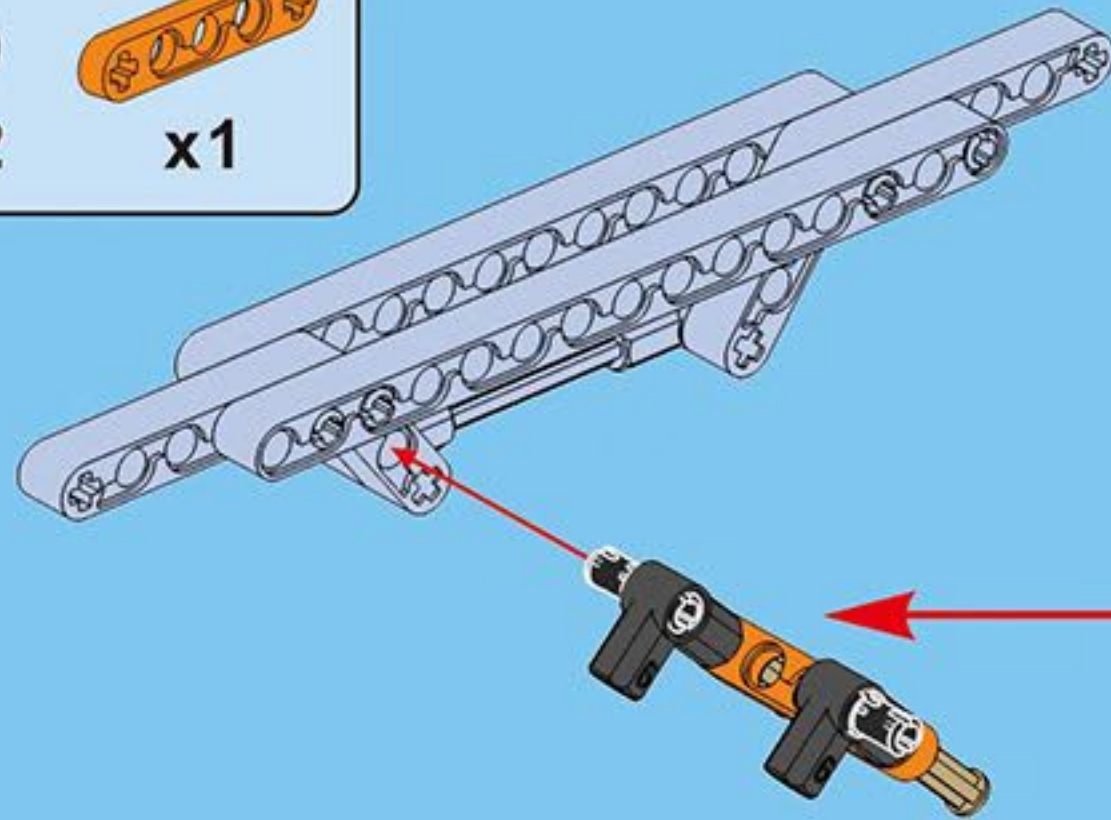


B10

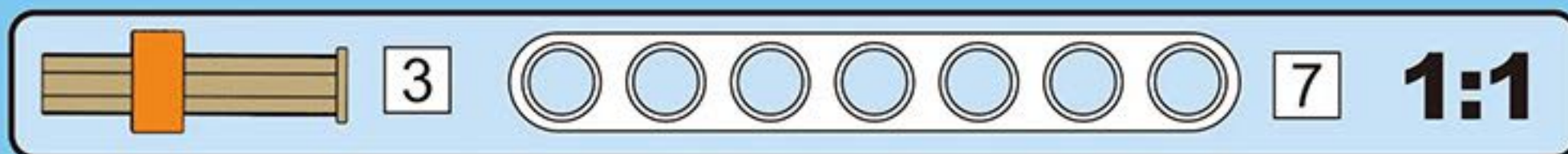
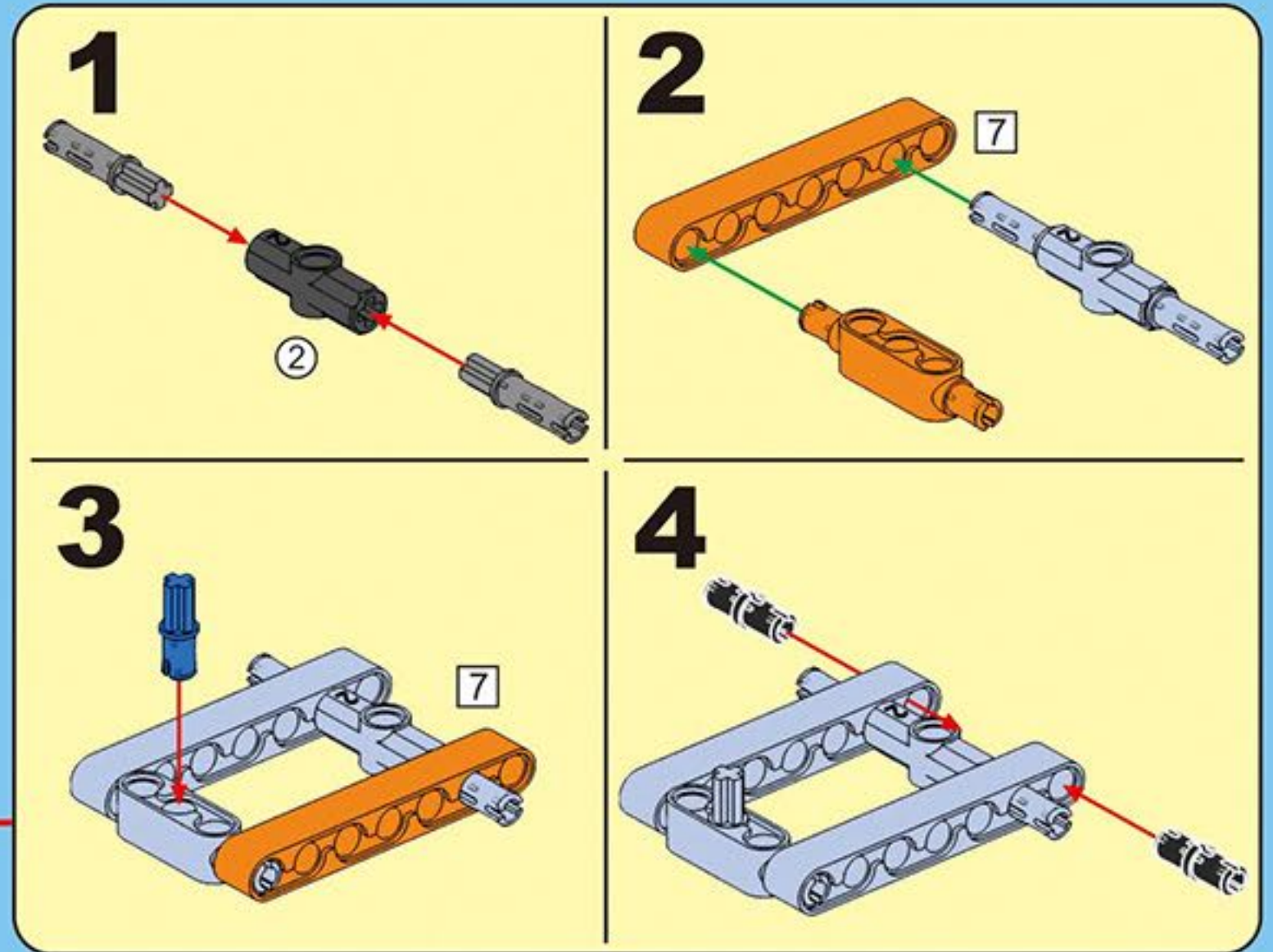
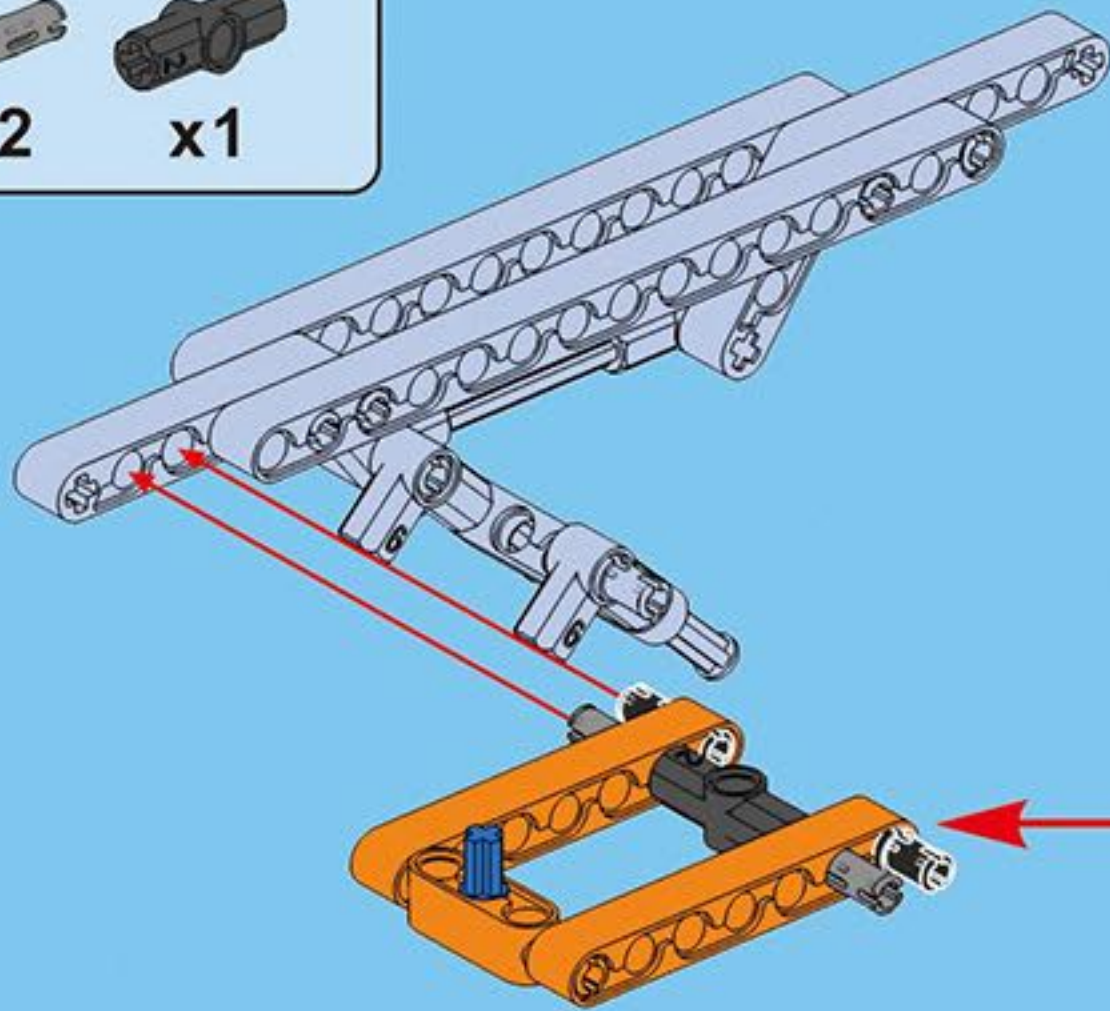




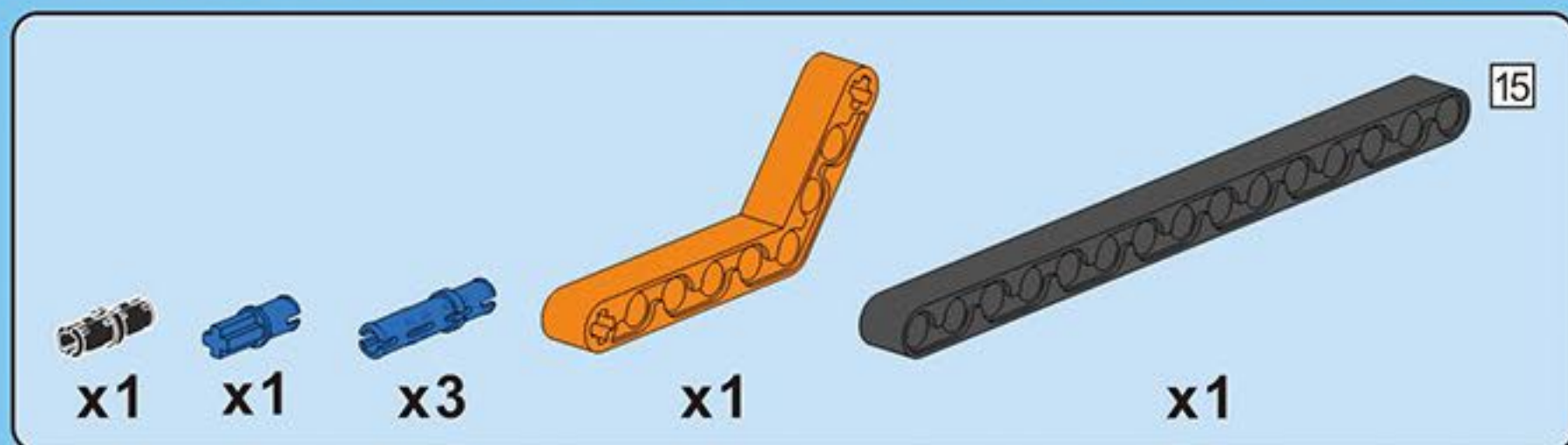
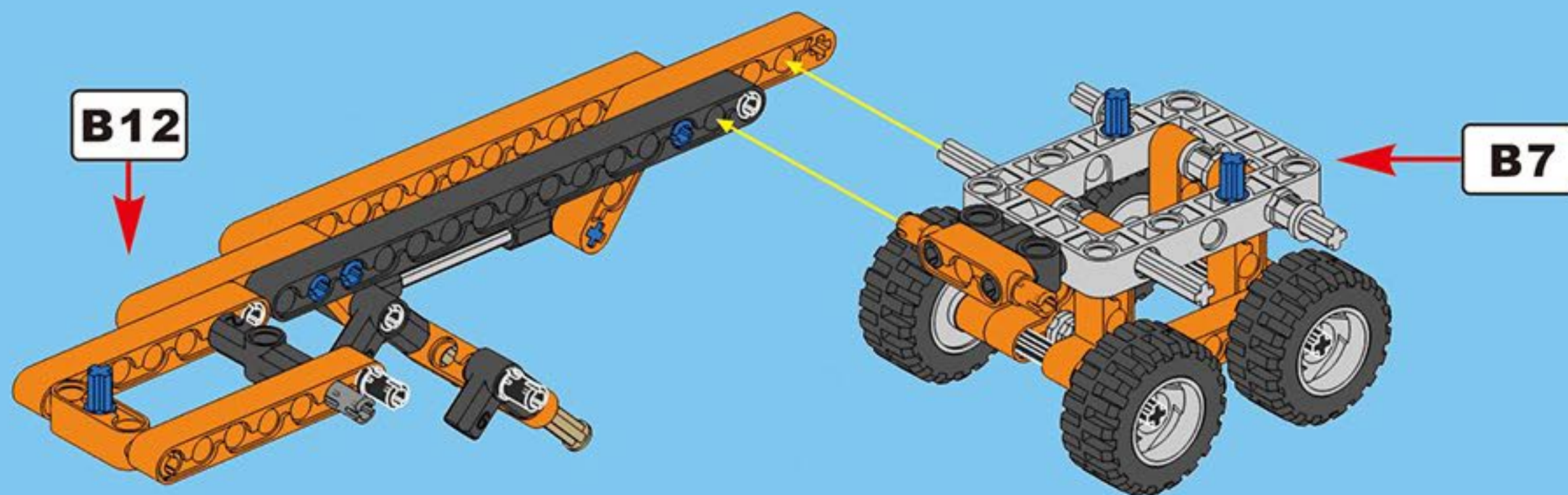
B11



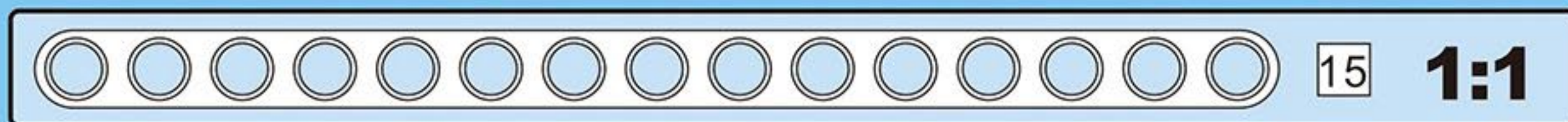
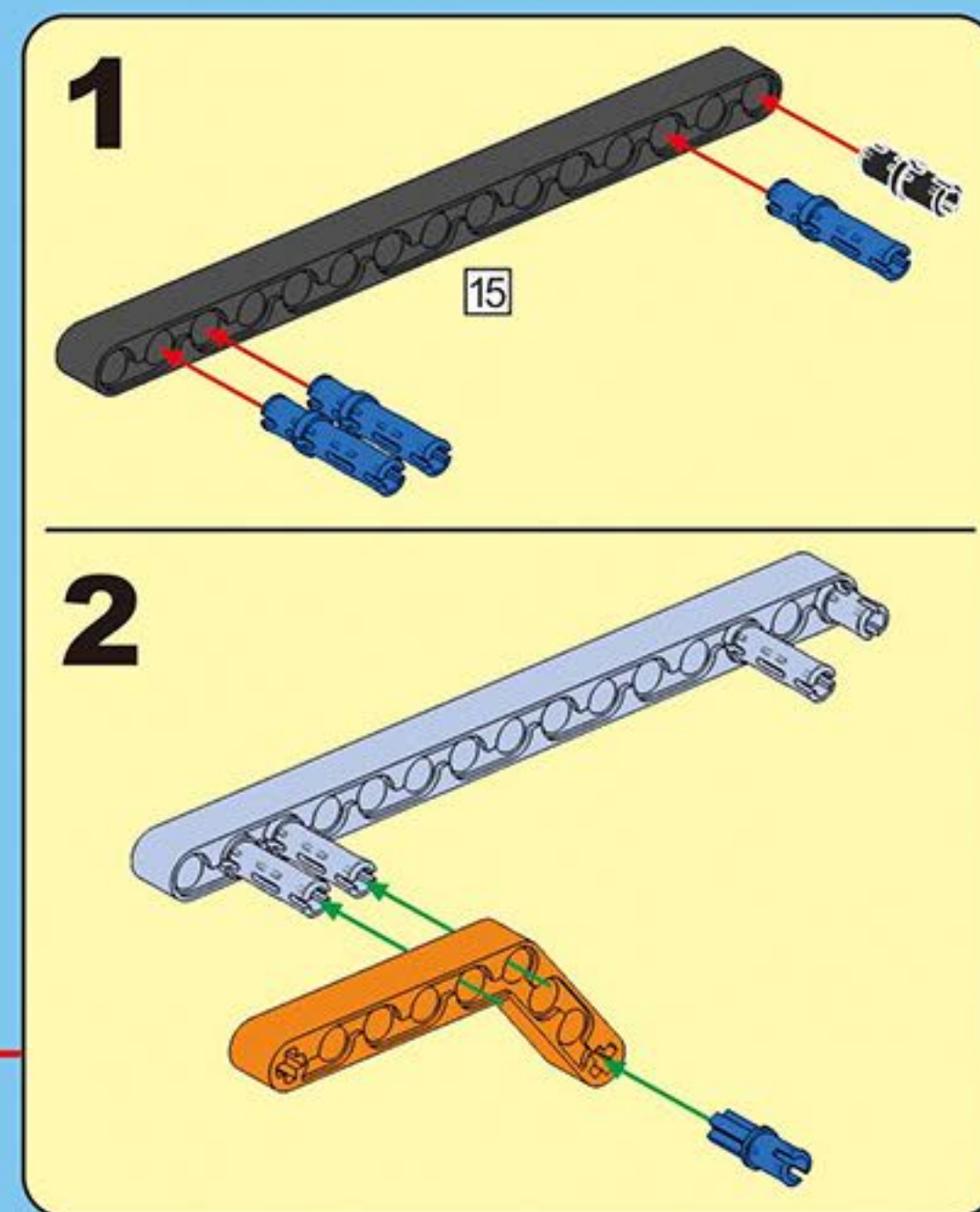
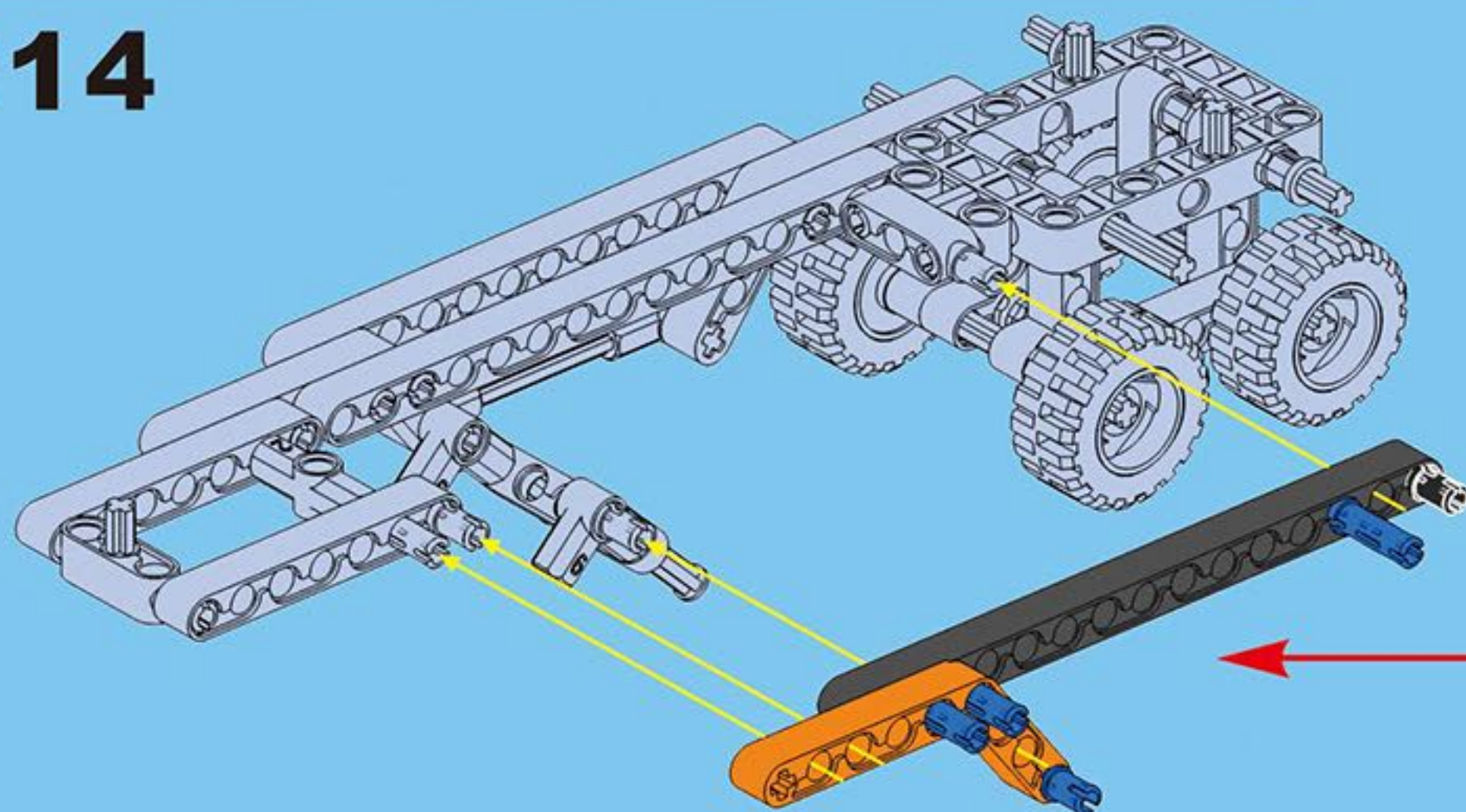
B12

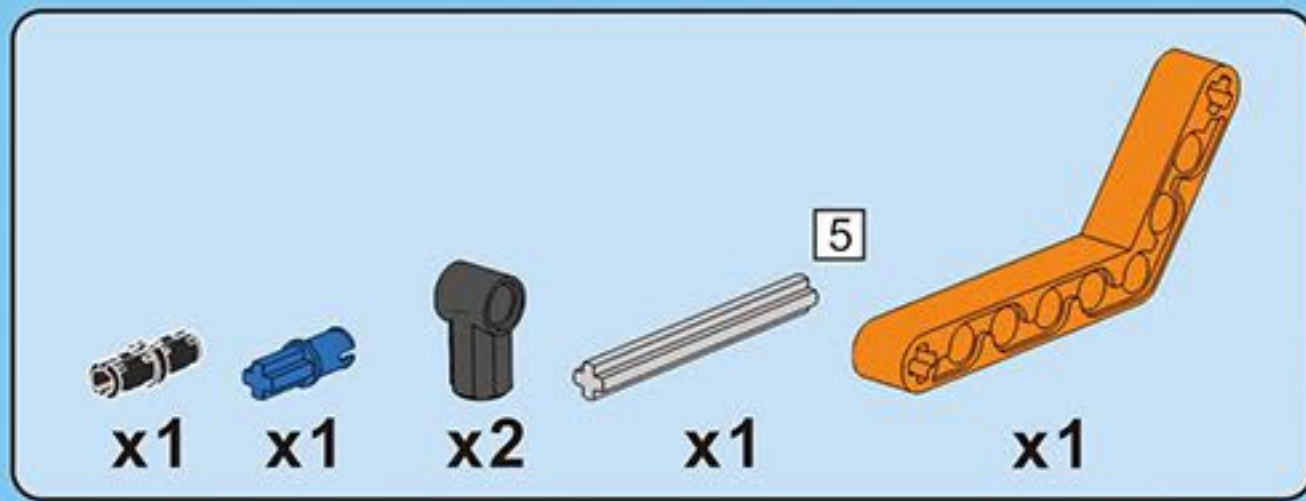


B13

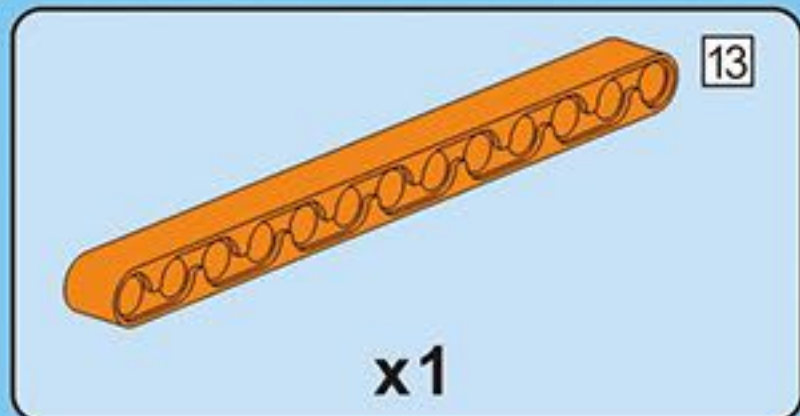
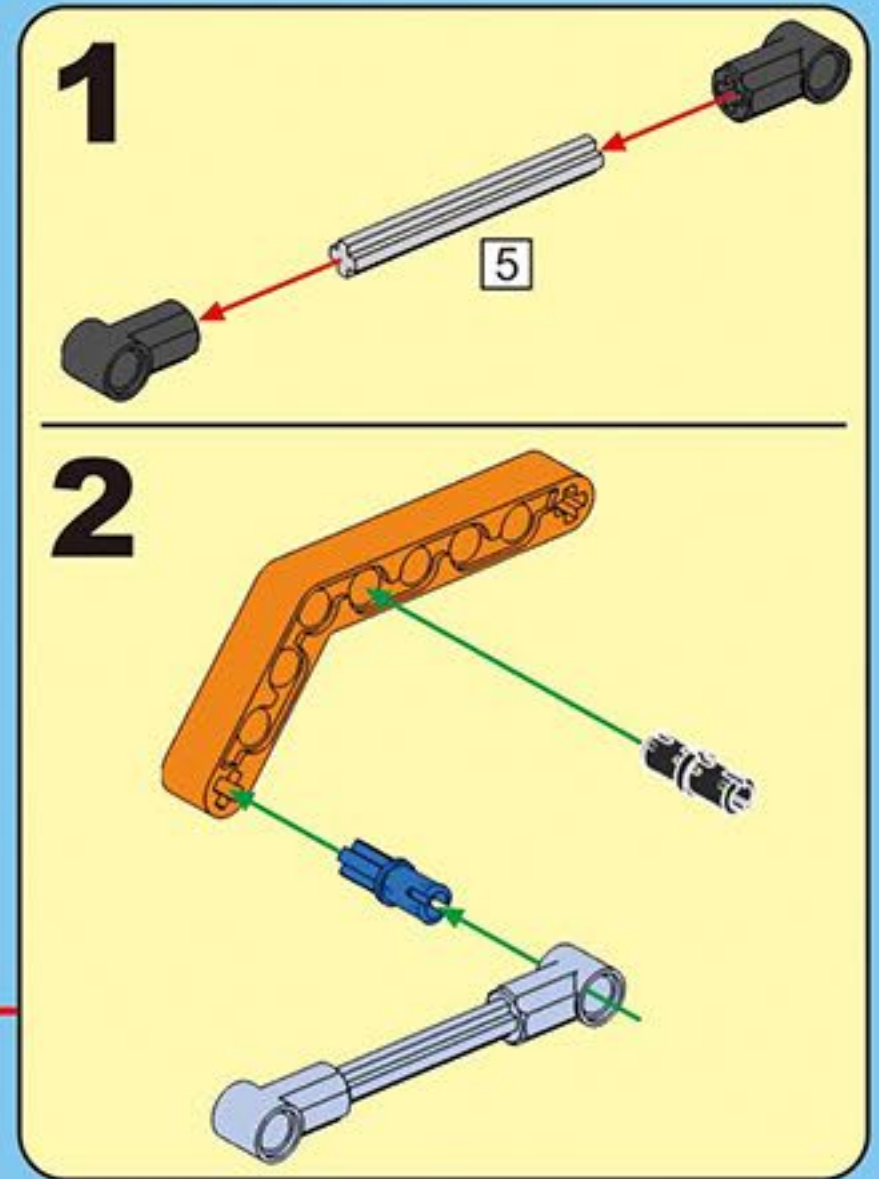
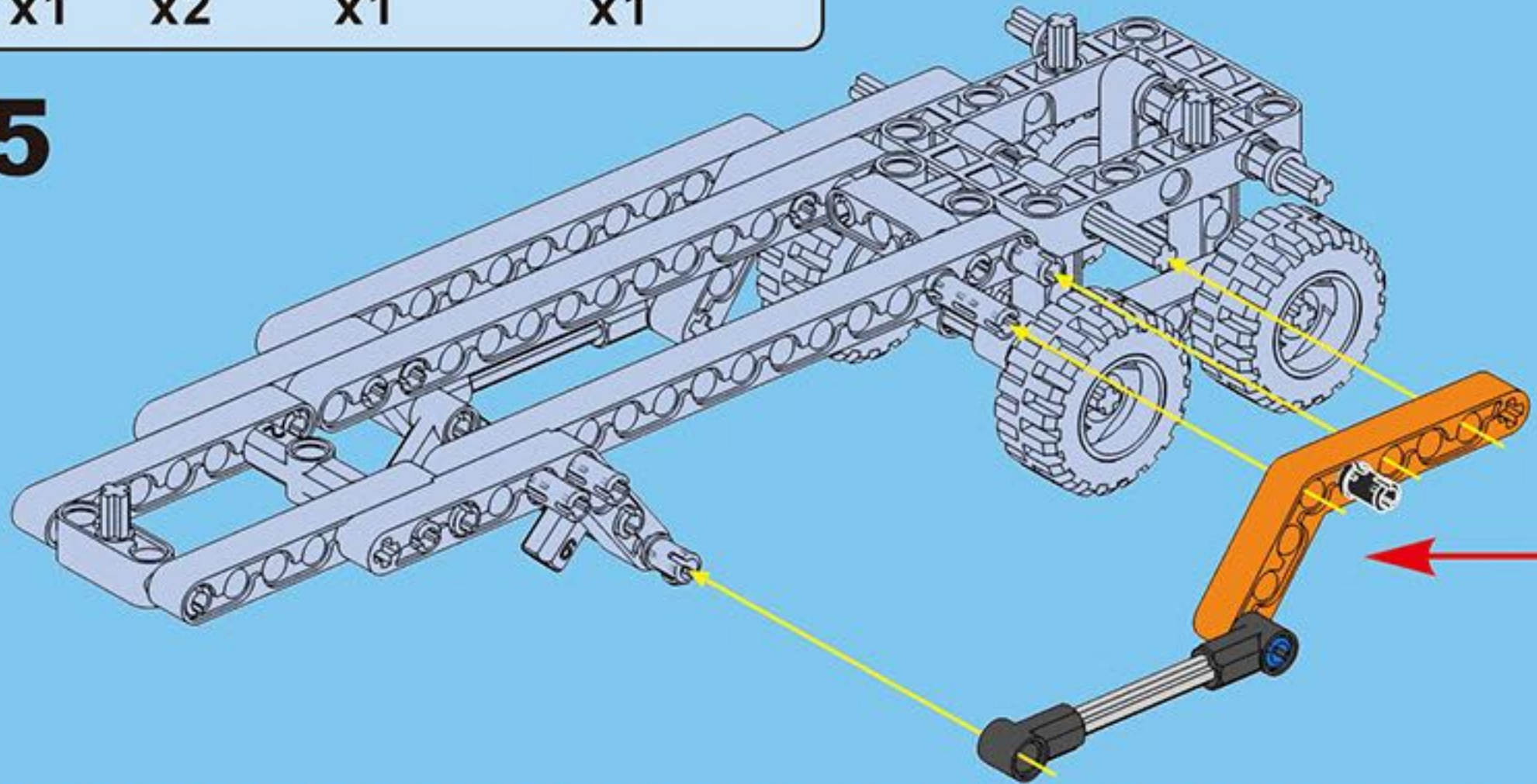


B14

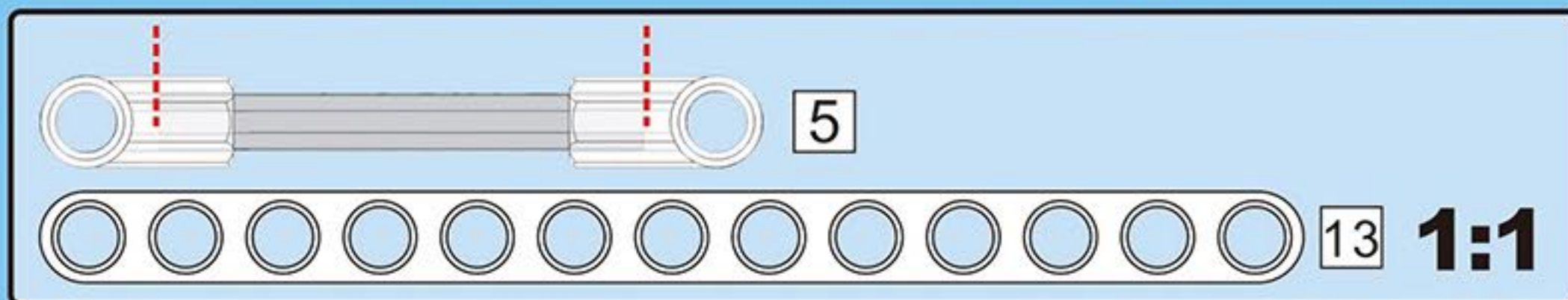
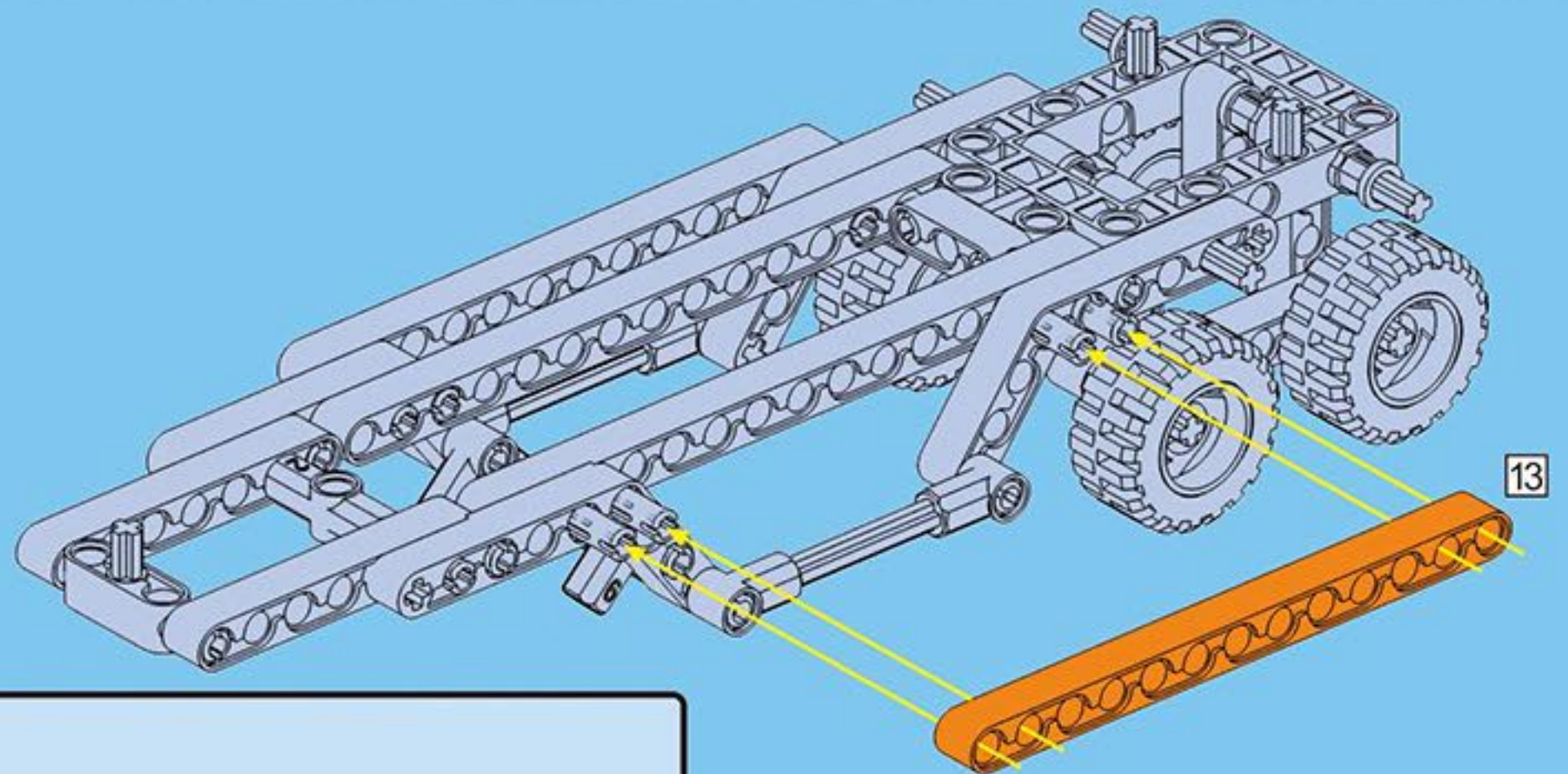


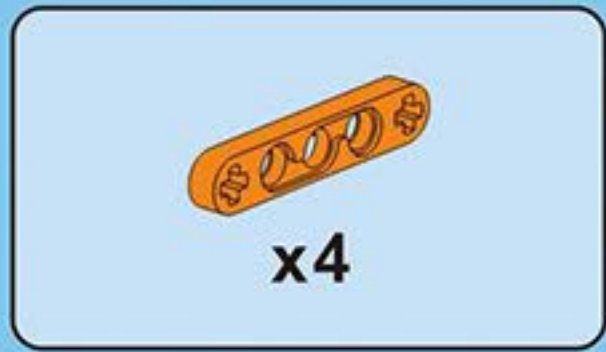


B15

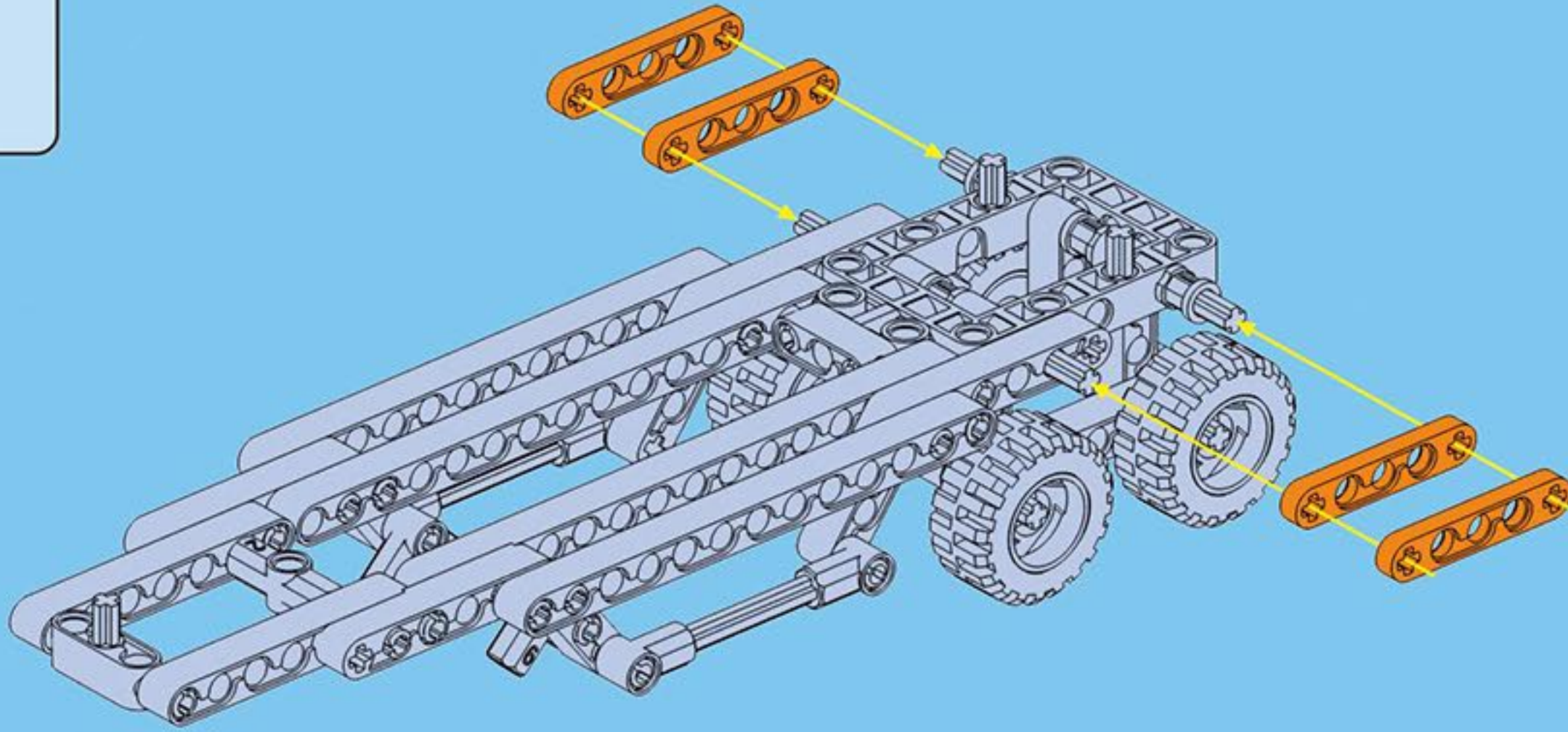


B16

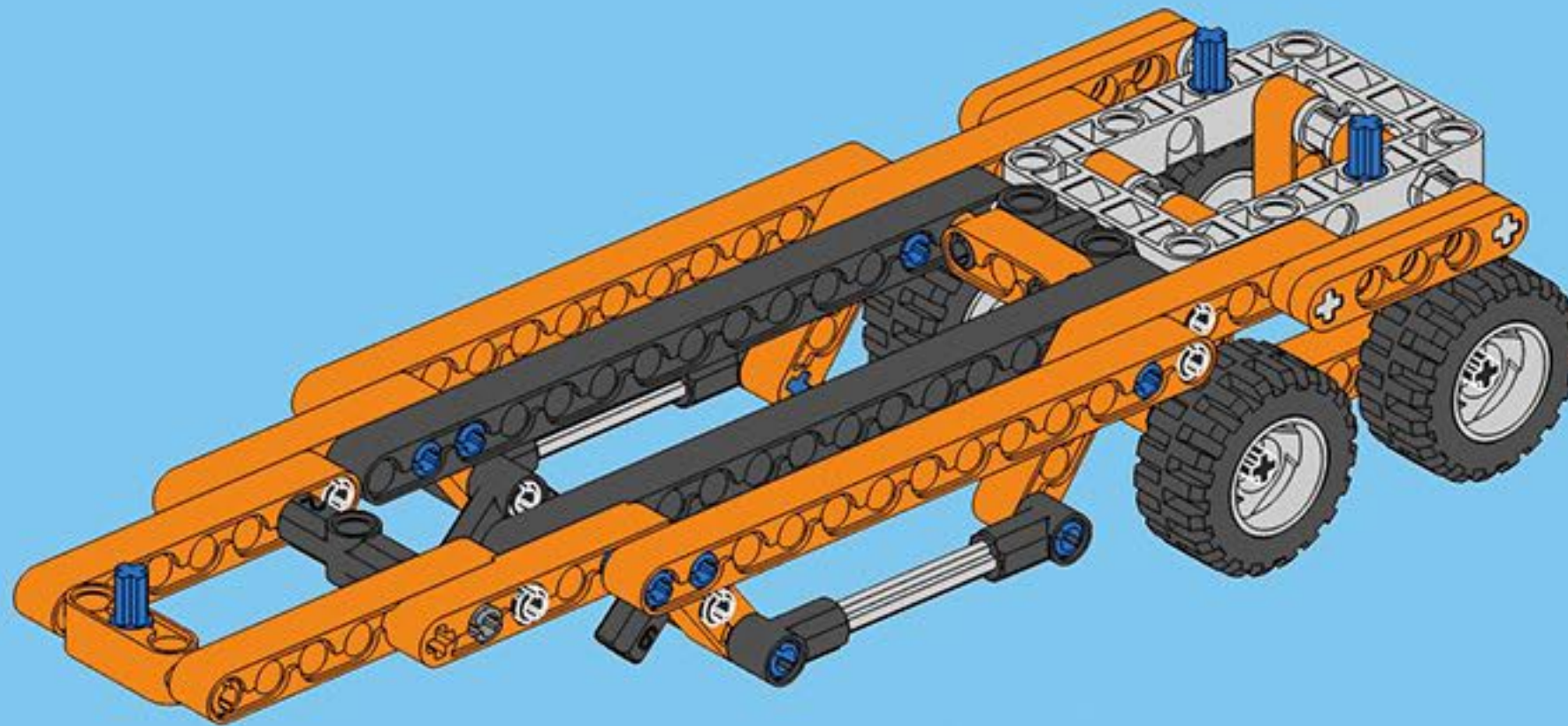


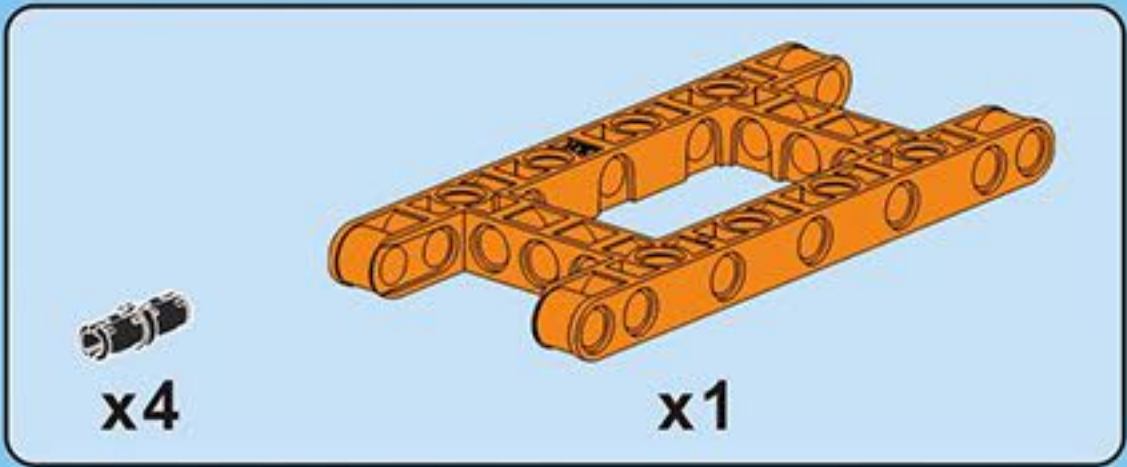
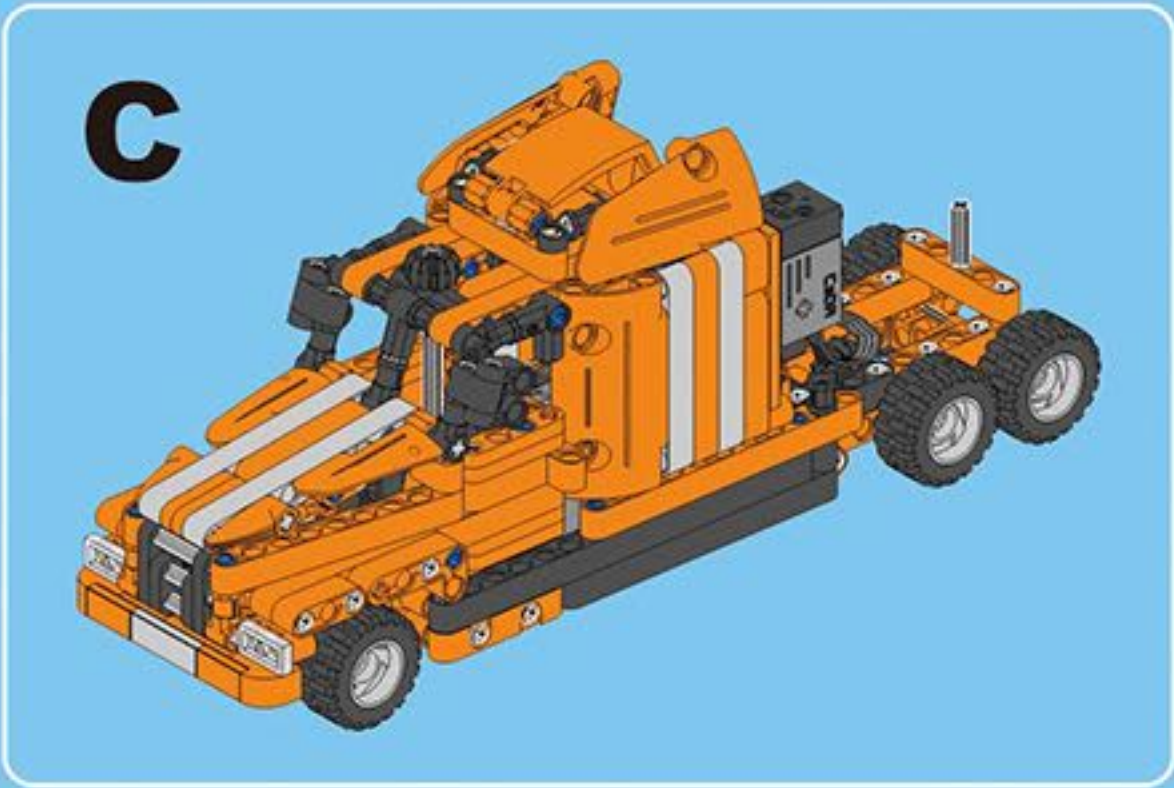


B17

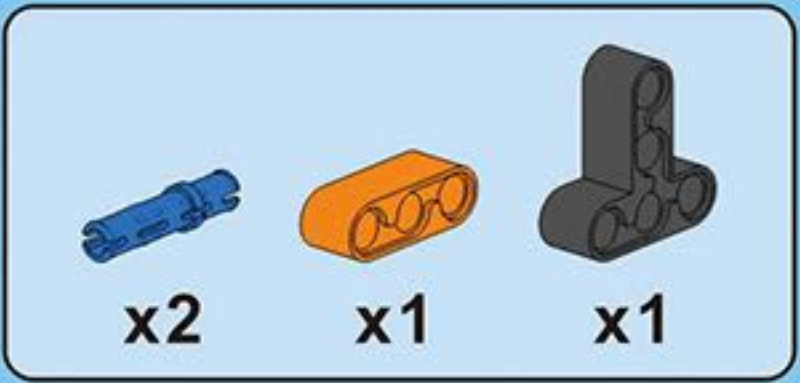
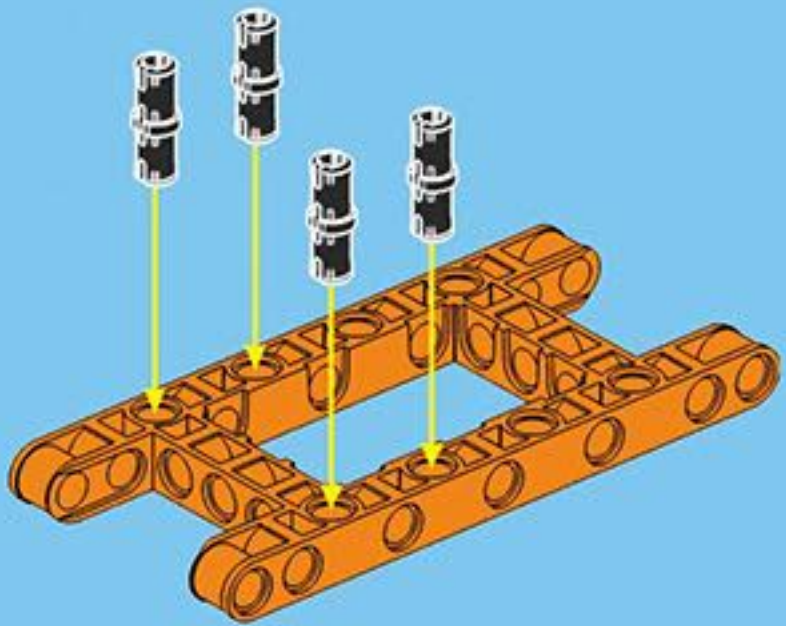


B18

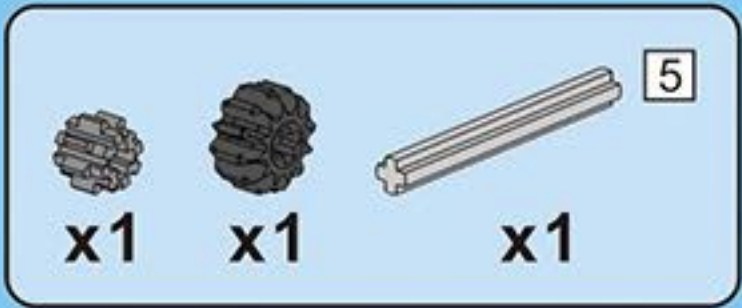
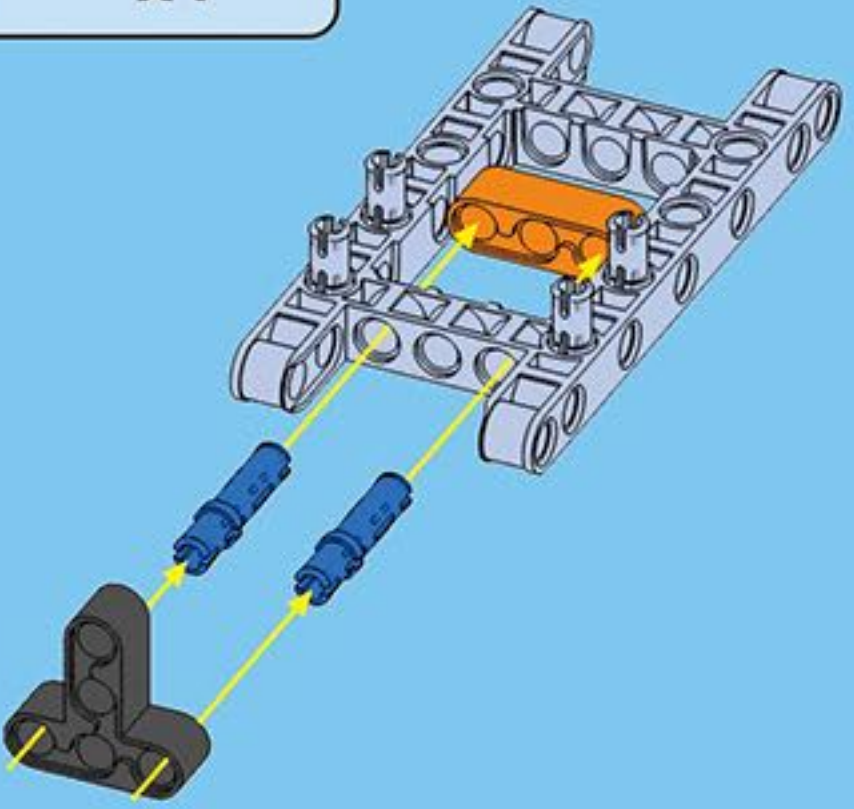




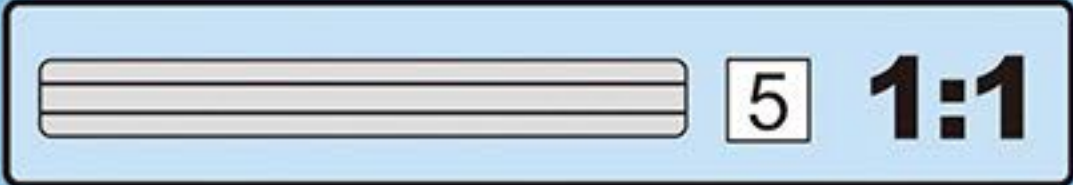
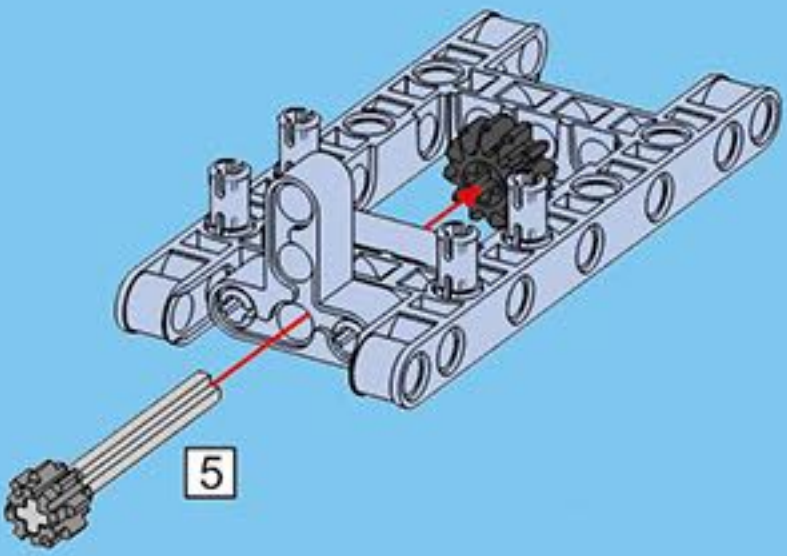
C1

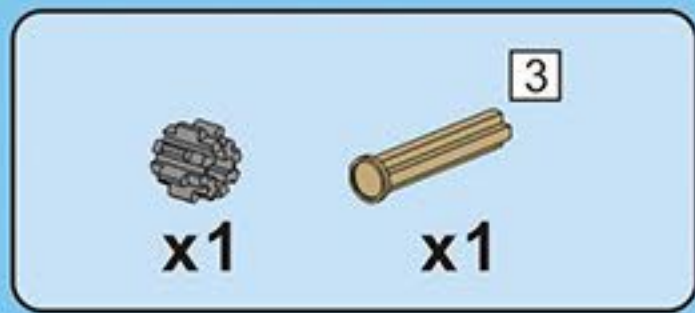


C2

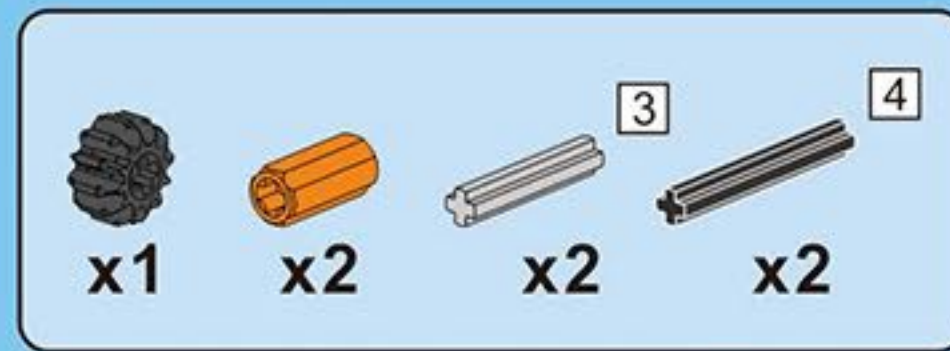
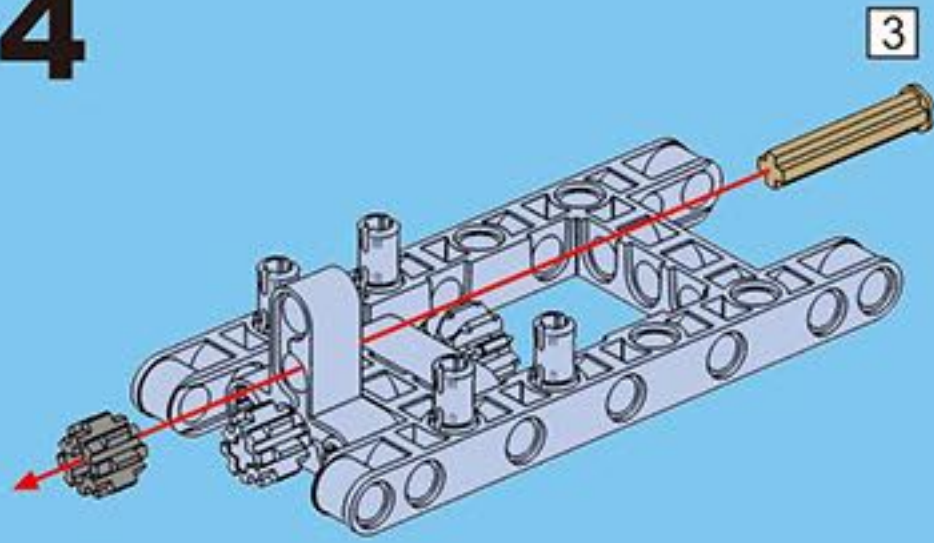


C3

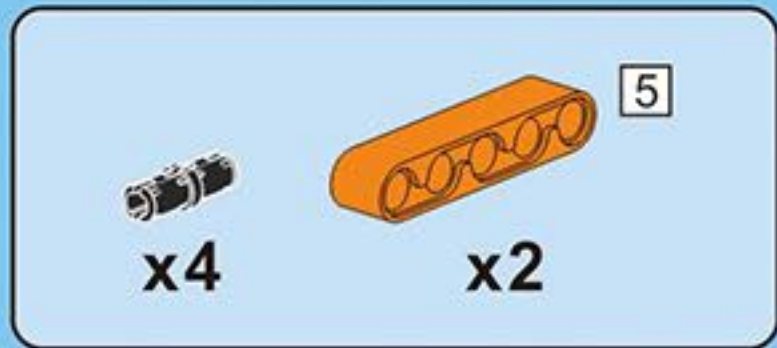
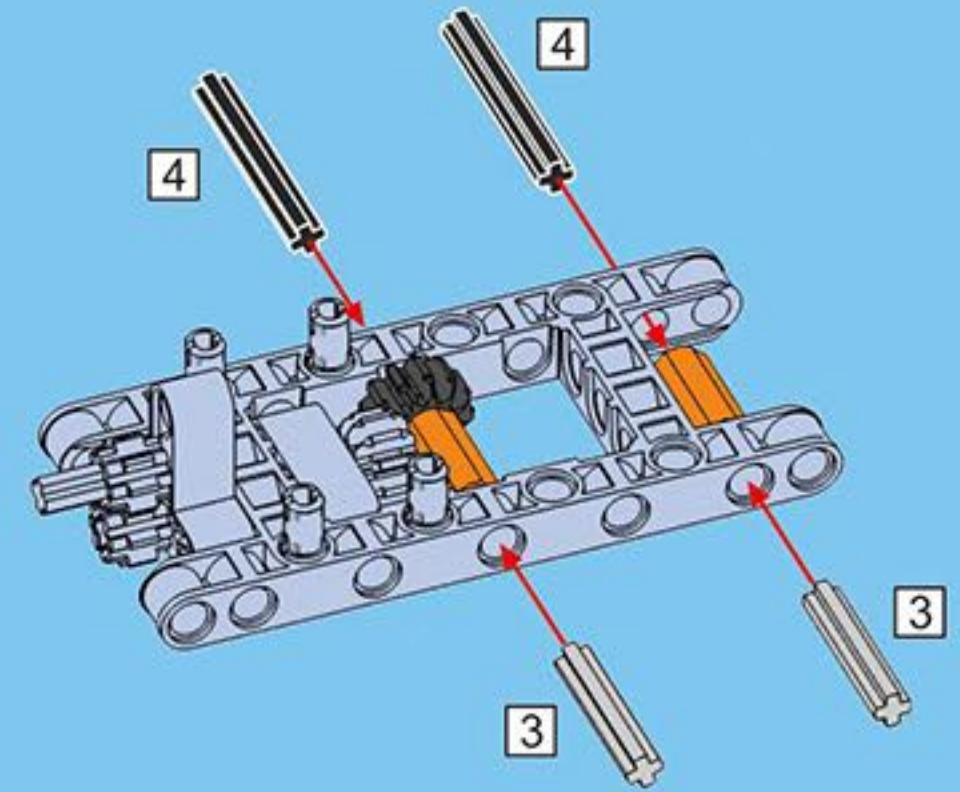




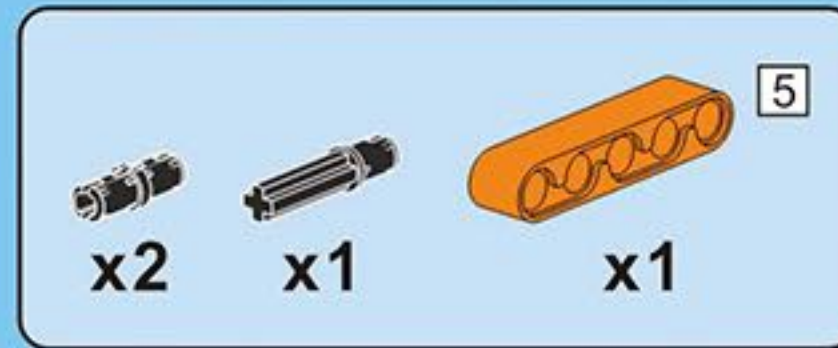
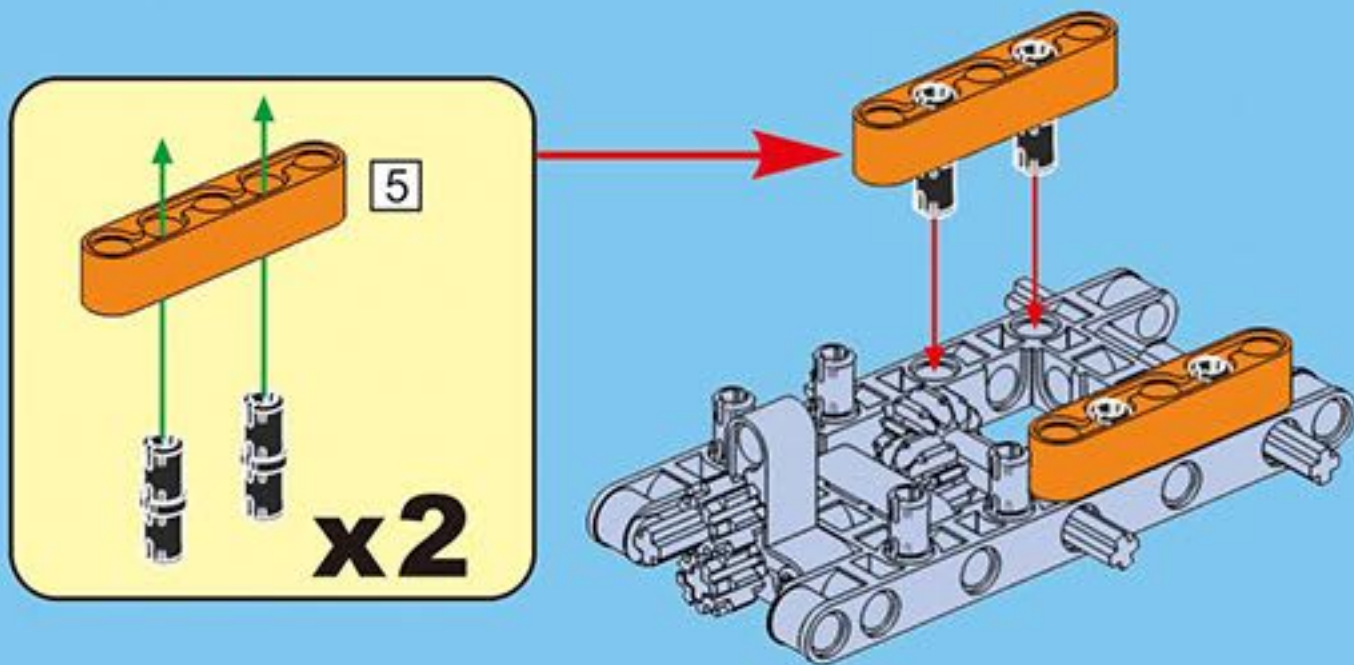
C4



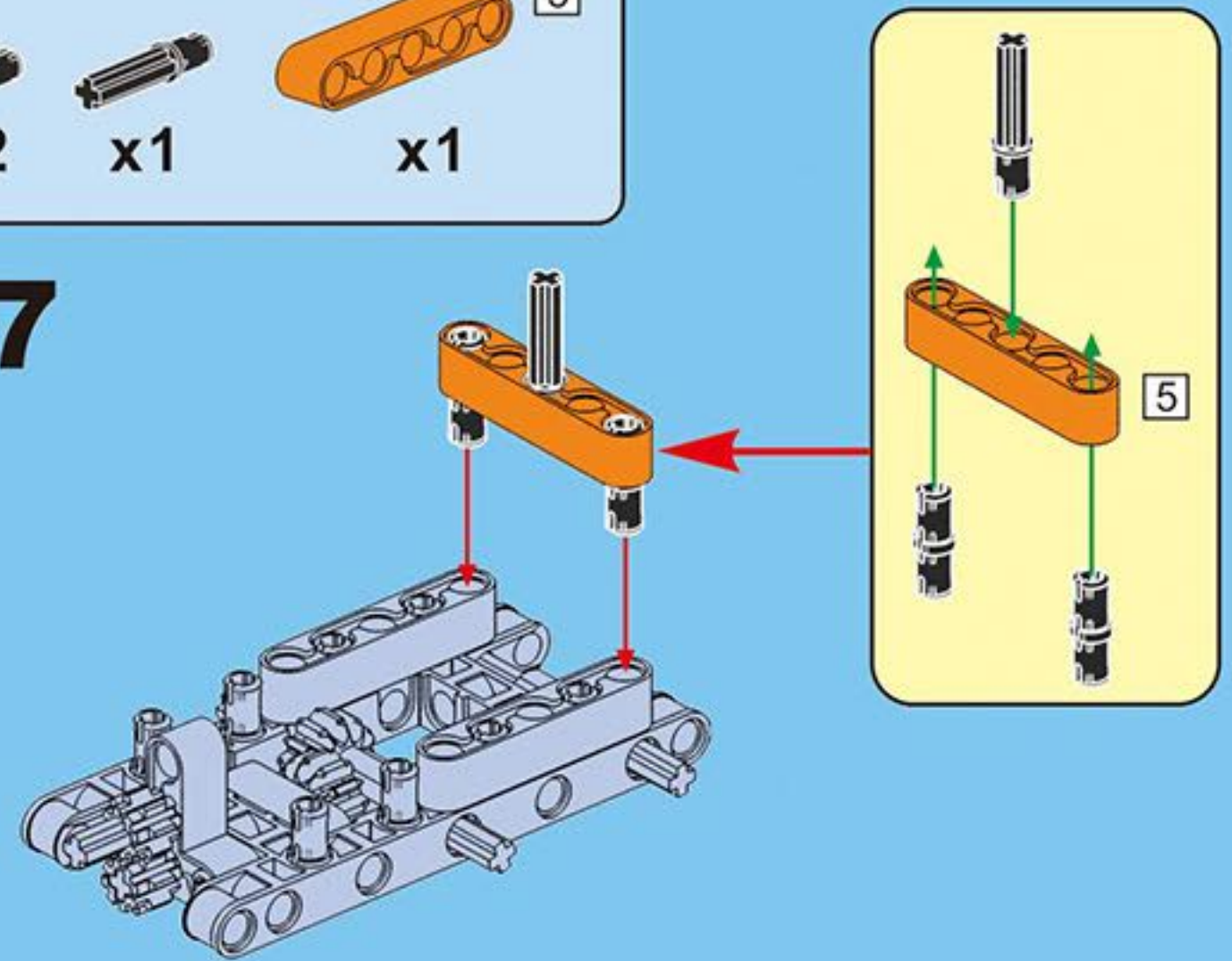
C5

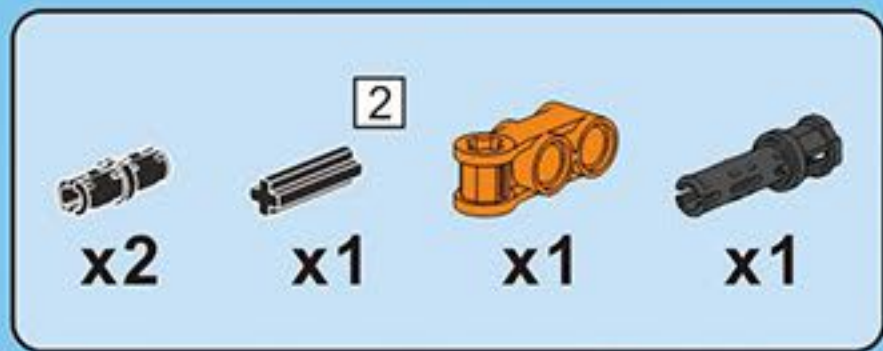


C6

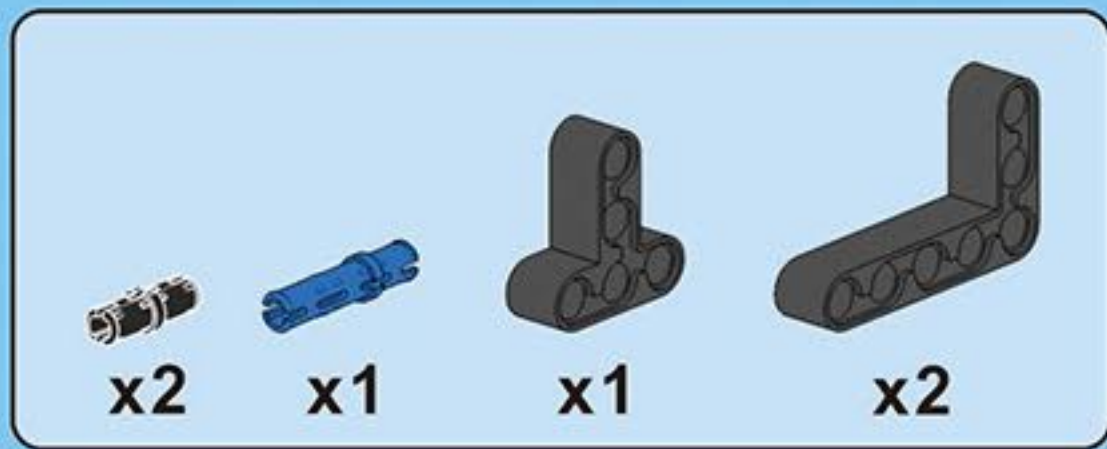
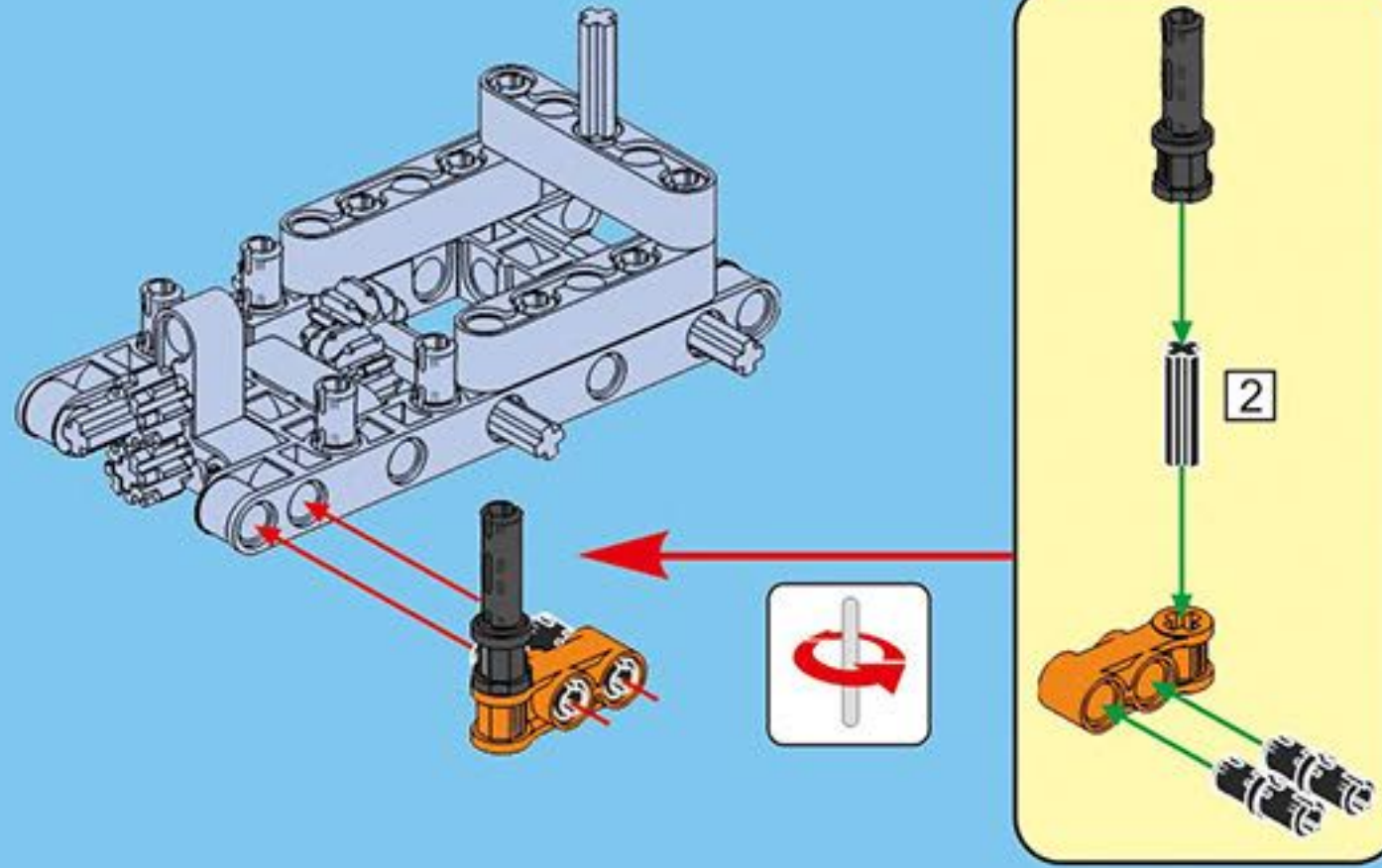


C7

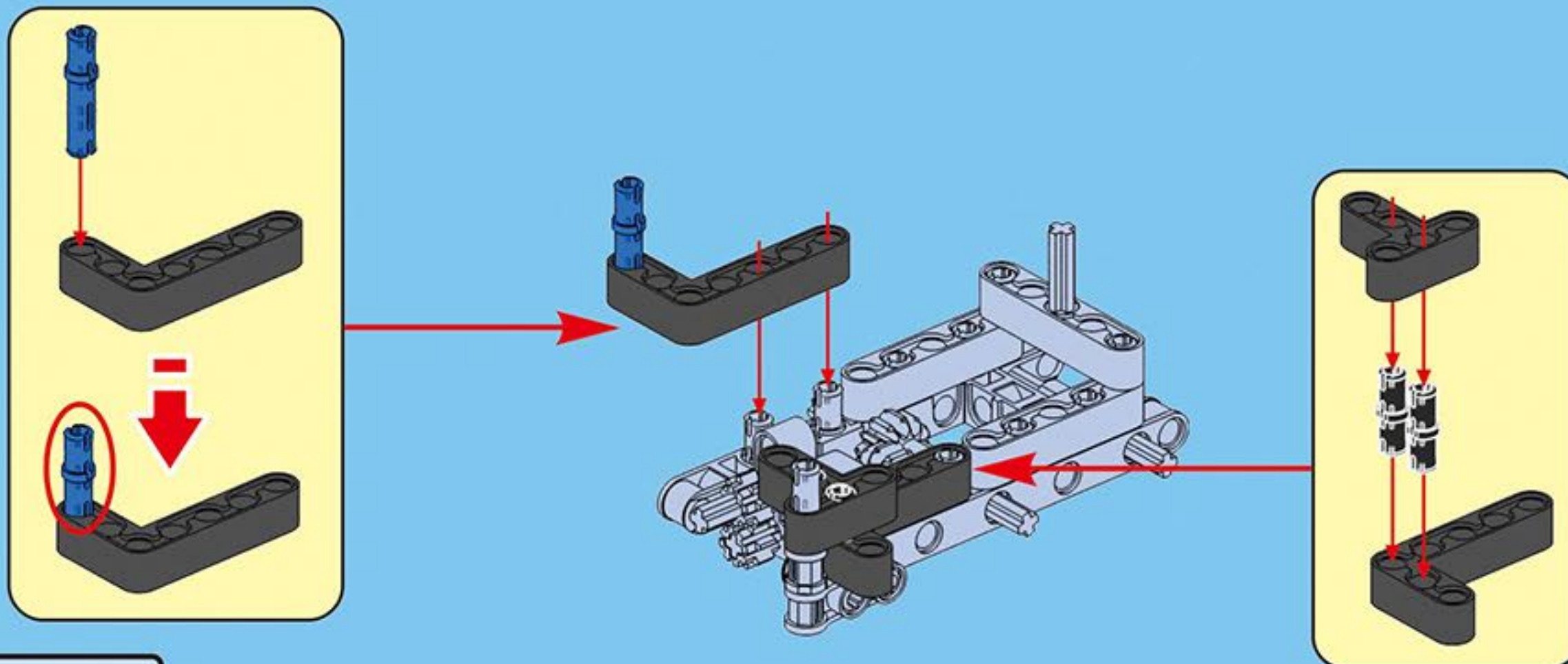


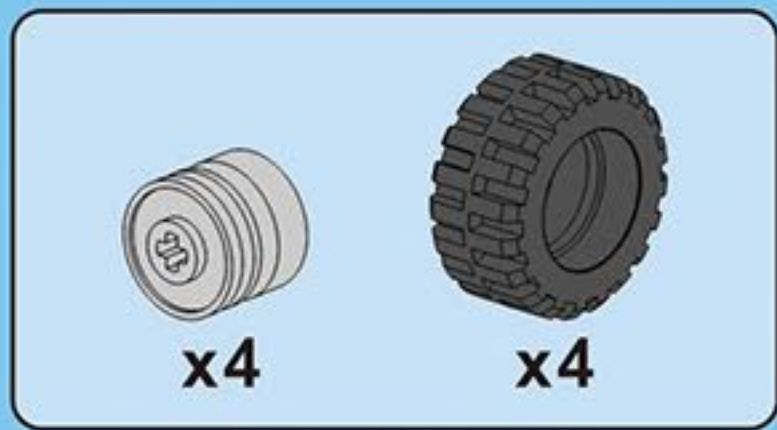


C8

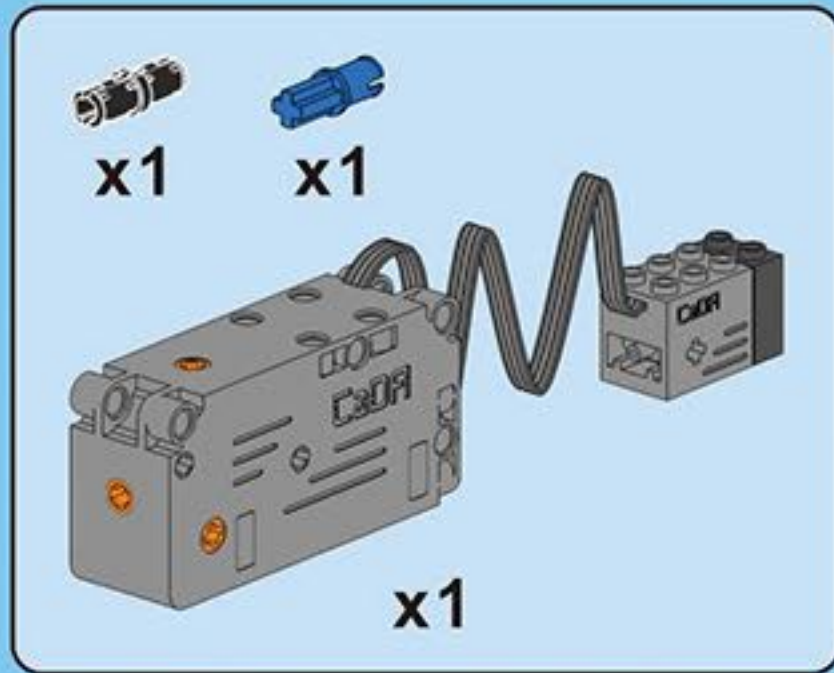
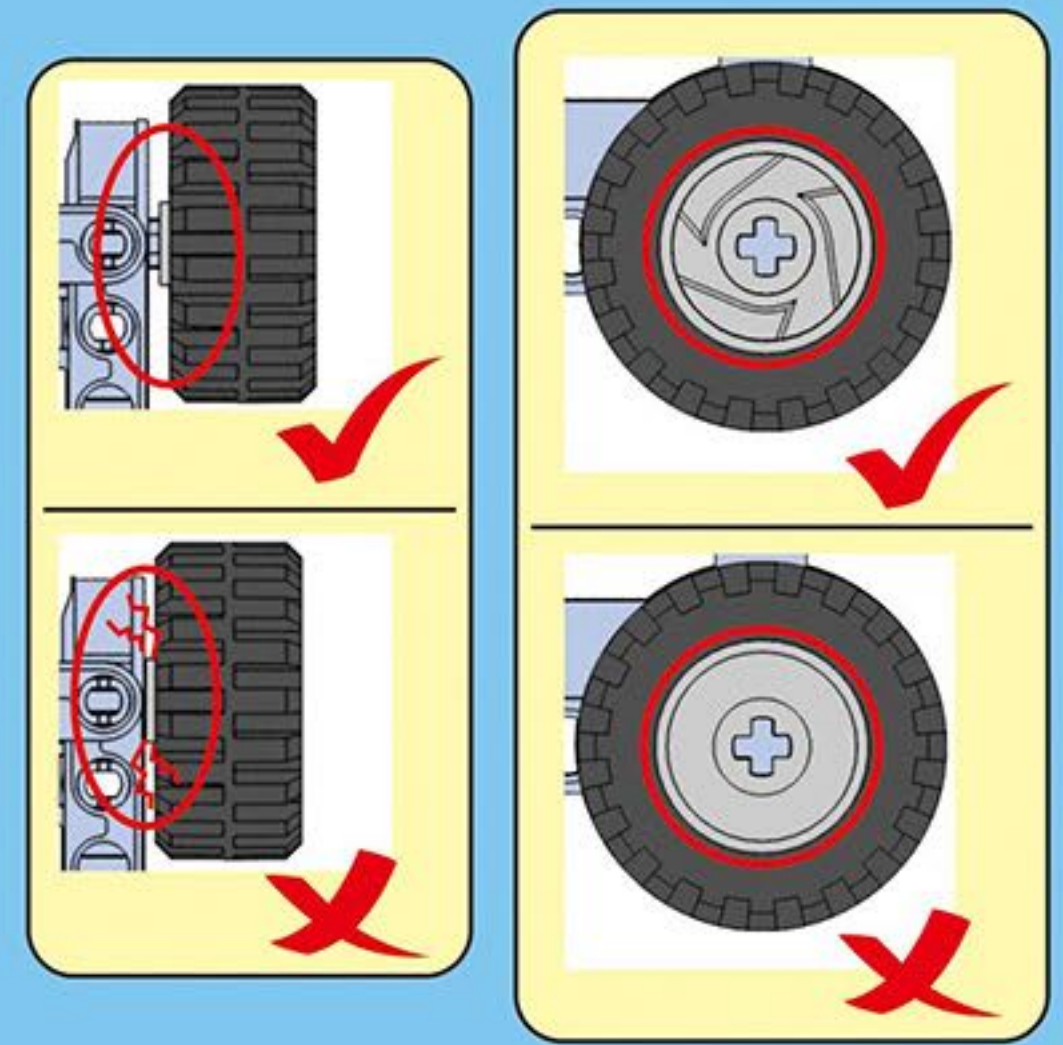
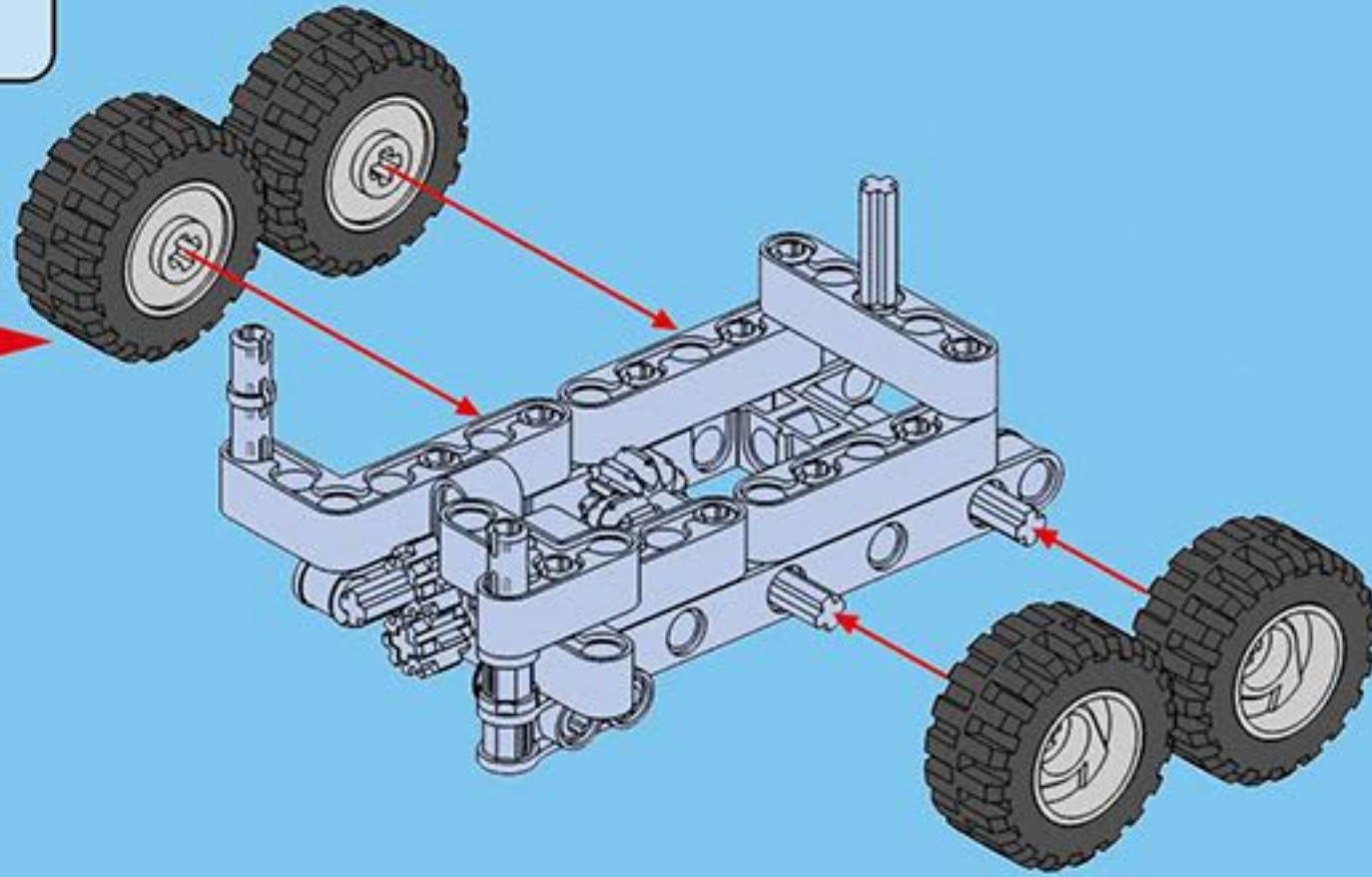


C9

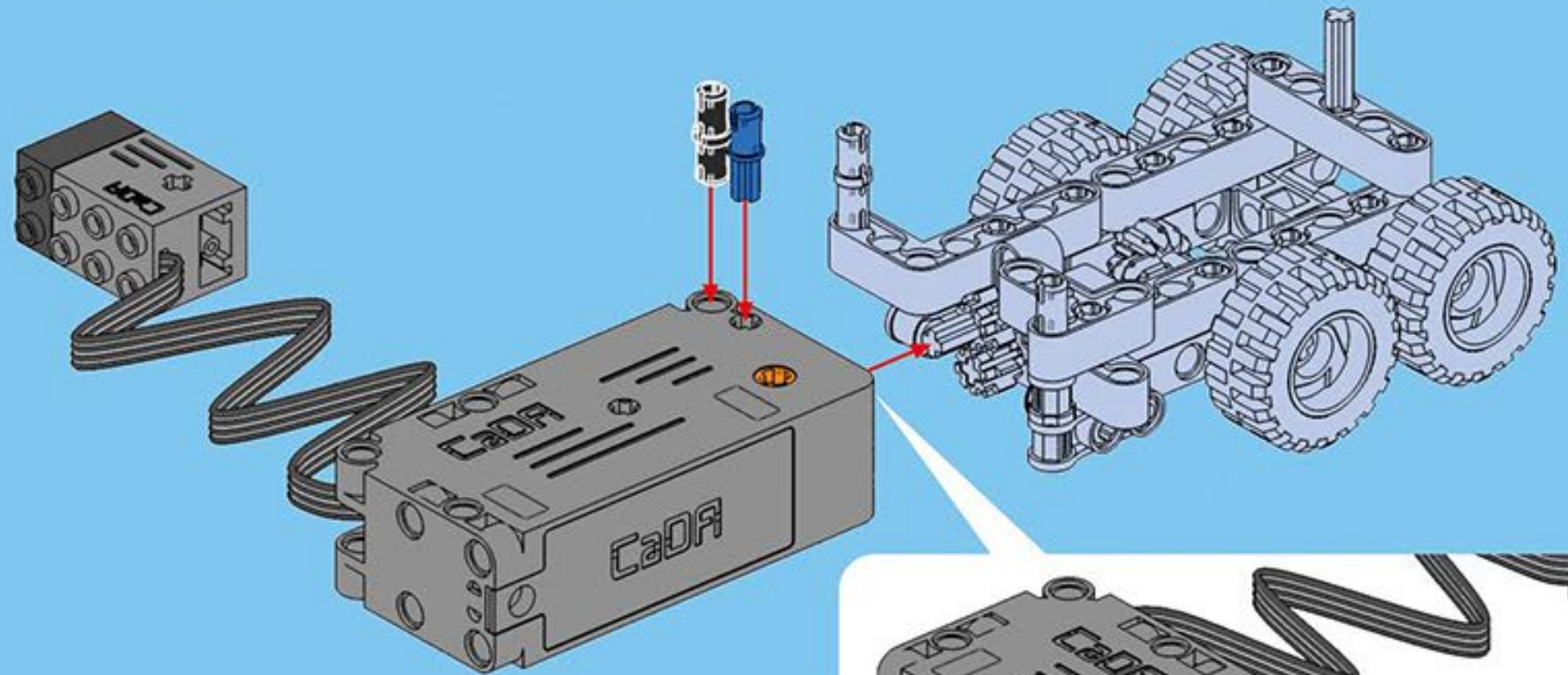




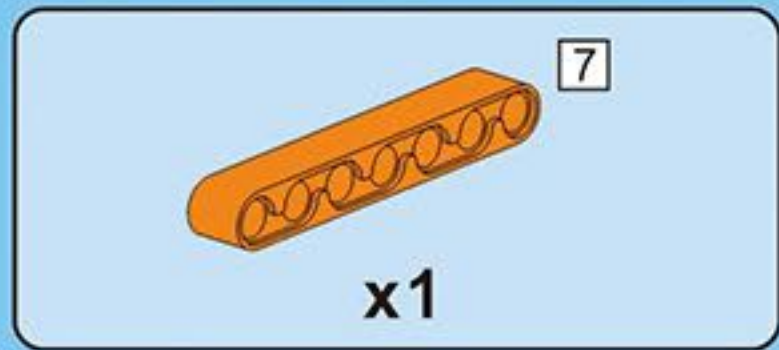
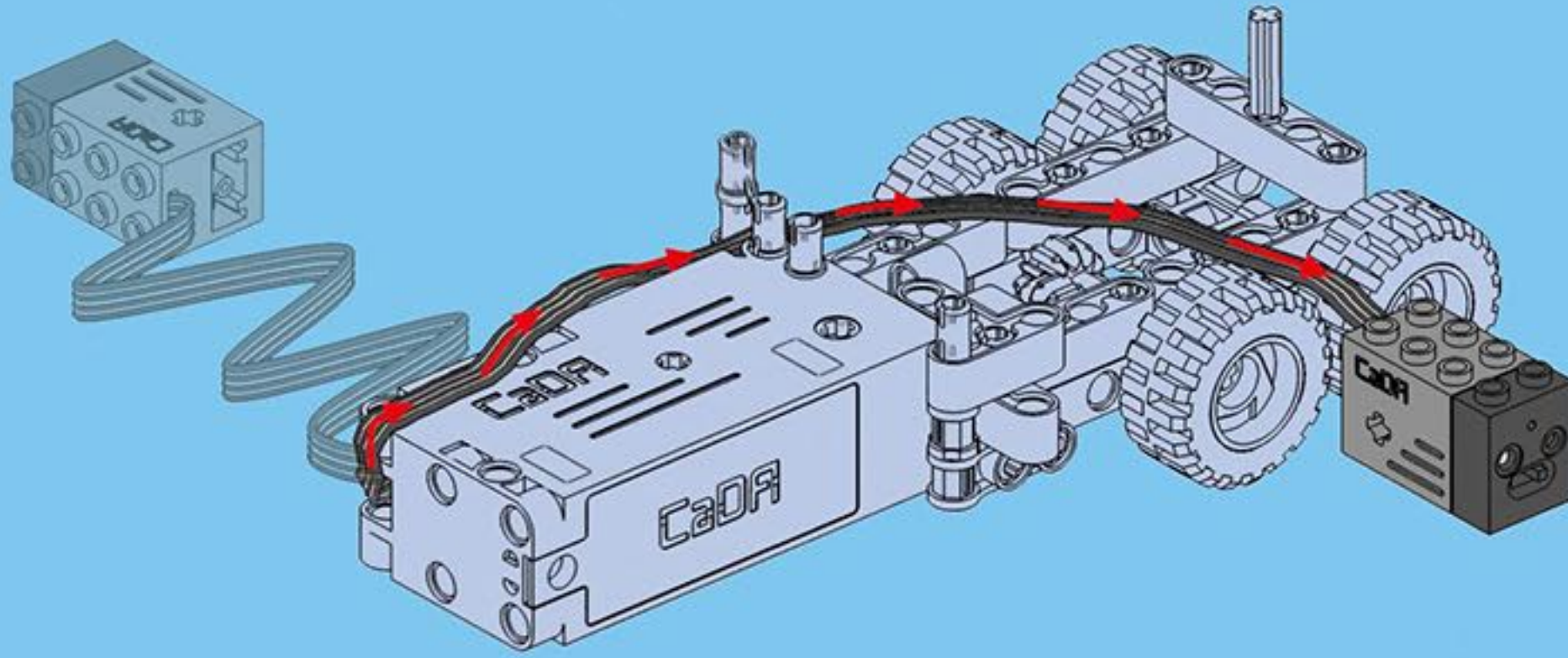
C10



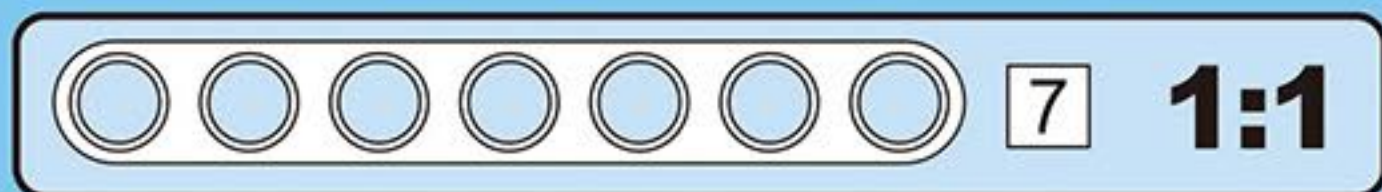
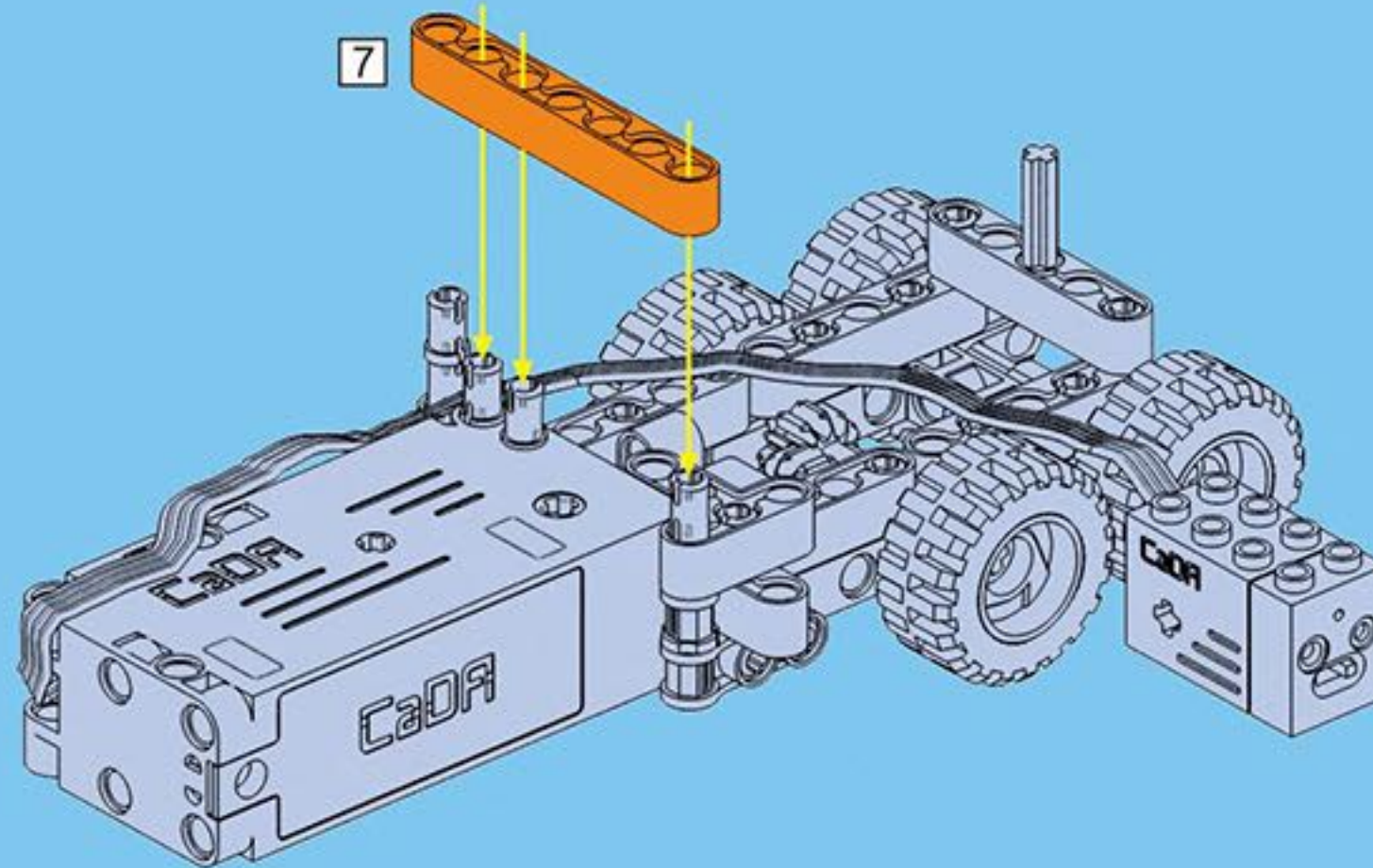
C11

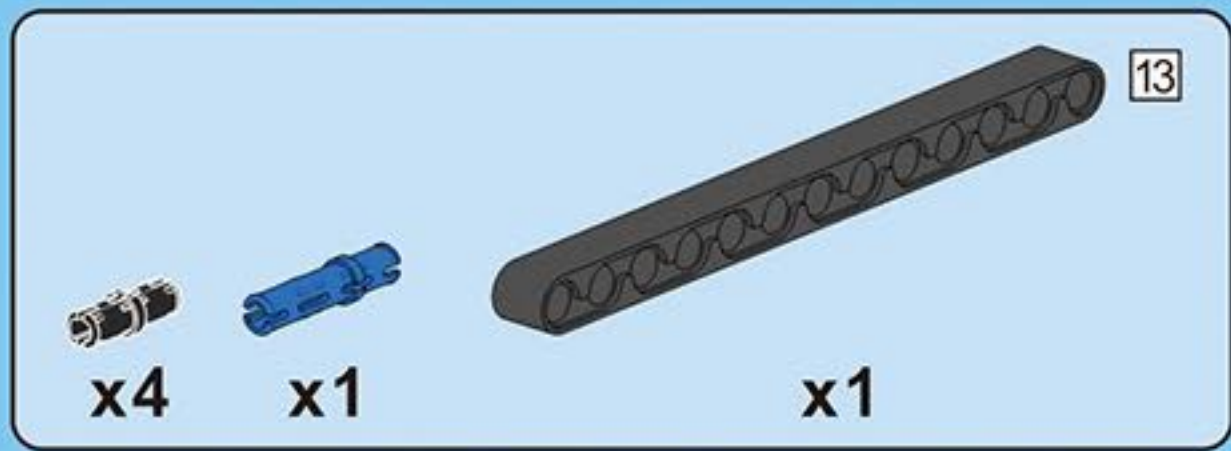


C12

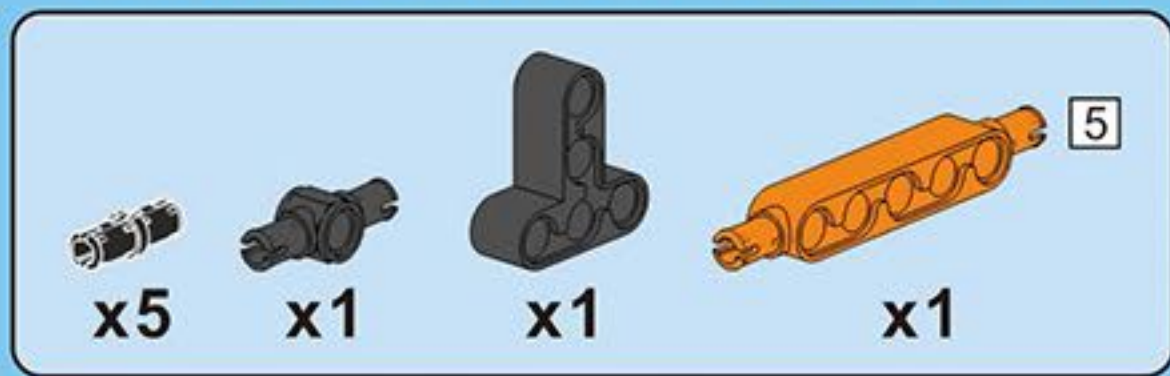
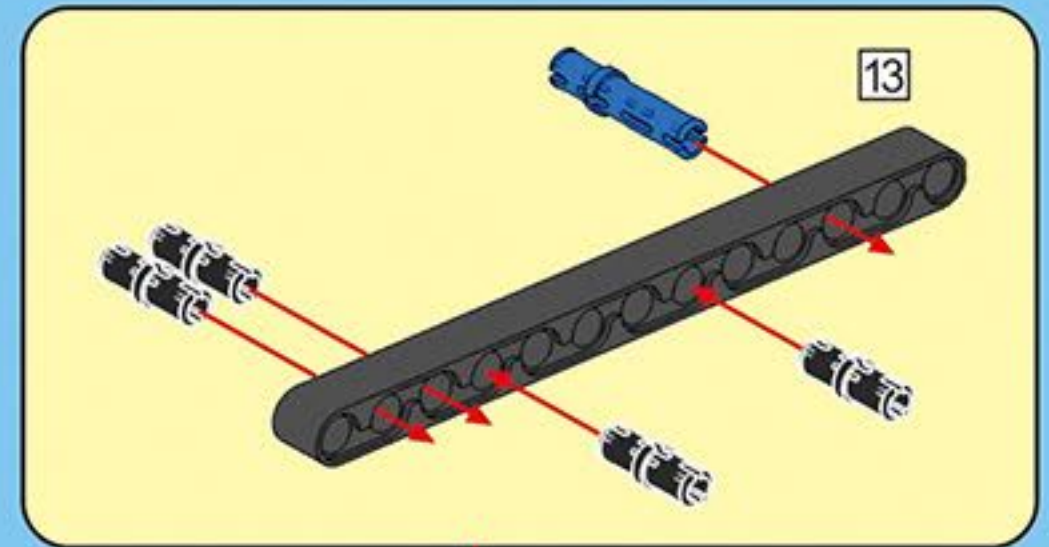
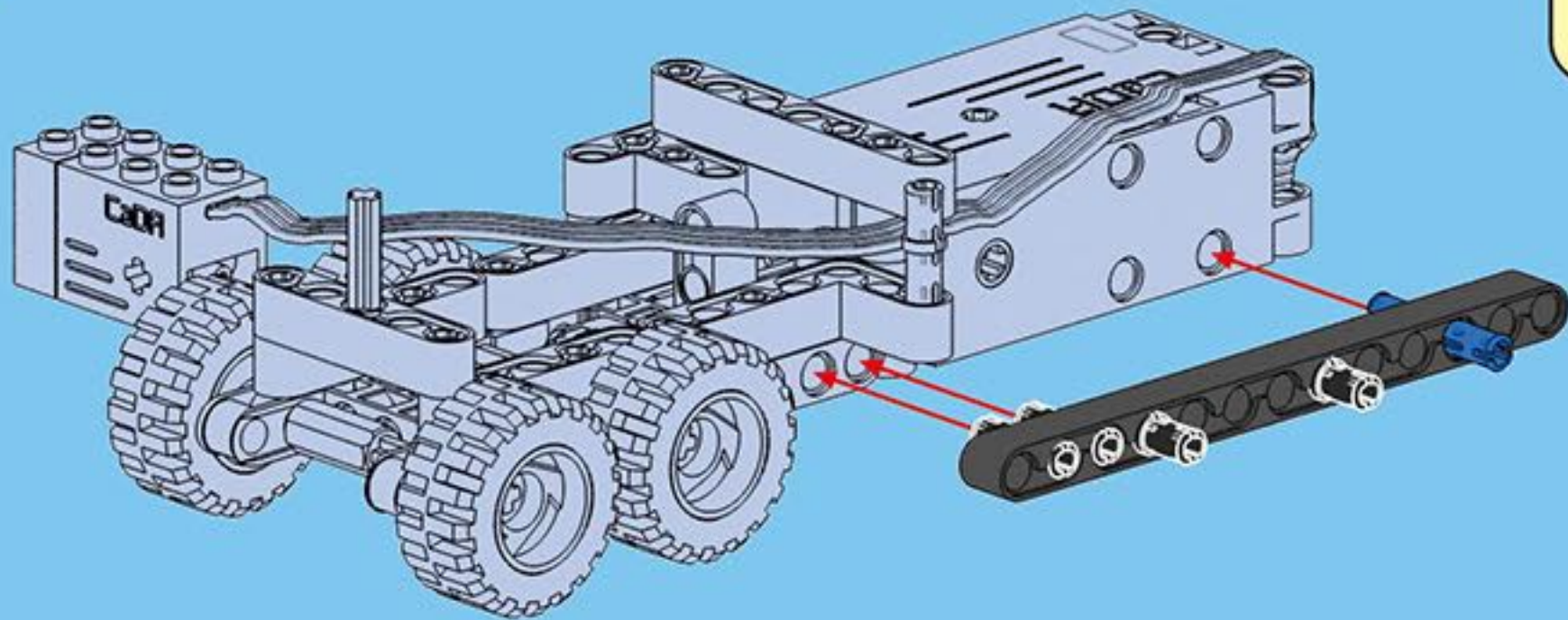


C13

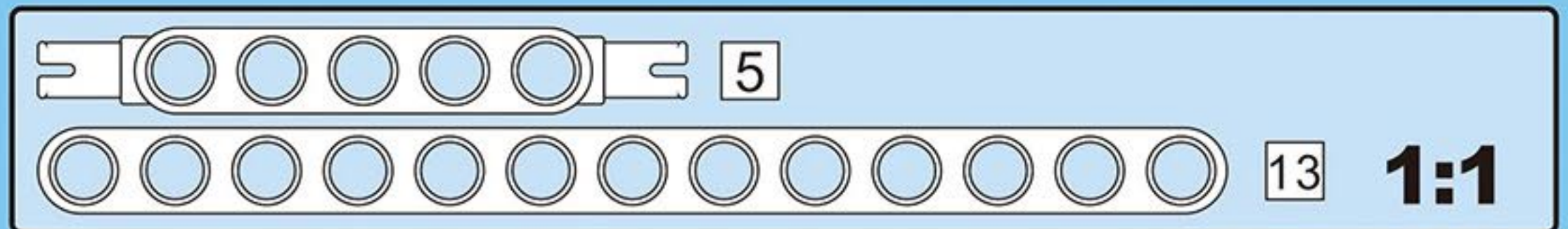
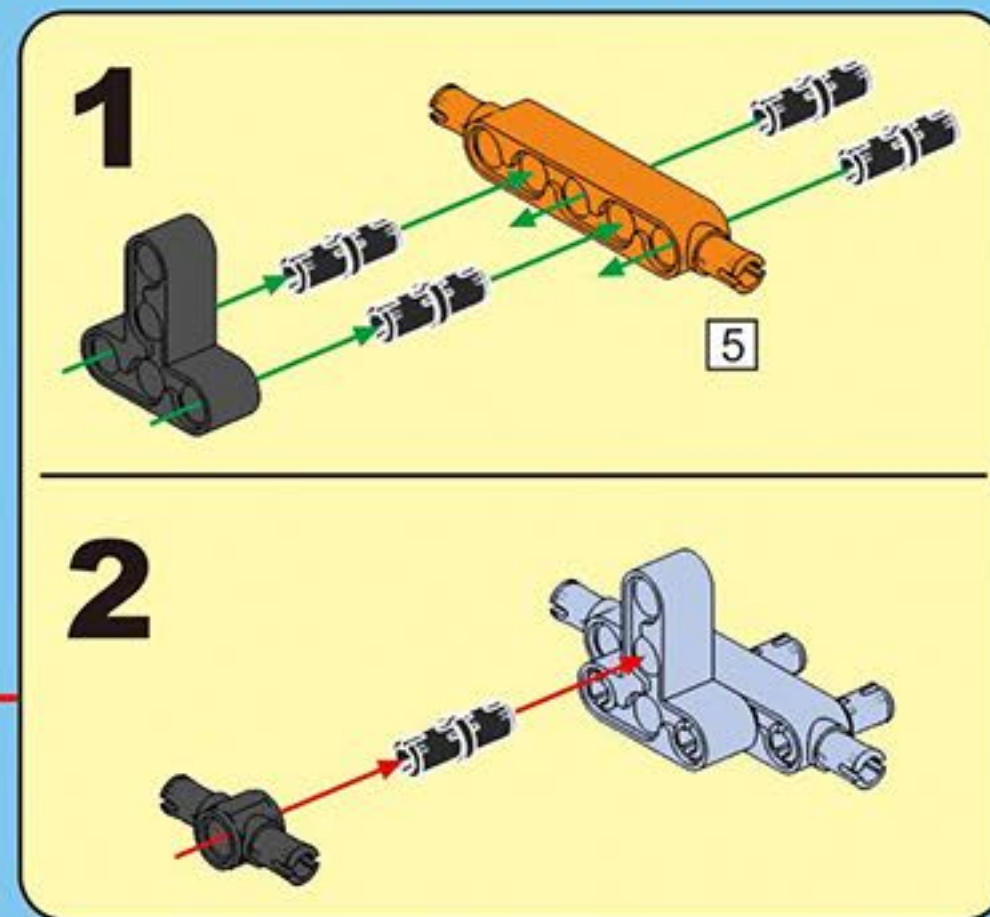
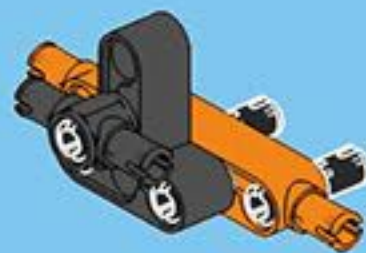


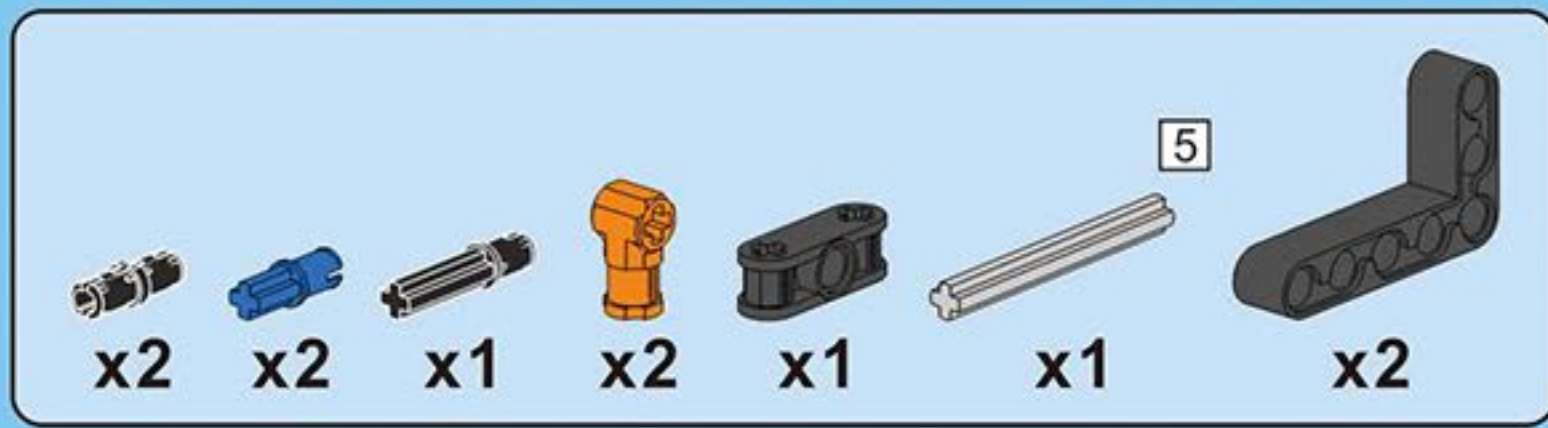


C14

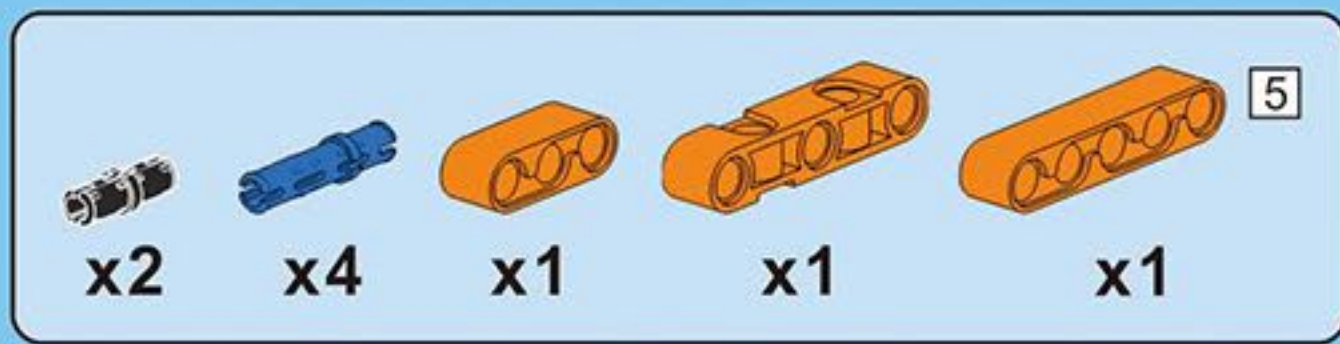
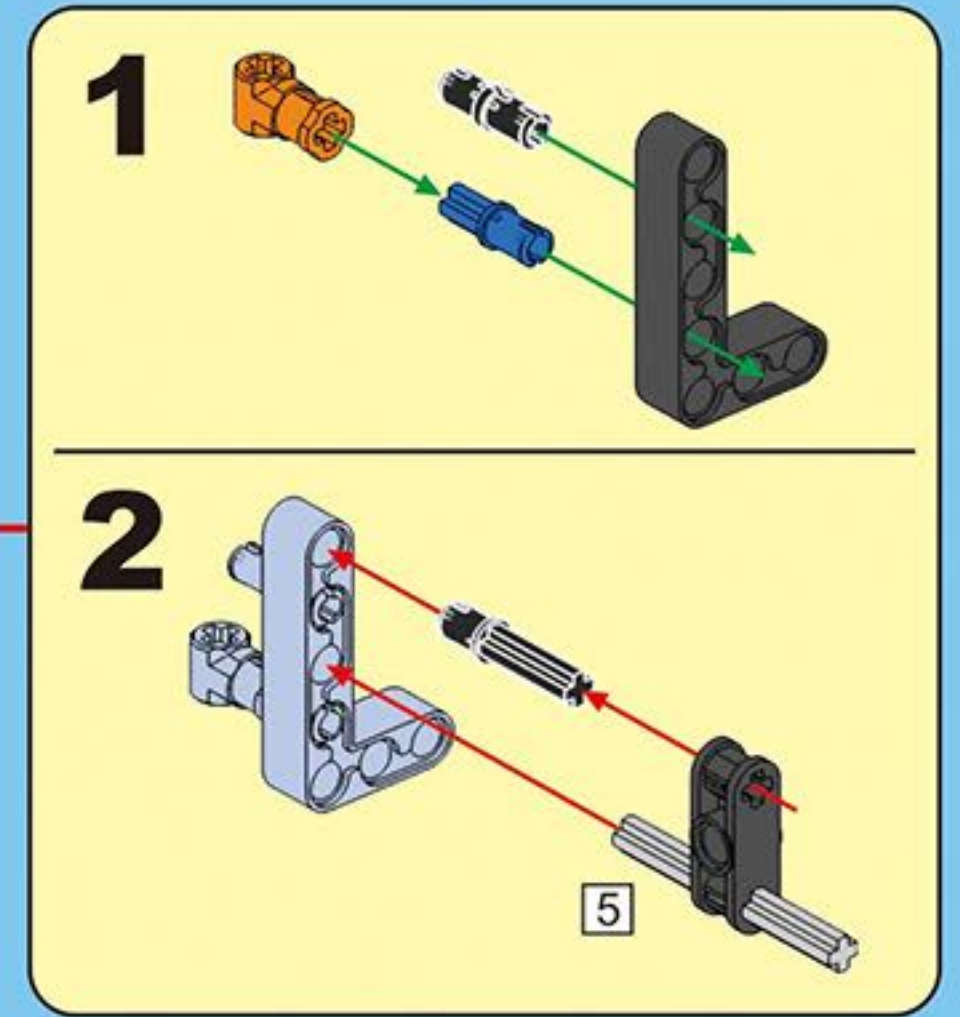
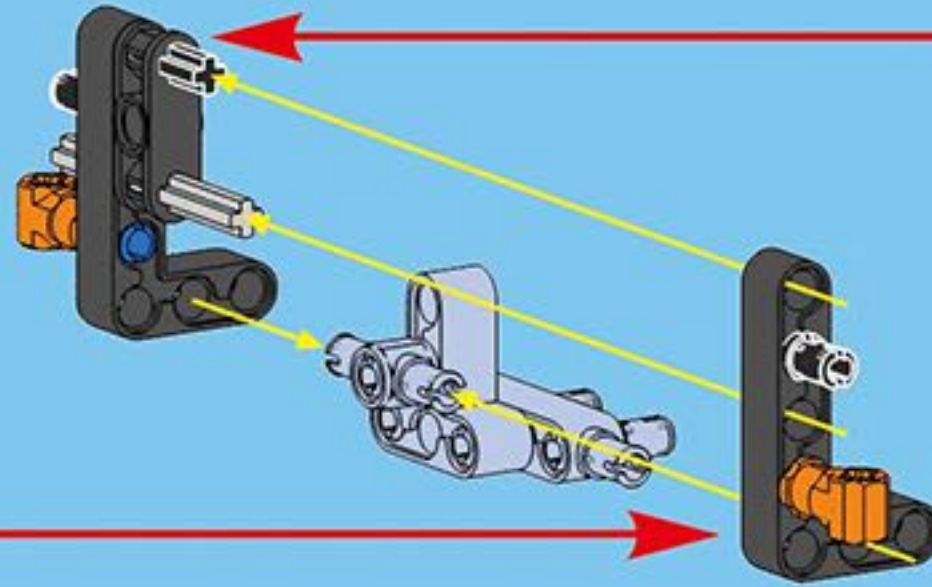
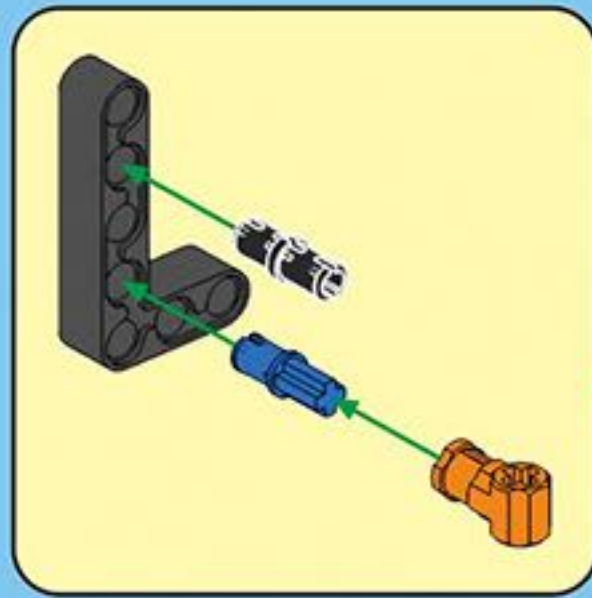


C15

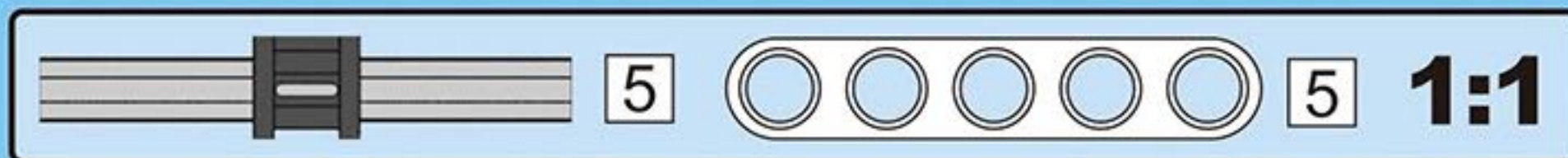
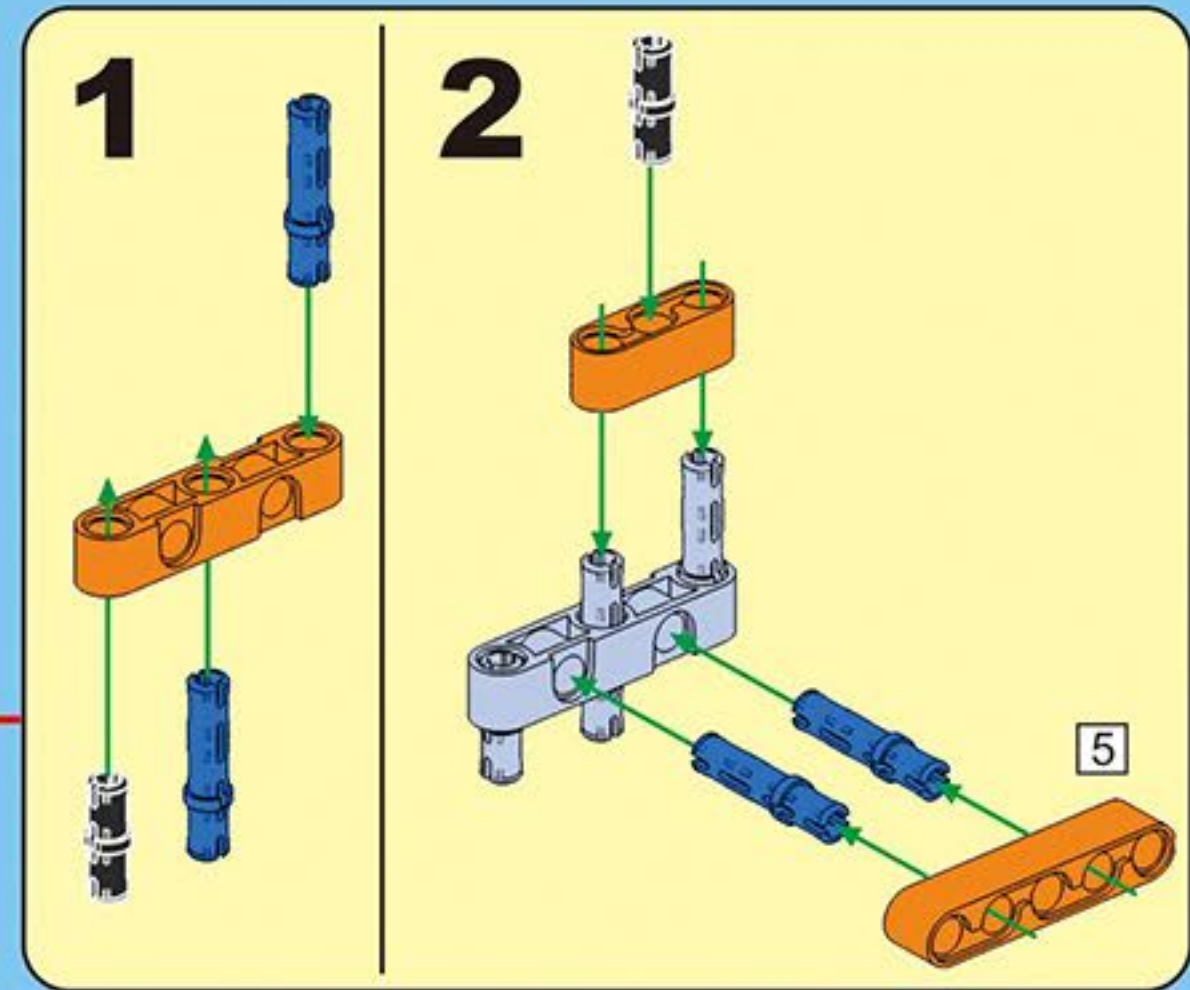
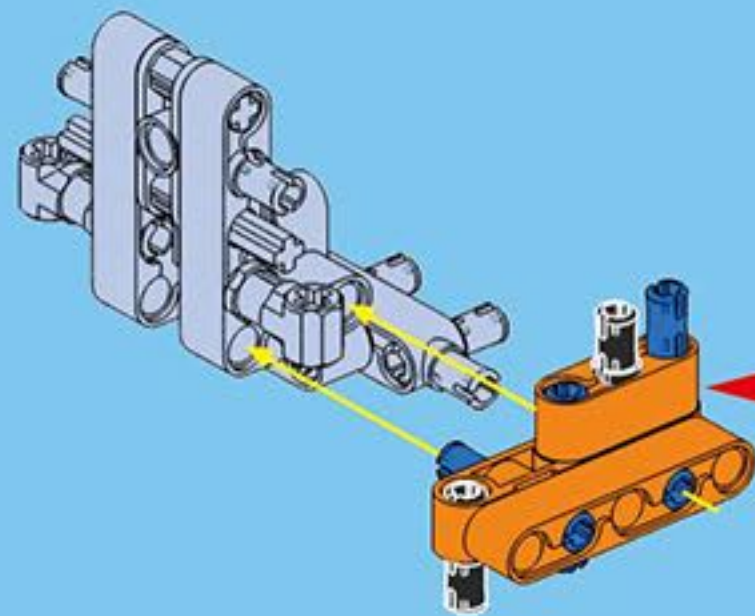


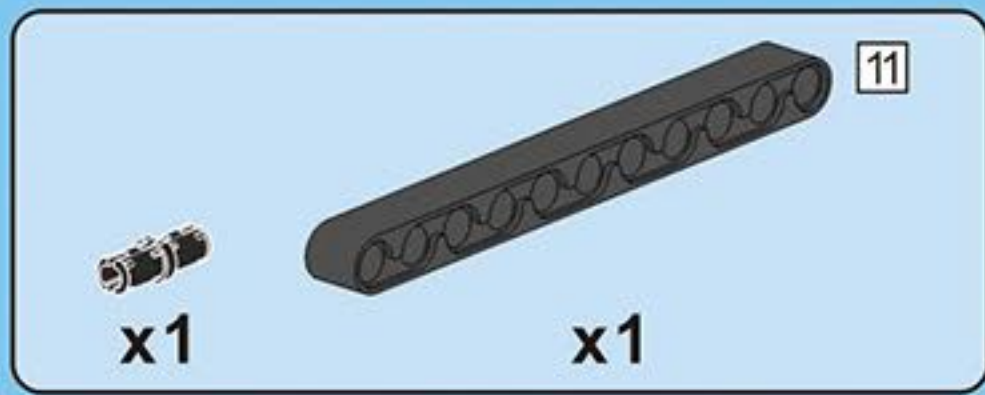


C16

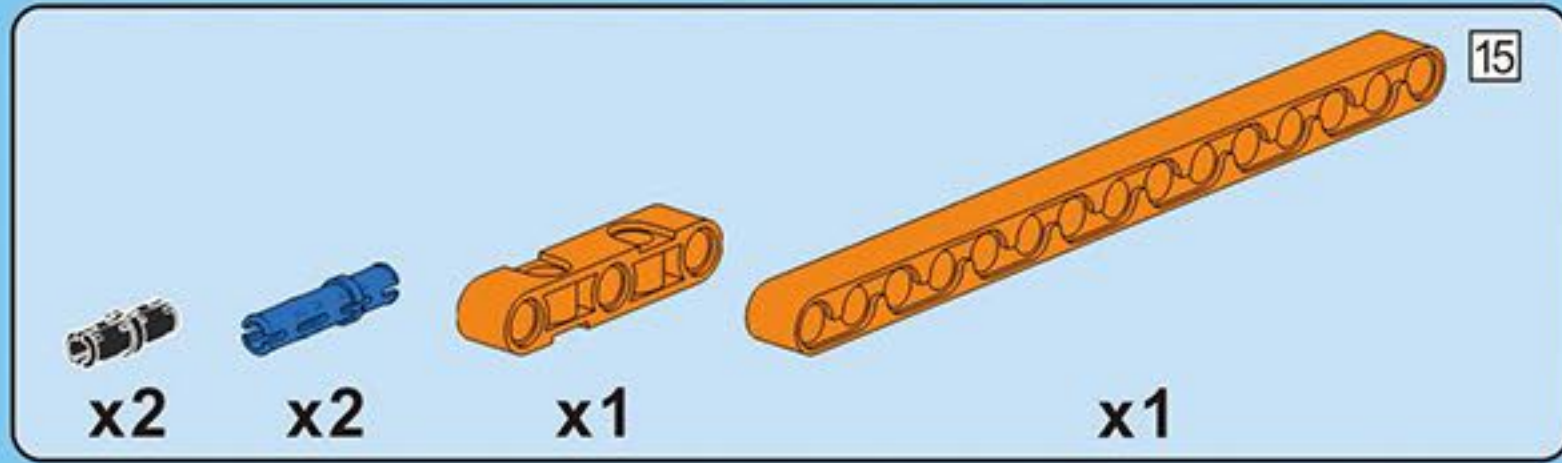
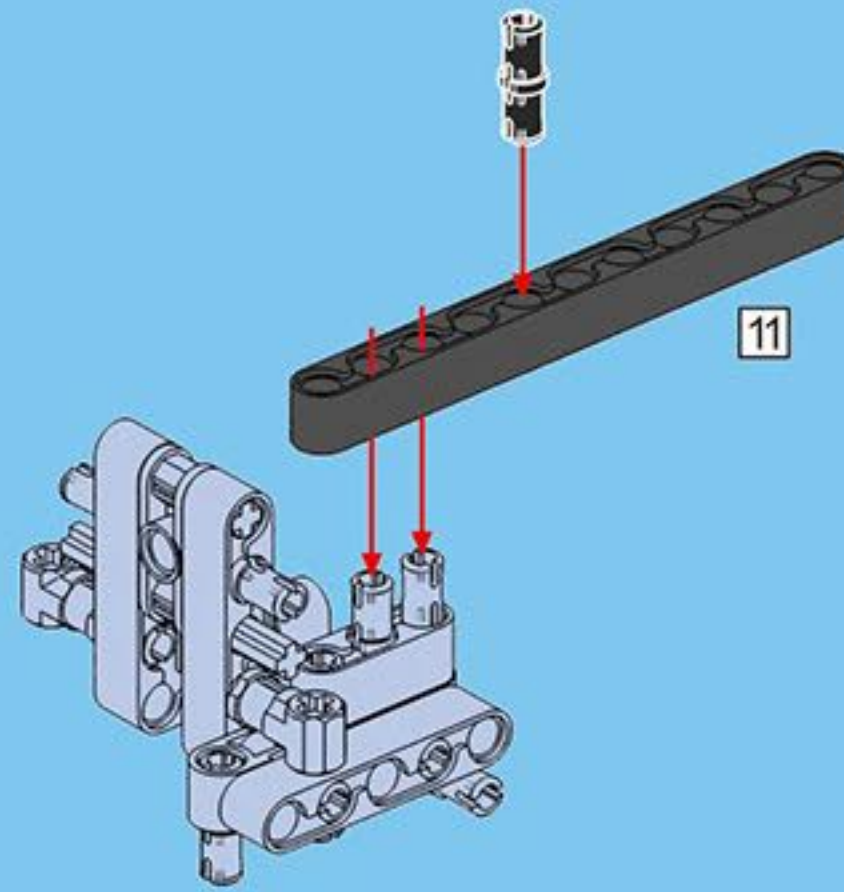


C17

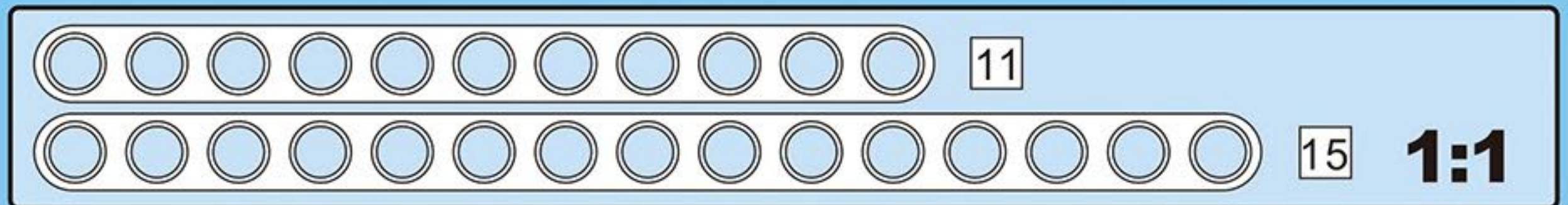
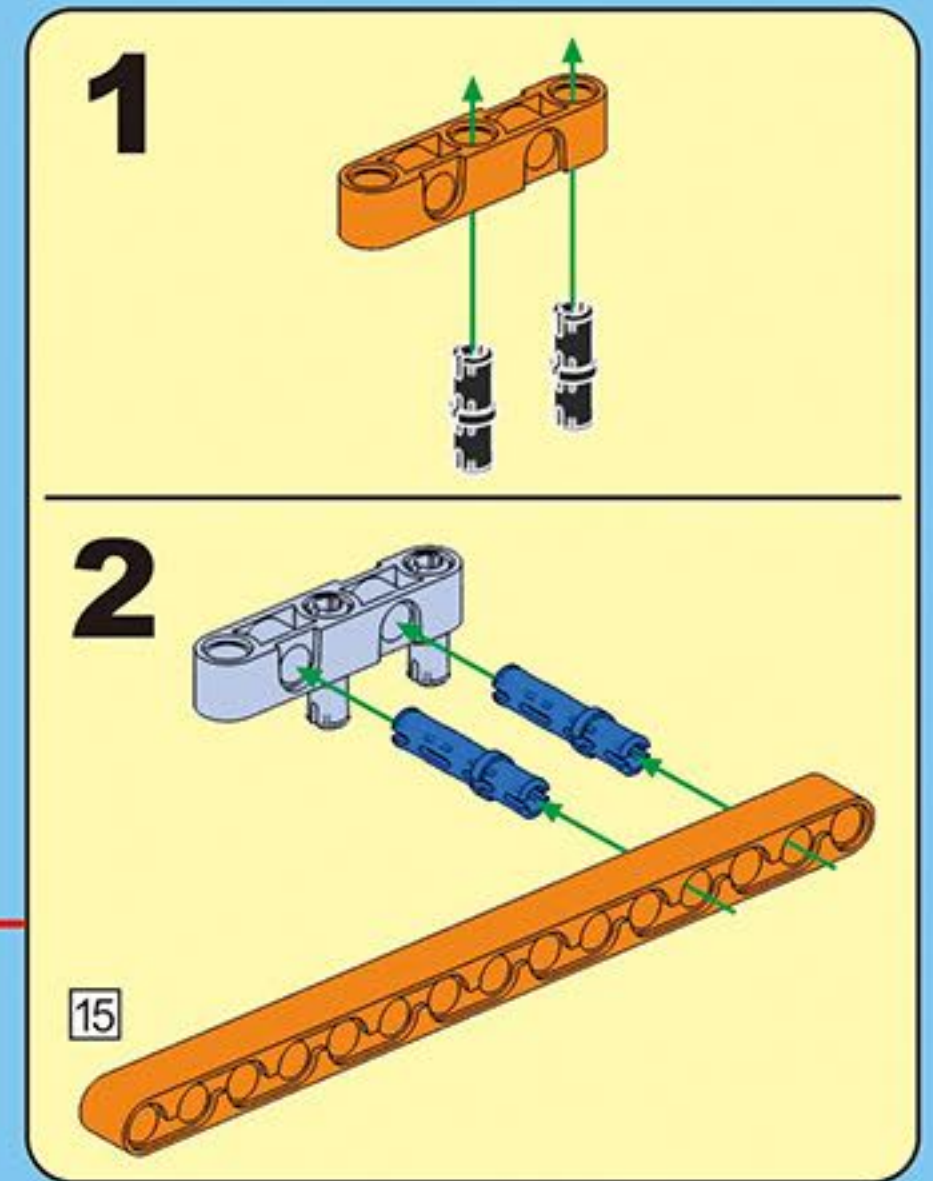
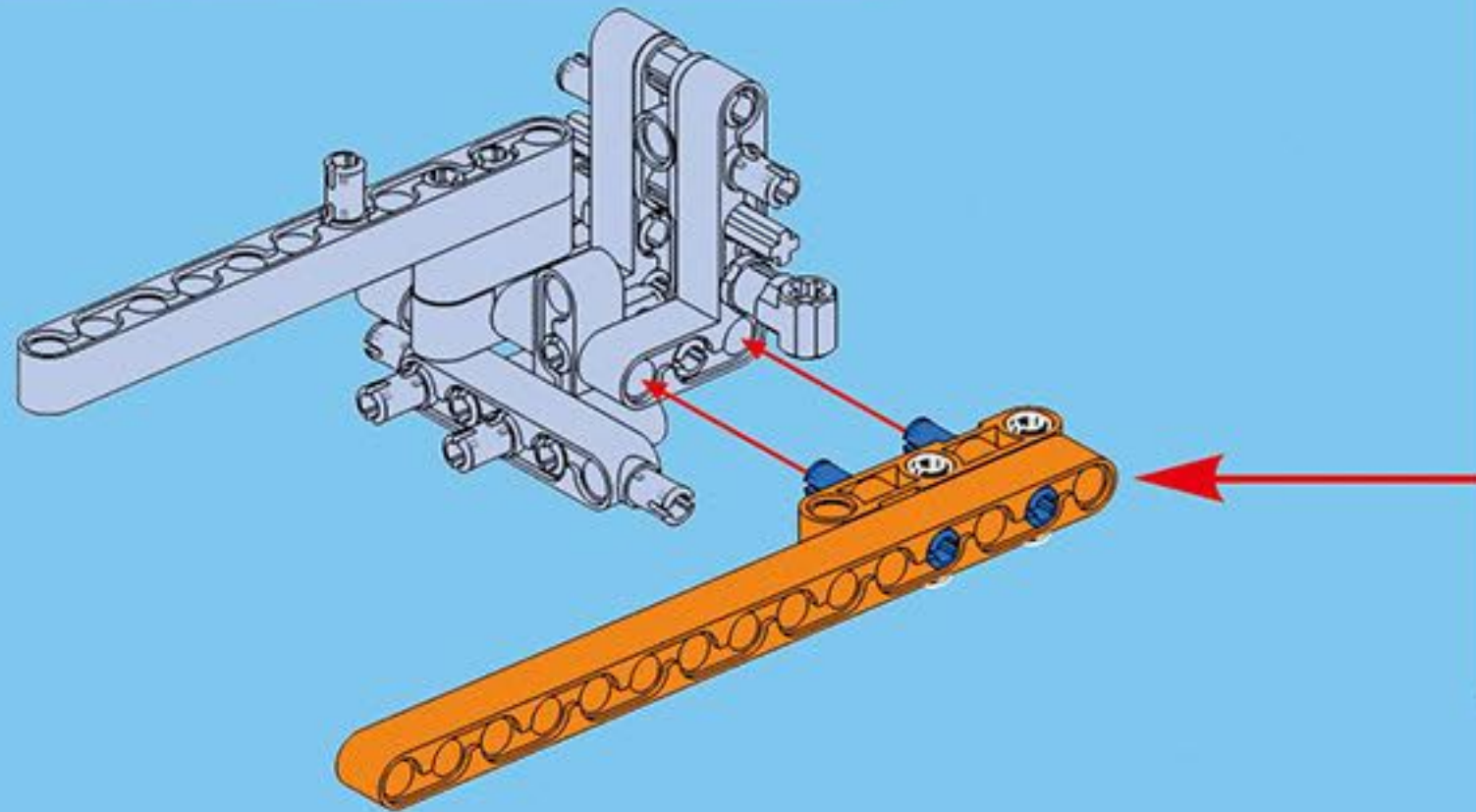


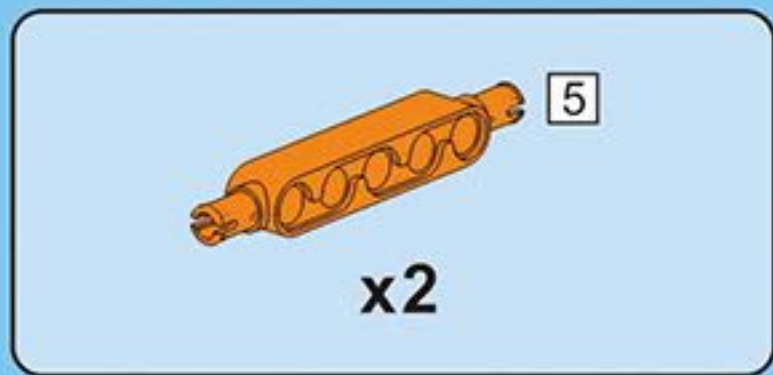


C18

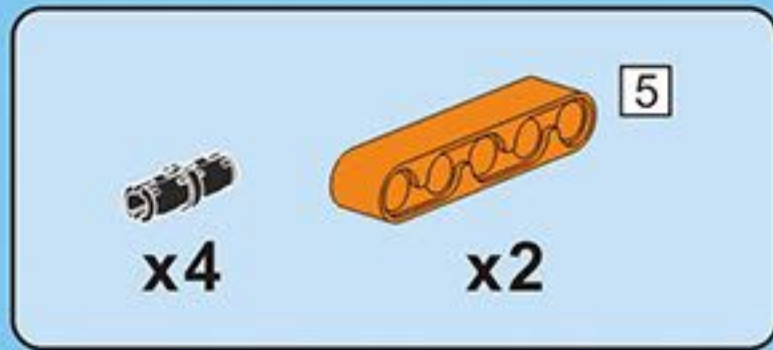
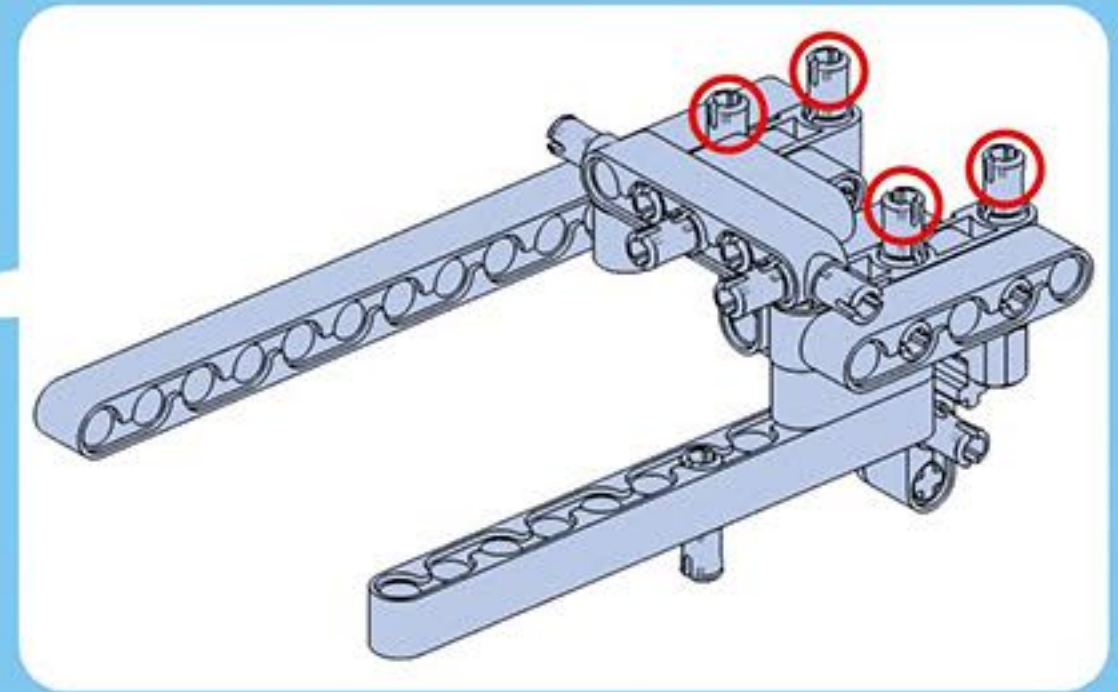
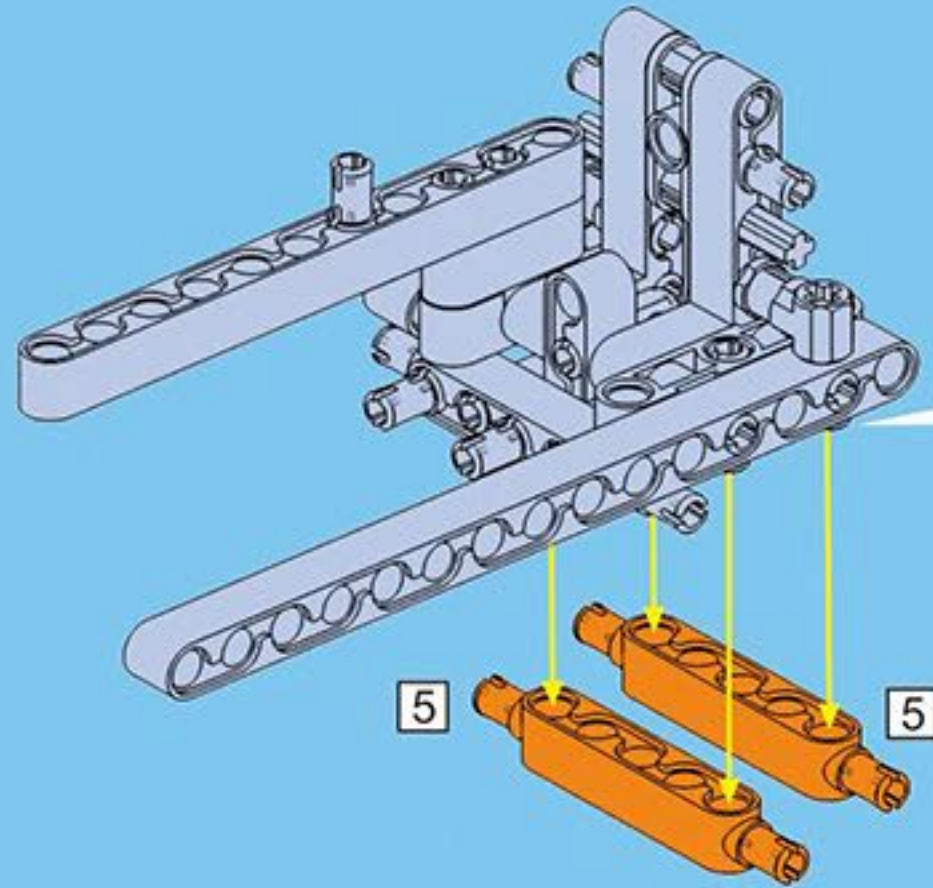


C19

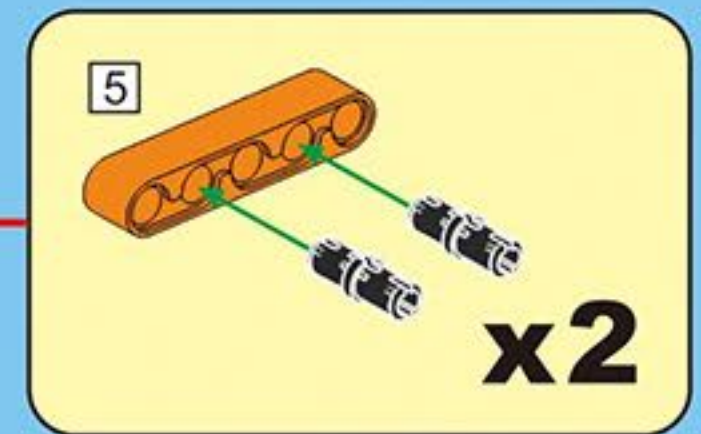
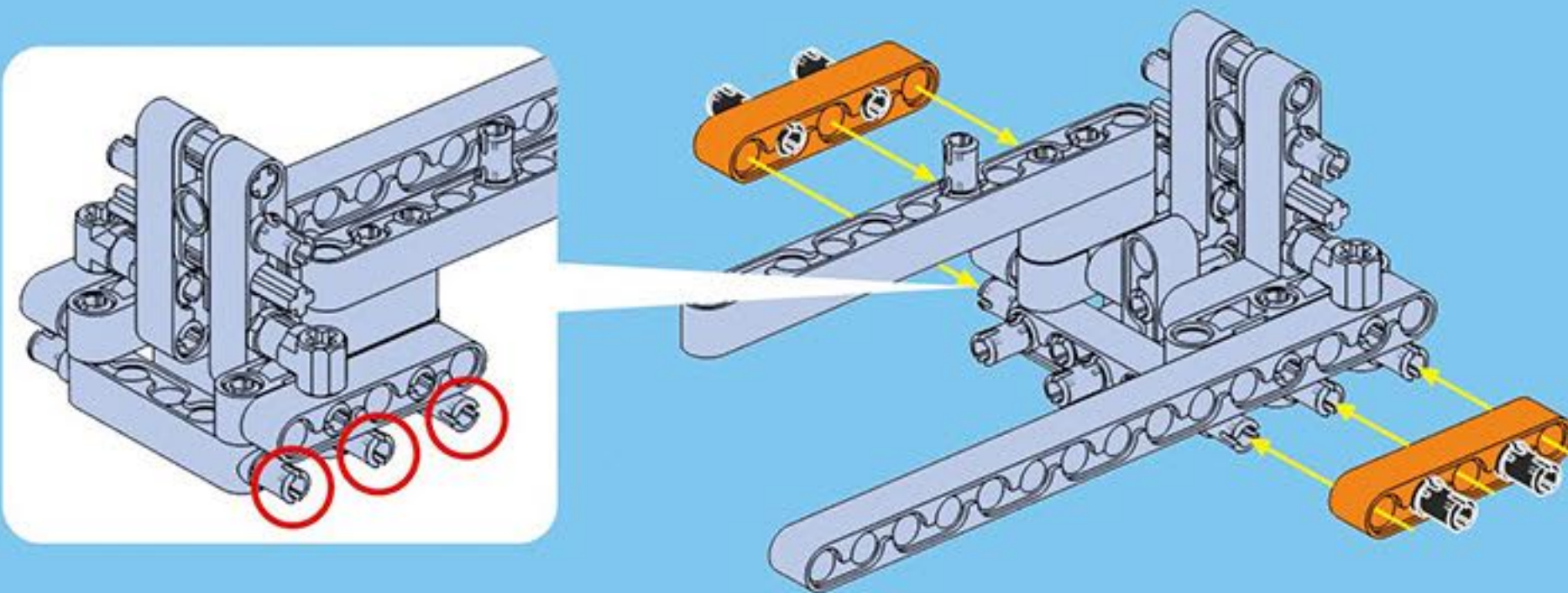




C20

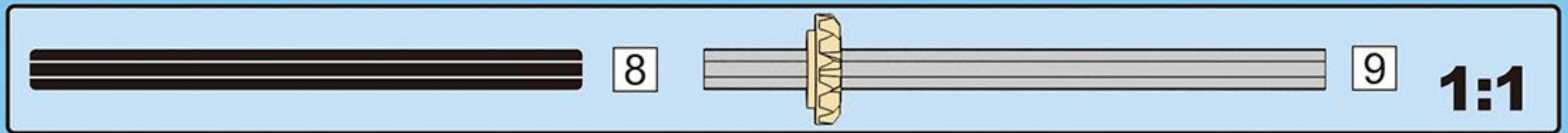
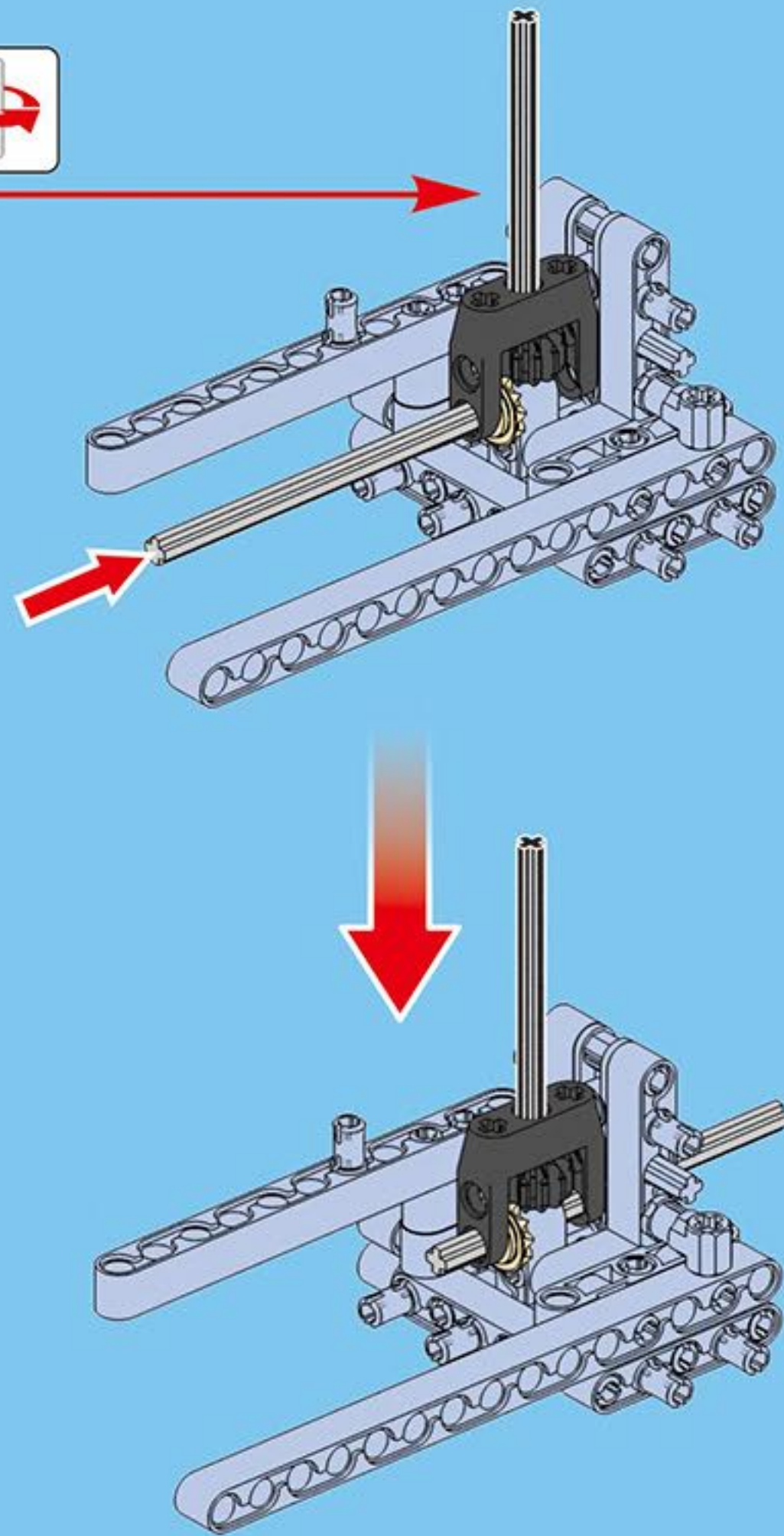
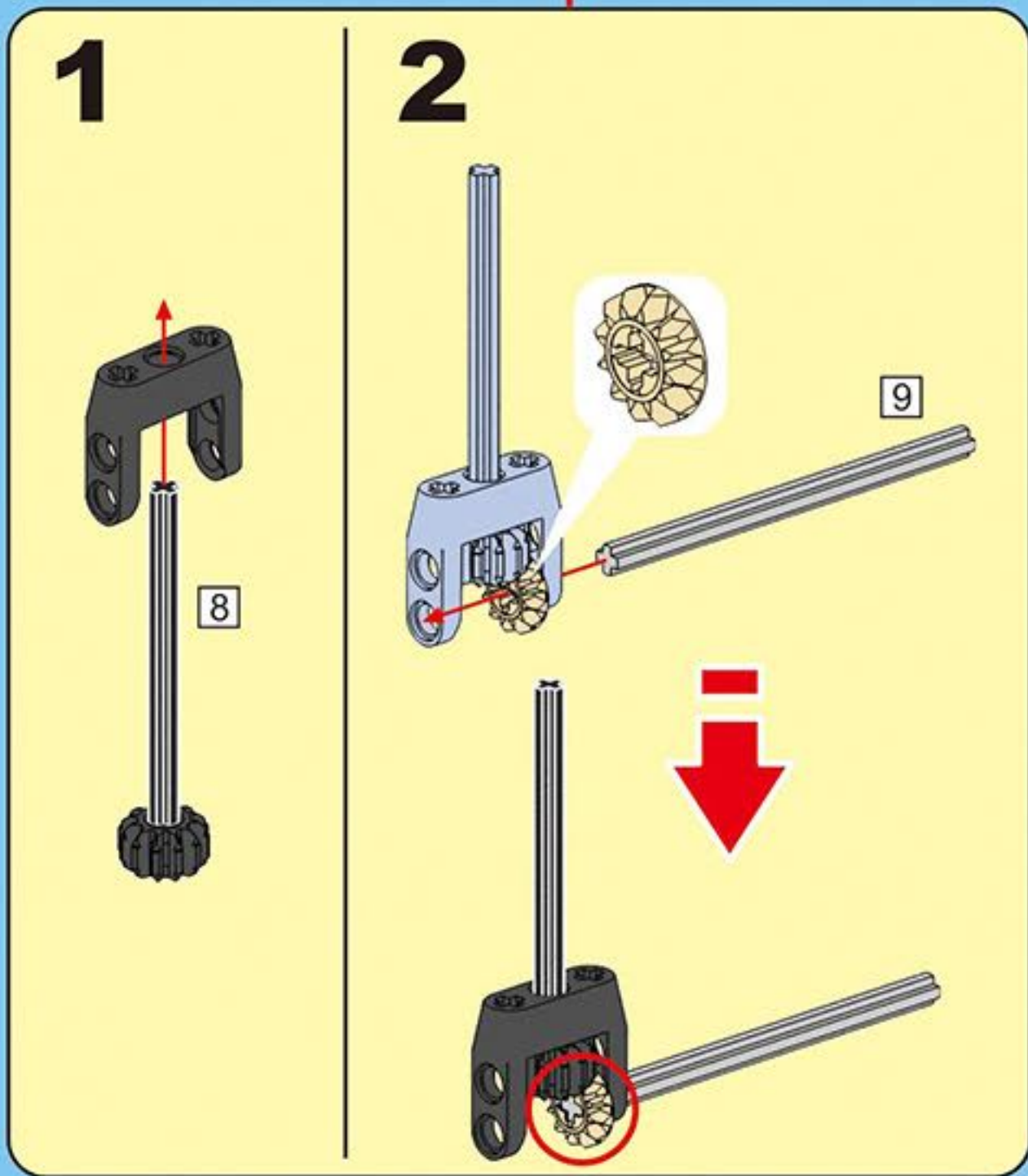


C21

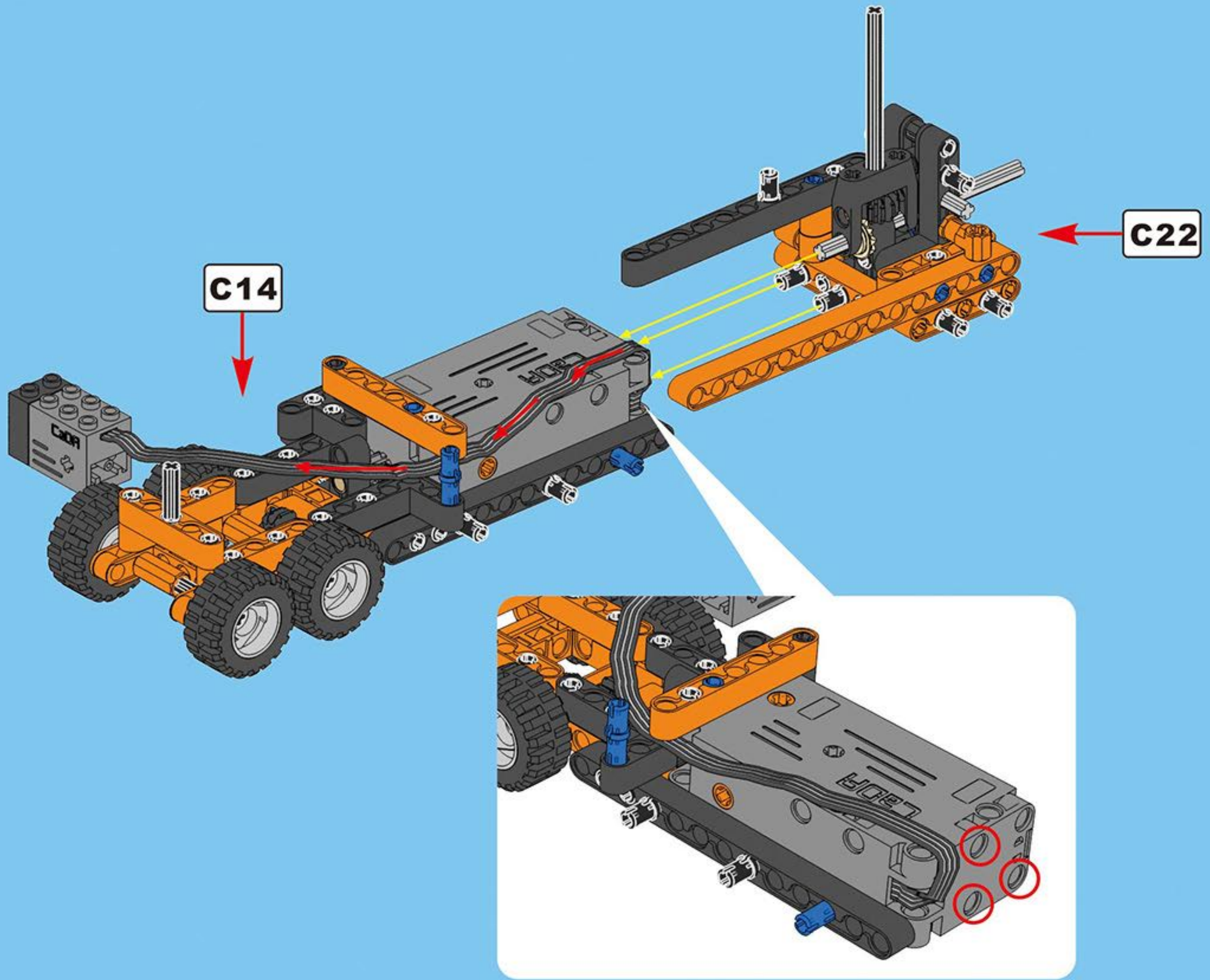


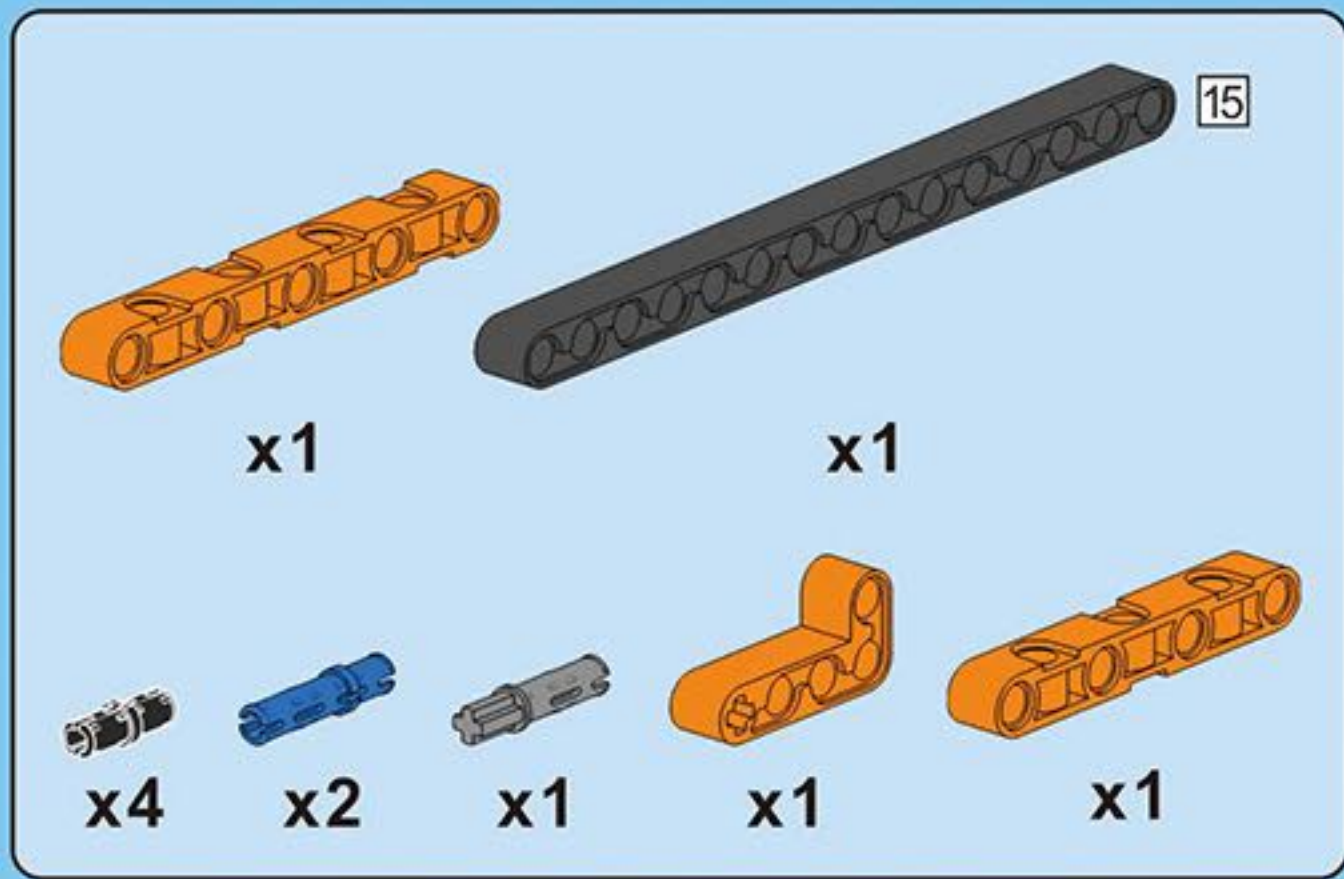


C22

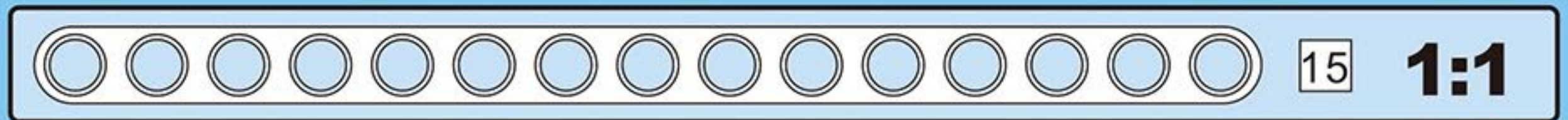
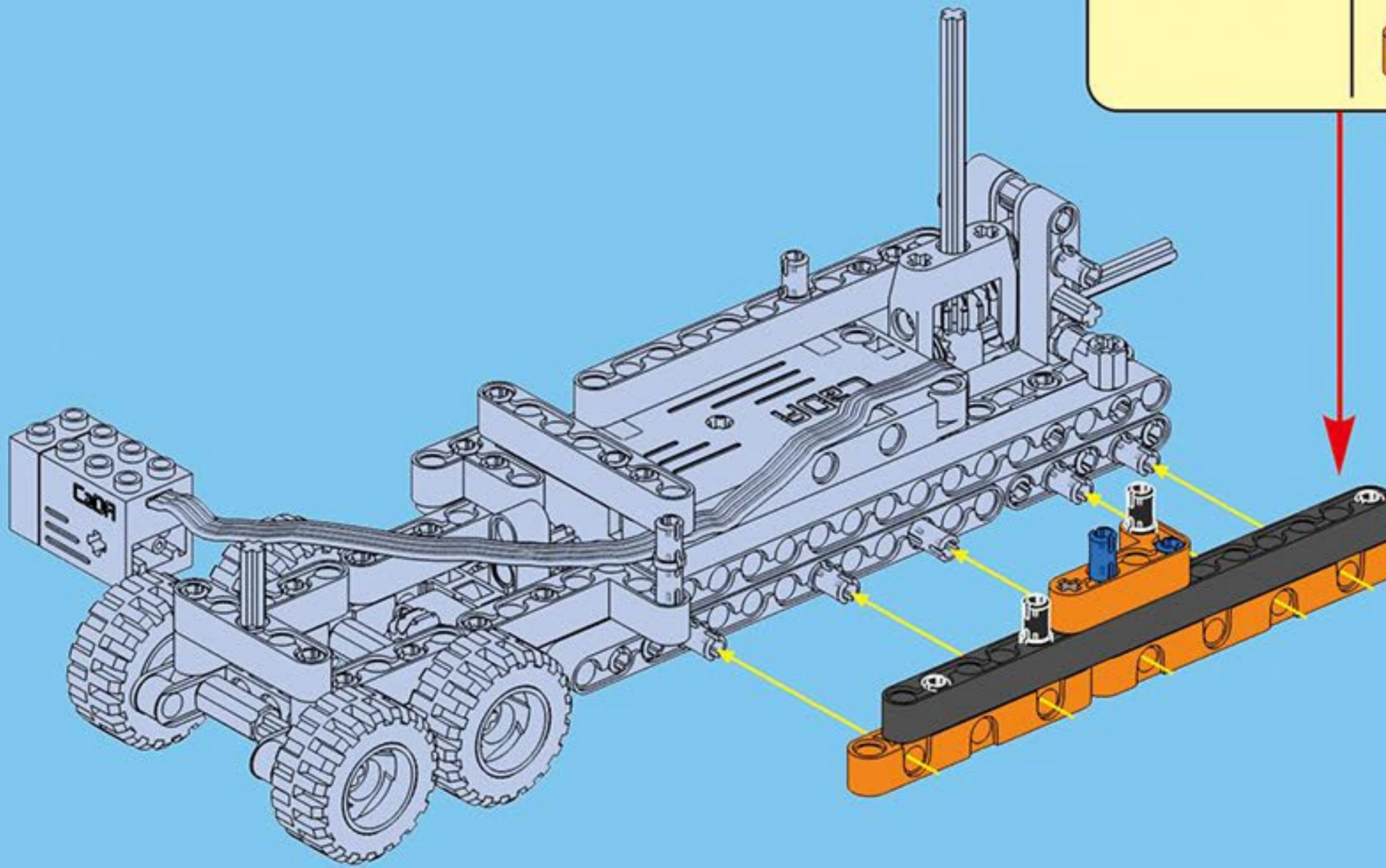
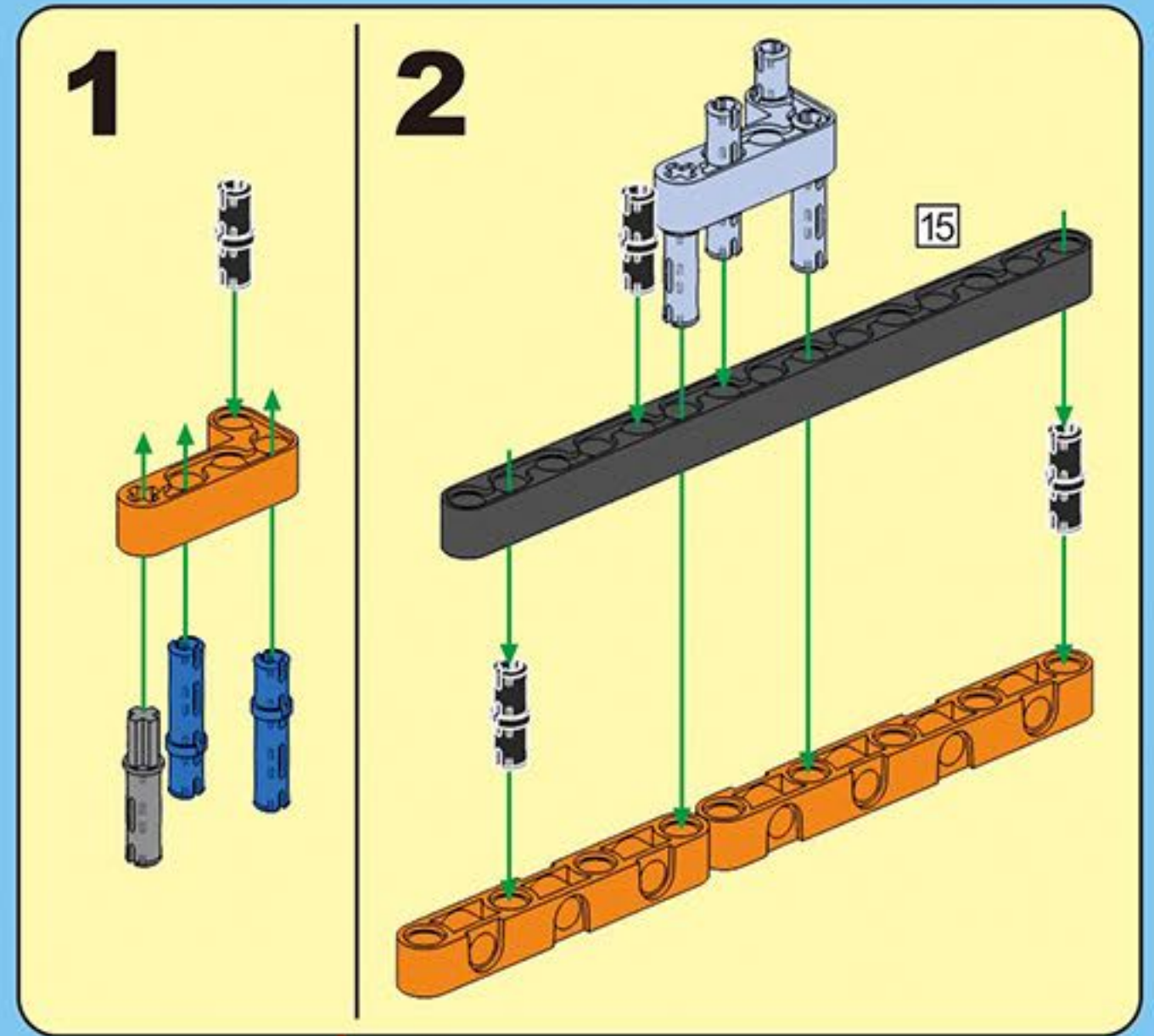


C23

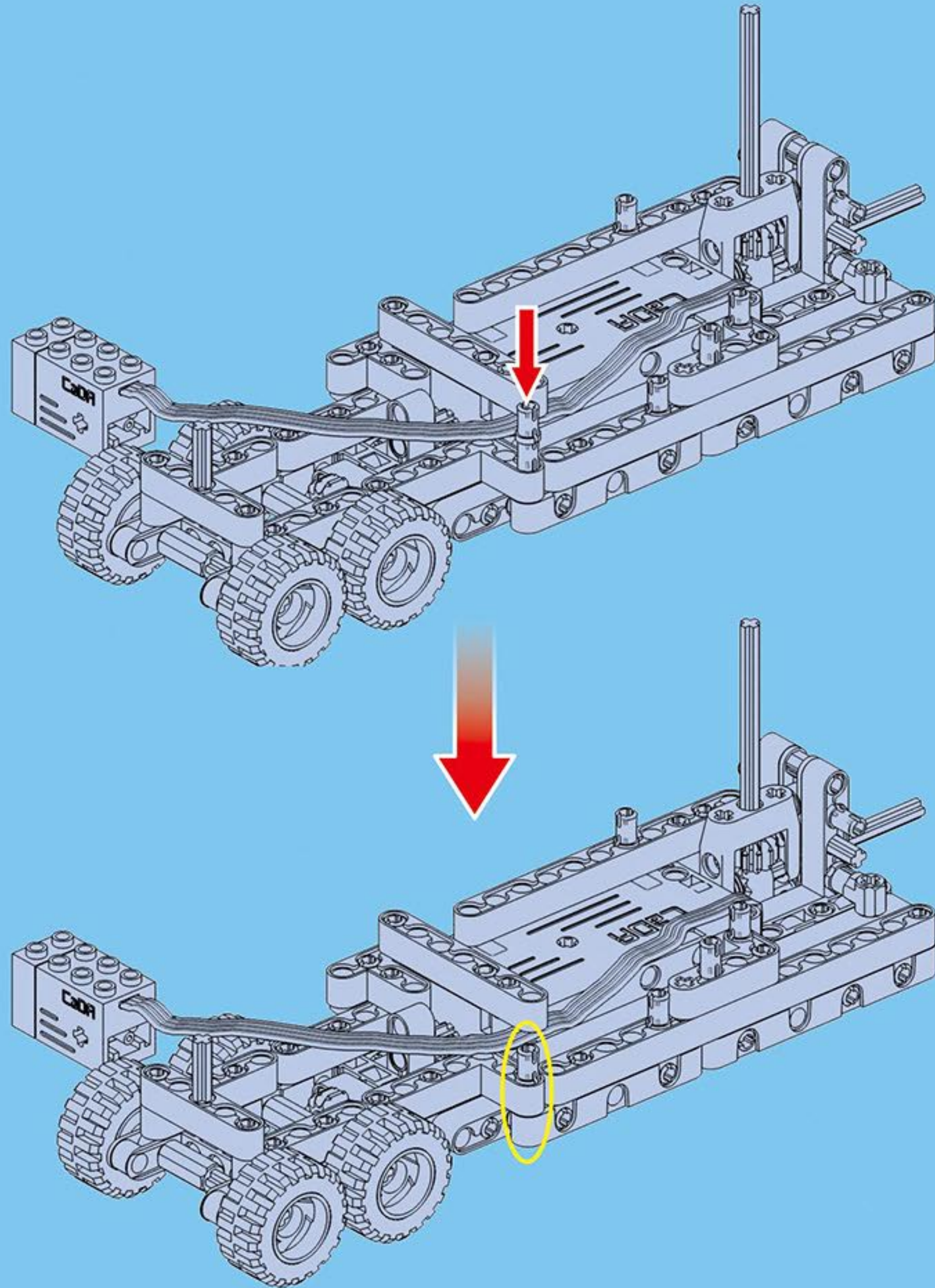


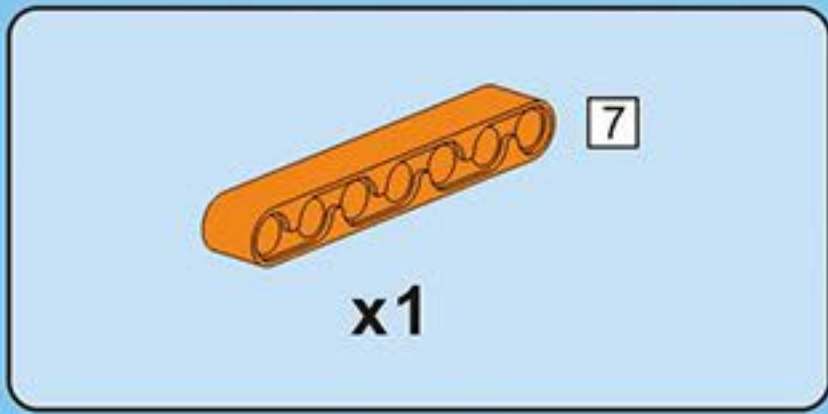


C24

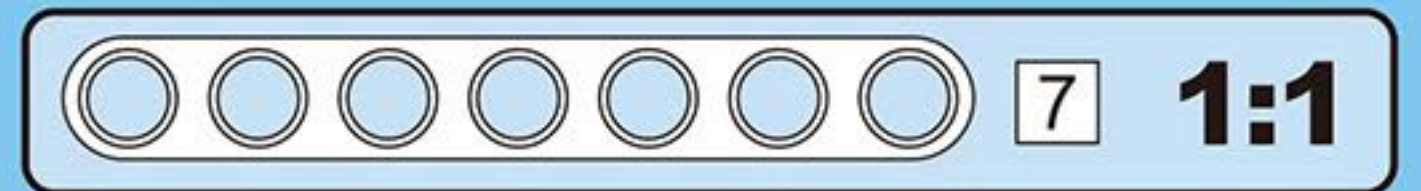
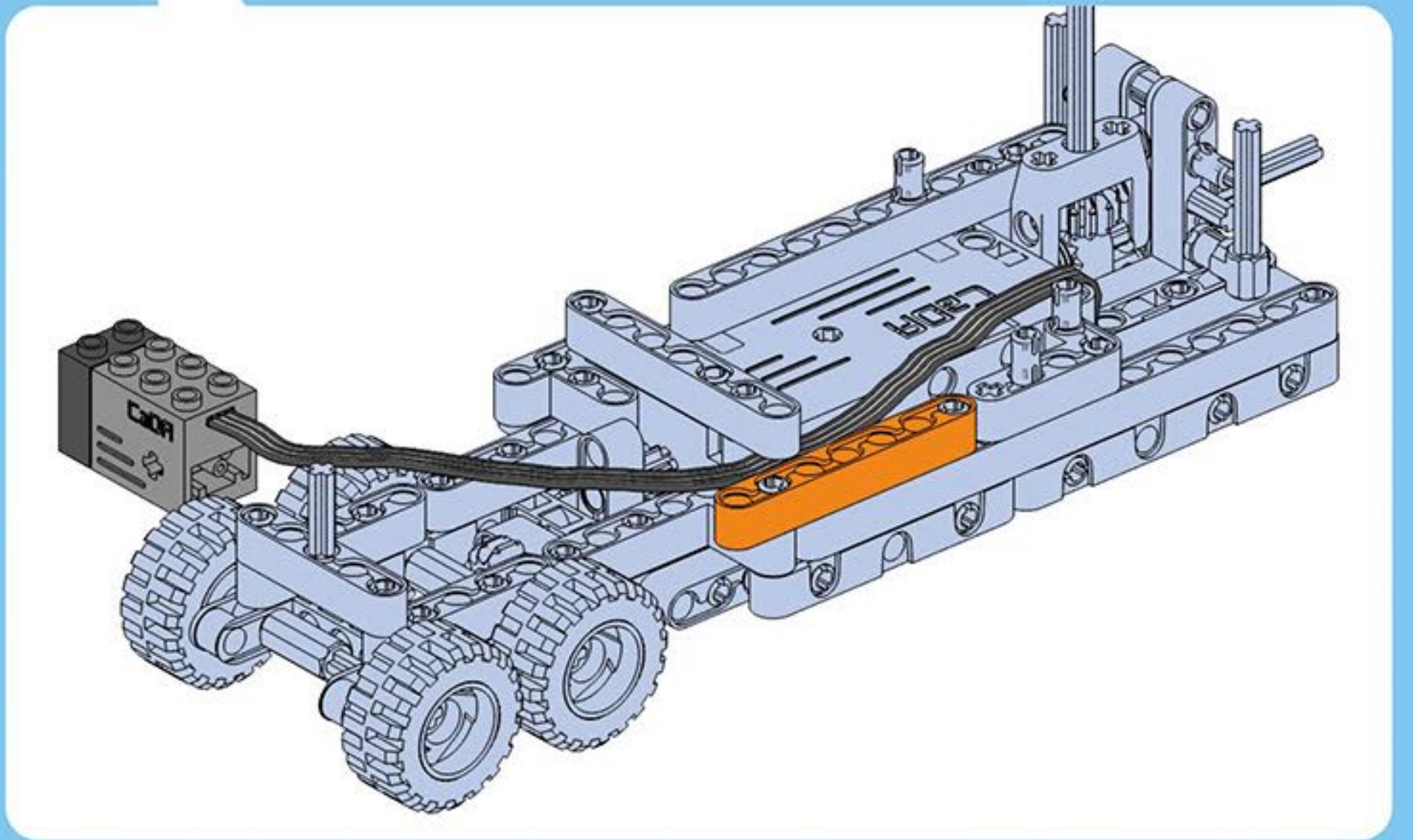
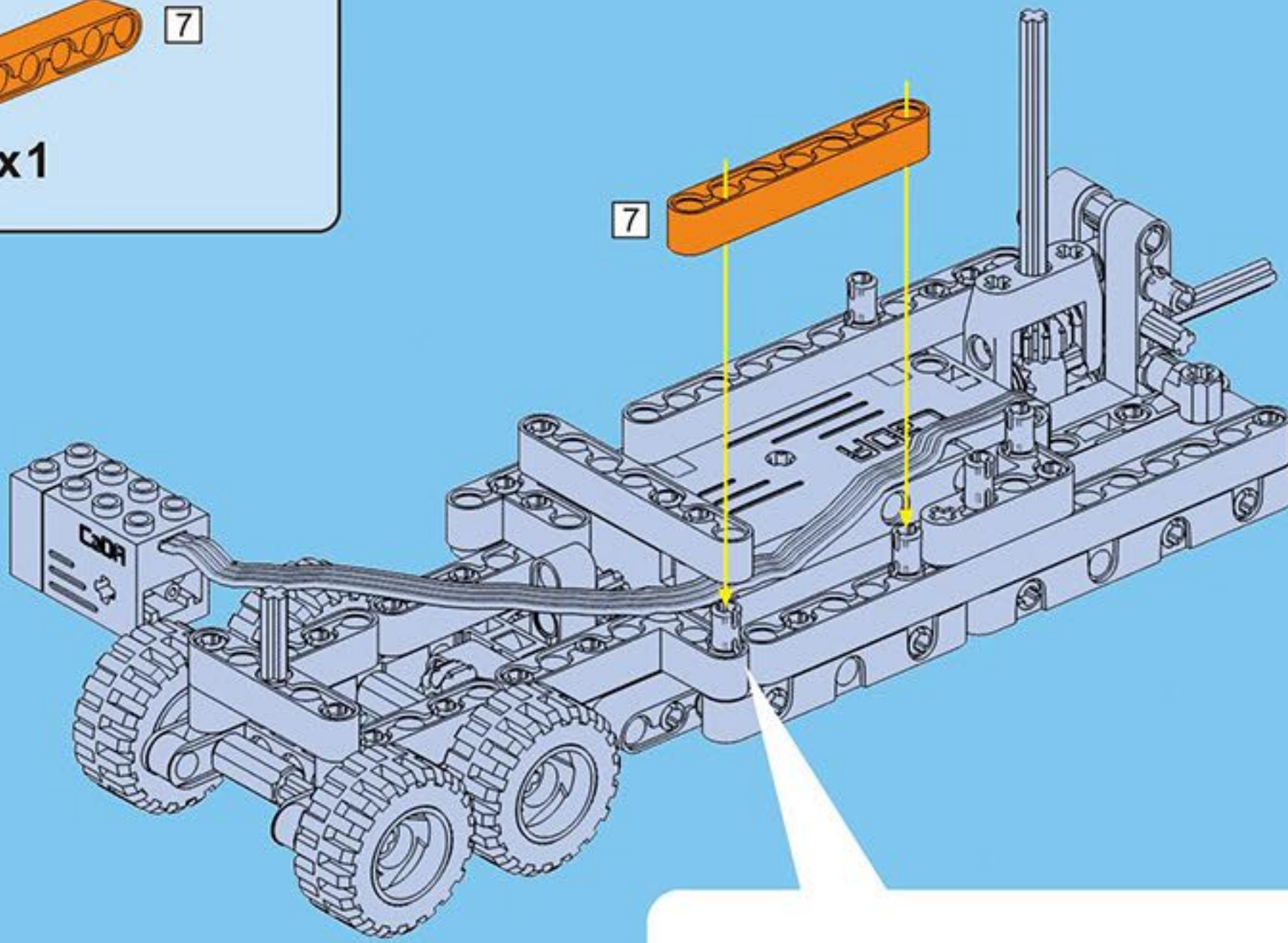


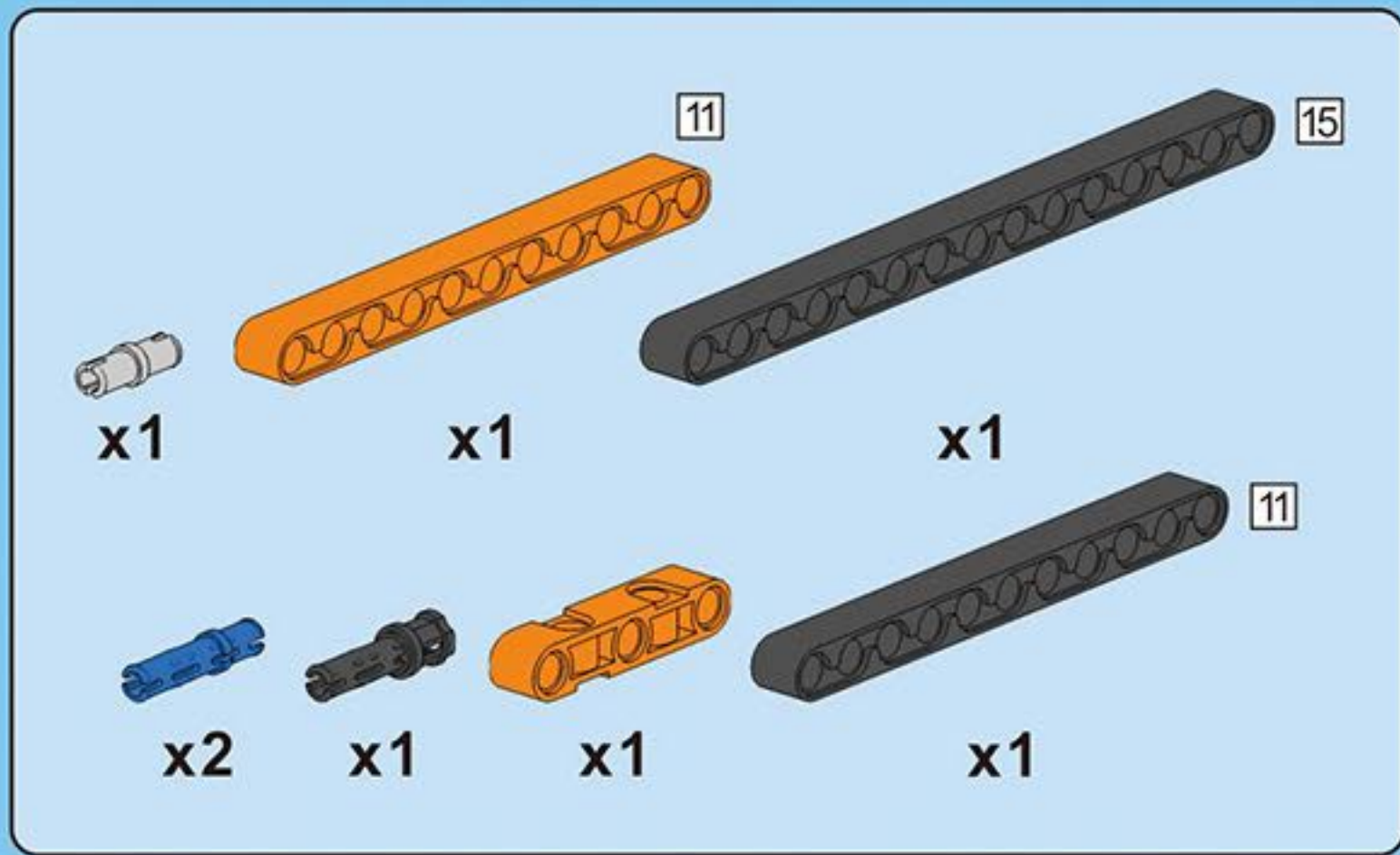
C25



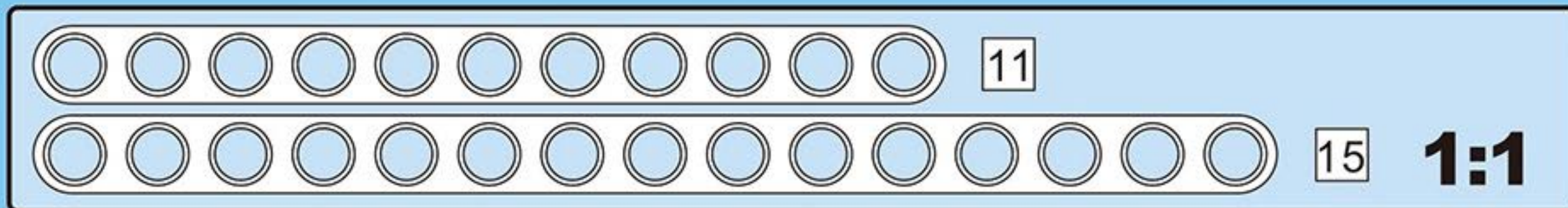
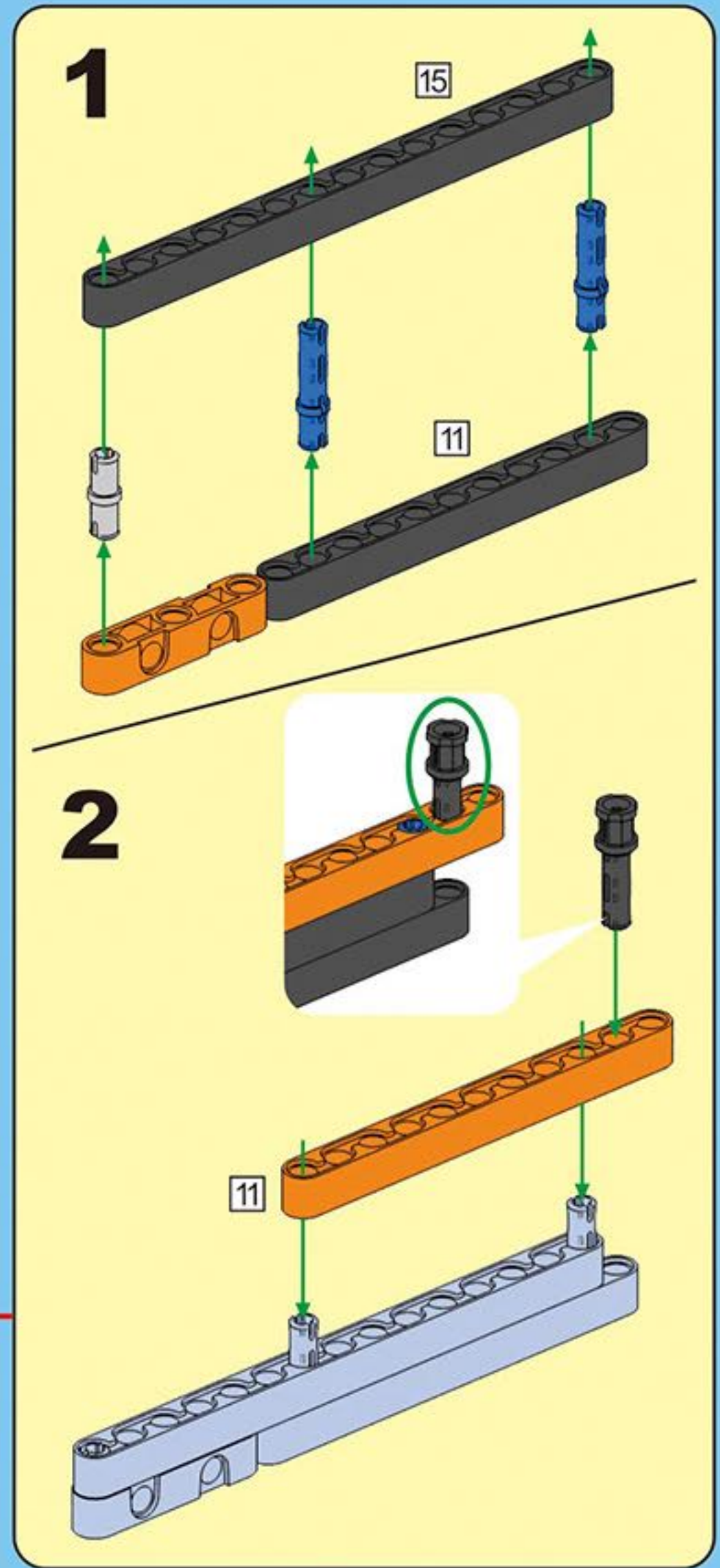
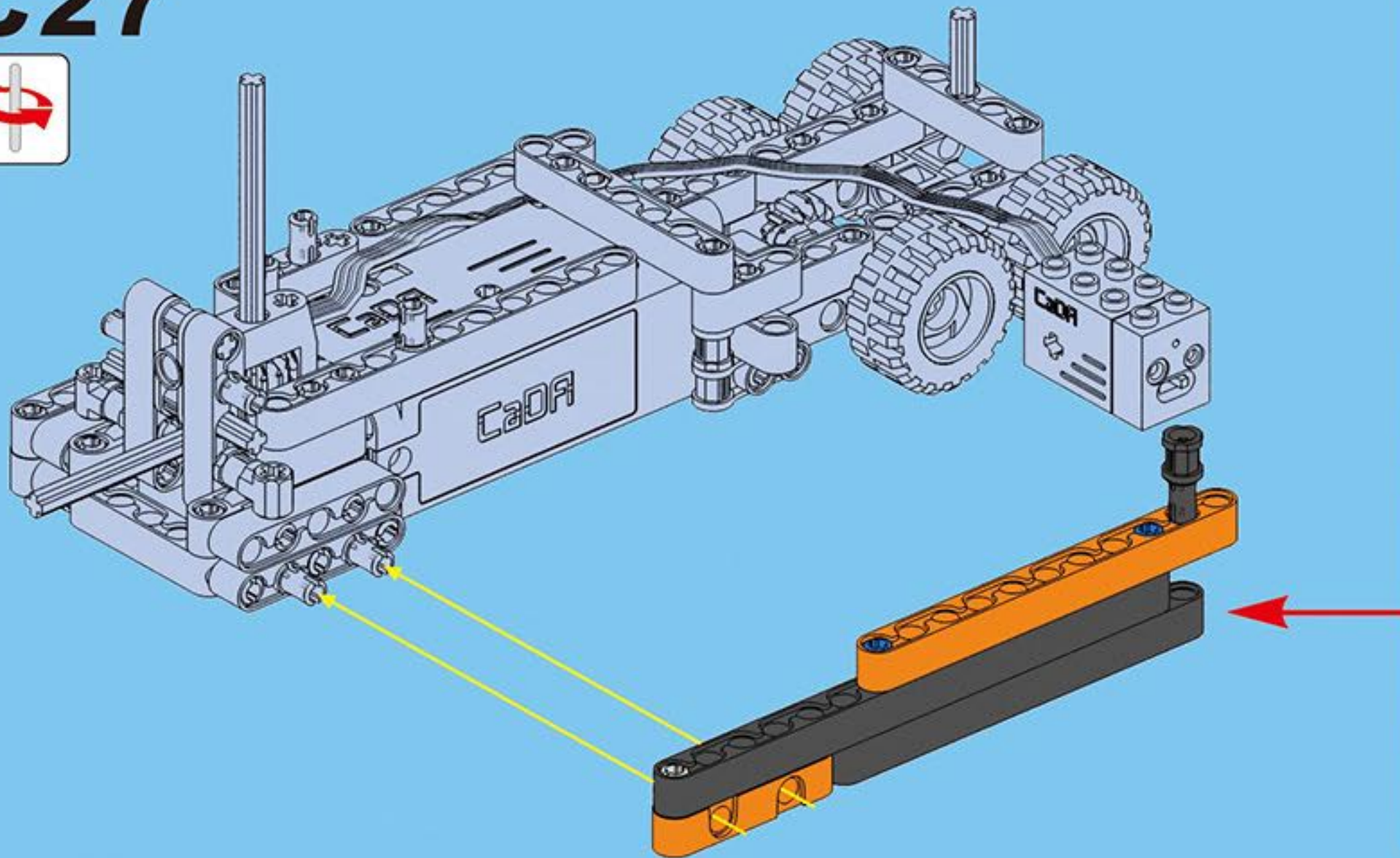


C26

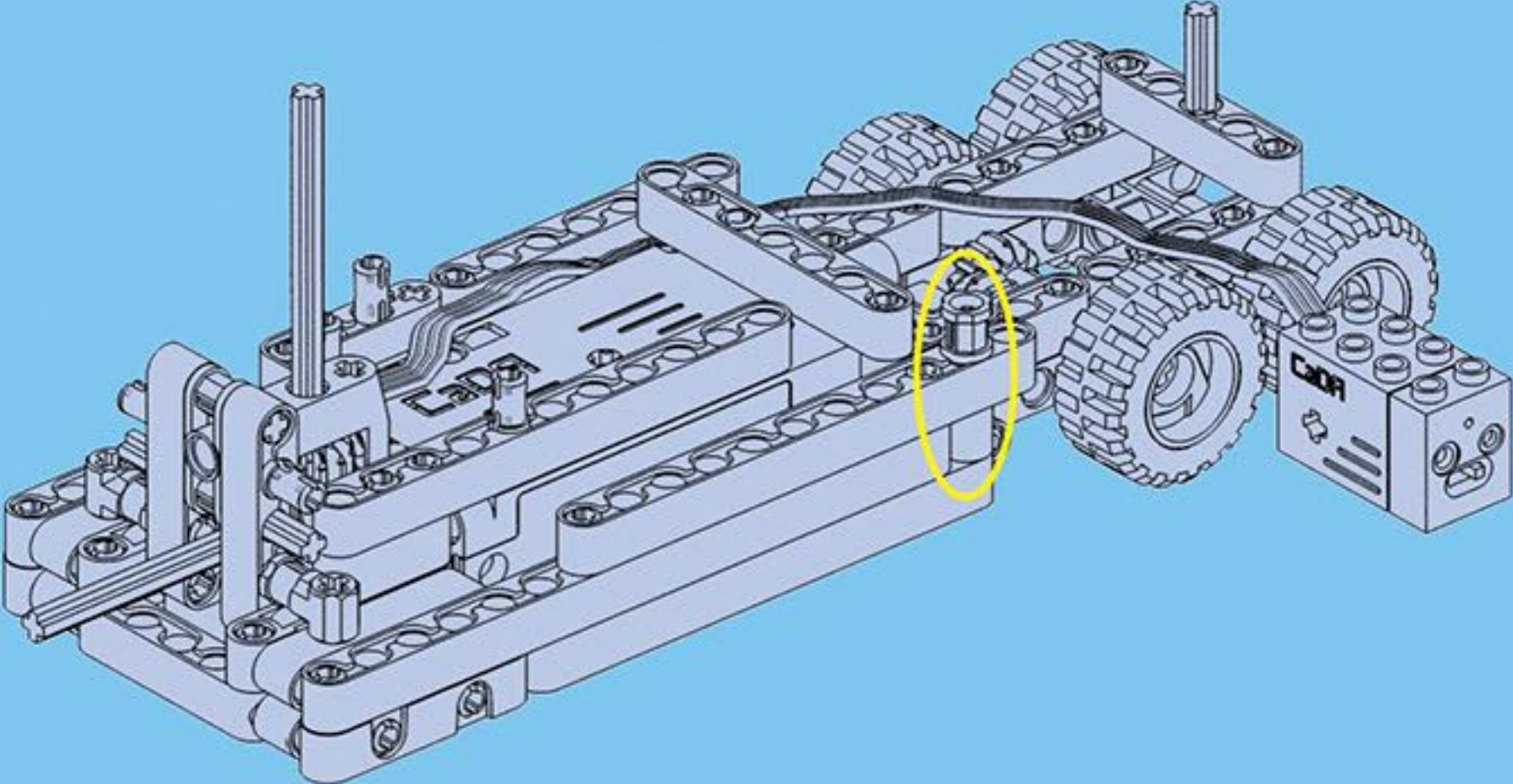
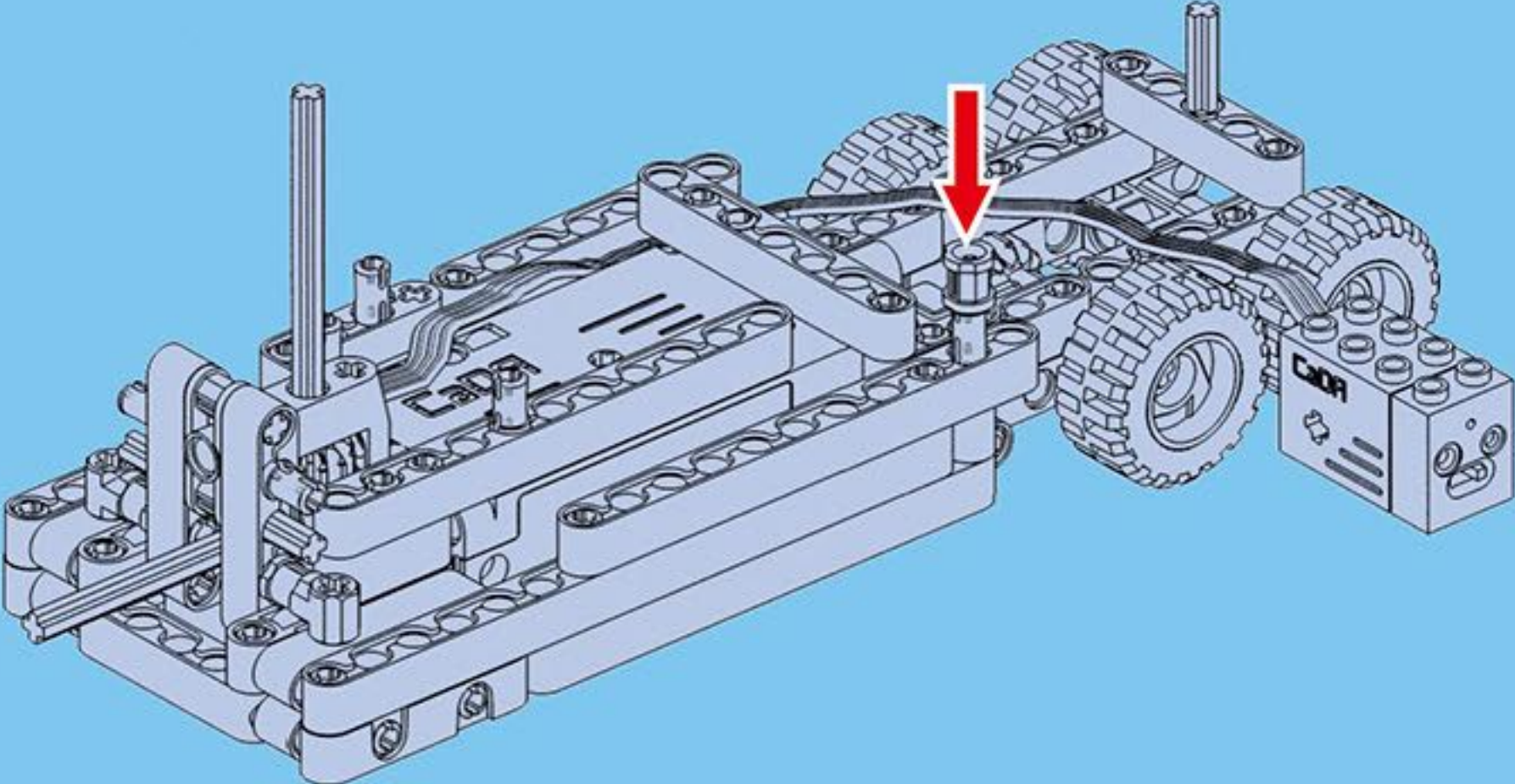


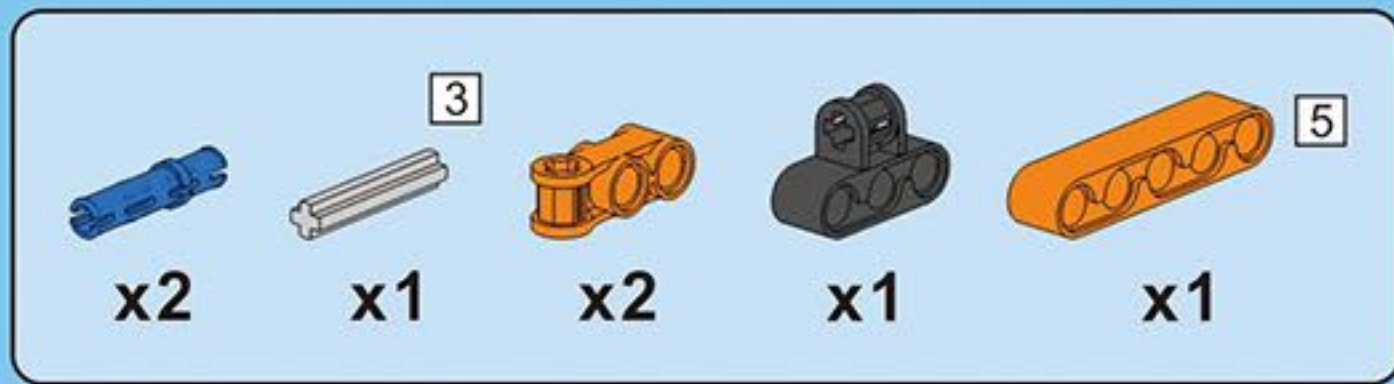


C27

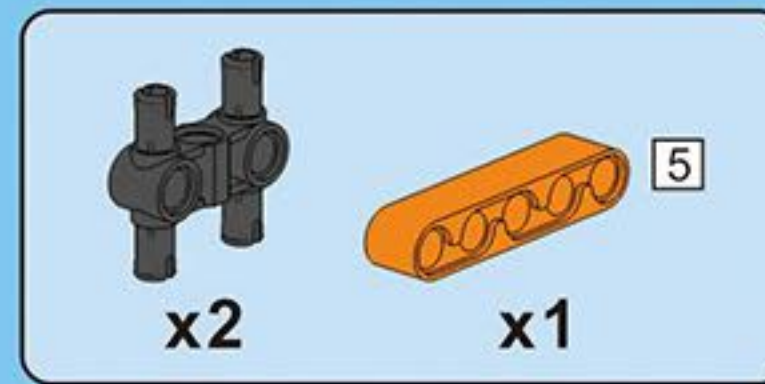
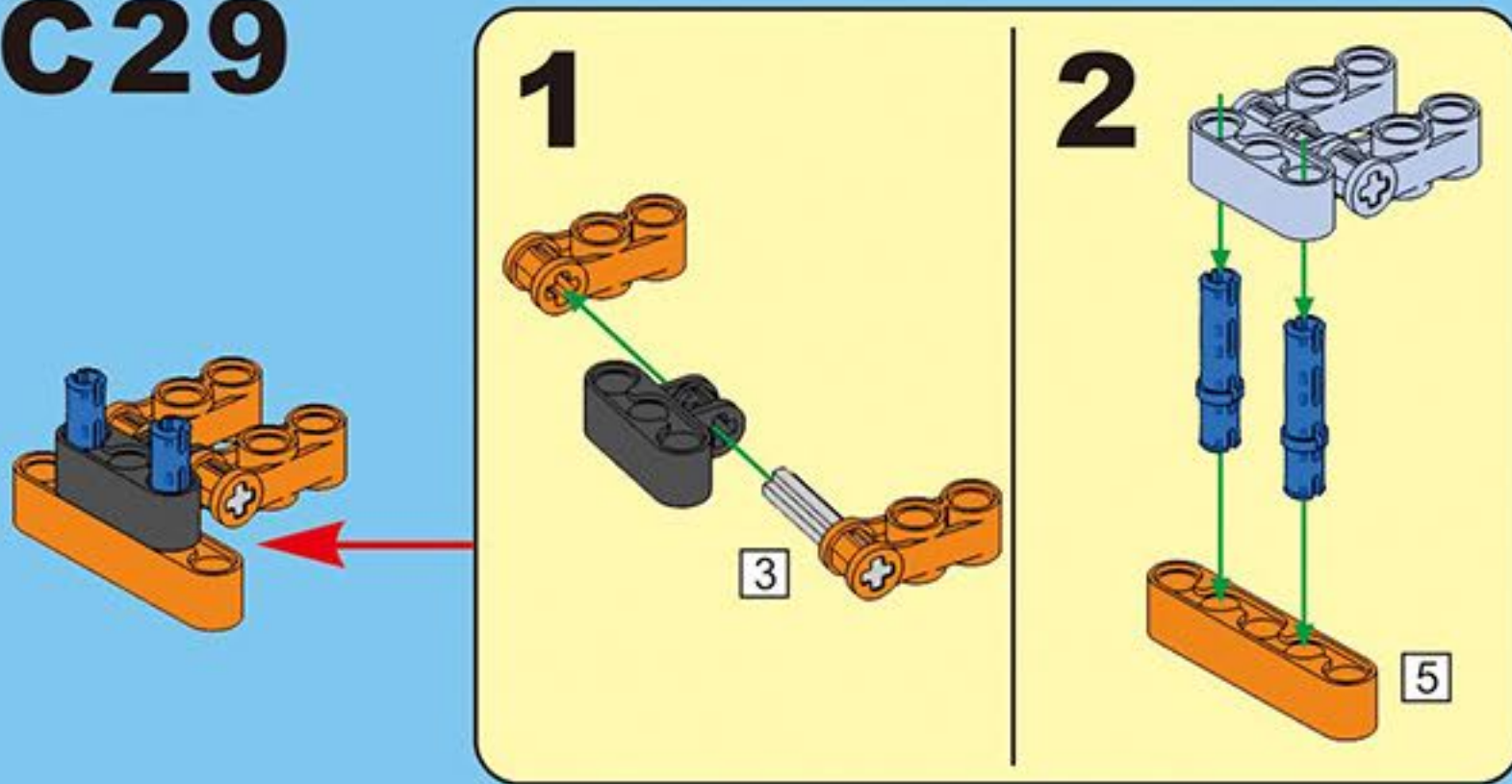


C28

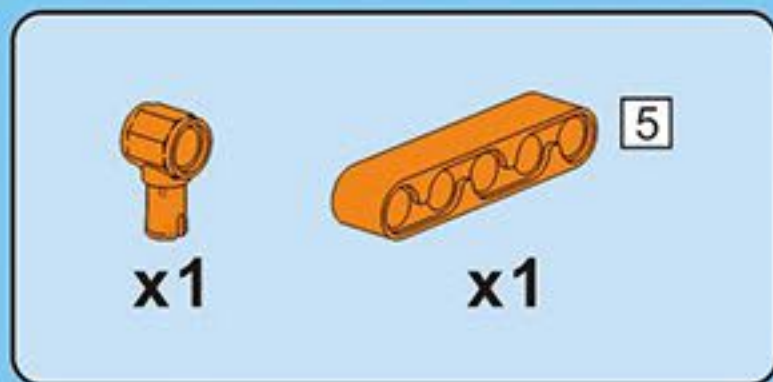
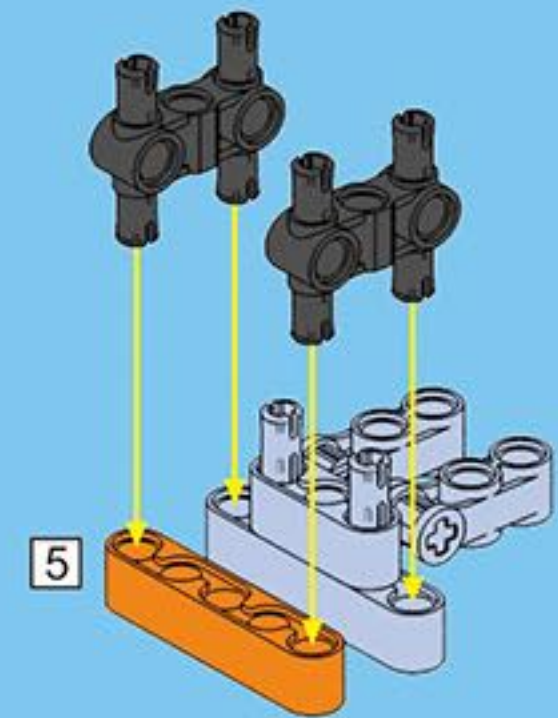




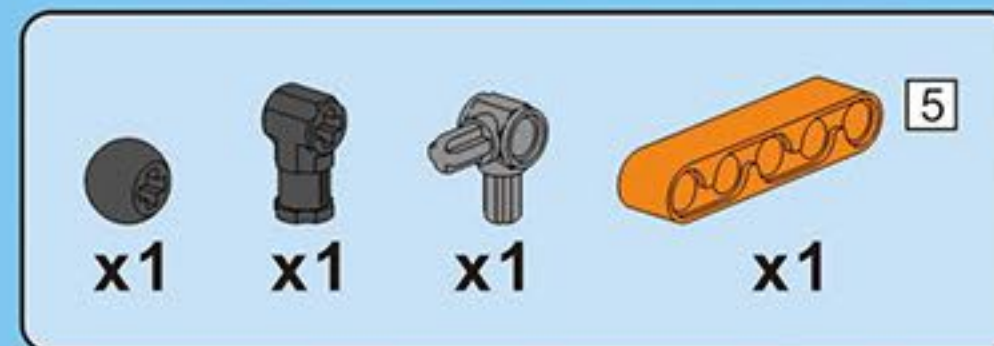
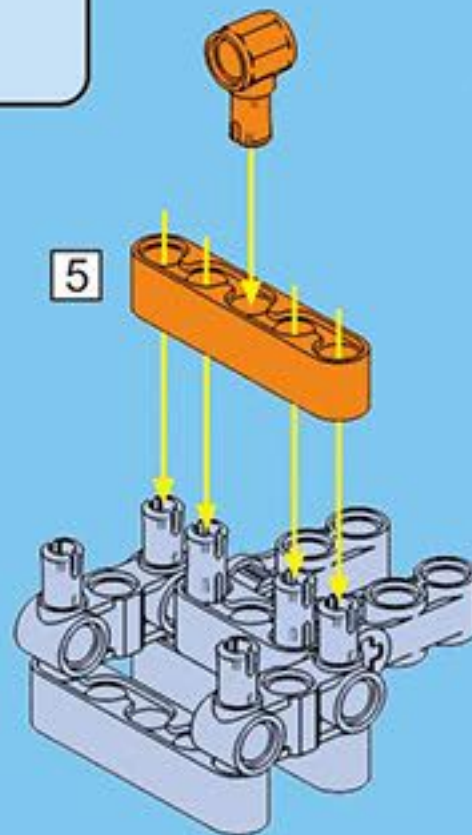
C29



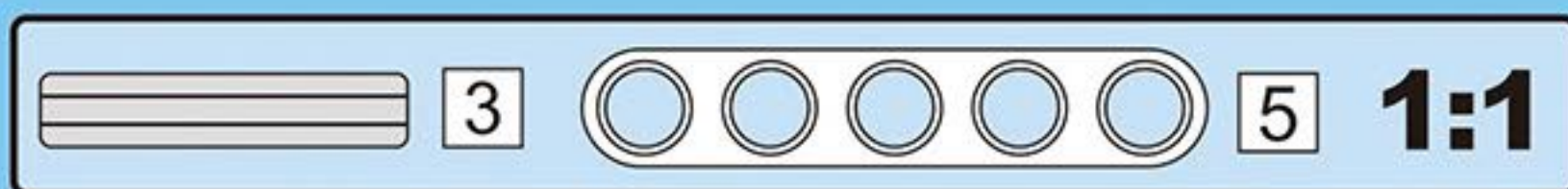
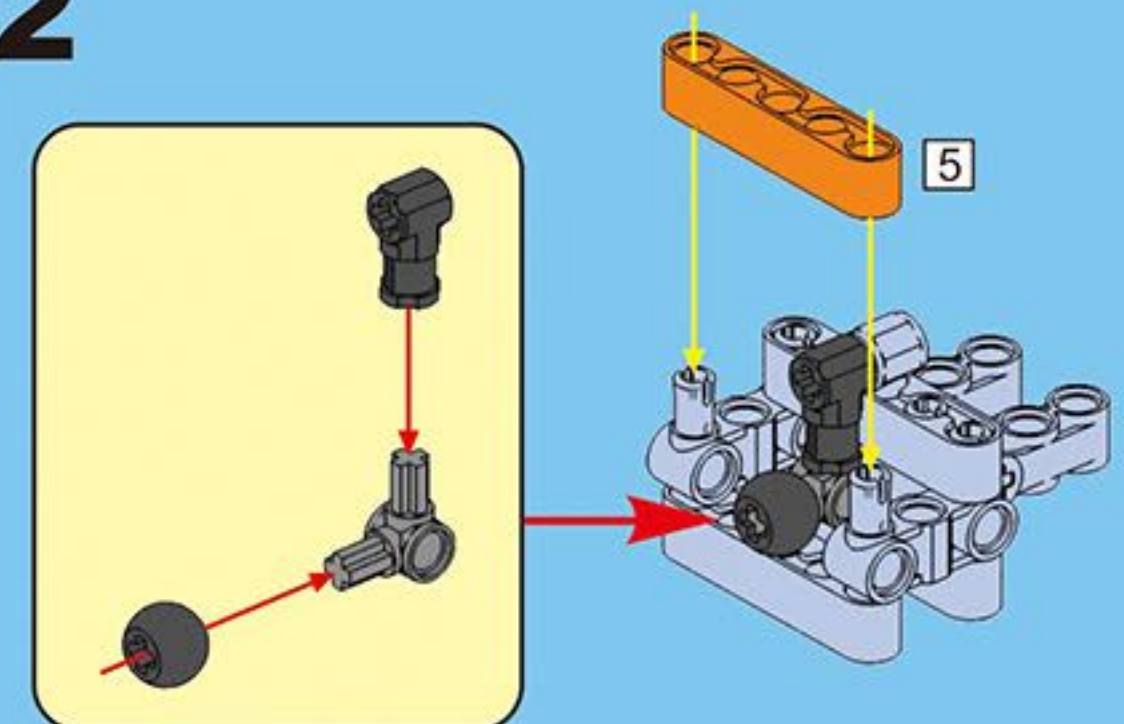
C30

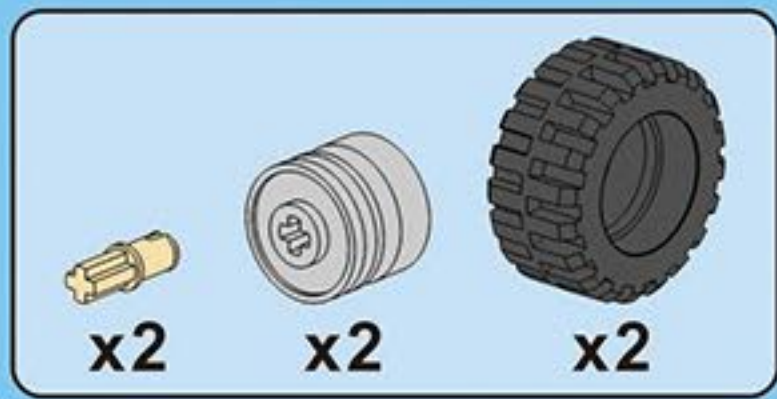


C31

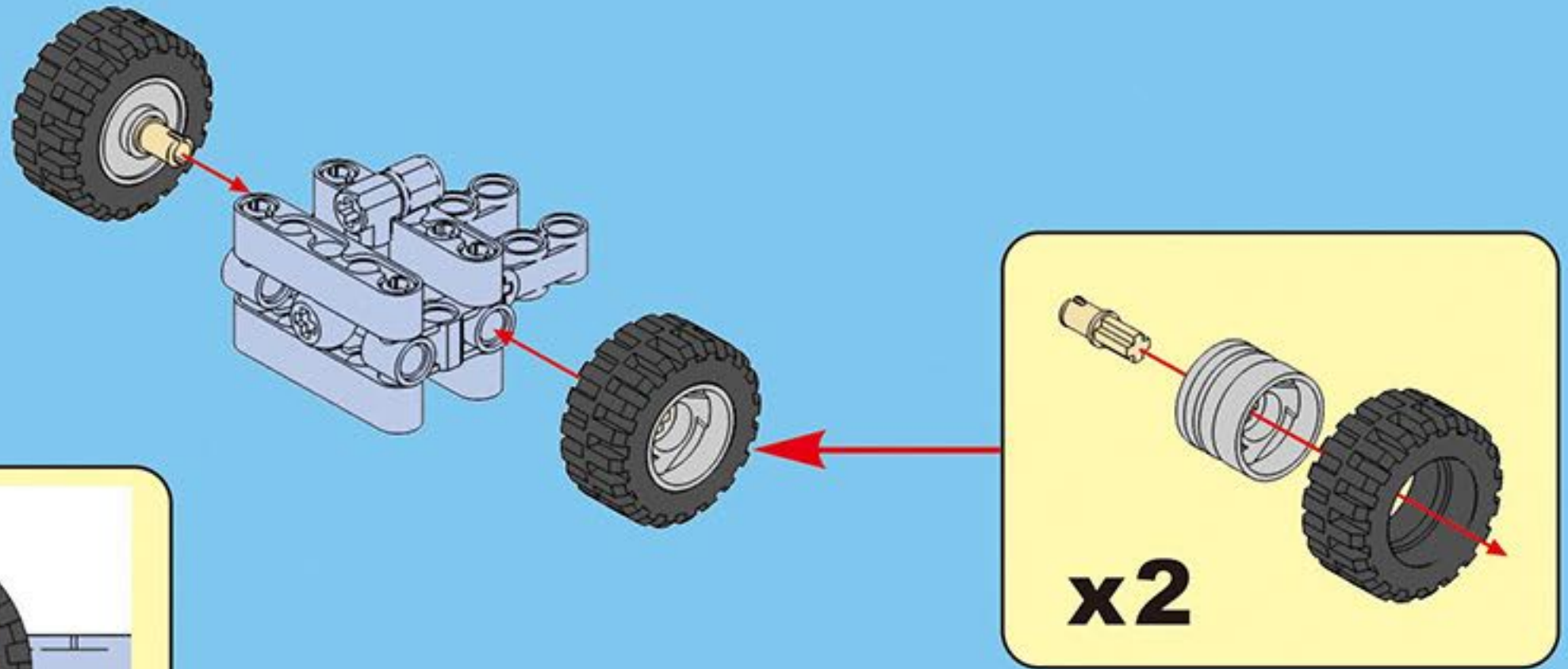
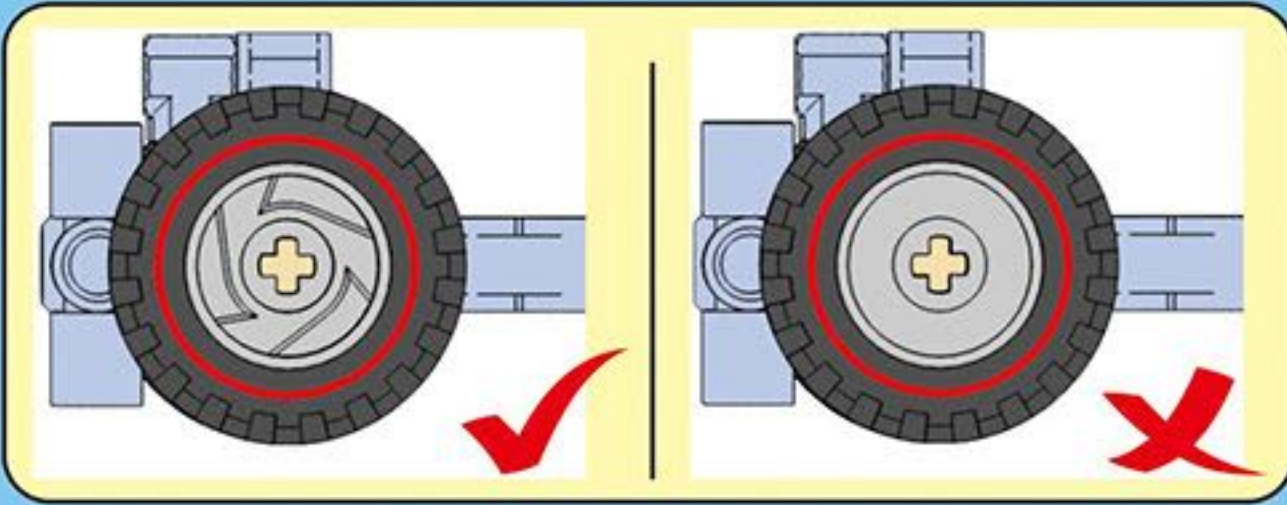


C32

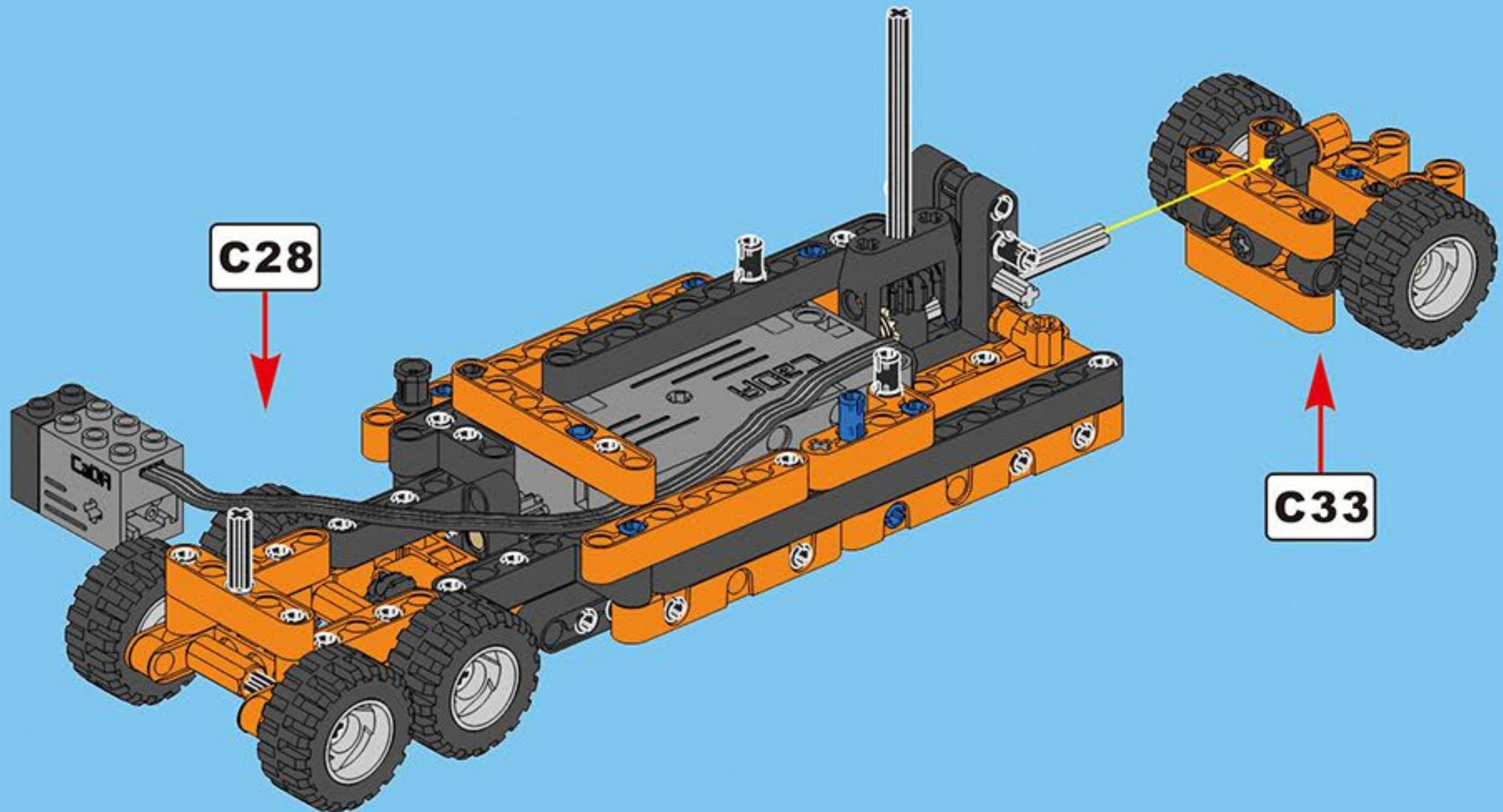


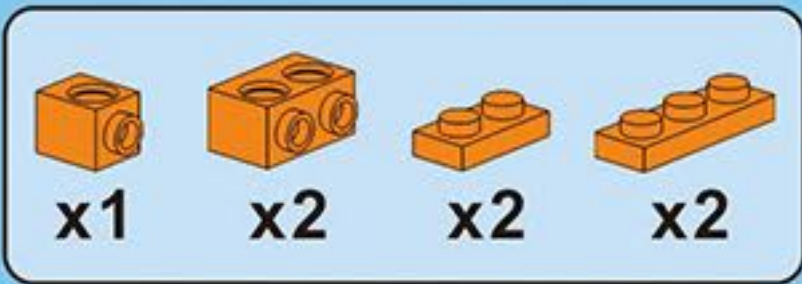


C33

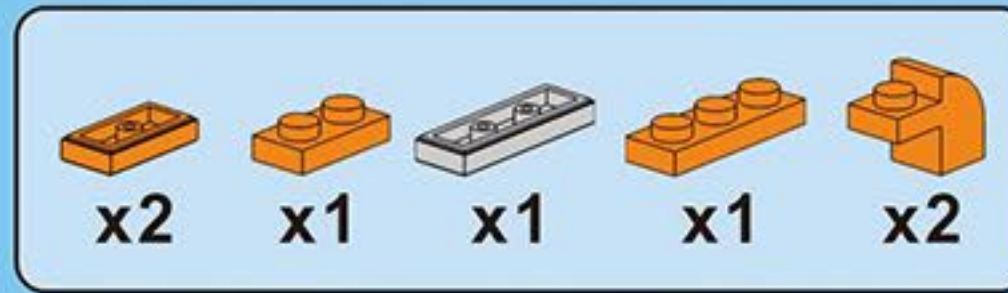
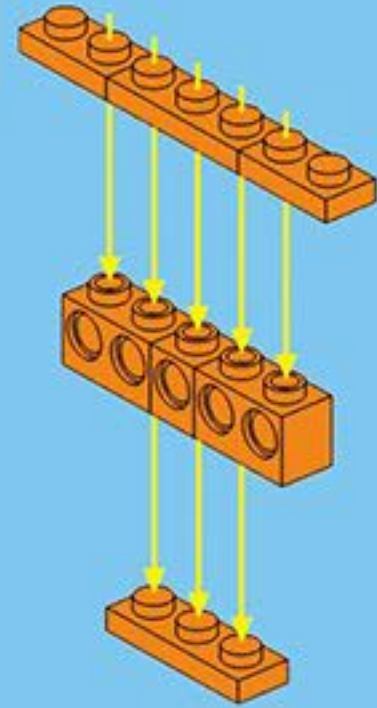


C34

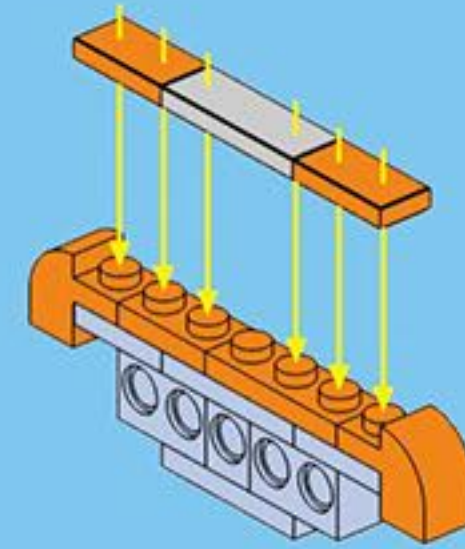




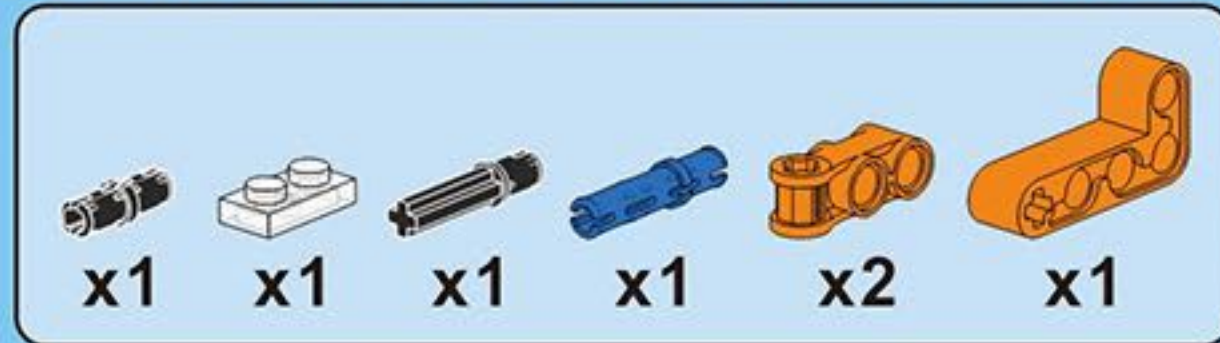
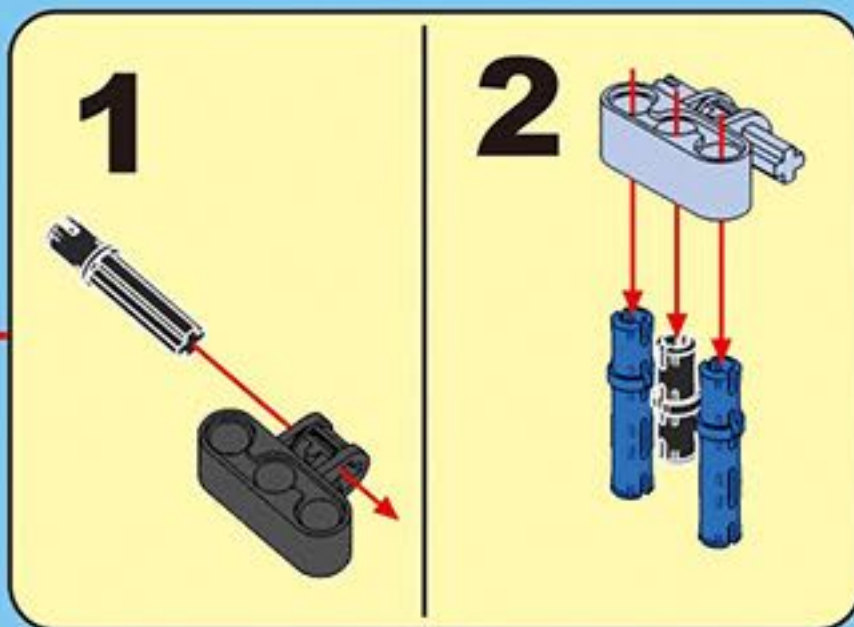
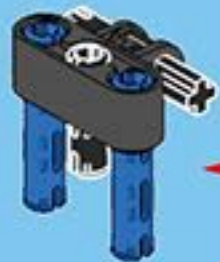
C35



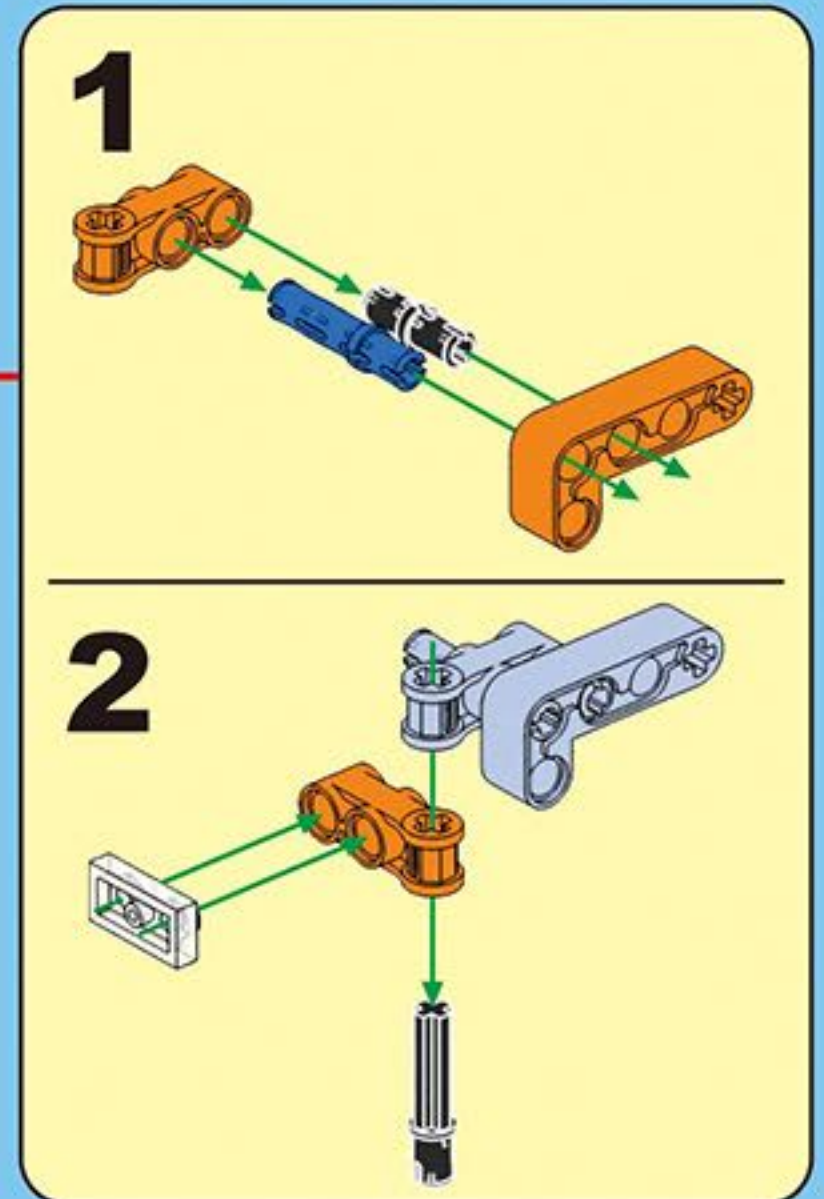
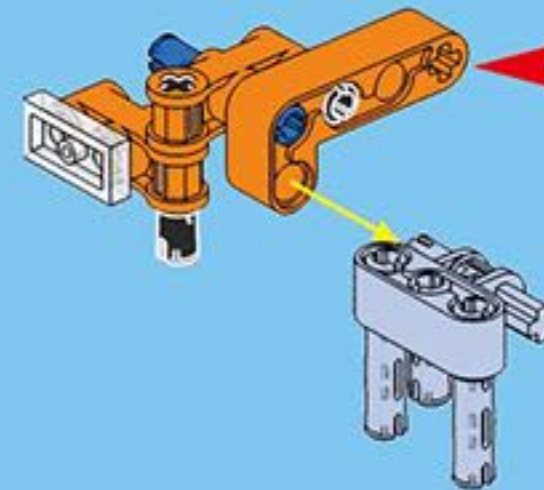
C36

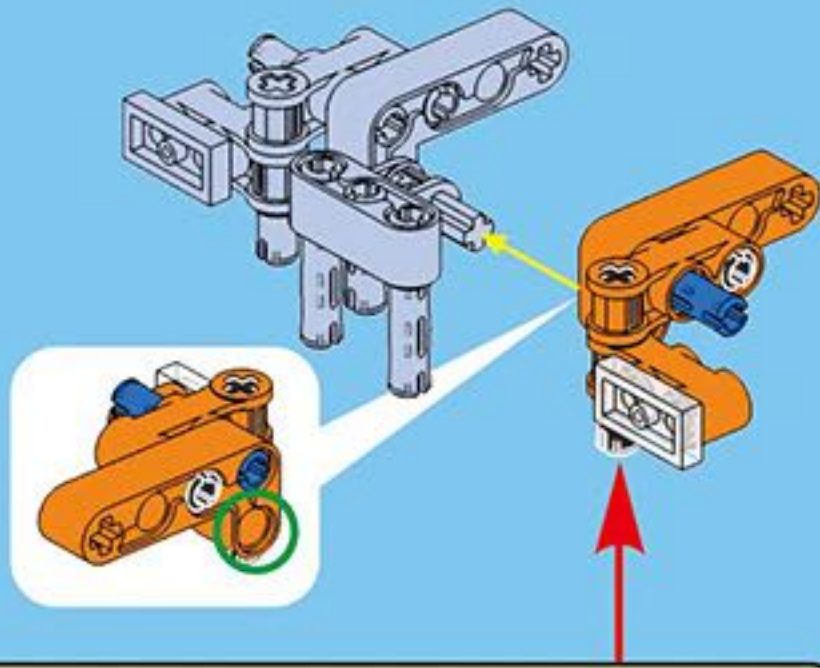
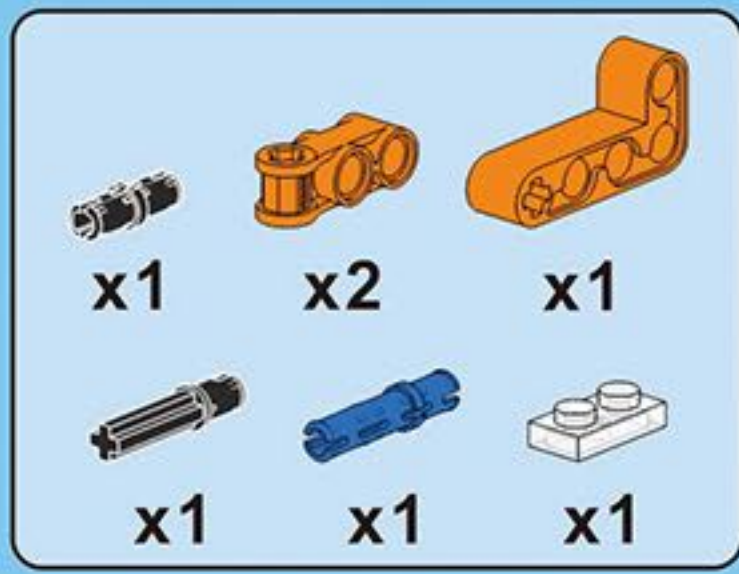


C37

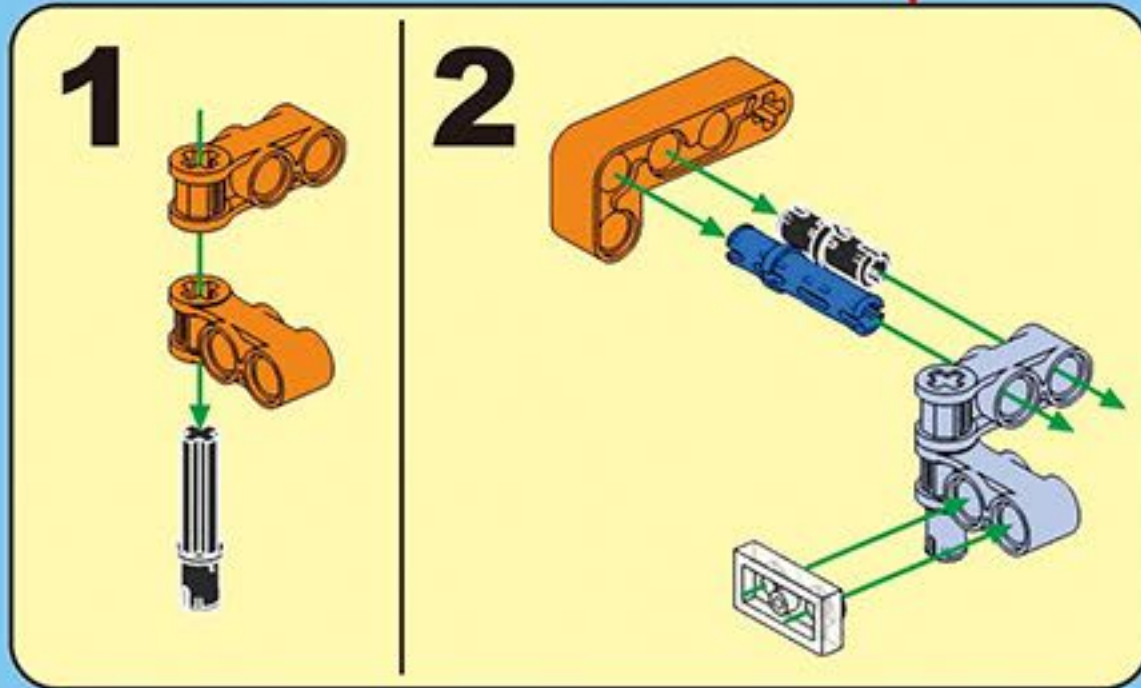


C38

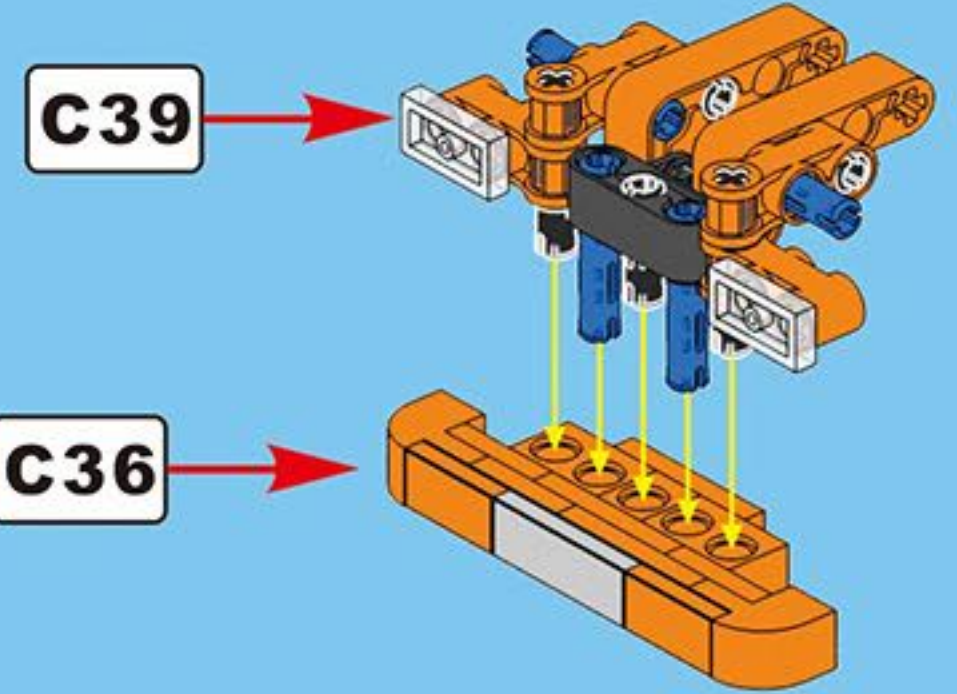




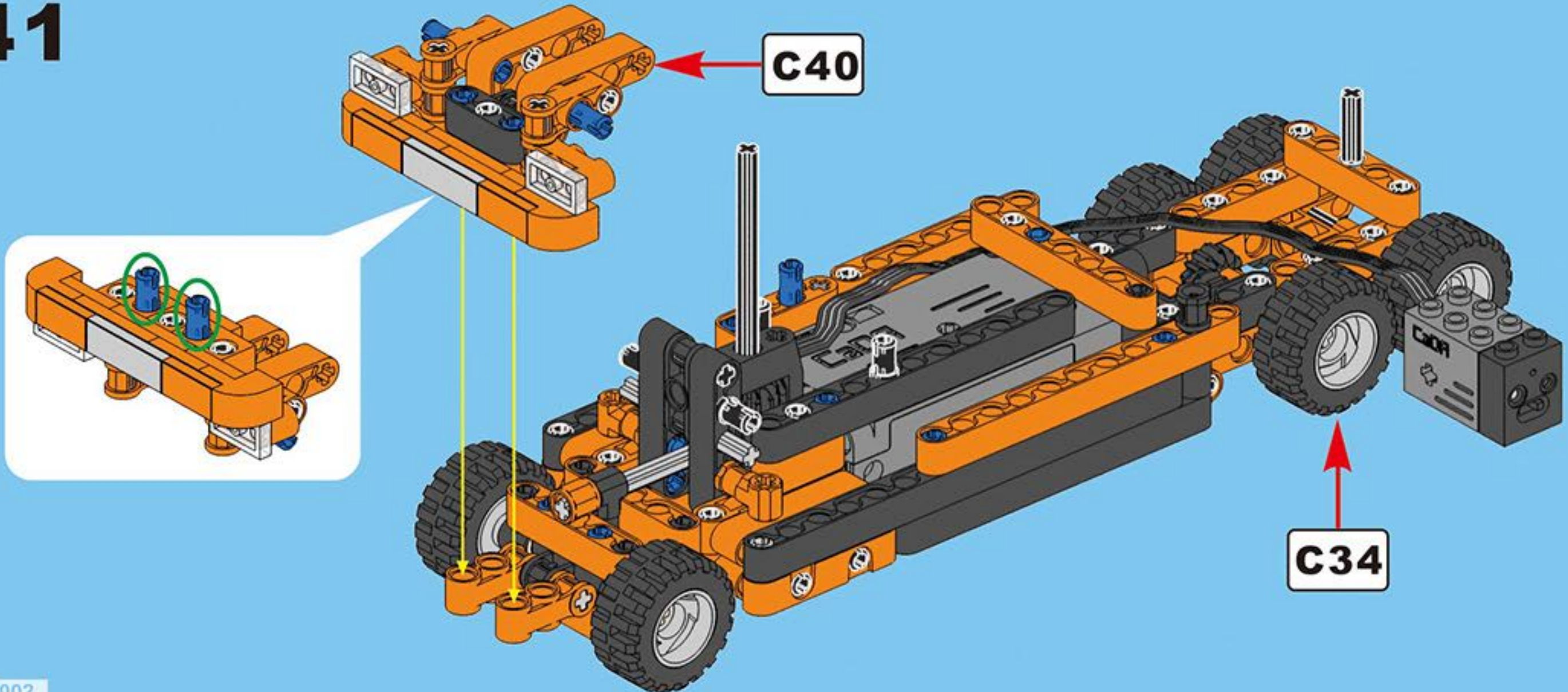
C39

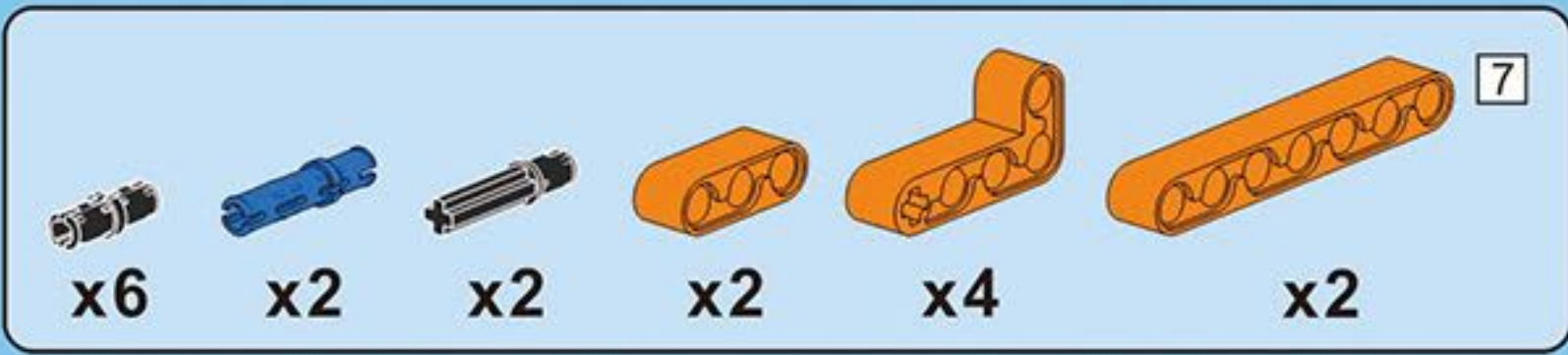


C40

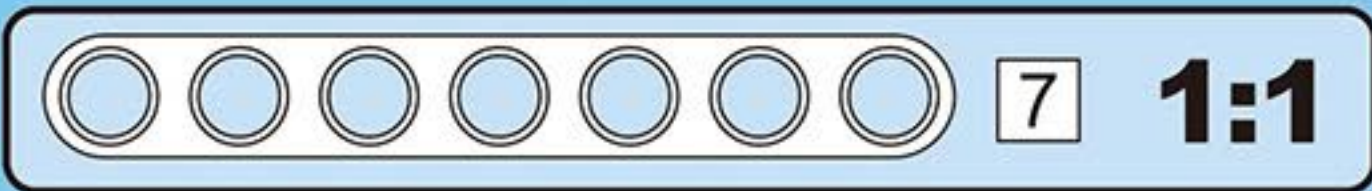
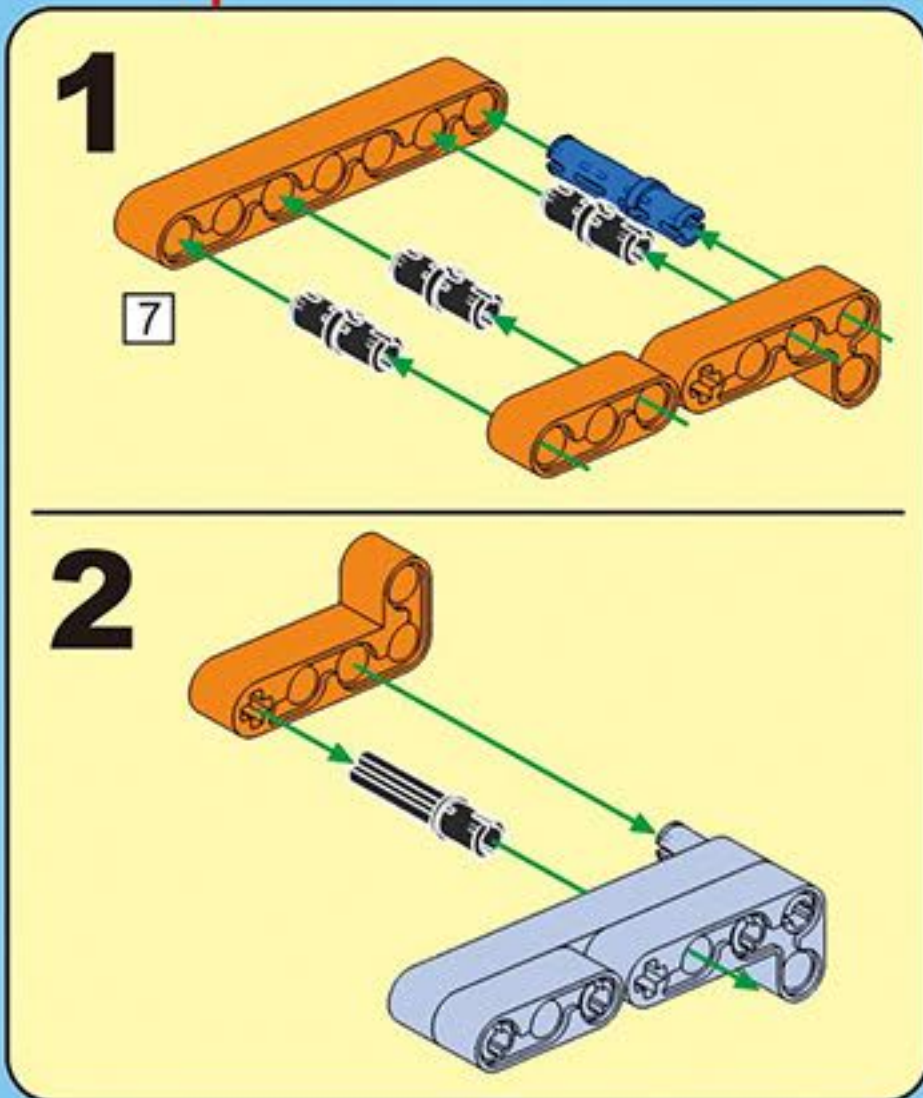
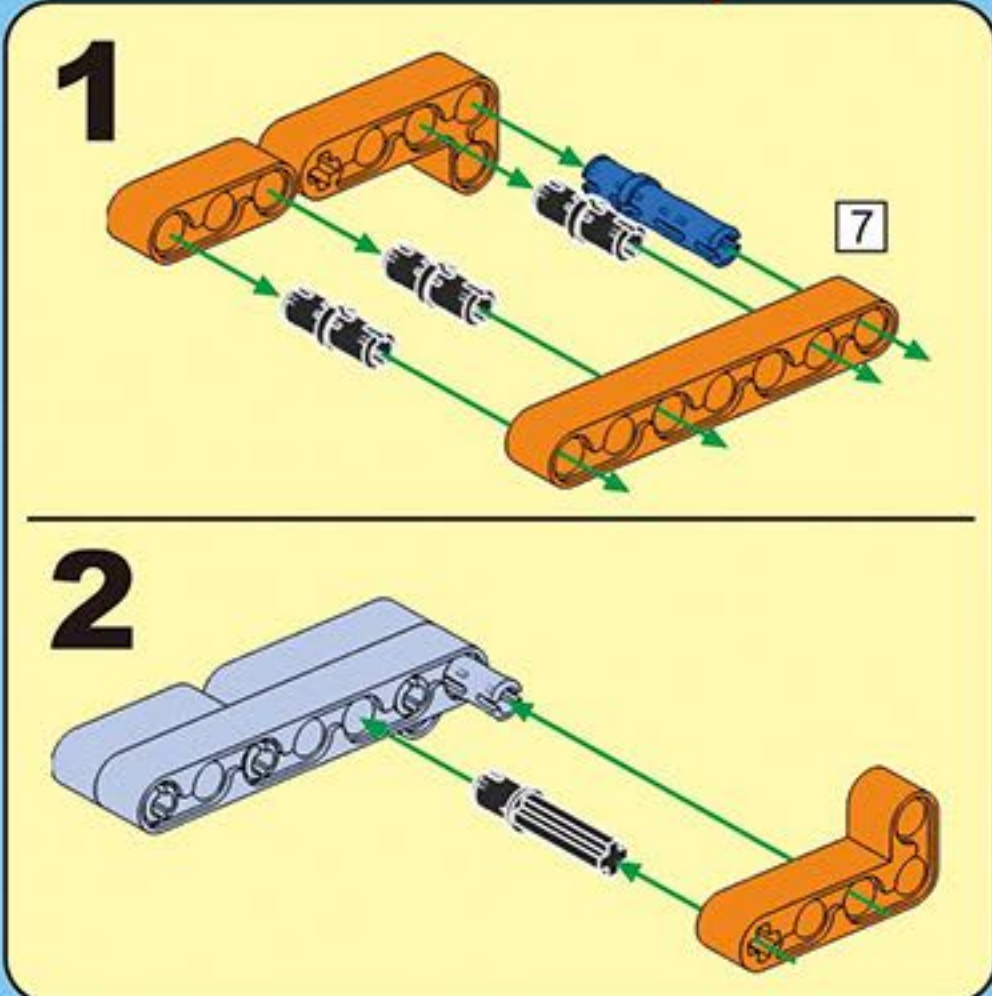
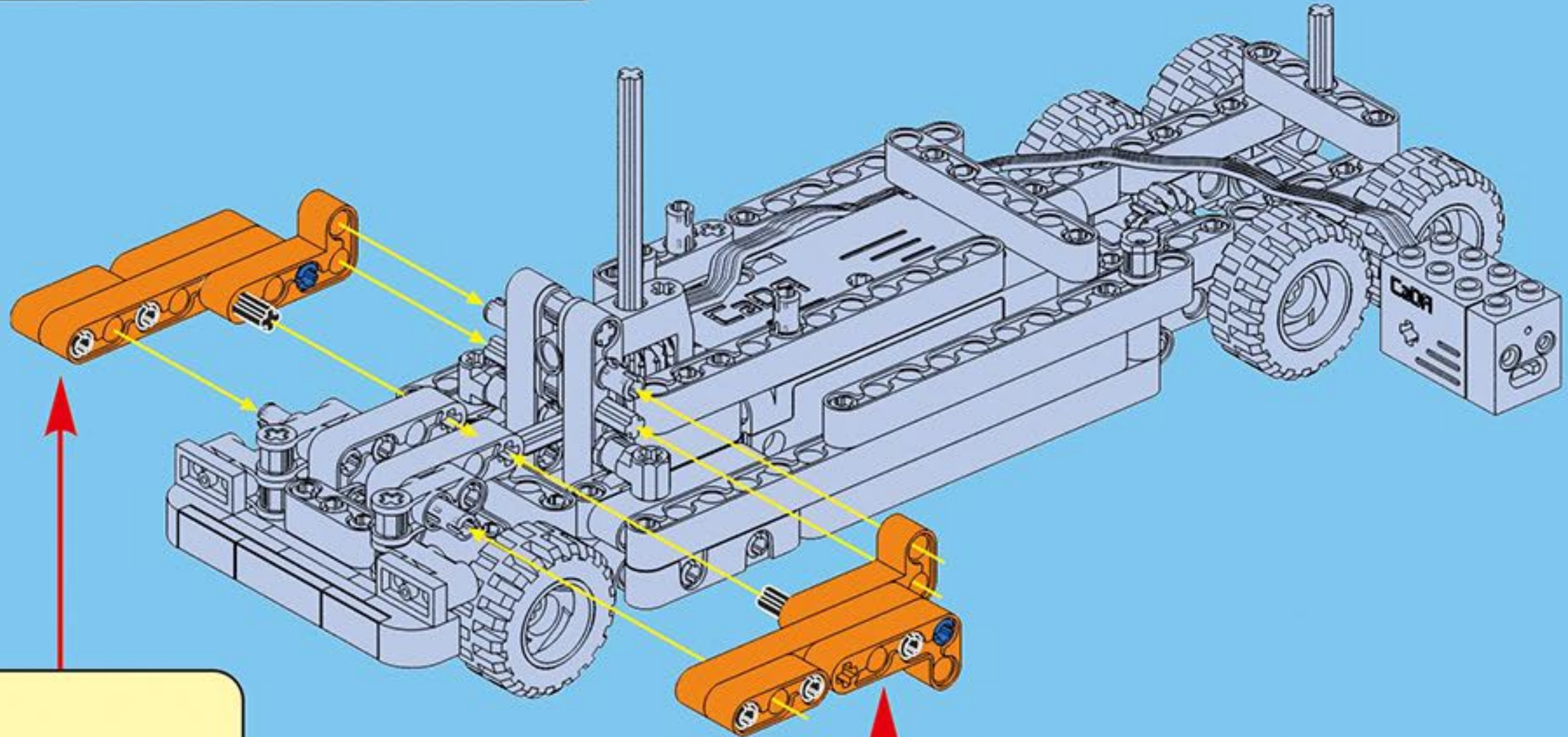


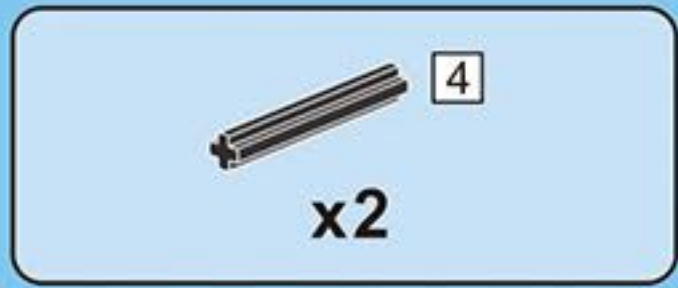
C41



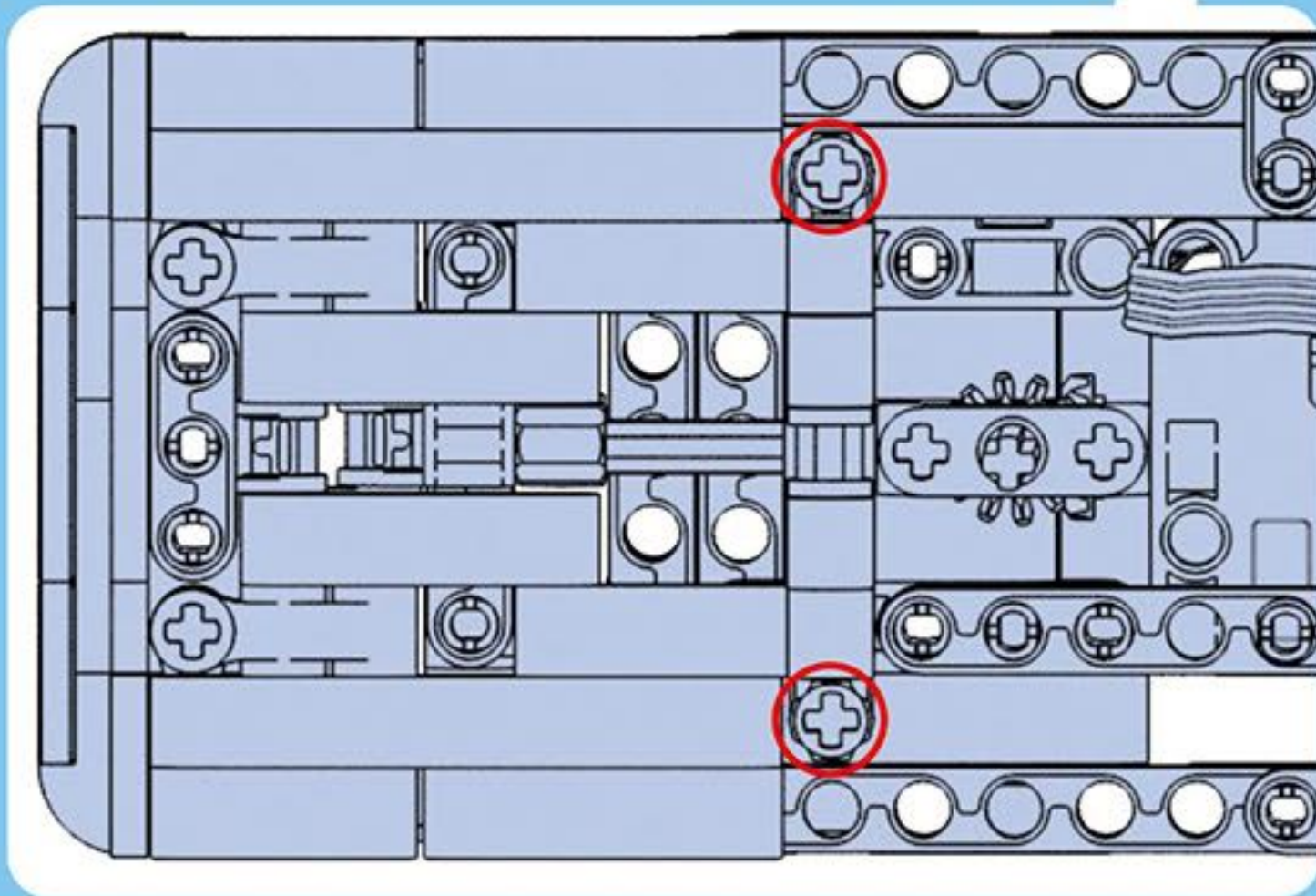
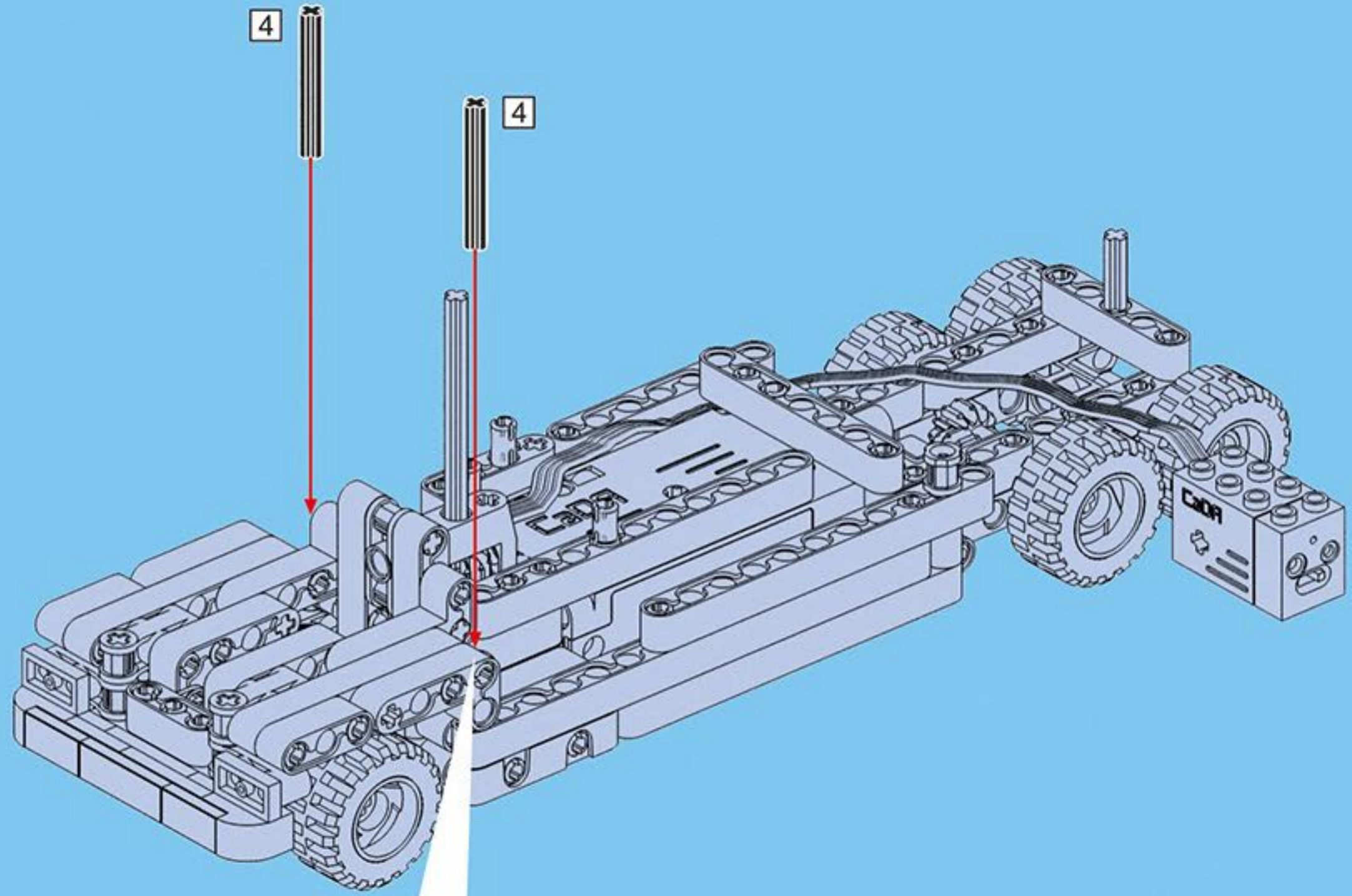


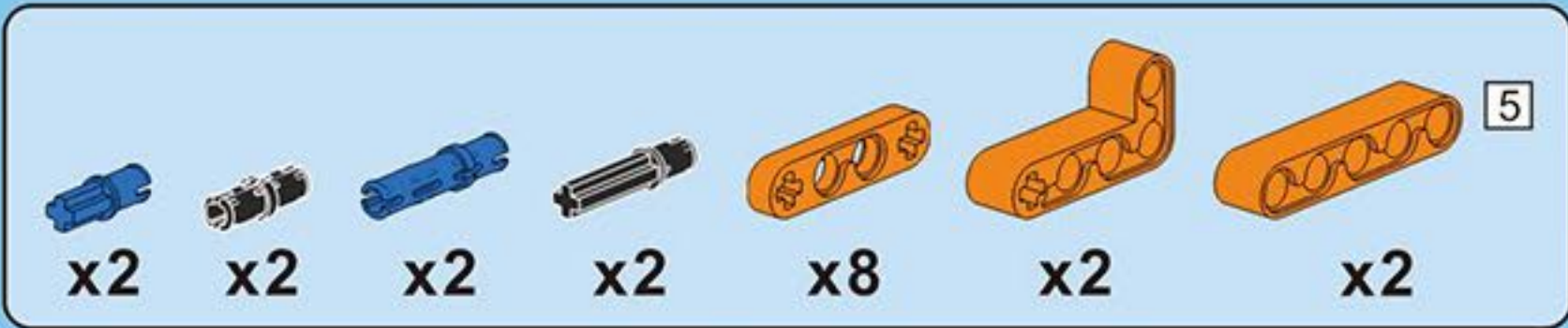
C42



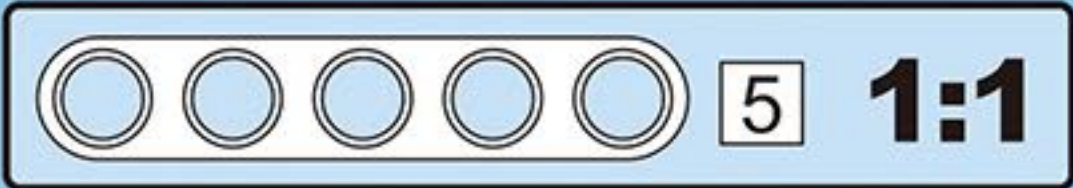
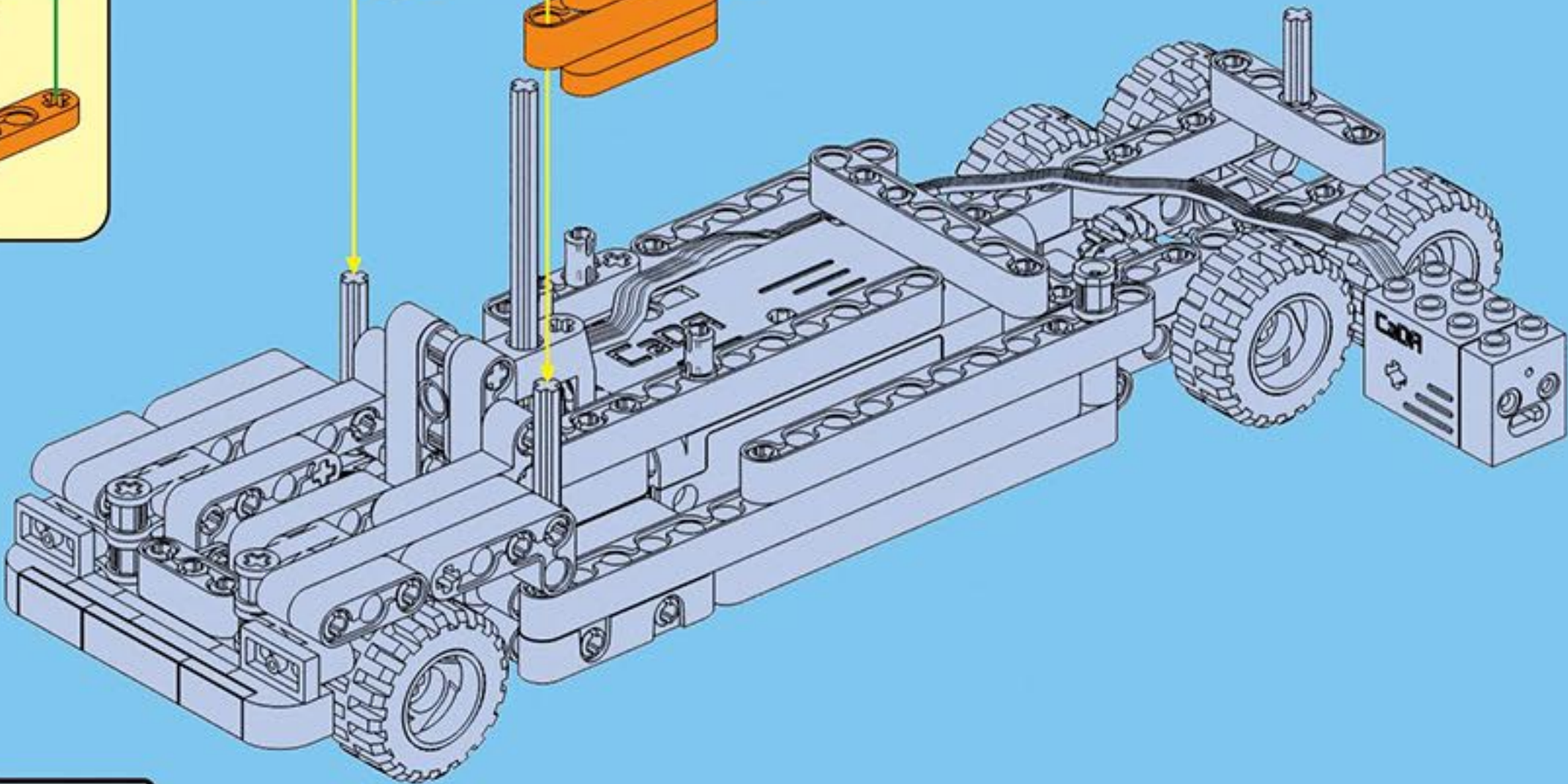
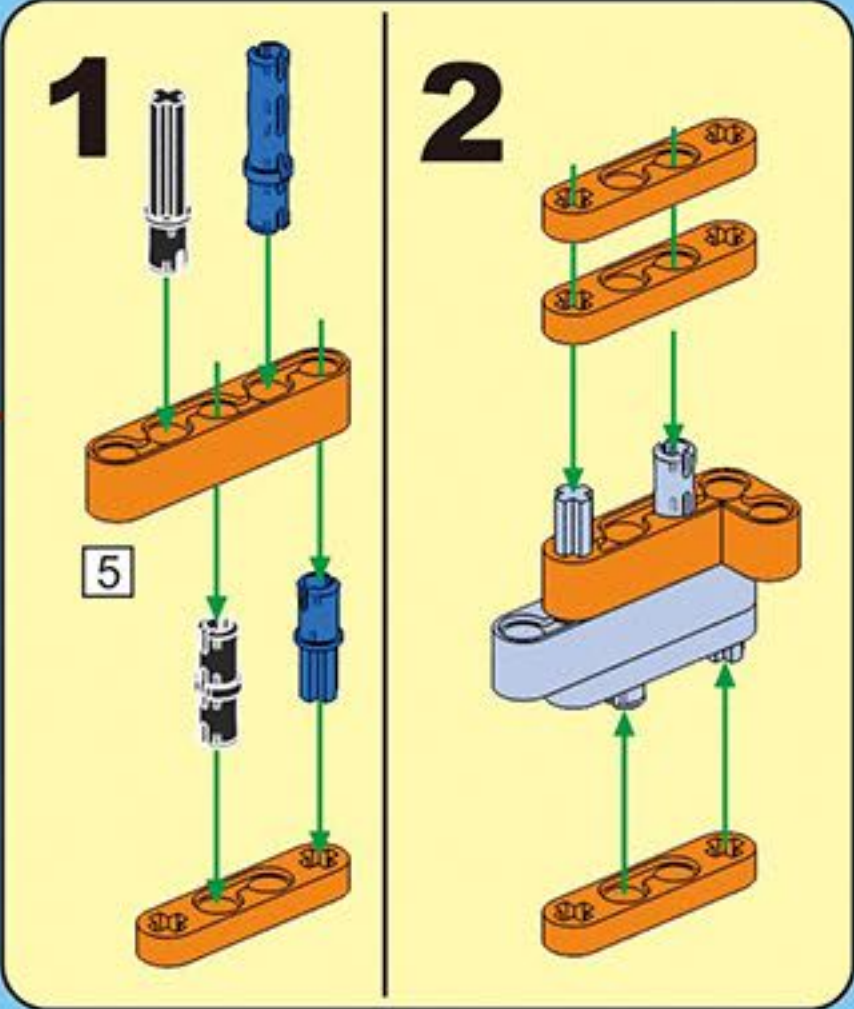
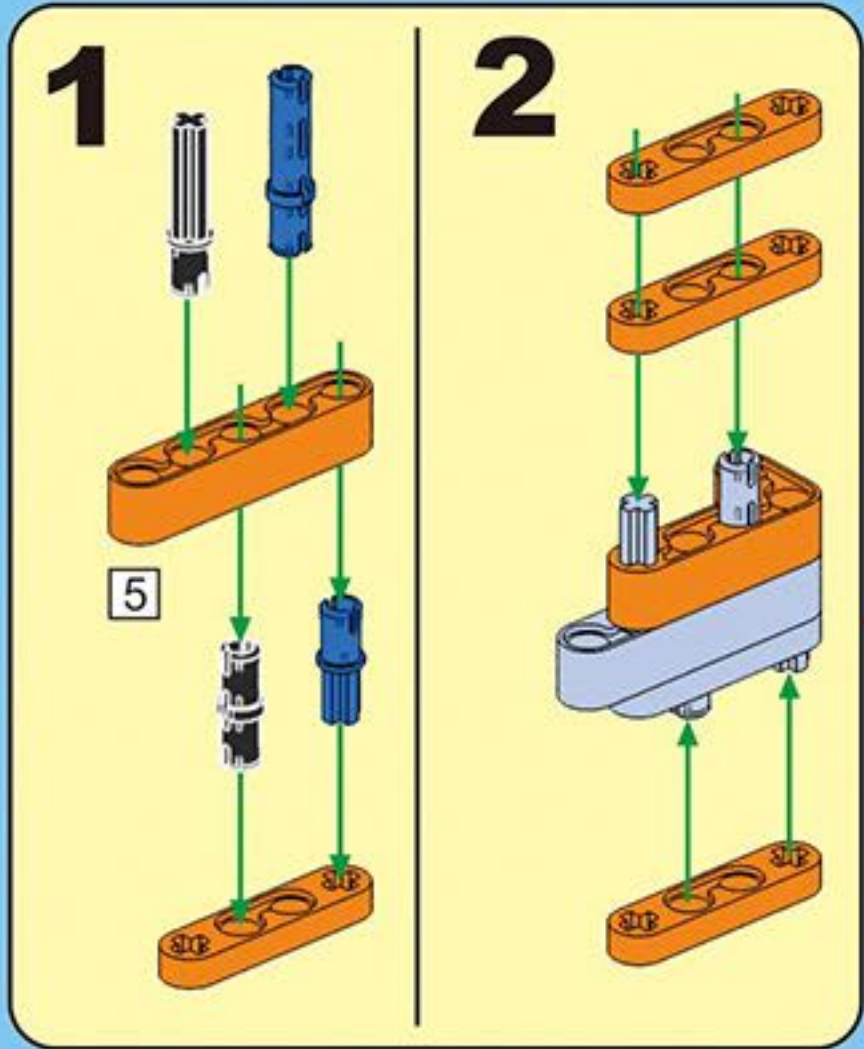


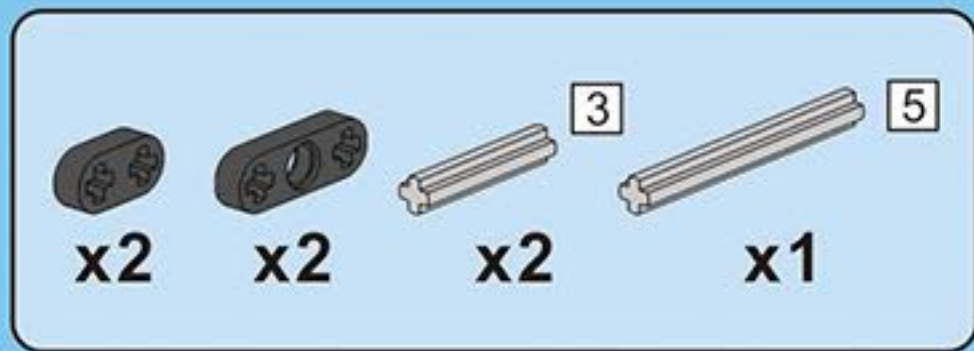
C43



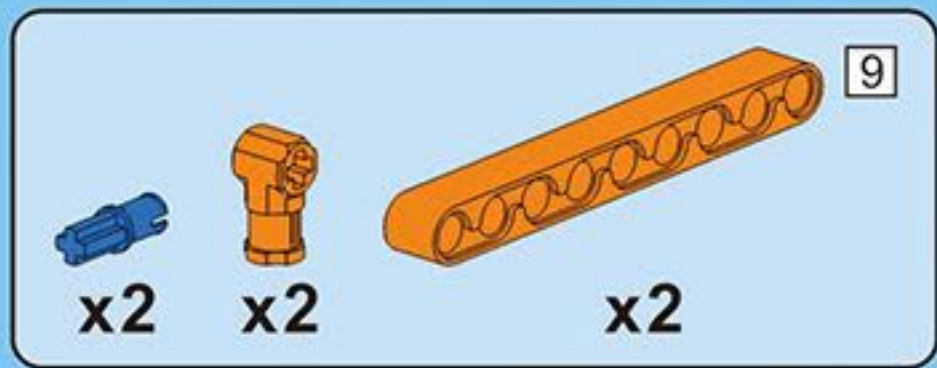
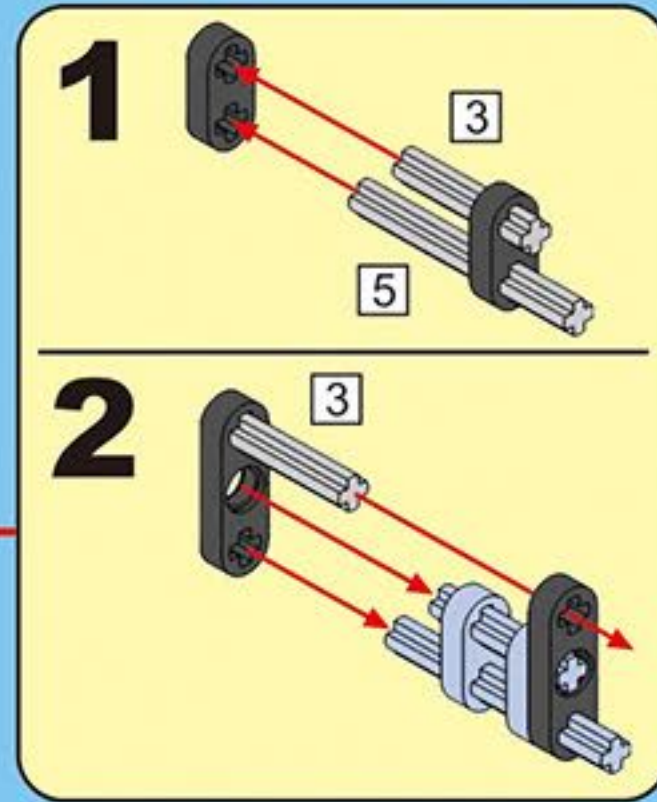
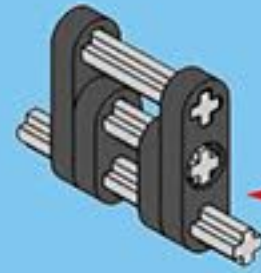


C44

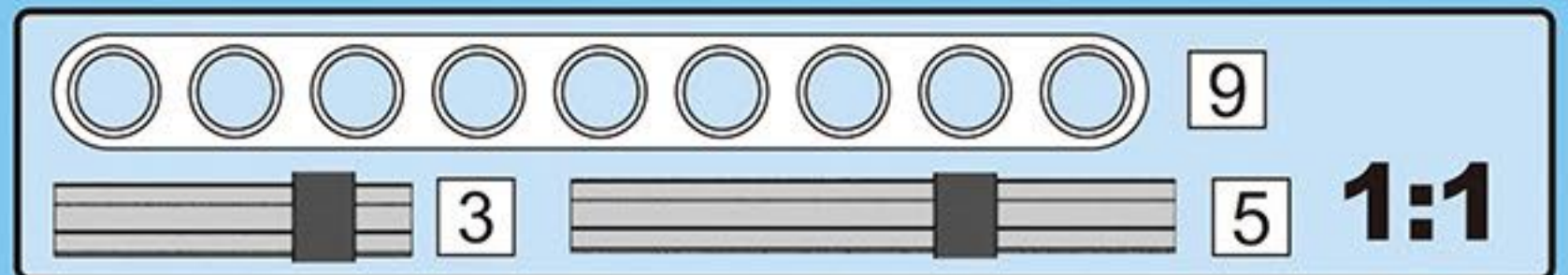
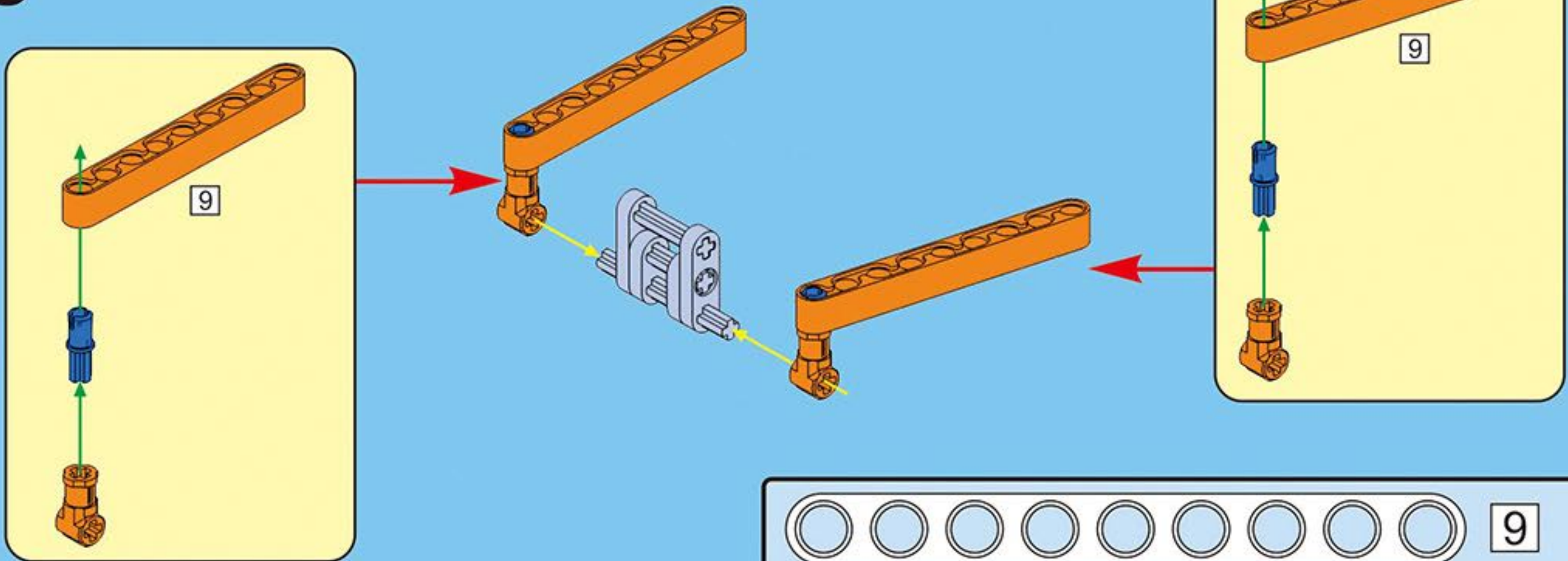




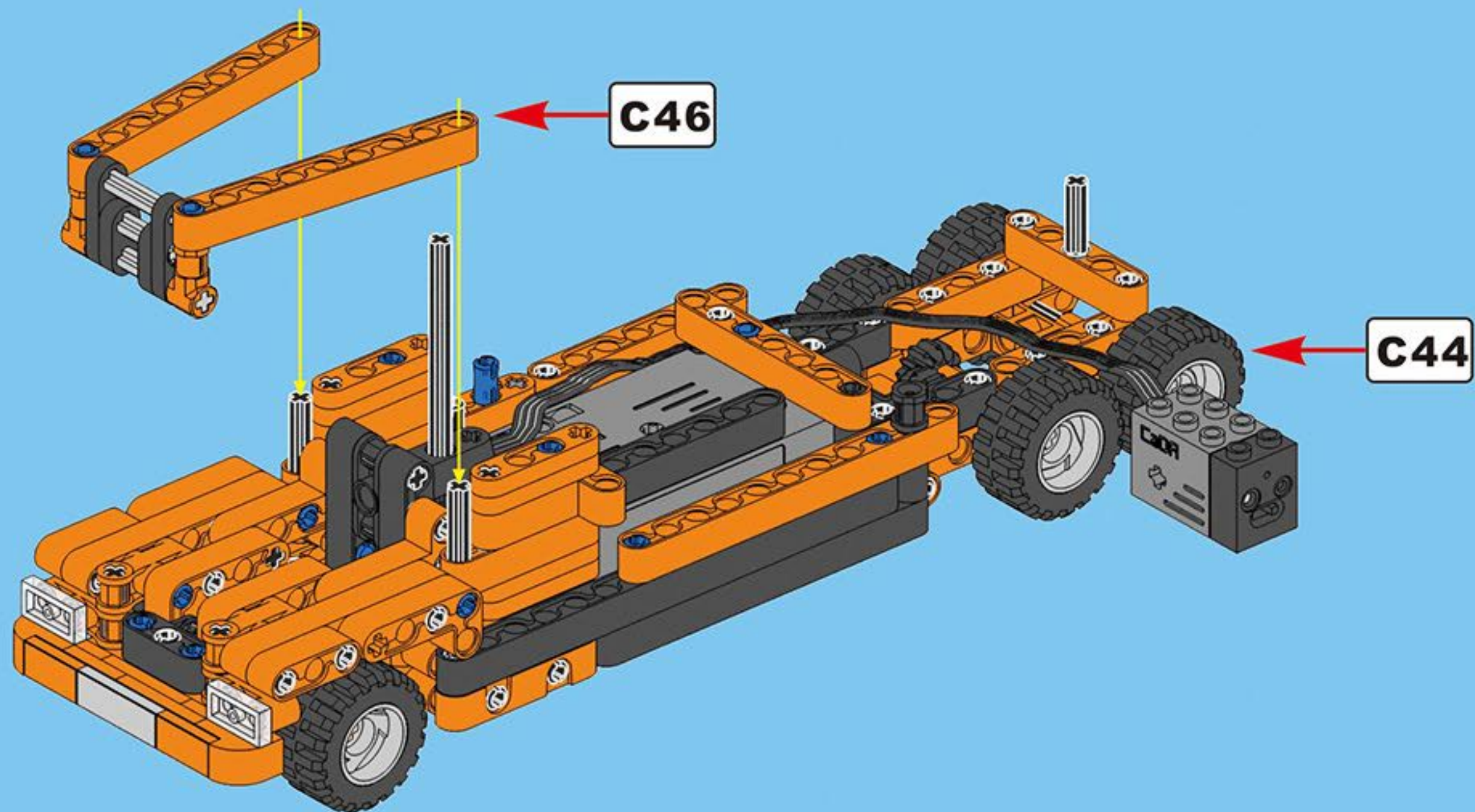
C45



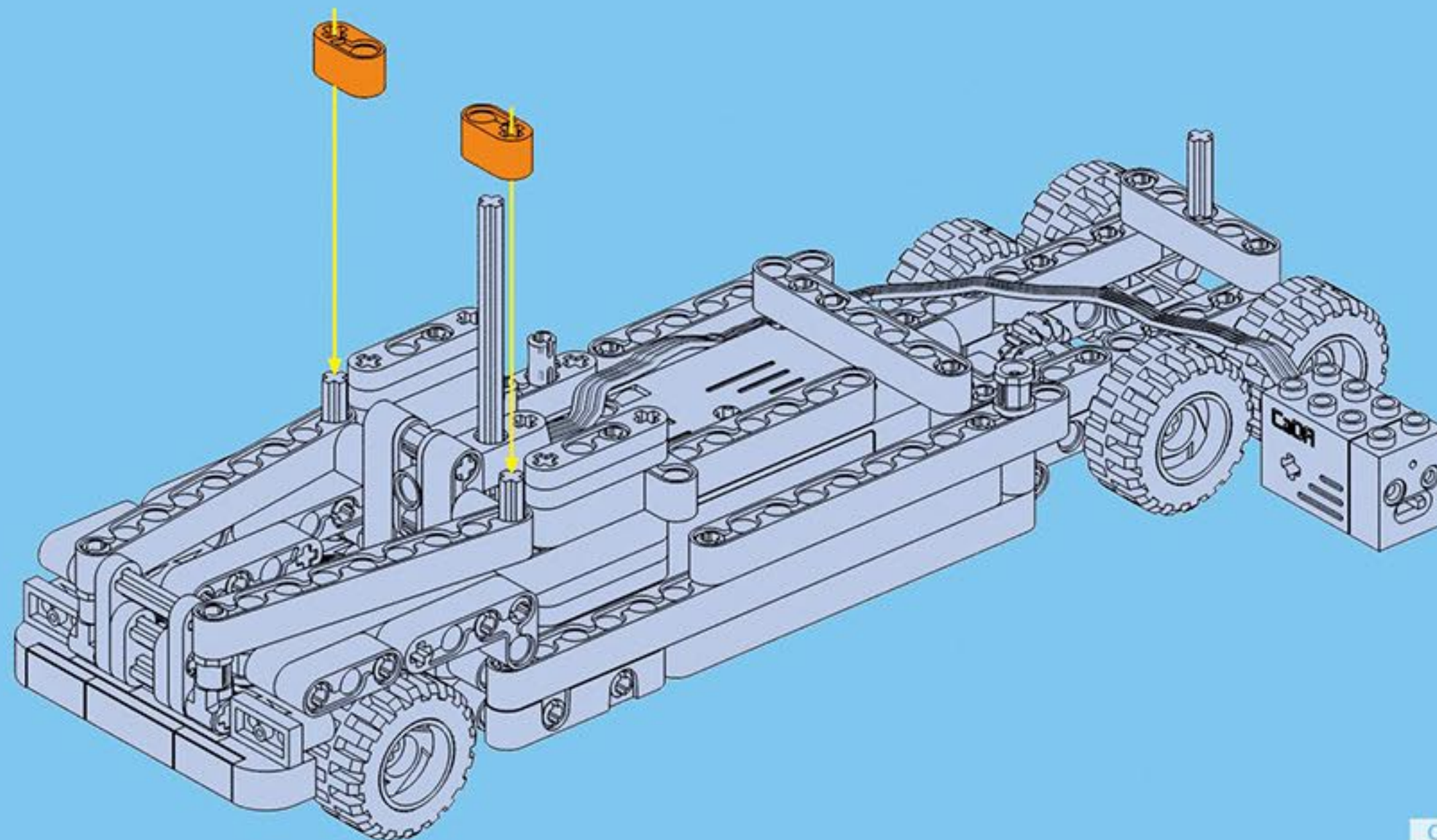
C46

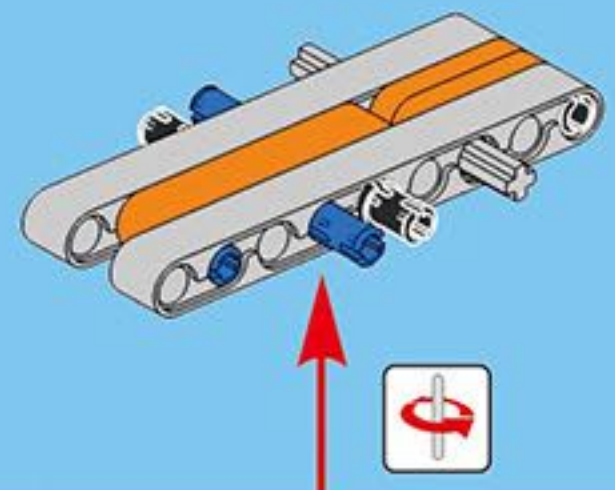
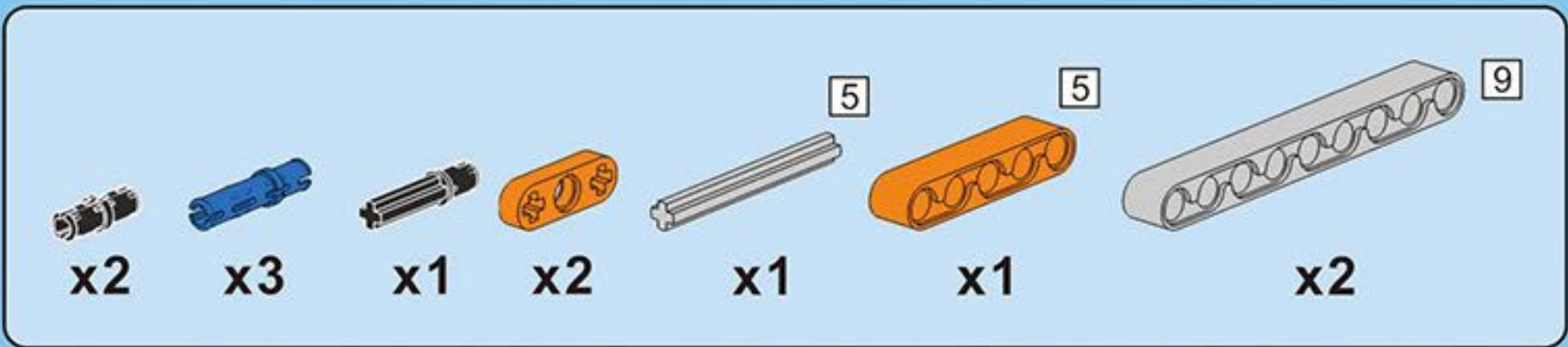


C47

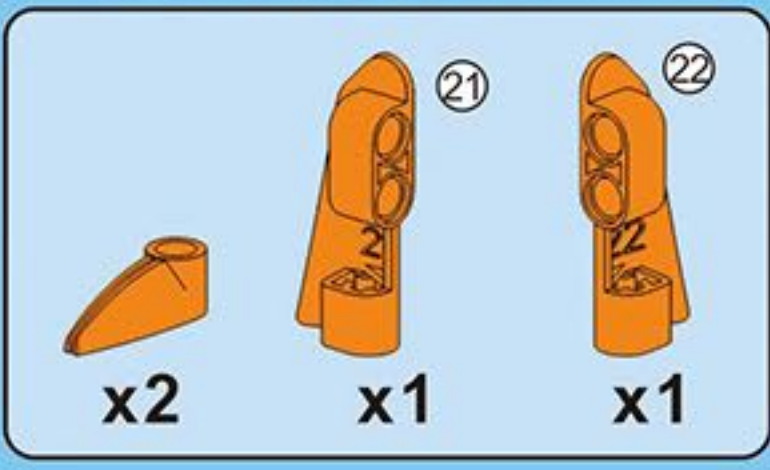
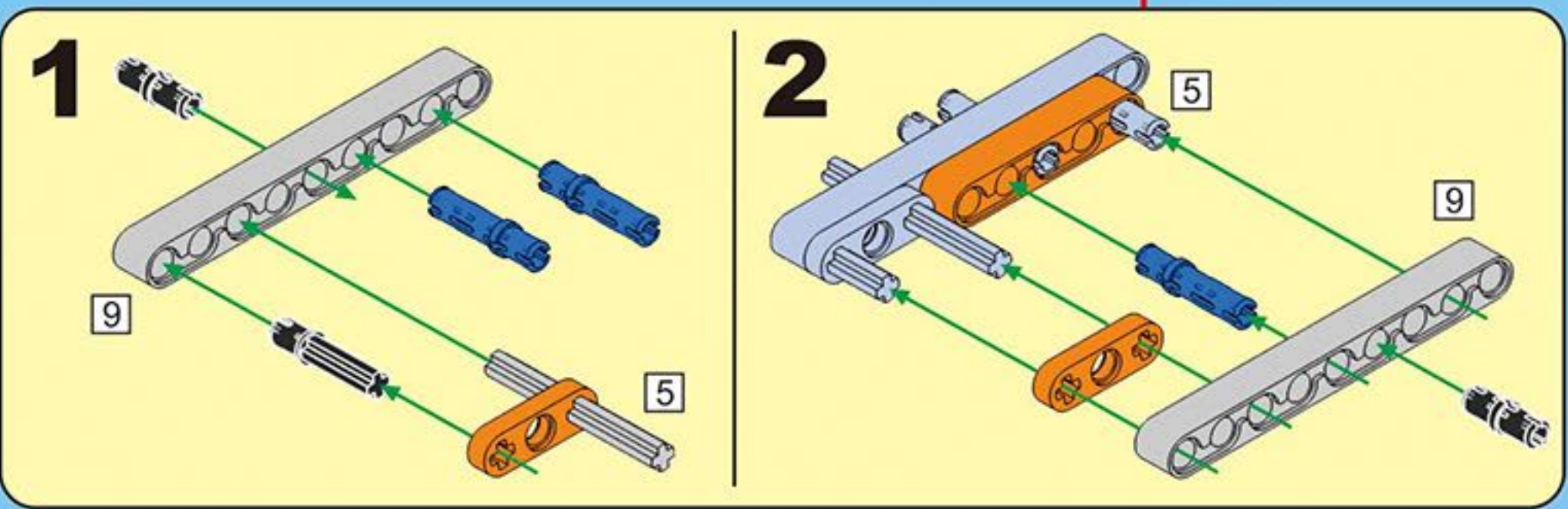


C48

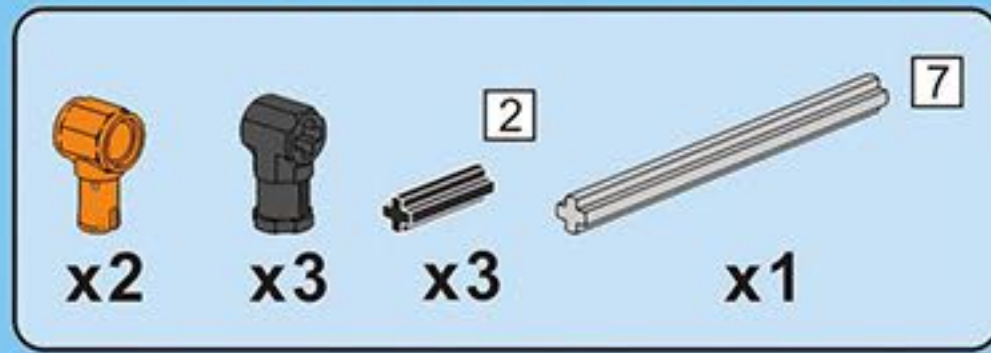
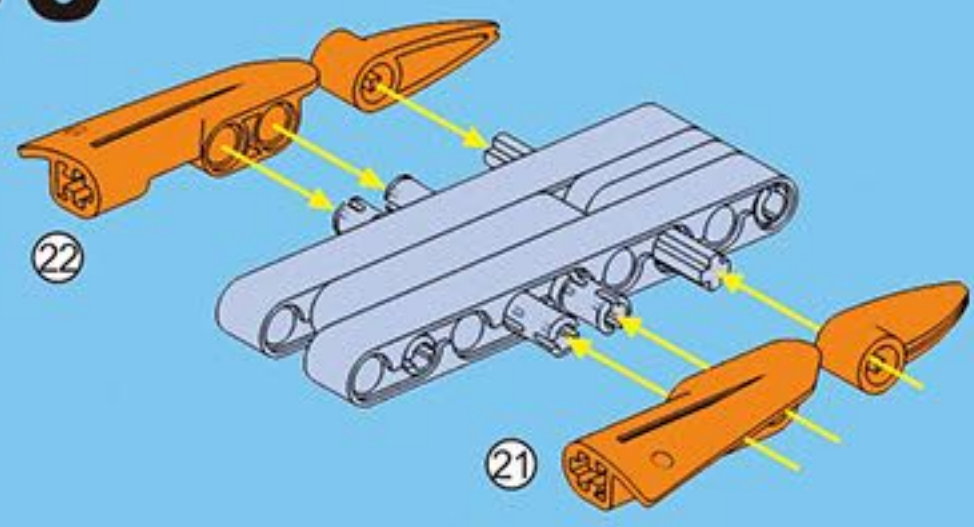




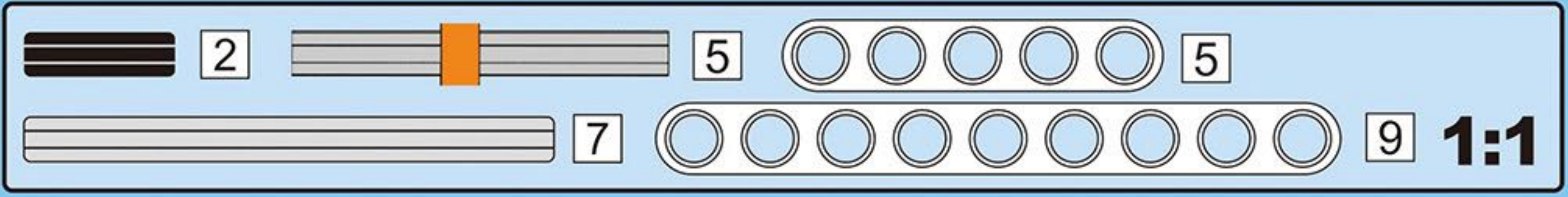
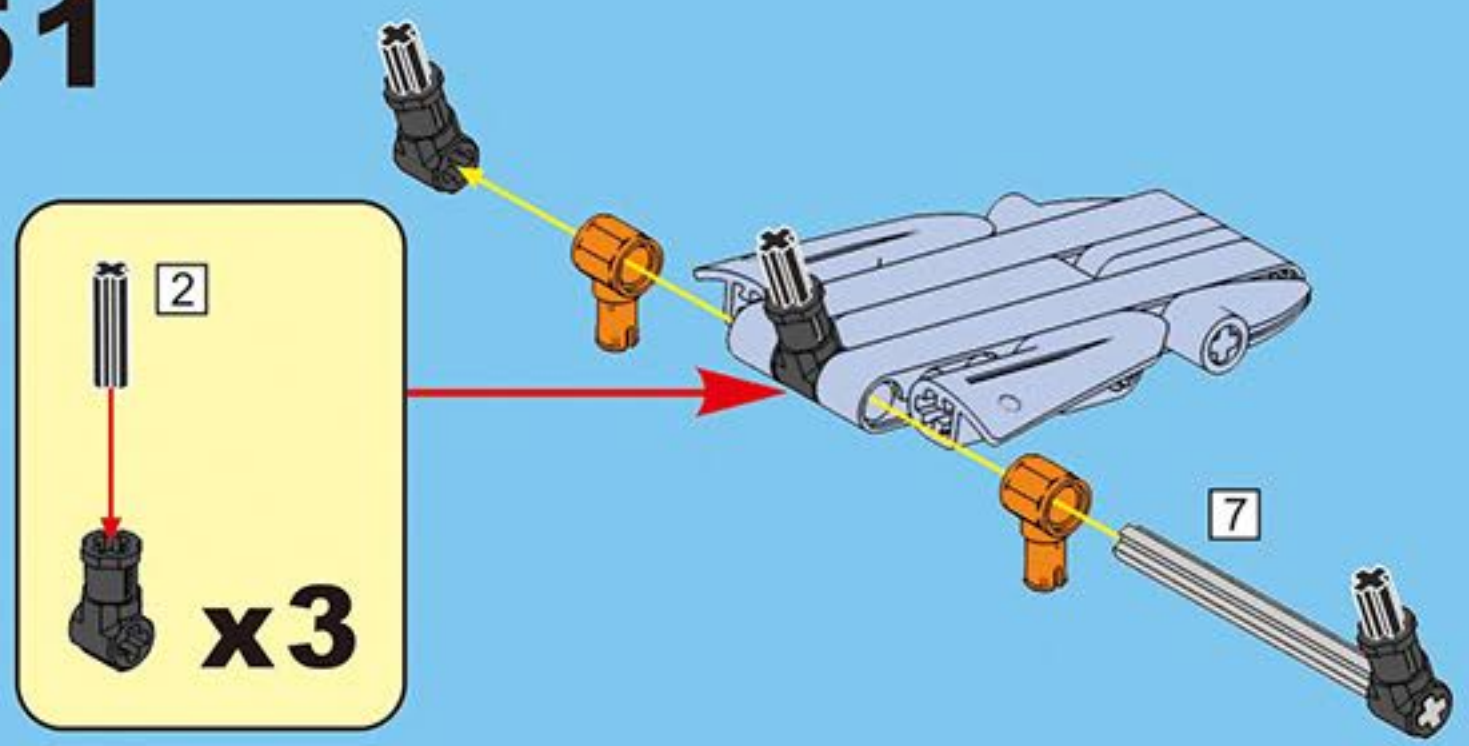
C49

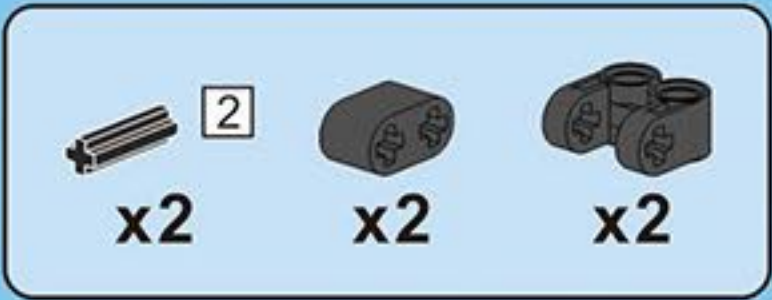


C50

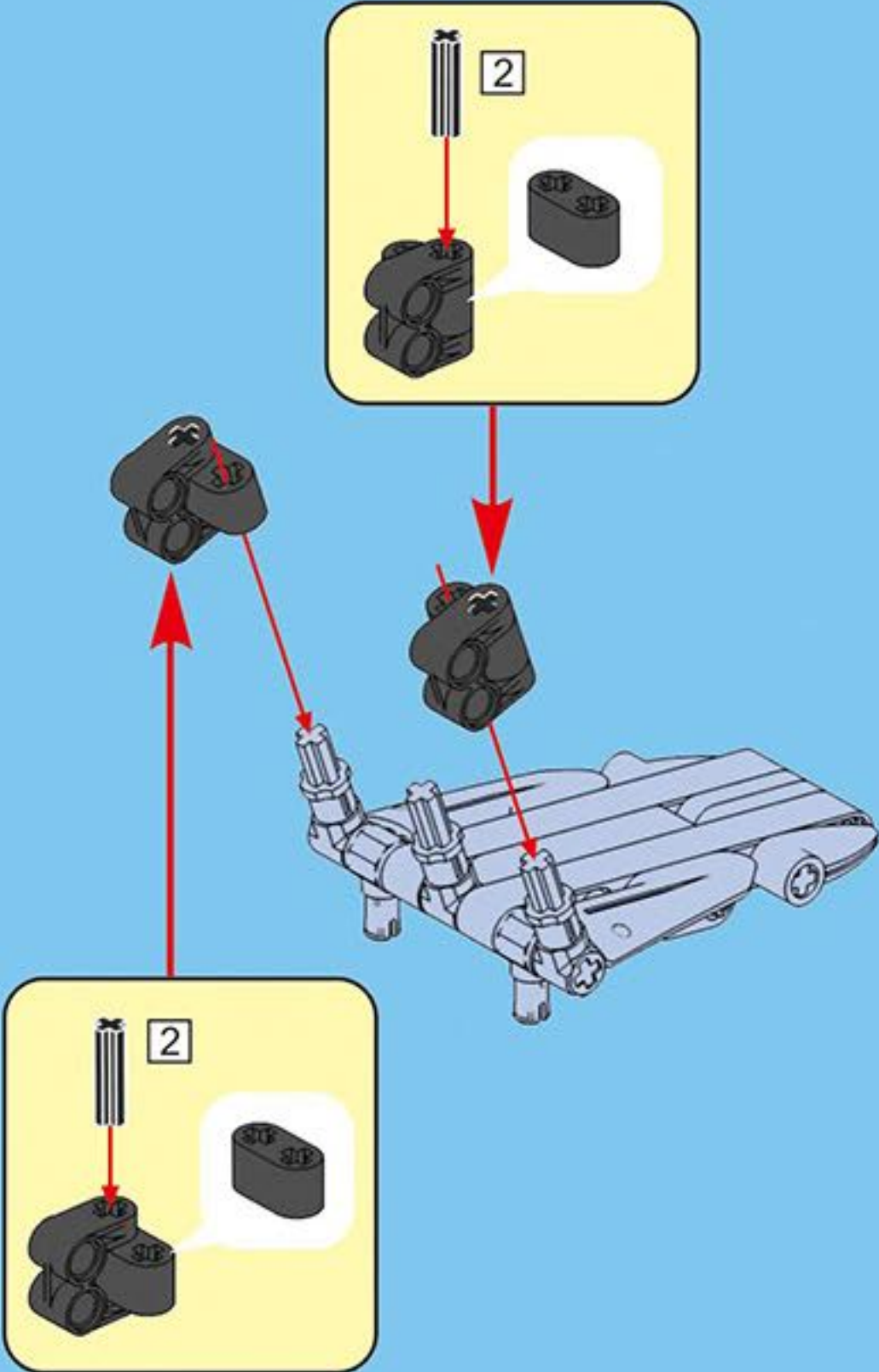


C51

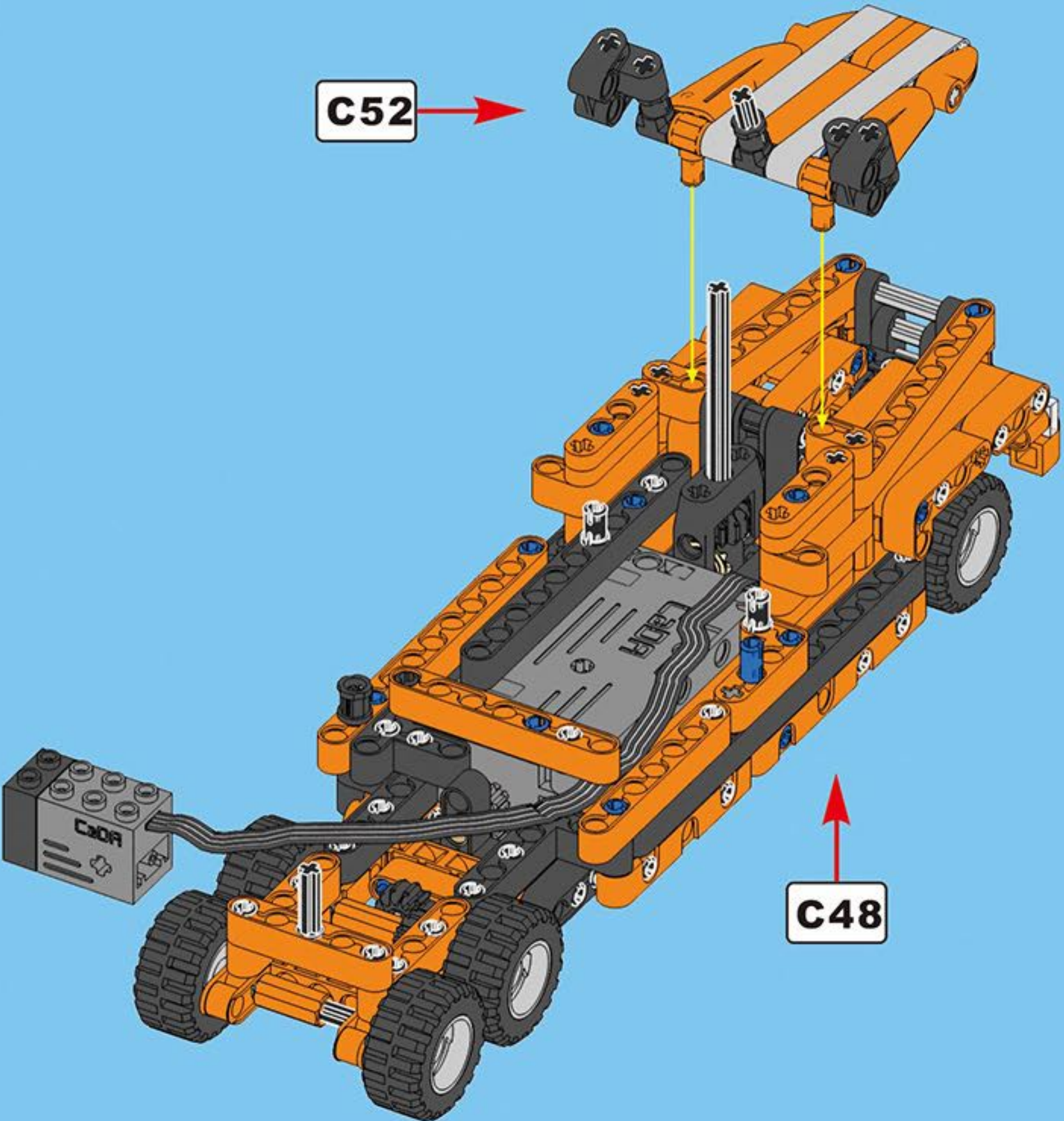


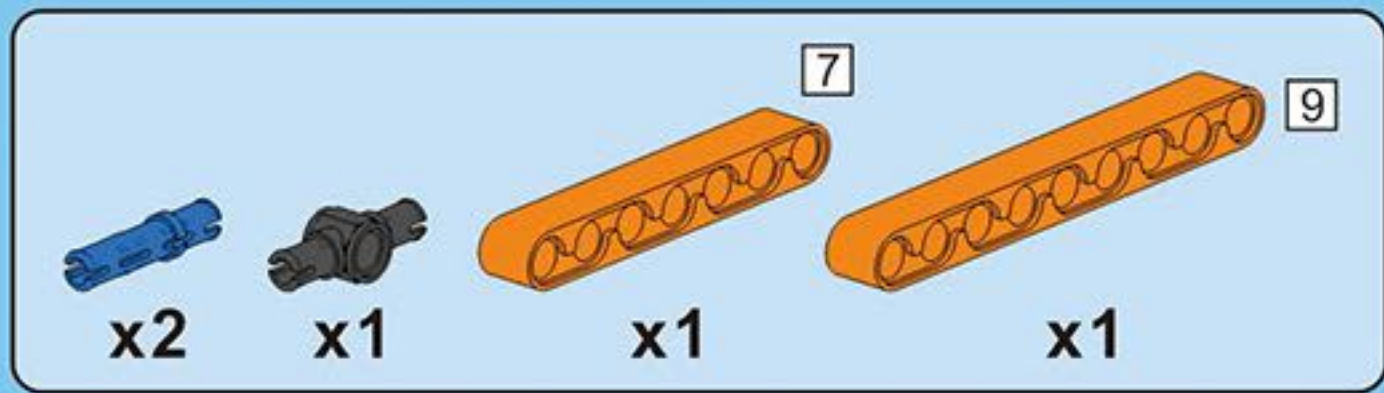


C52

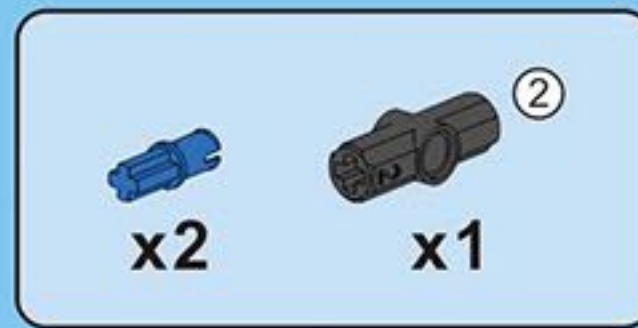
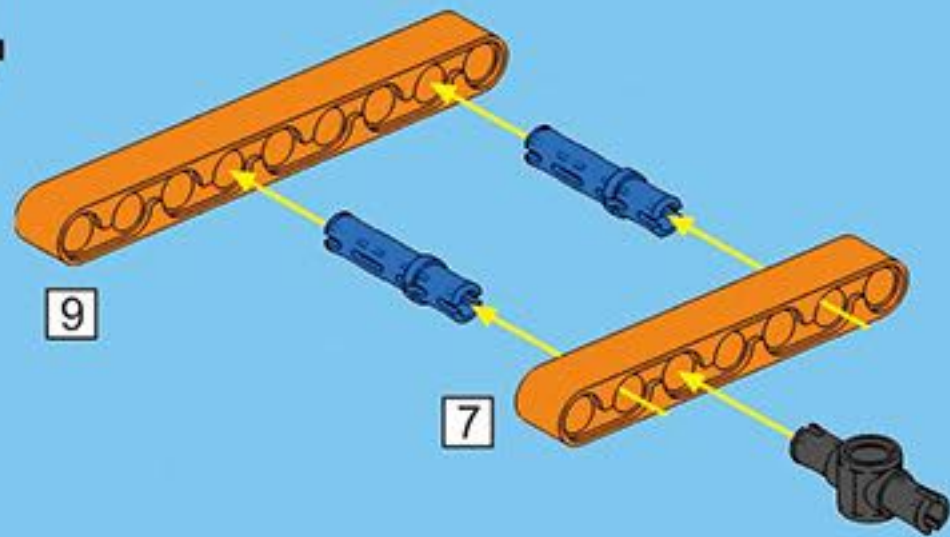


C53

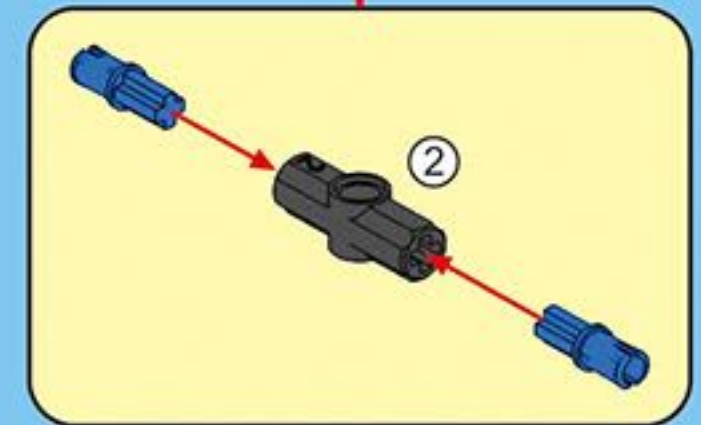
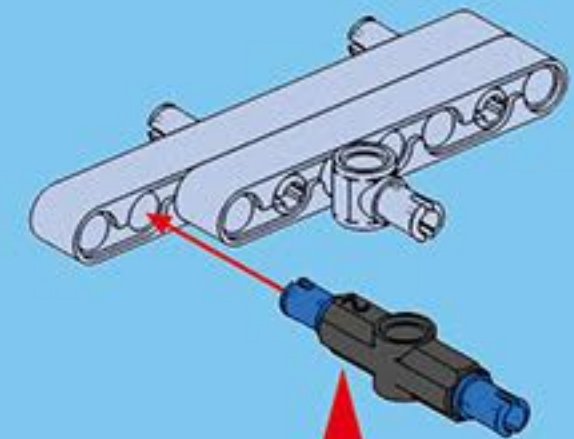




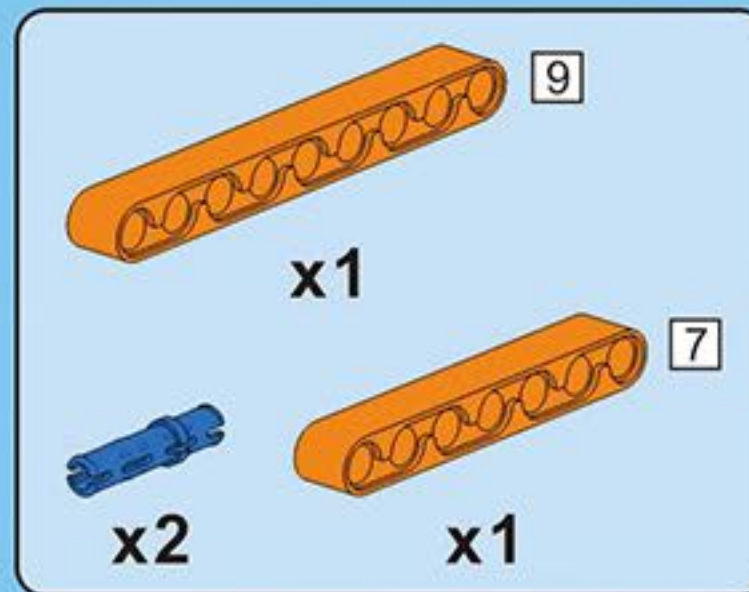
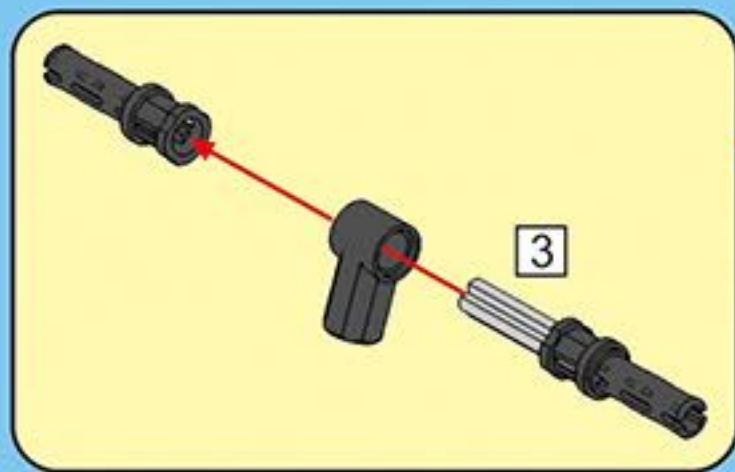
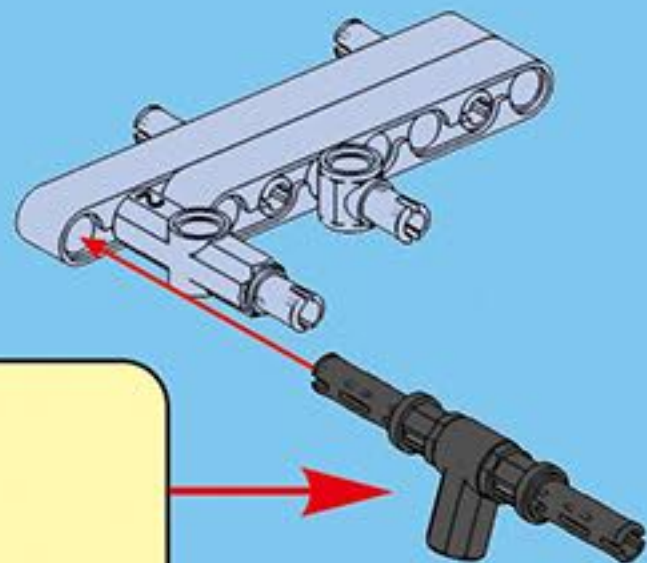
C54



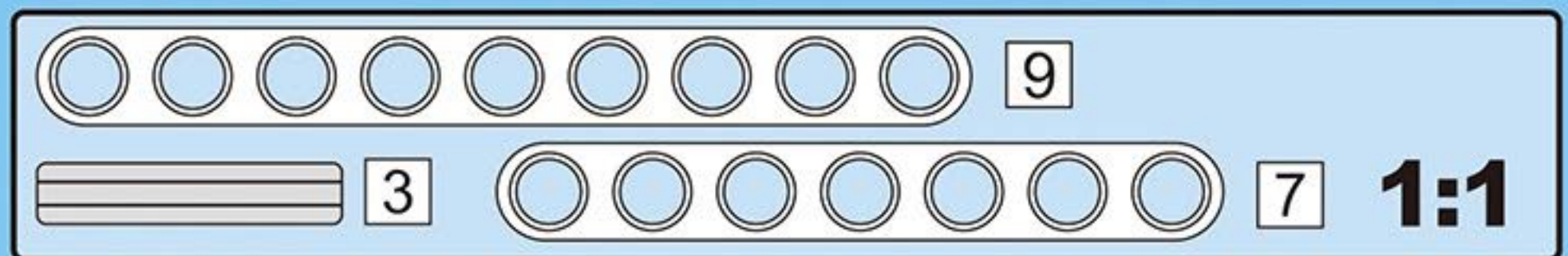
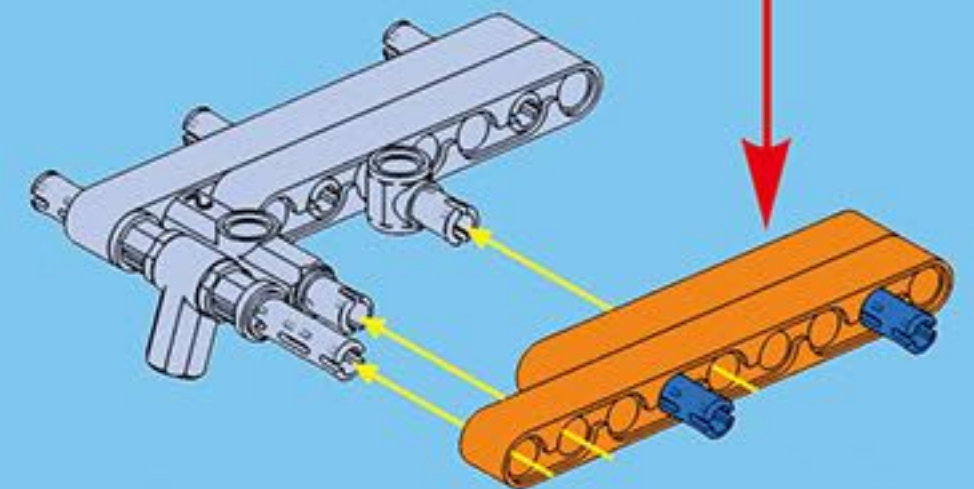
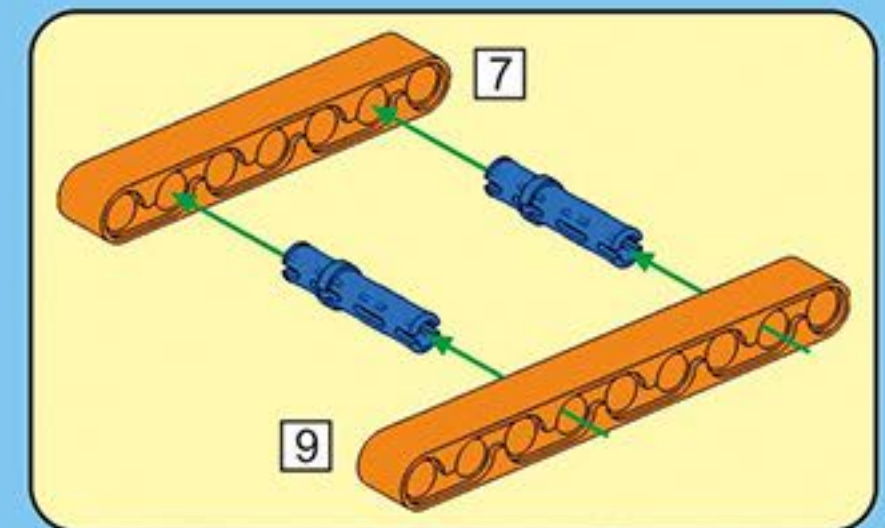
C55

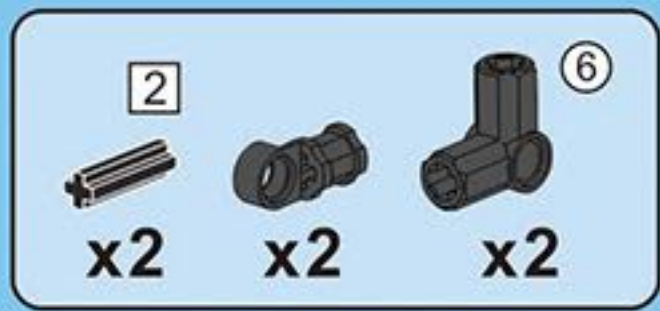


C56

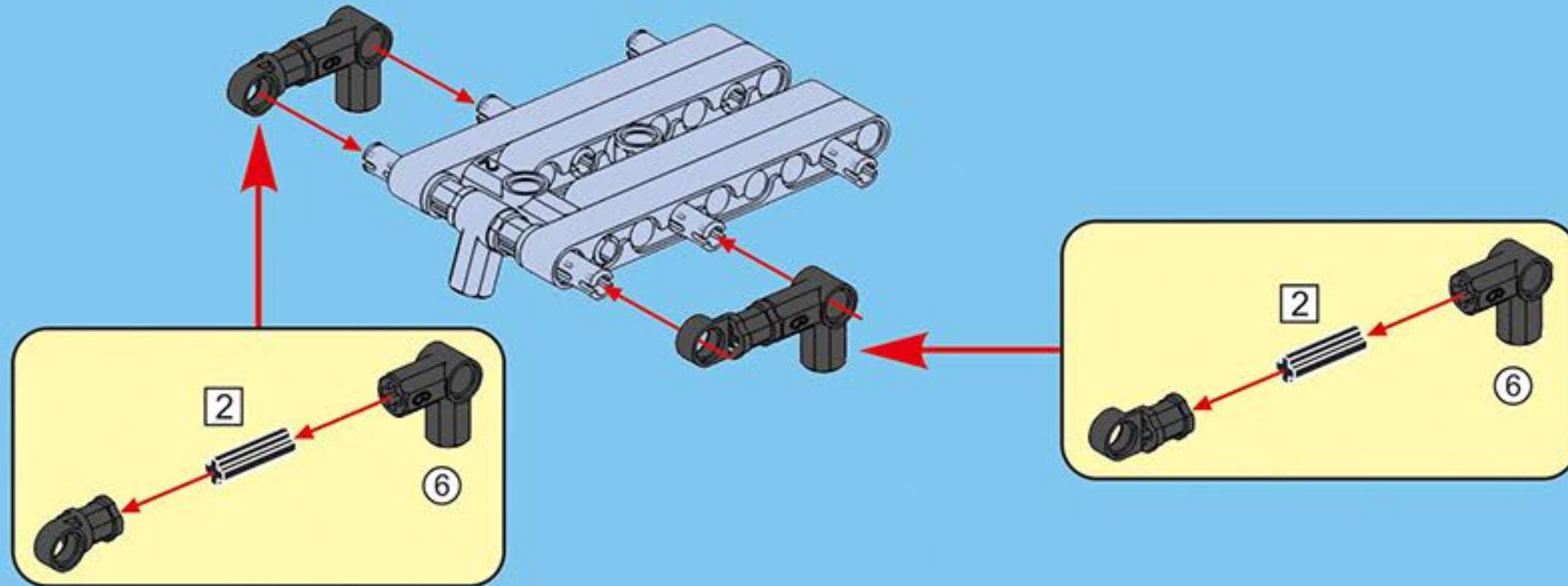


C57

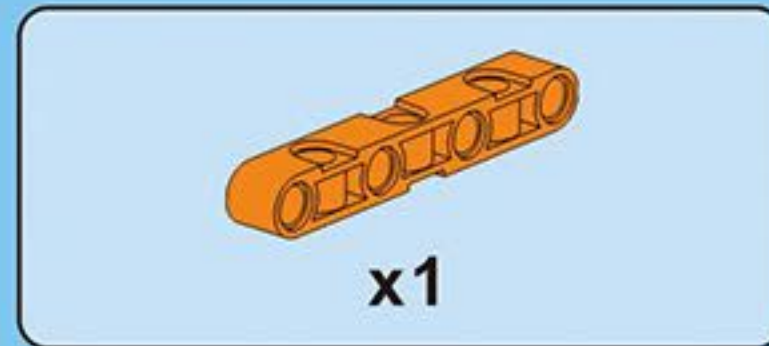
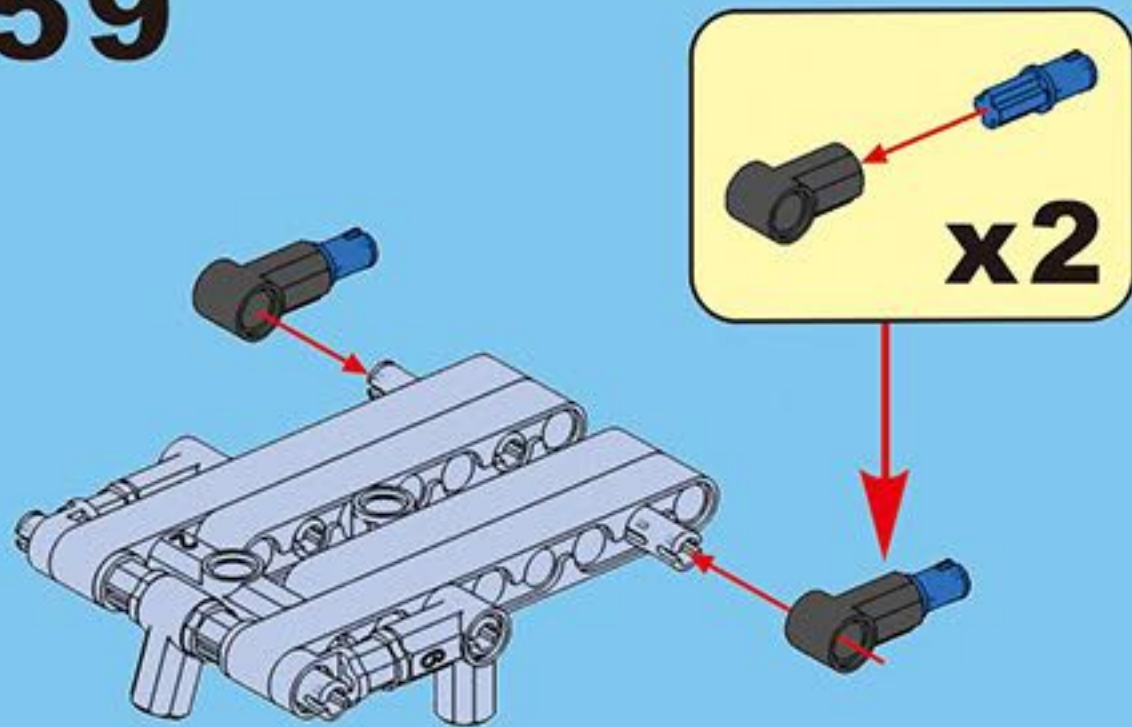




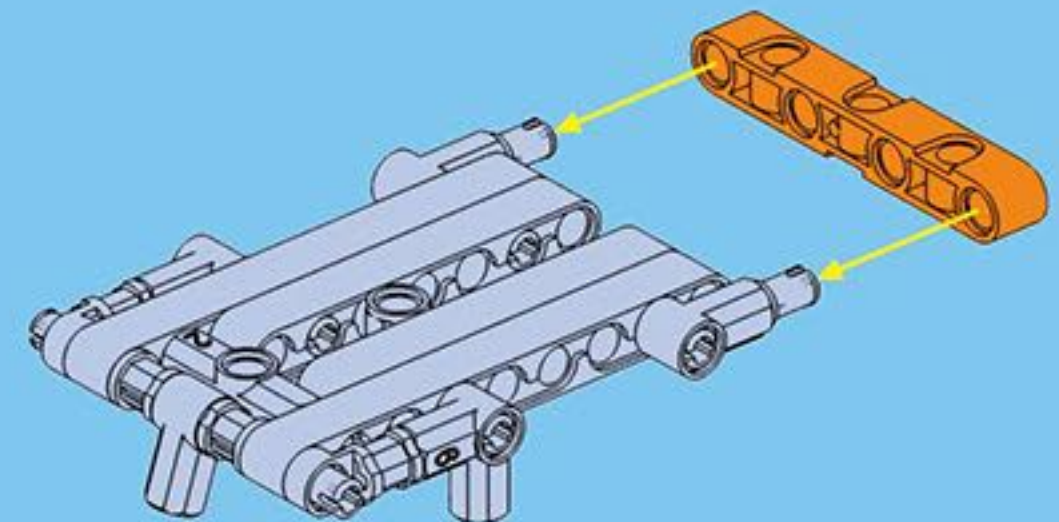
C58

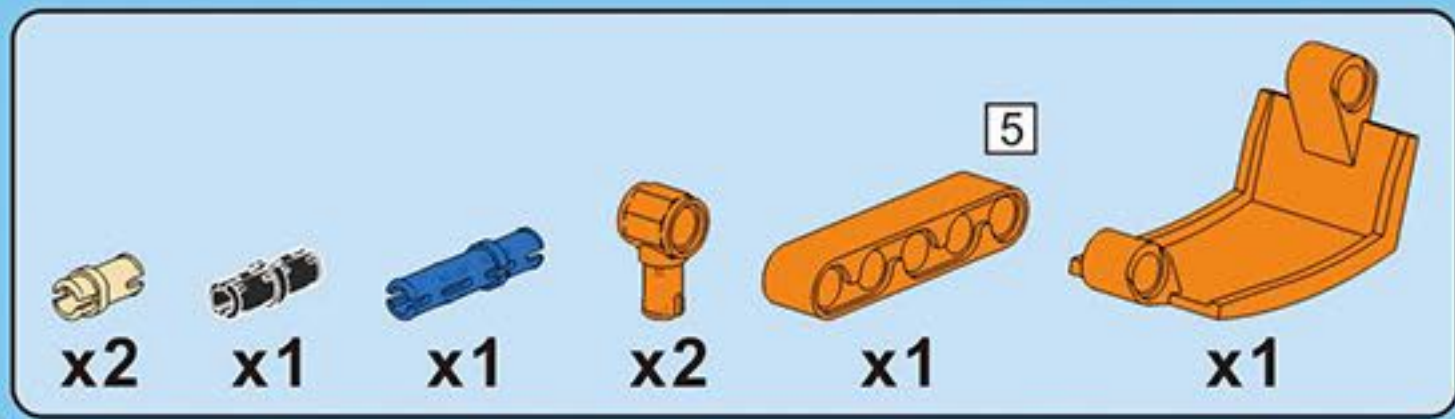


C59

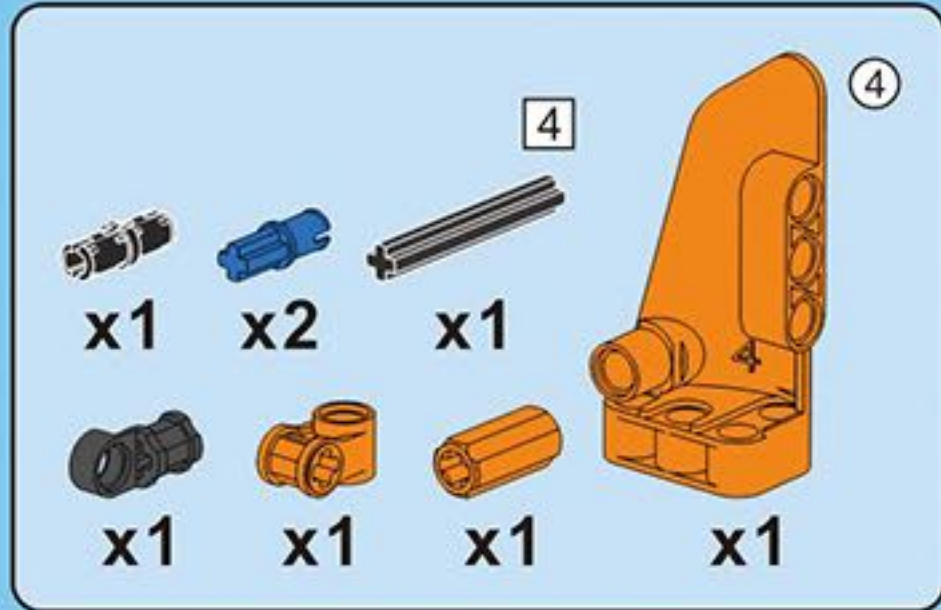
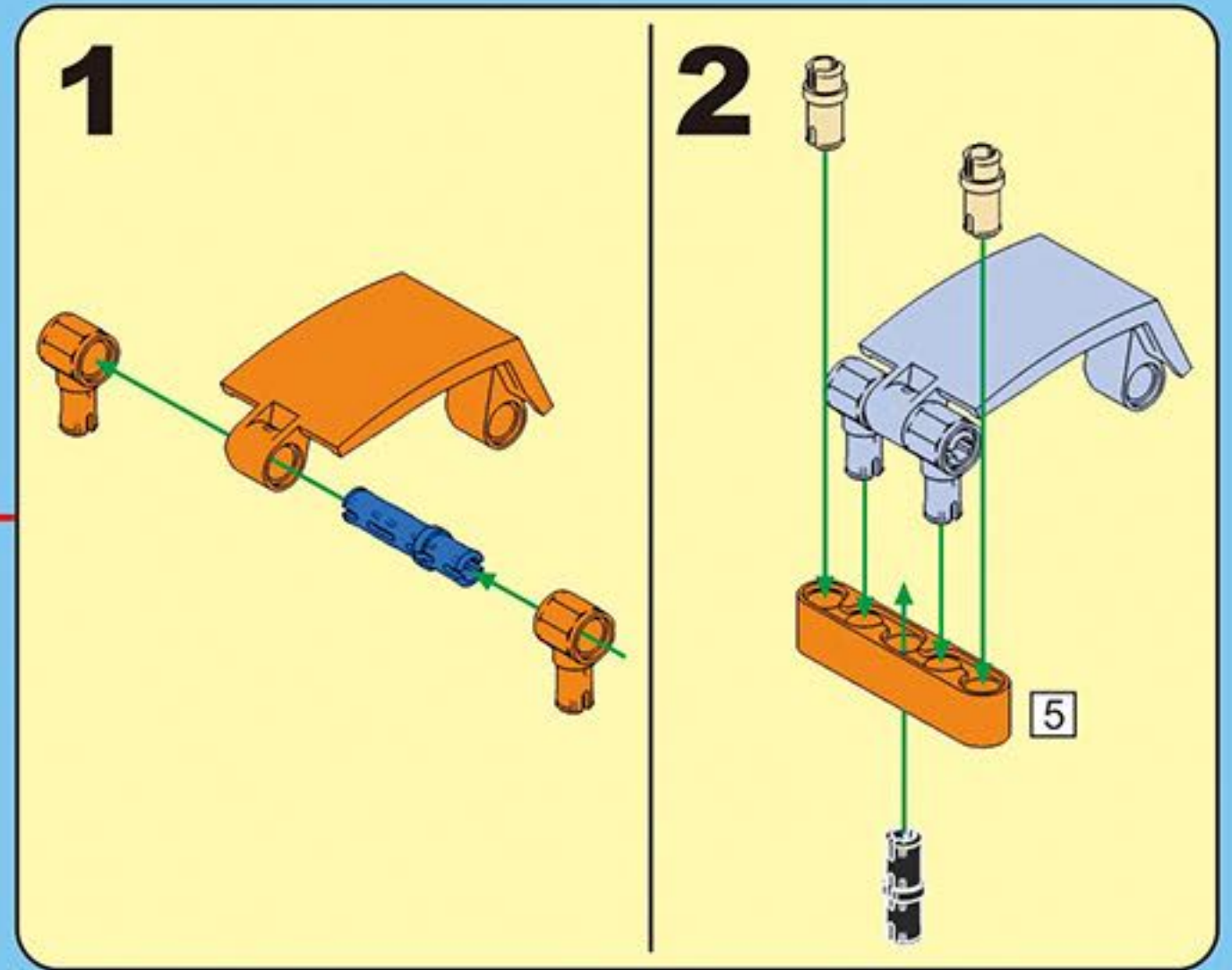
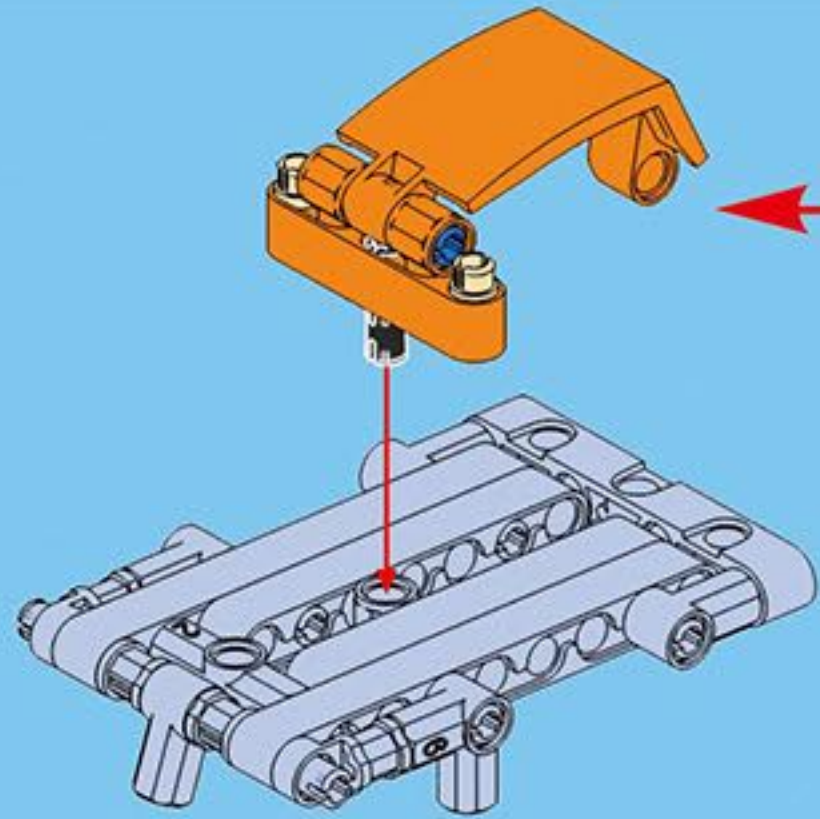


C60

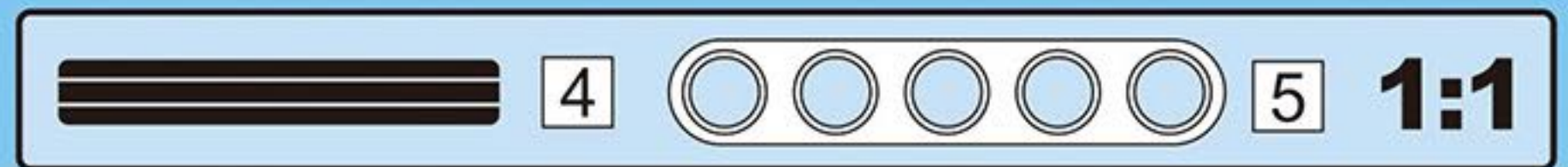
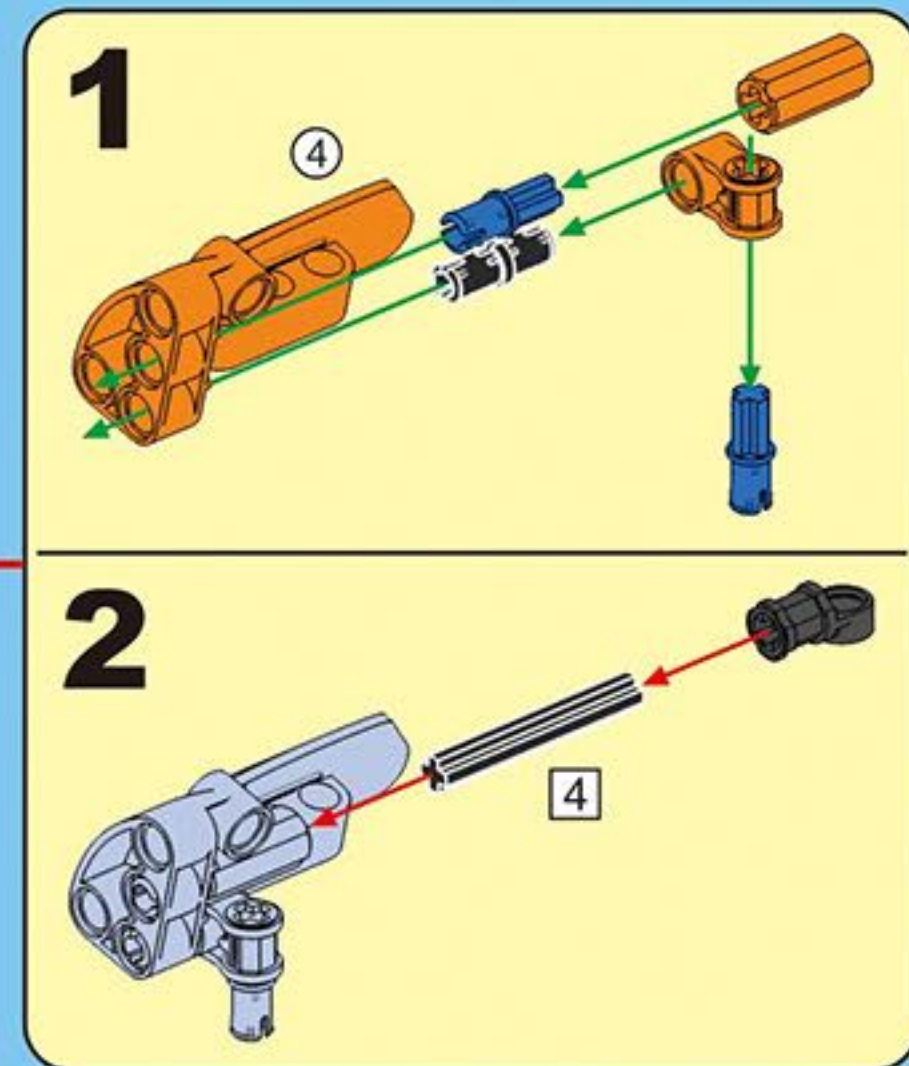
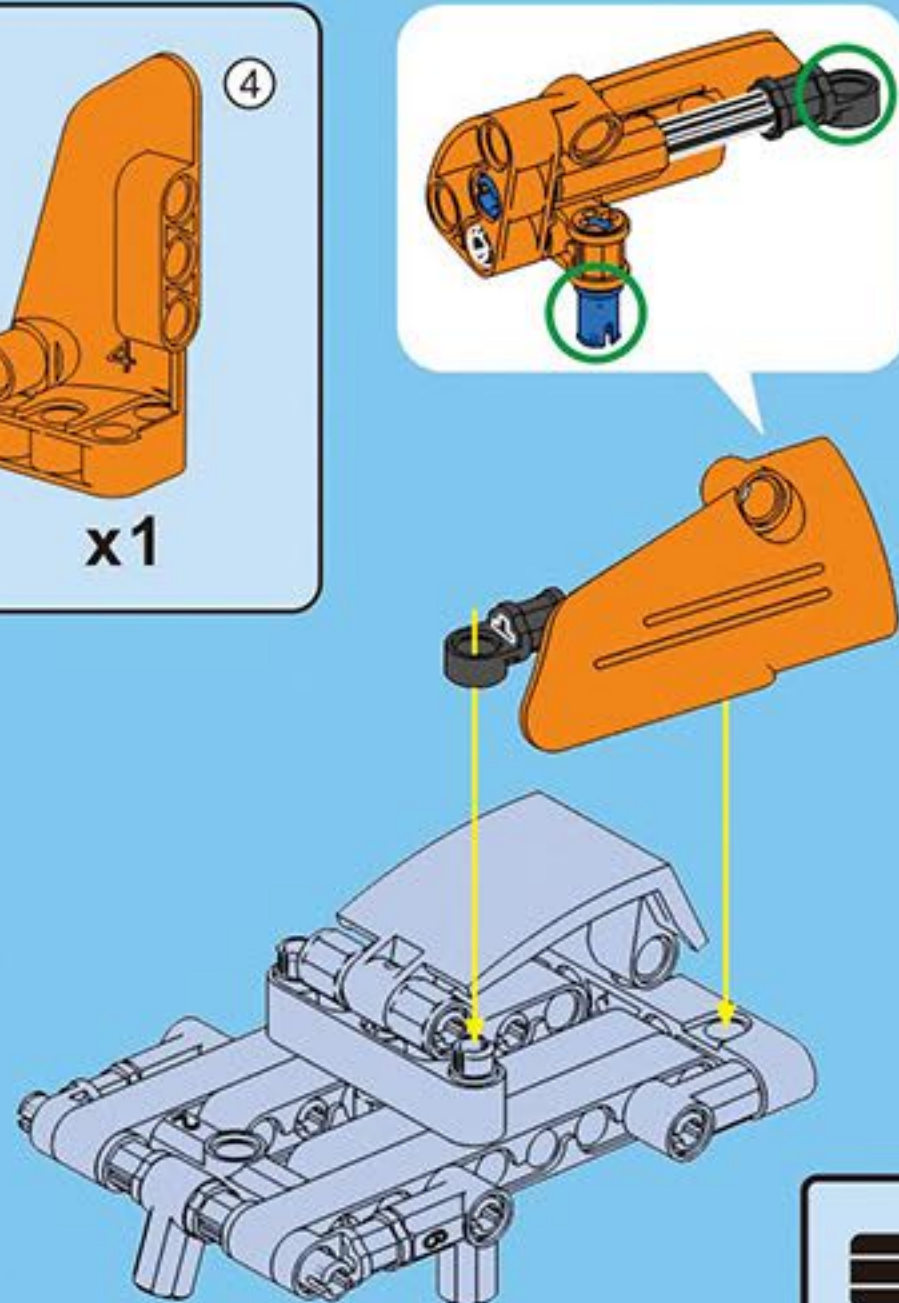


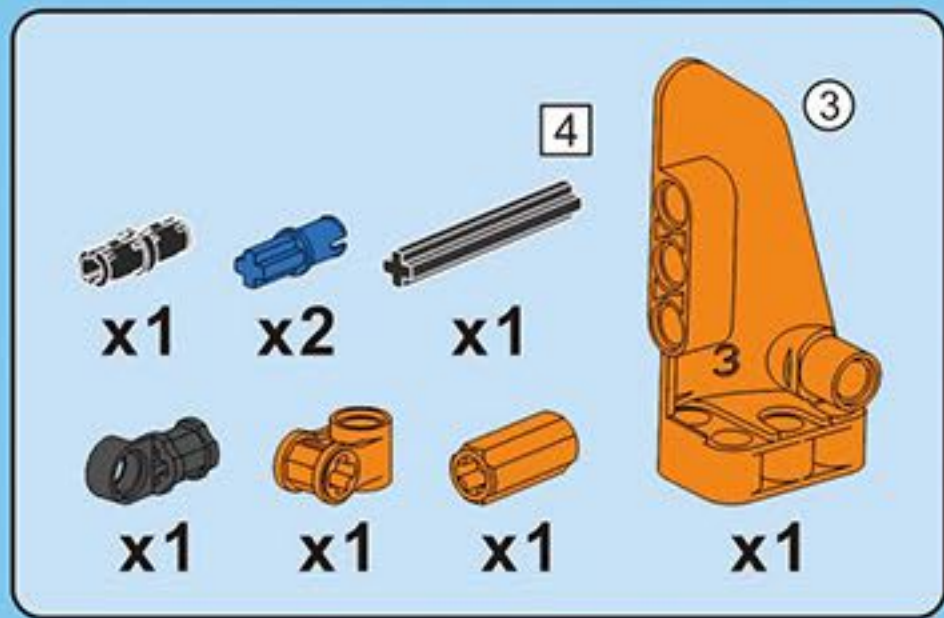


C61

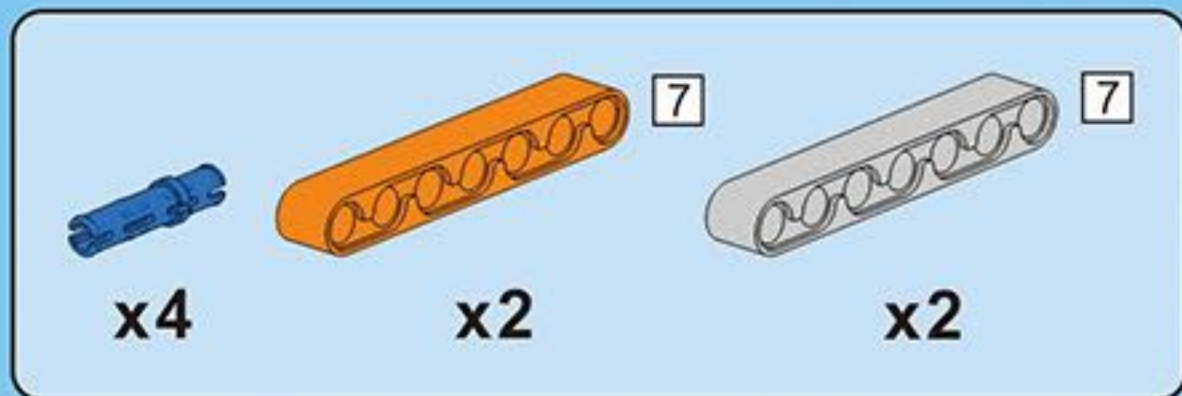
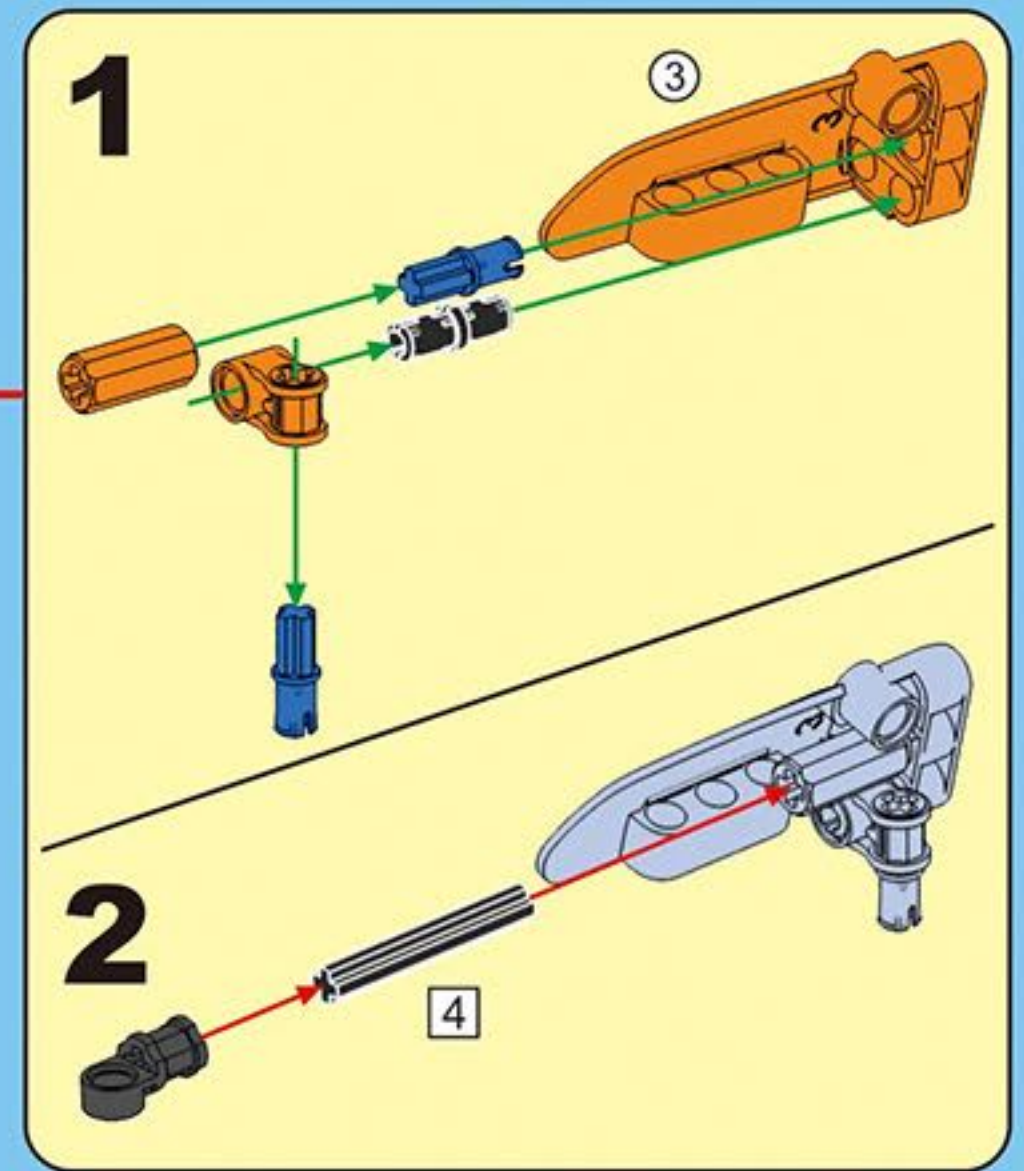
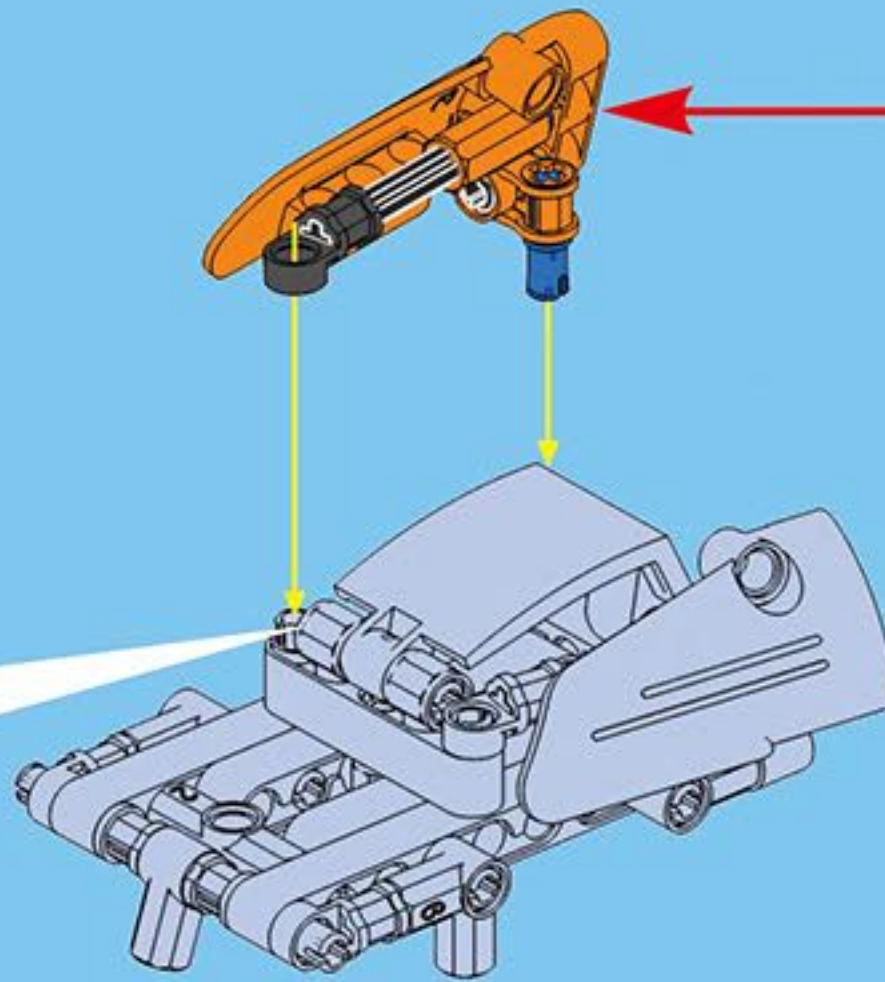
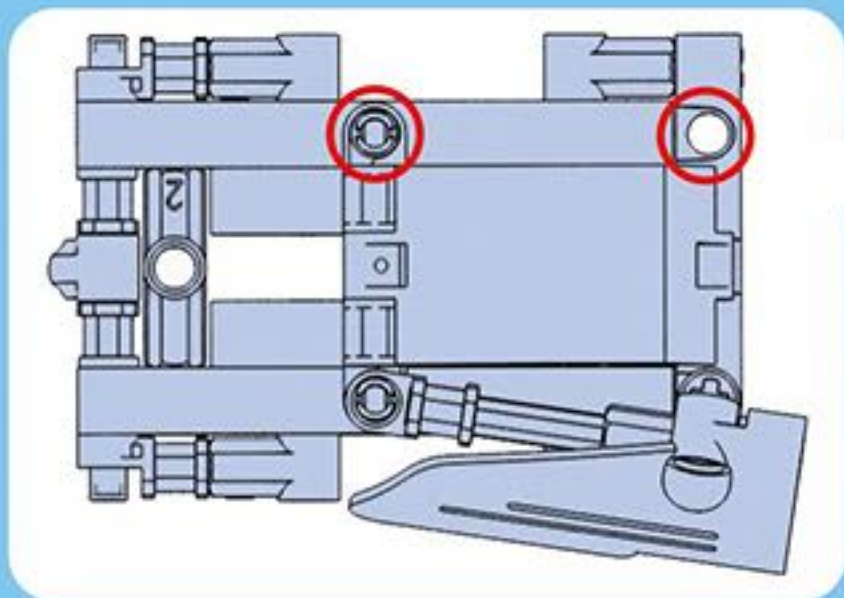


C62

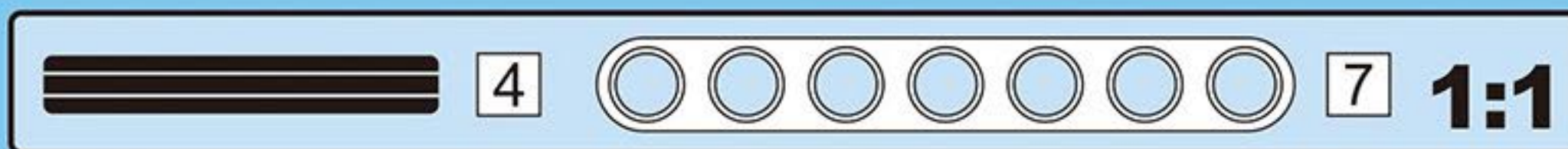
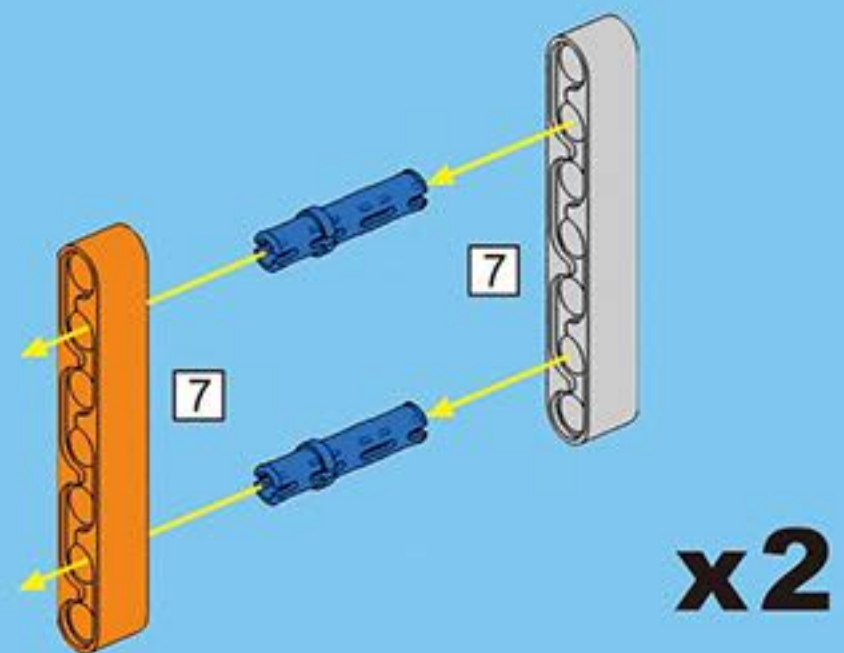


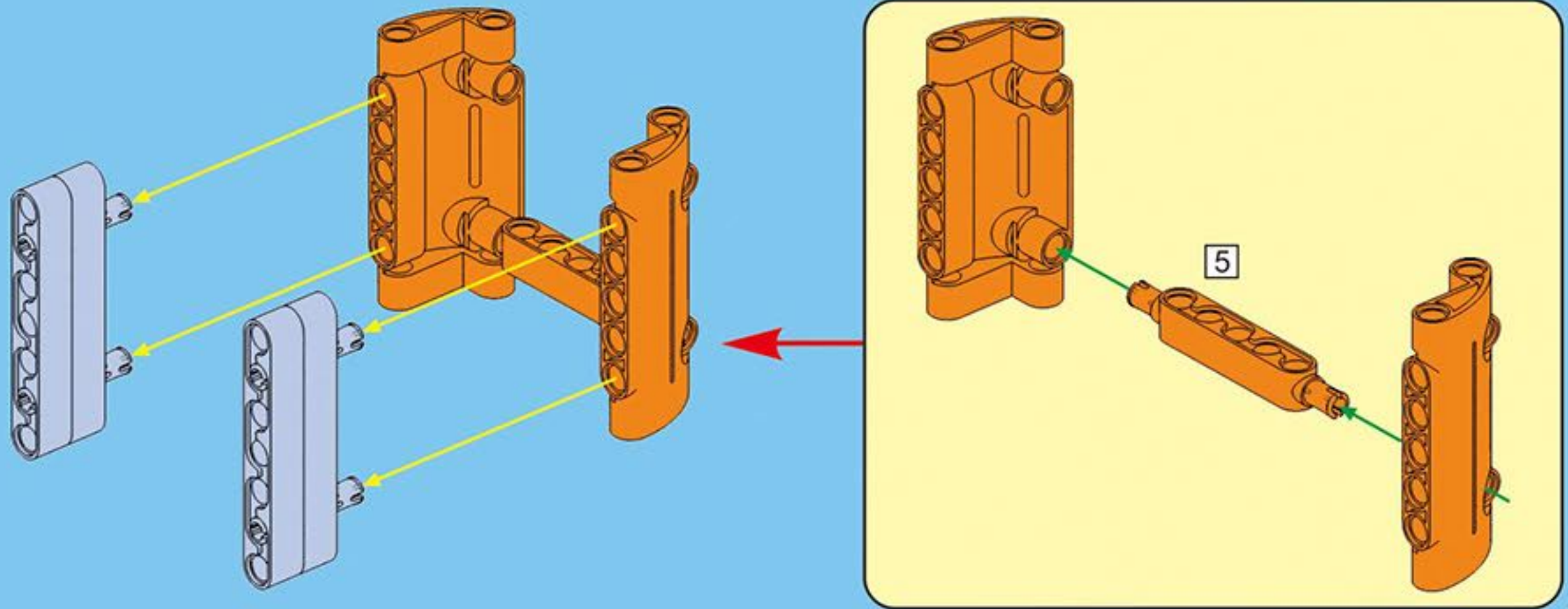
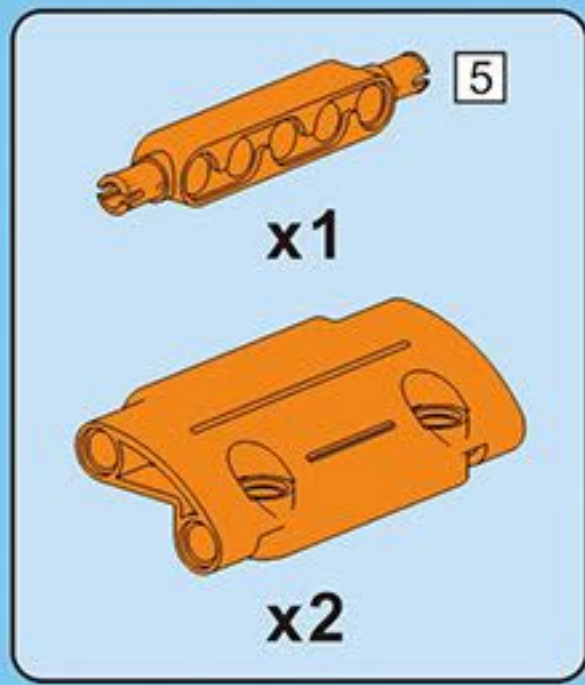


C63

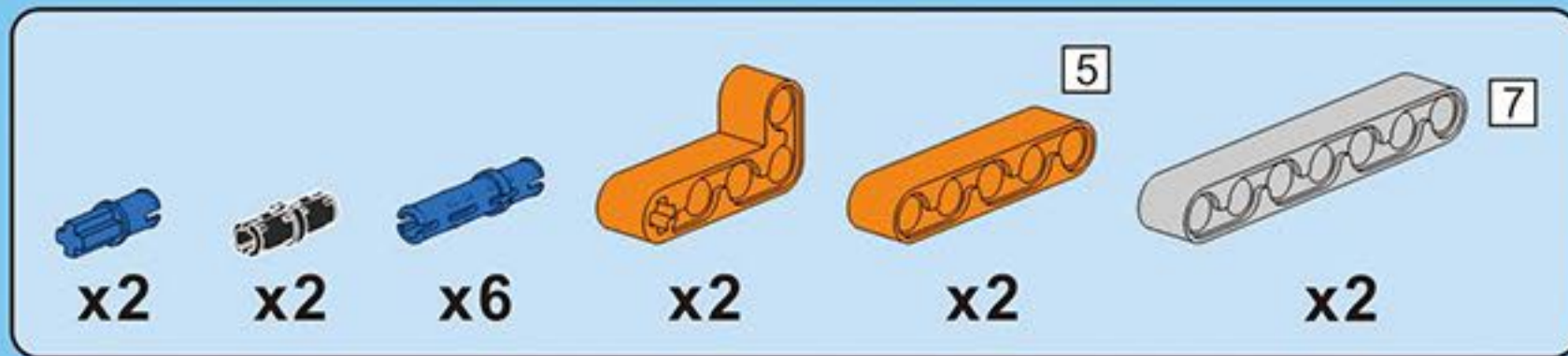


C64

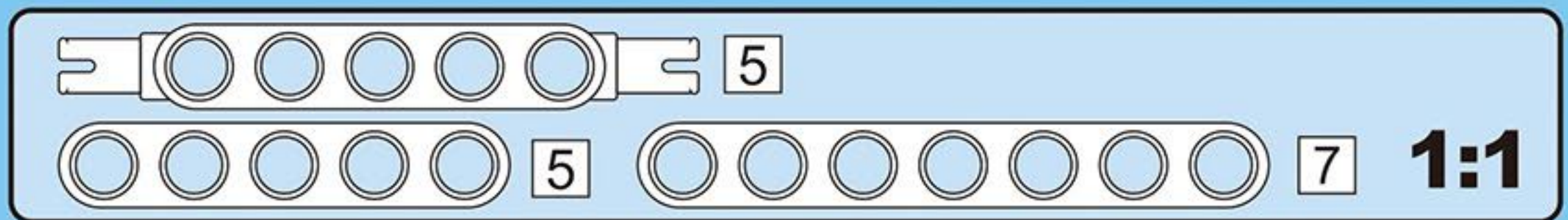
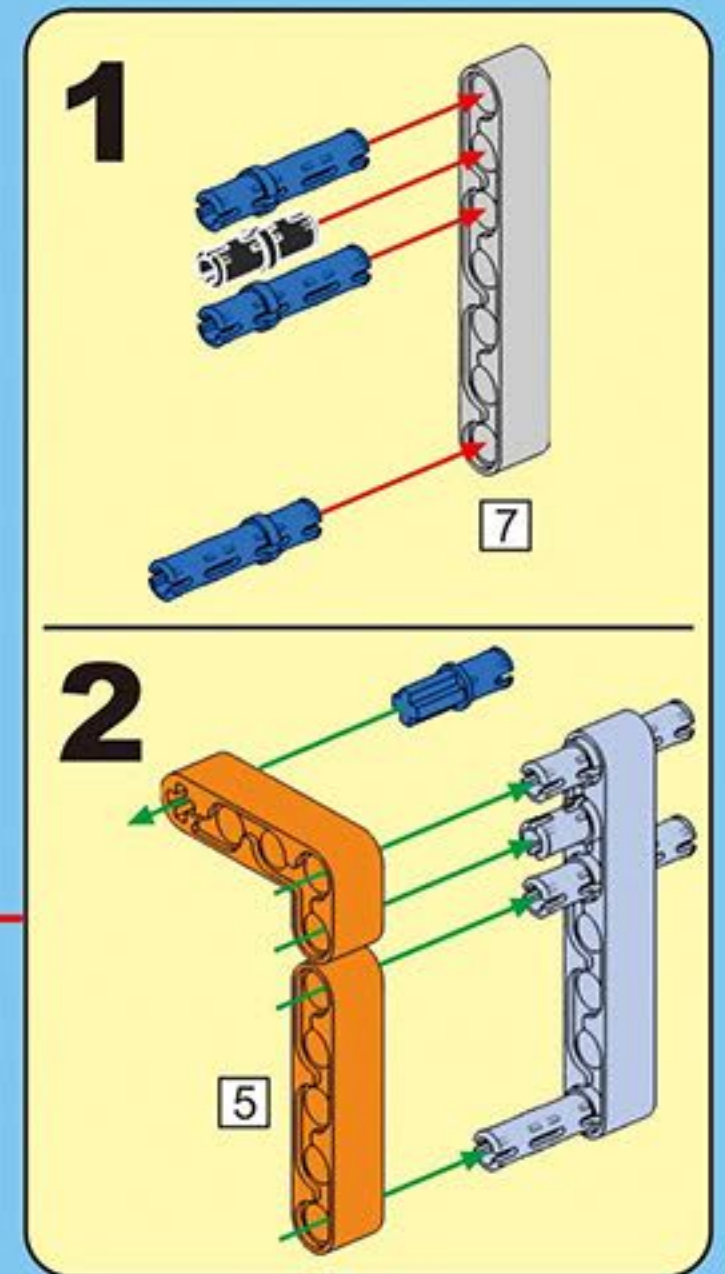
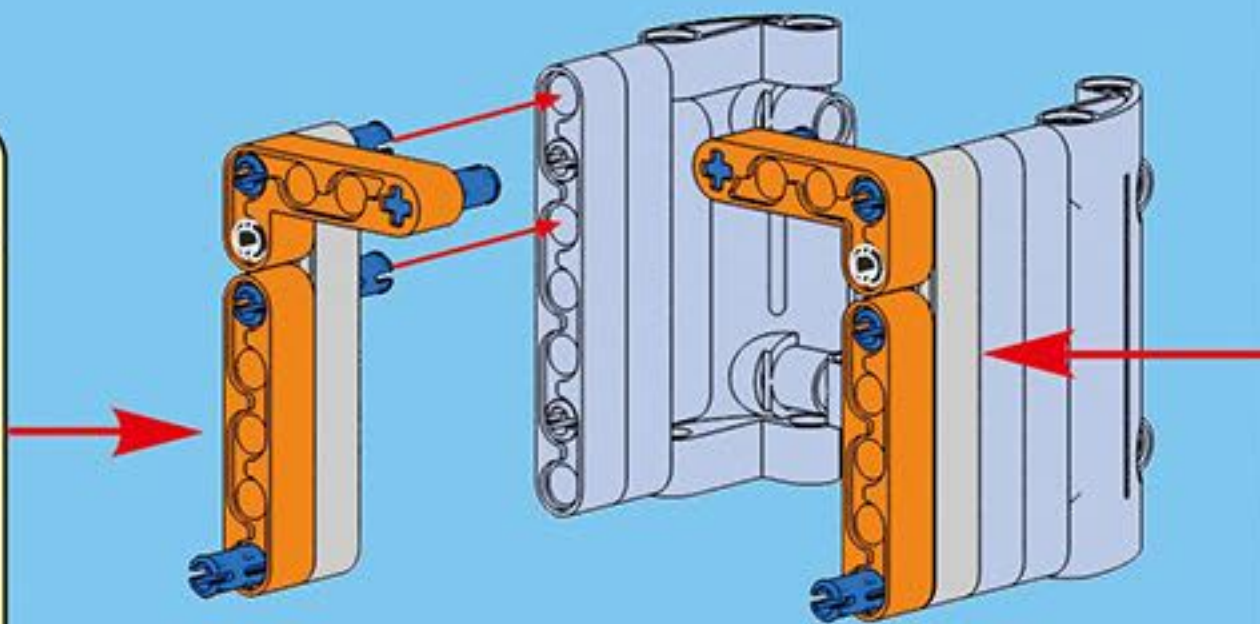
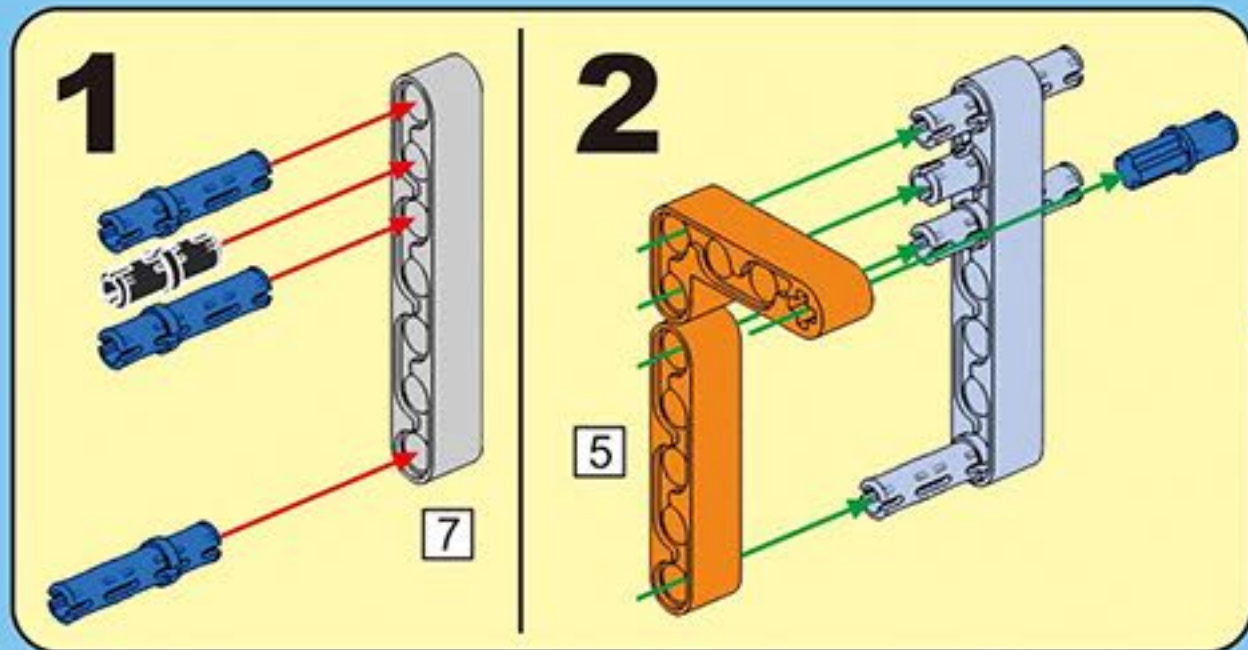


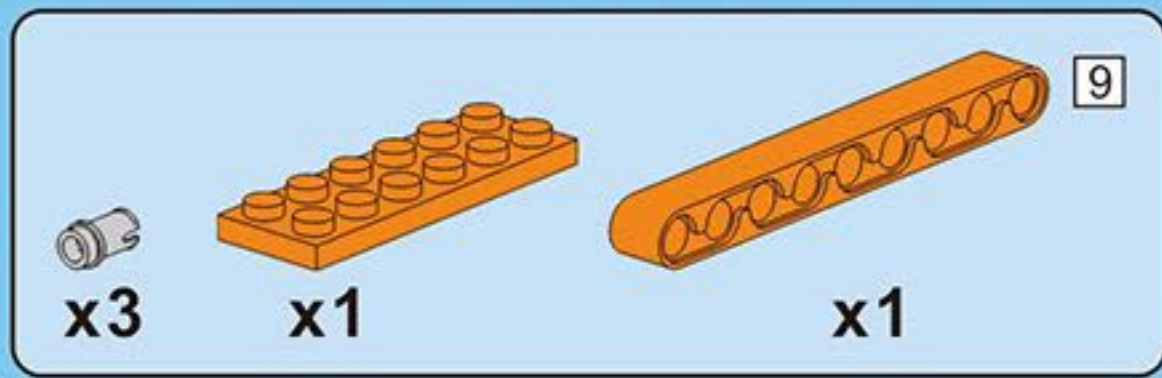


C65

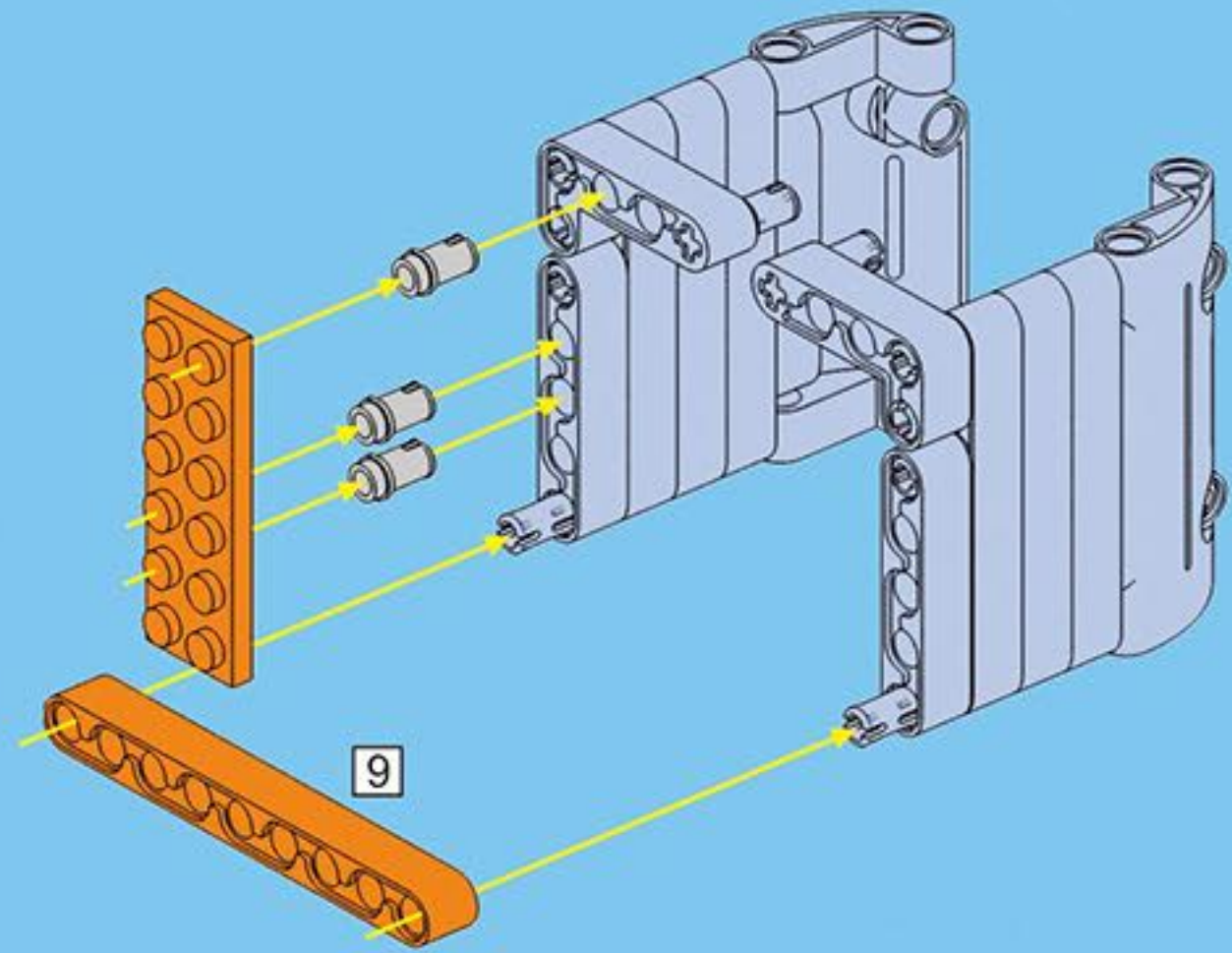


C66

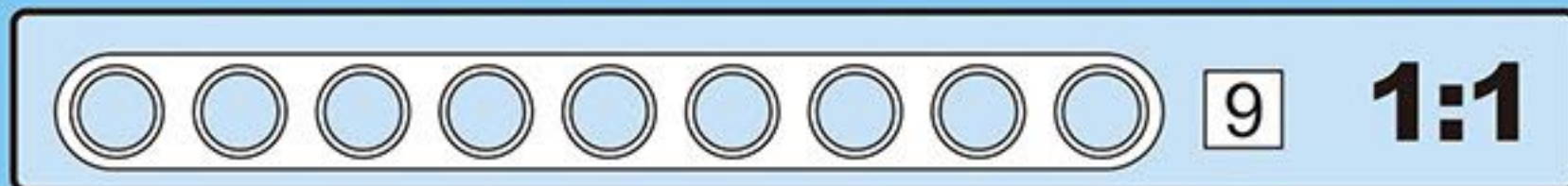
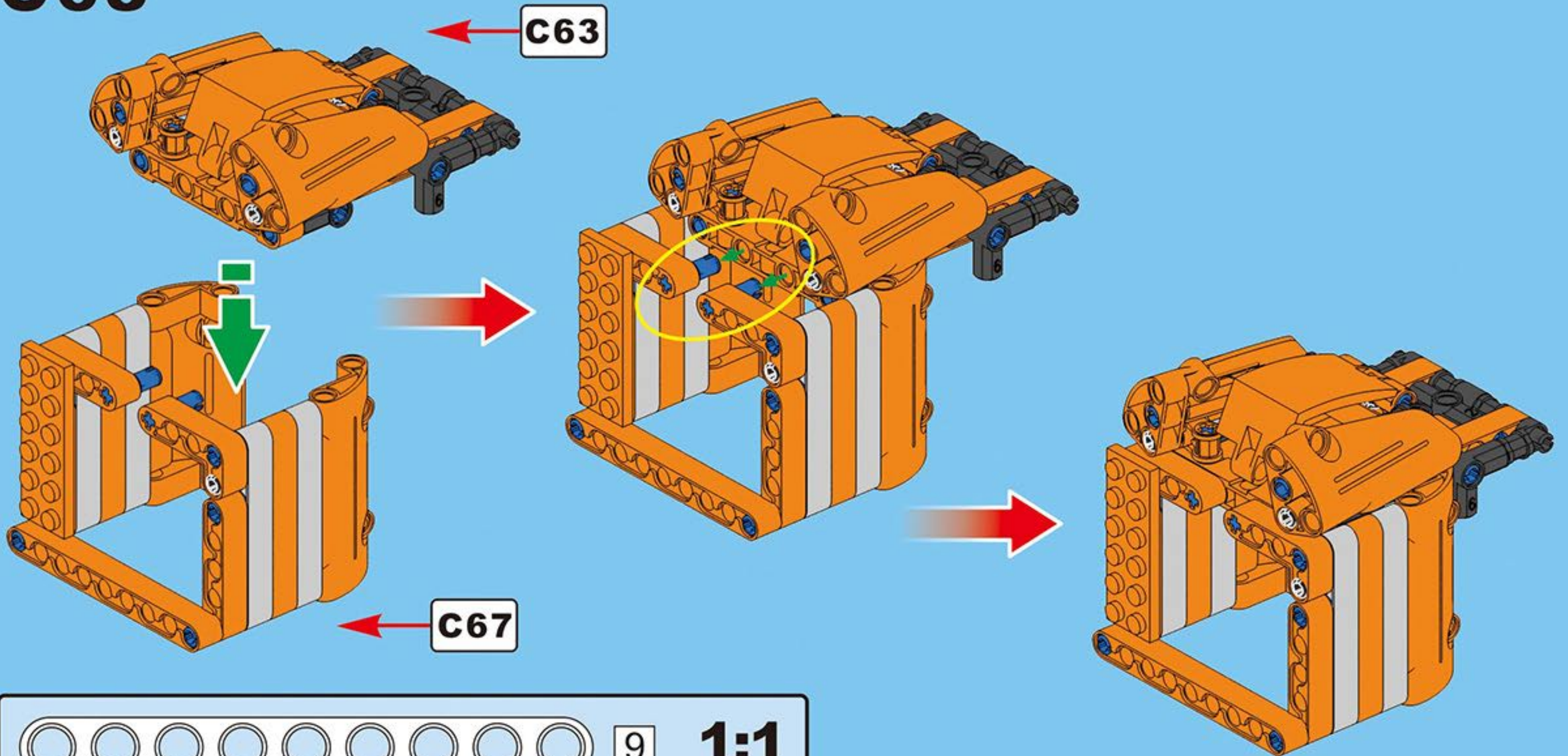




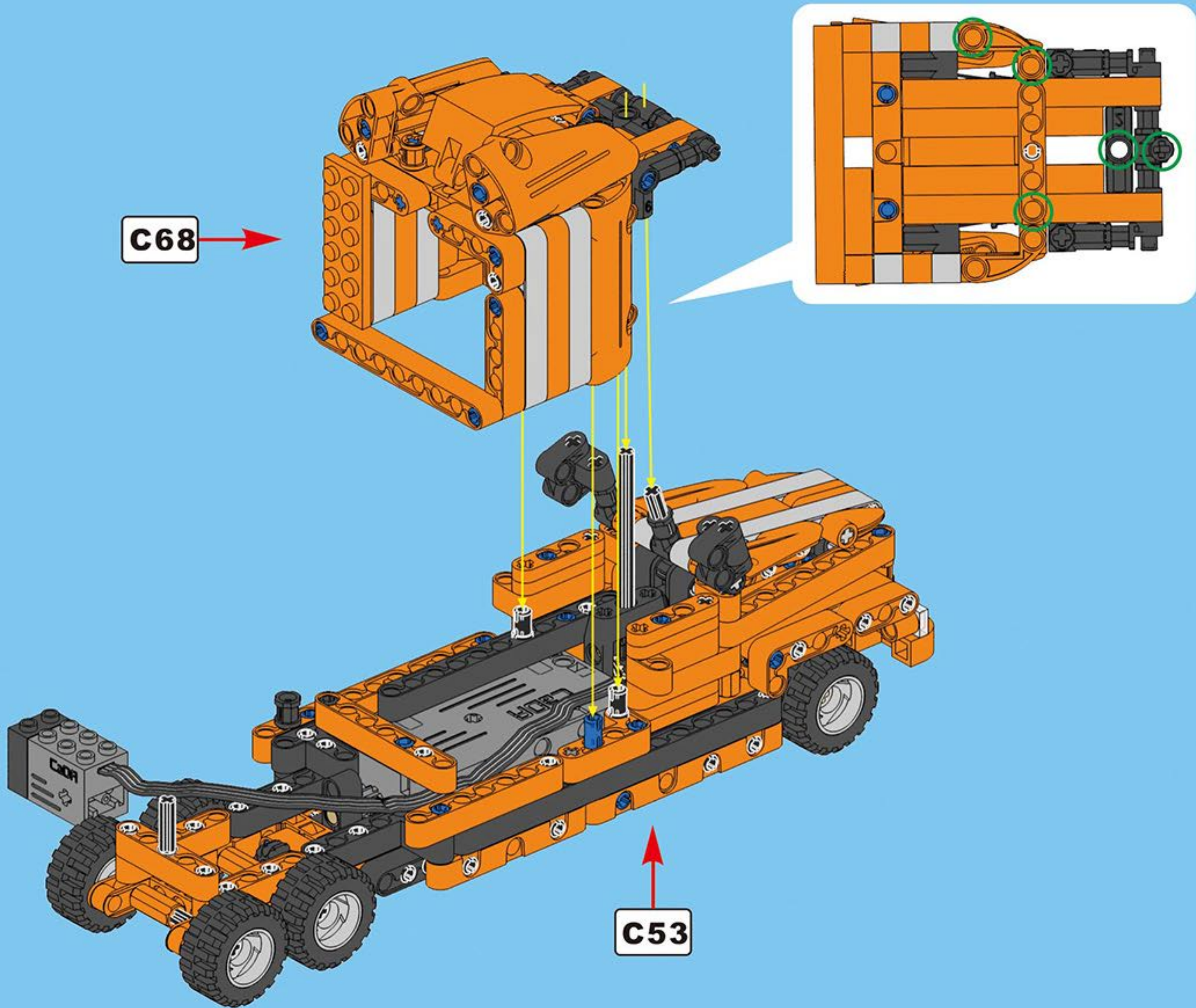
C67



C68

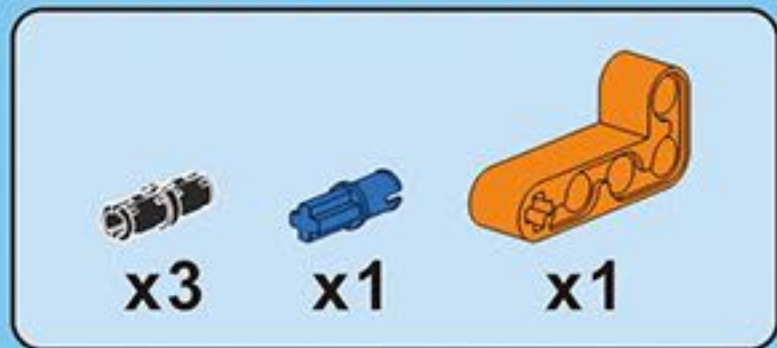
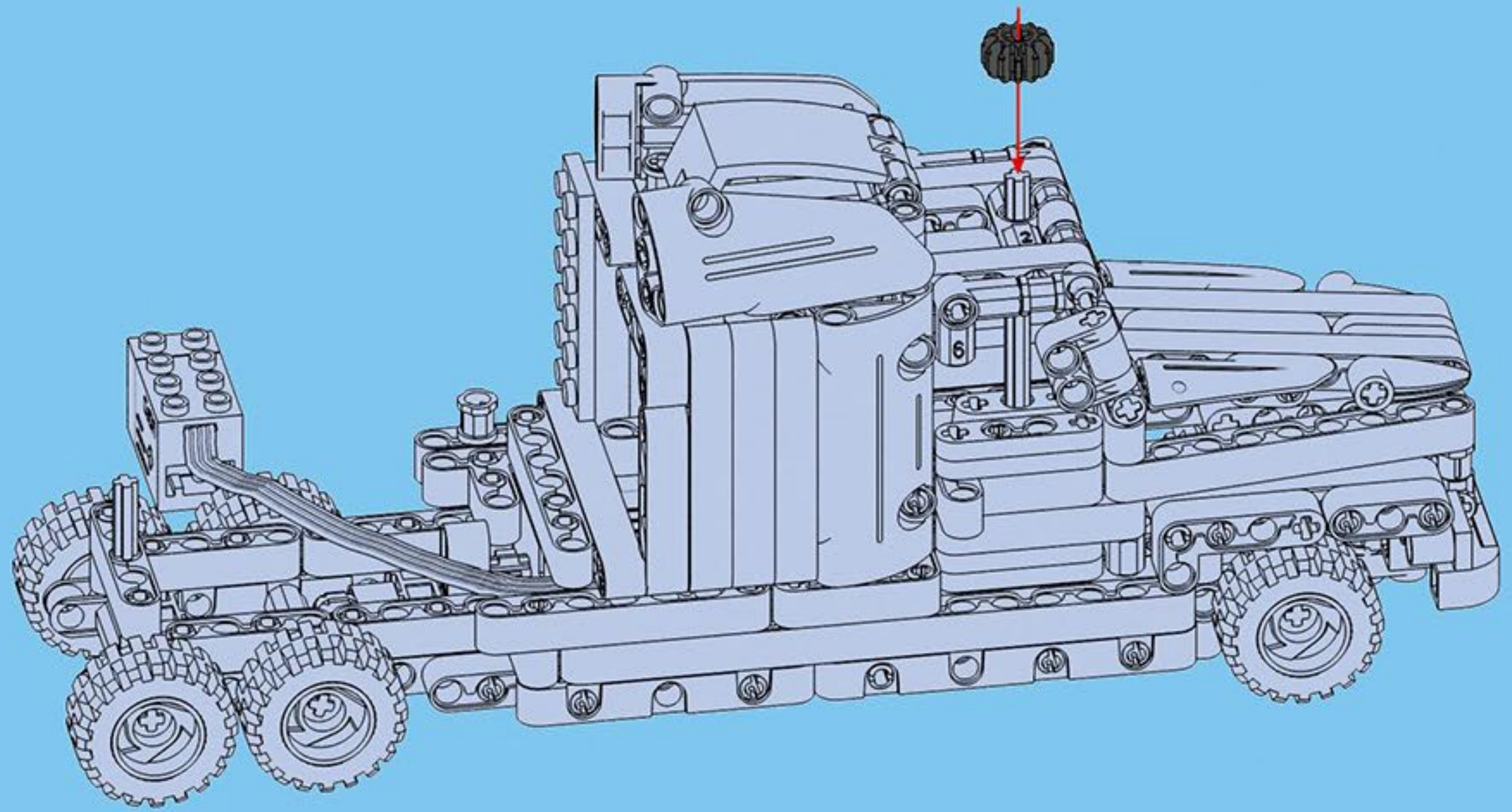


C69

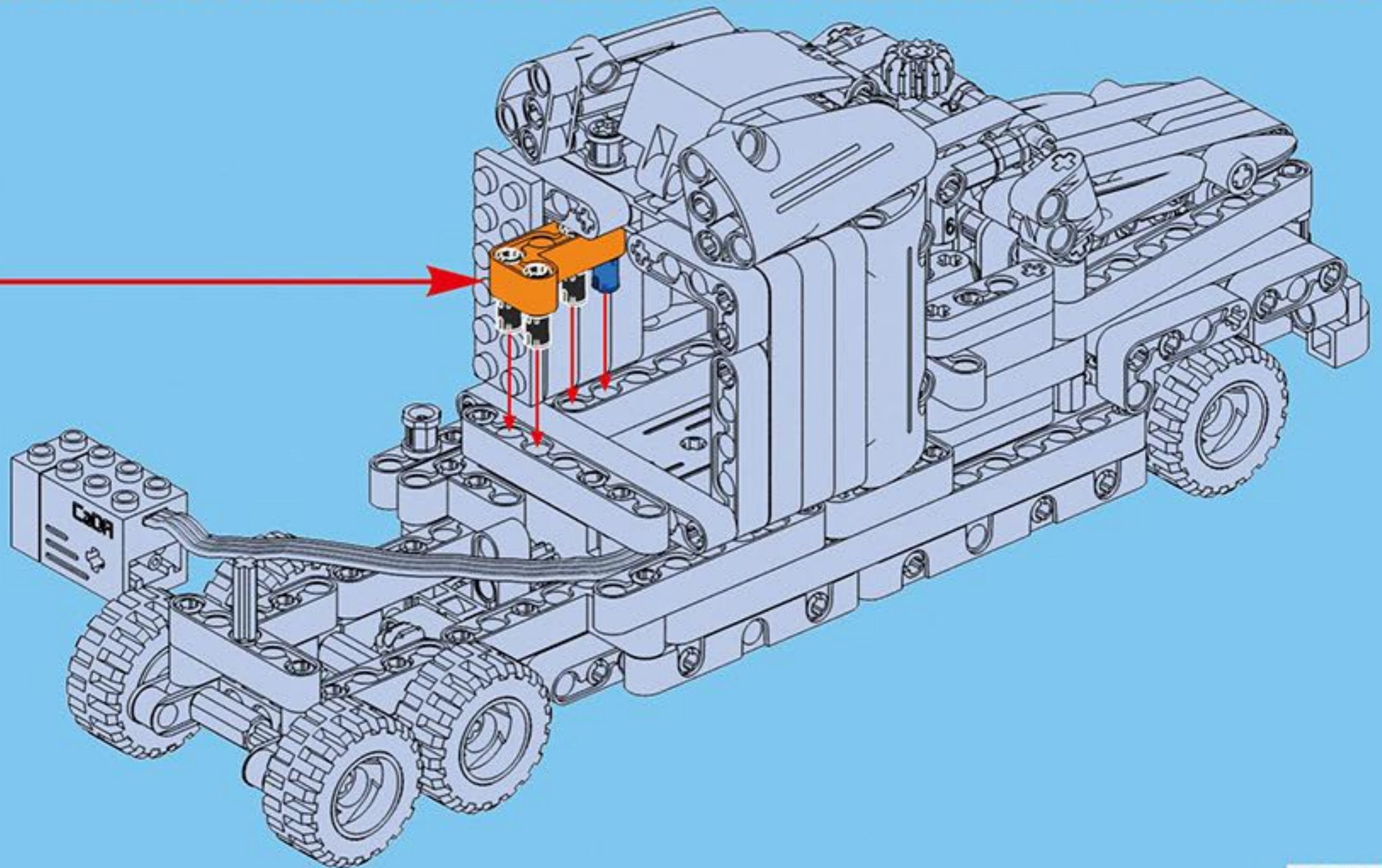
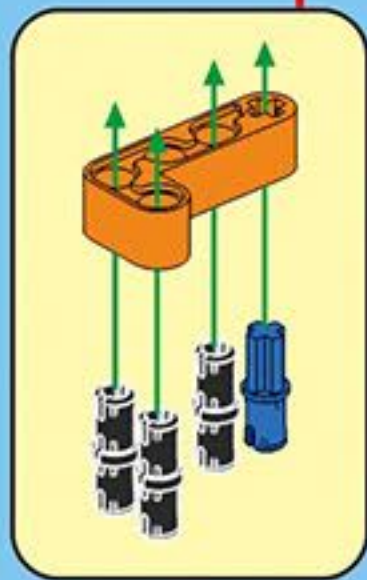




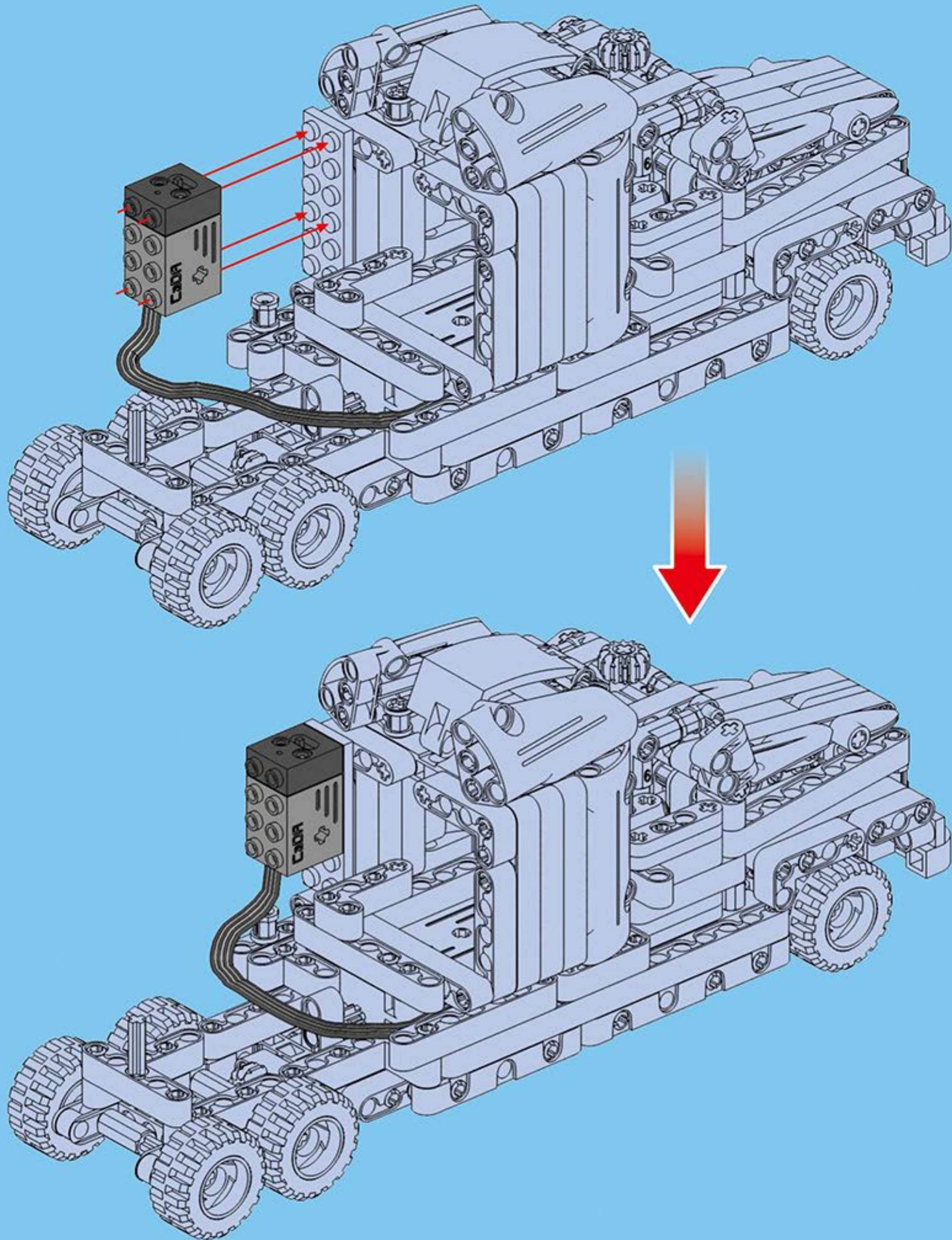
C70



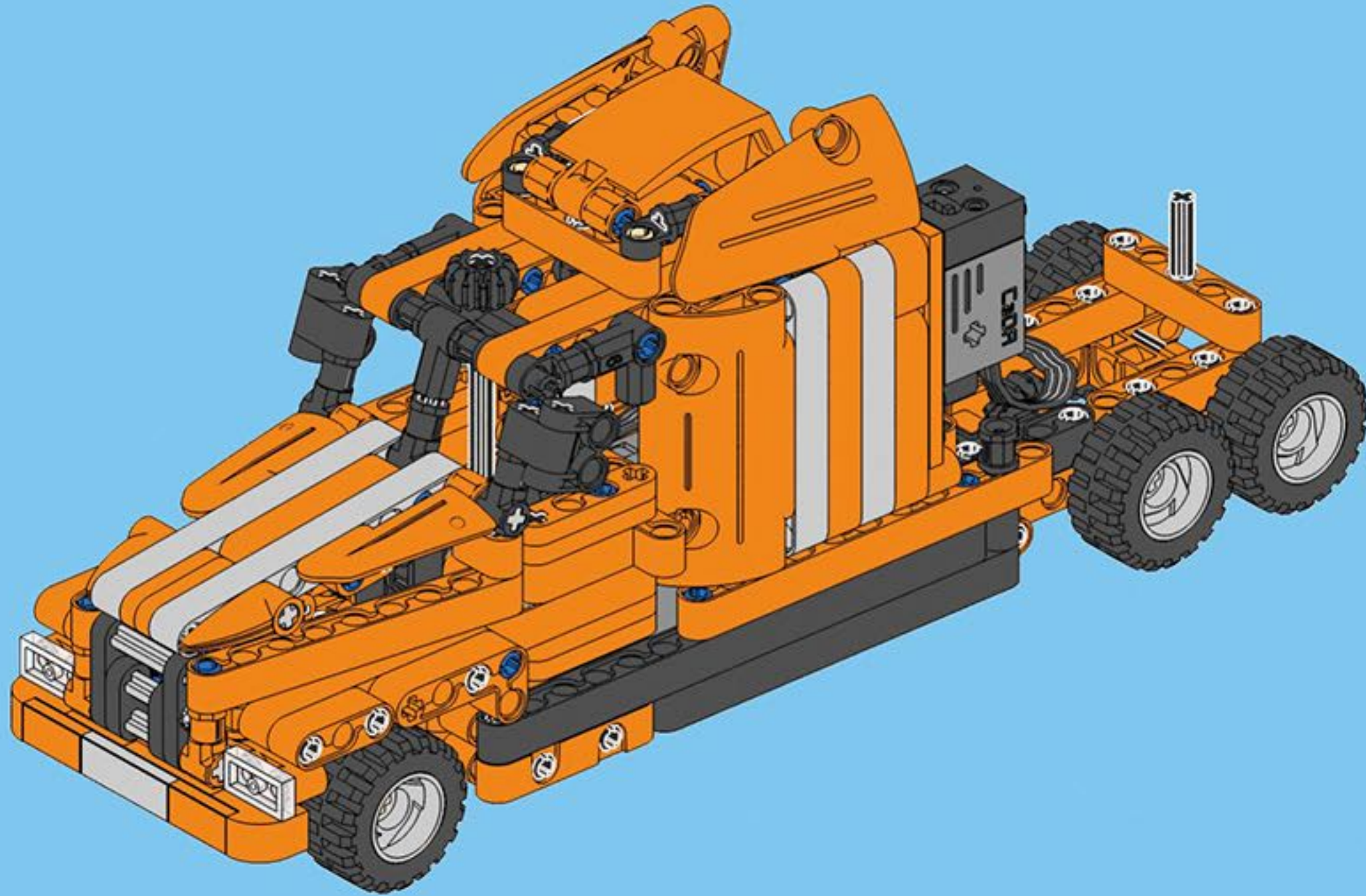
C71

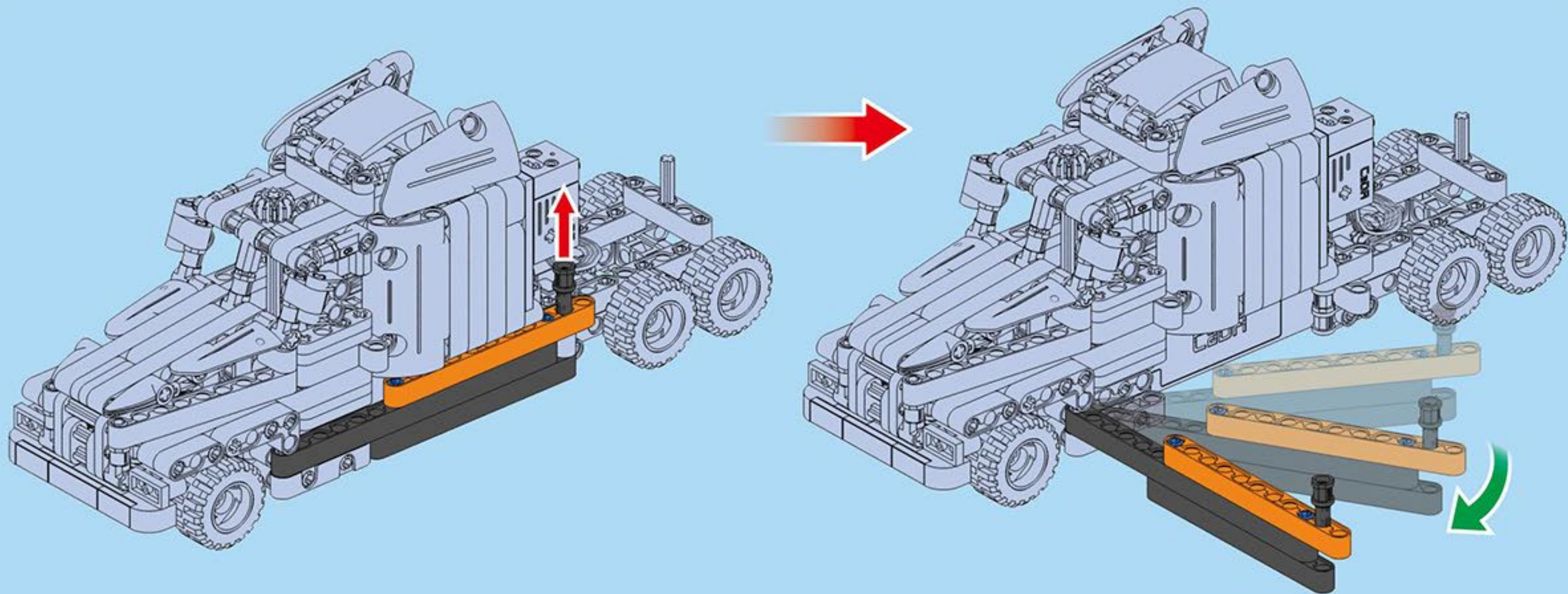


C72

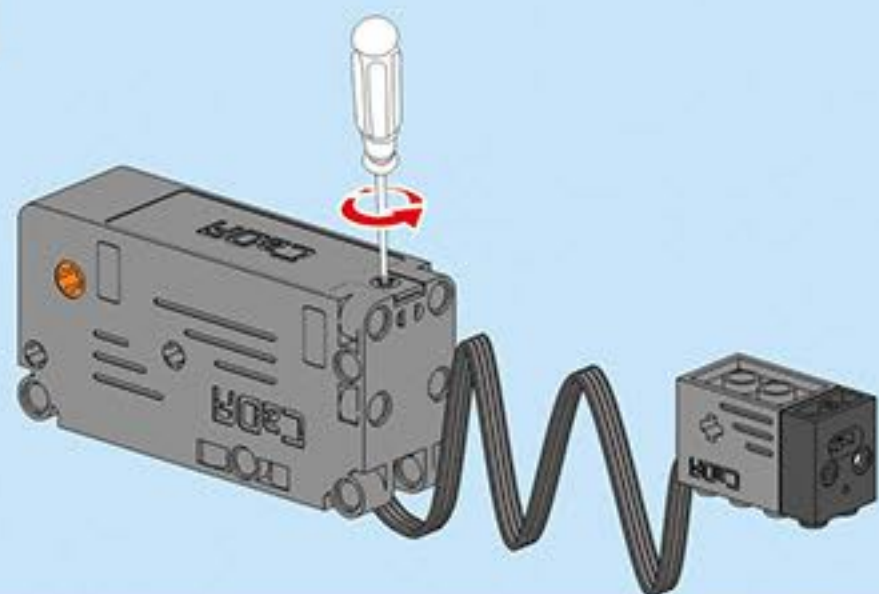


C73

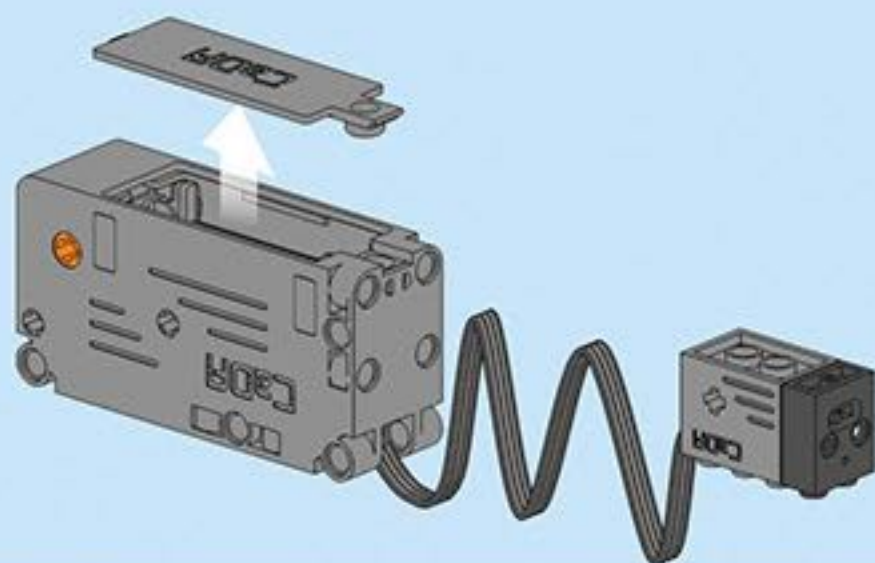




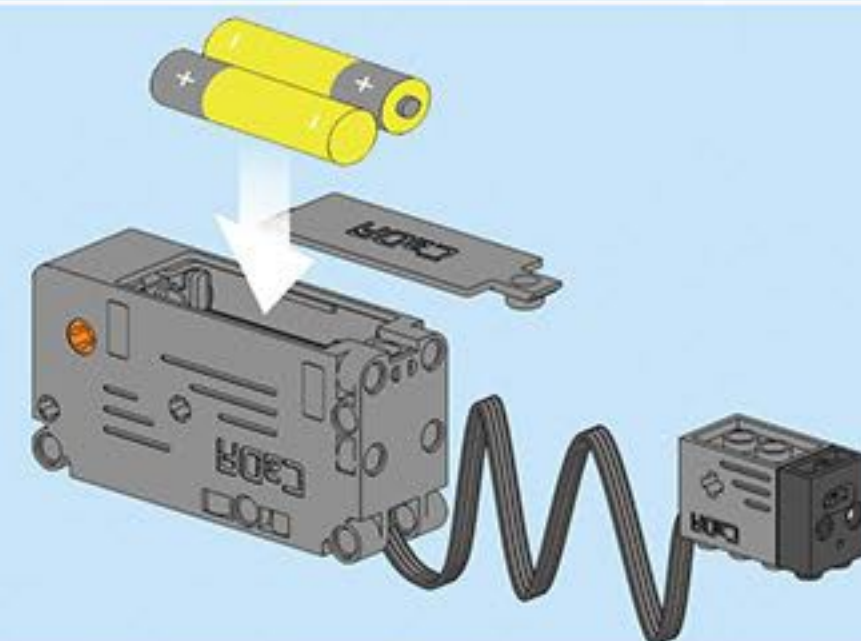
1



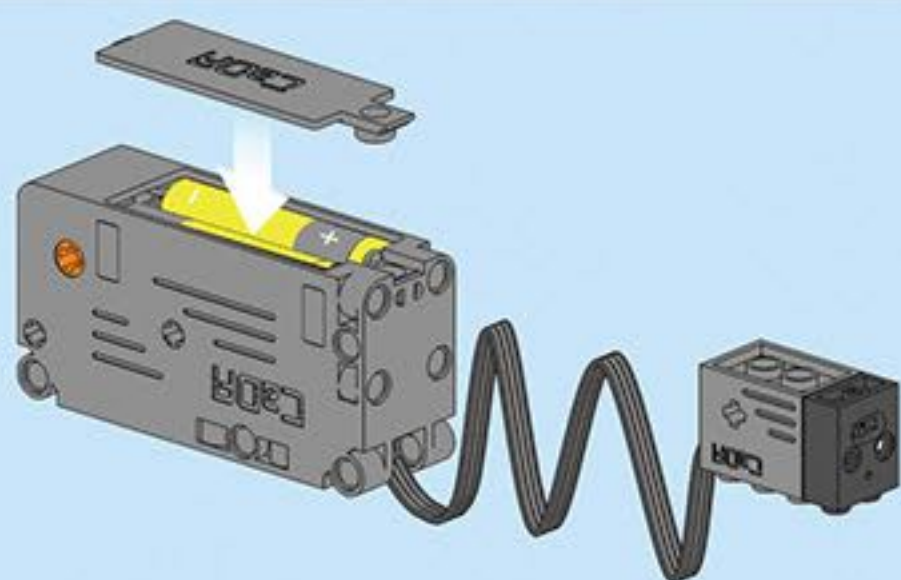
2



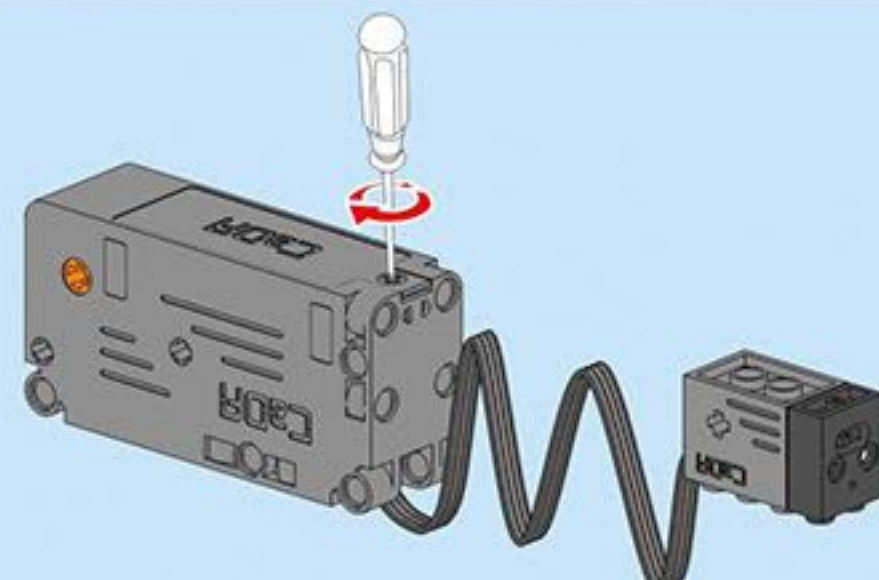
3

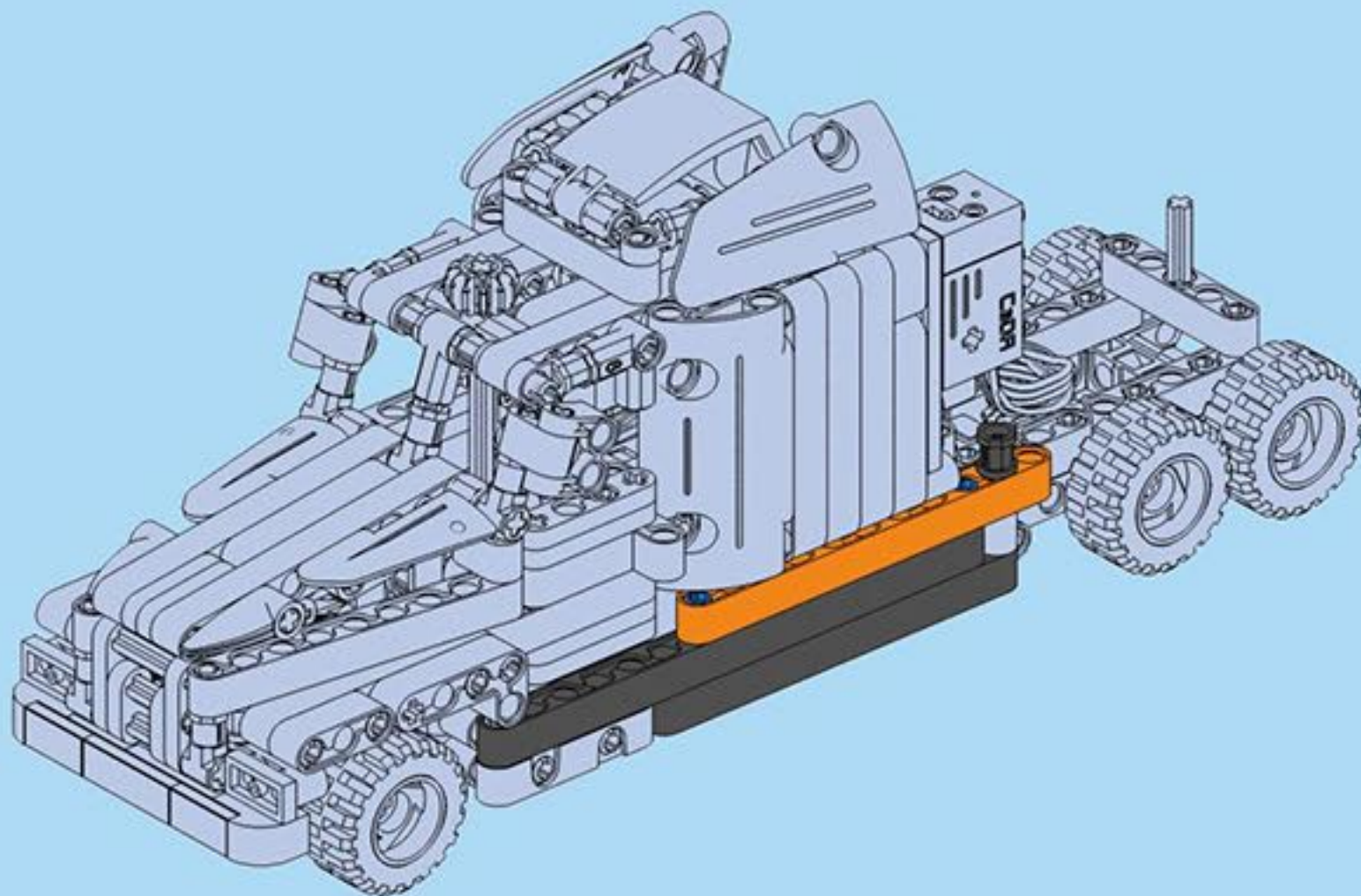
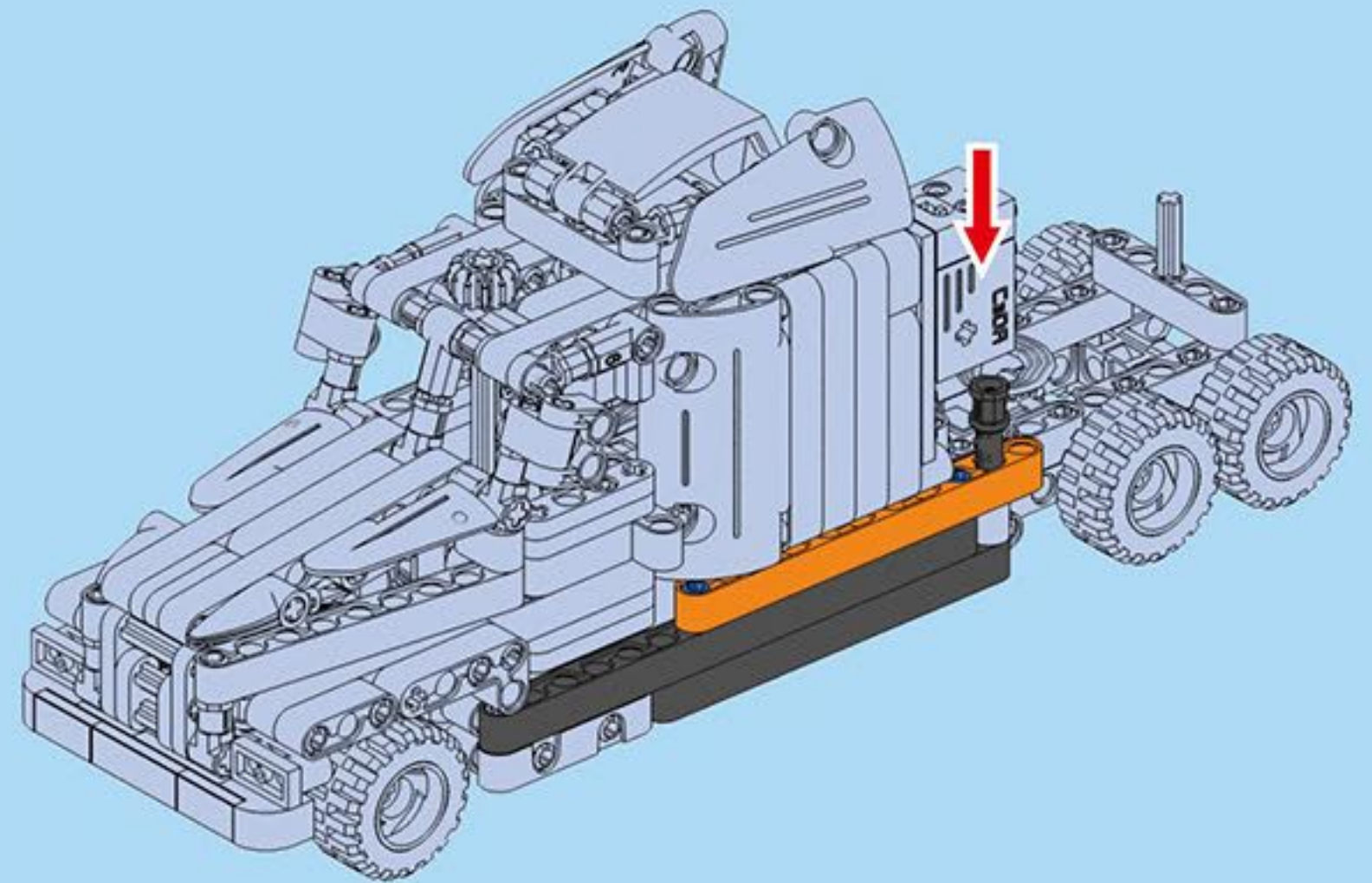
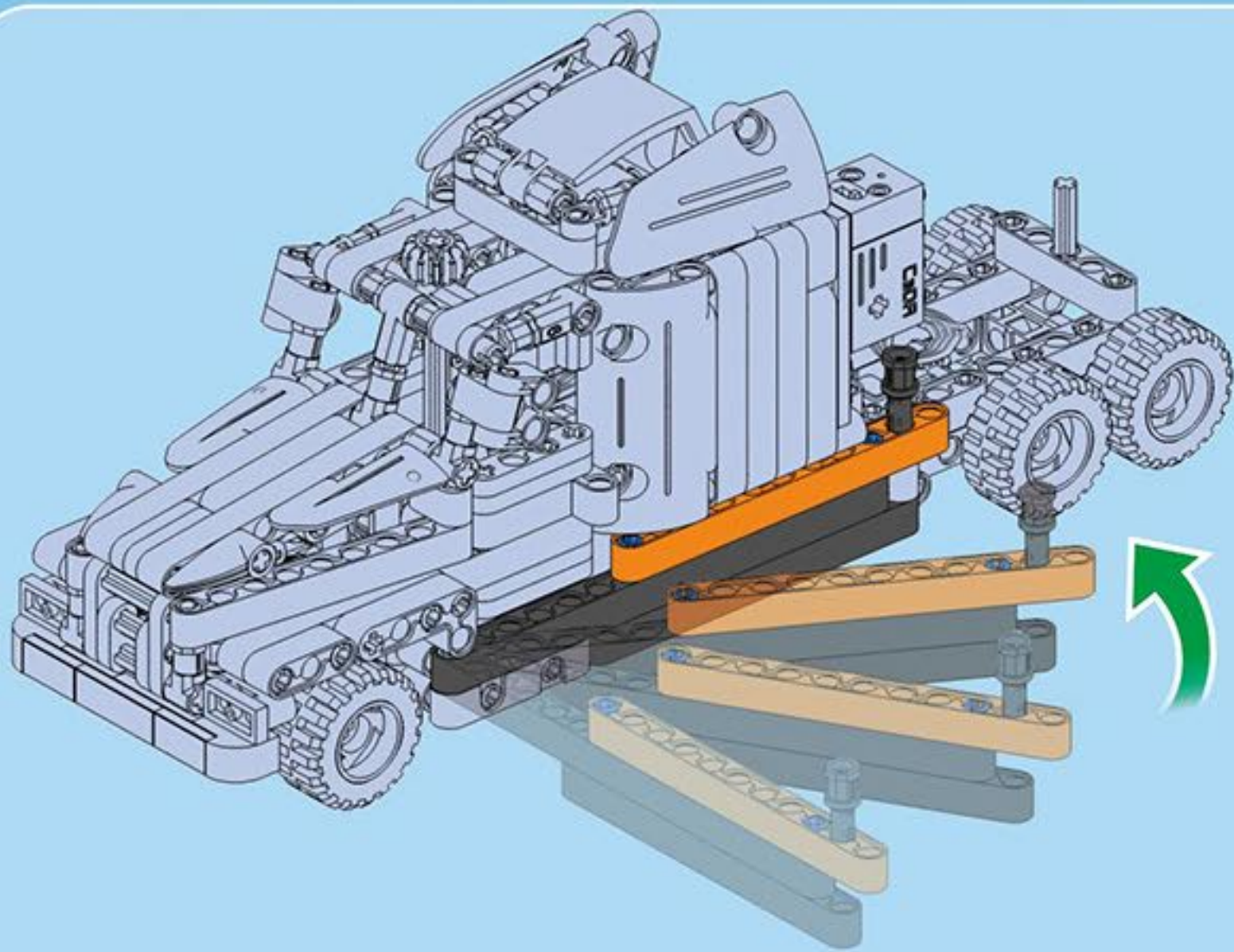


4

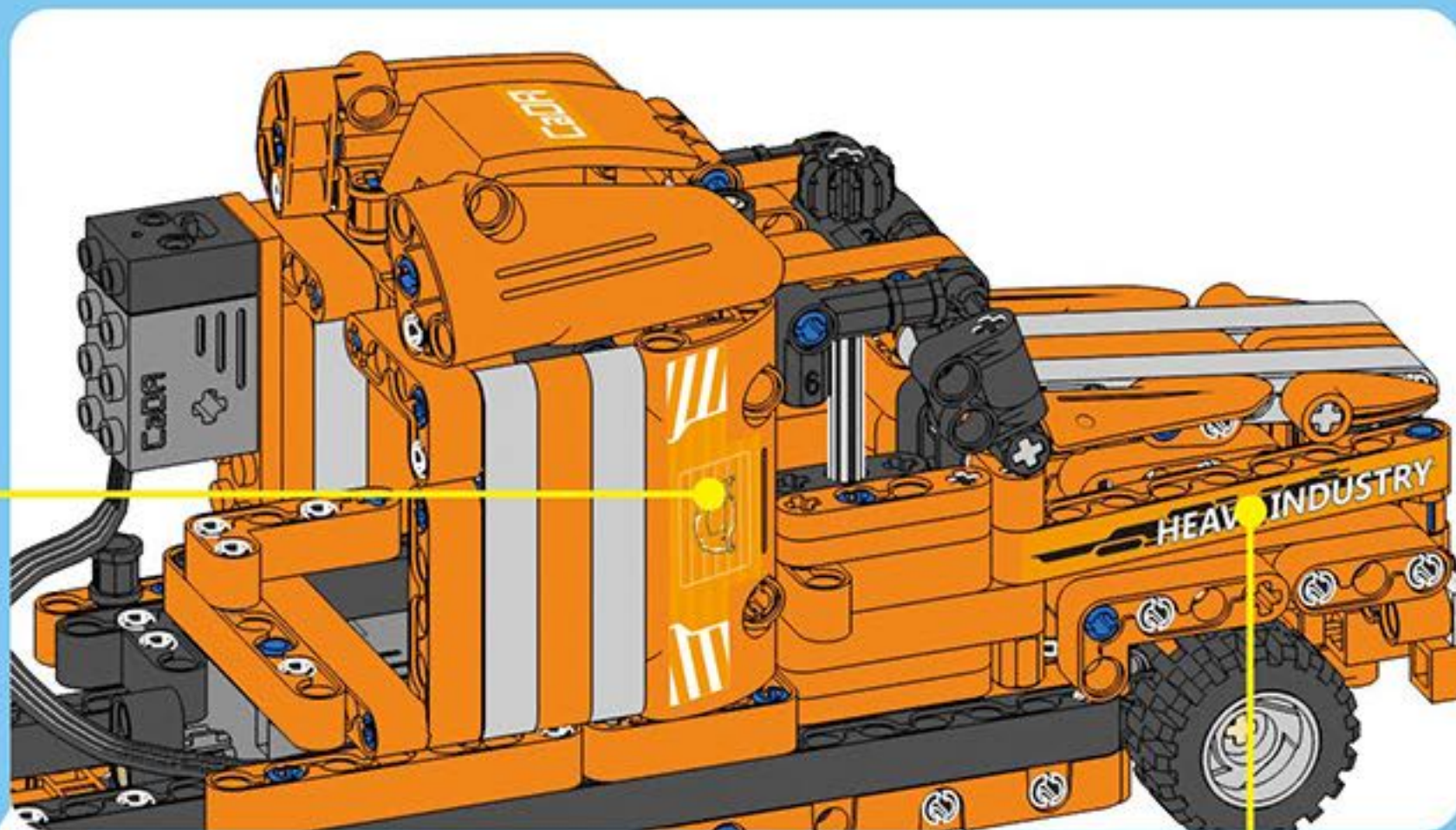


5





8



4

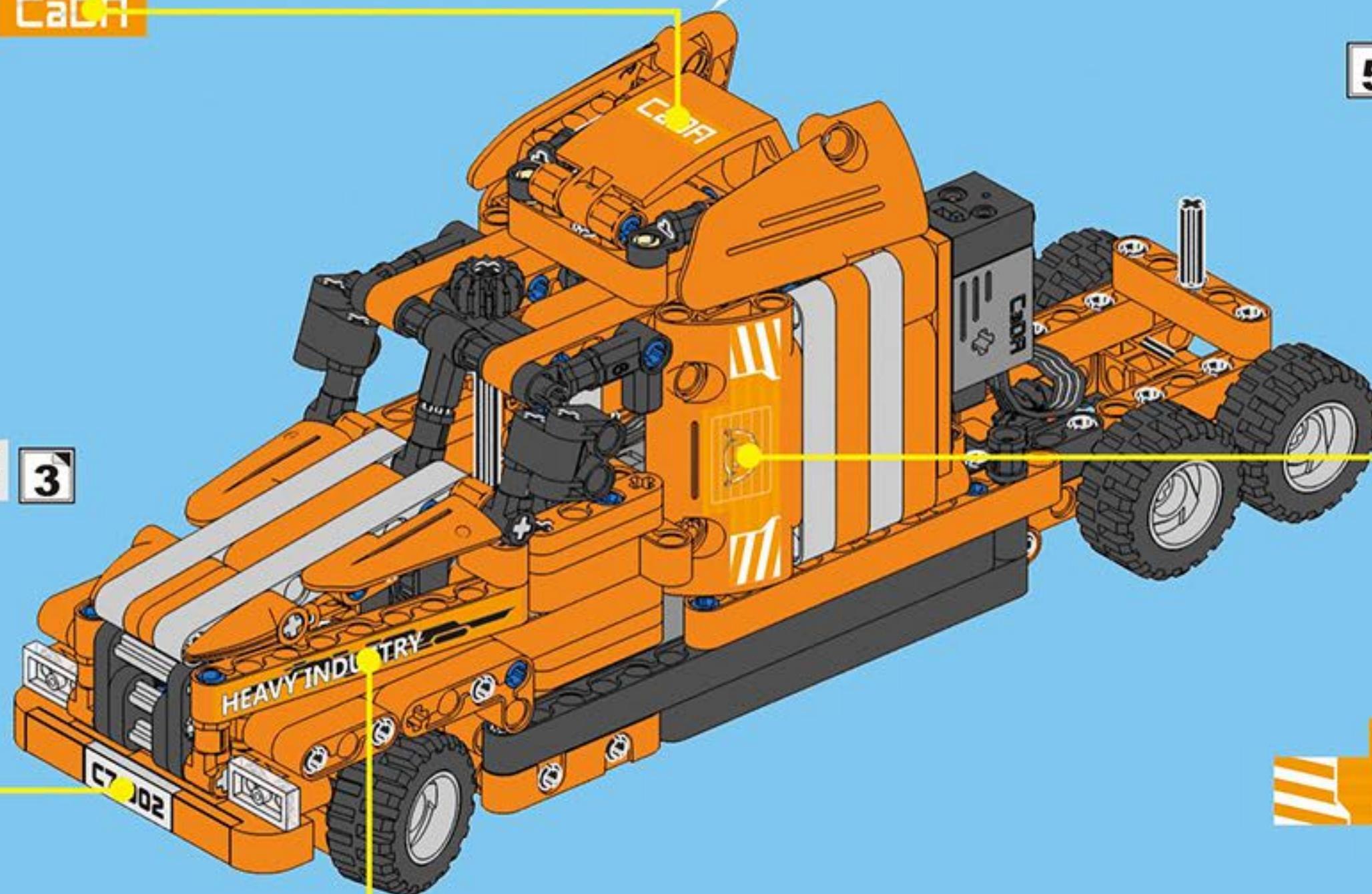
CaDA

5

HEAVY INDUSTRY

C71002

3

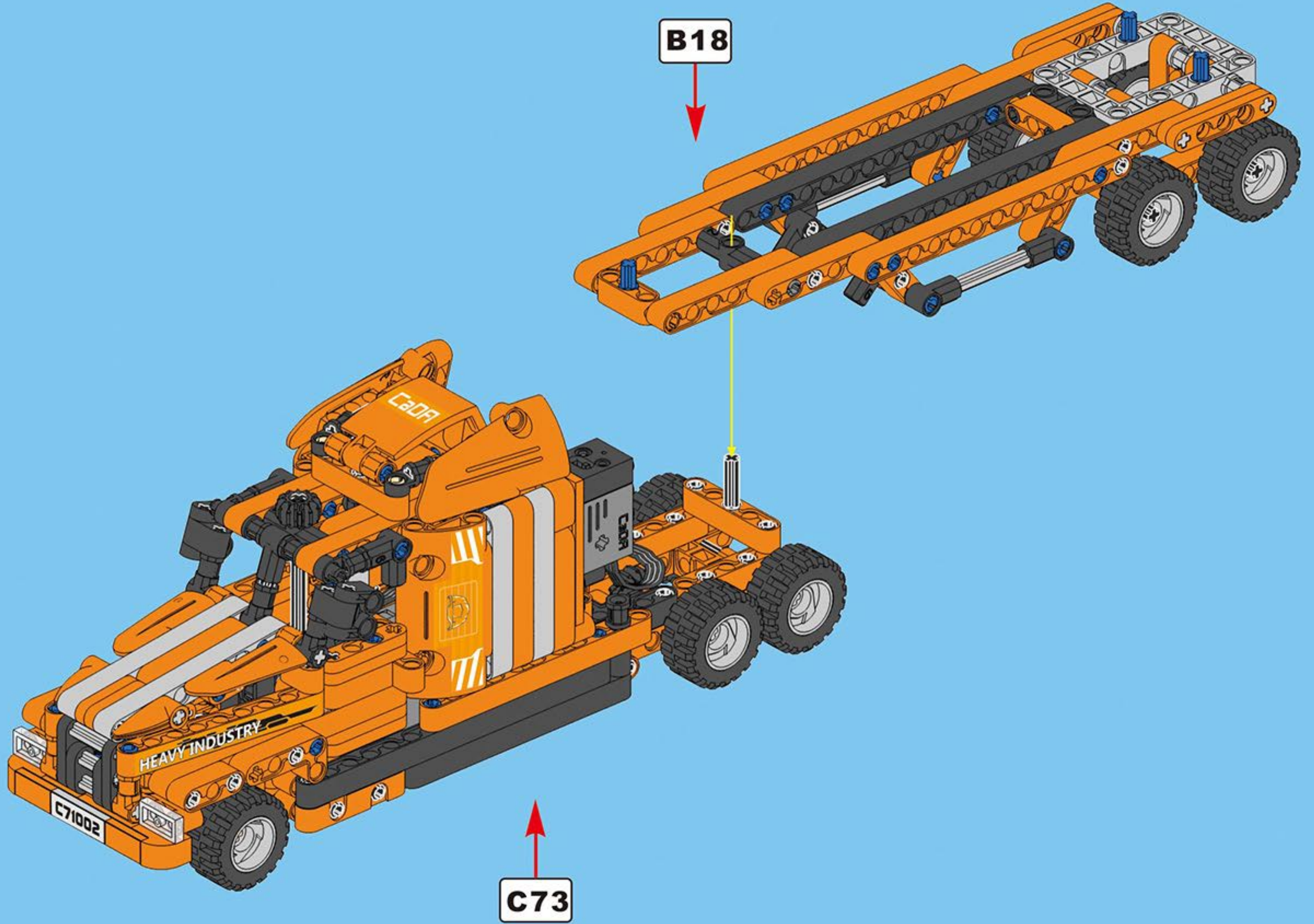


7

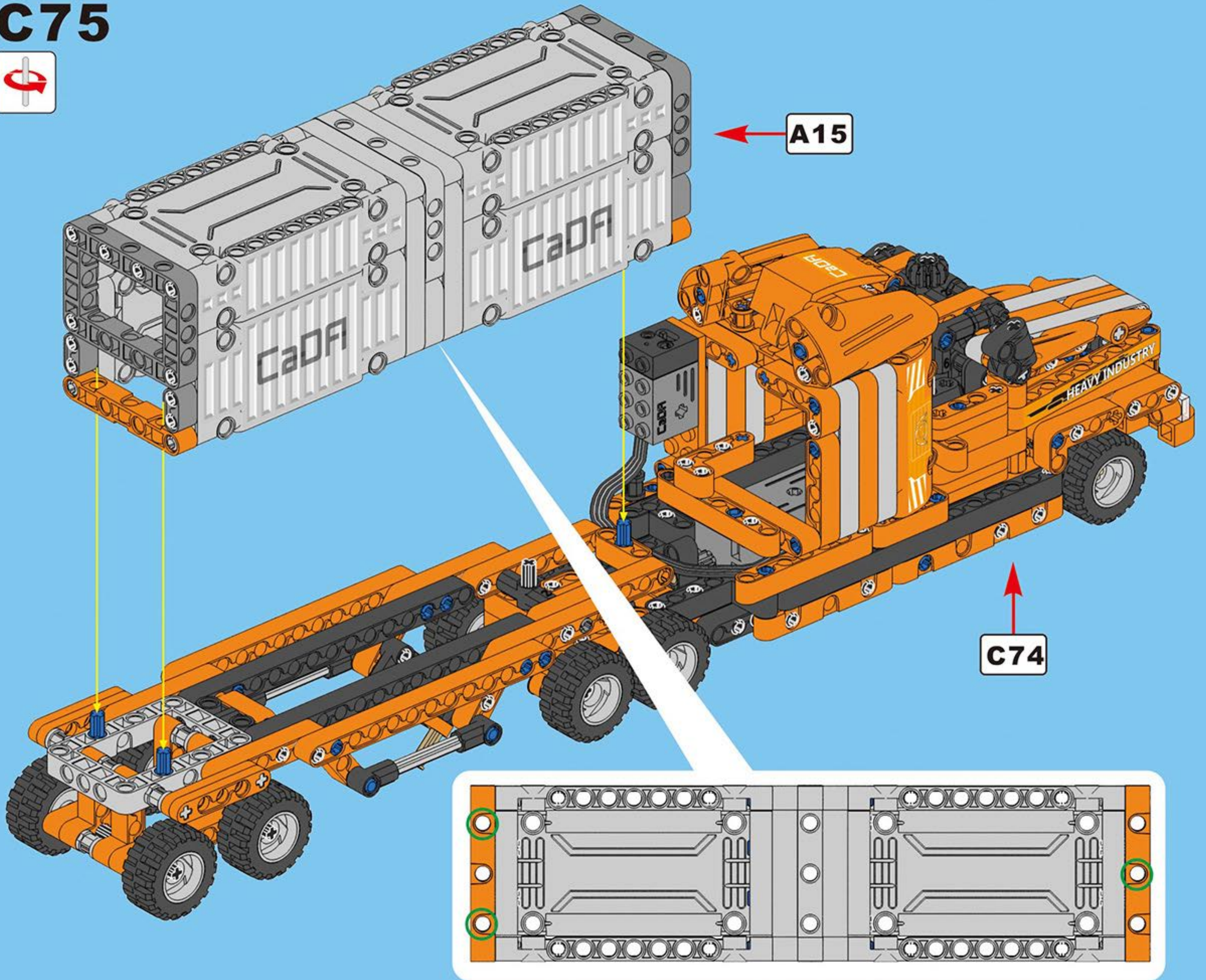
HEAVY INDUSTRY

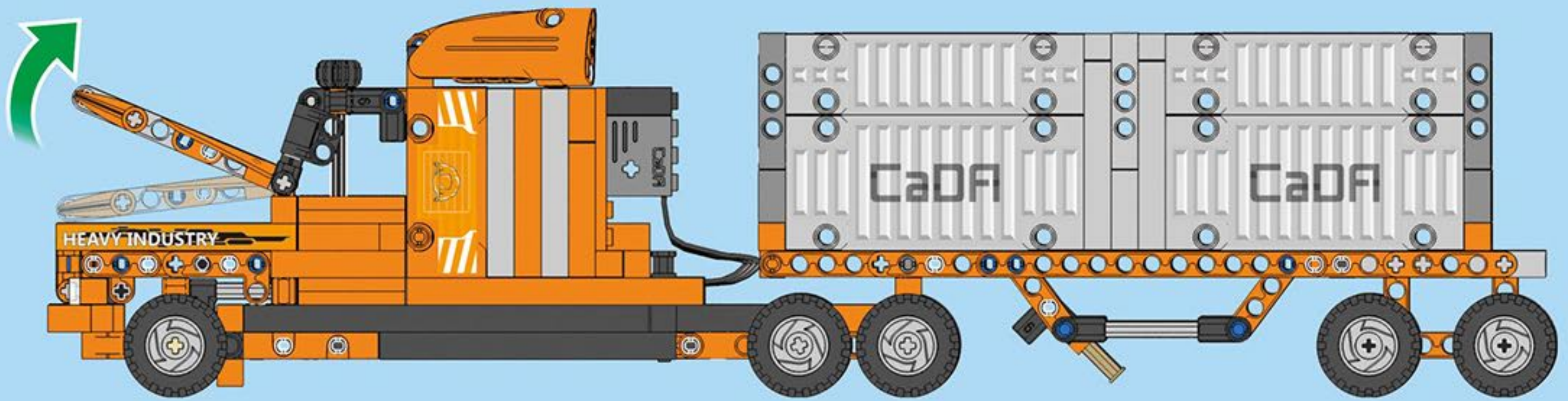
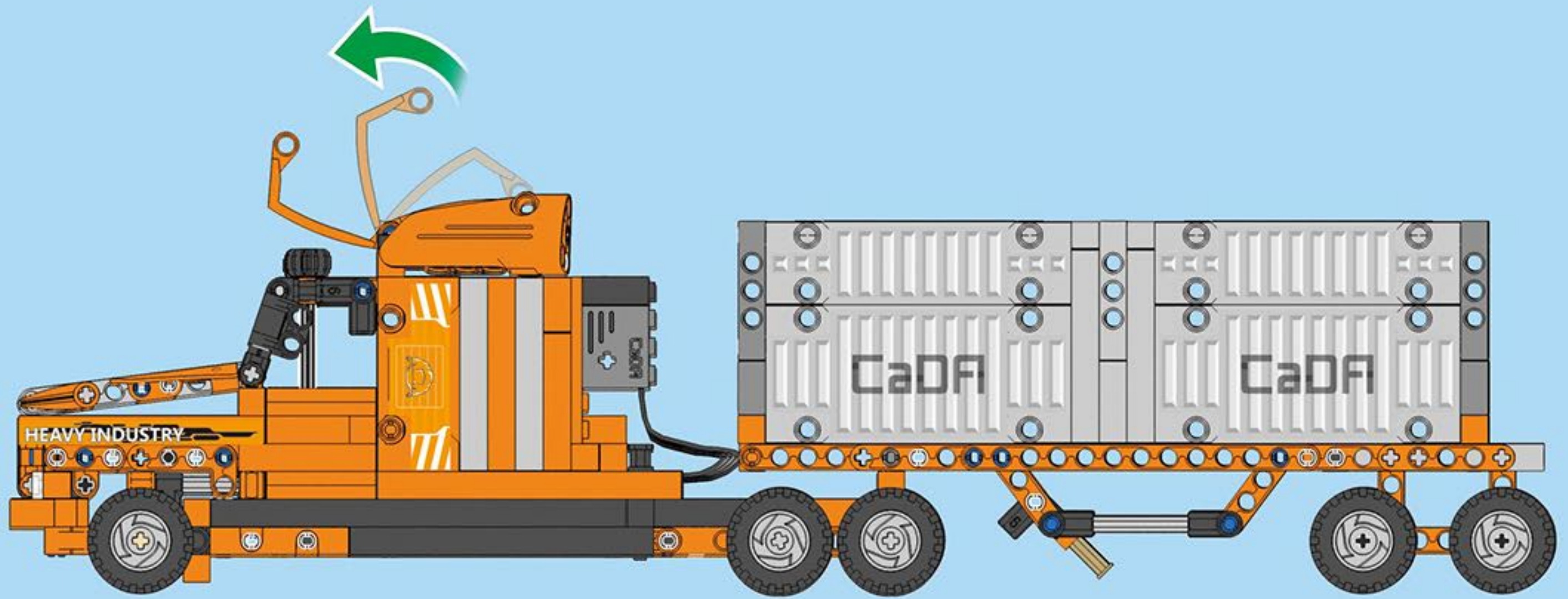
6

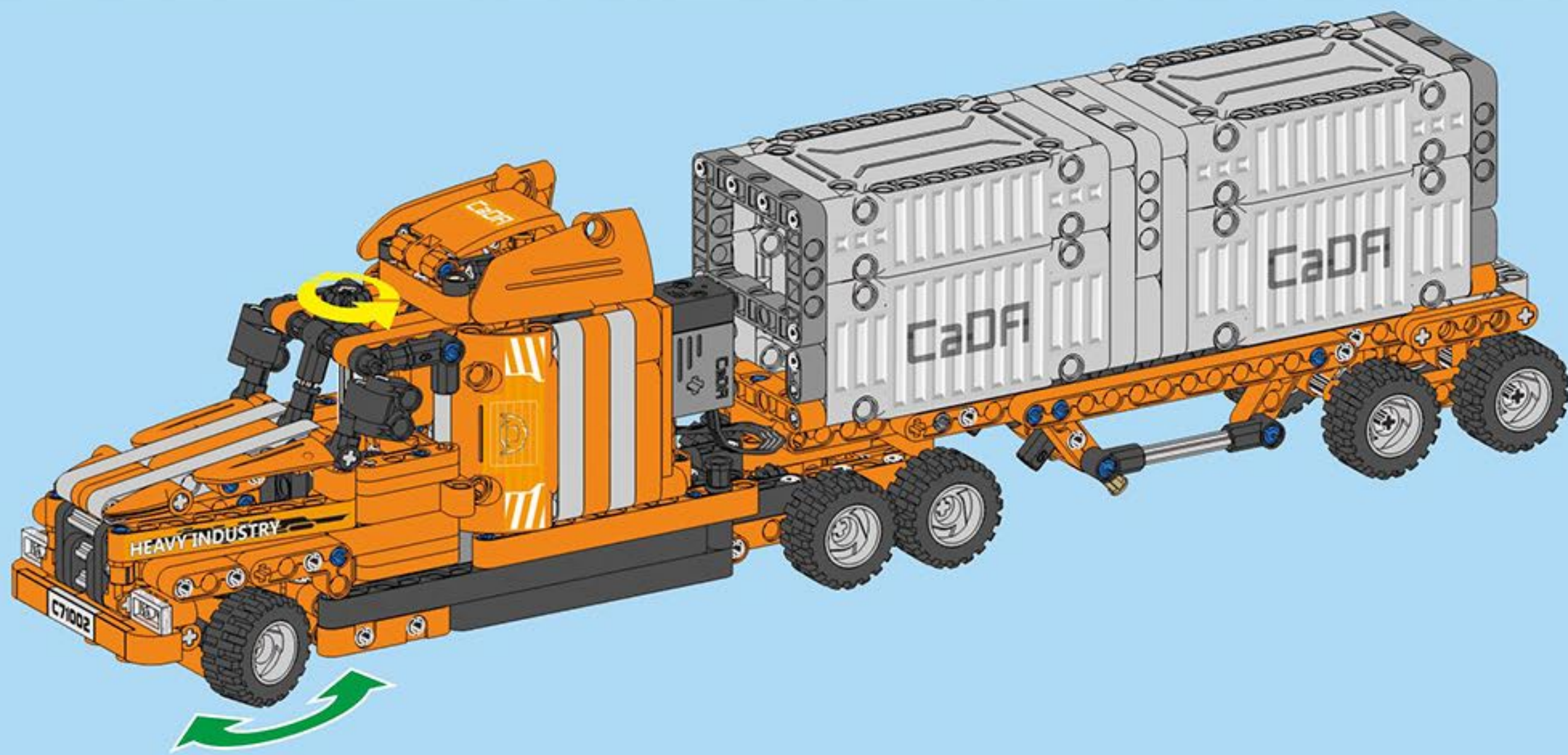
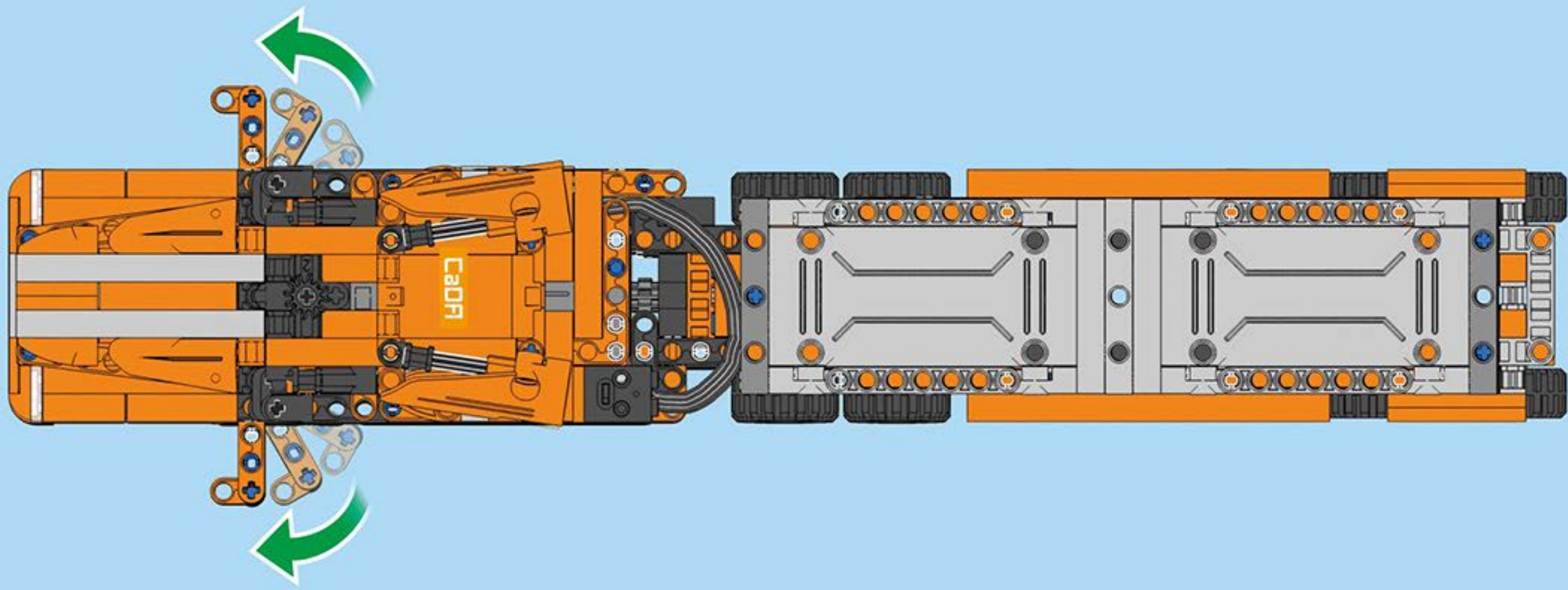
C74

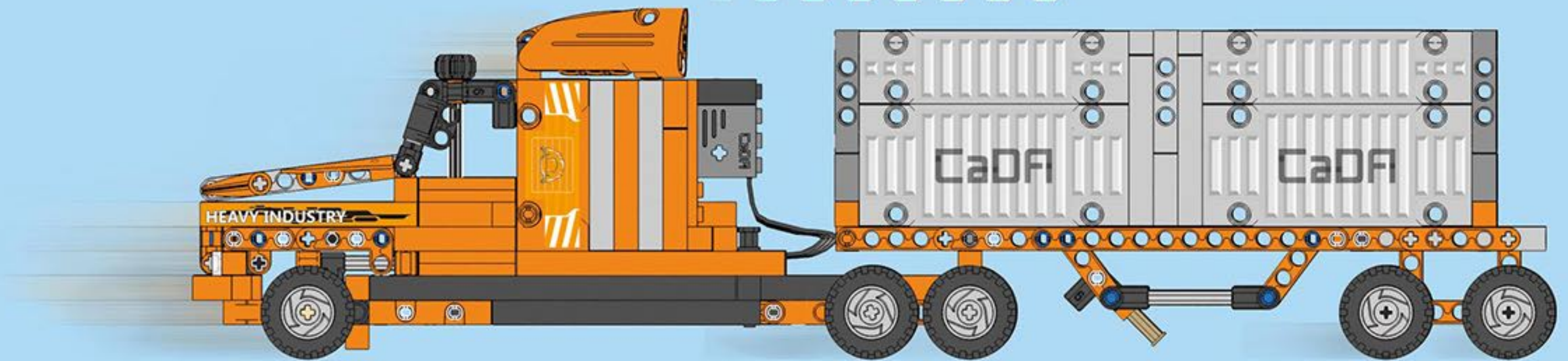
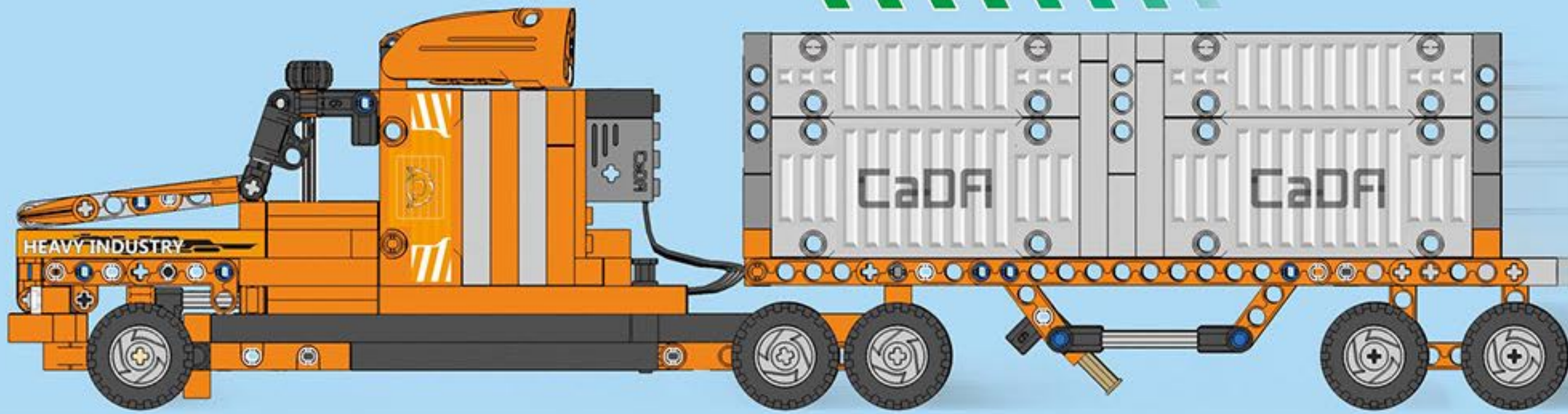


C75









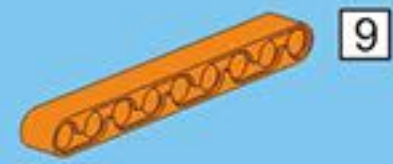
- x3 JA1013.09
- x3 JA1014.14
- x2 JA1014.13
- x2 JA3029.06
- x1 JA3030.07
- x1 JA1005.05
- x1 JF3043.01
- x2 JC1003.06
- x9 JH0011.01
- x8 JH0013.01
- x6 JH0005.01
- x6 JH0004.01
- x1 JH0006.01
- x2 JH0007.01
- x3 JH0008.01

- x3 JH0009.01
- x3 JH0063.01
- x8 JH2014.01
- x4 JH2015.01
- x25 JH5001.01
- x4 JH5078.01
- x5 JH5044.01
- x10 JH5064.01
- x6 JH2024.01
- x110 JH2025.01
- x58 JH2016.01
- x2 JH2043.01
- x6 JH5020.02
- x6 JH1018.01
- x6 JH1017.01
- x8 JH1019.10

- x4 JH4023.10
- x1 JH4023.02
- x4 JH4023.01
- x7 JH5026.01
- x5 JH5032.02
- x2 JH5041.07
- x3 JH6048.03
- x1 JH6033.05
- x4 JH6027.01
- x4 JH6028.01
- x2 JH6029.01
- x1 JH6036.01
- x4 JH6035.01

- x1 JH6038.02
- x7 JH6039.06
- x4 JH6039.01
- x1 JH6049.05
- x4 JH6037.01
- x4 JH6050.01
- x1 JH6059.02
- x2 JH9056.01
- x4 JH9073.04
- x1 JJ0001.07
- x2 JJ0020.08
- x2 JJ4022.01
- x6 JJ4025.04
- x2 JJ4025.02

- x8 JJ4024.03
- x8 JJ4023.09
- x2 JJ4028.01
- x2 JJ5027.06
- x2 JJ5027.02
- x4 JJ6003.07
- x4 JJ6004.08
- x2 JJ6004.05
- x4 JJ6005.08
- x2 JJ6005.01
- x15 JJ6006.08
- x10 JJ6006.04



x6
JJ6007.08

9



x2
JJ6007.04

9



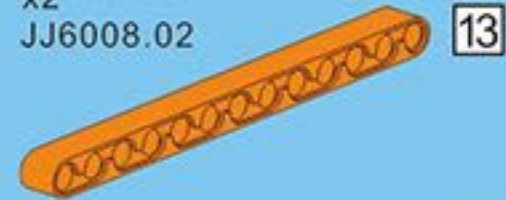
x2
JJ6008.09

11



x2
JJ6008.02

11



x4
JJ6009.07

13



x6
JJ6009.02

13



x4
JJ6010.07

15



x4
JJ6010.03

15



x3
JJ6018.01



x4
JJ6019.01



x4
JJ6032.09



x4
JJ6033.05



x2
JJ6035.11



x5
JJ6036.11

5



x1
JJ6037.08

7



x2
JJ6038.10



x16
JJ7011.08



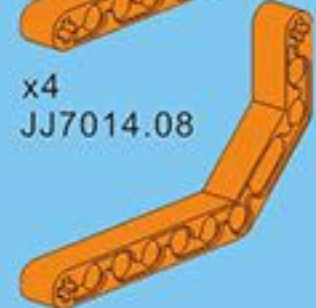
x2
JJ7012.08



x4
JJ7012.02



x4
JJ7014.08



x2
JJ7016.04



x3
JJ7017.01



x2
JM0039.01



x3
JM0010.01



x1
JM0017.01



x5
JM0015.01



x2
JM0011.01



x1
JM0012.01



x1
JM0020.01



x1
JM0020.02



x1
JM0023.01



x1
JM0022.01



x2
JX4042.12



x1
JX9029.01



x1
JM4024.04



x1
JM9005.01



x1
JX0041.01



x10
JM3019.01



x10
JR4002.01



x1
JX4035.12



x1
JX4035.11



x1
JX4033.08



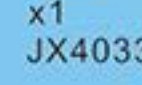
x1
JX4033.10



x2
JX4054.08



x1
JX4055.04



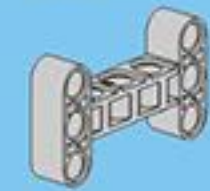
x1
JH8070.01



x3
JJ2041.02



x2
JJ2041.03



x2
JJ2047.02



x2
JJ2049.01



x6
JX4038.04



x4
JX4039.03

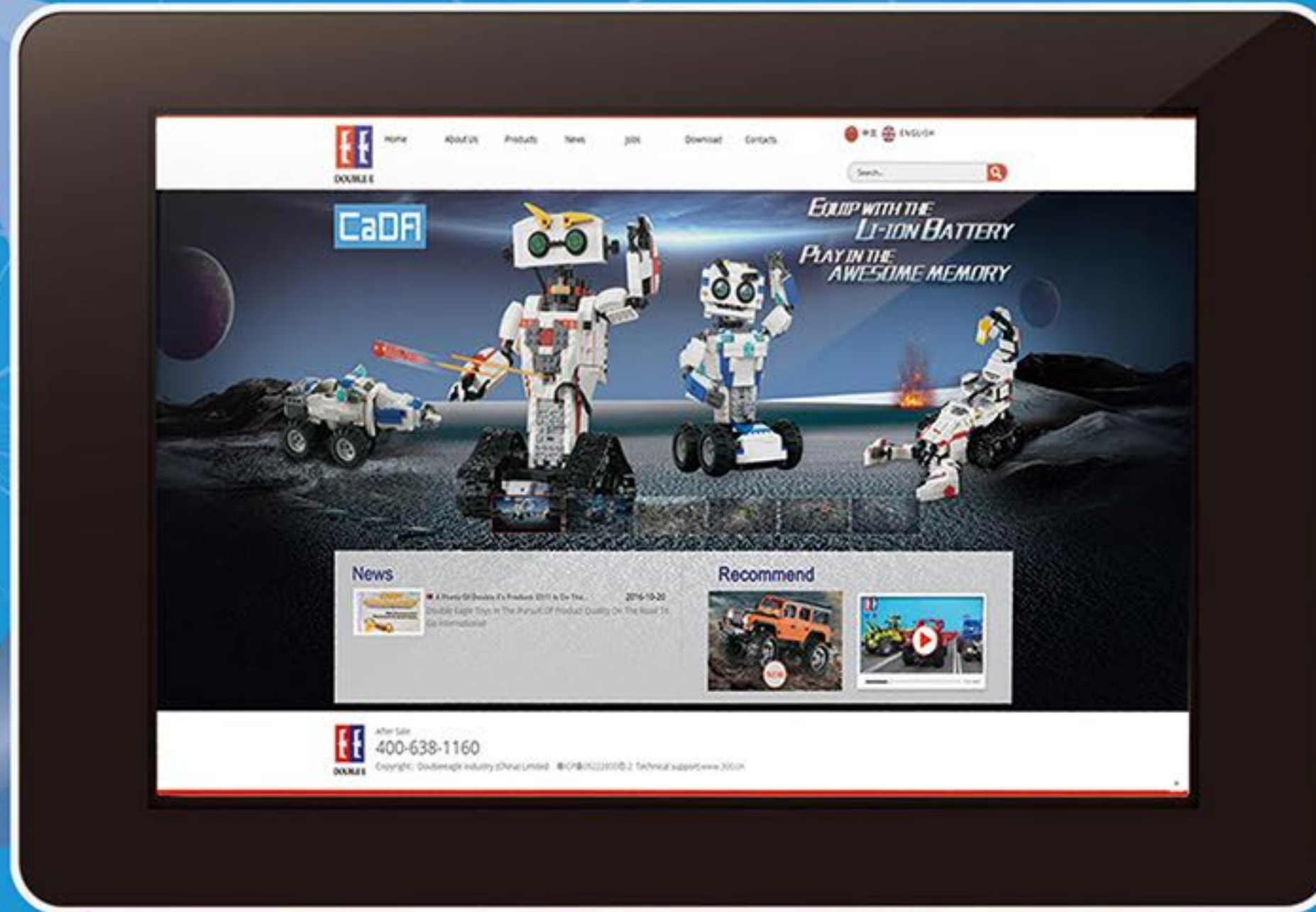
x1 (42cm)
06.10.01.000052

x1 (50cm)
06.10.01.000053



x1
JV5013.02

CaDA



www.doubleeagle.cc



C51017



C51057



C51058

