

CaDA

MECHANICAL
work laboratory



10

MODEL

Ages

6+

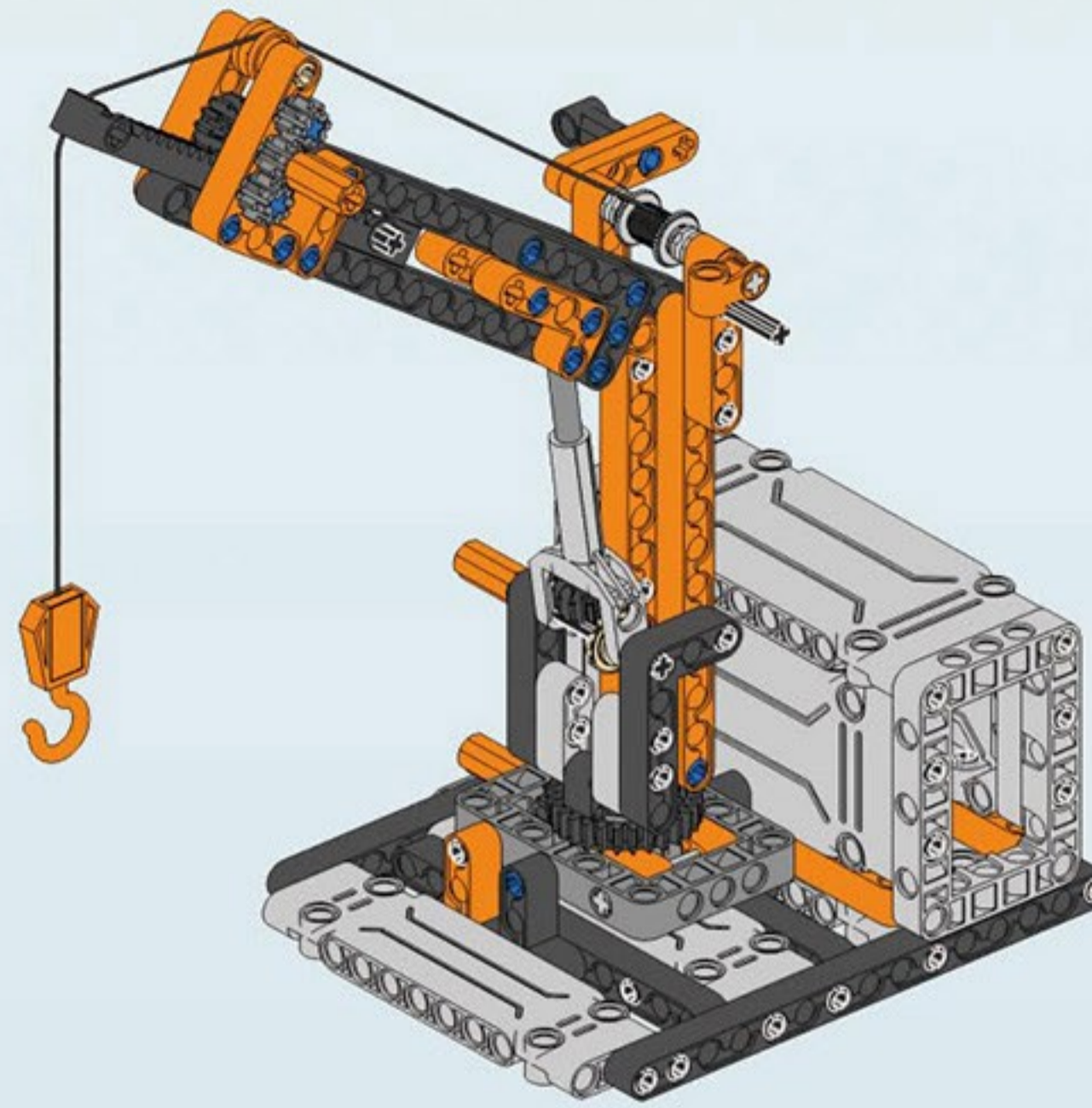
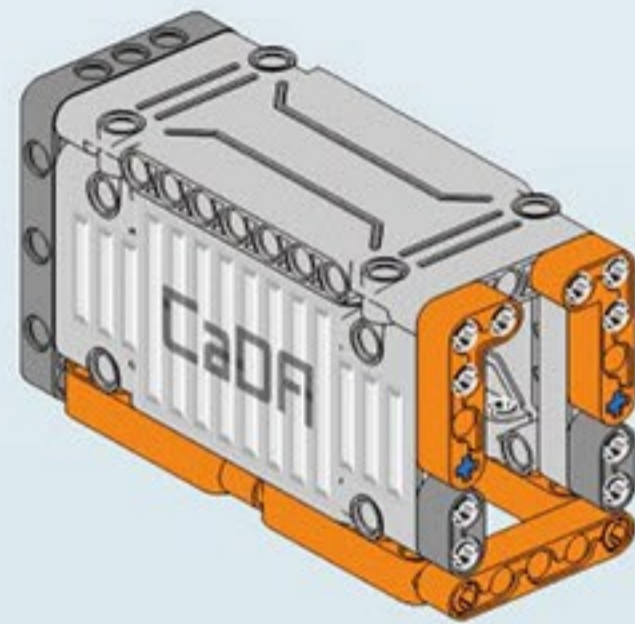
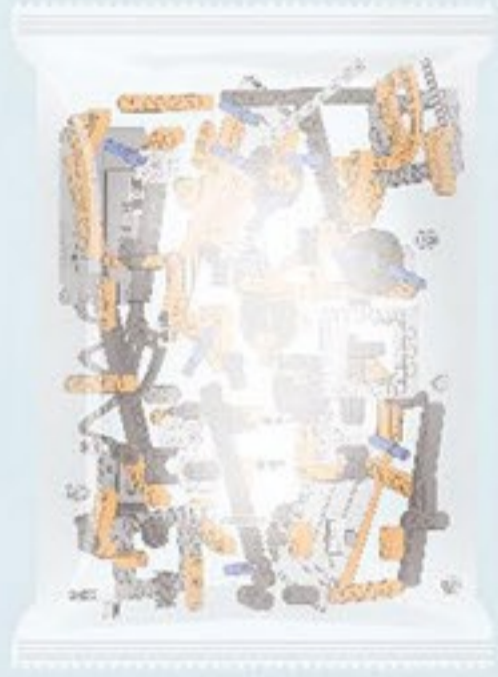
C71002

634
PCS

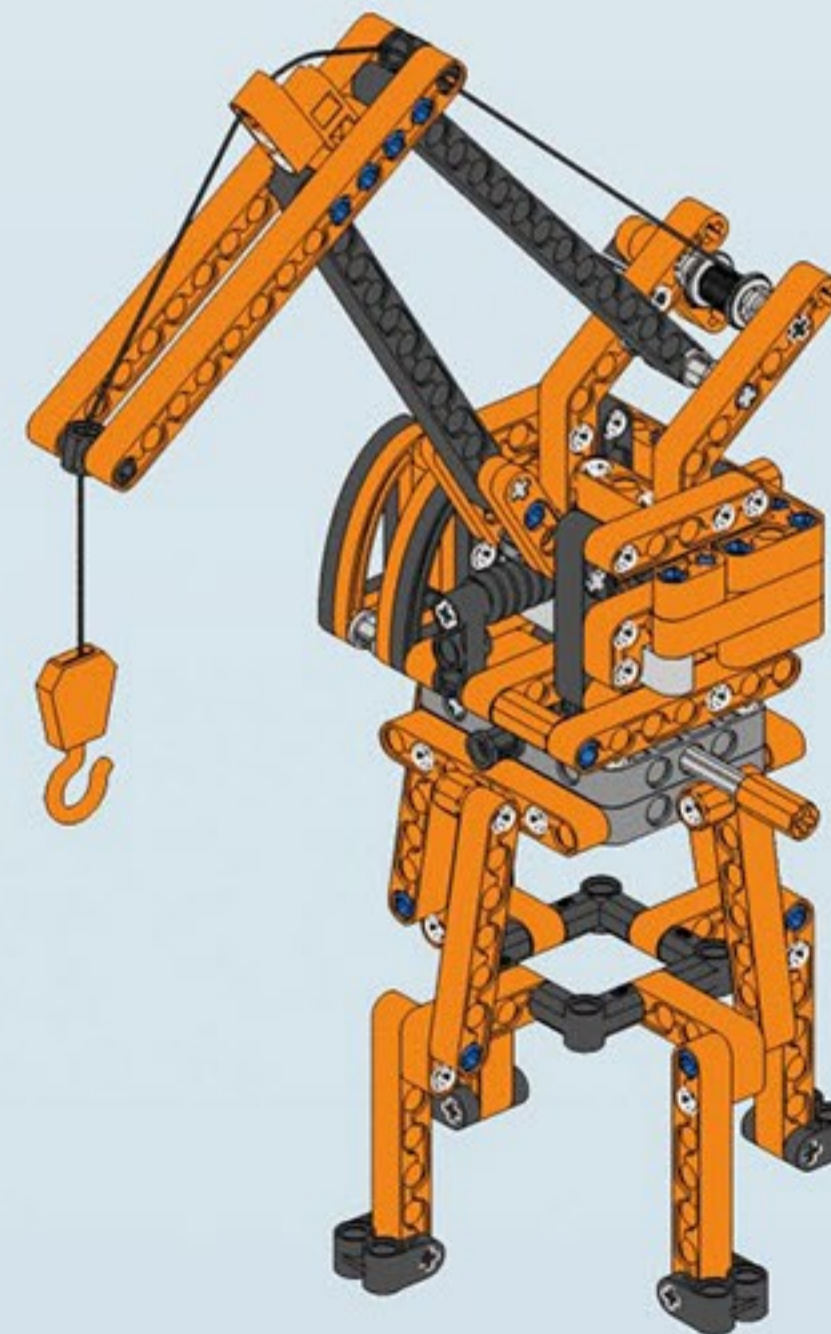
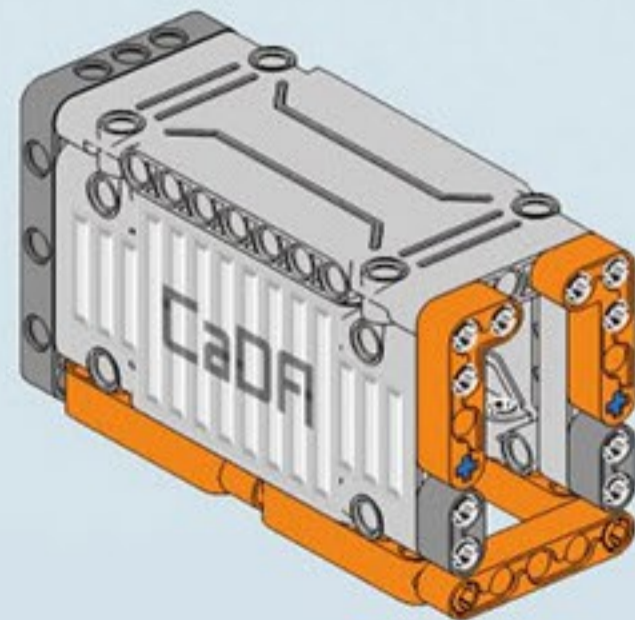


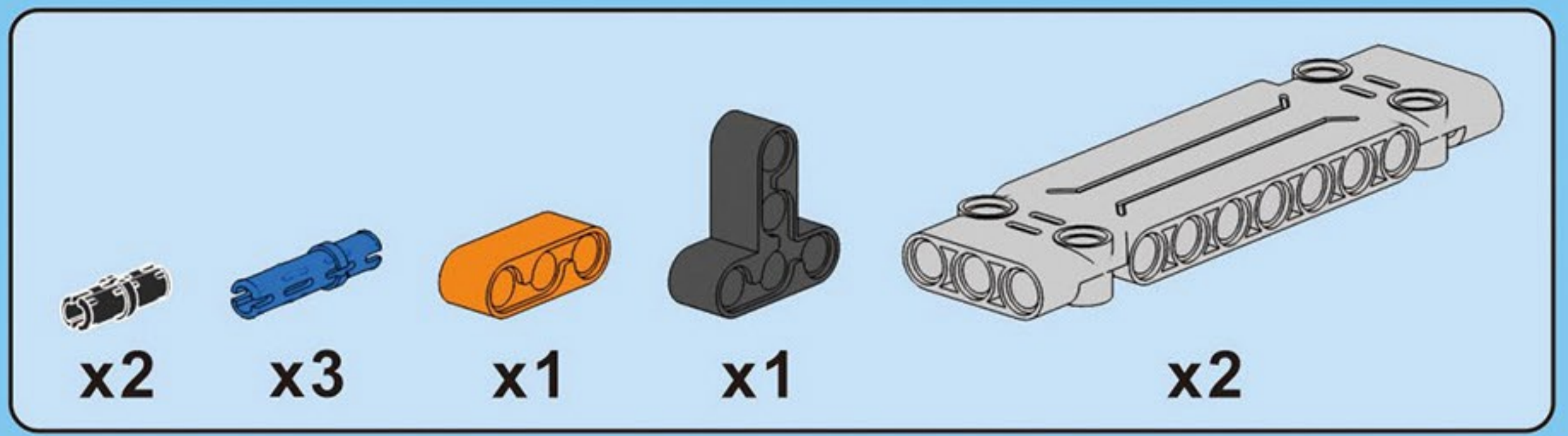
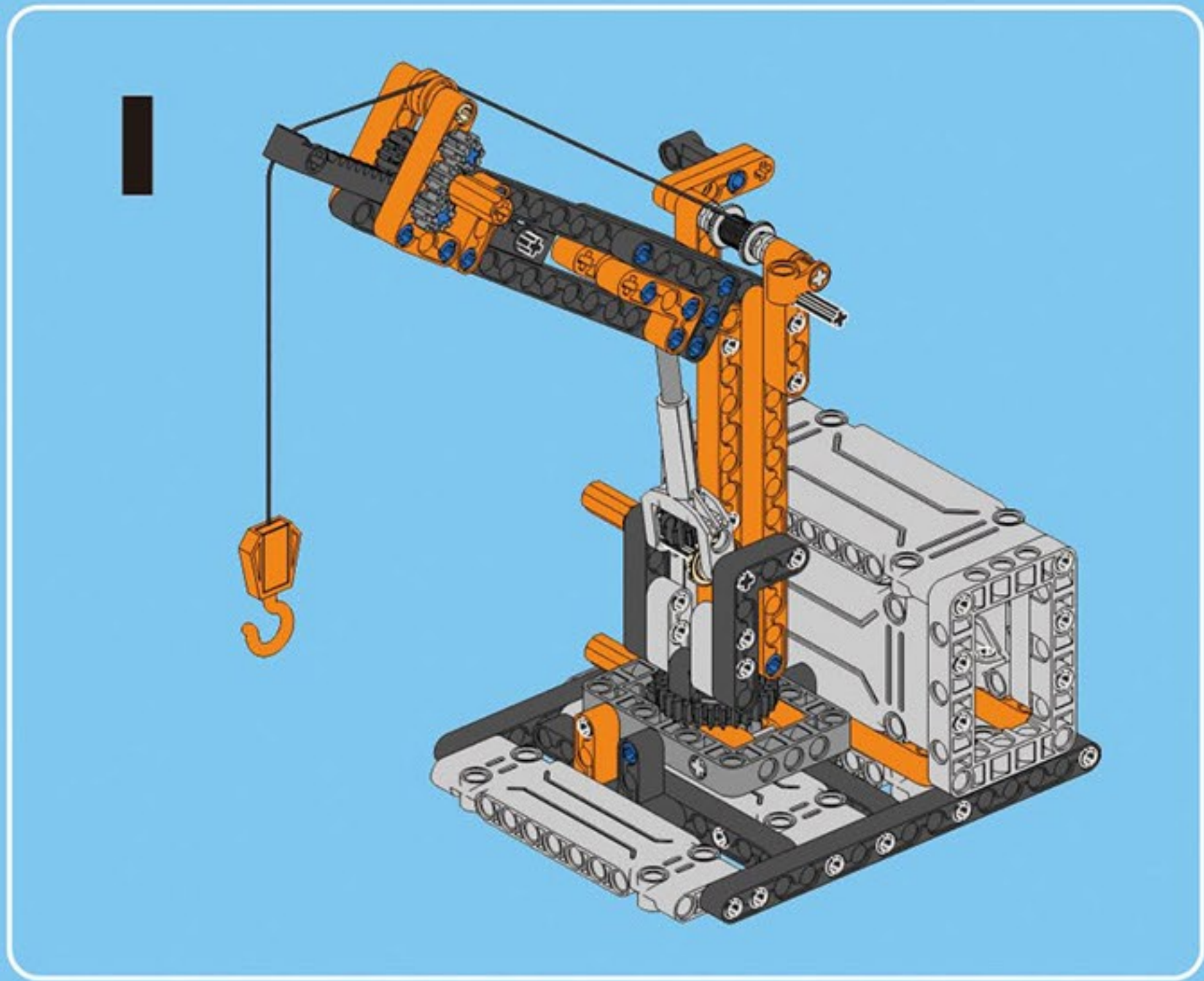
DOUBLE E

I

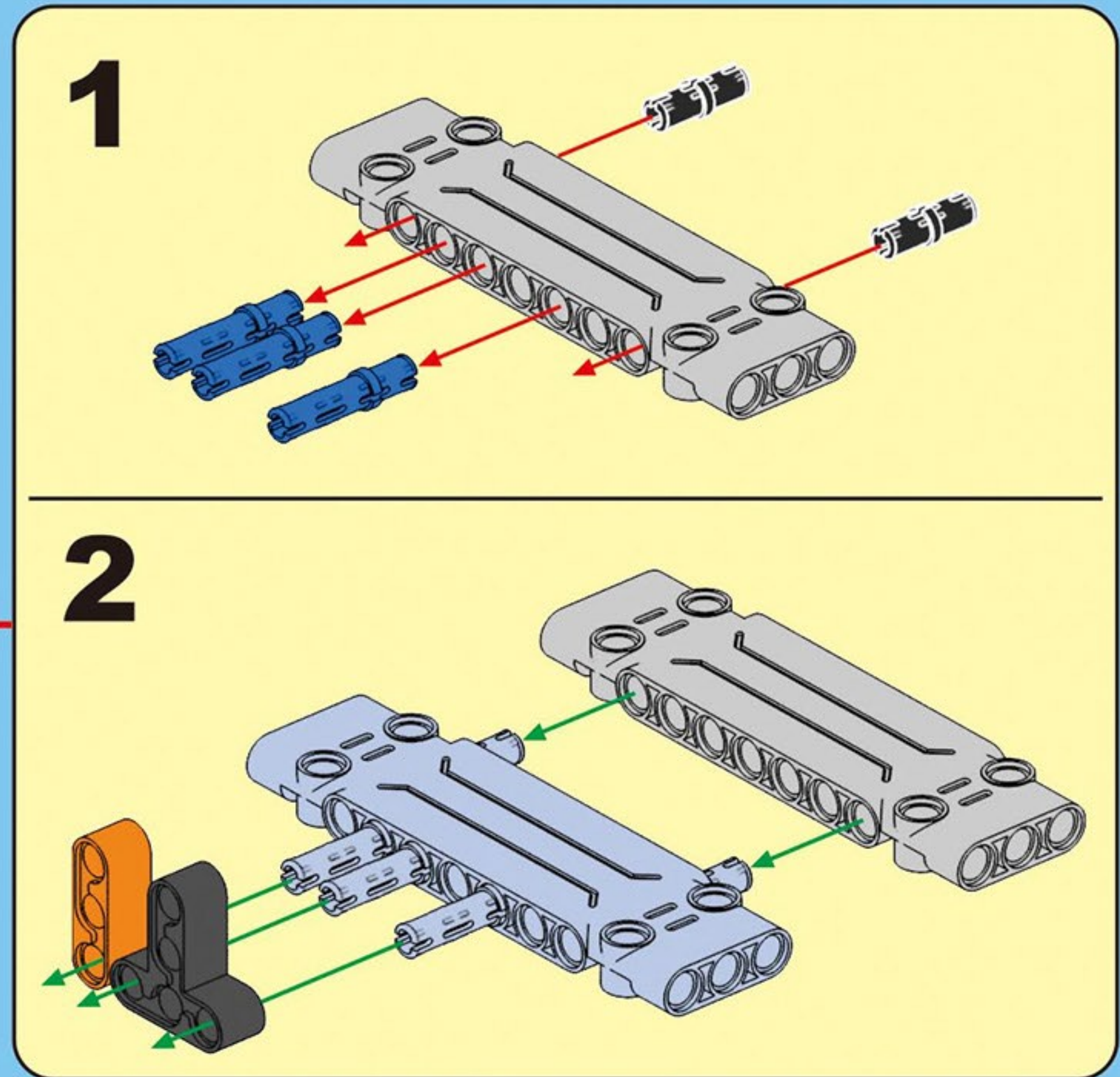
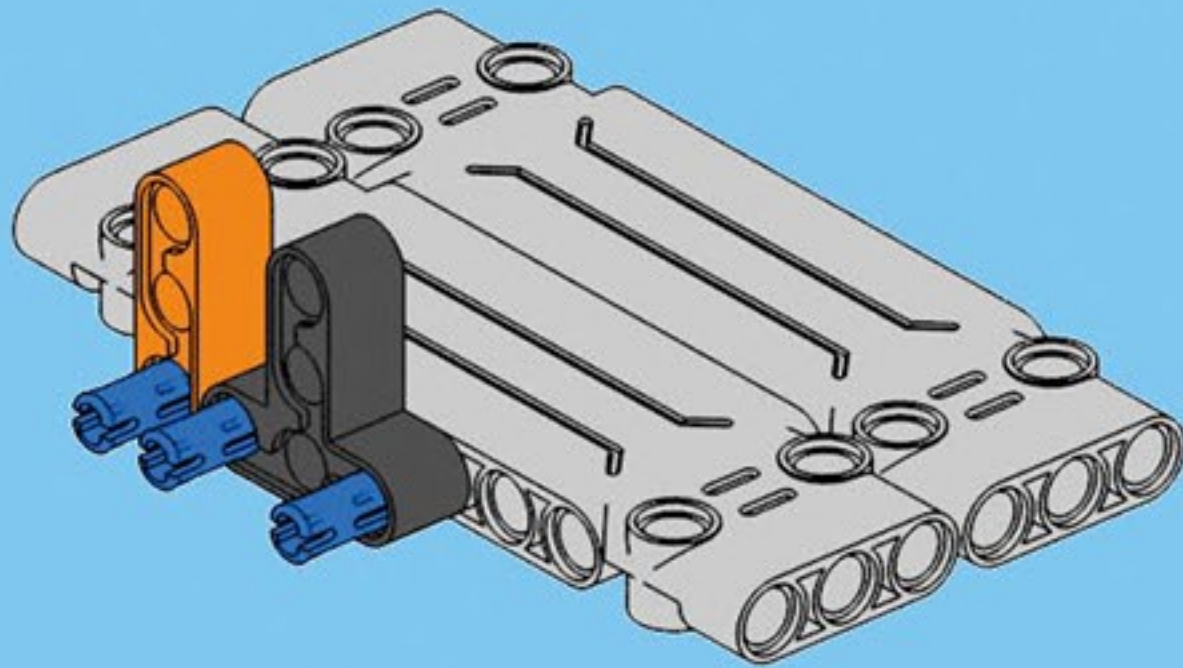


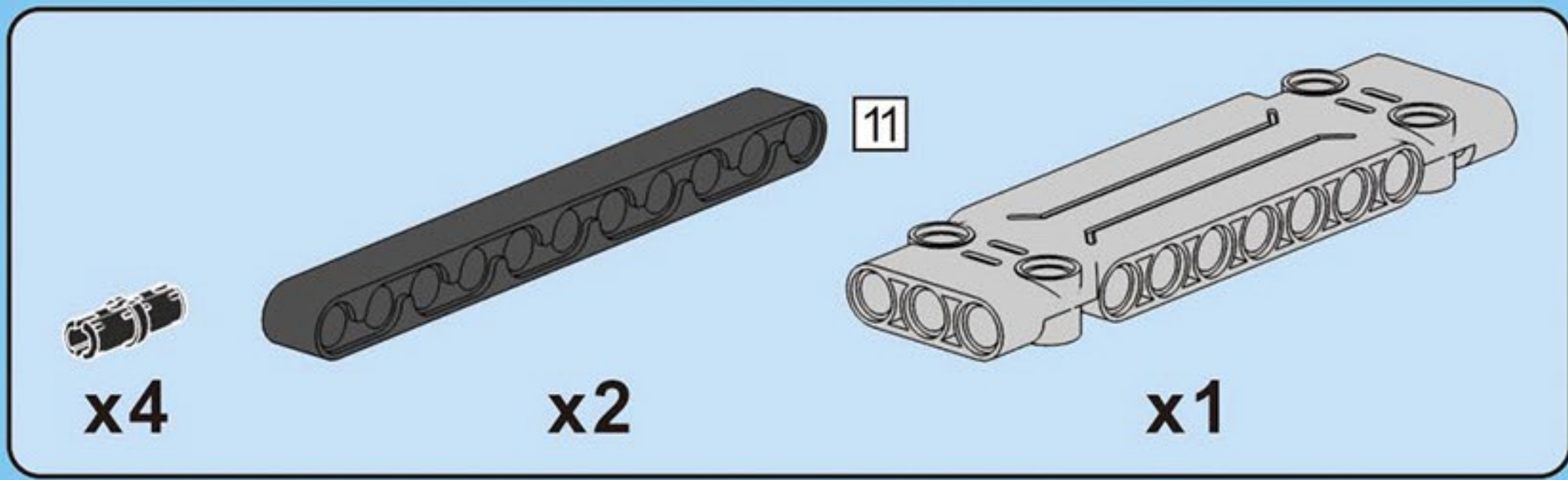
J



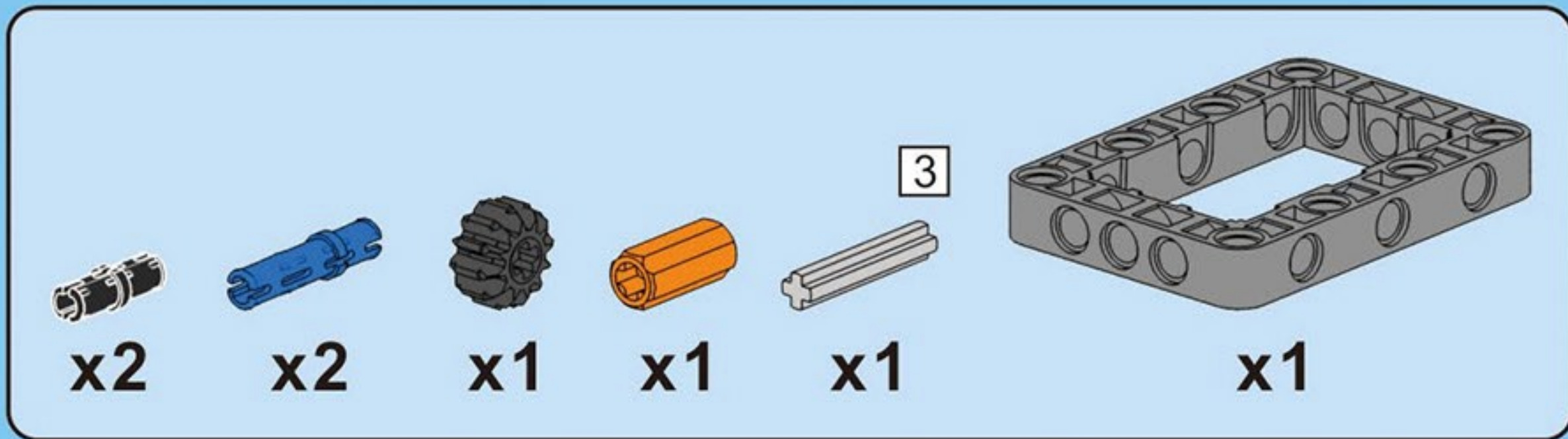
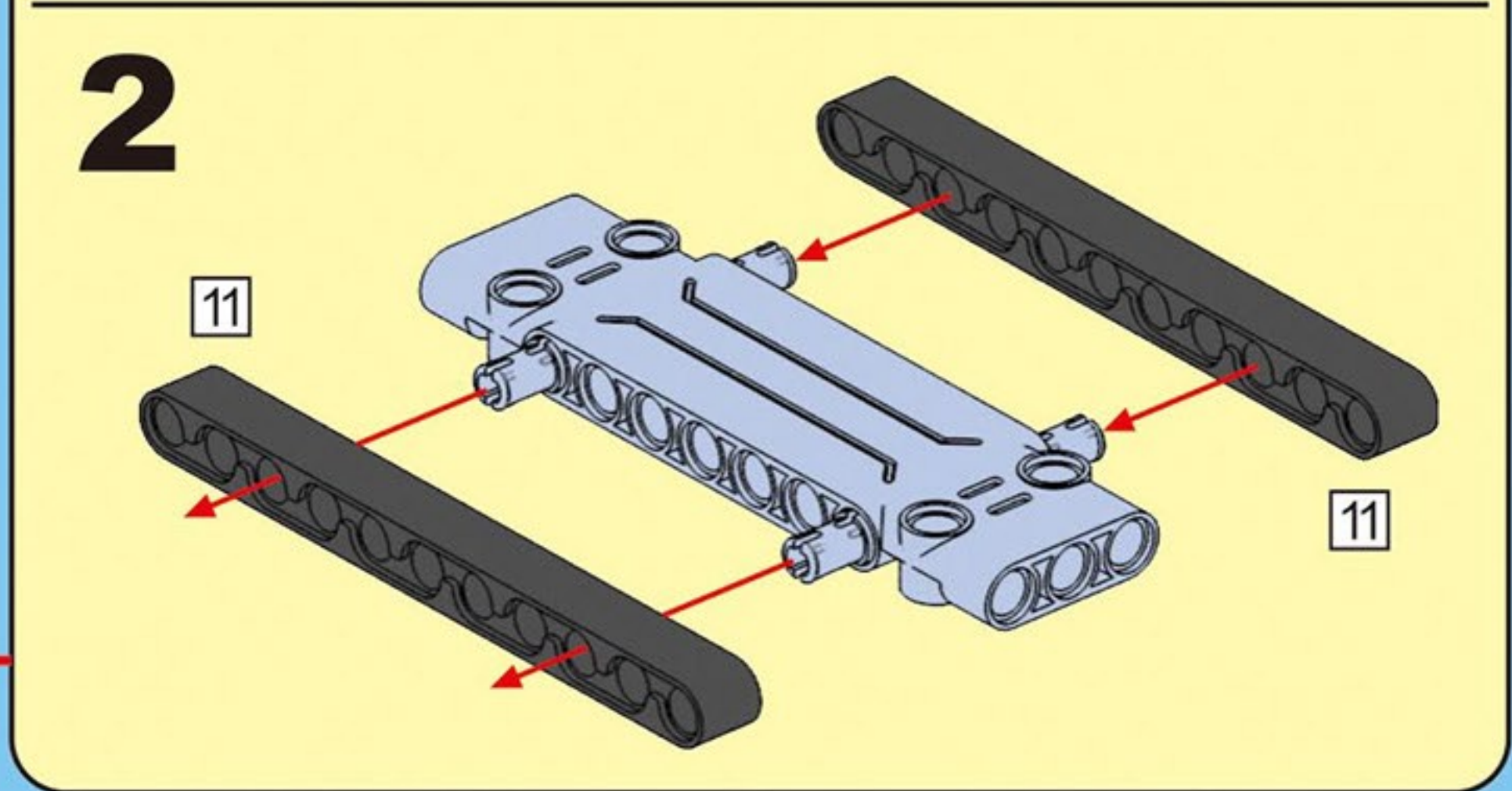
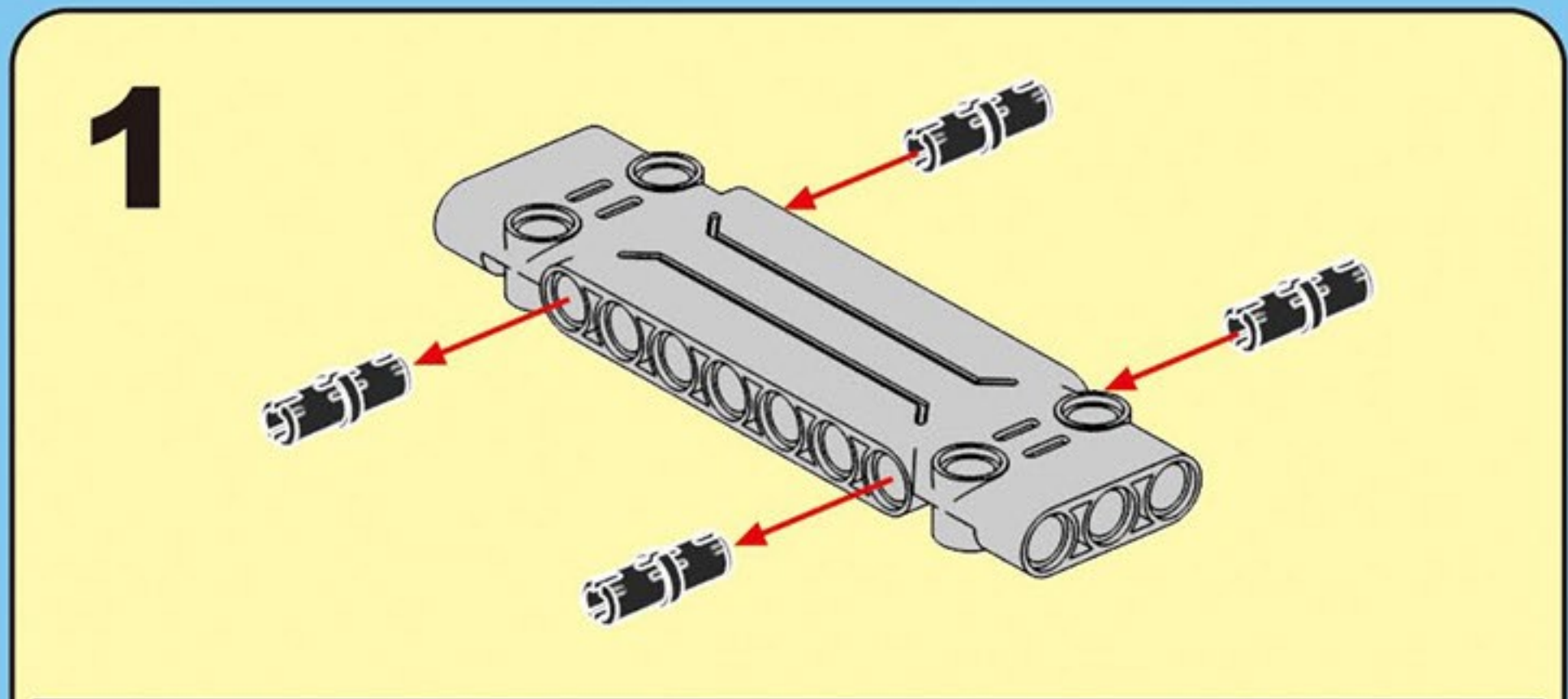
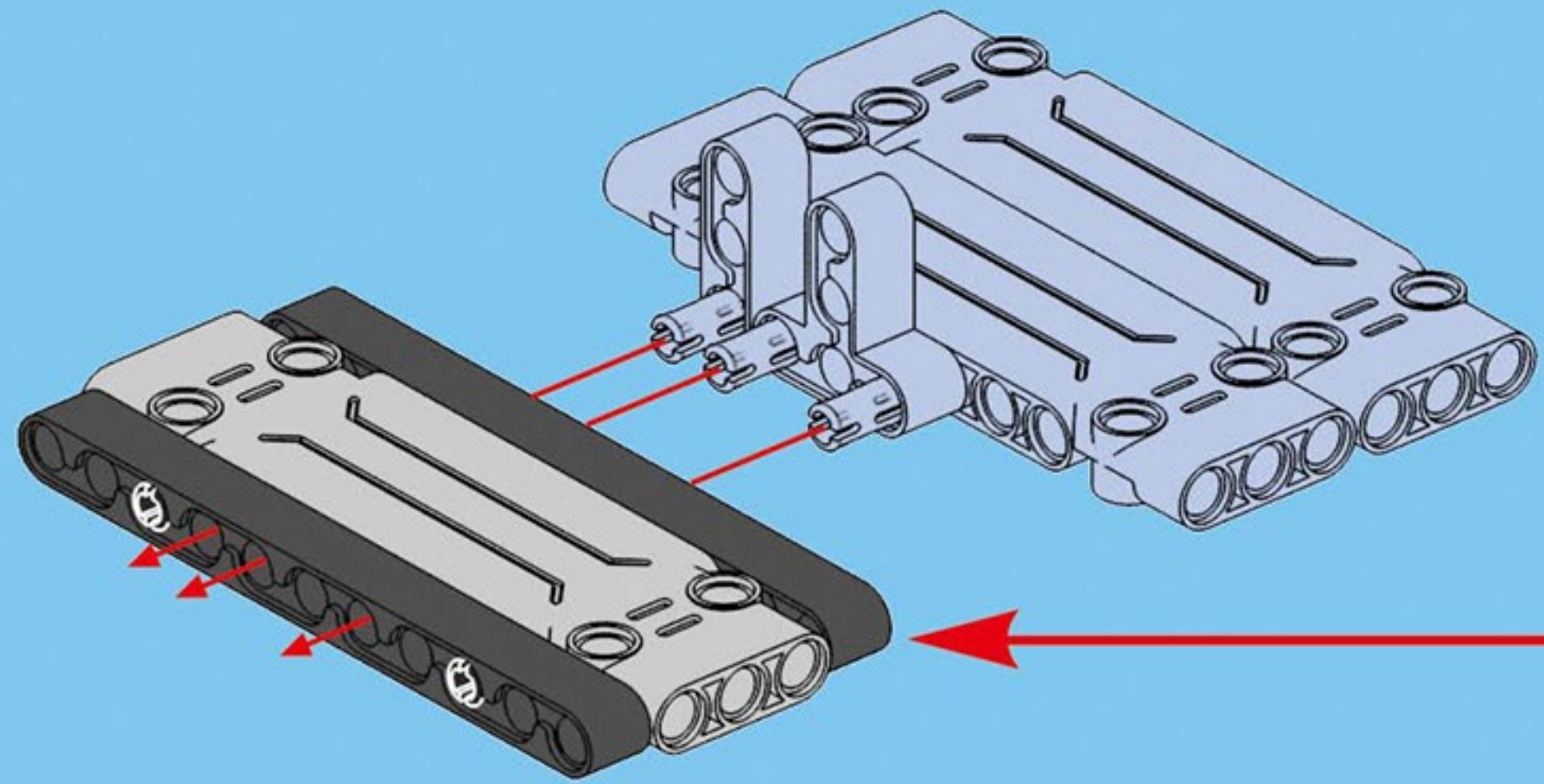


I1

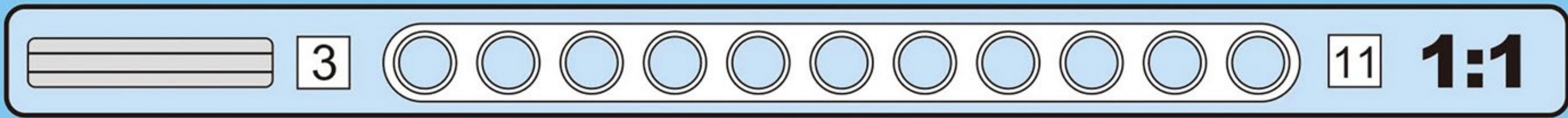
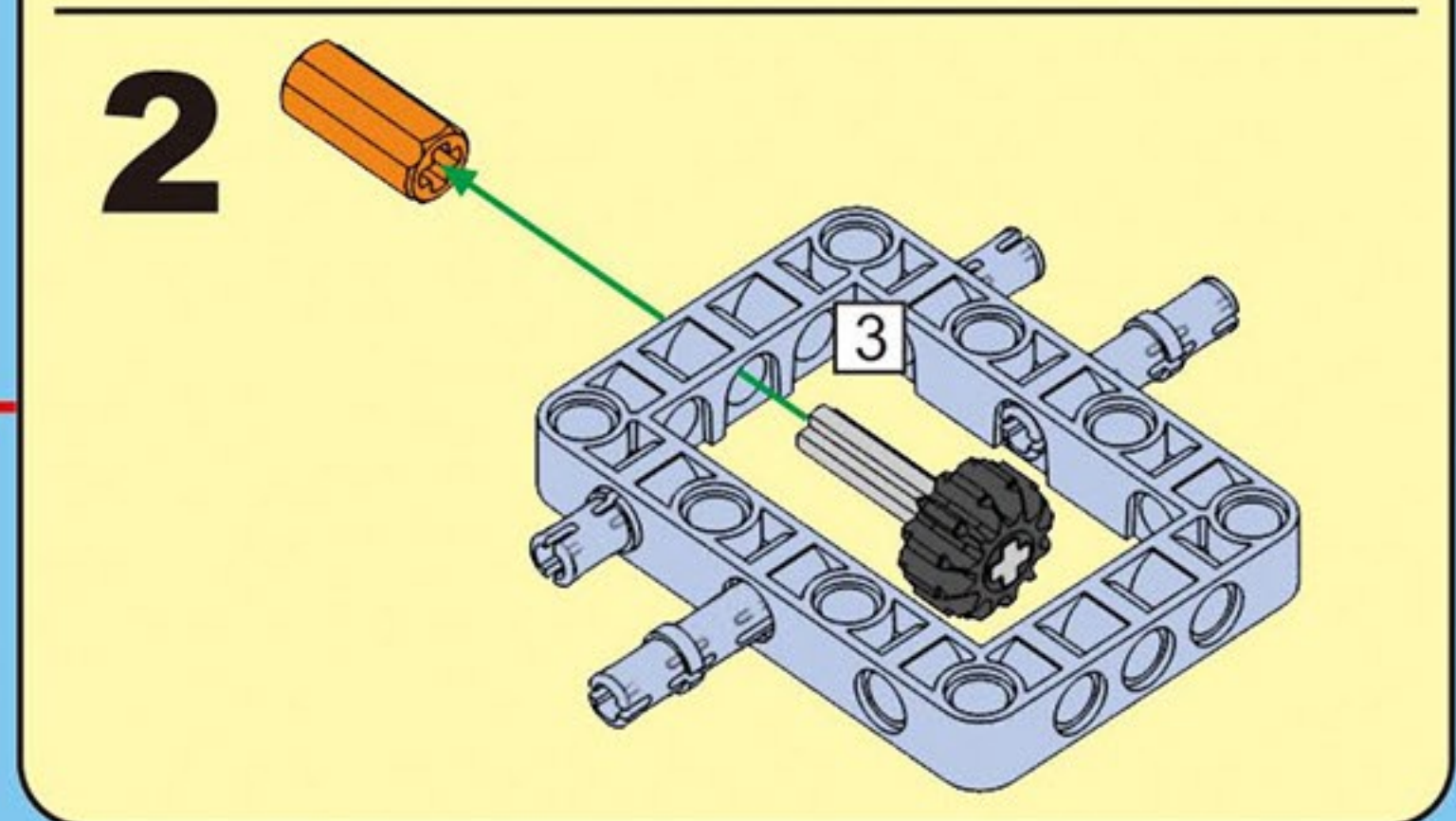
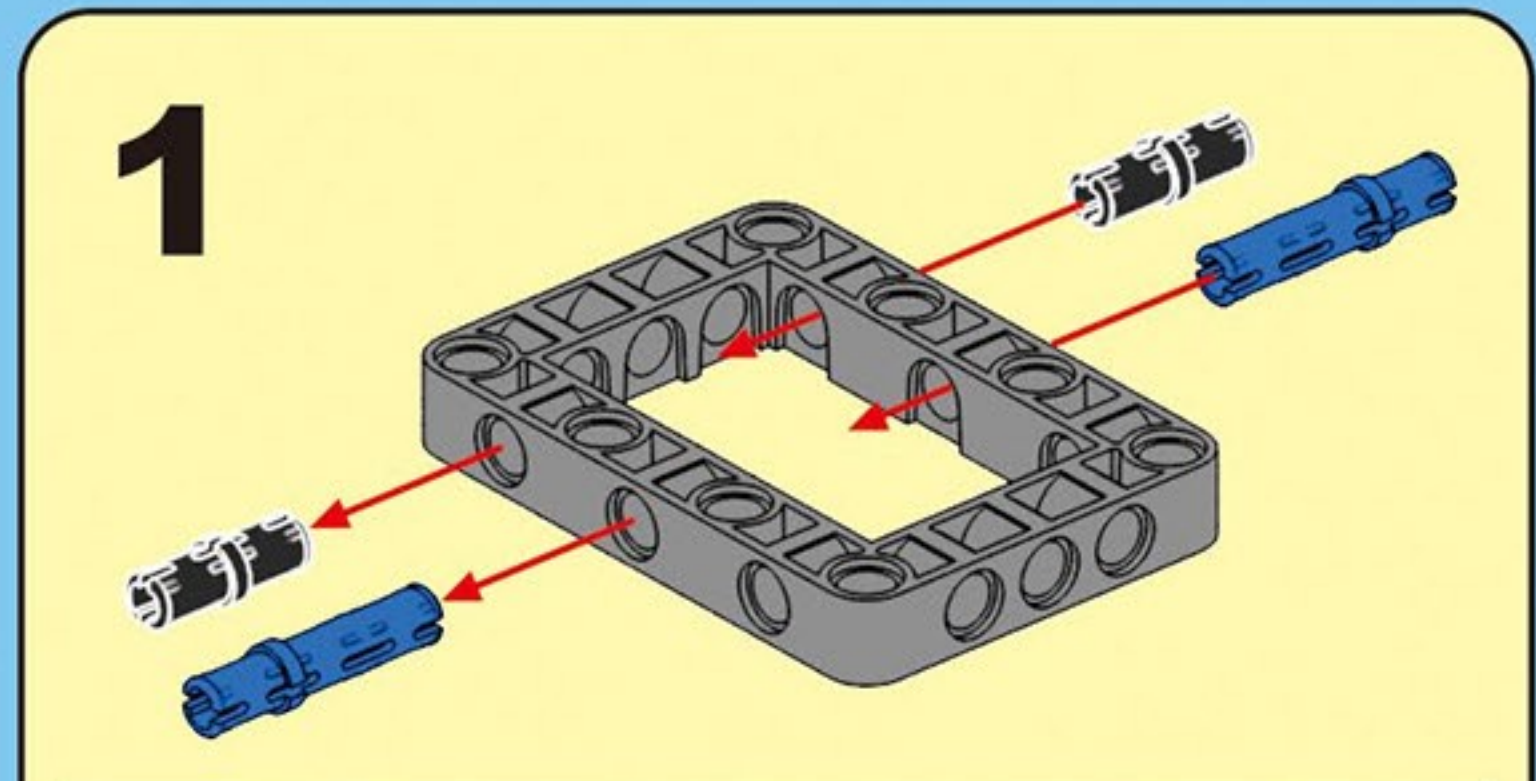
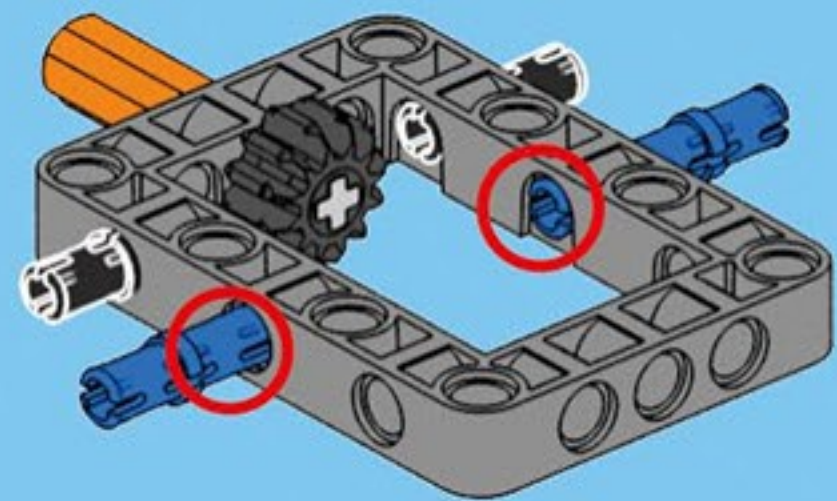


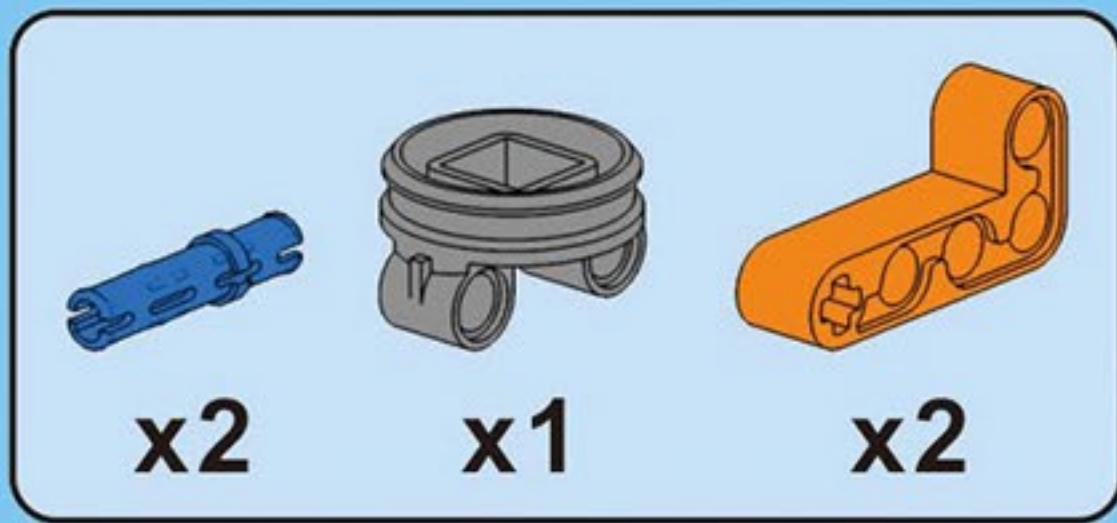


I2

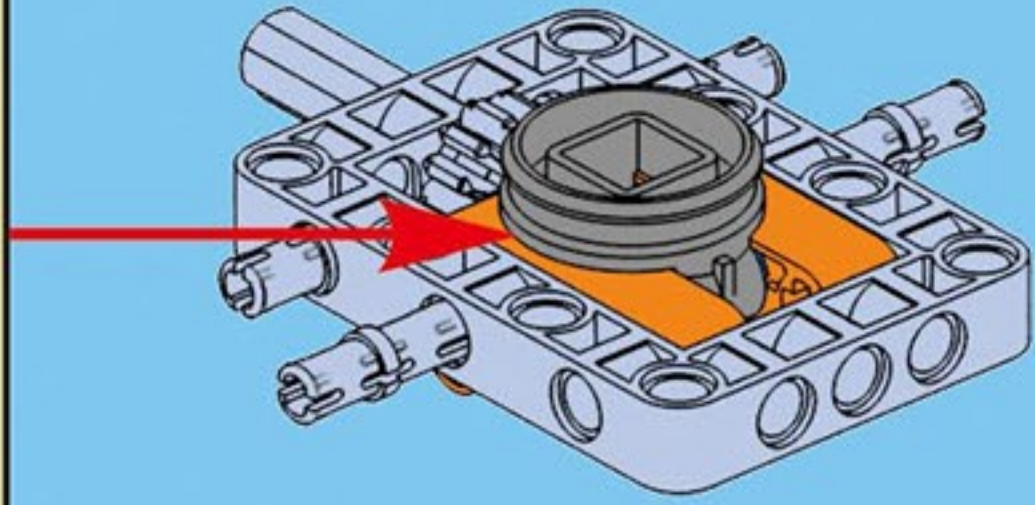
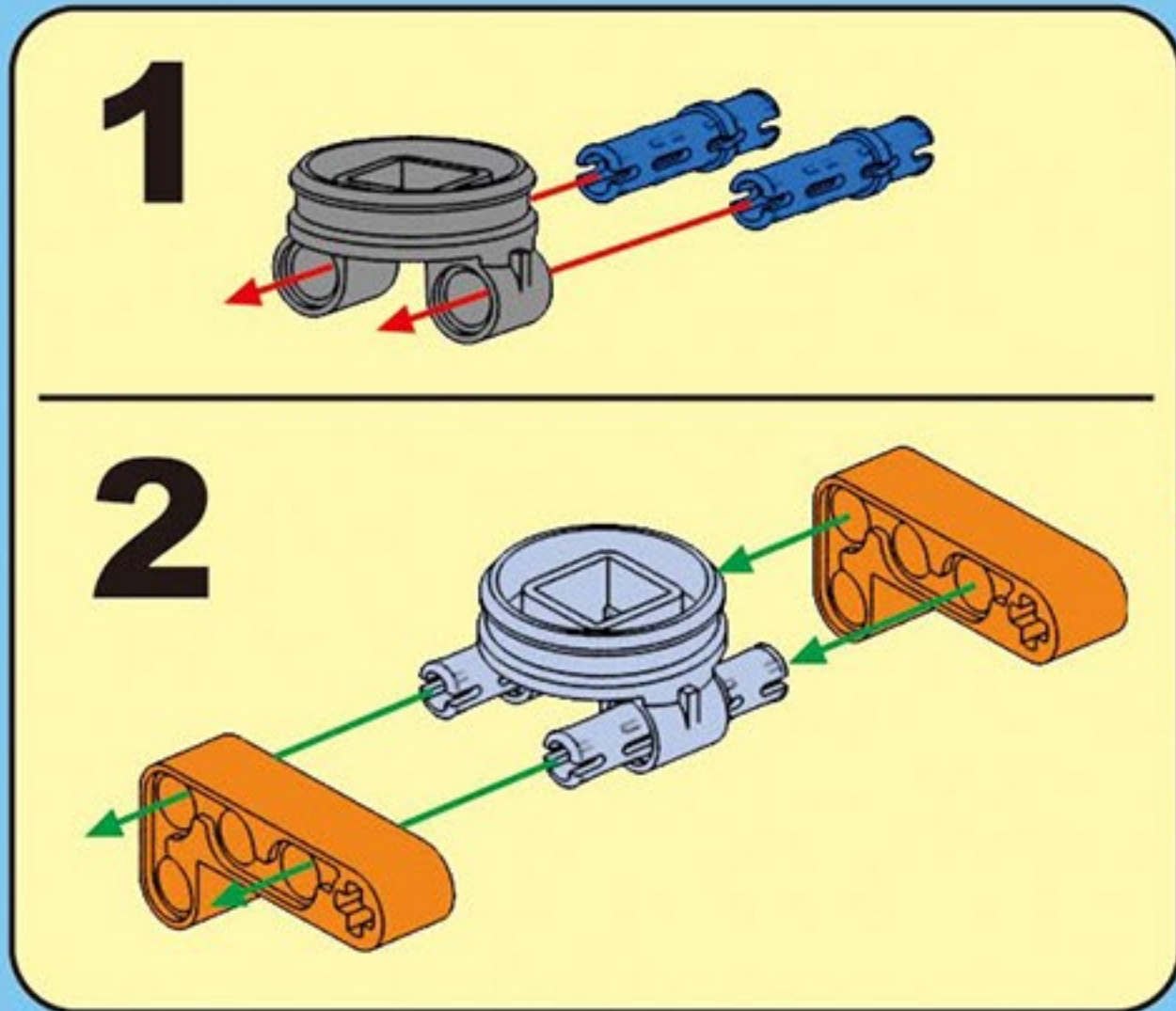


I3

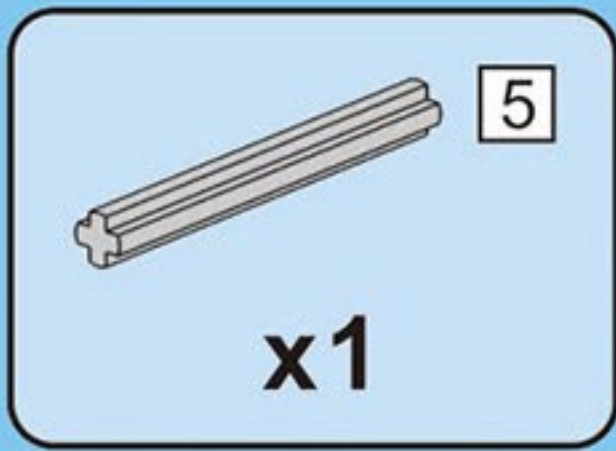
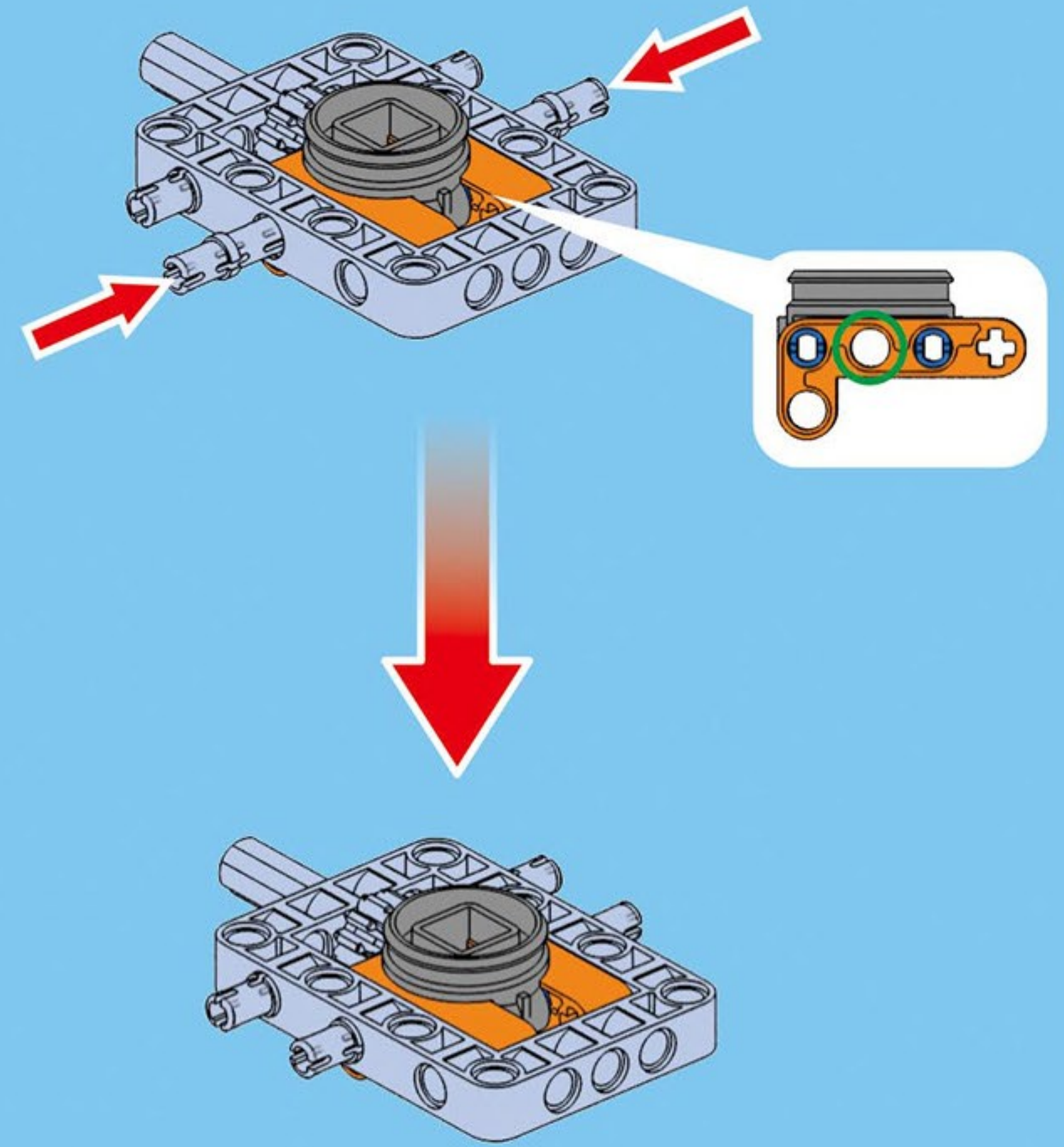




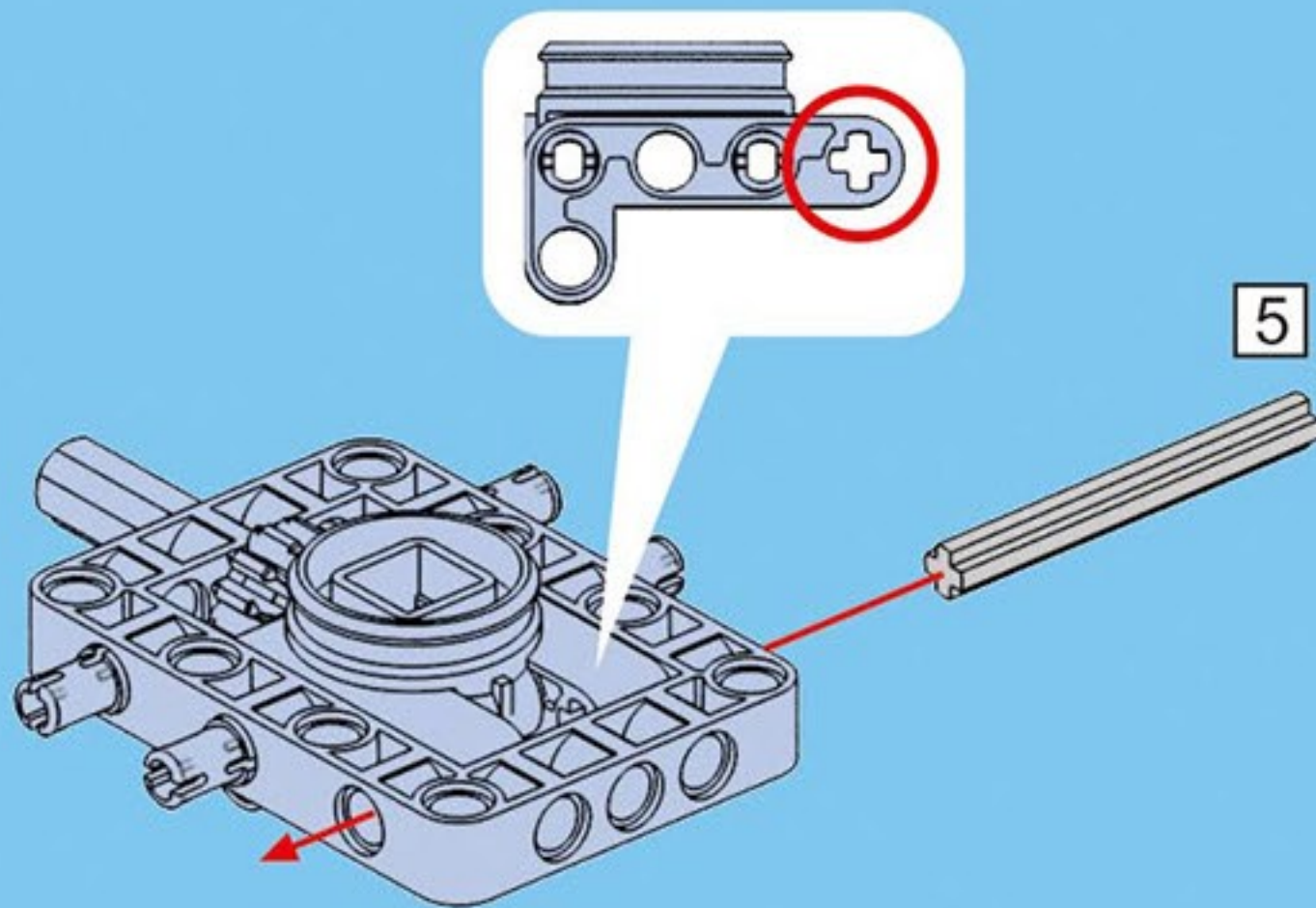
14



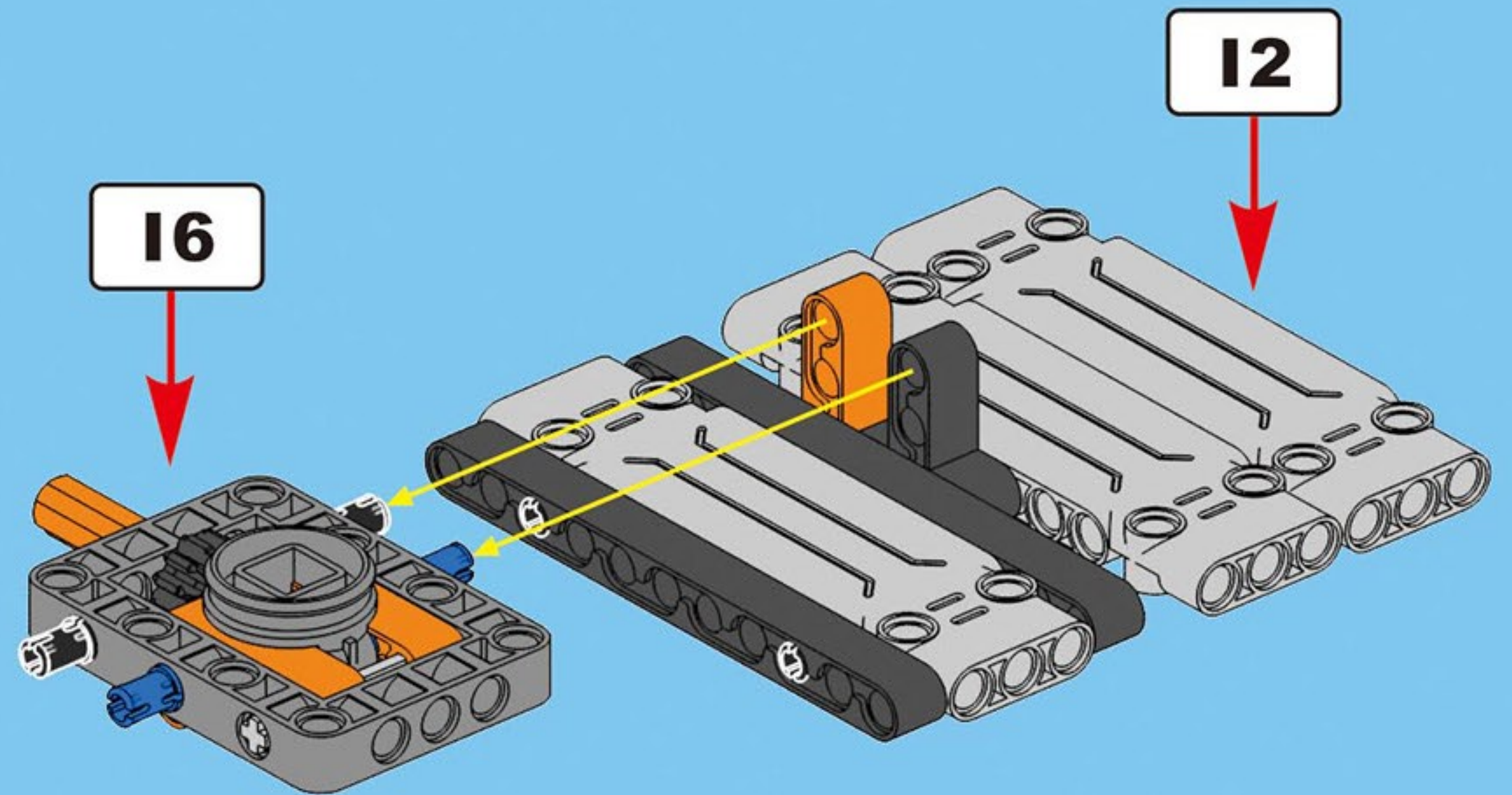
15

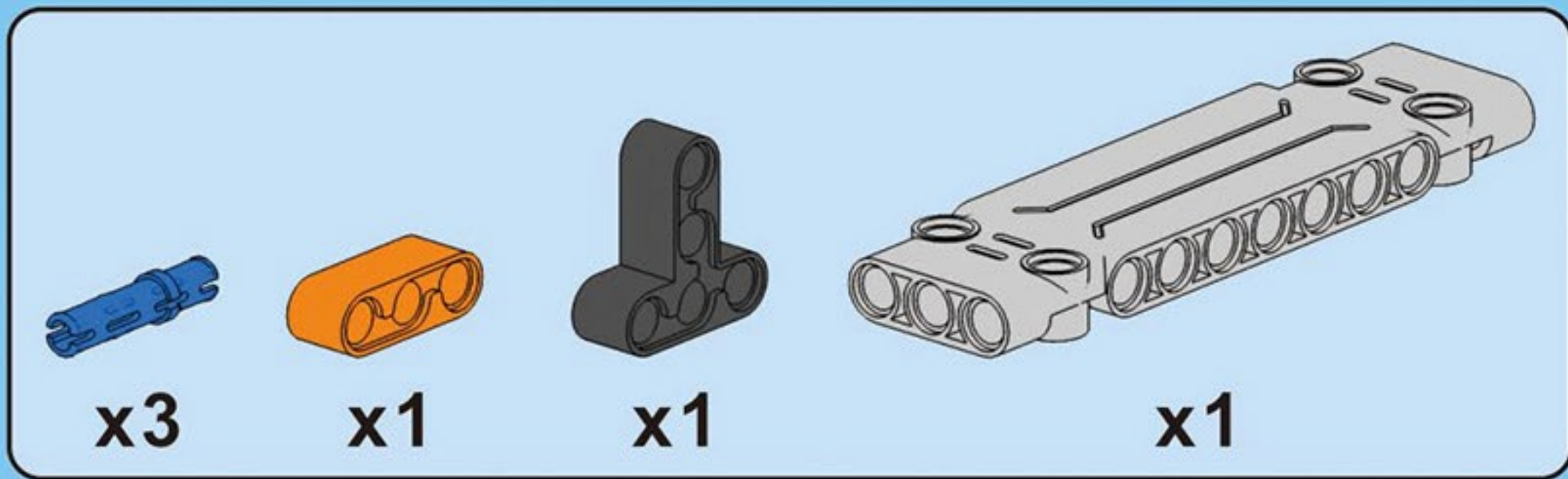


16

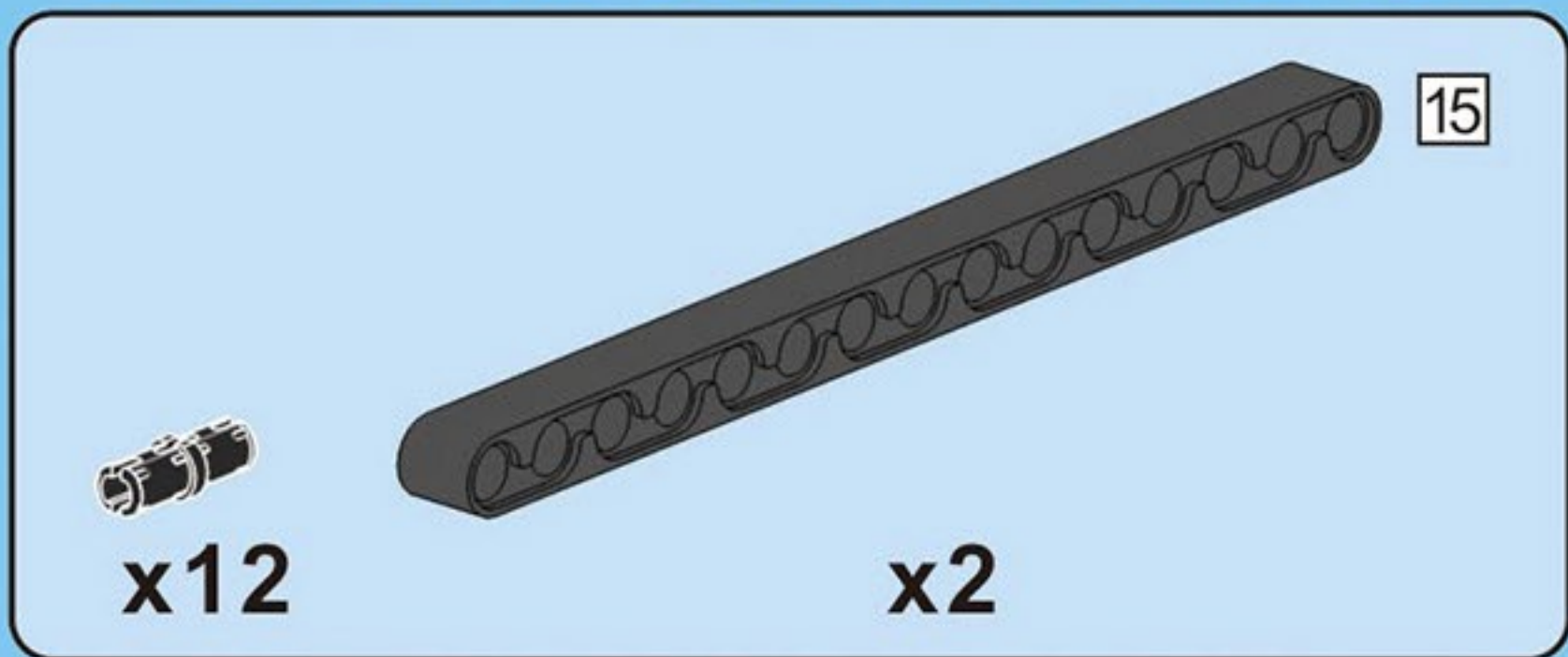
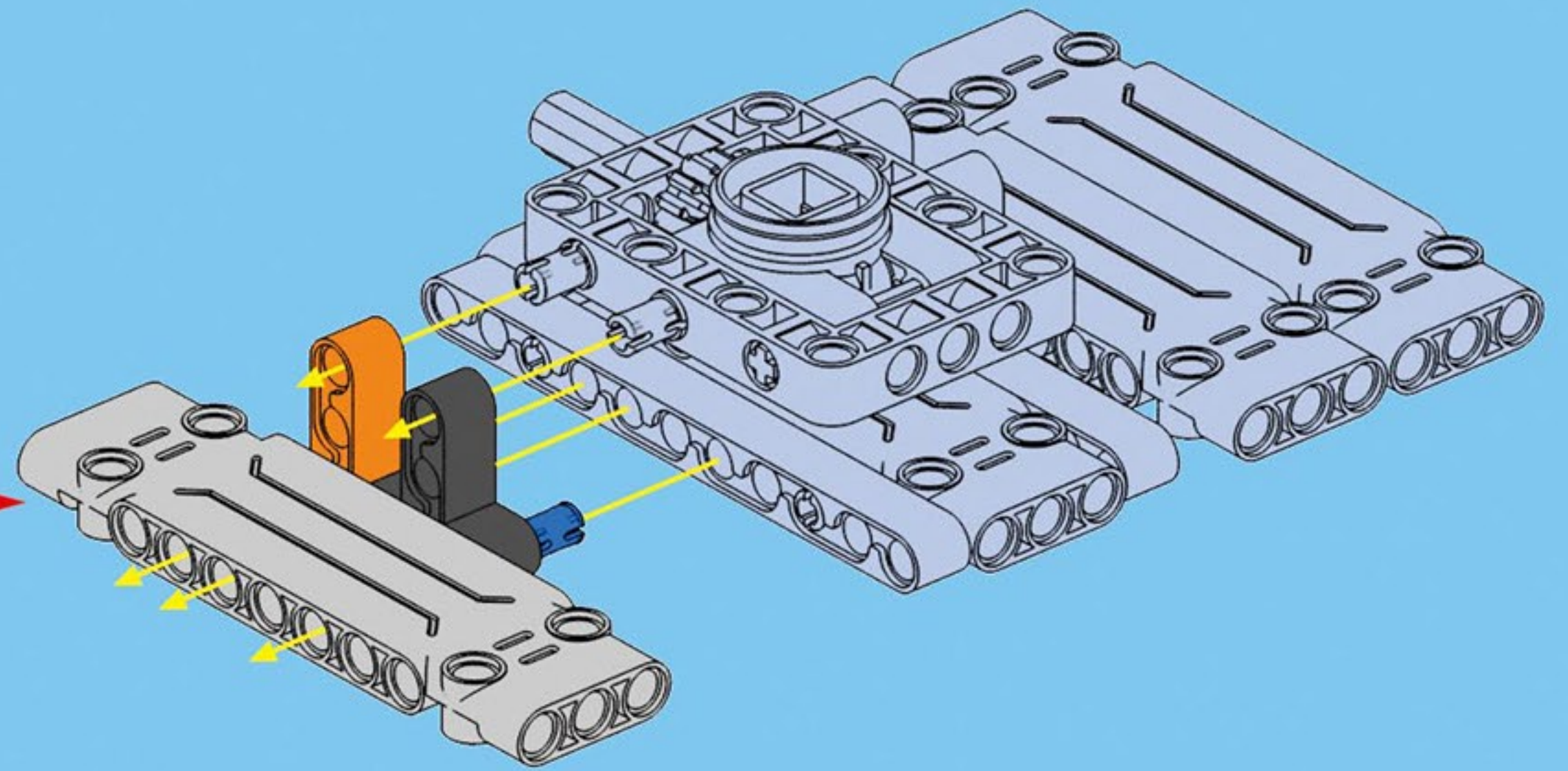
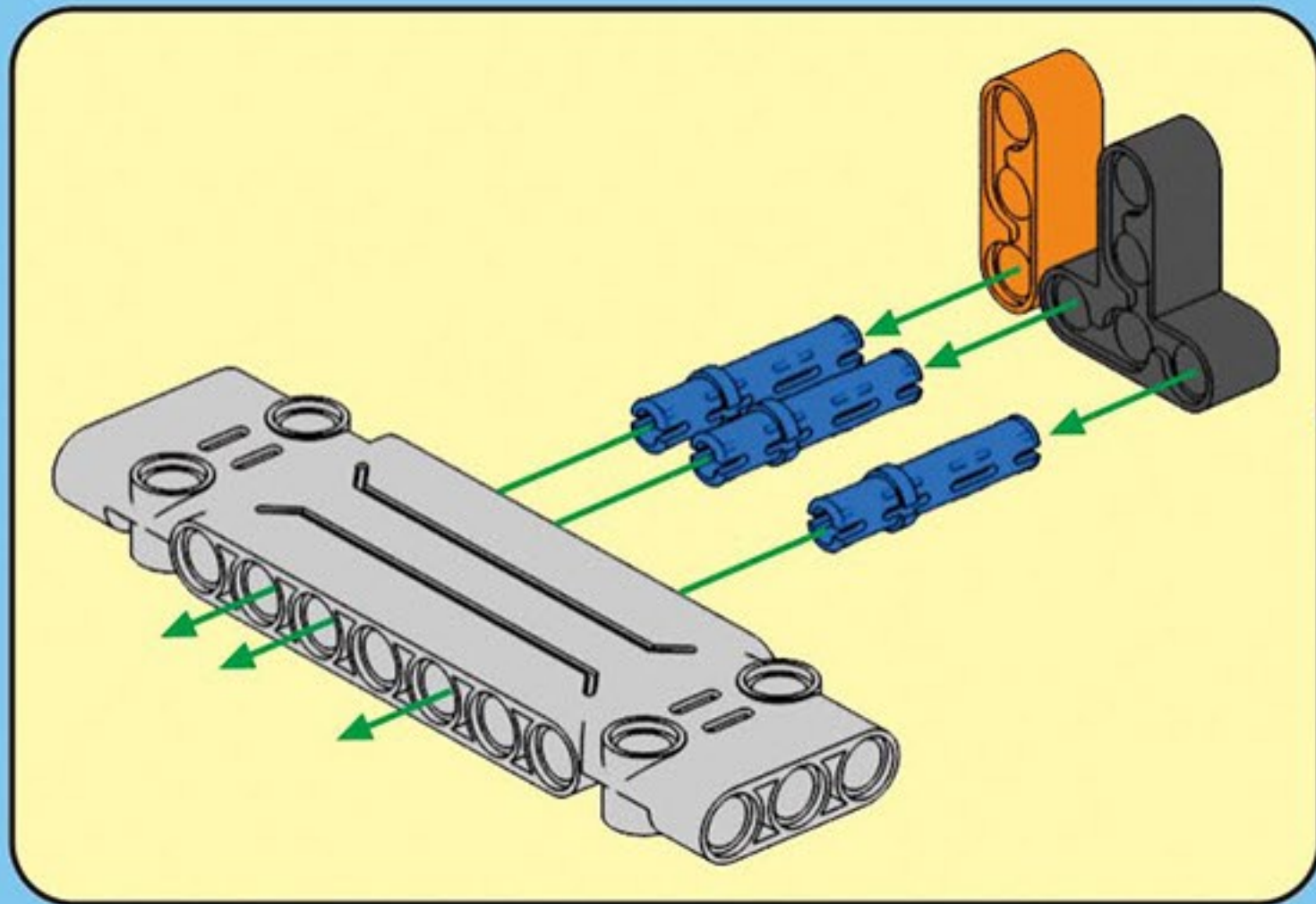


17

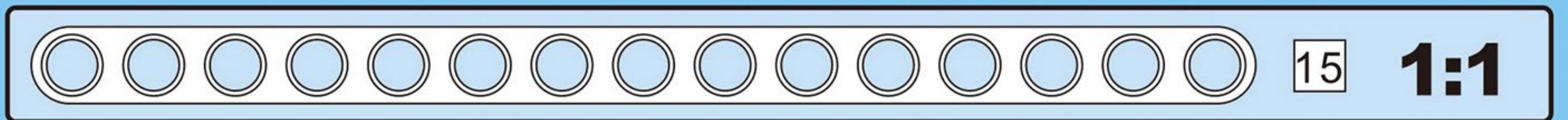
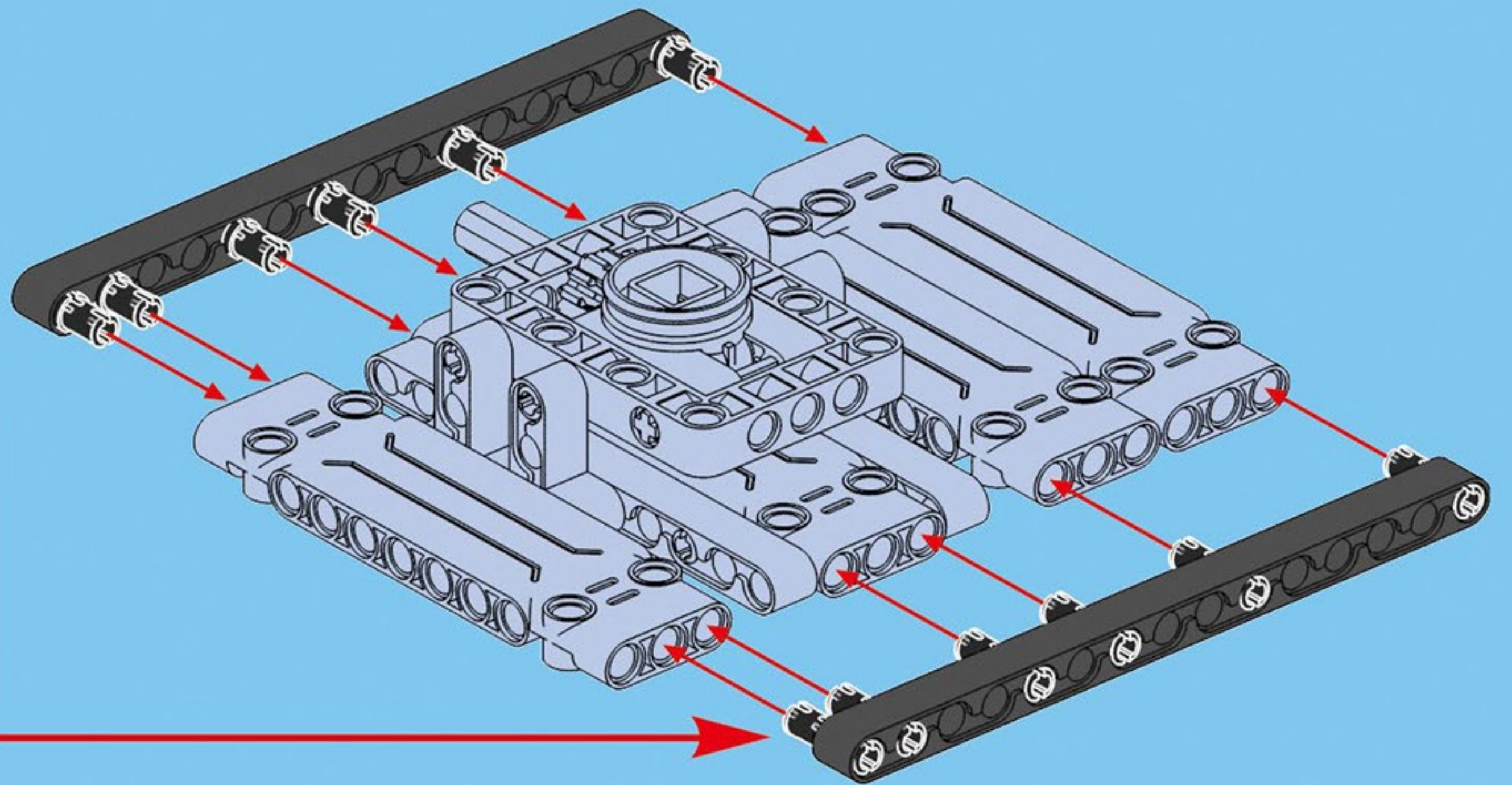
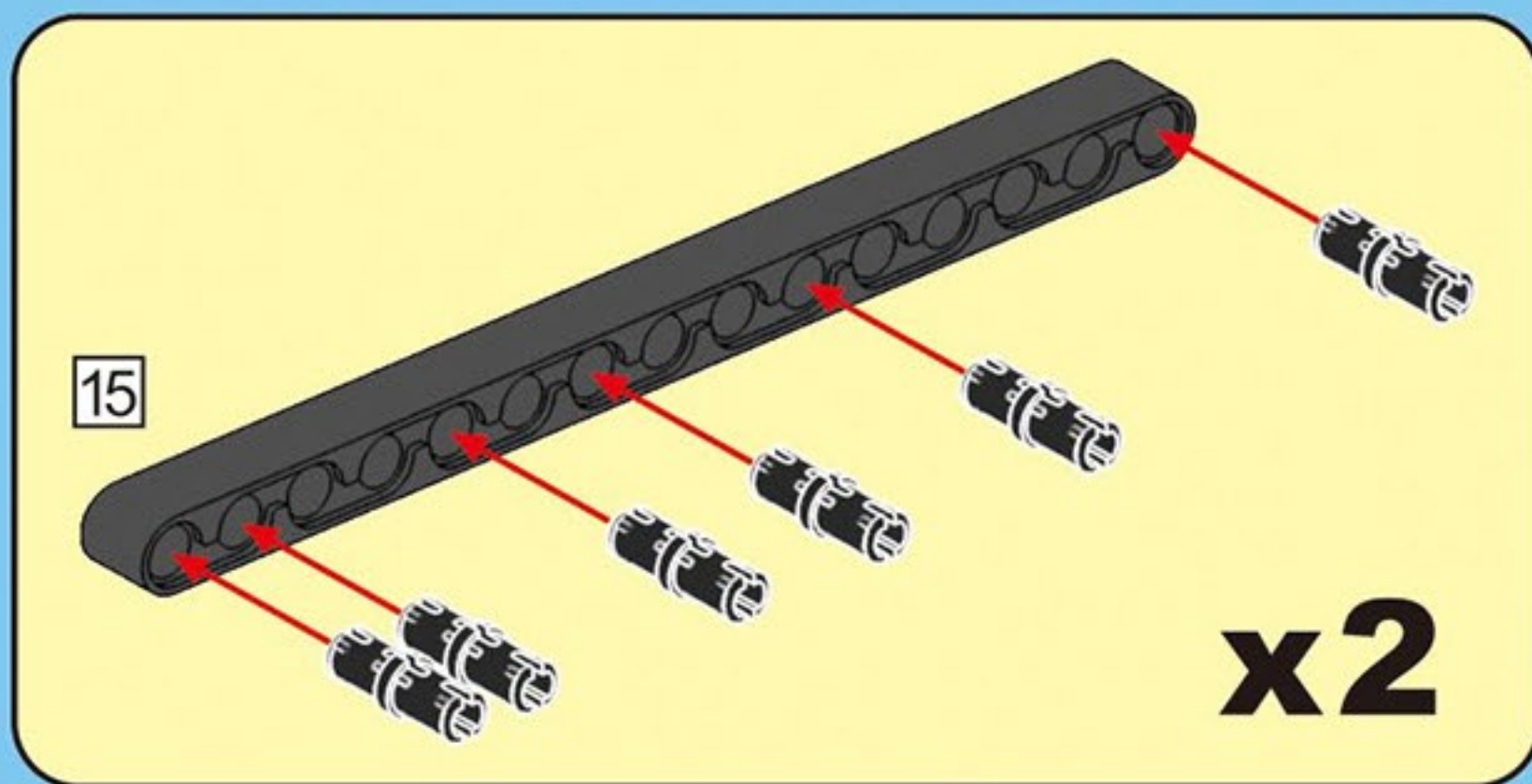


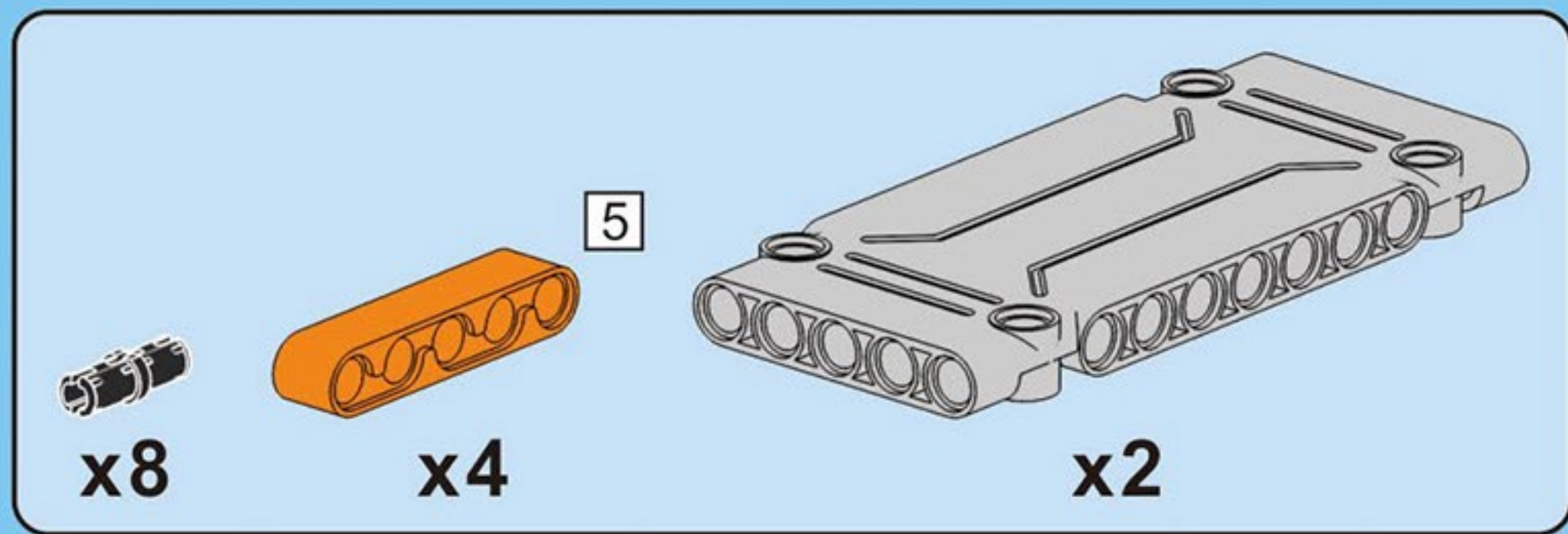


18

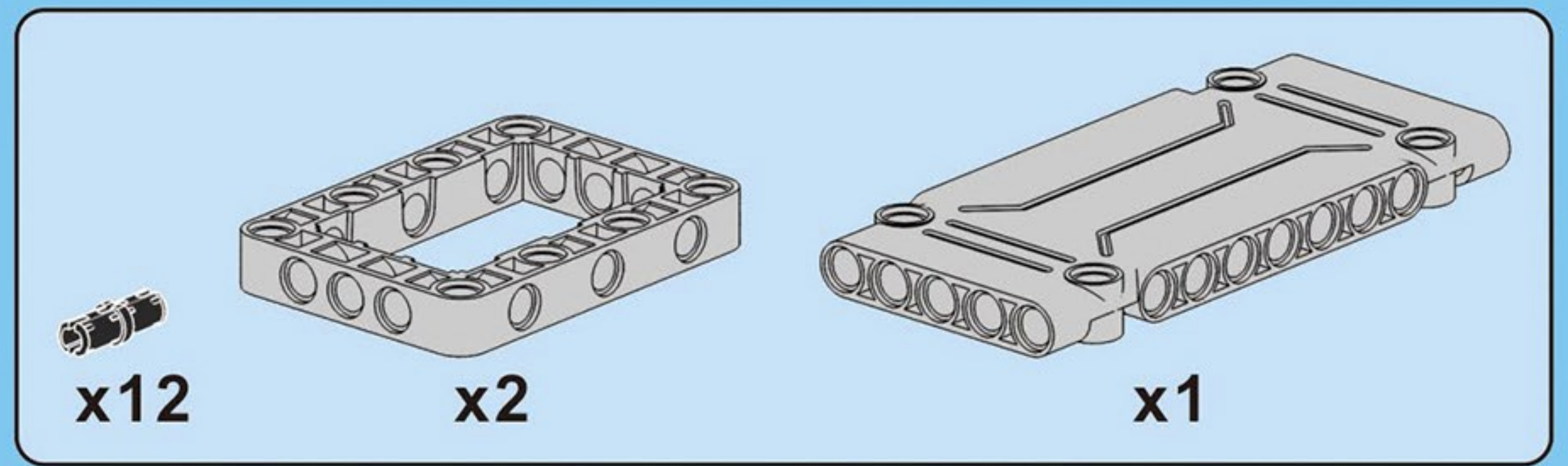
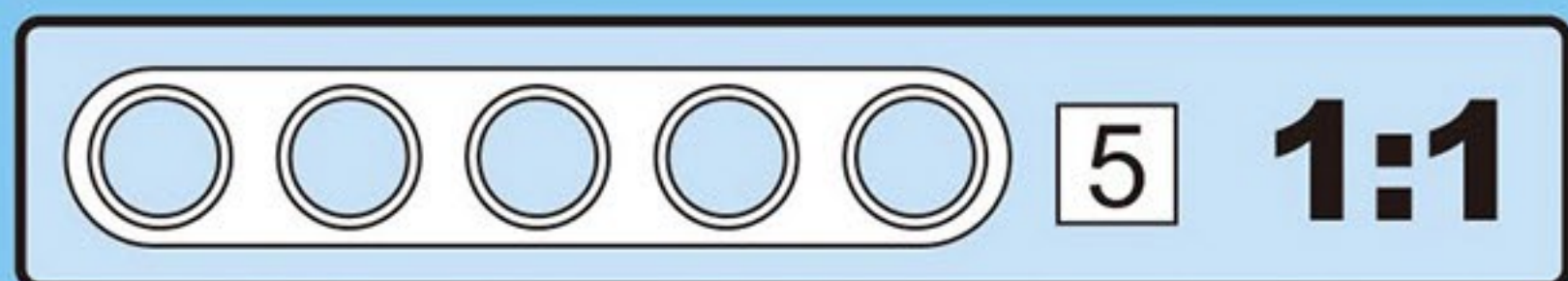
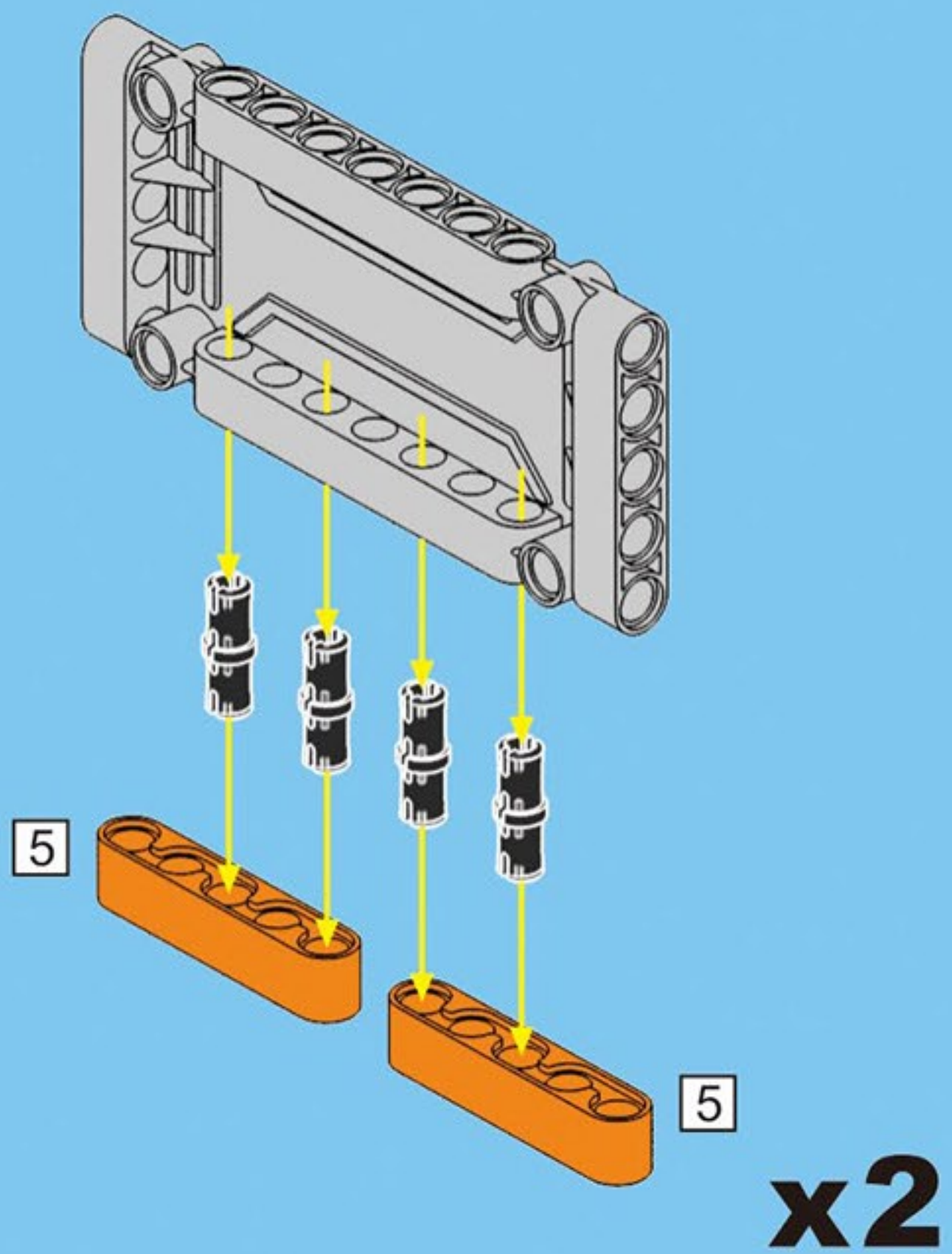


19

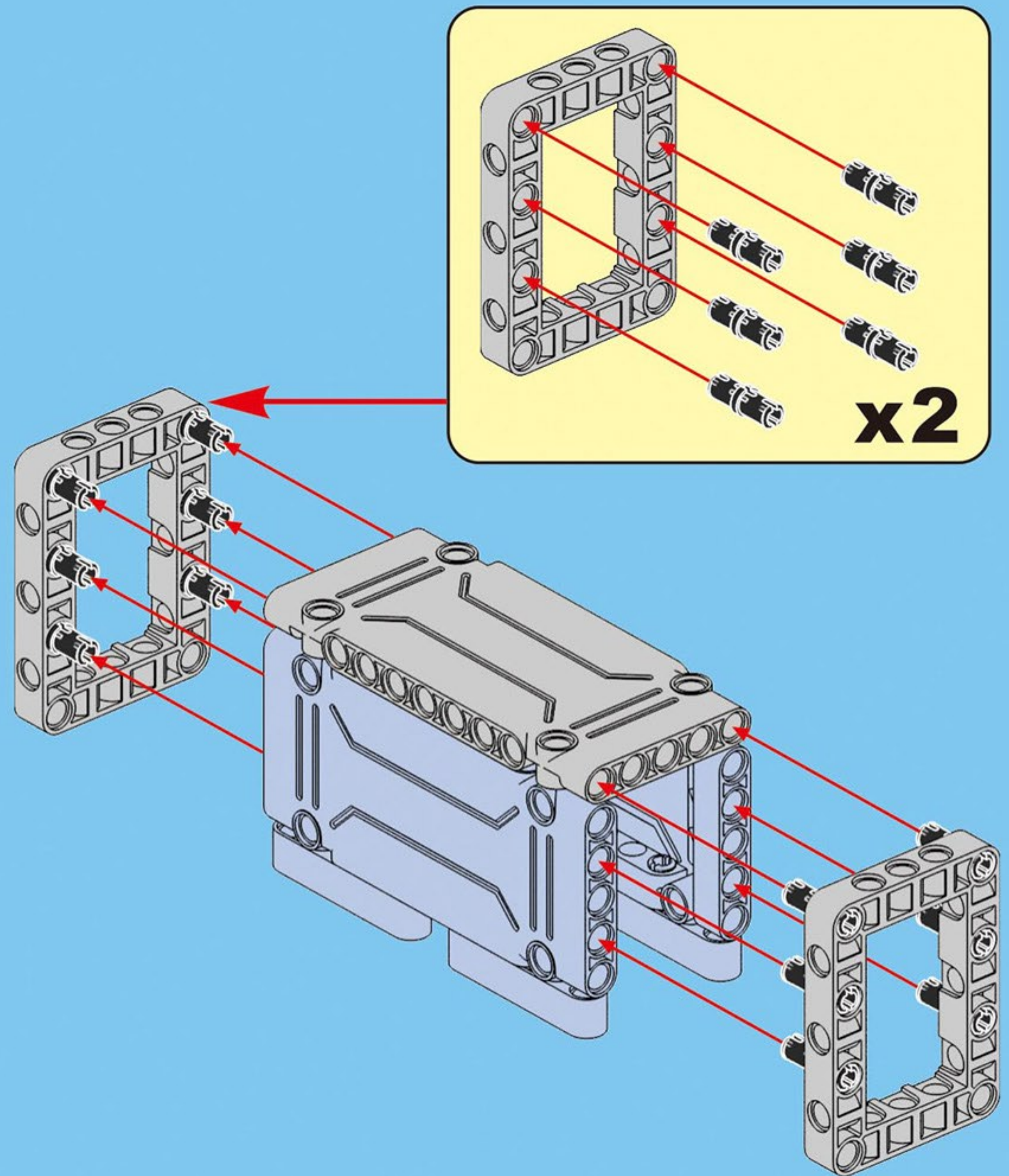


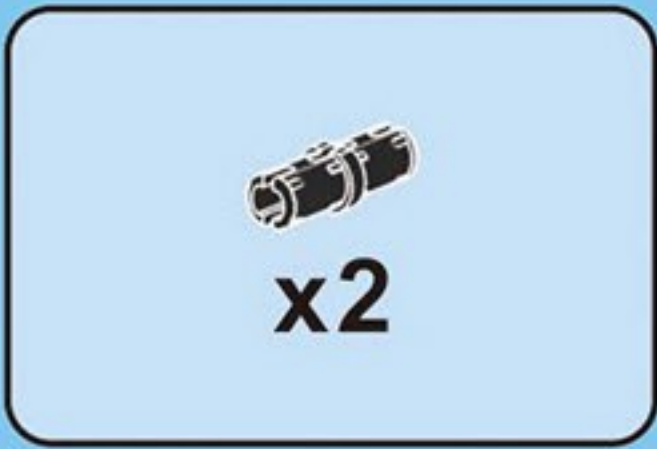


I10

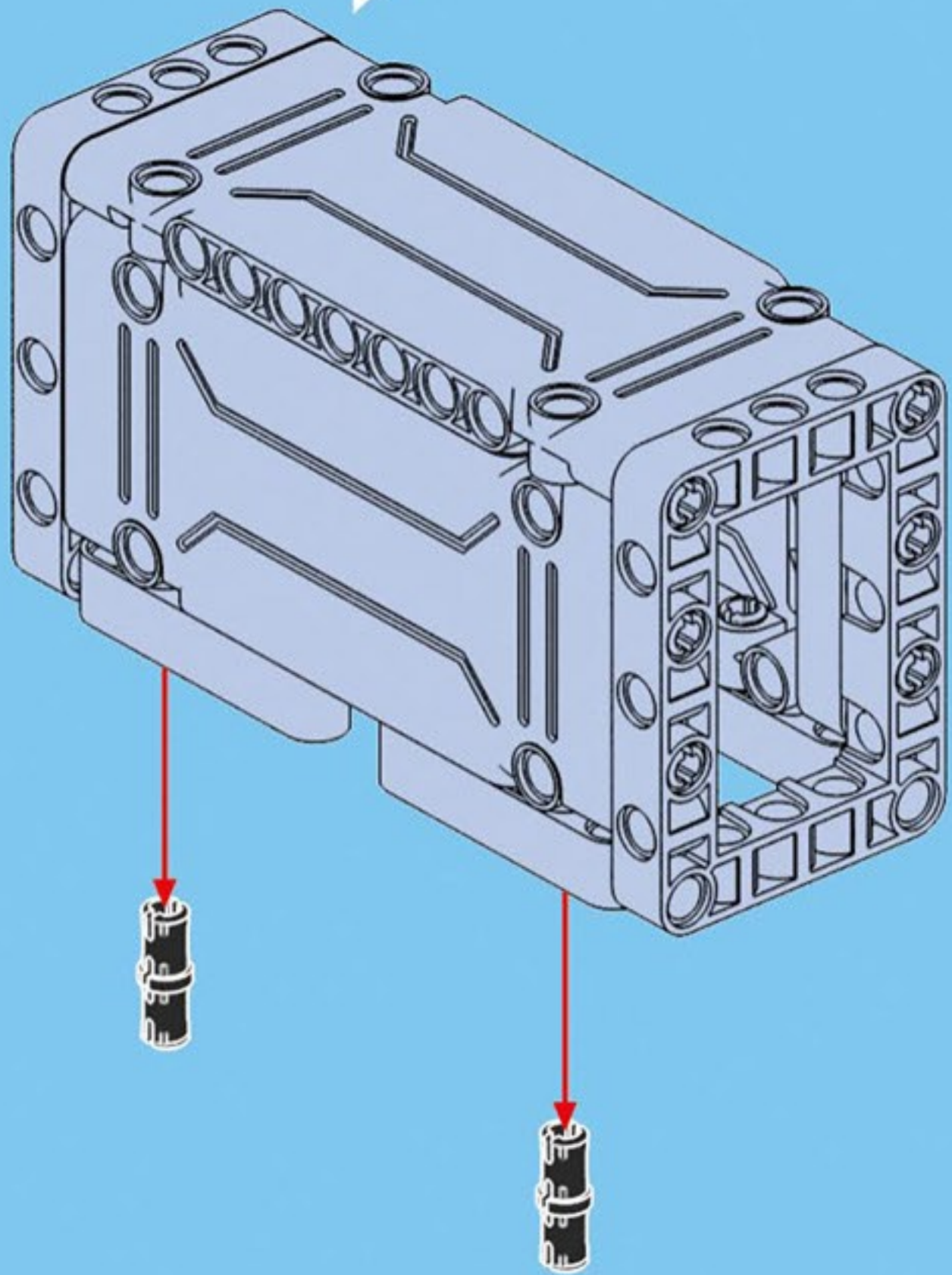
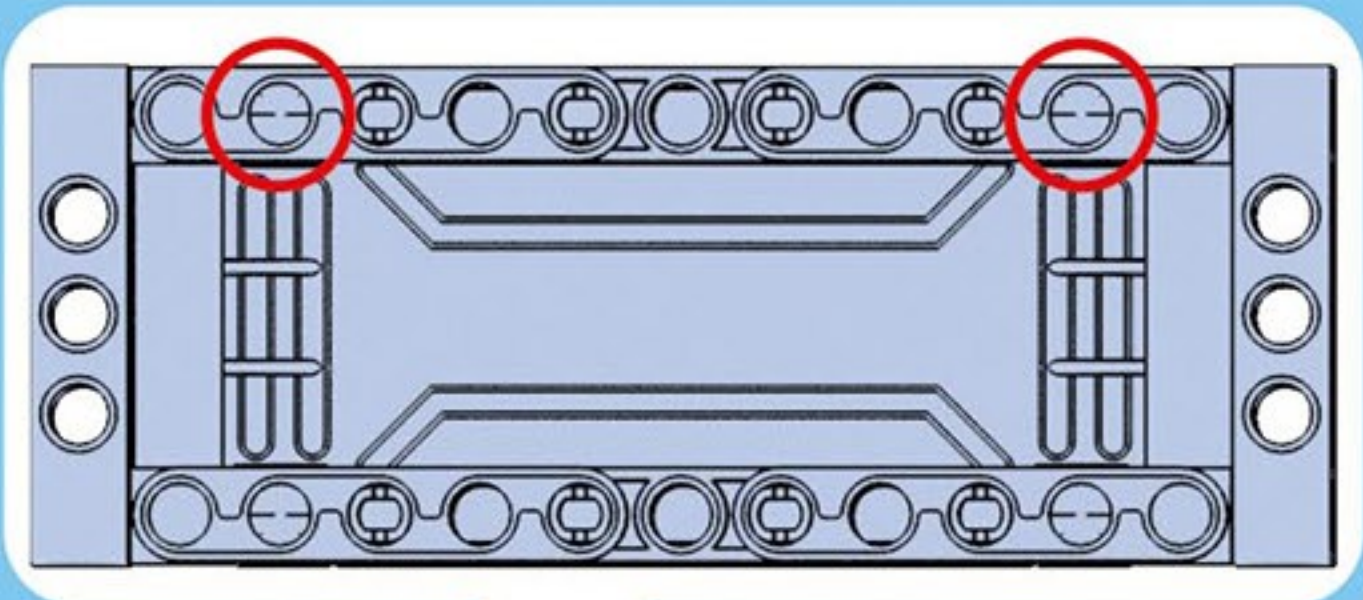


I11



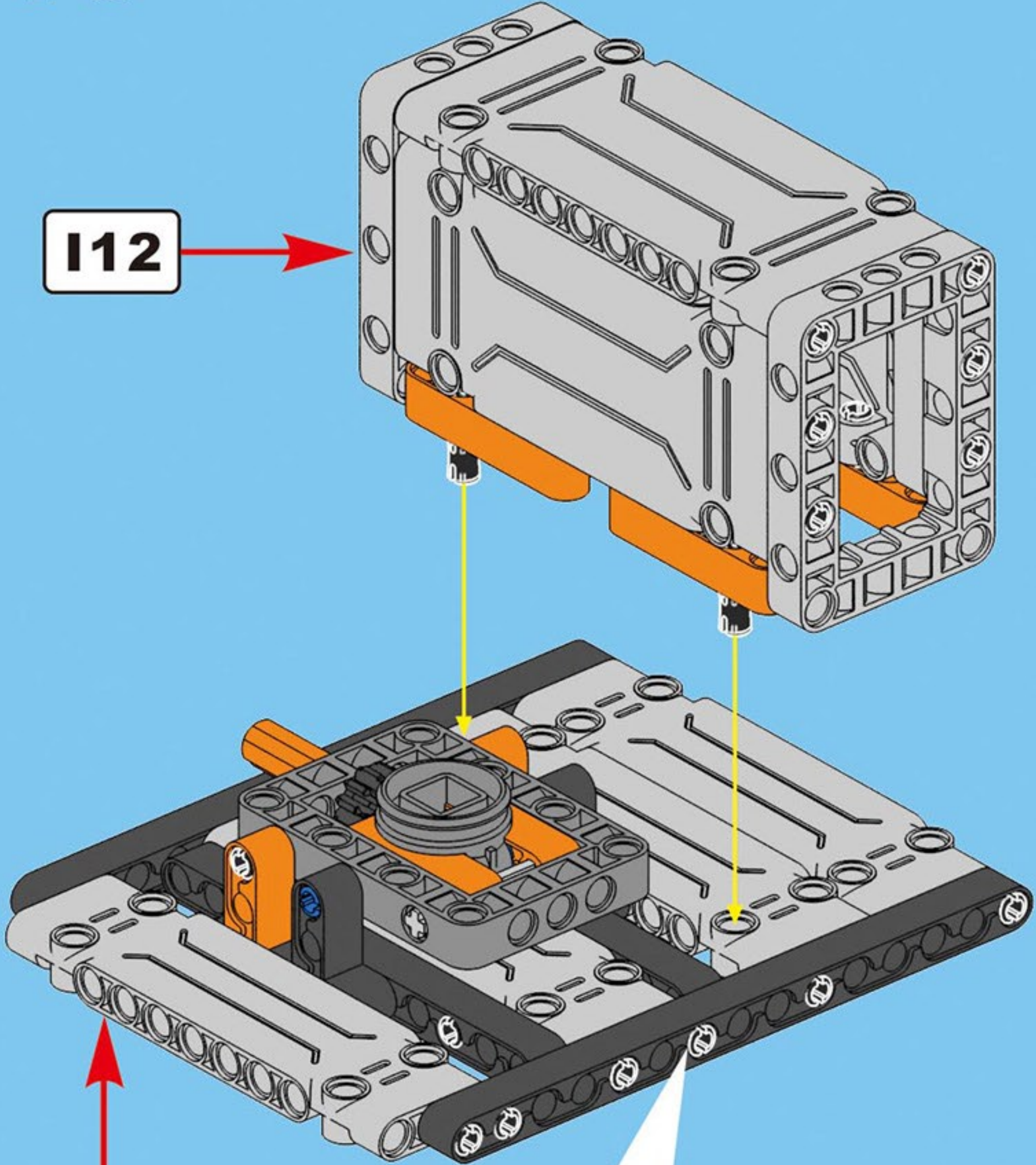


I12

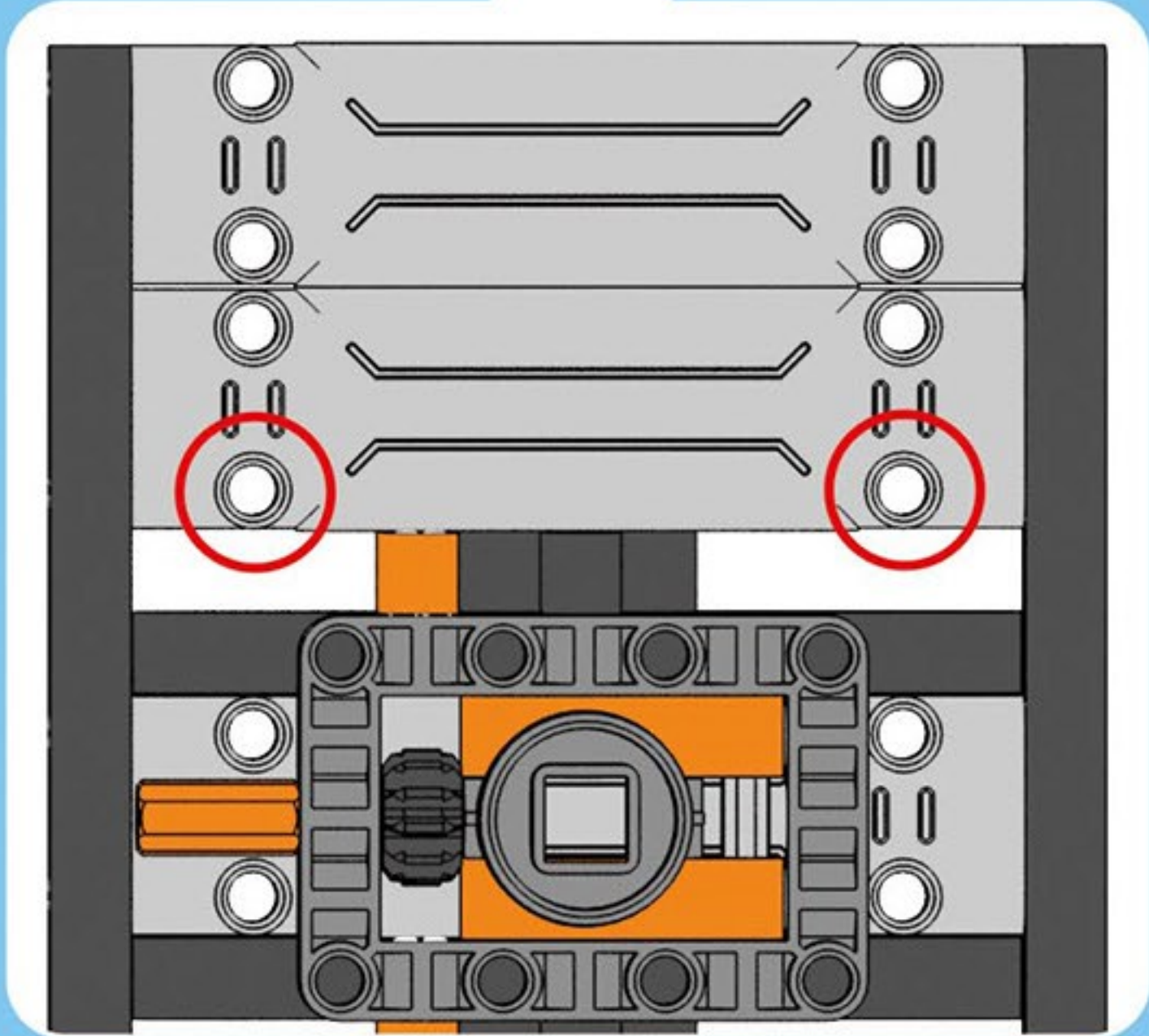


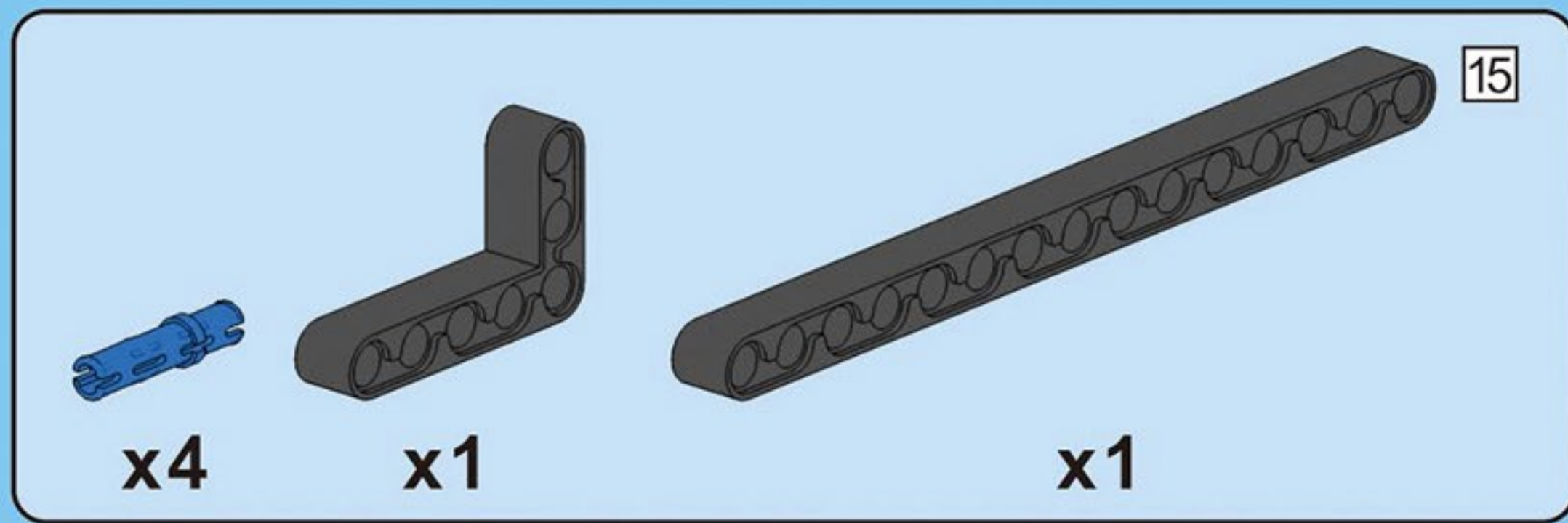
I13

I12

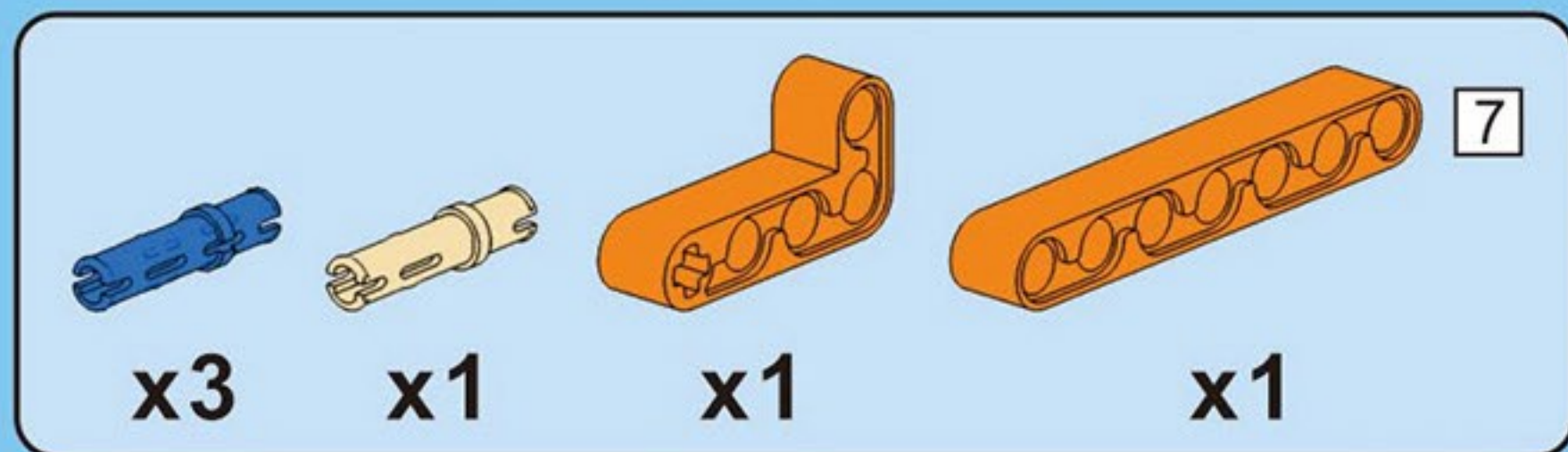
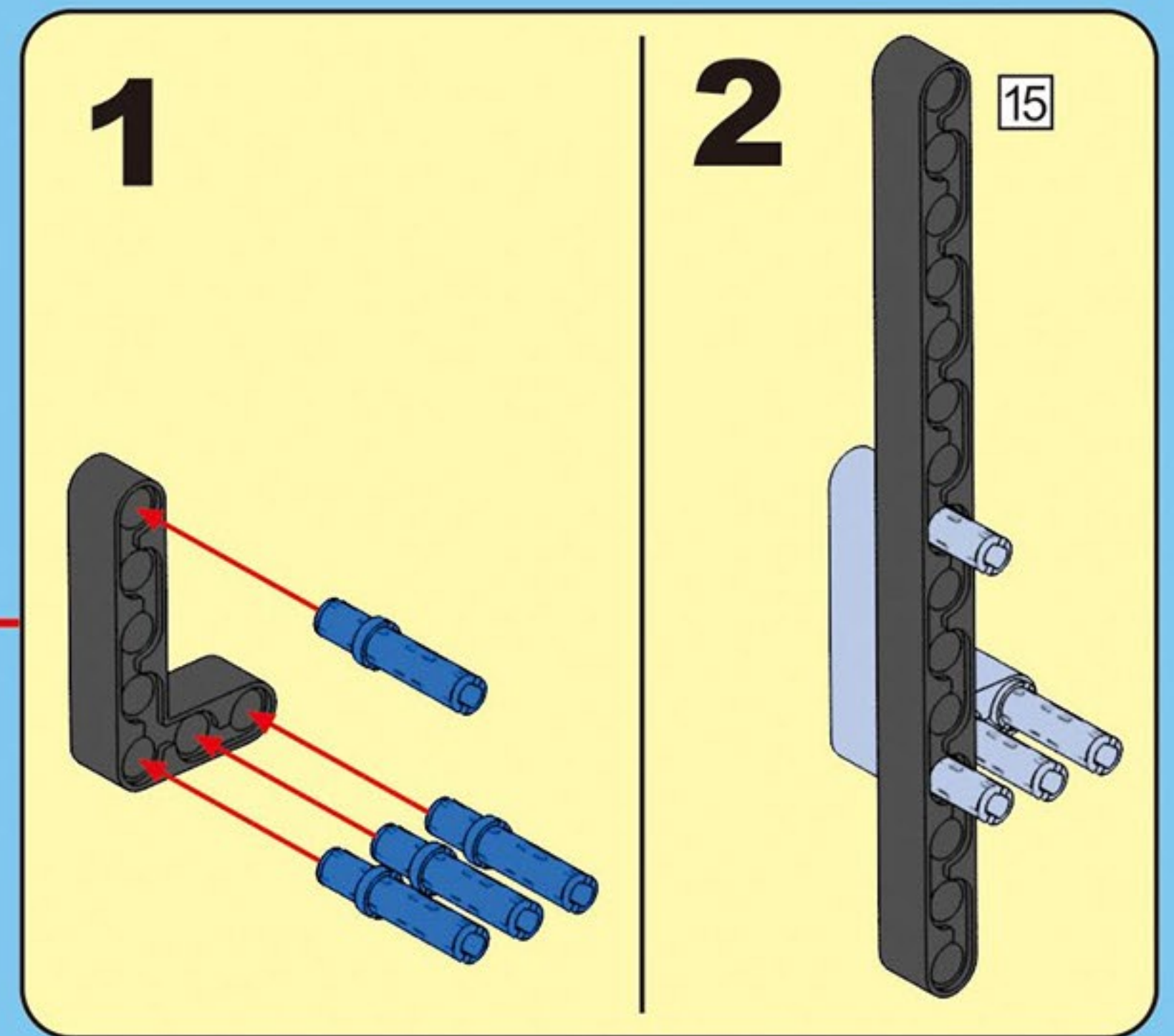
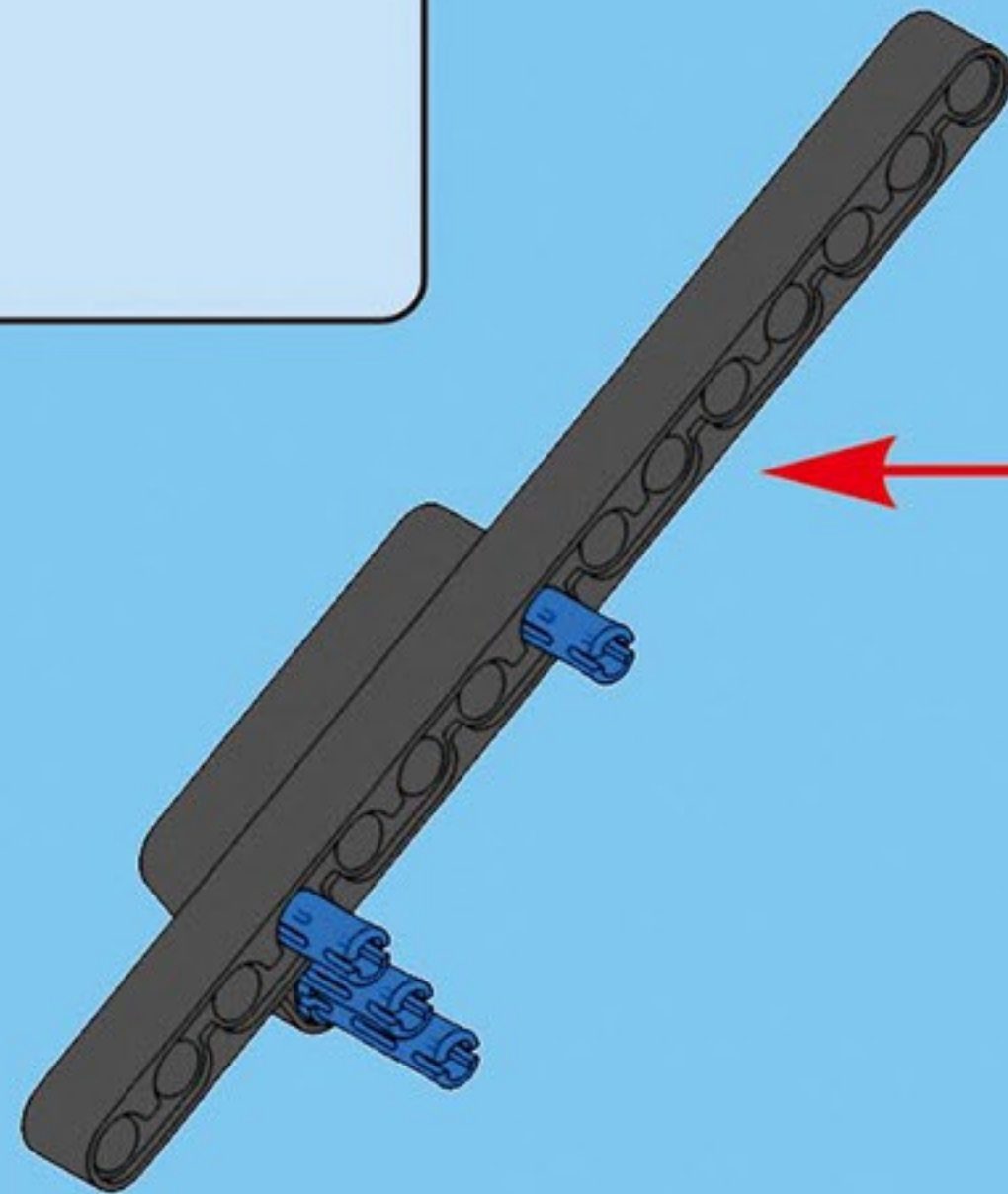


I19

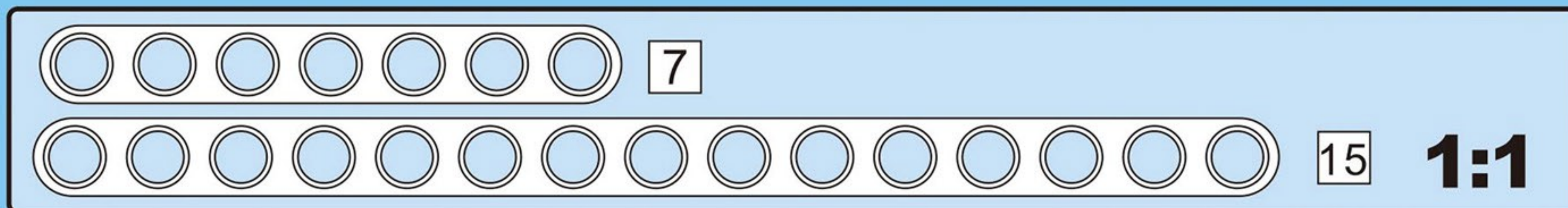
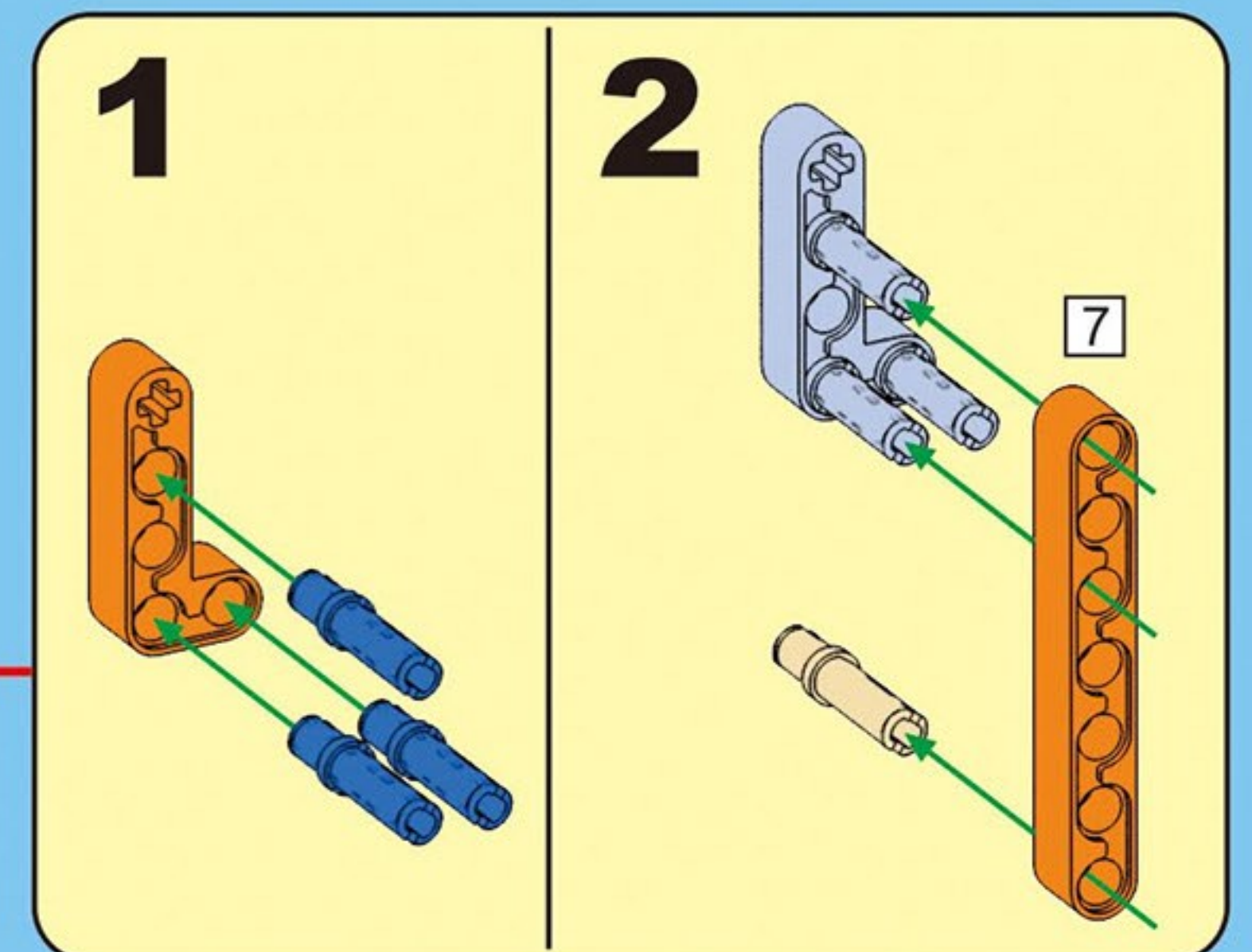
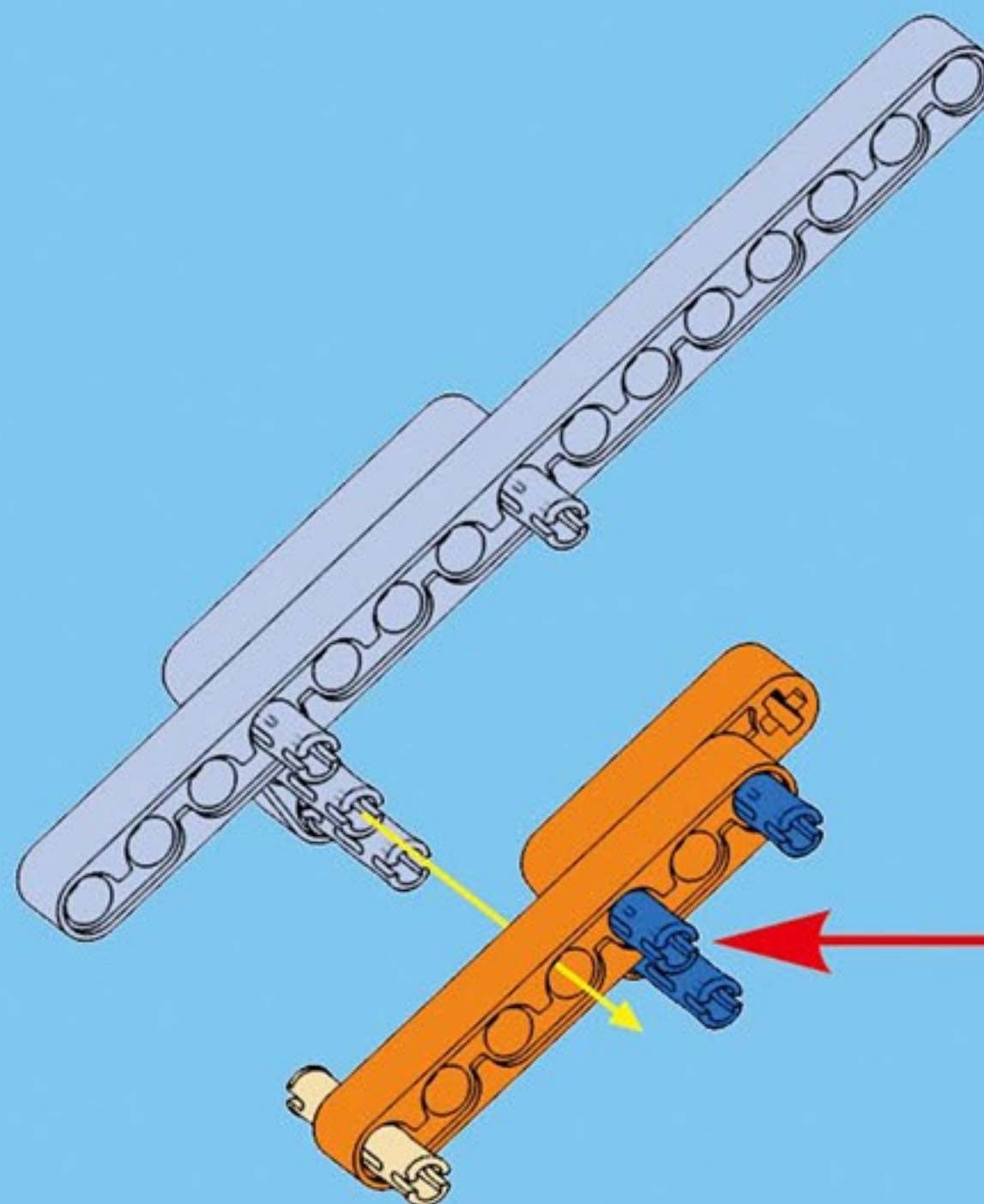


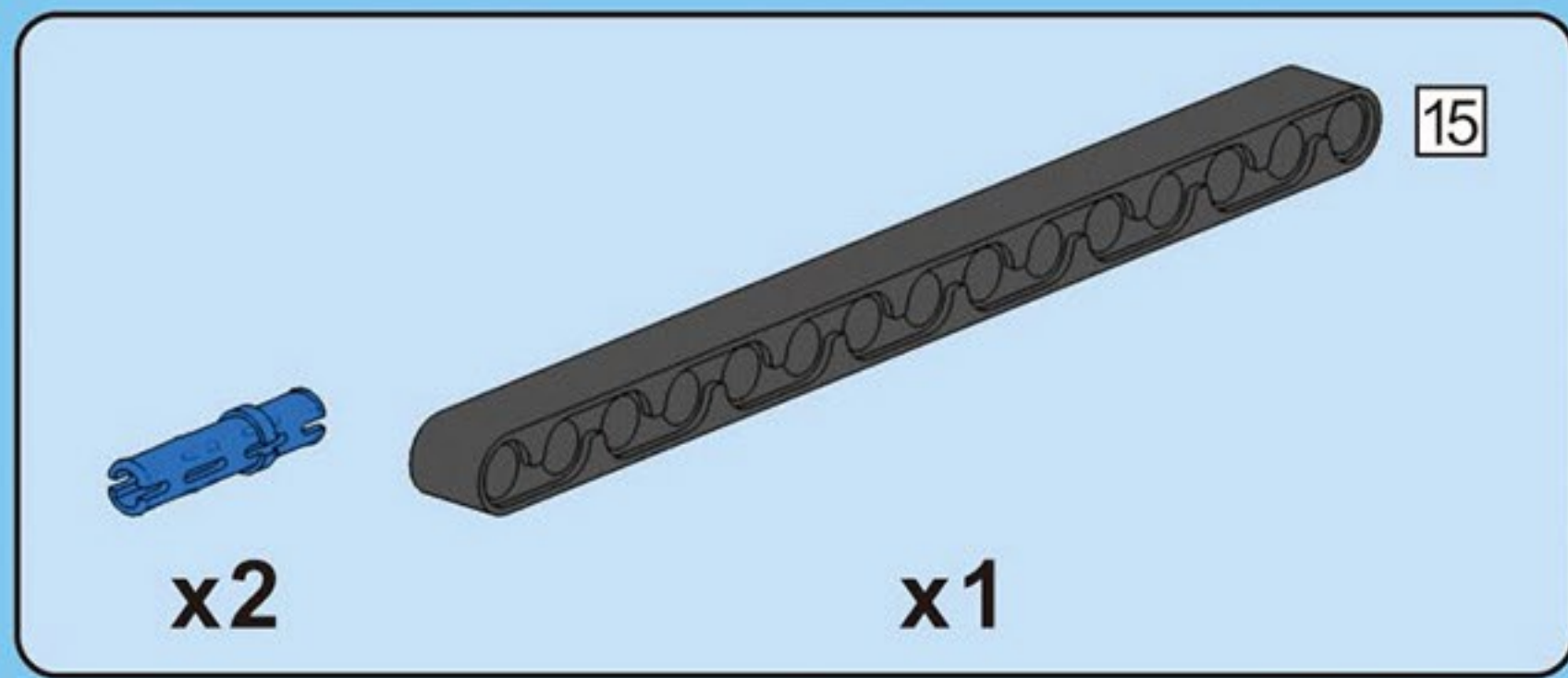


I14

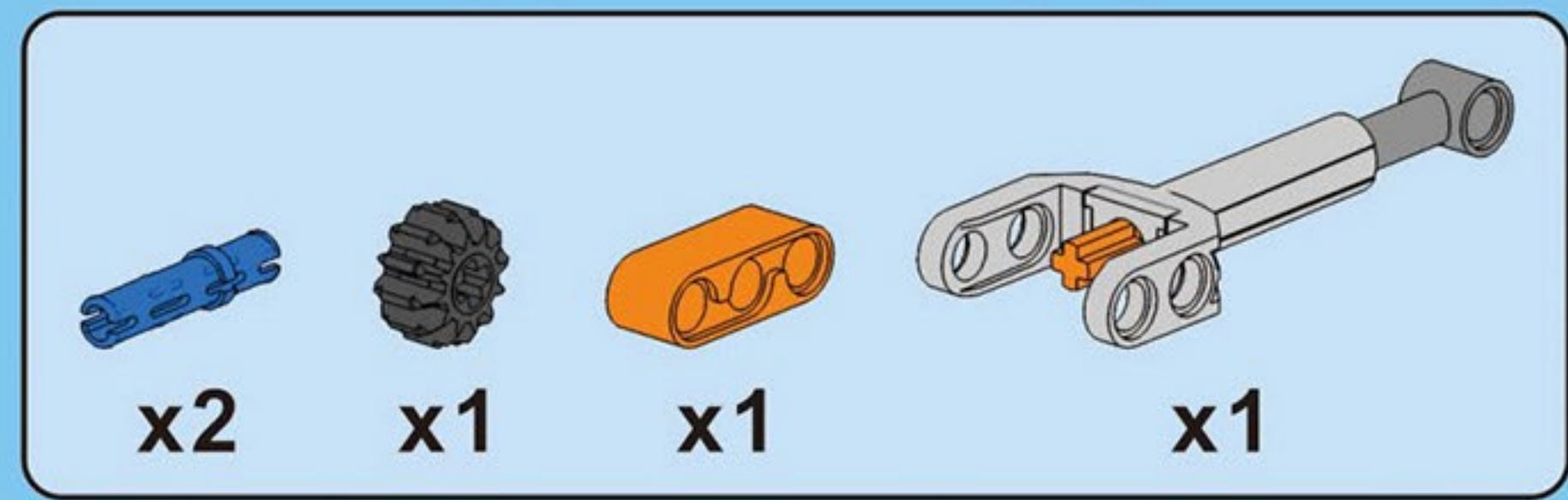
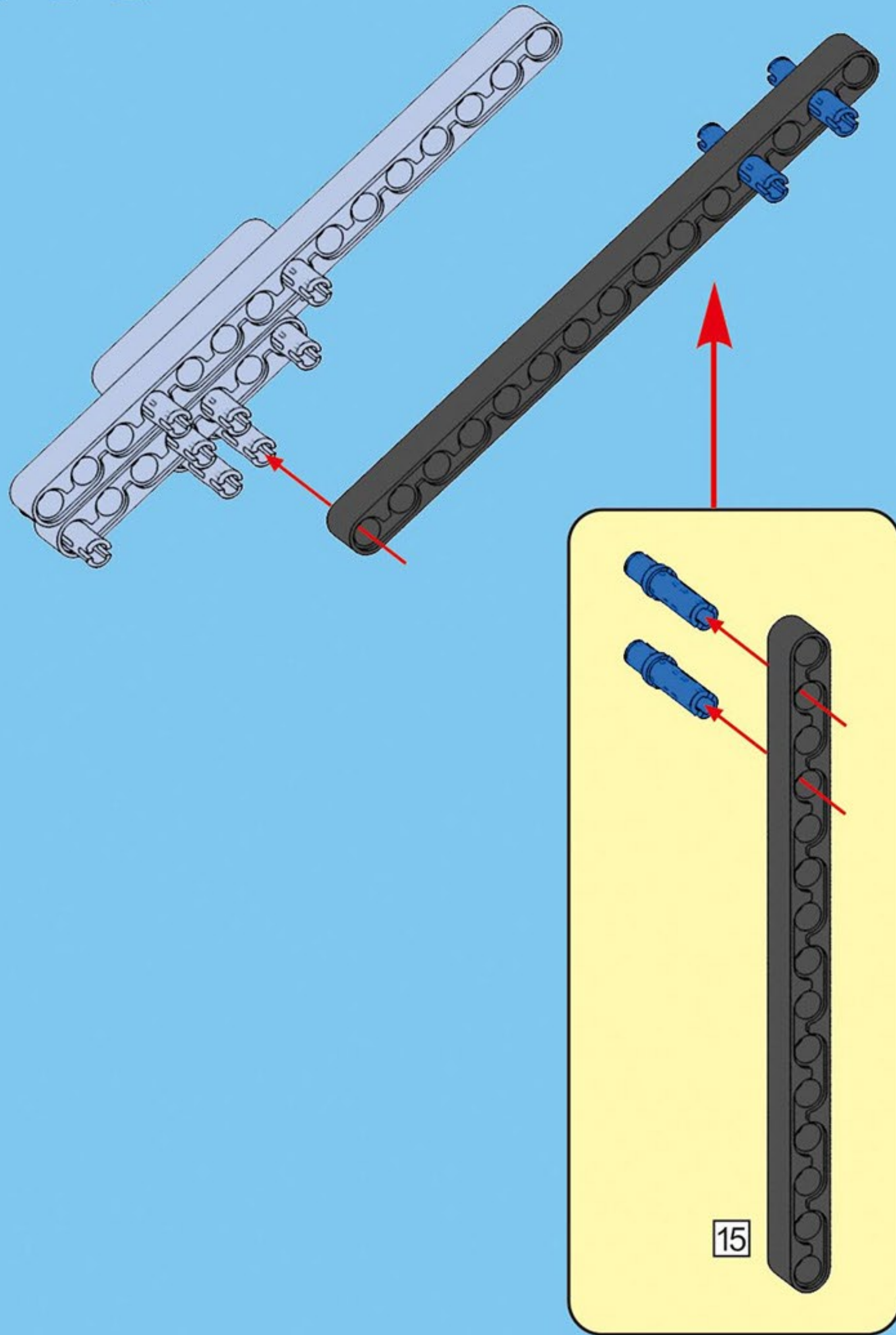


I15

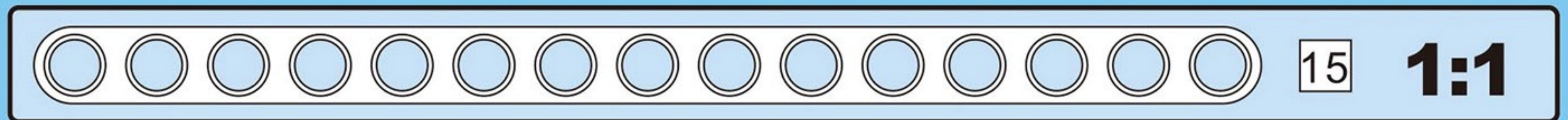
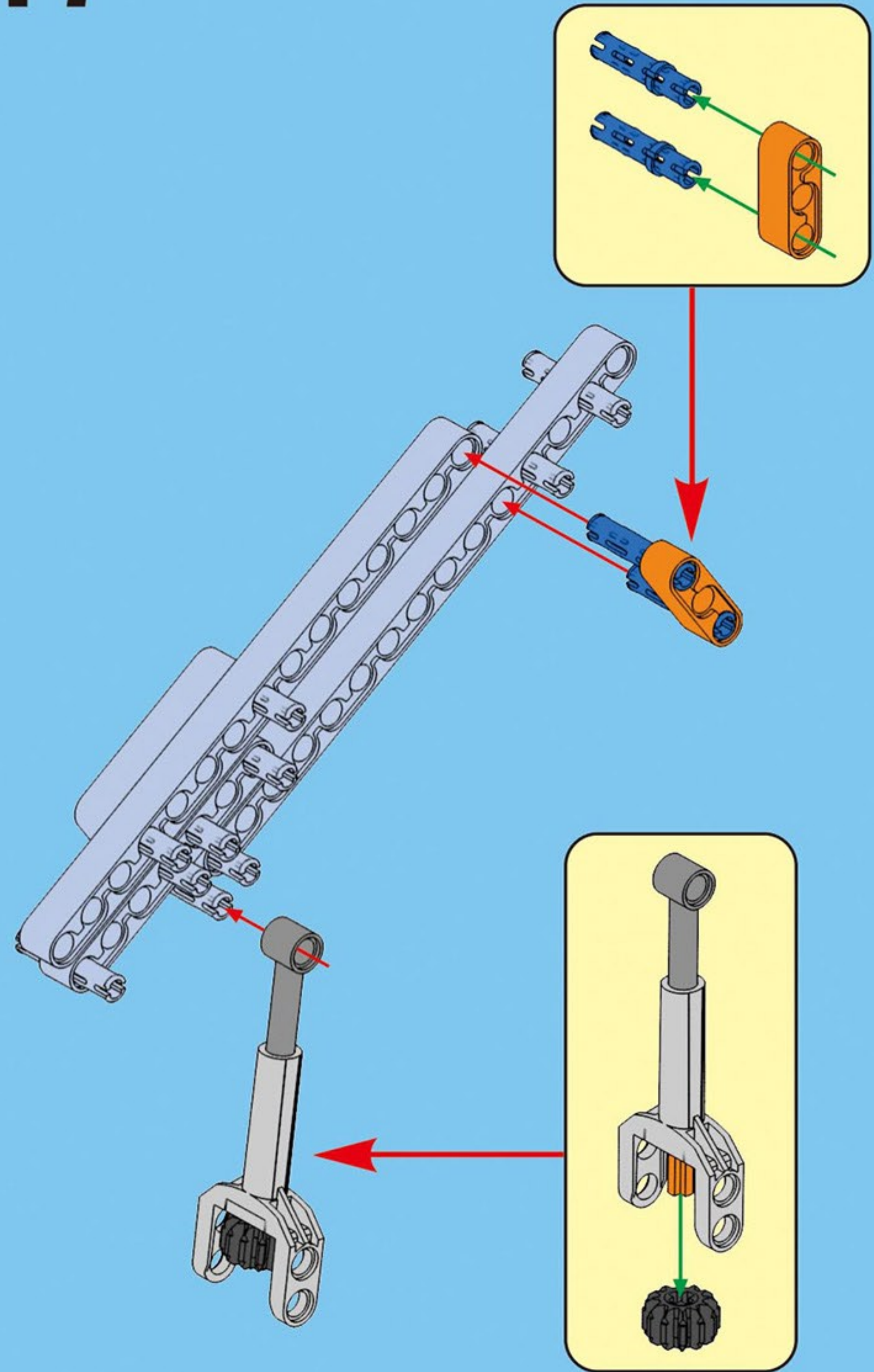


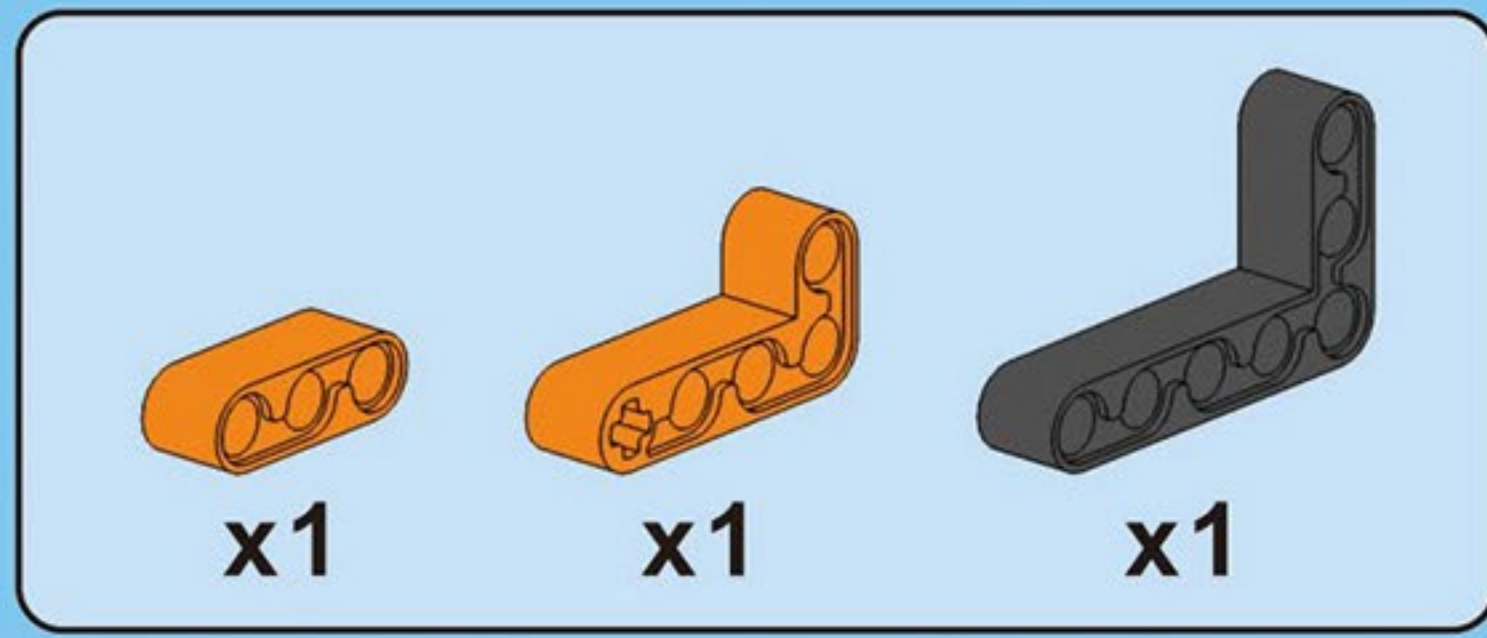


I16

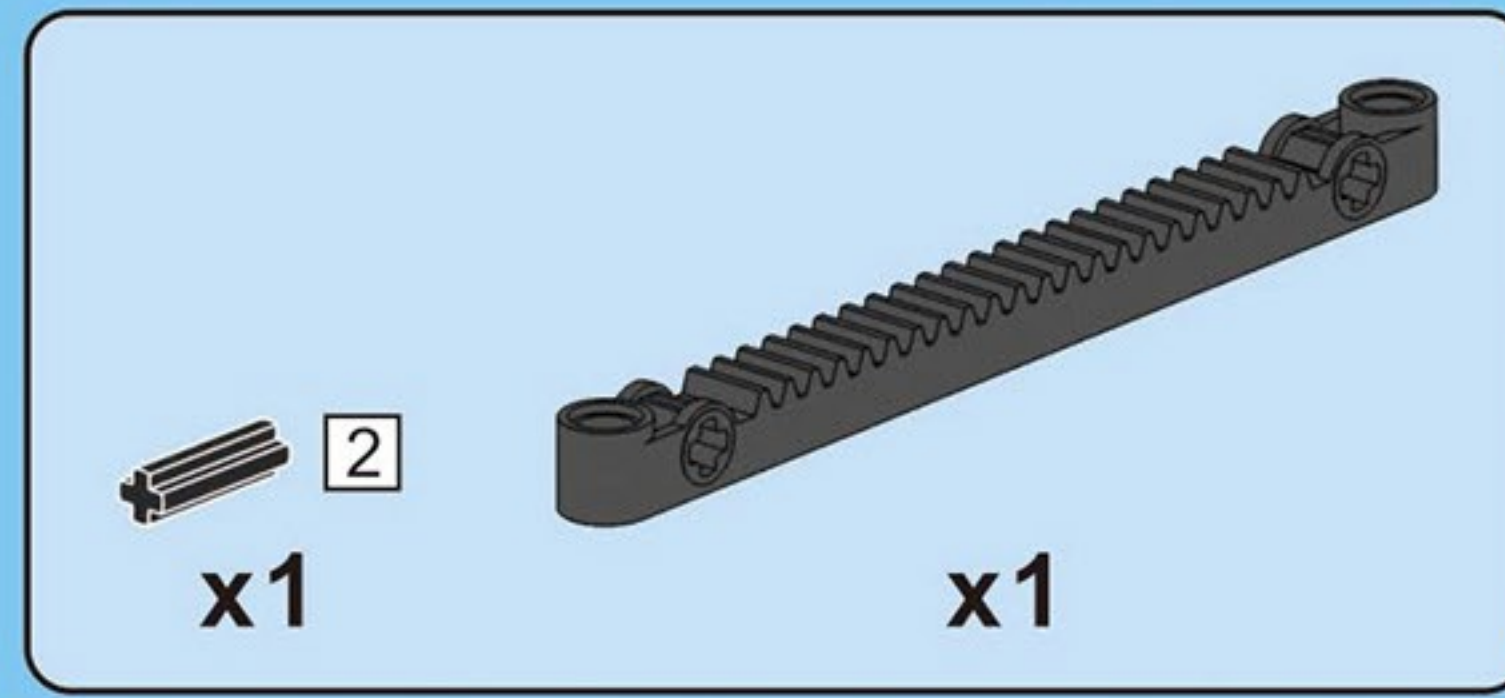
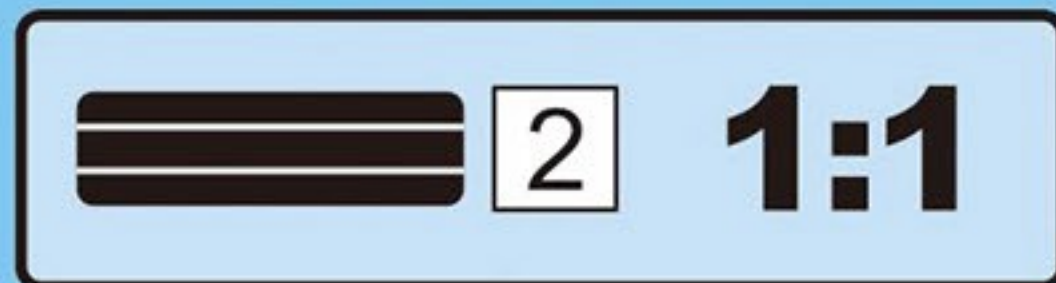
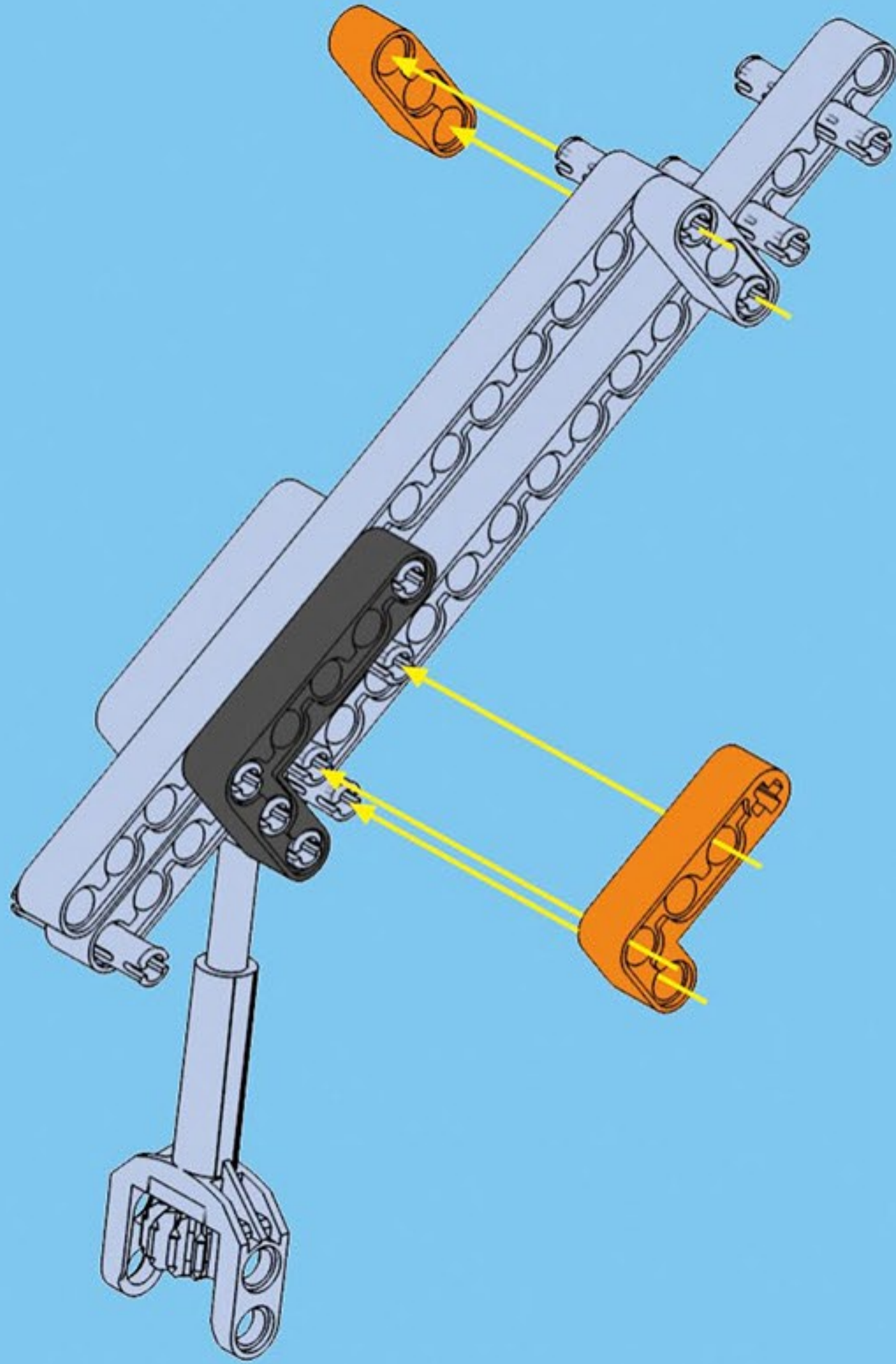


I17

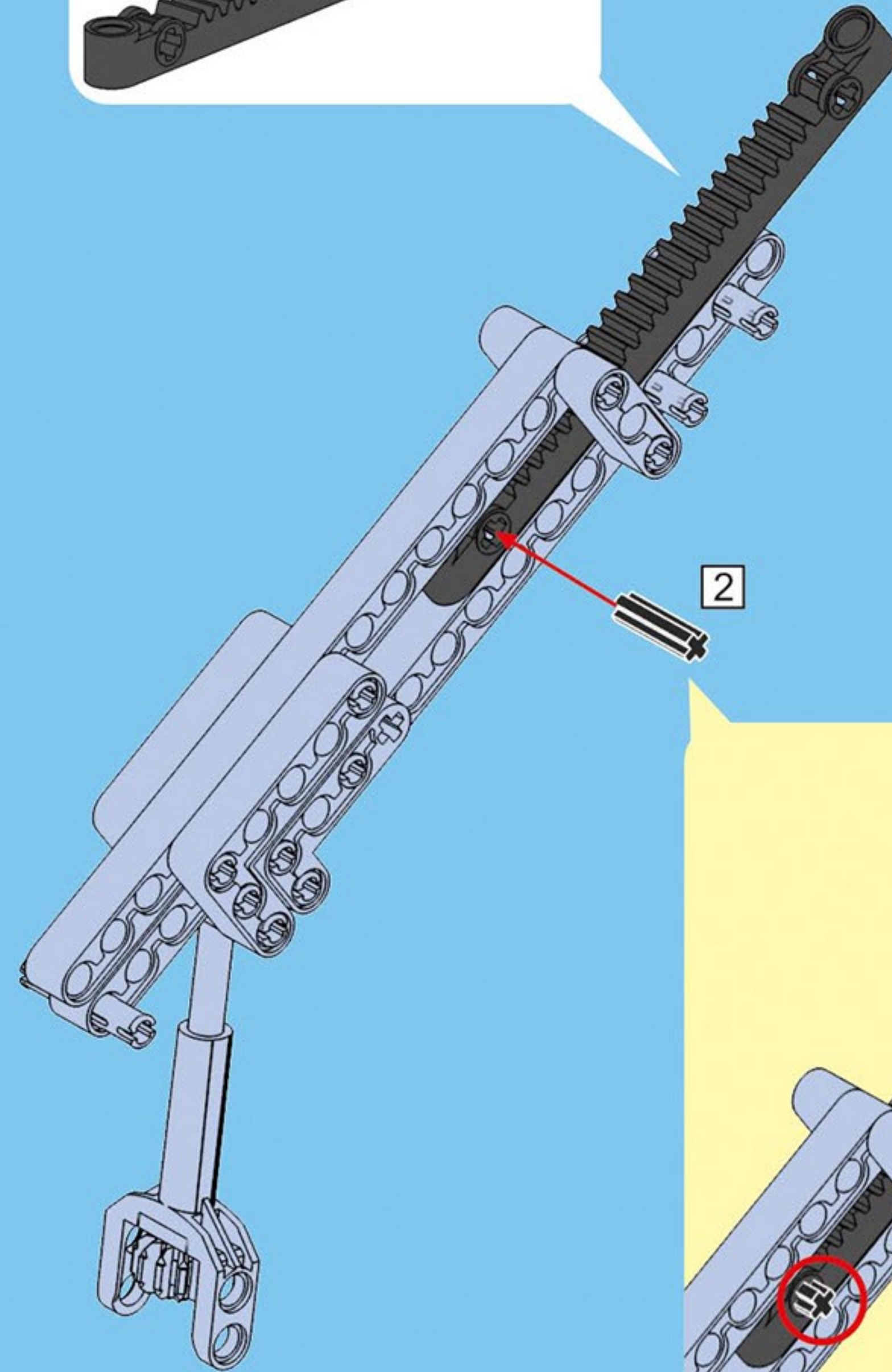
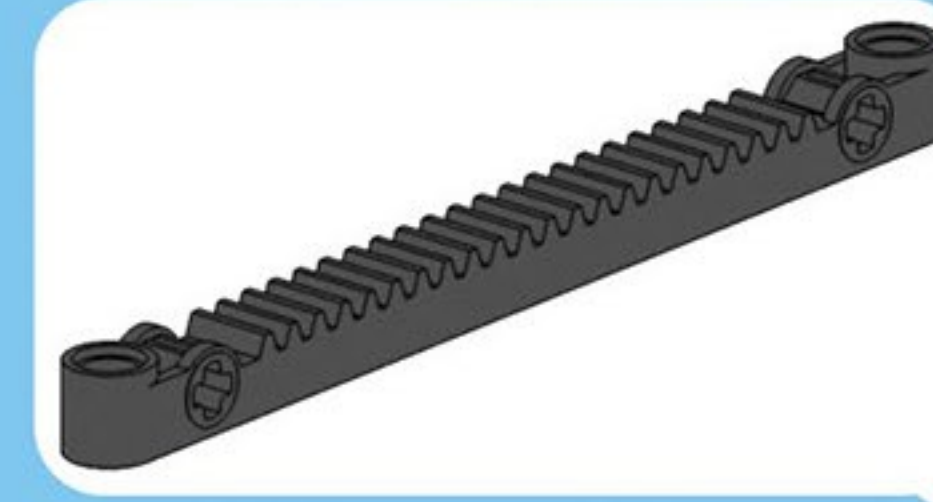


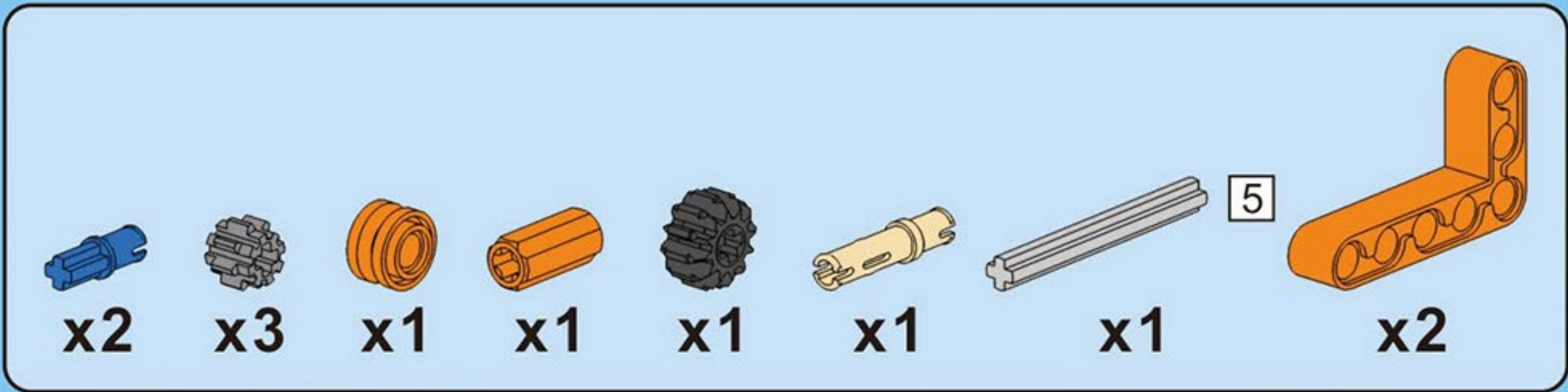


I18

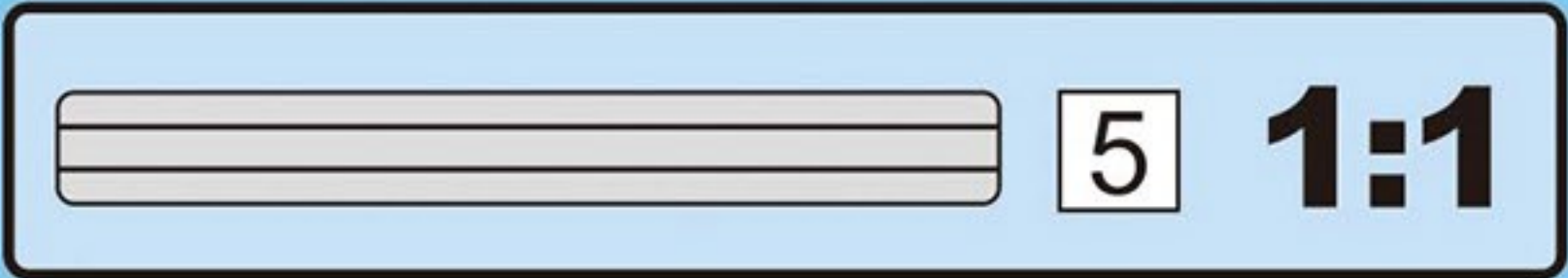
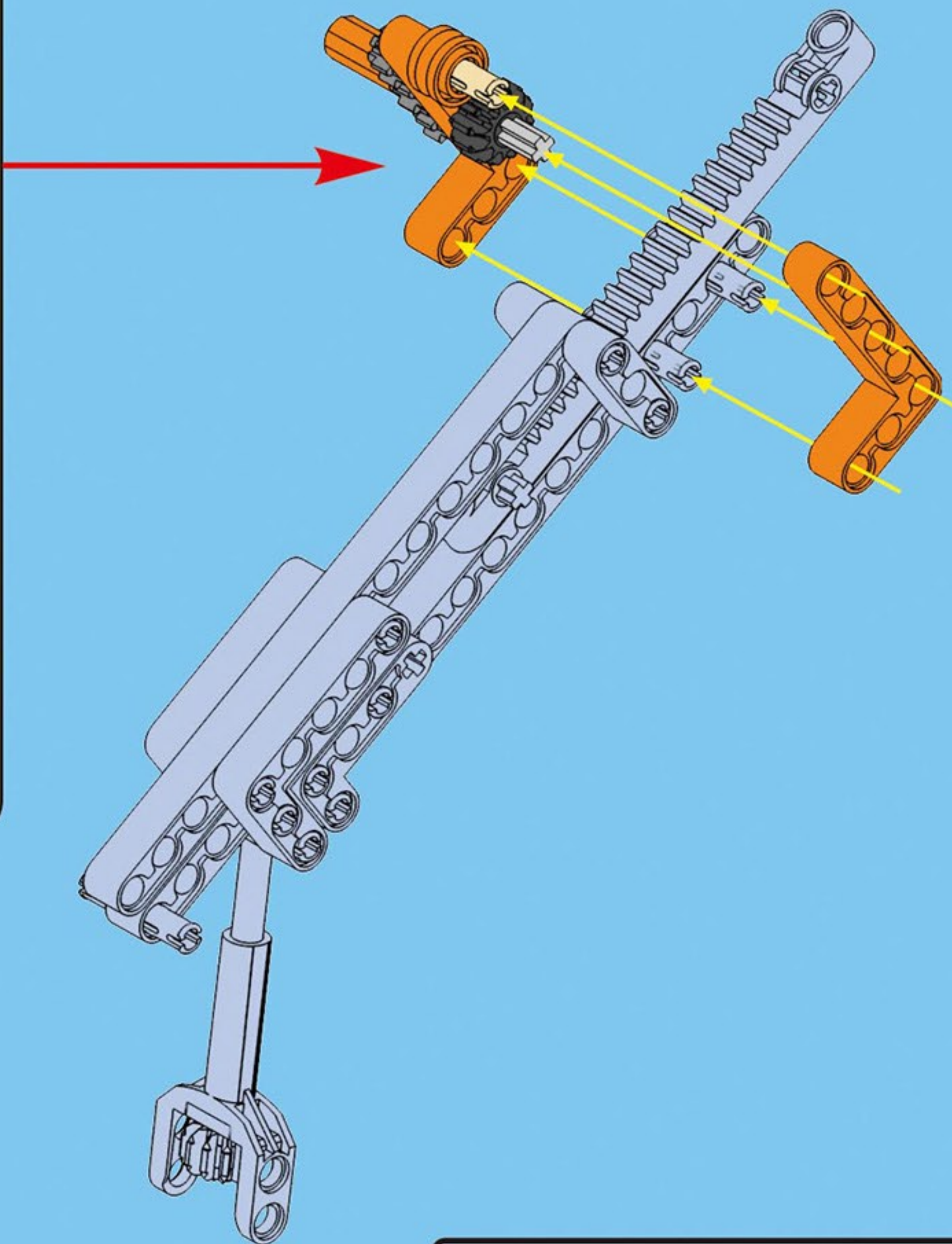
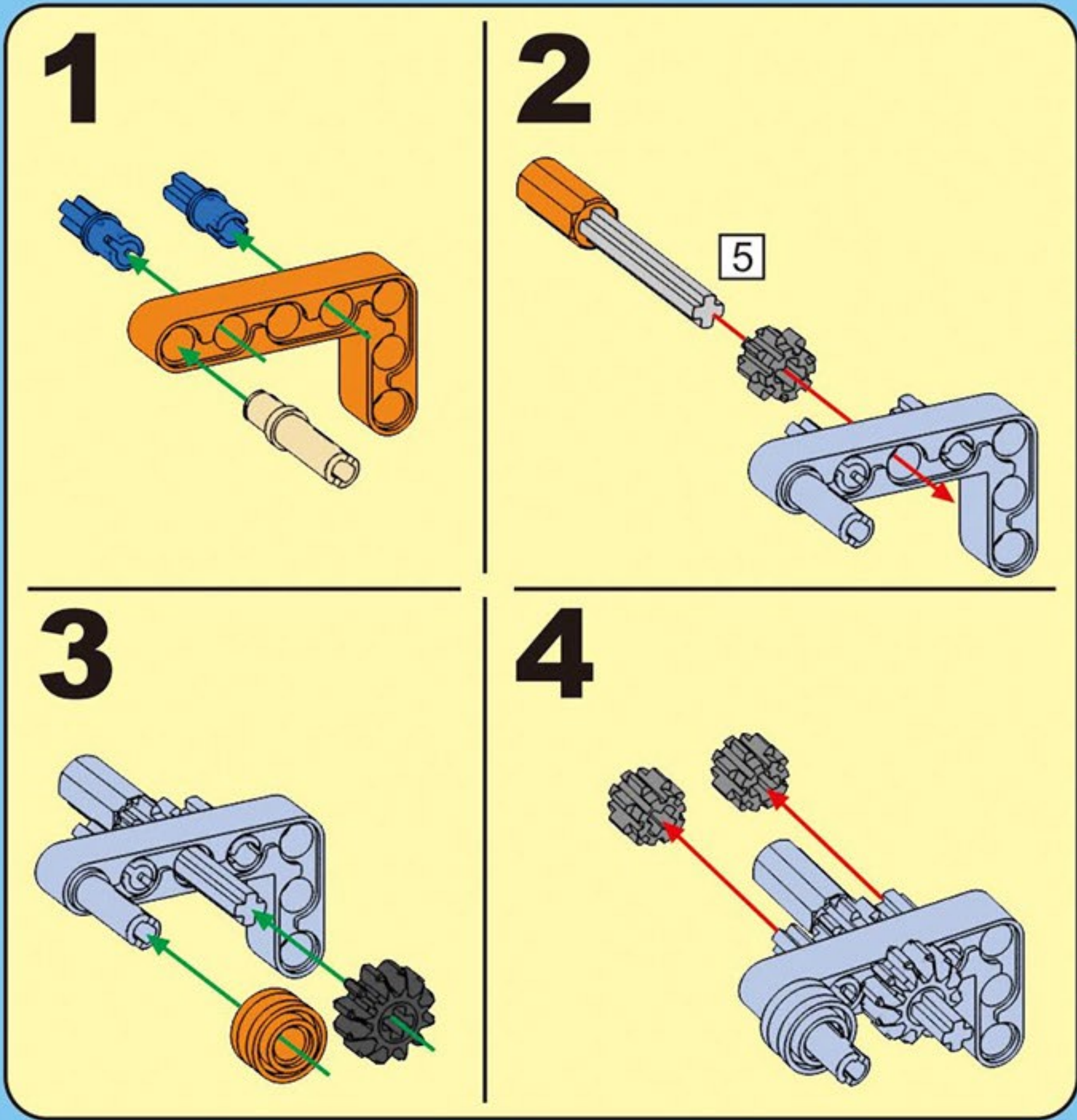


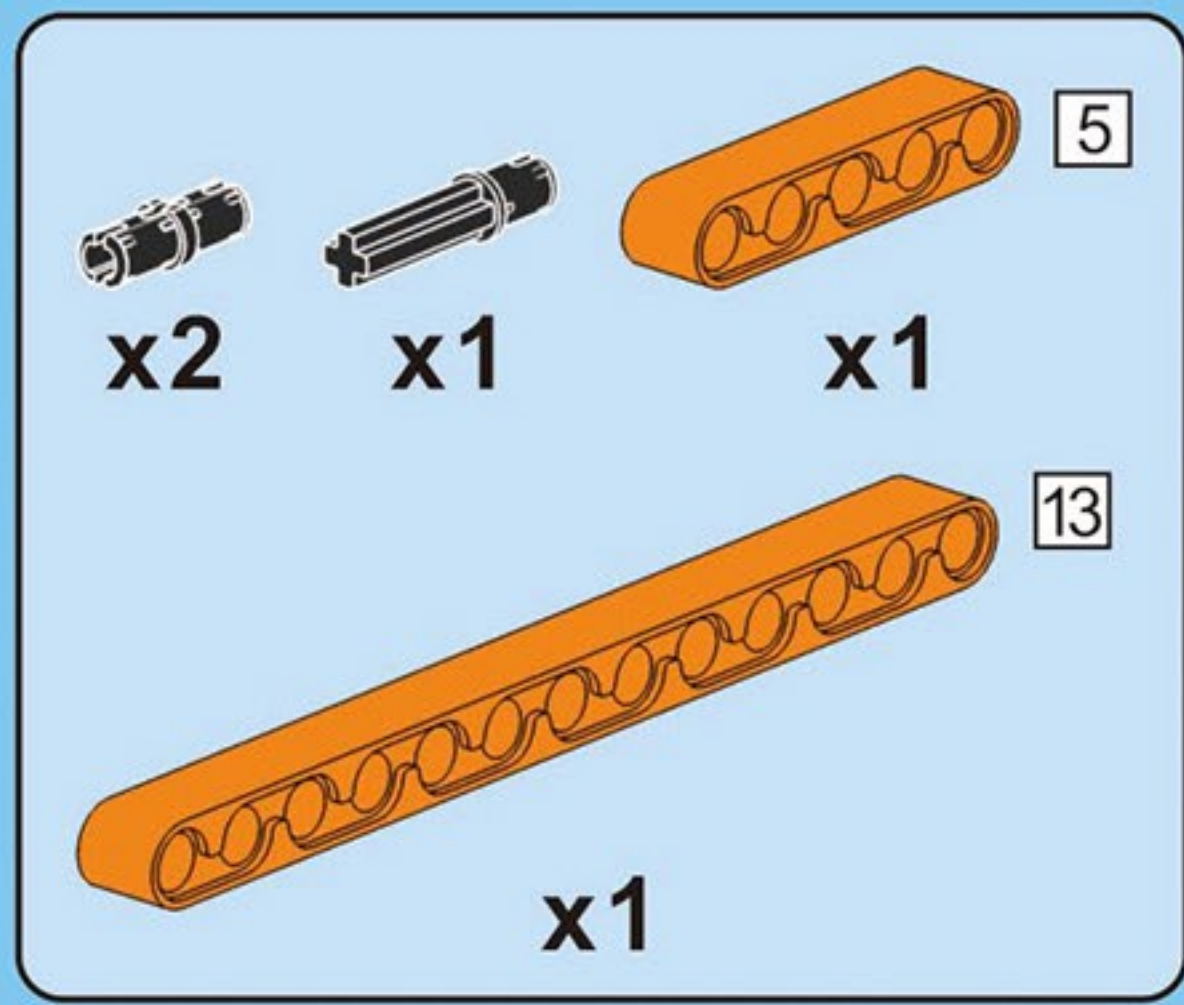
I19



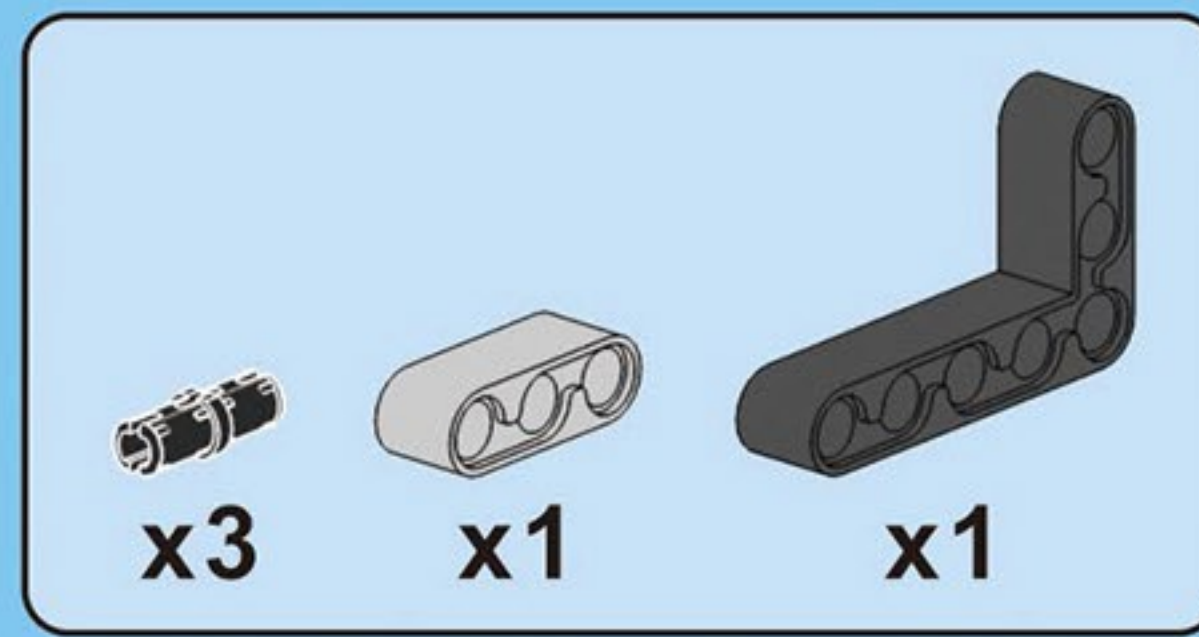
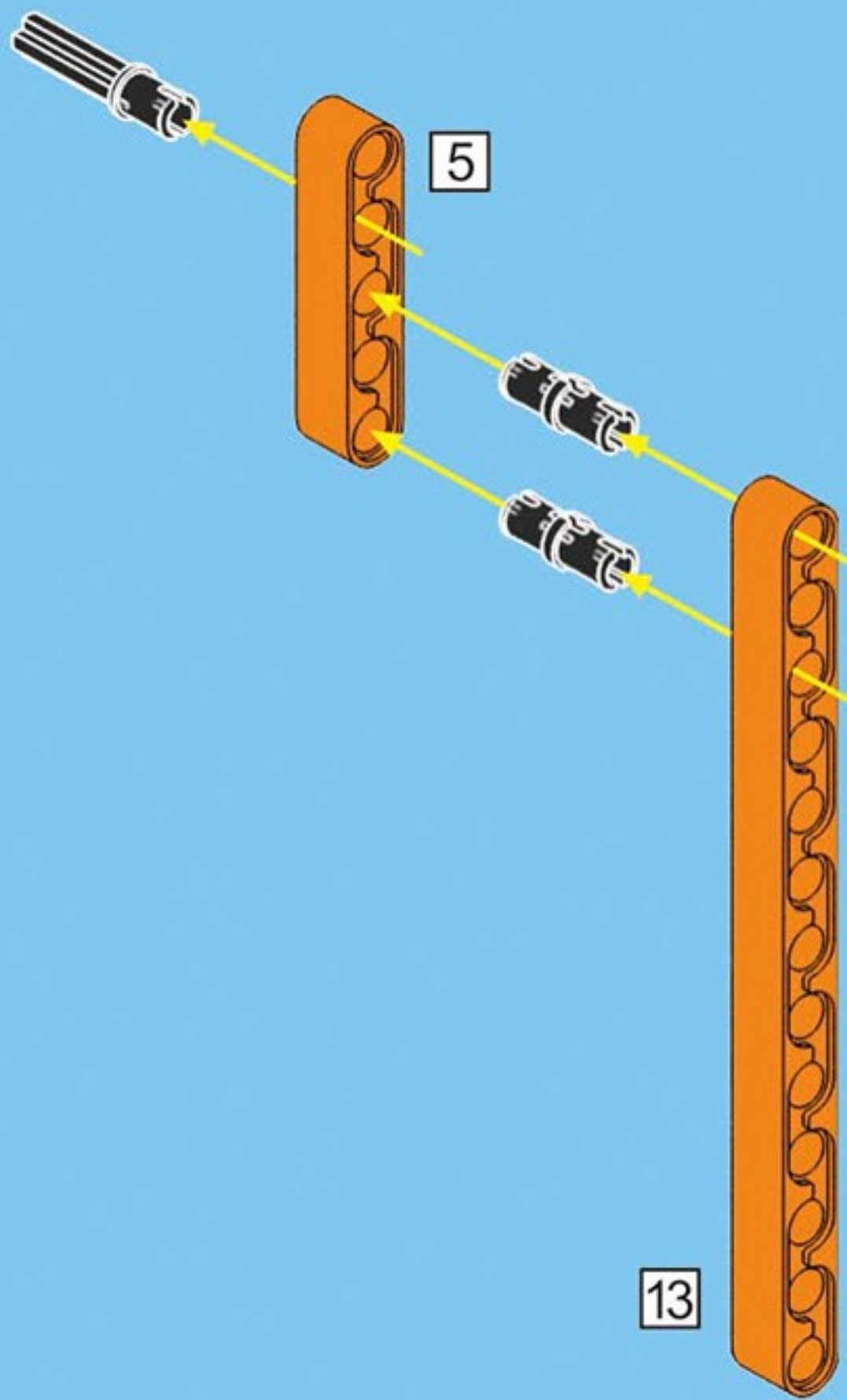


120

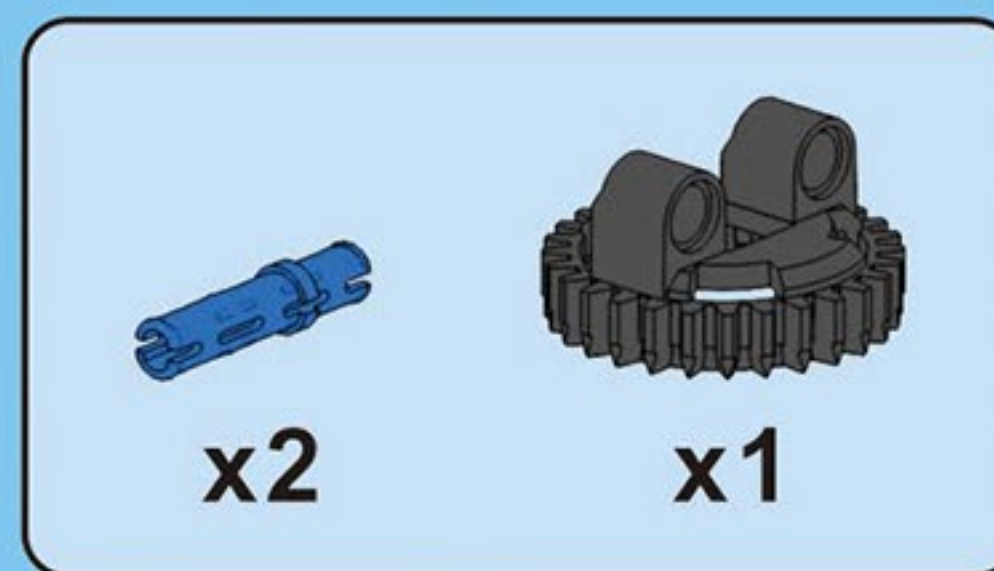
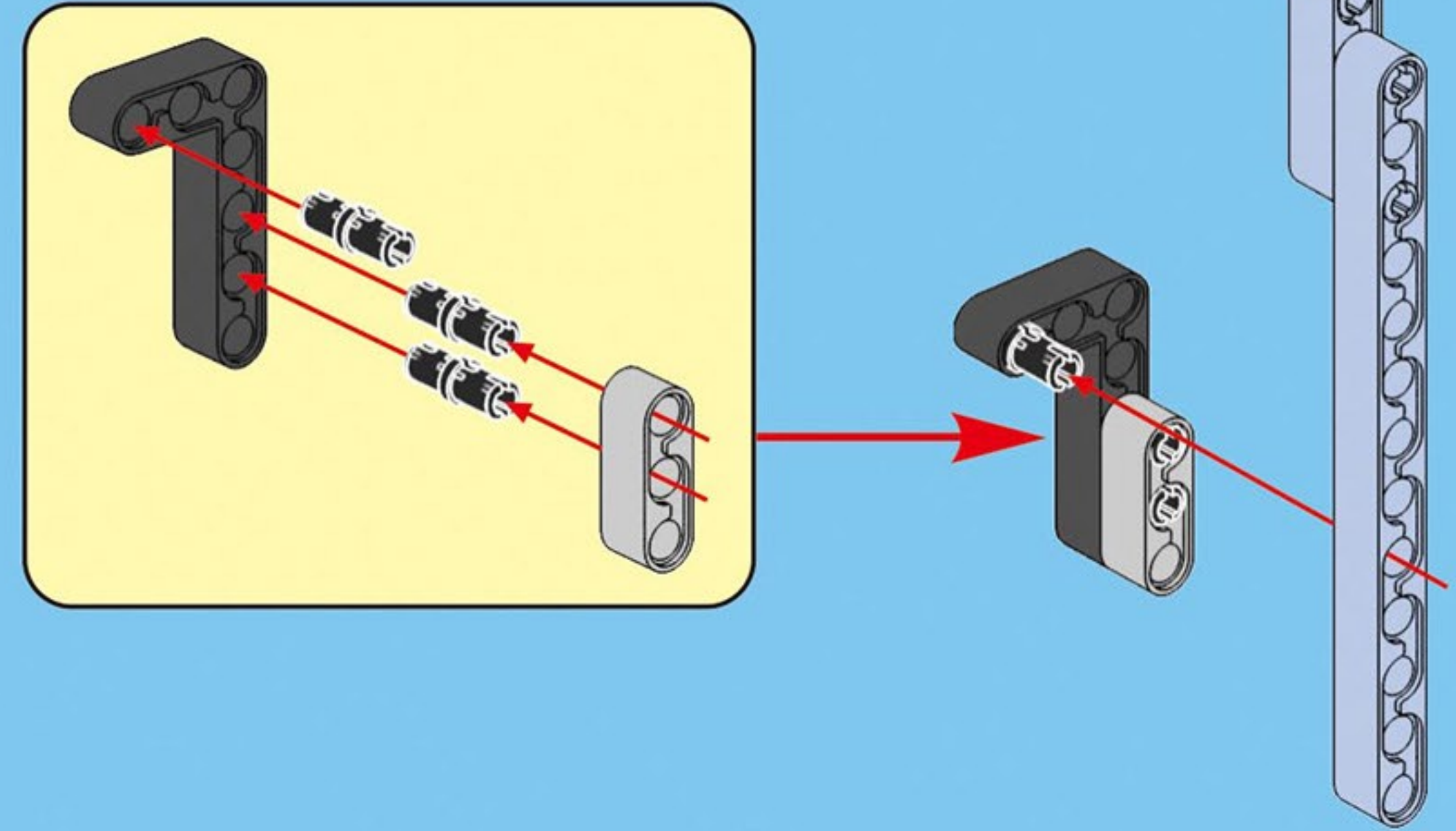




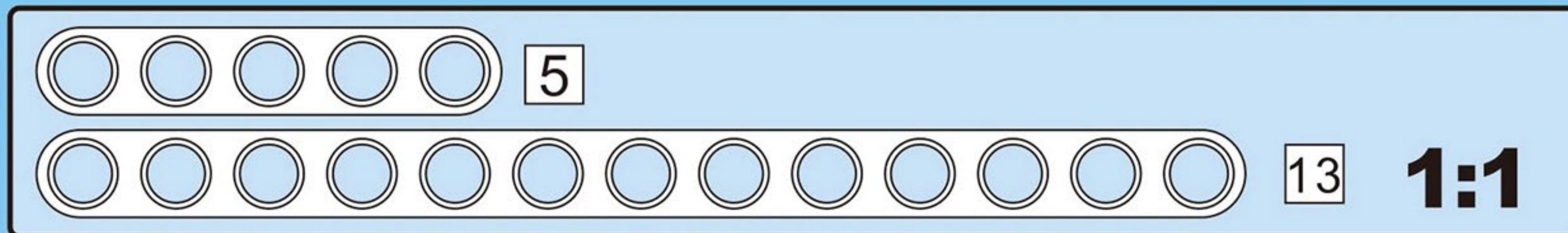
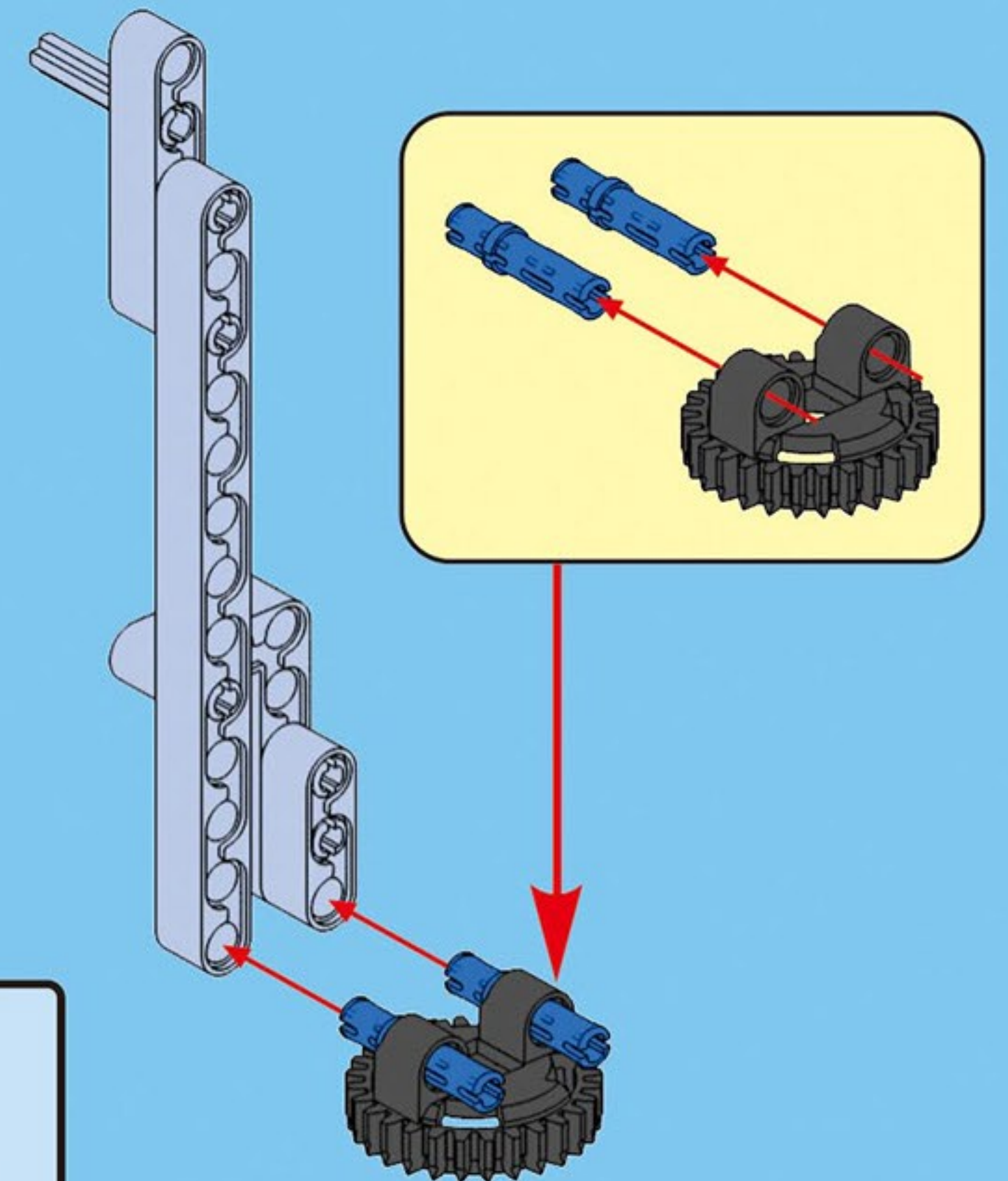
I21

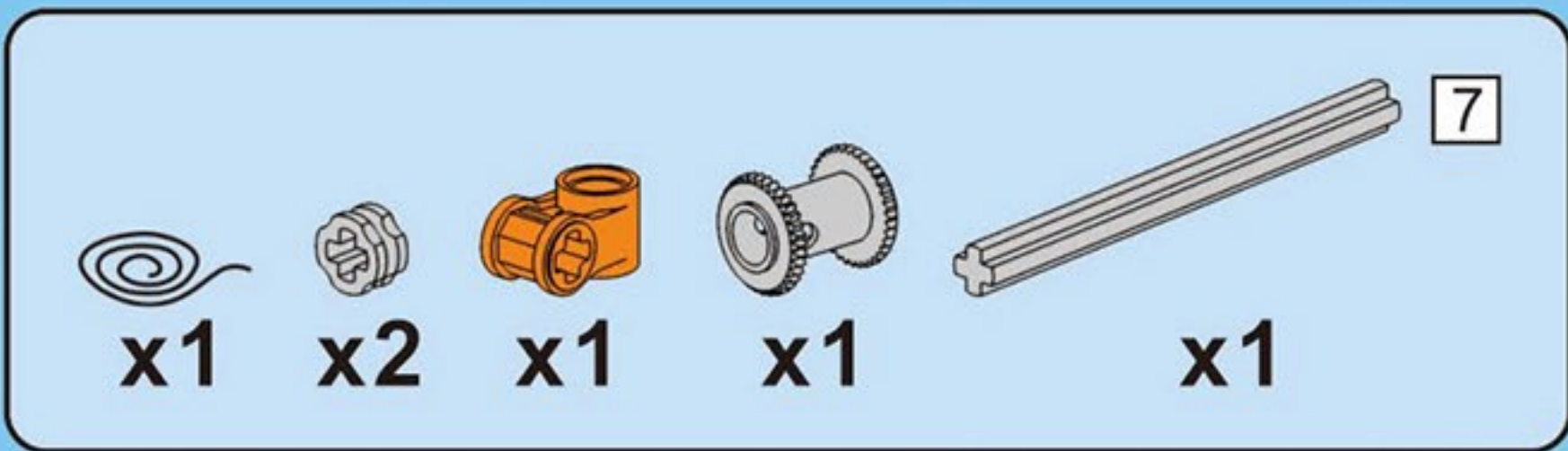


I22

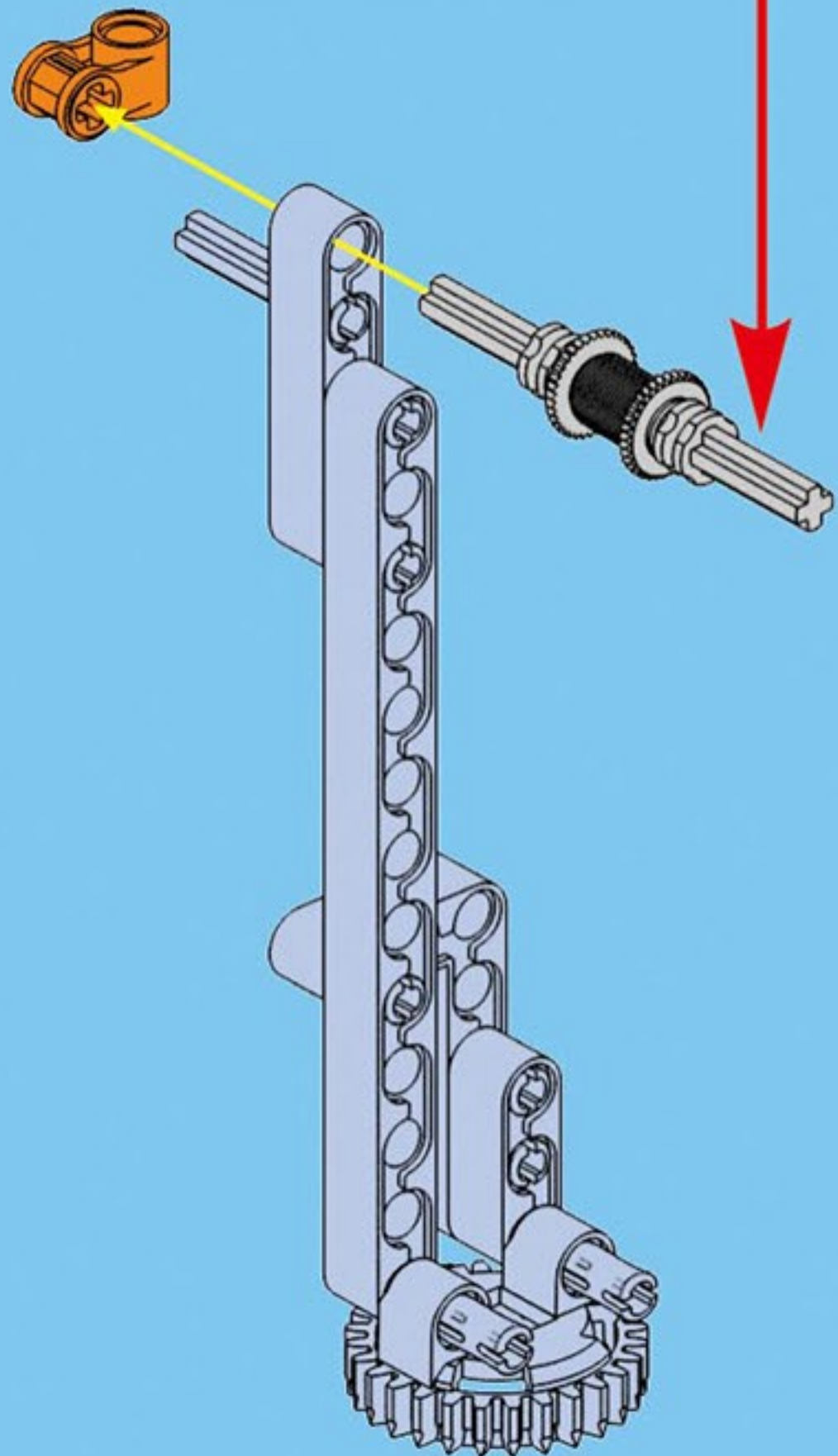
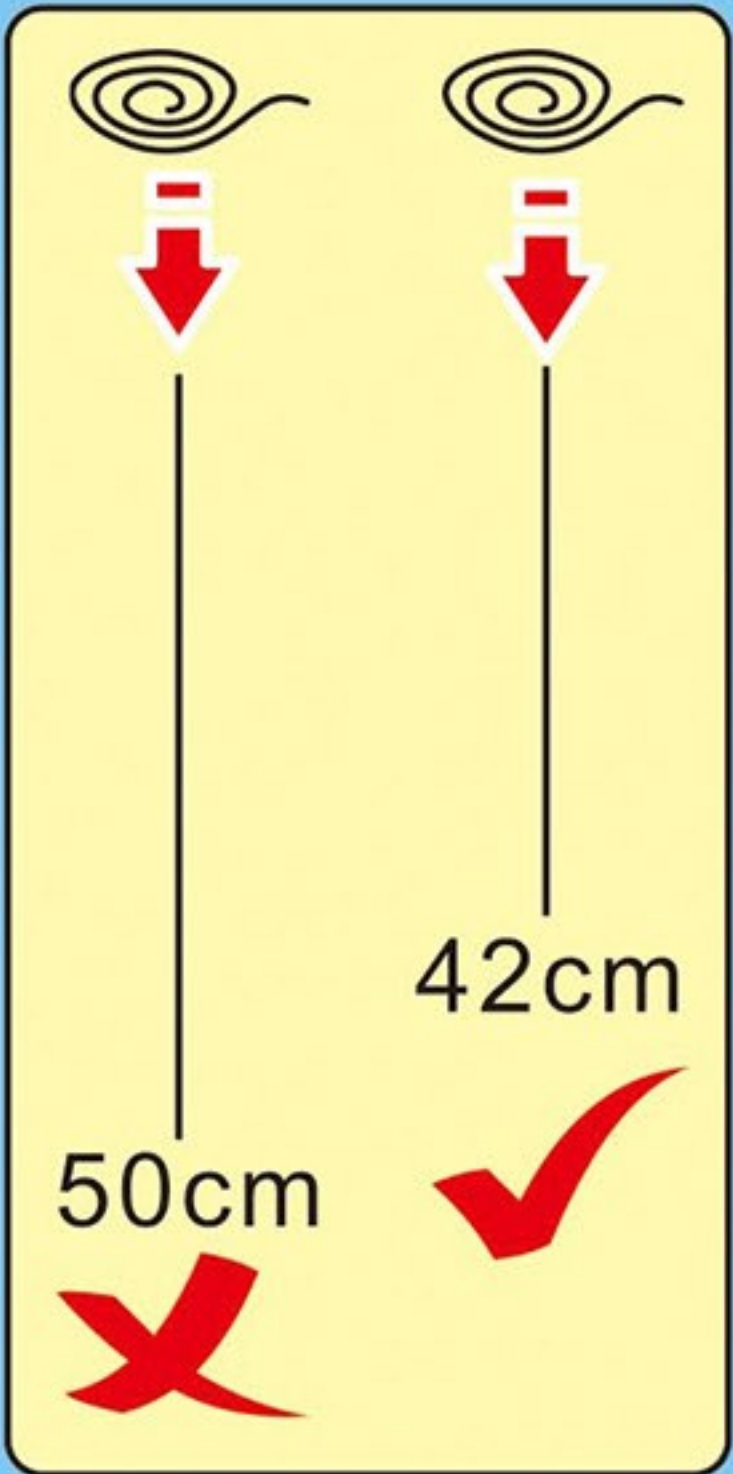
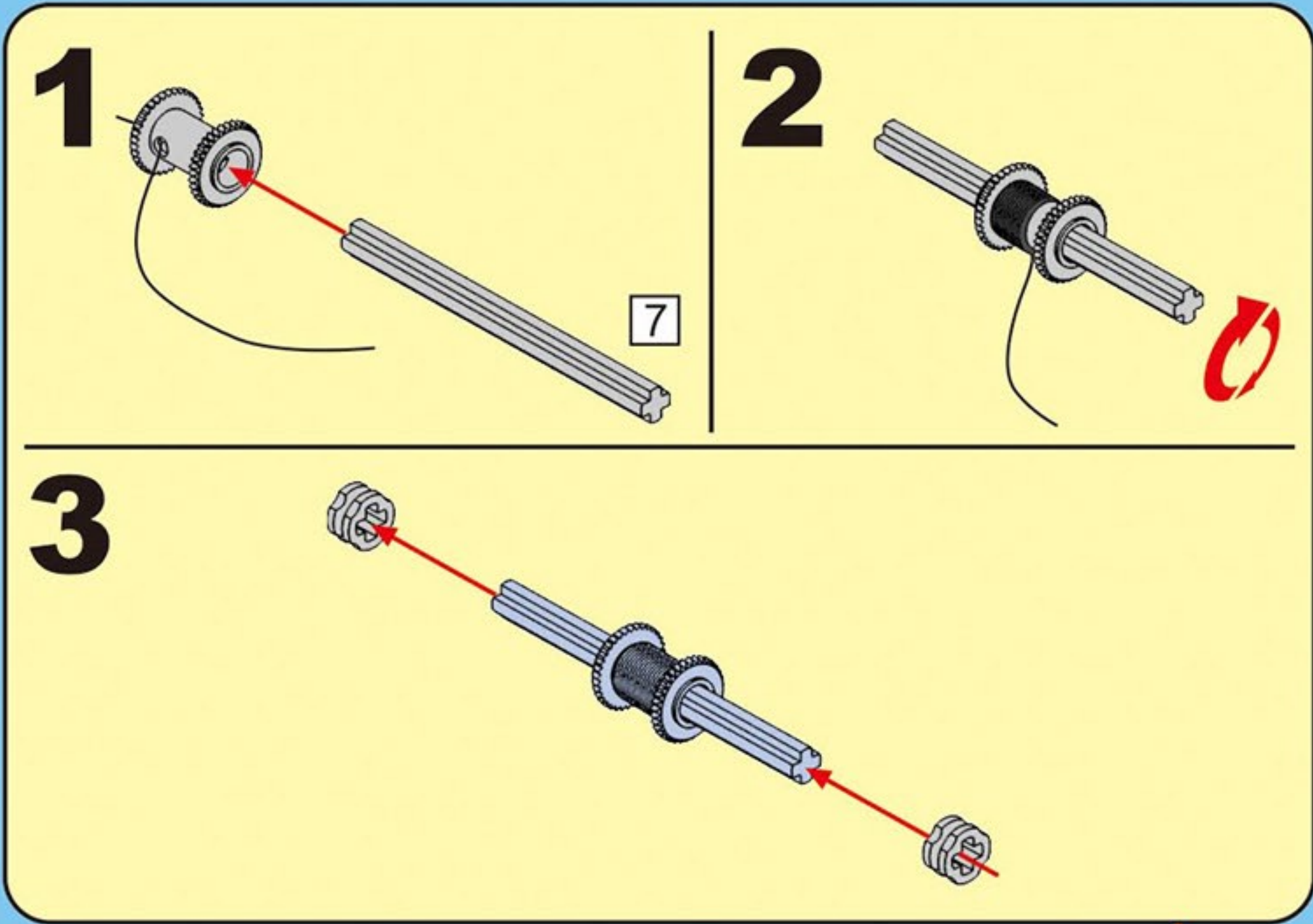


I23

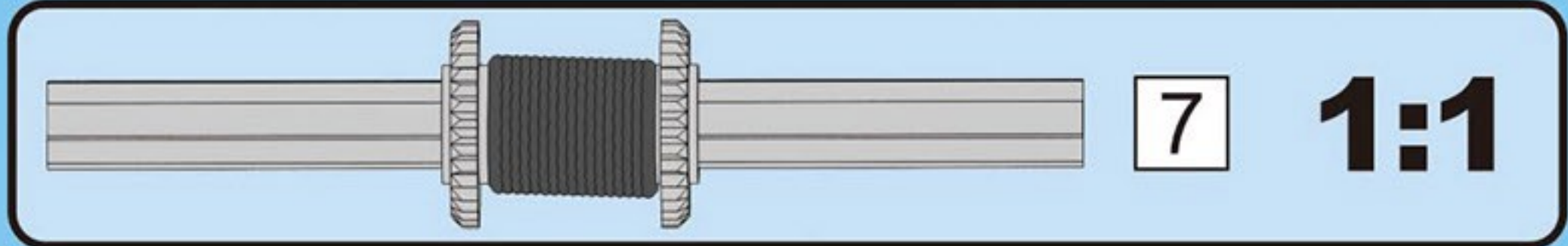
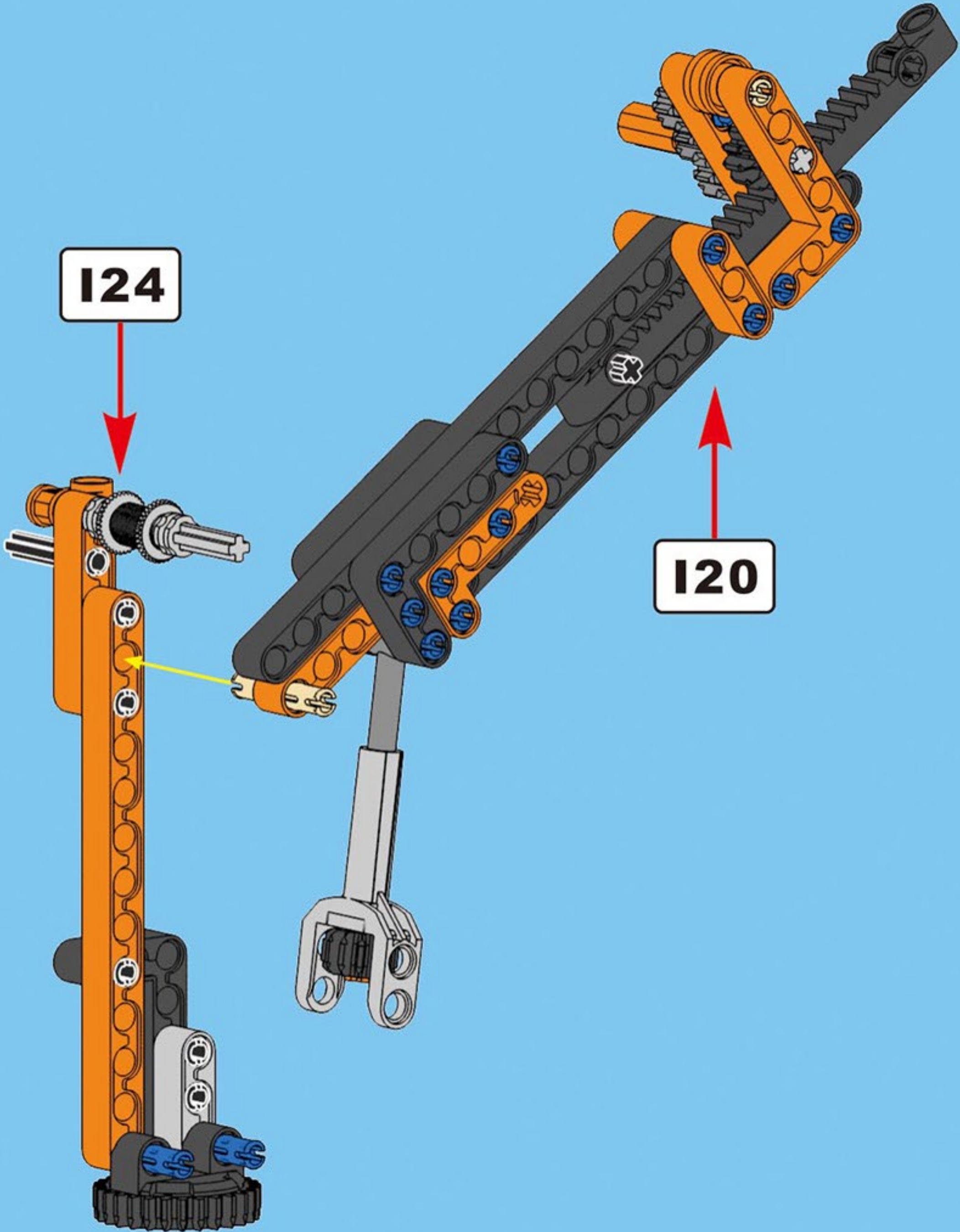


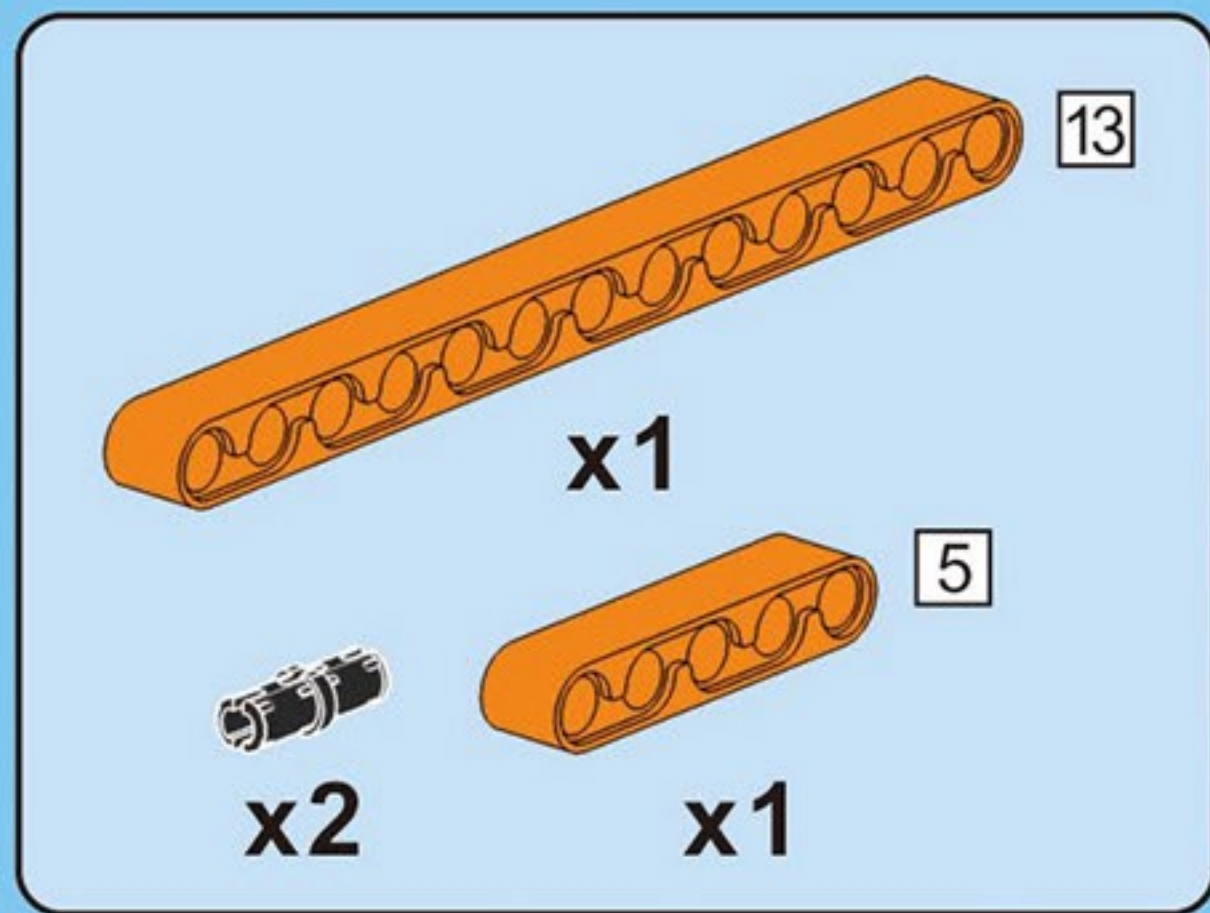


124

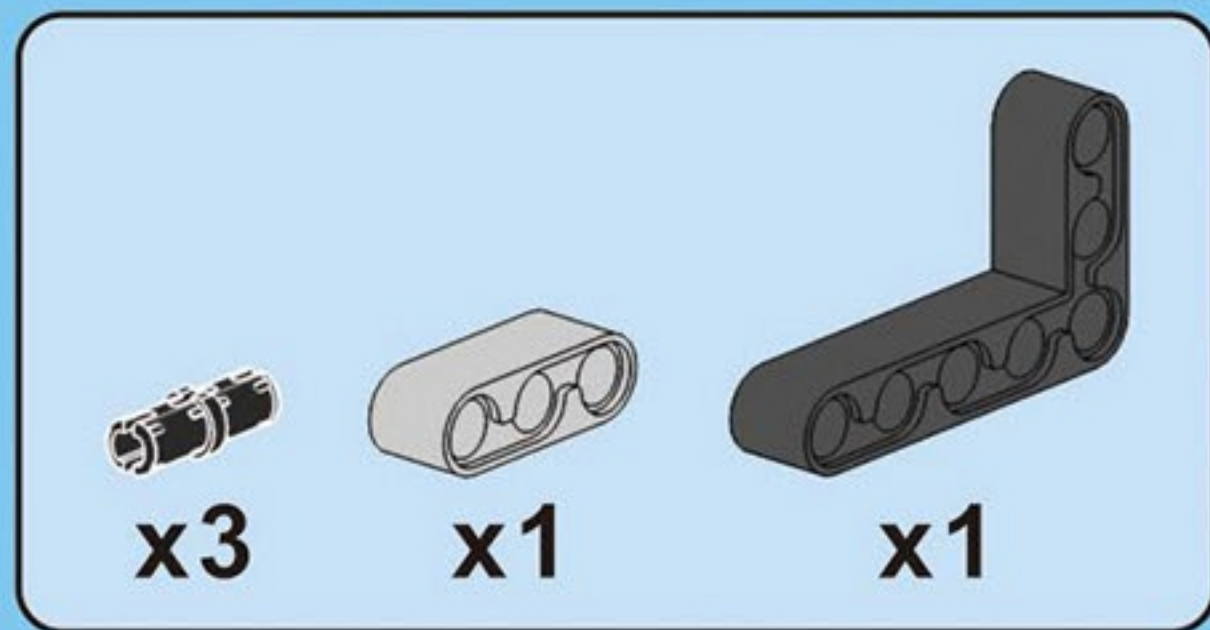
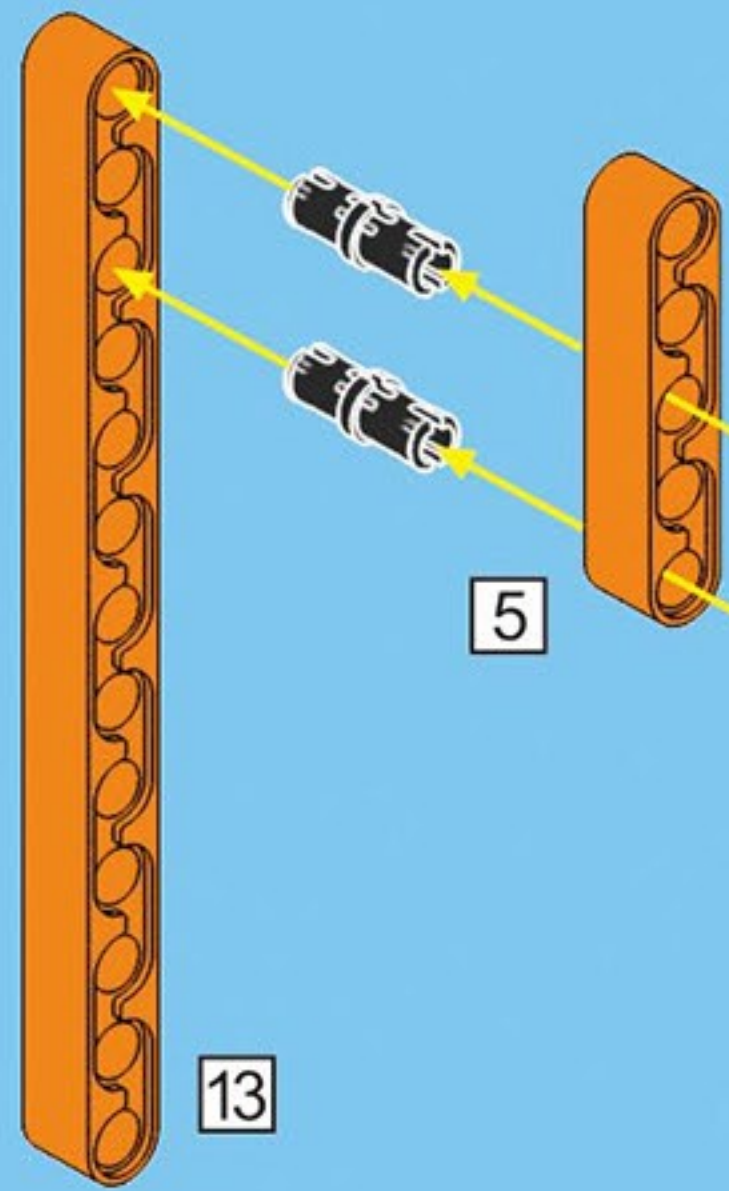


125

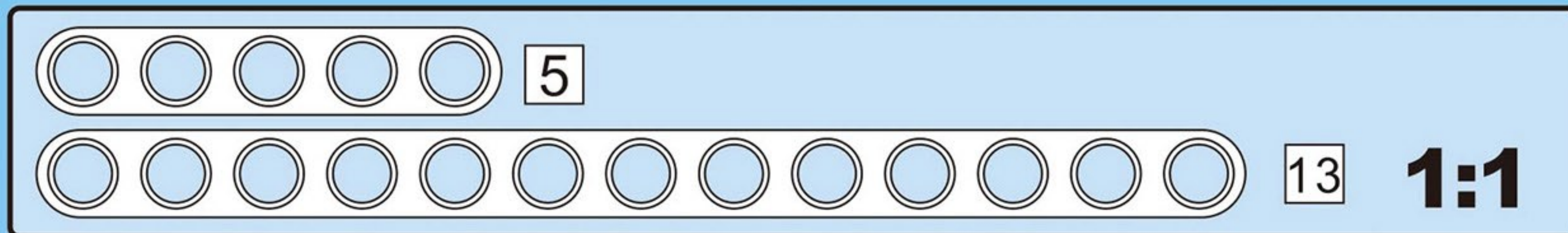
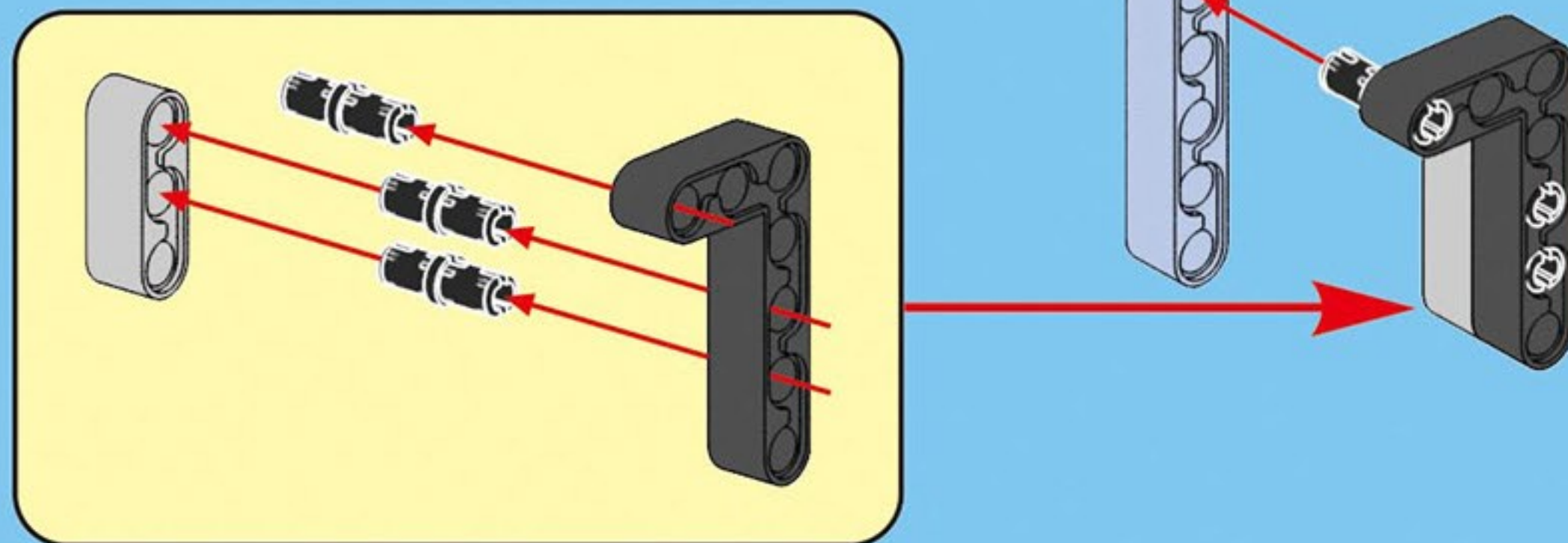




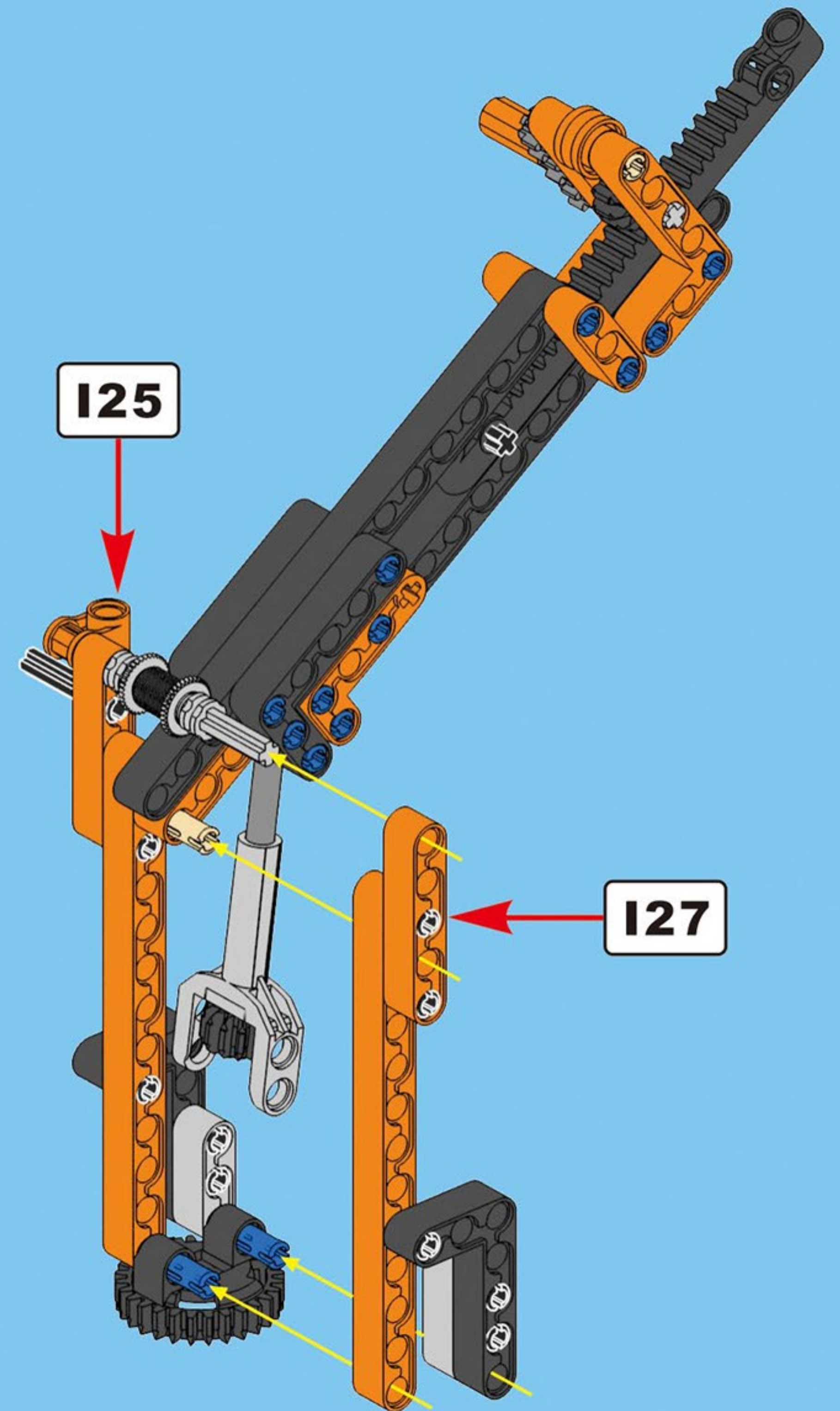
I26

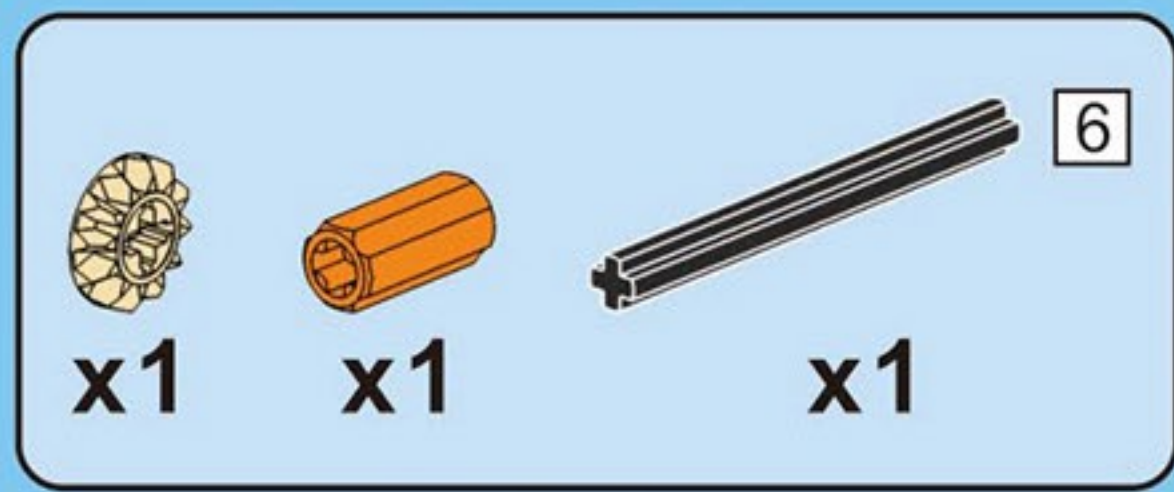


I27

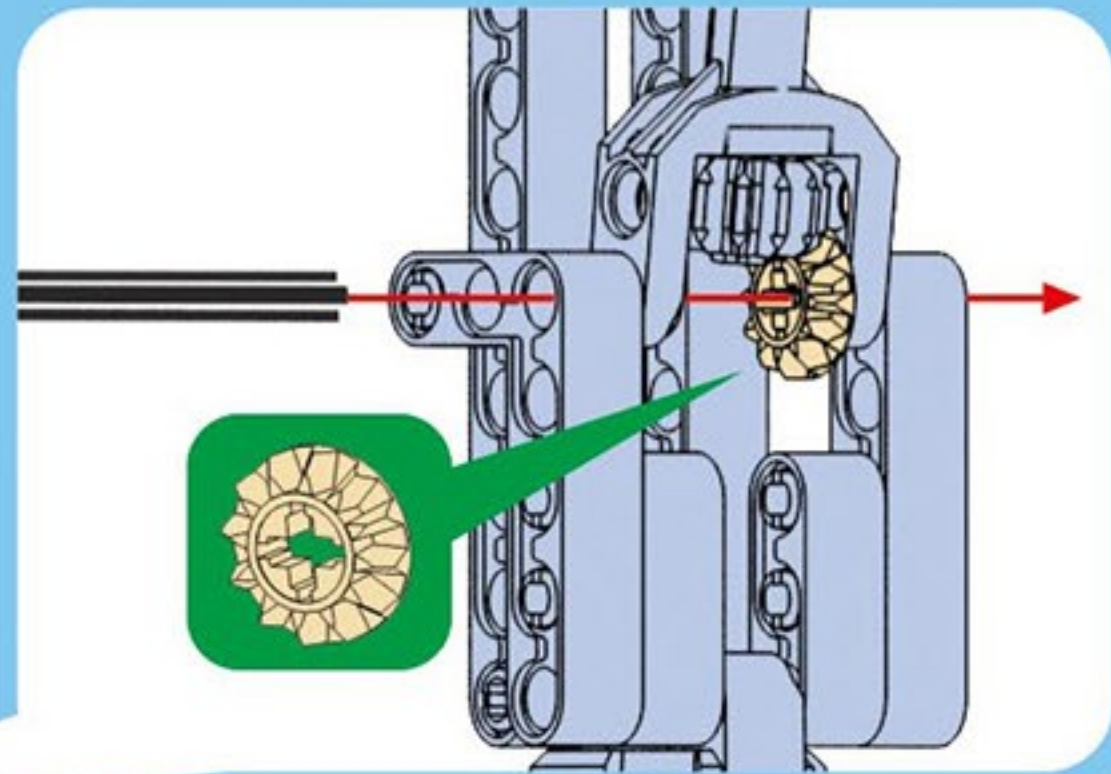
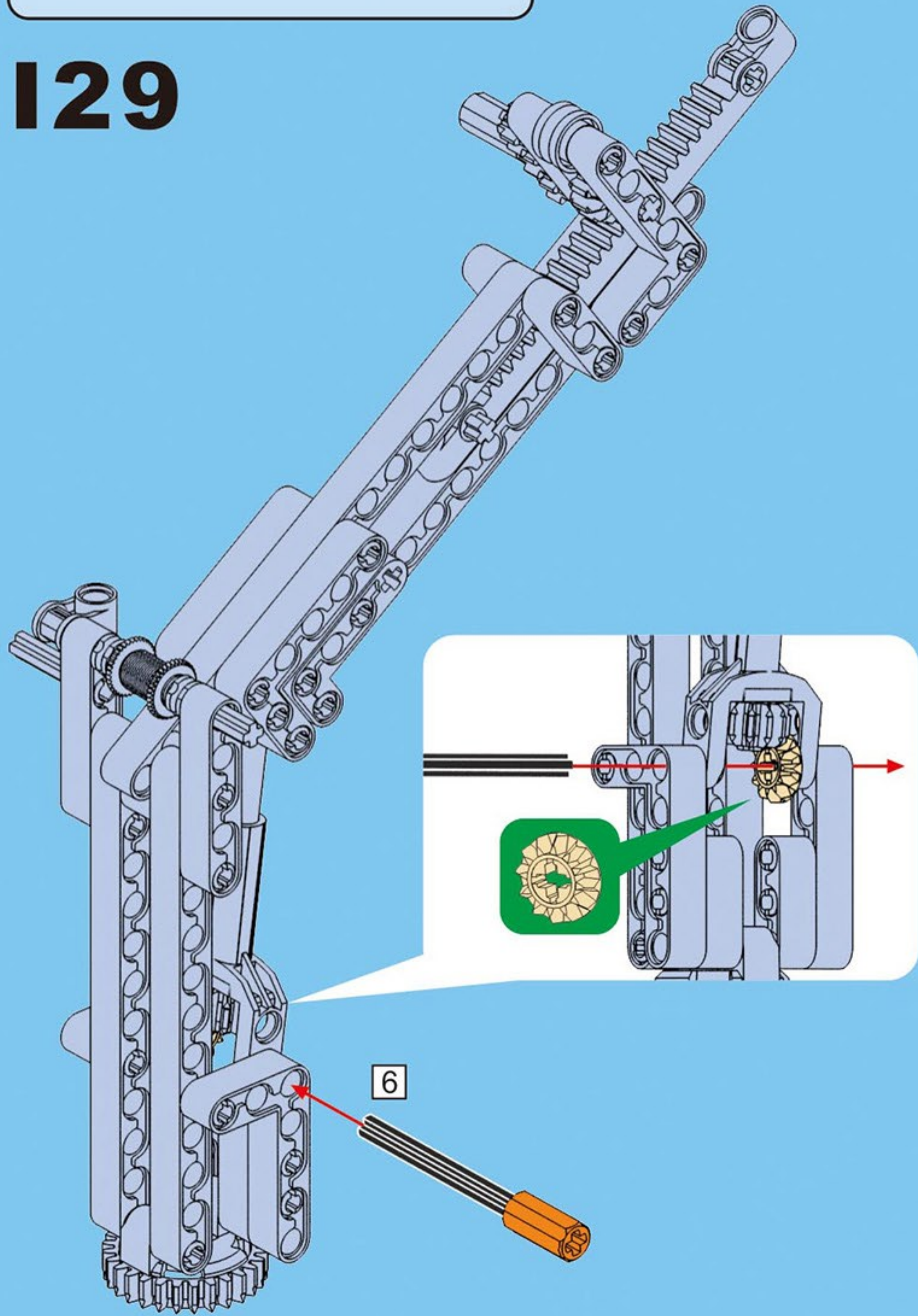


I28

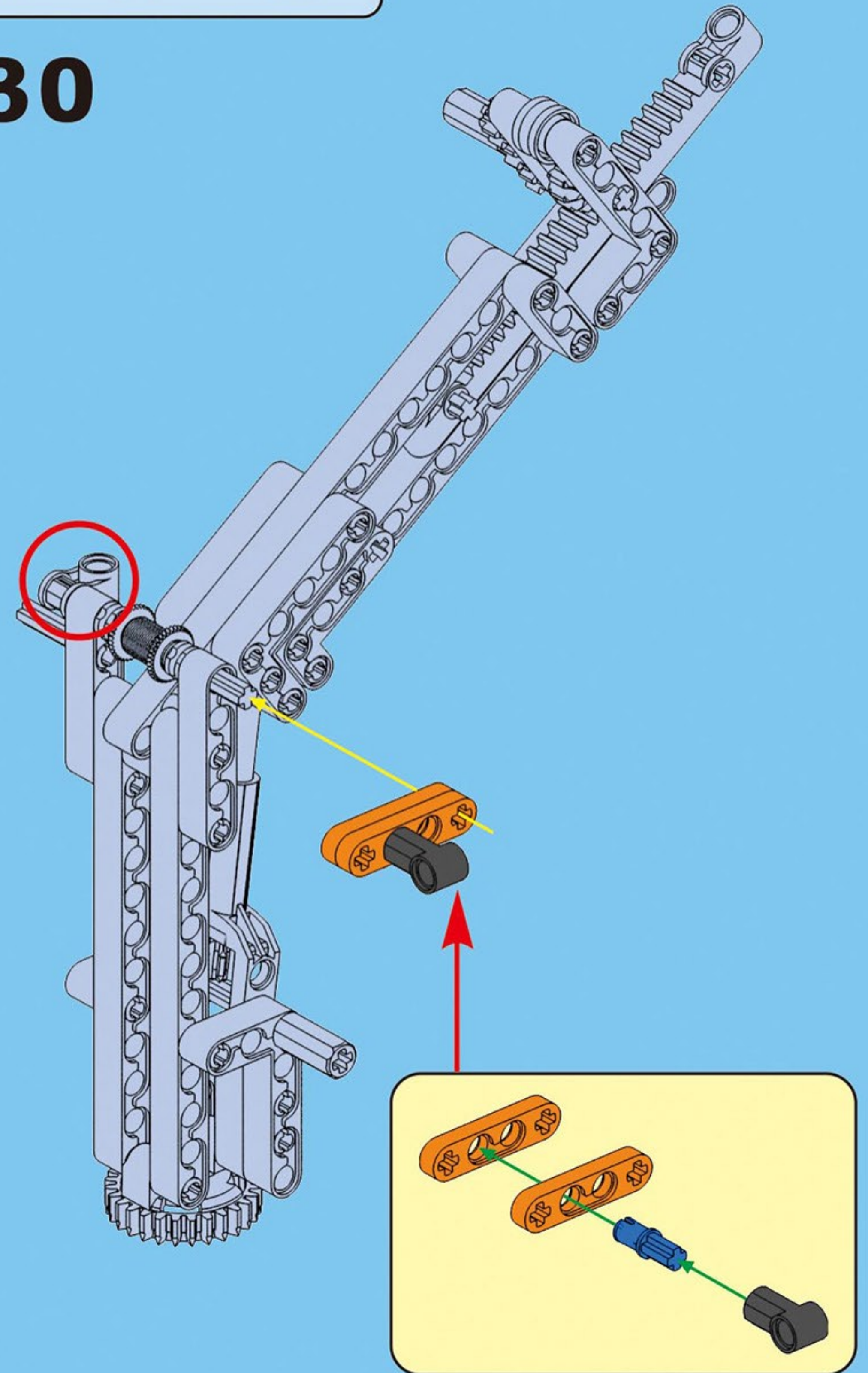




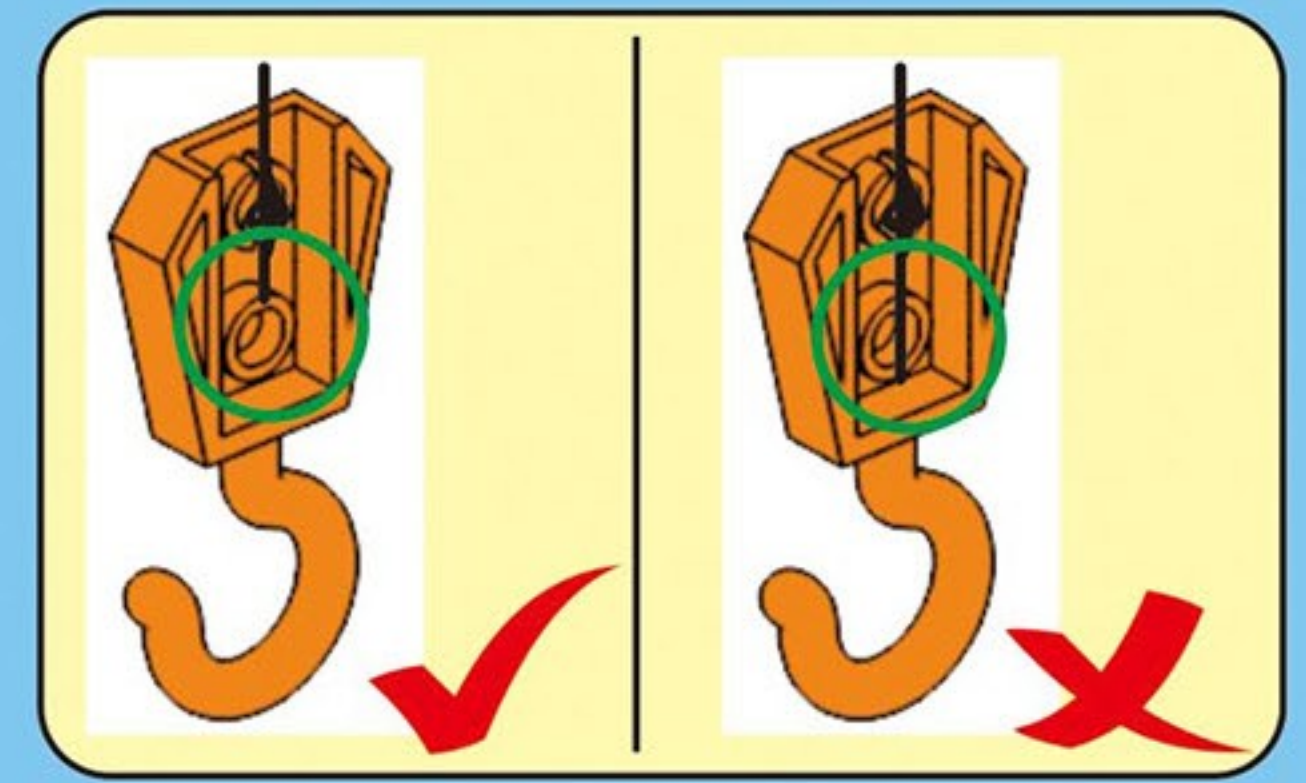
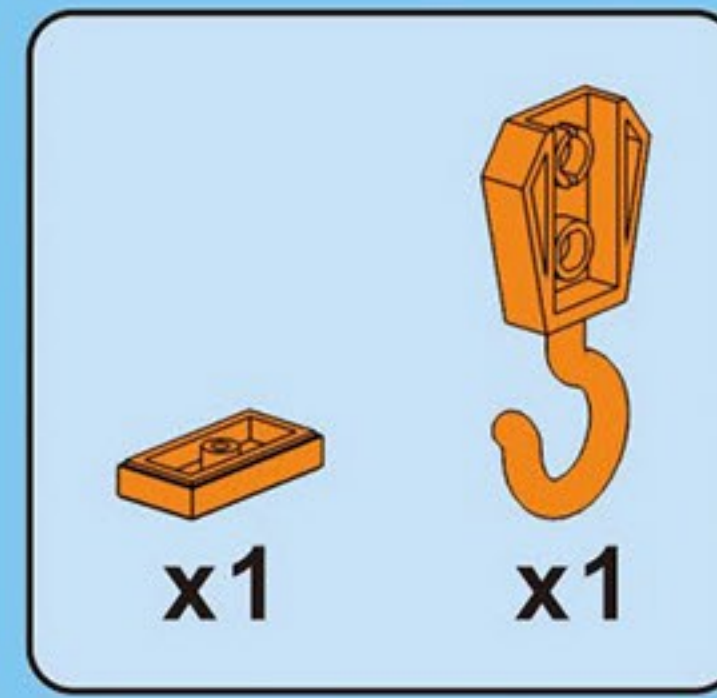
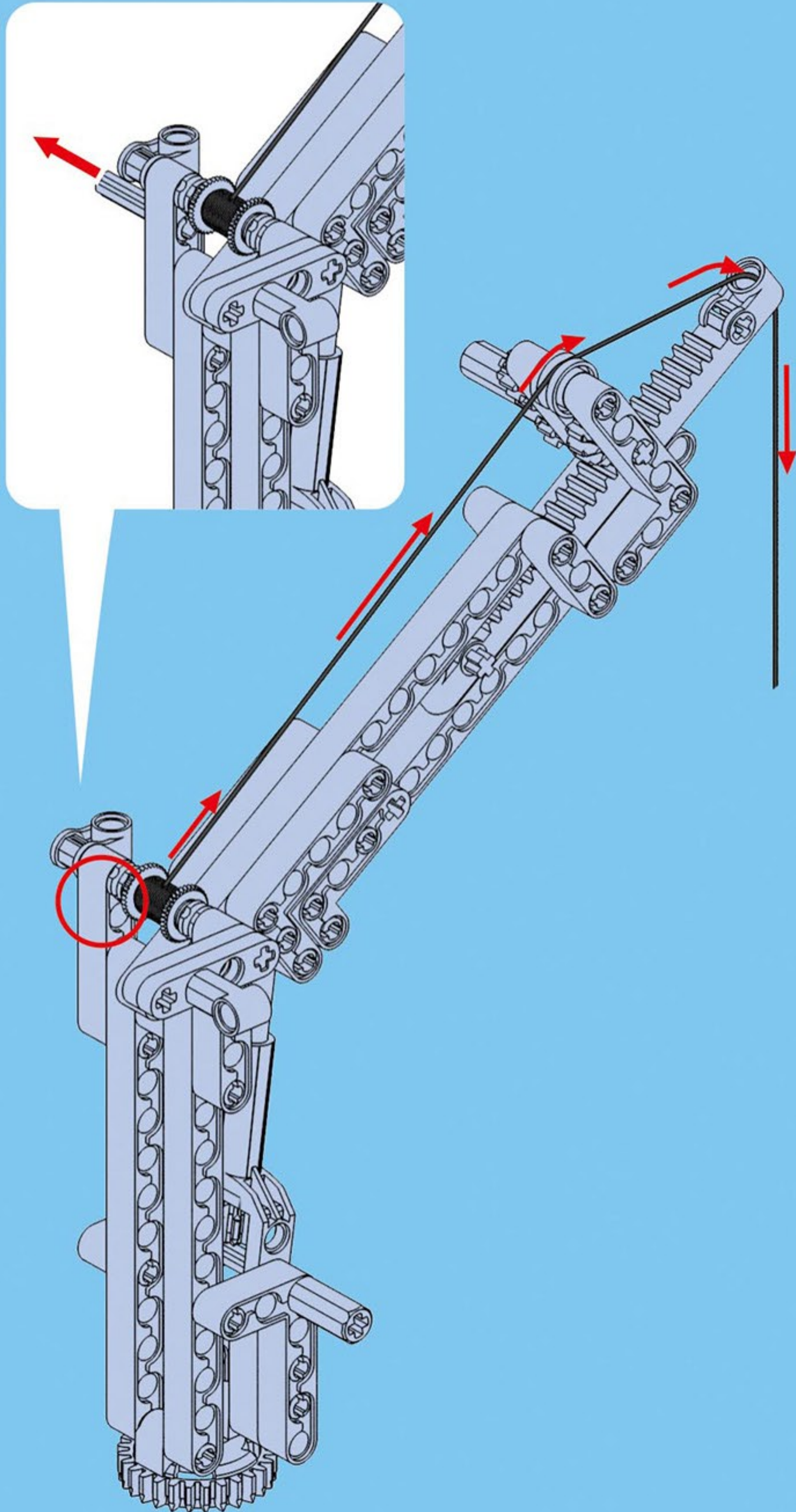
129



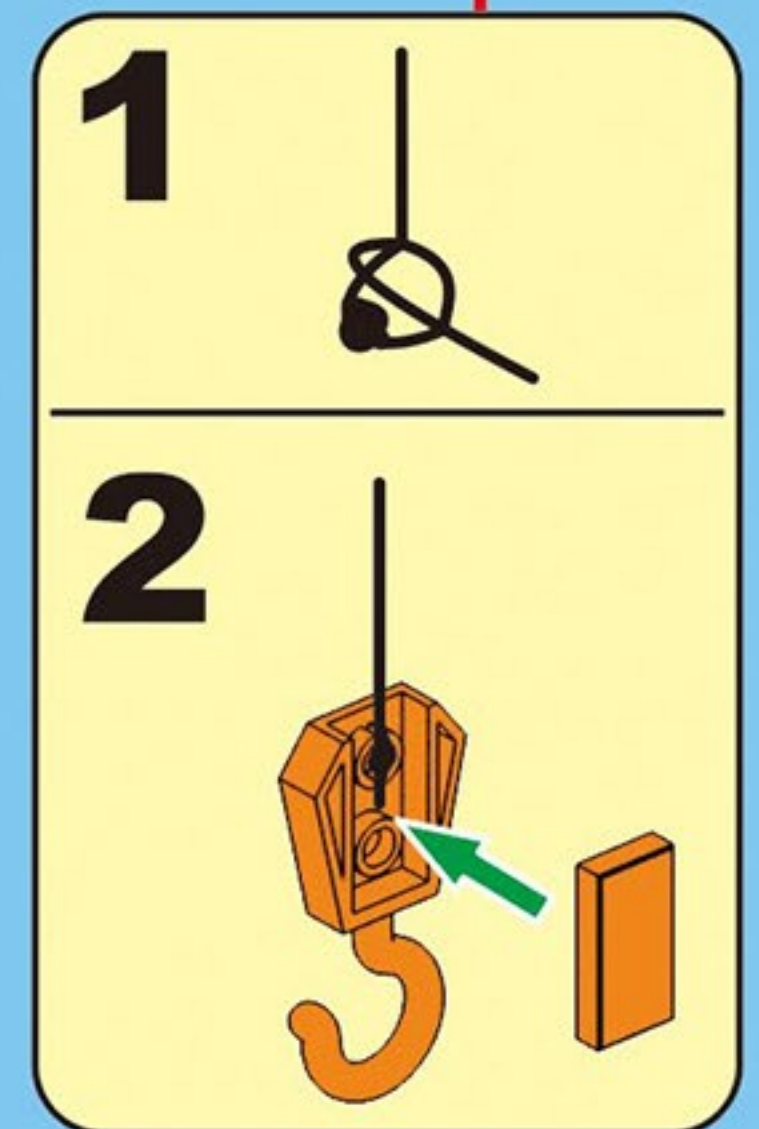
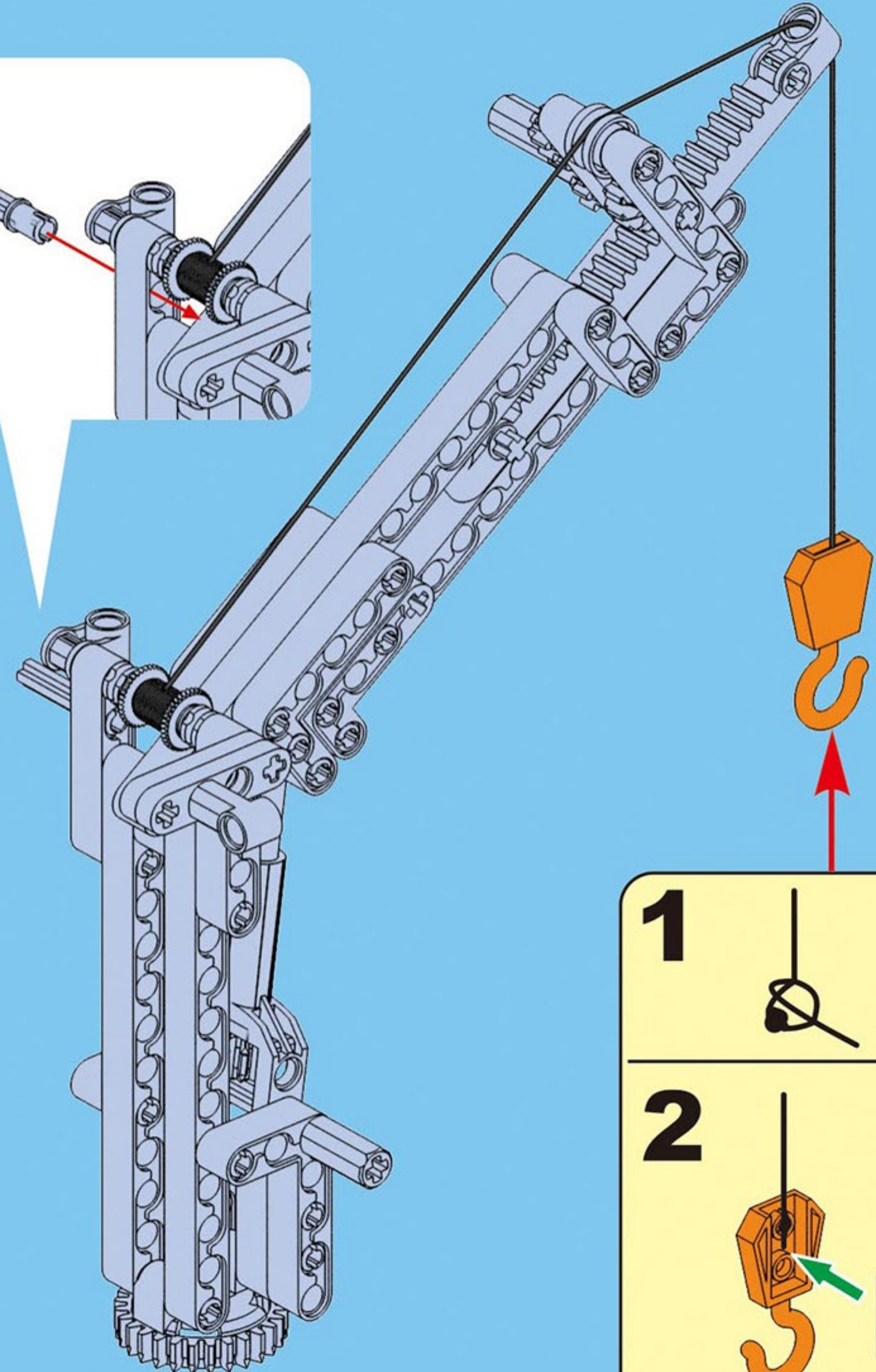
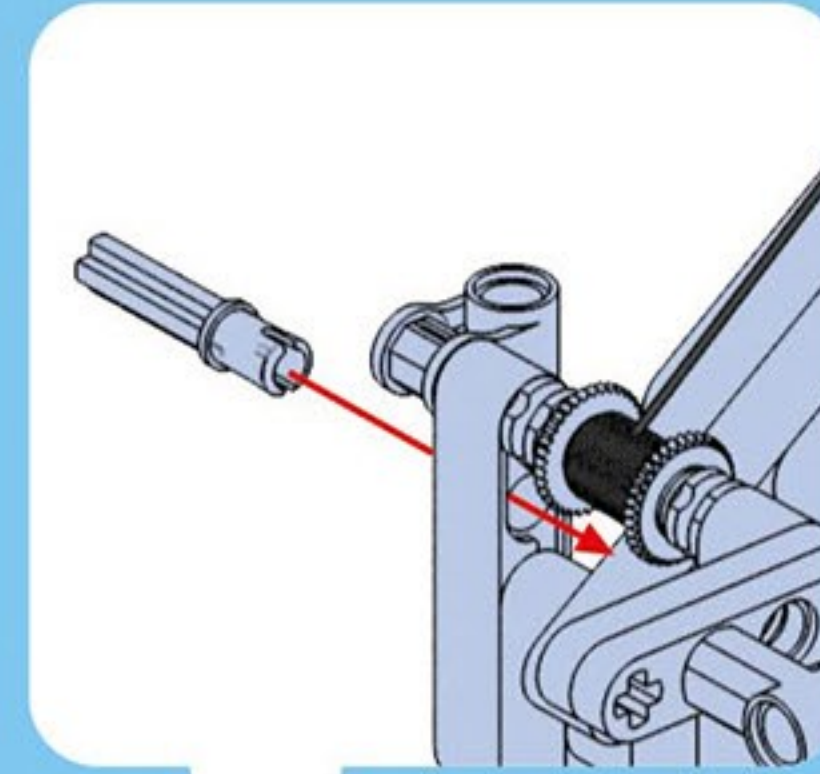
130



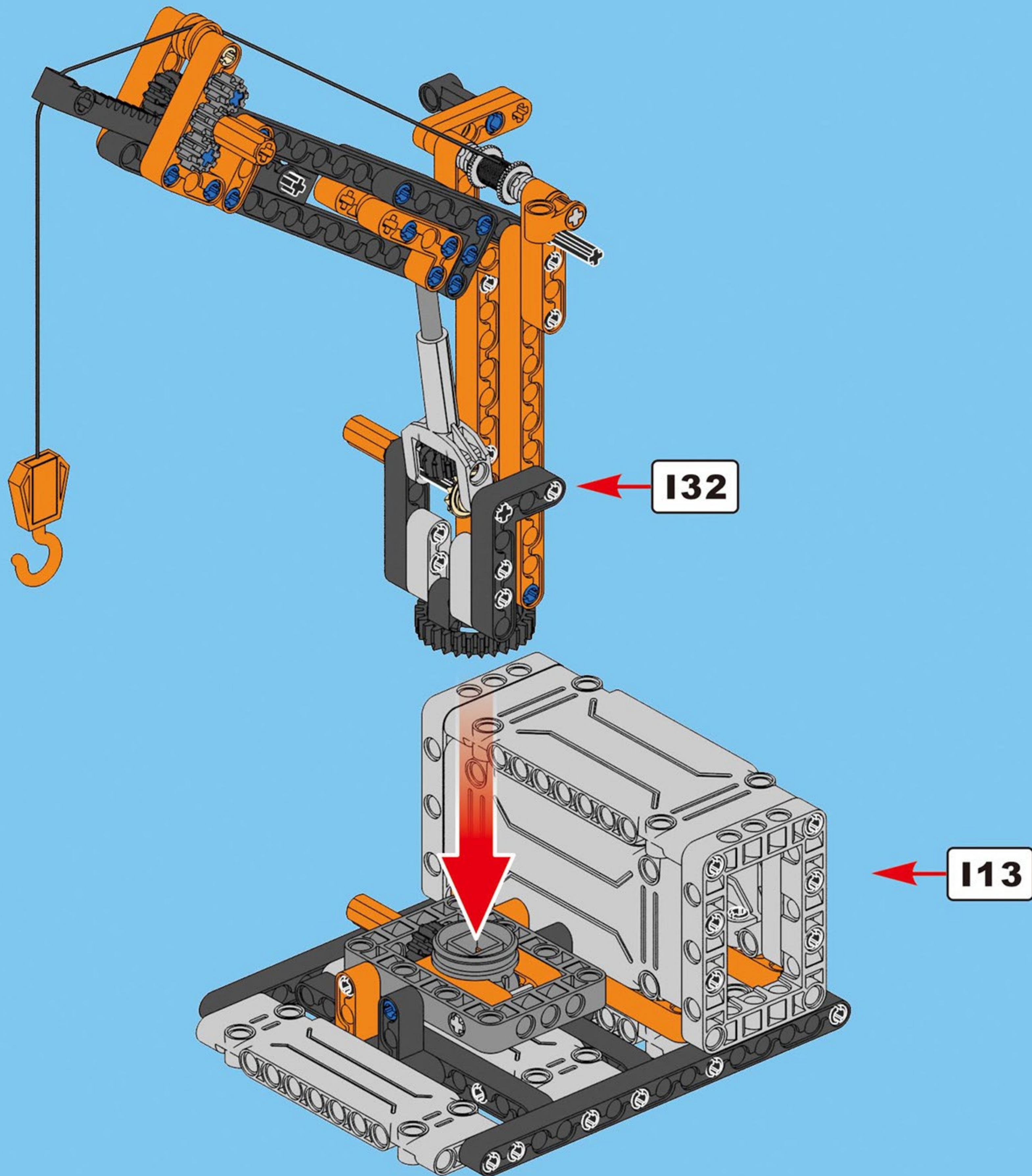
I31



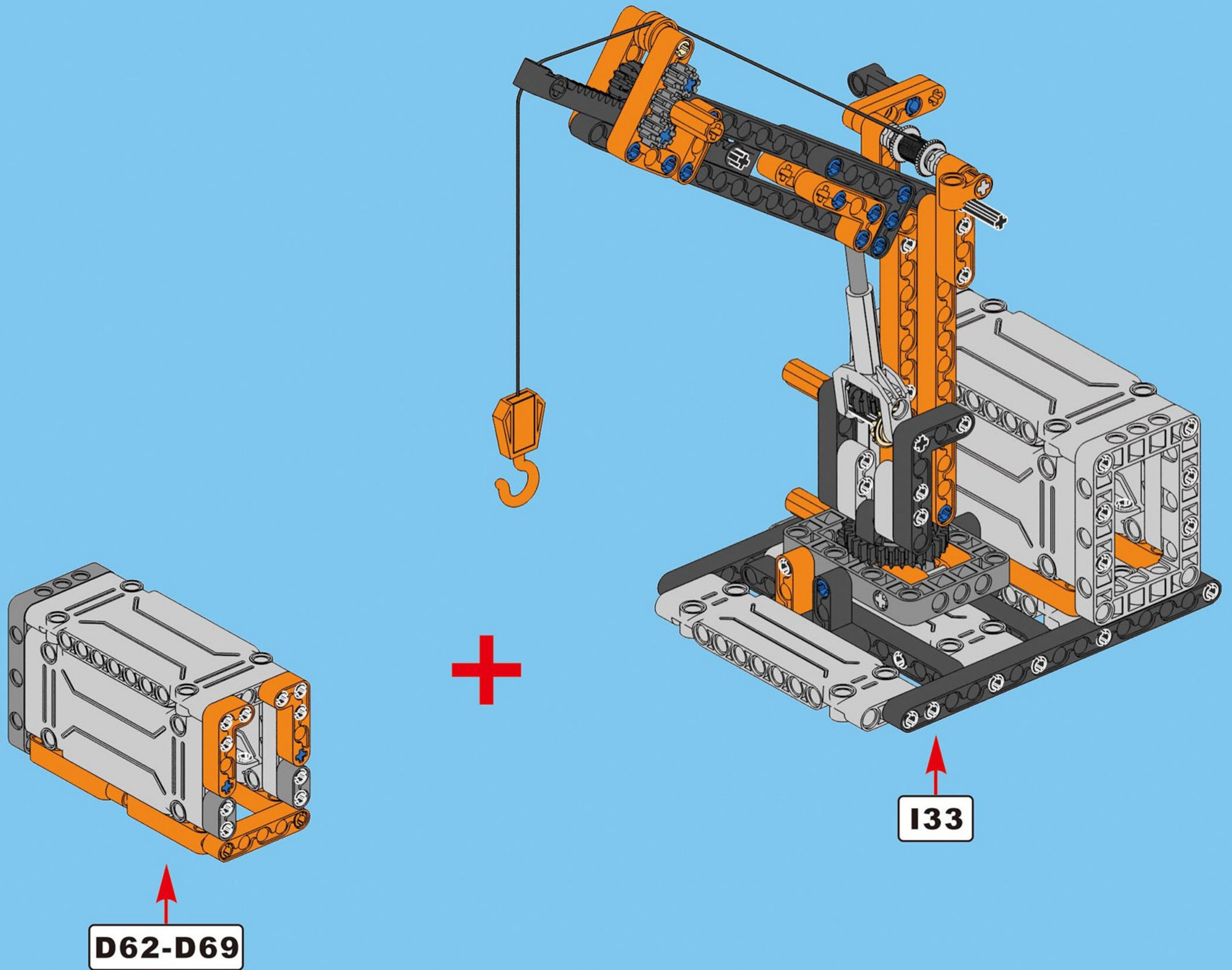
I32



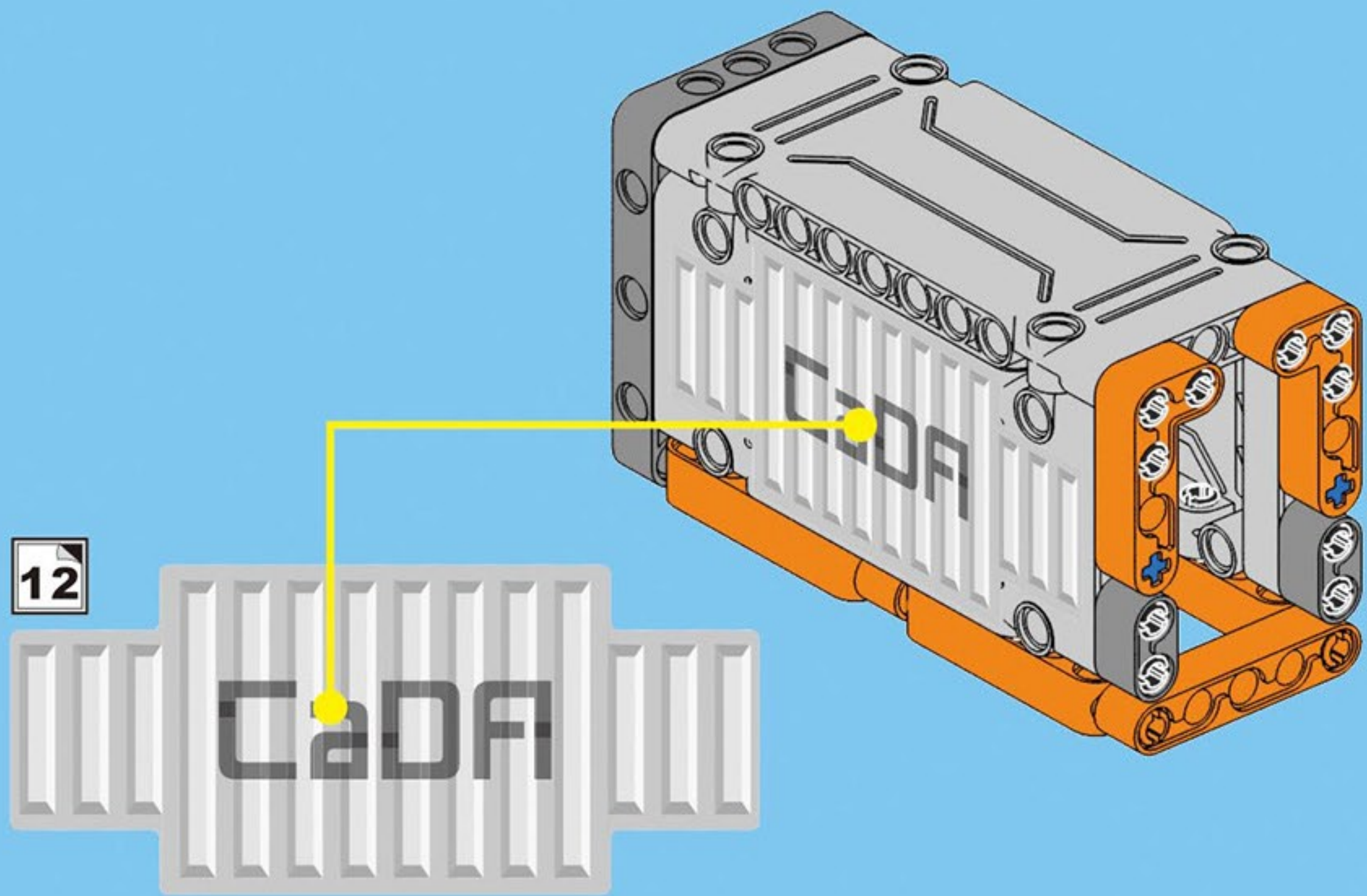
I33



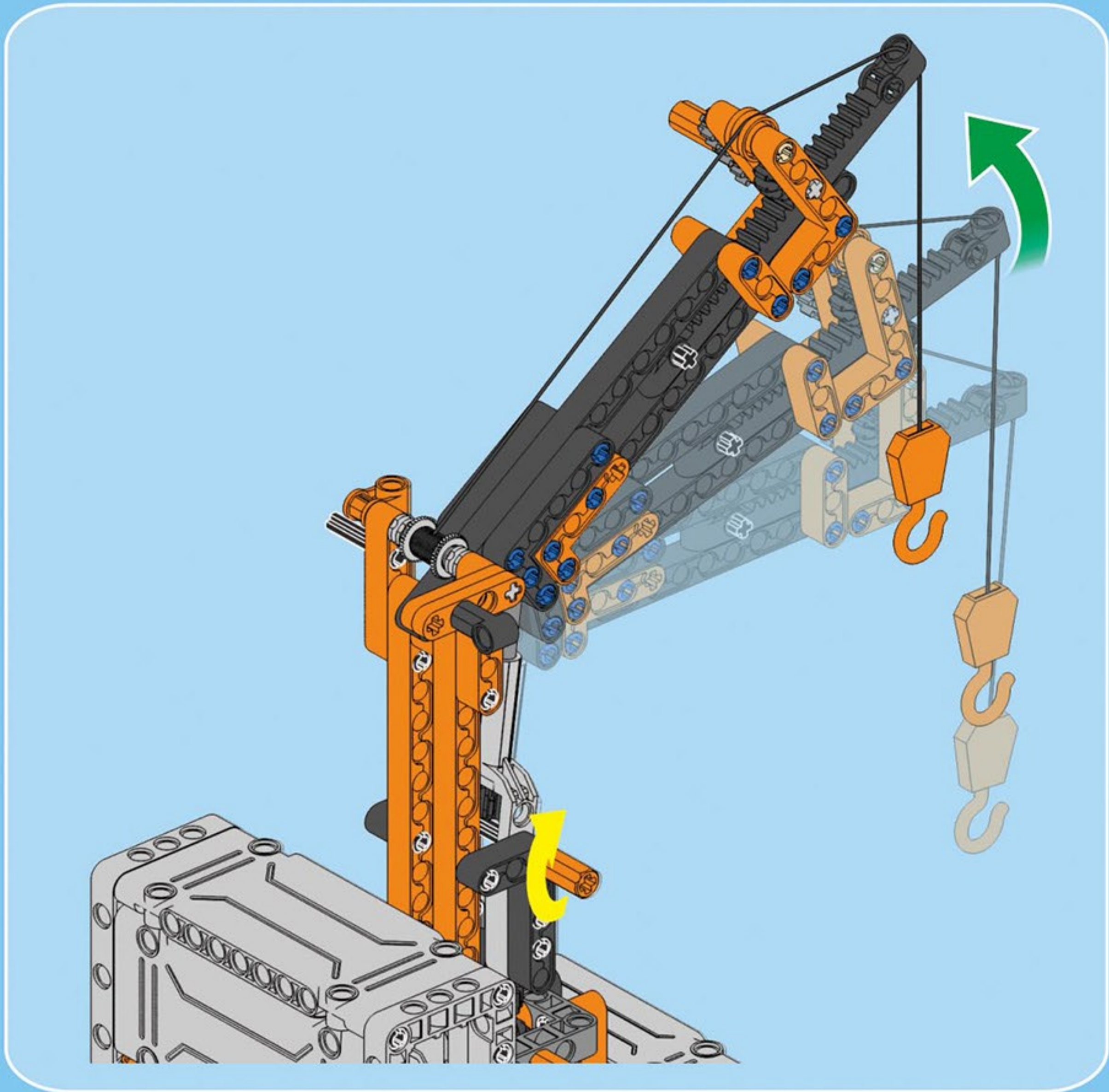
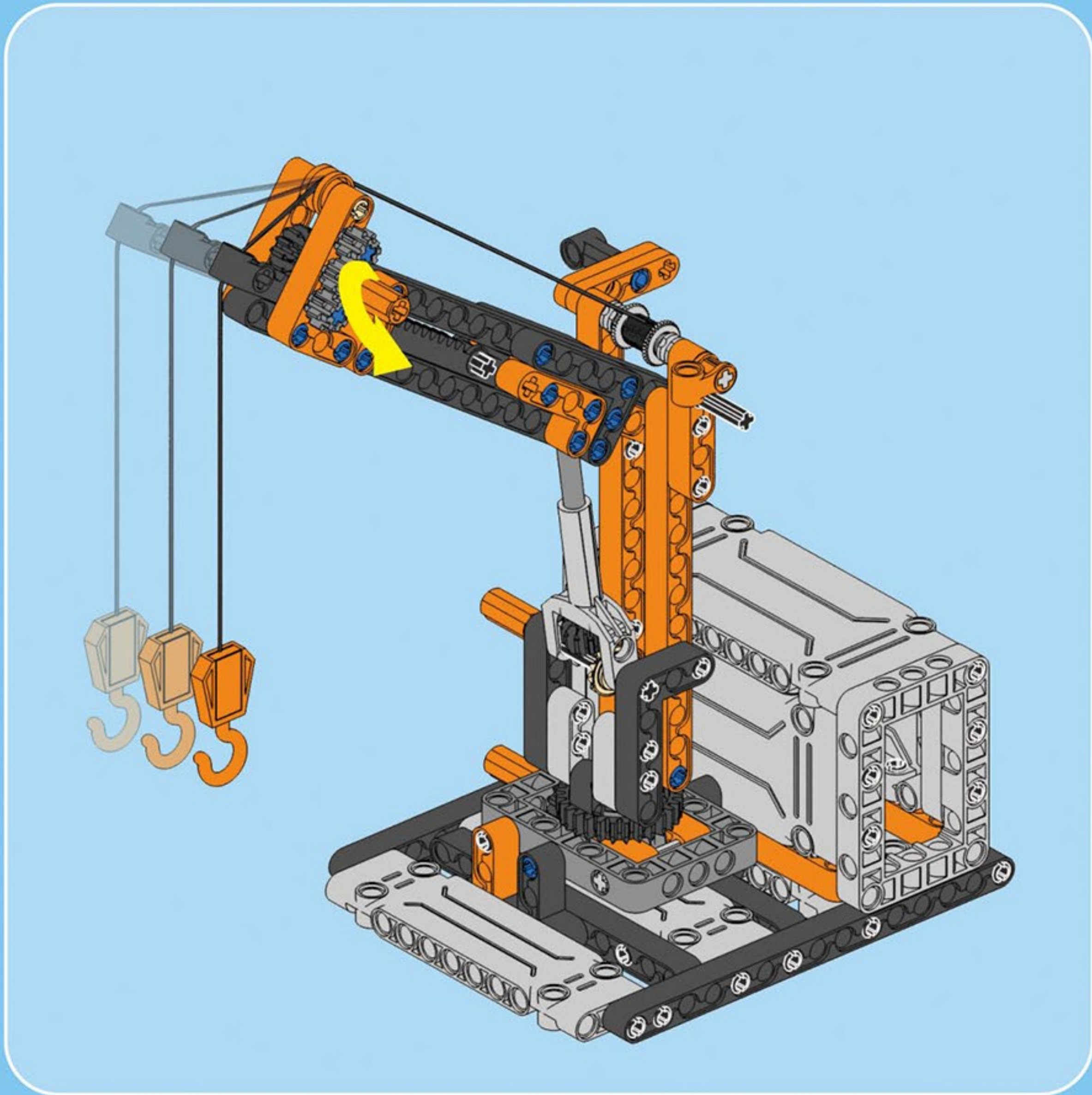
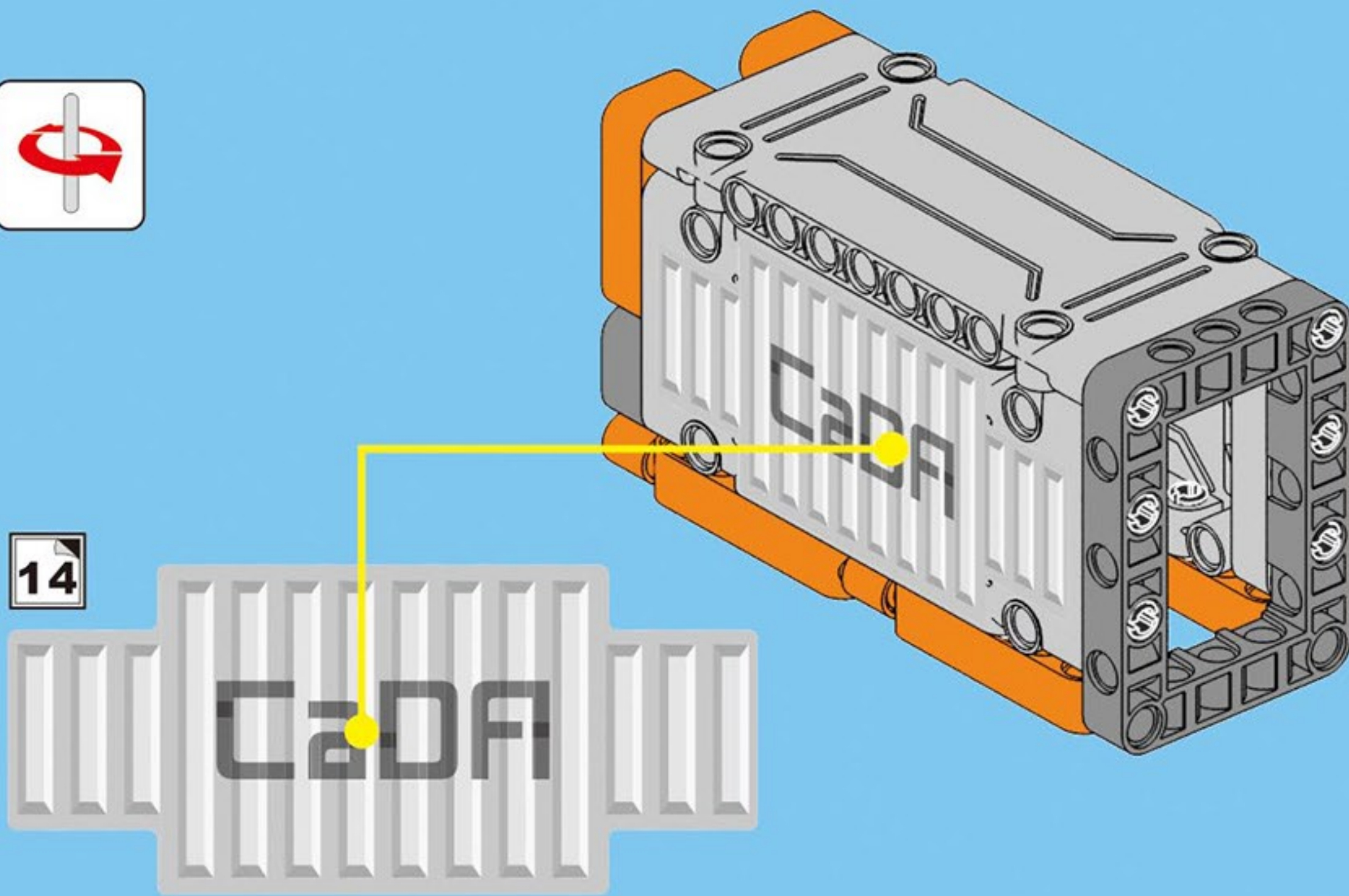
I34

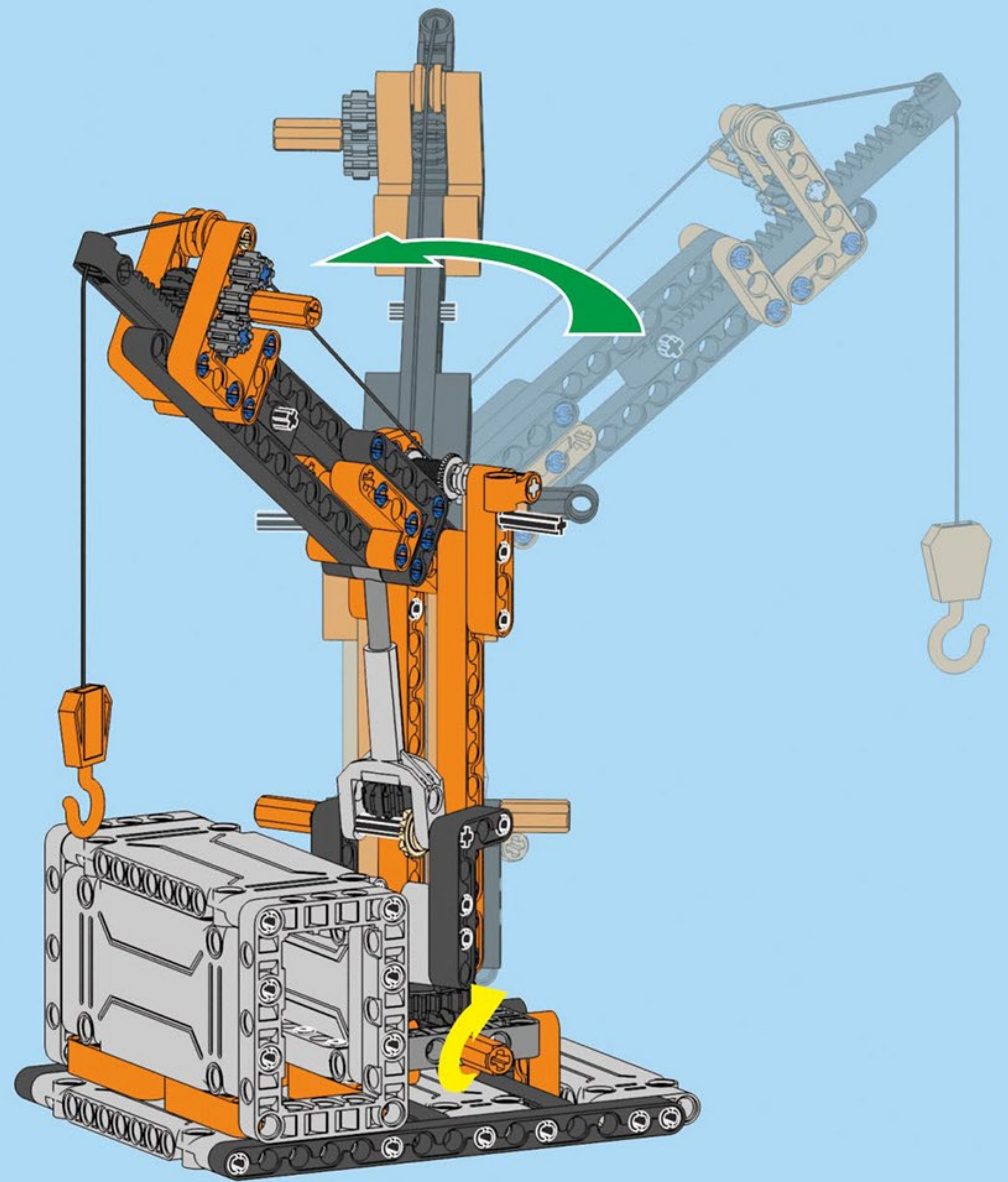
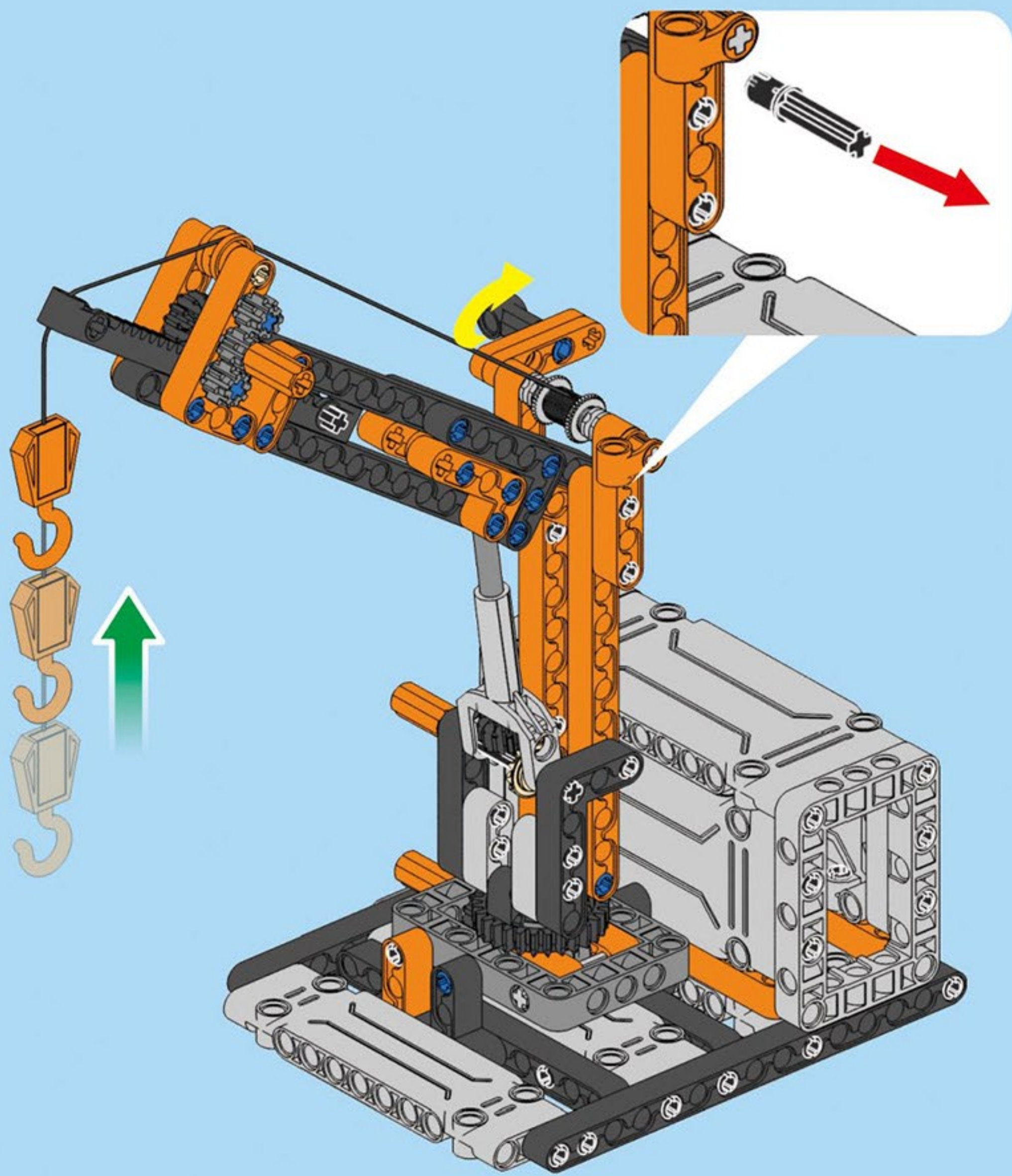


12

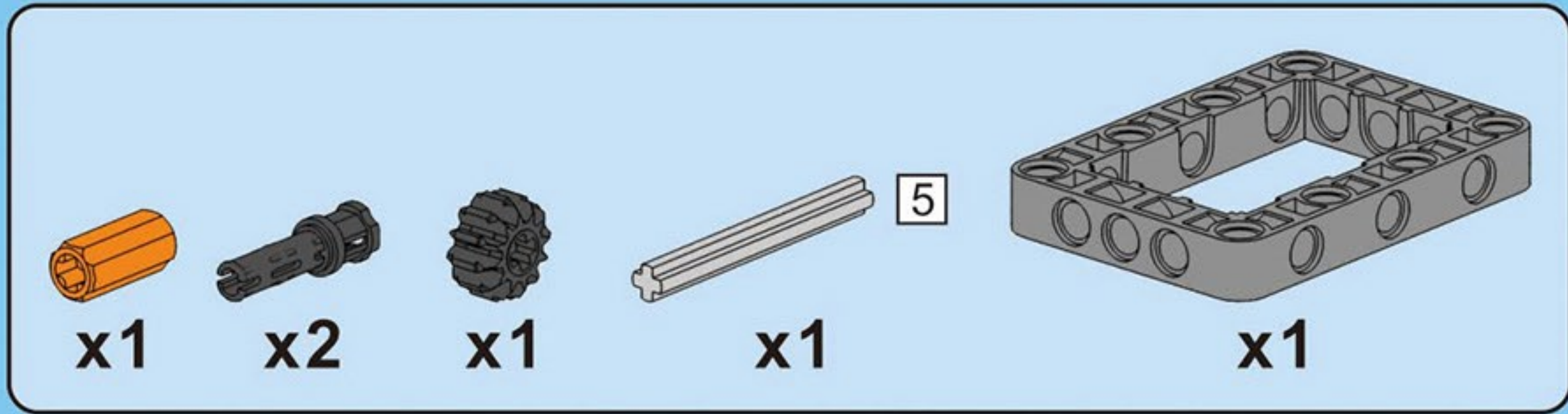
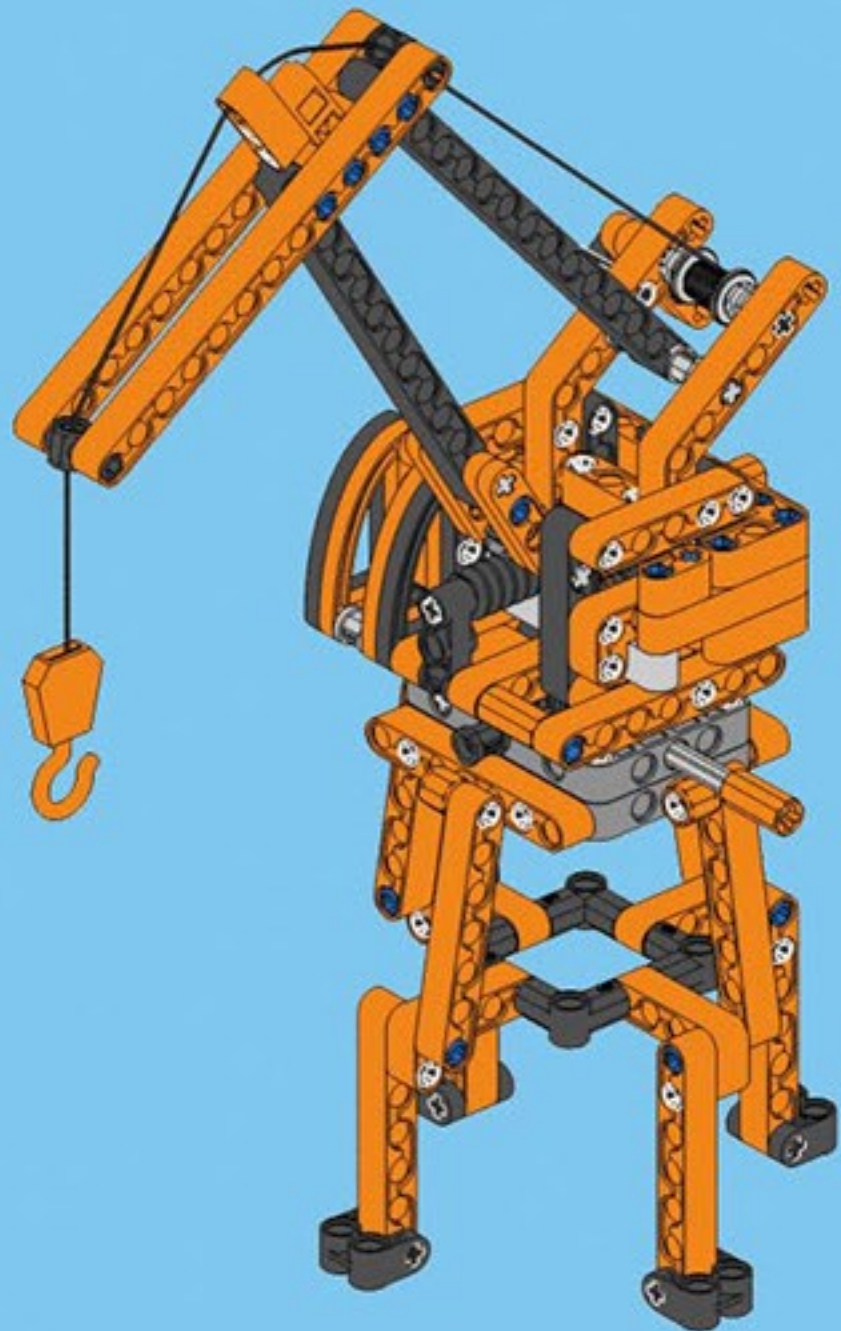


14

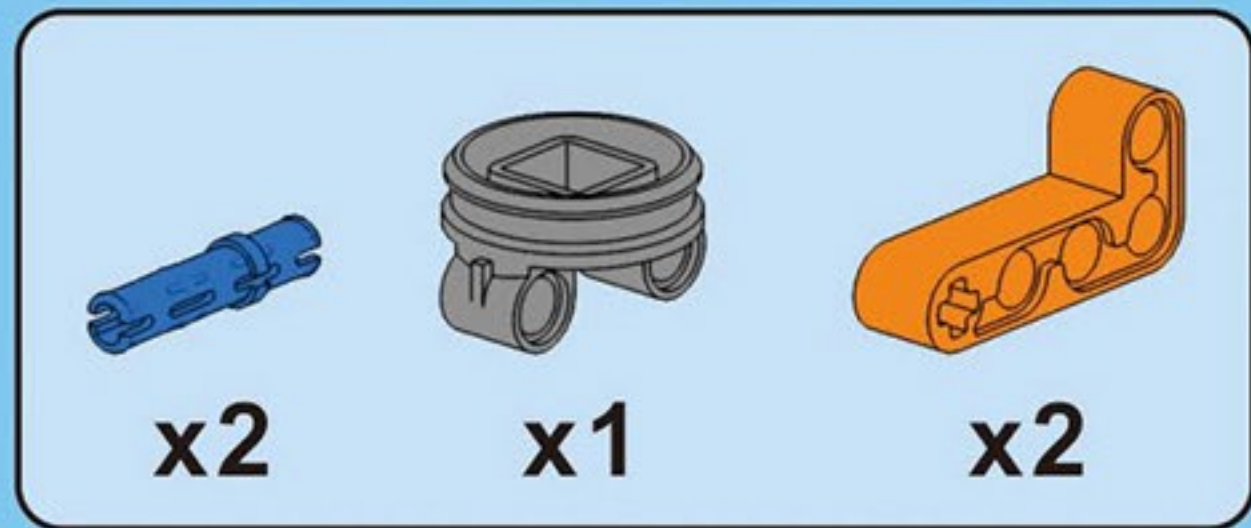
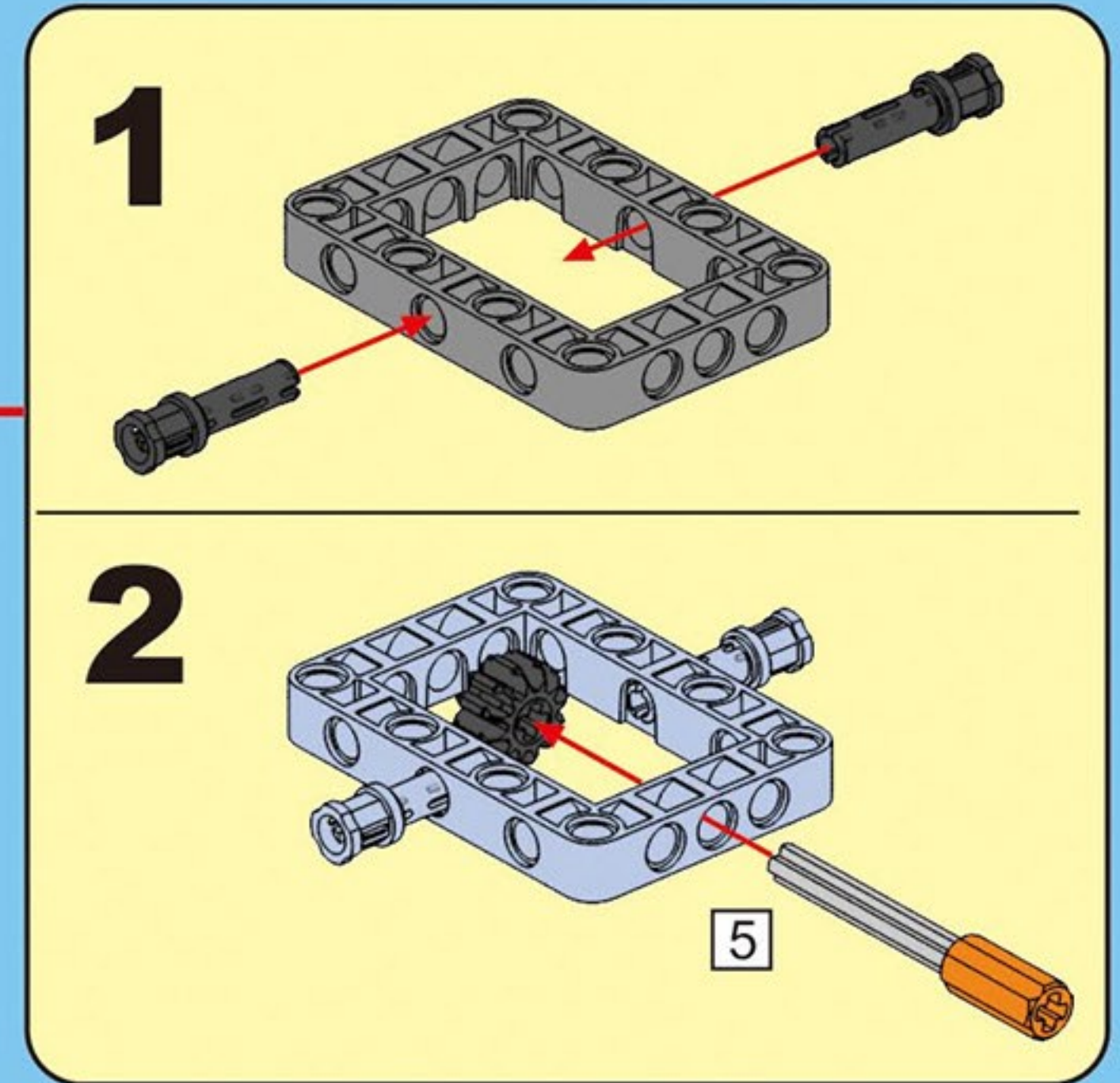
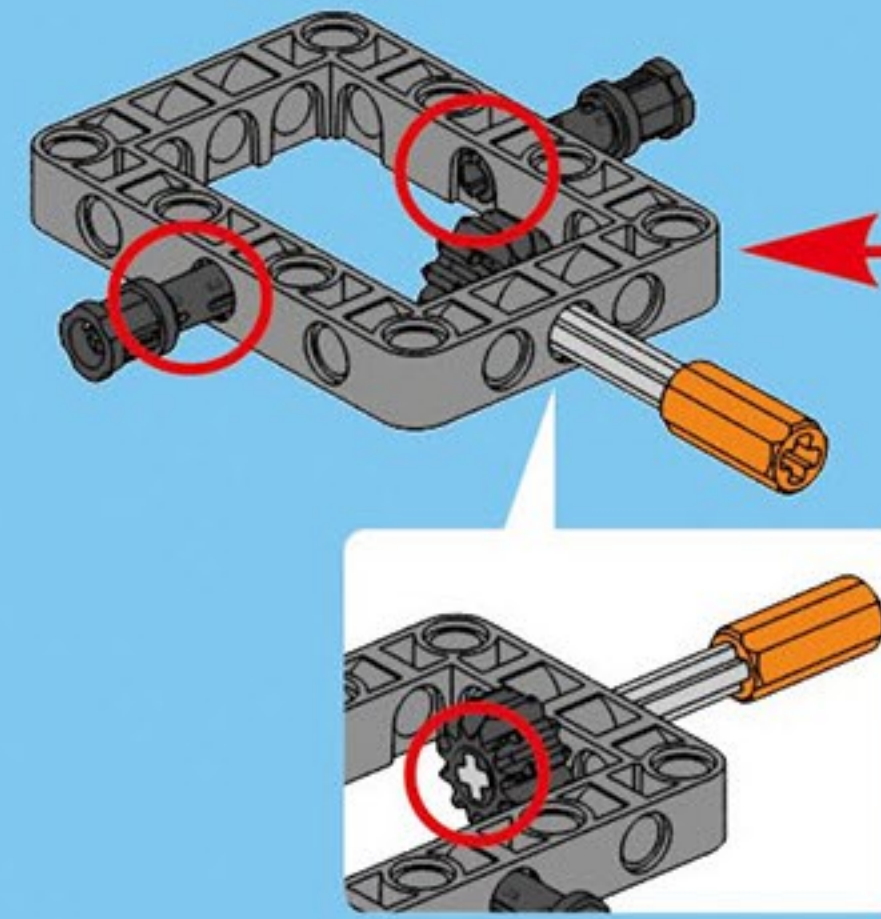




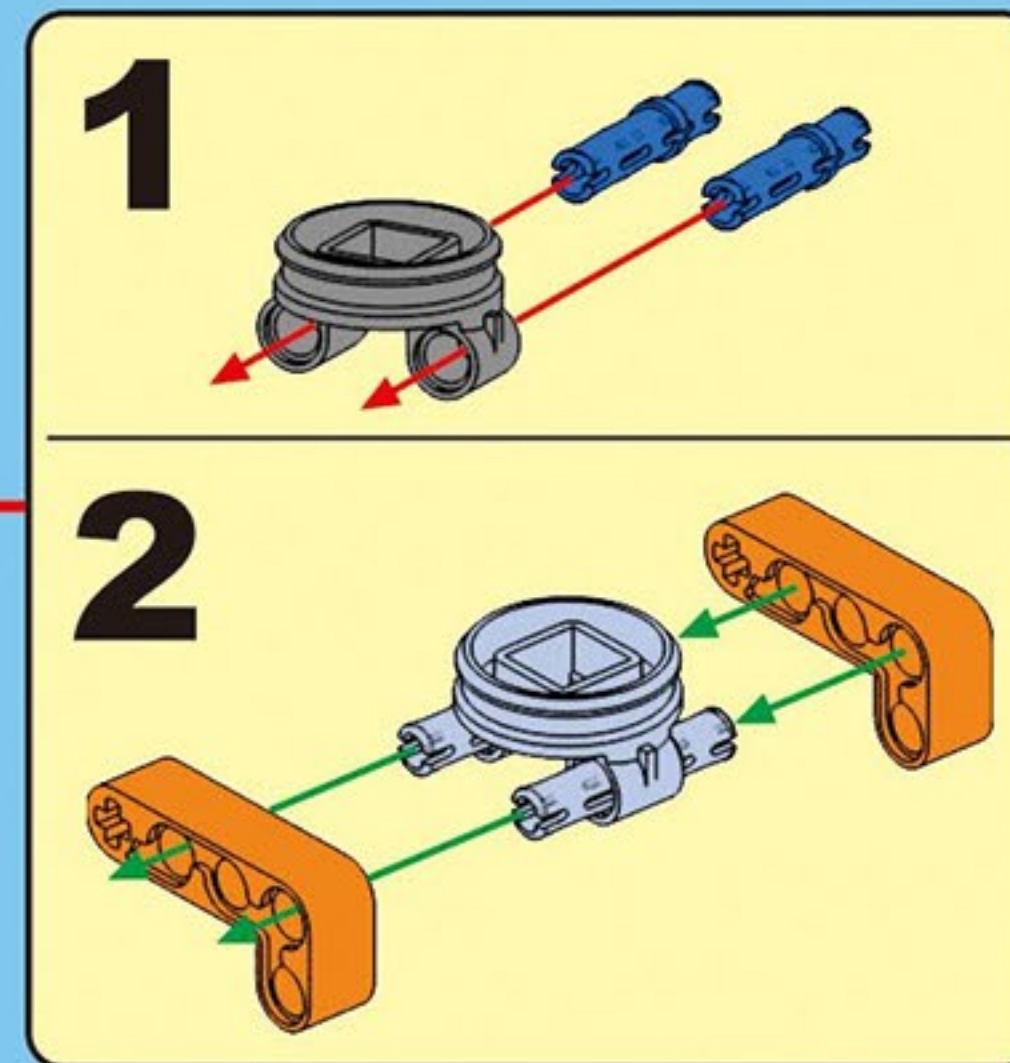
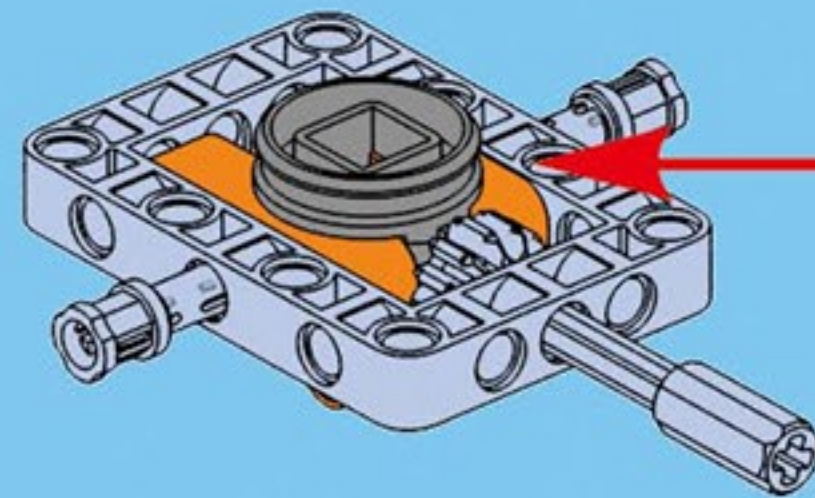
J



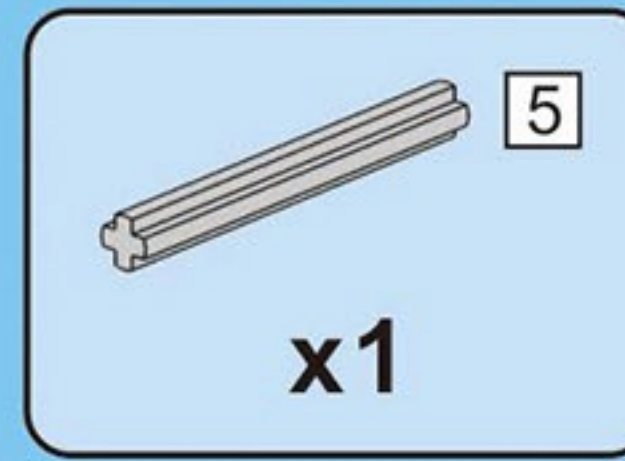
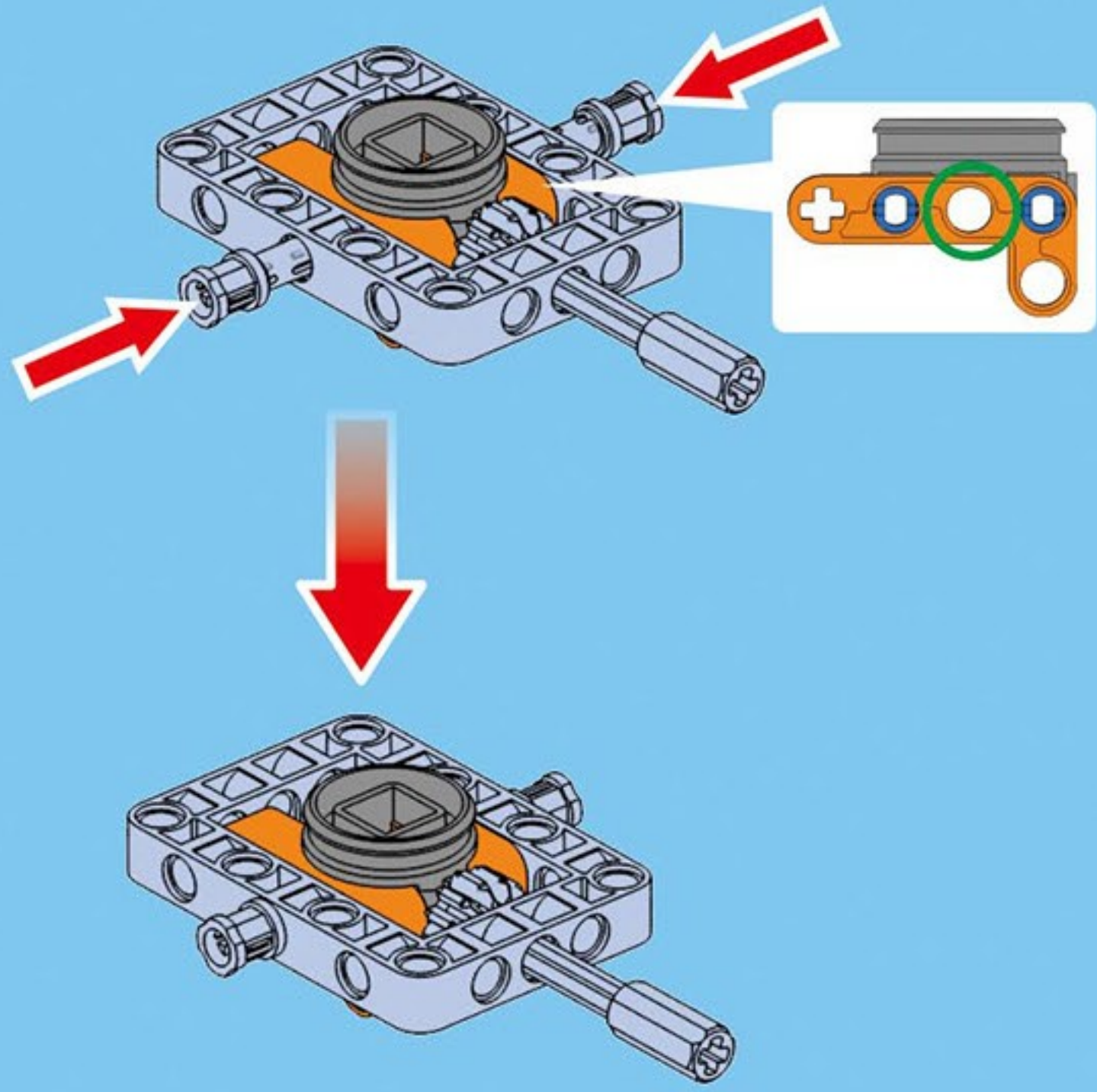
J1



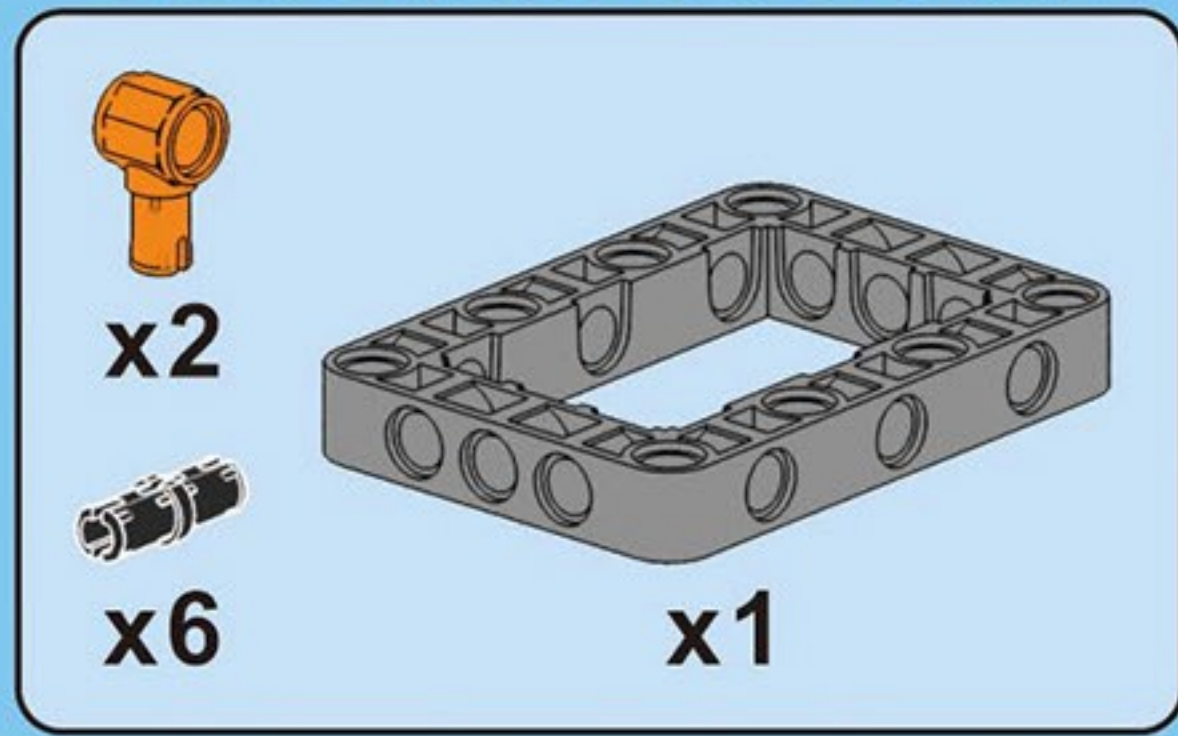
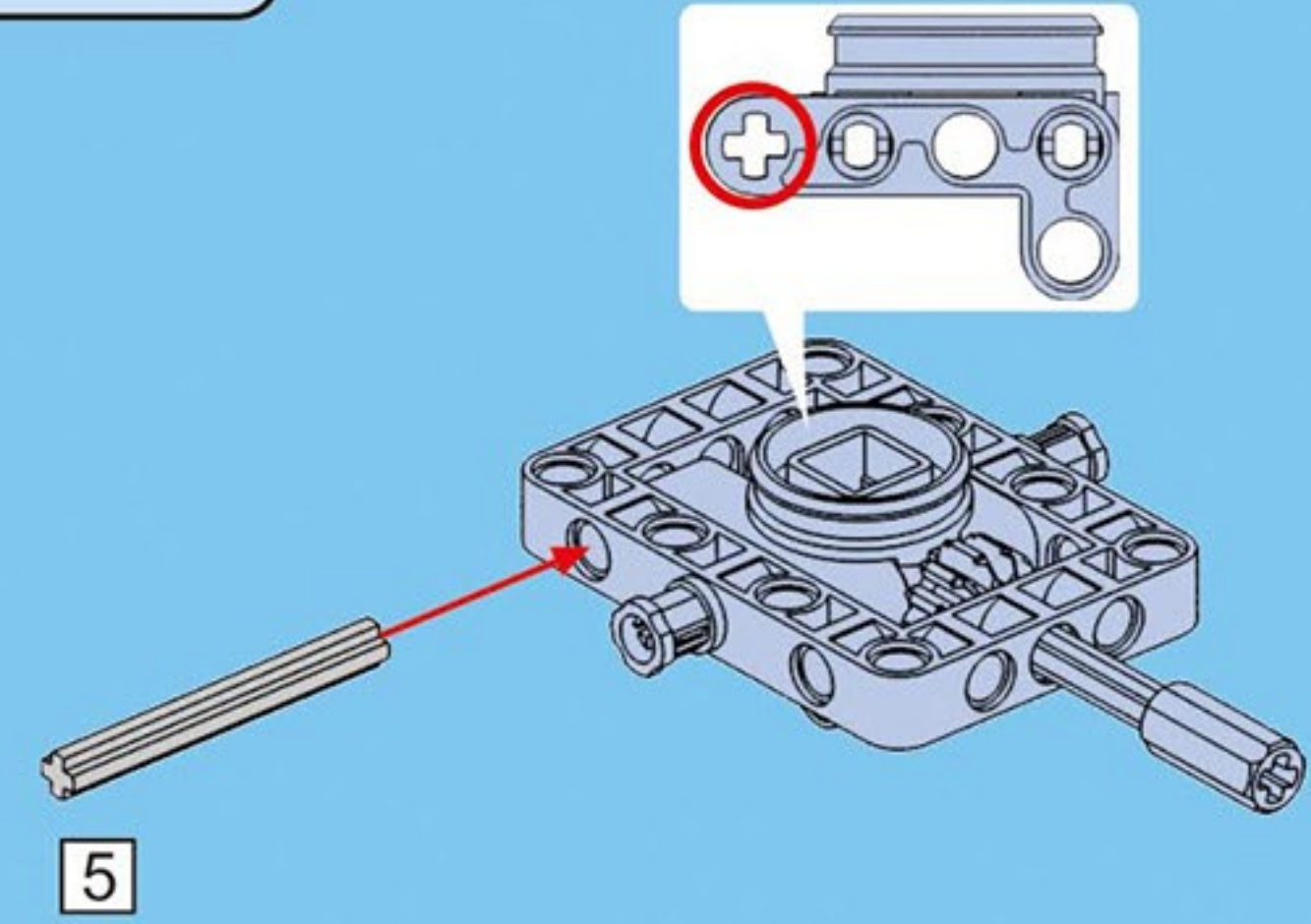
J2



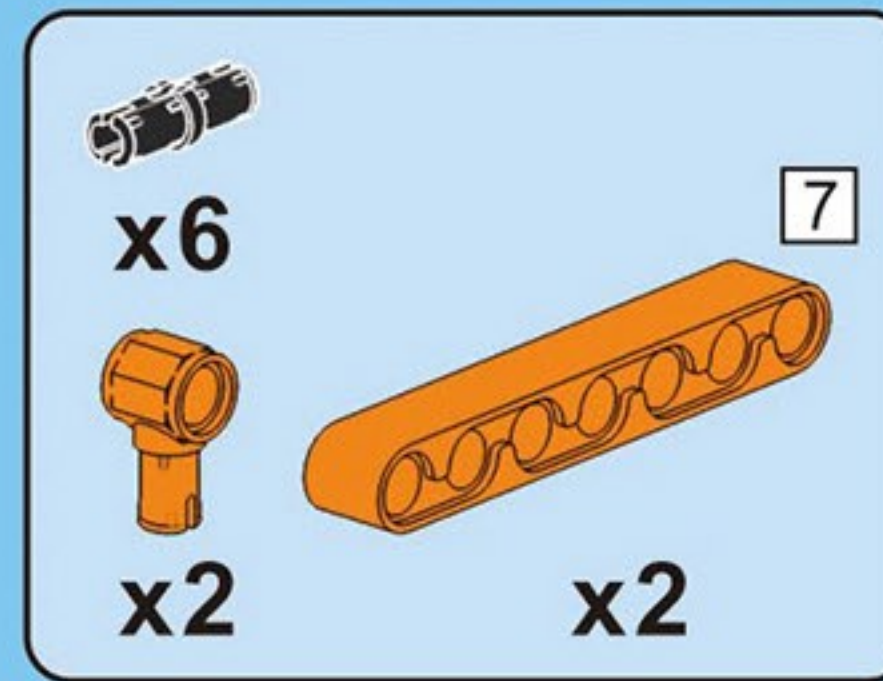
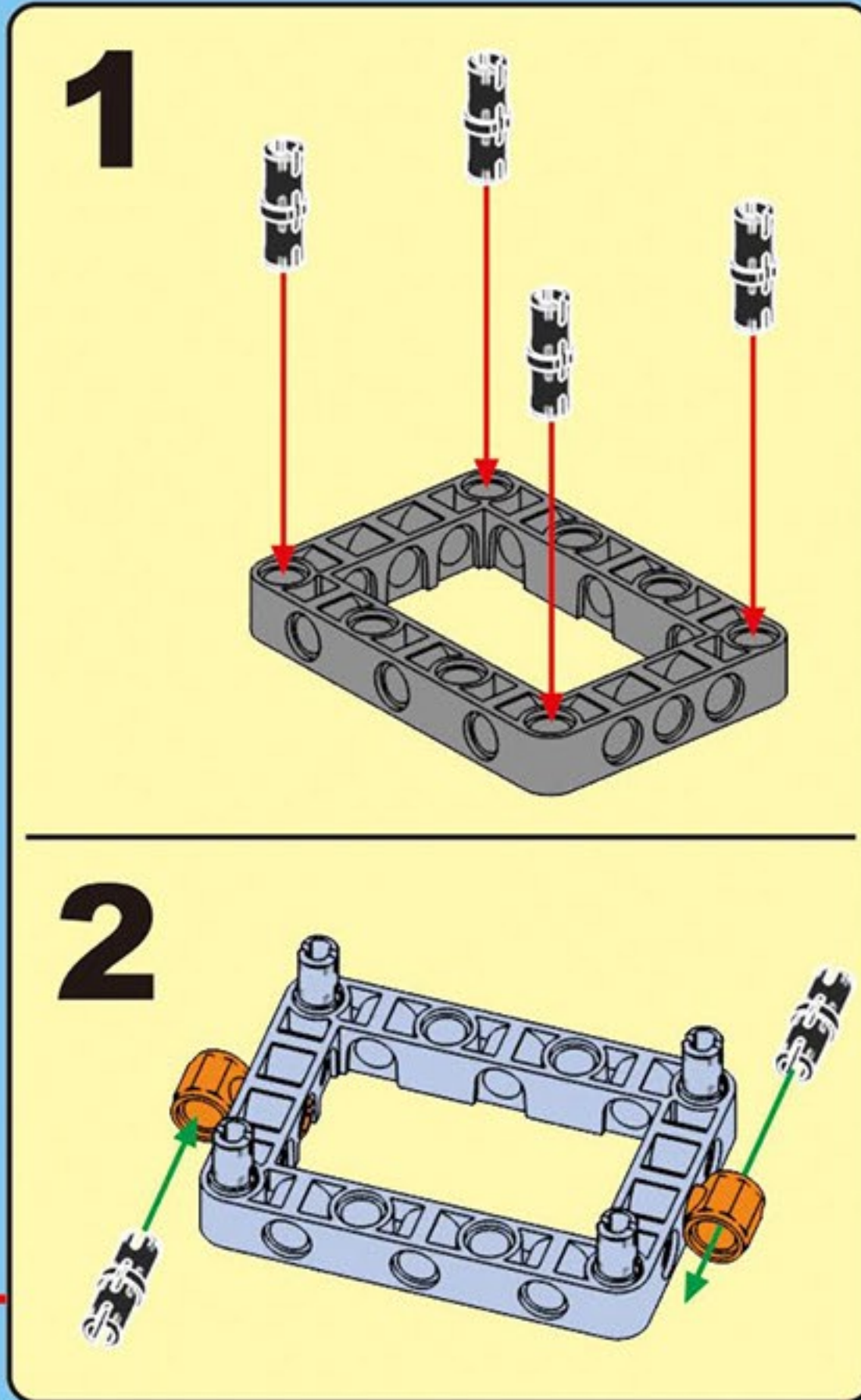
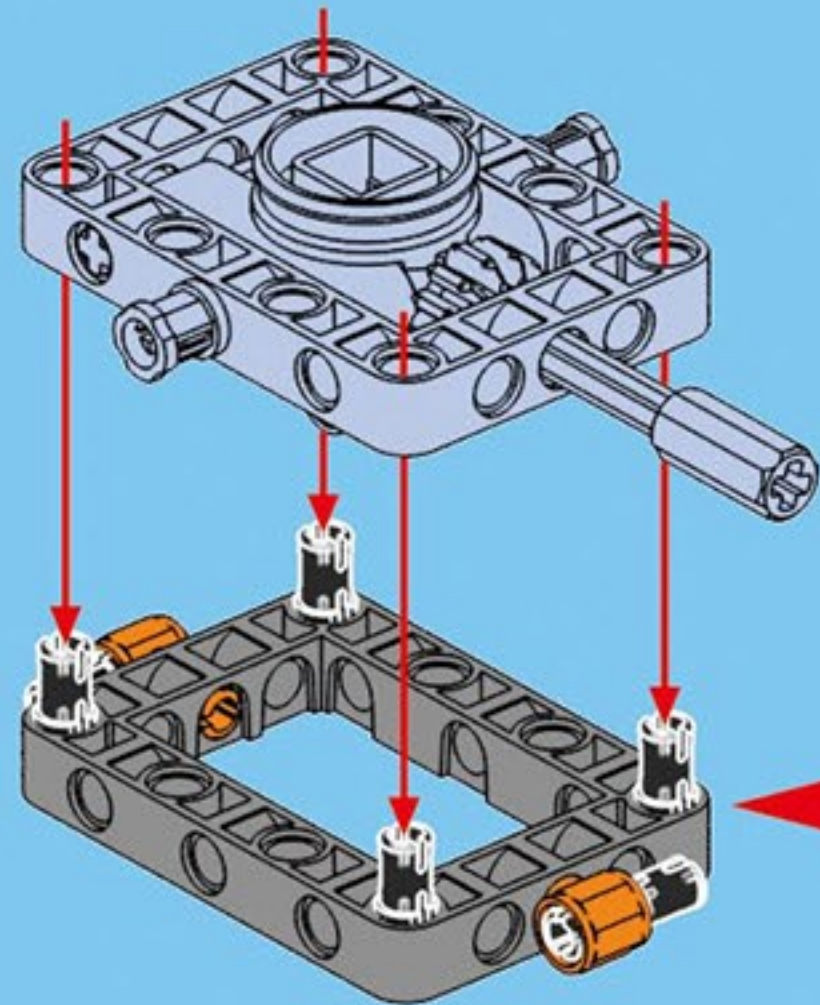
J3



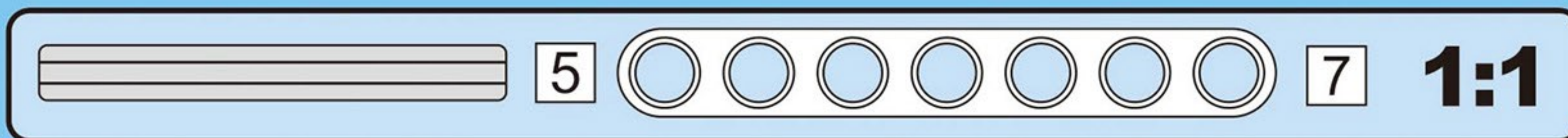
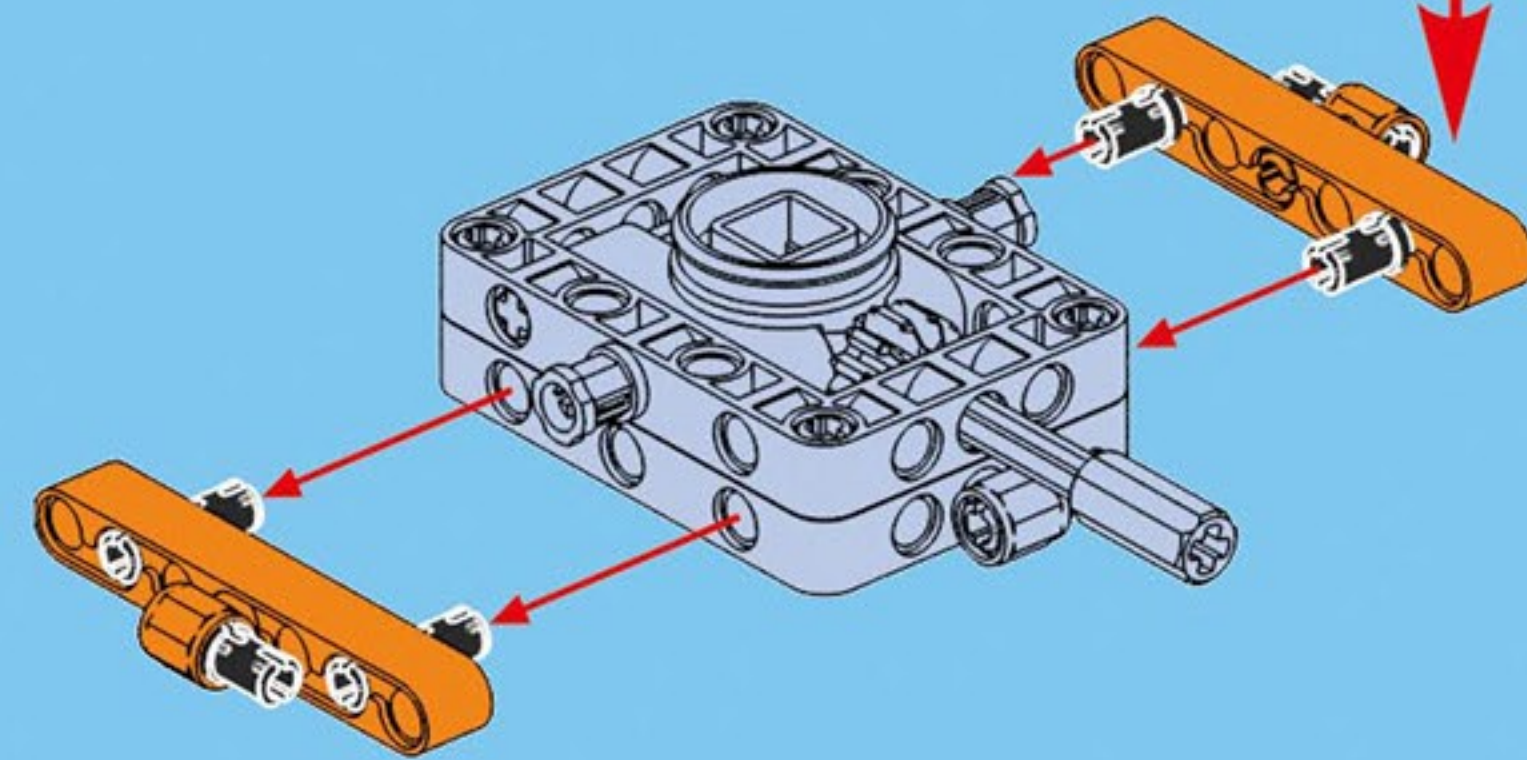
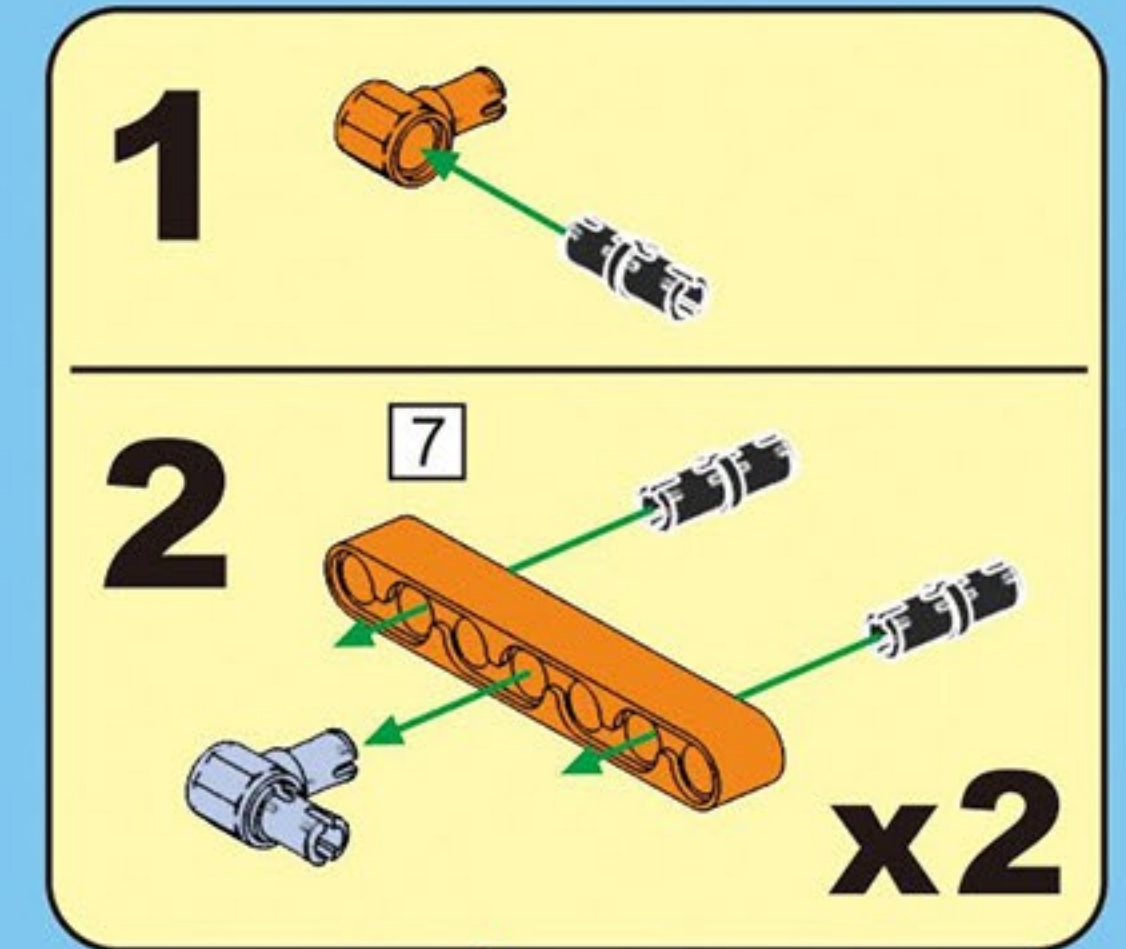
J4

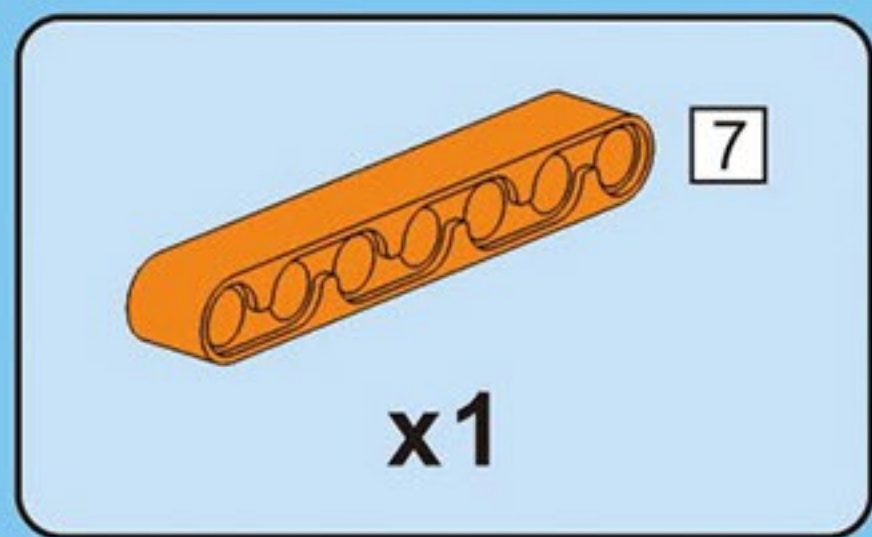


J5

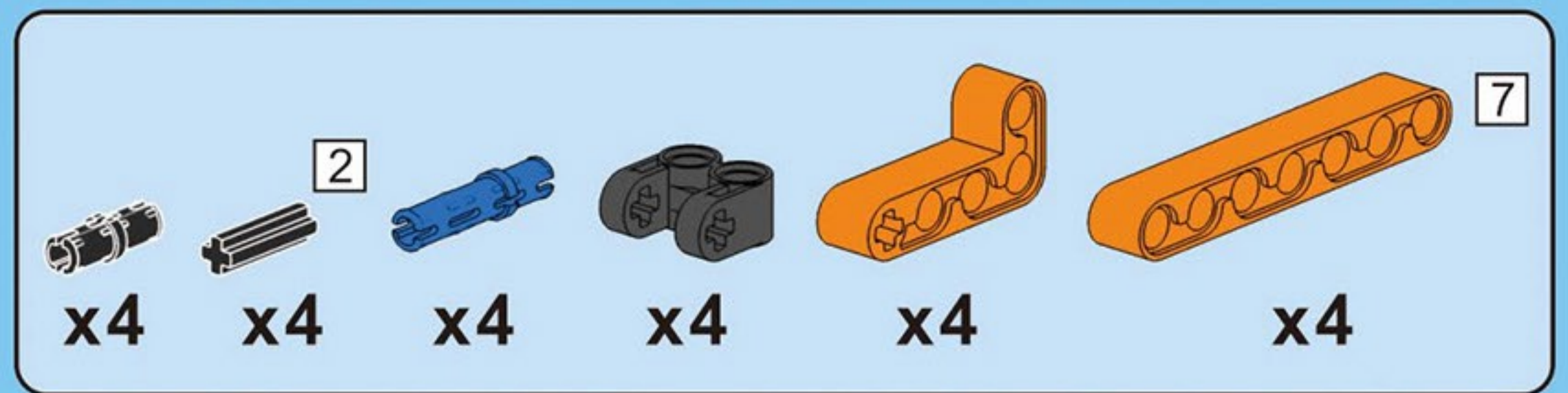
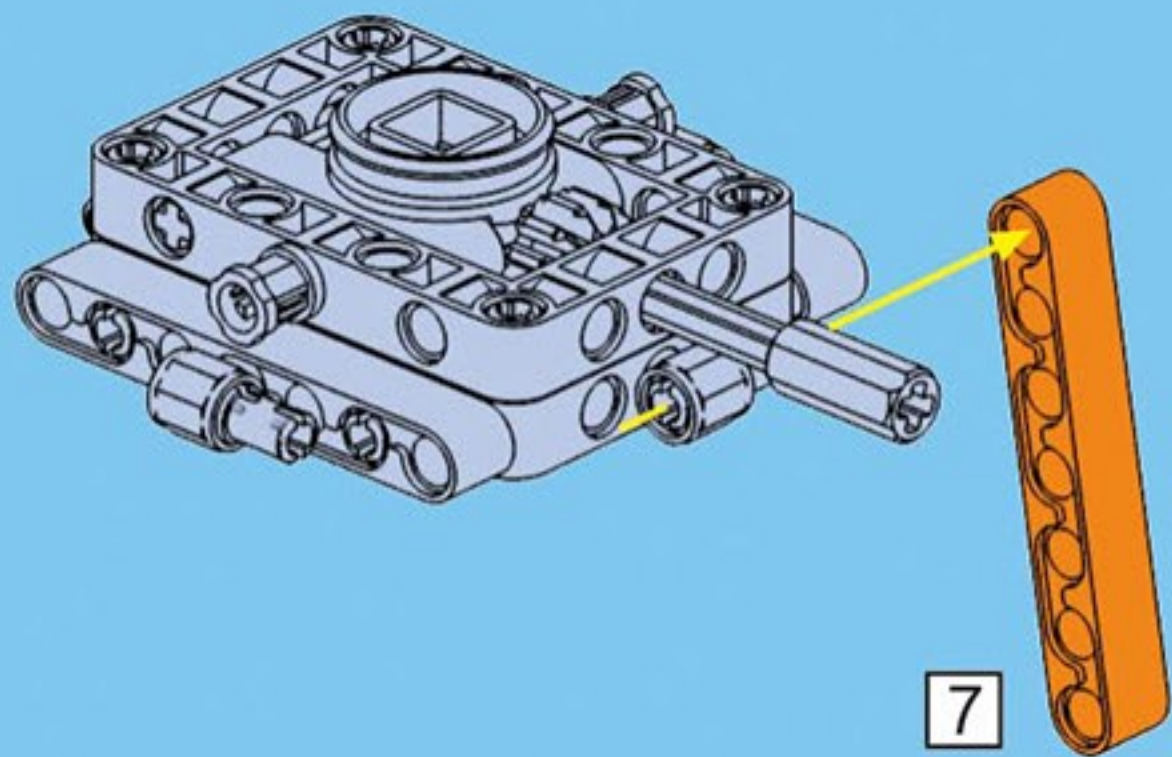


J6

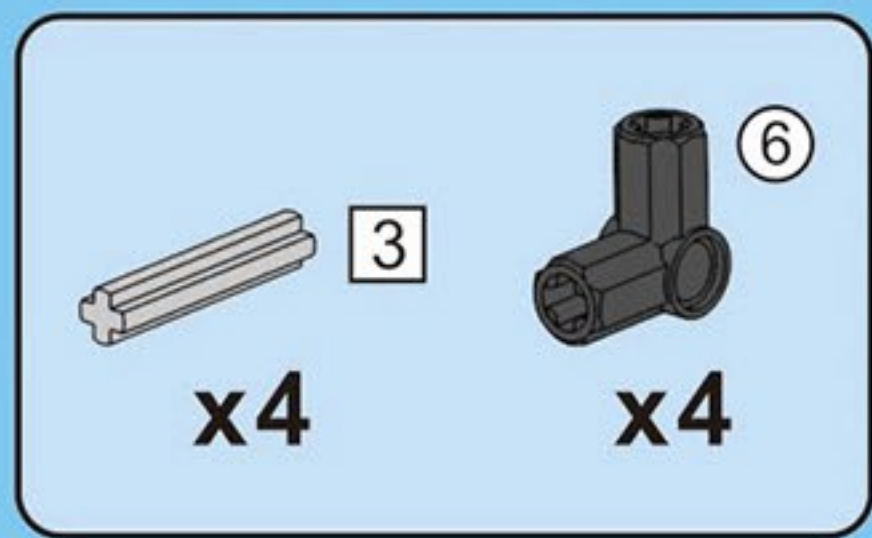
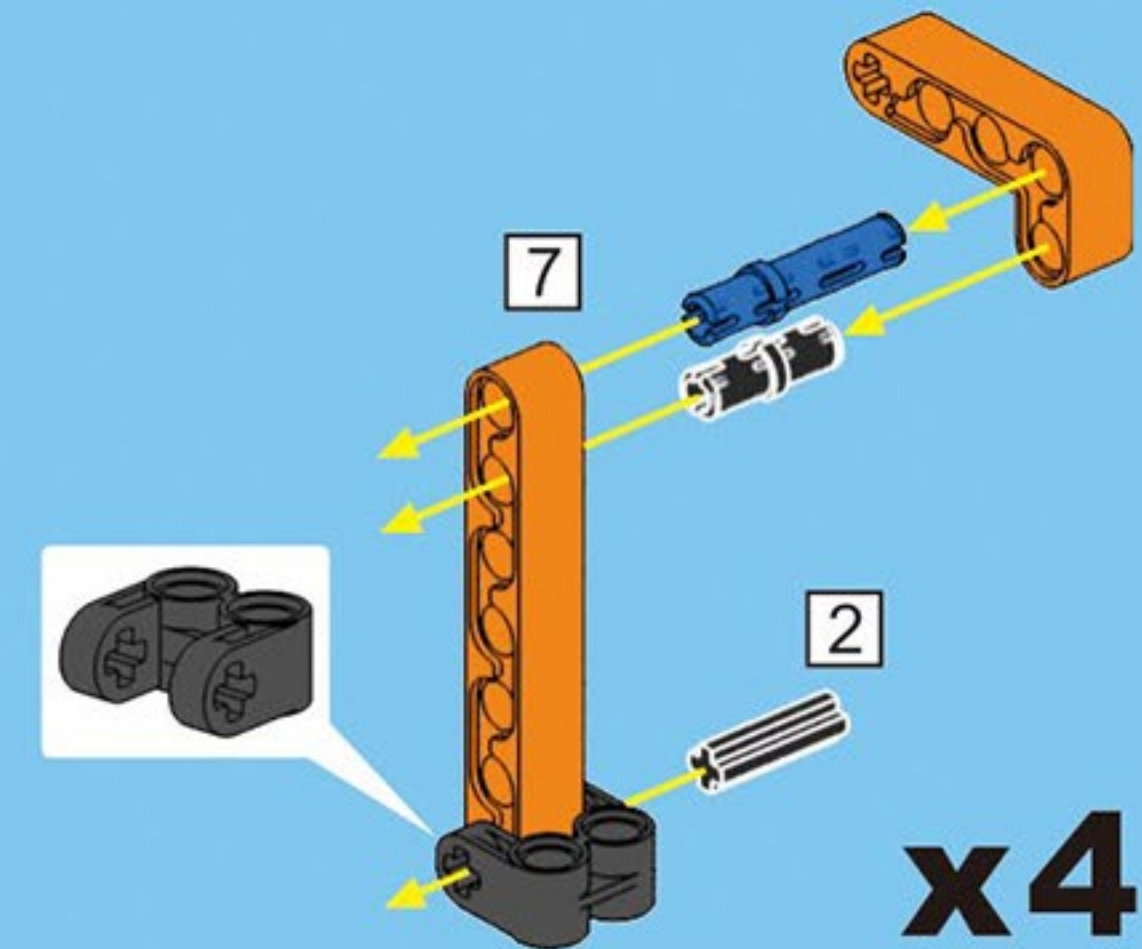




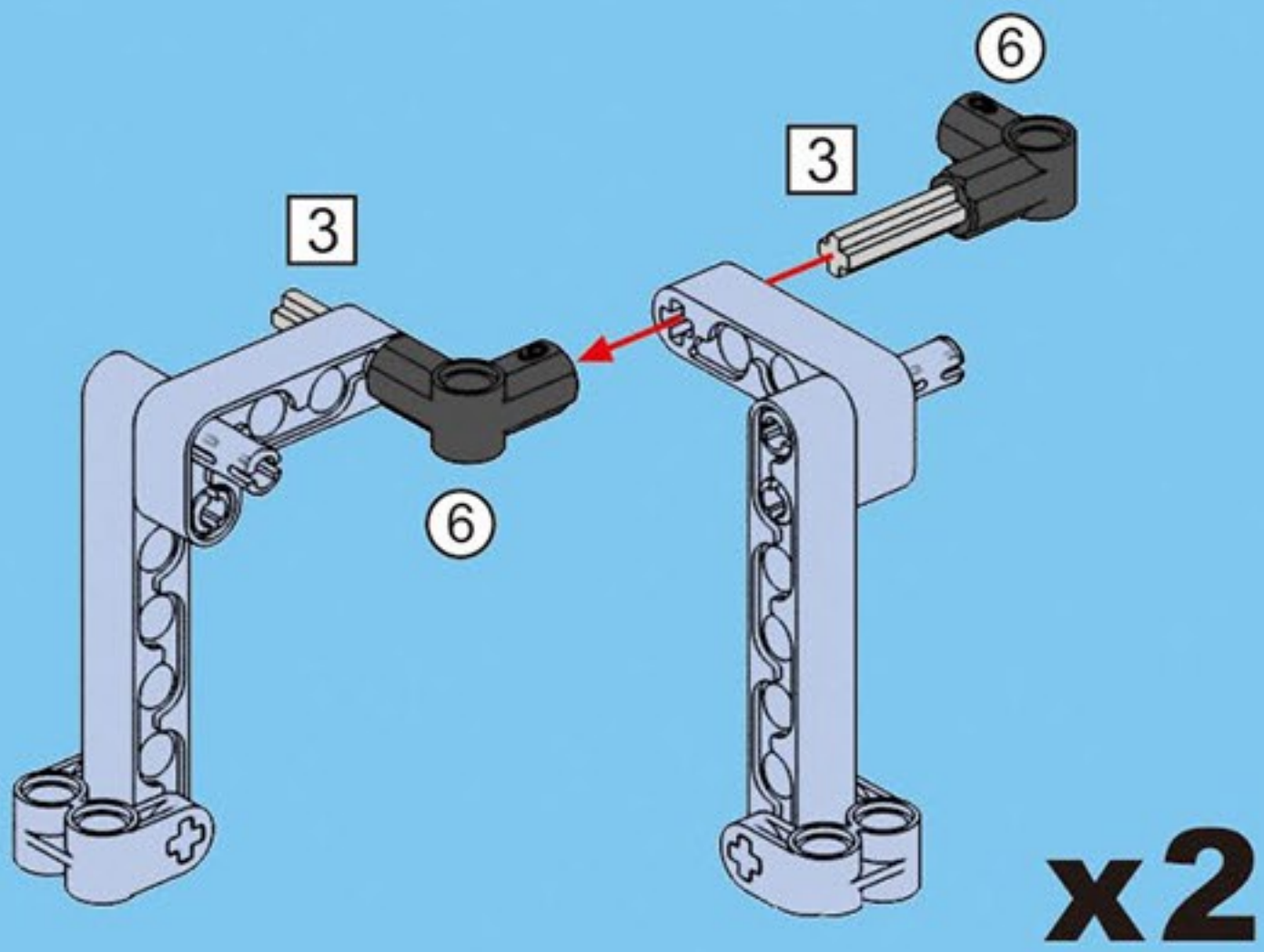
J7



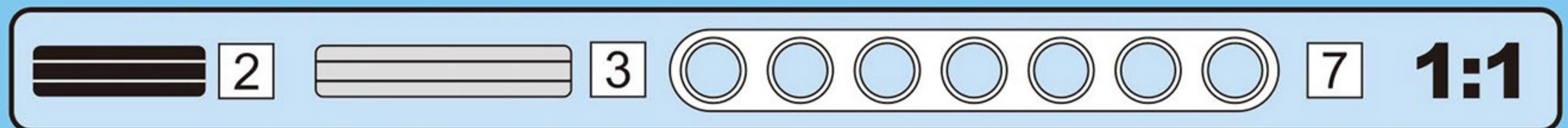
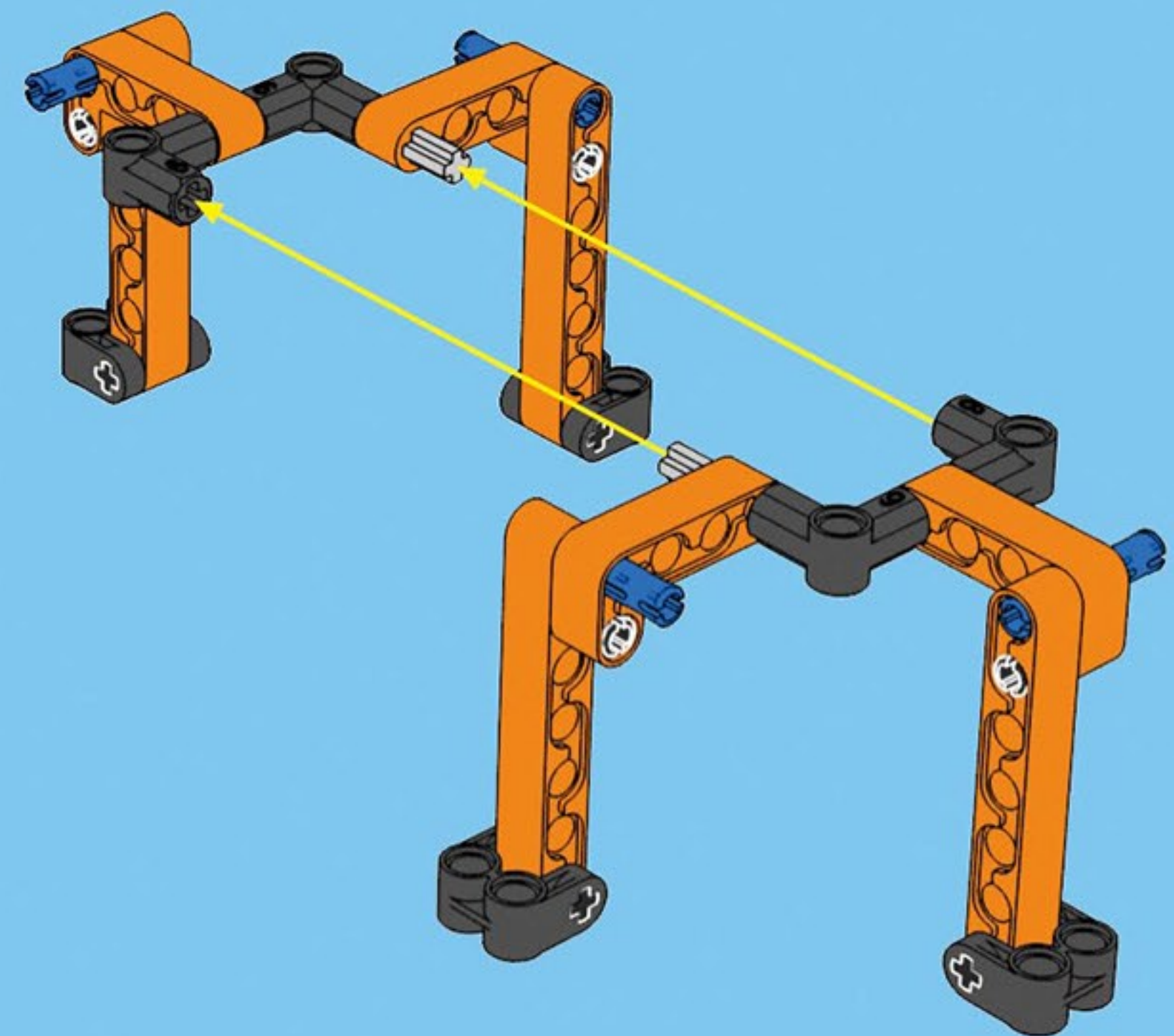
J8



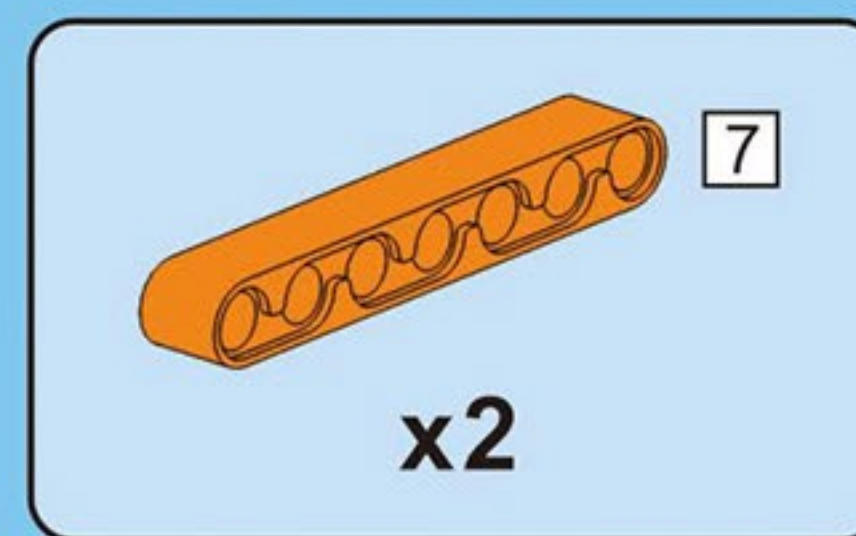
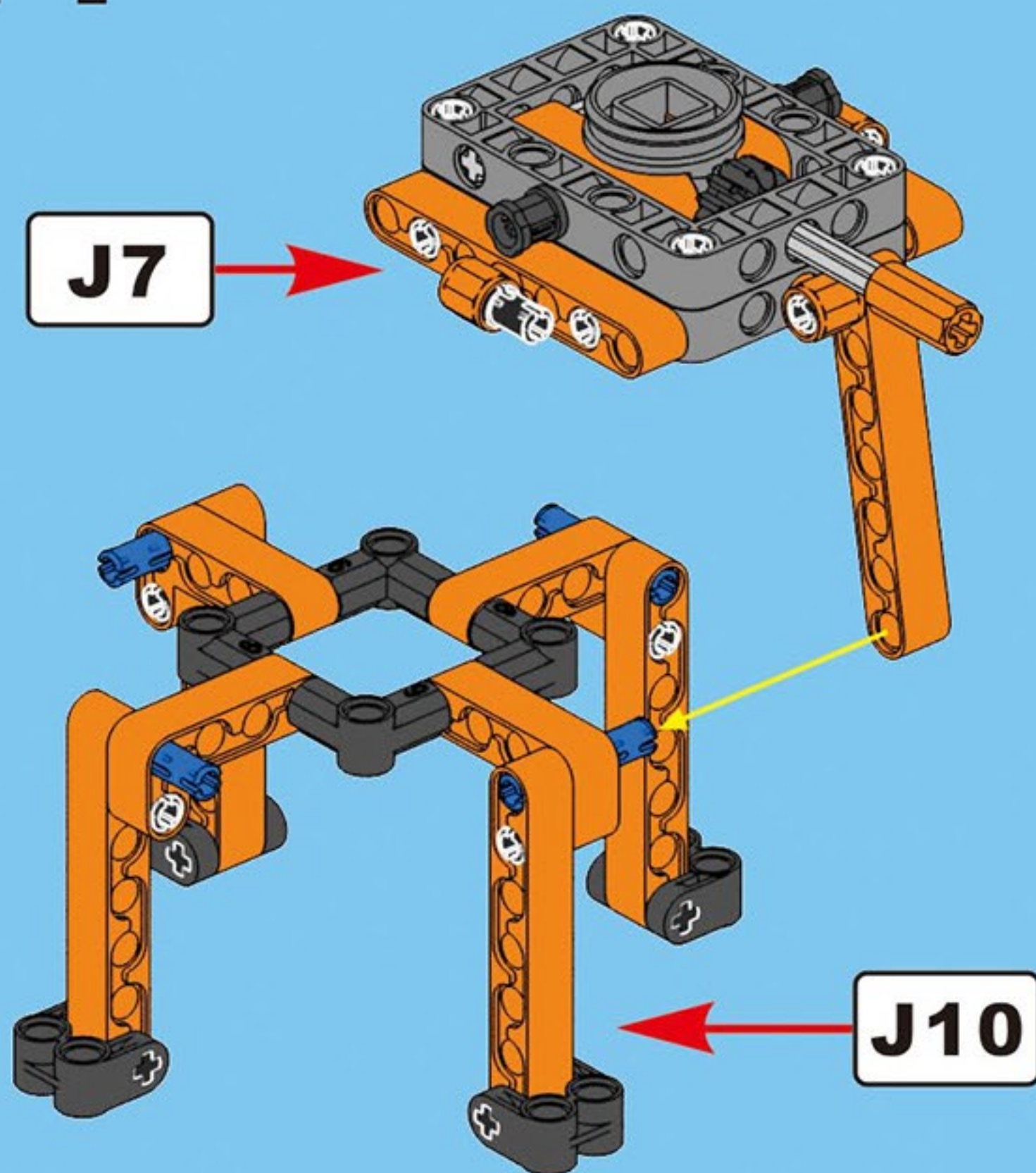
J9



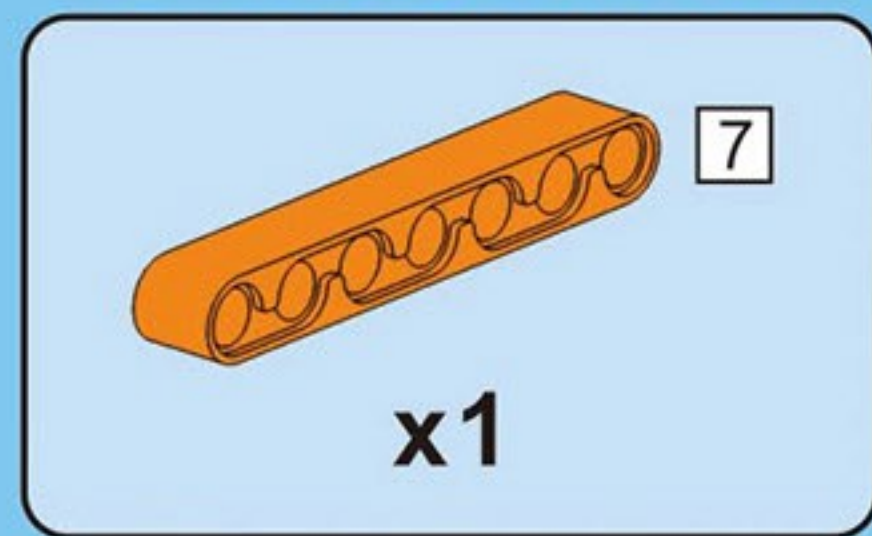
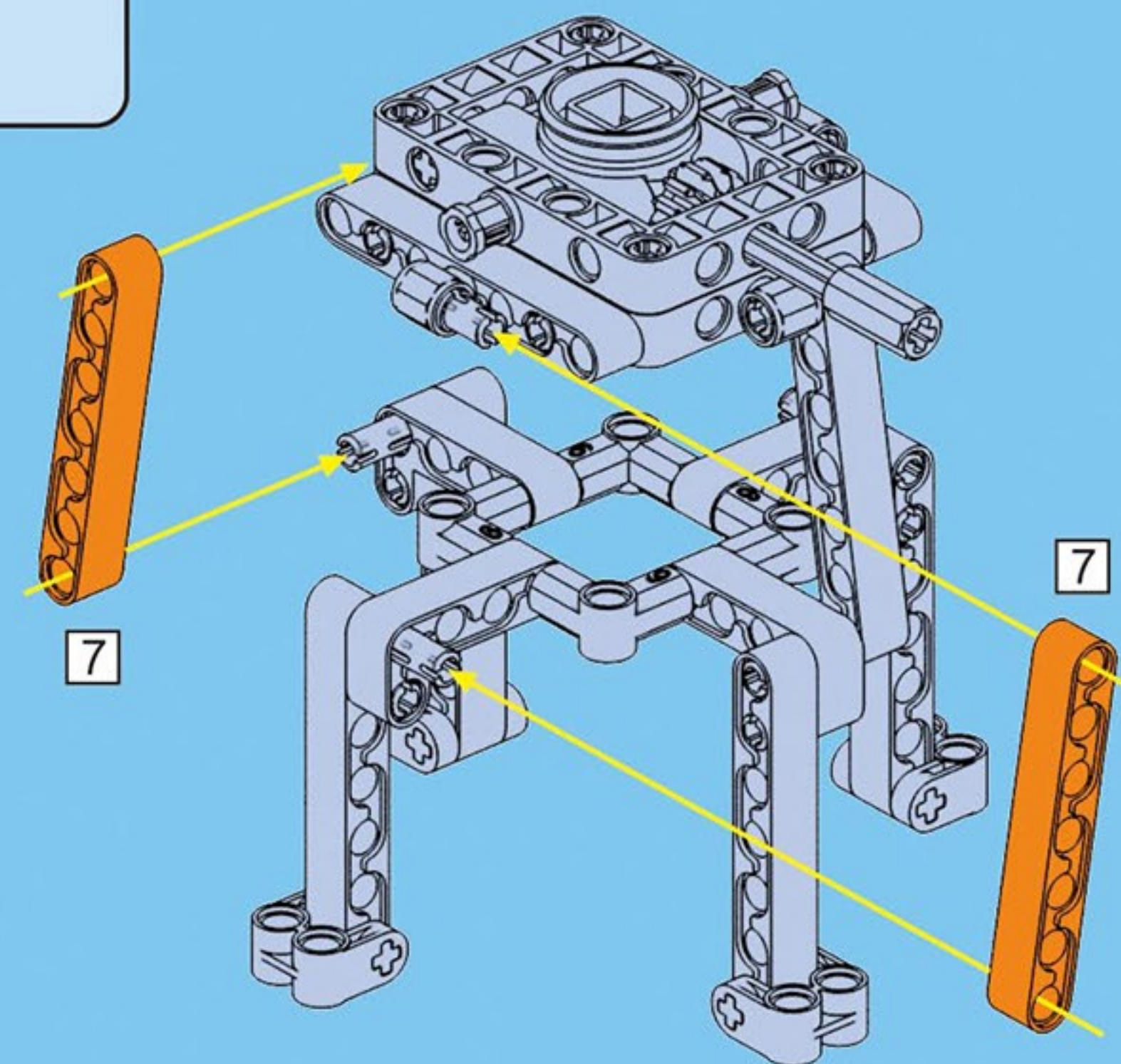
J10



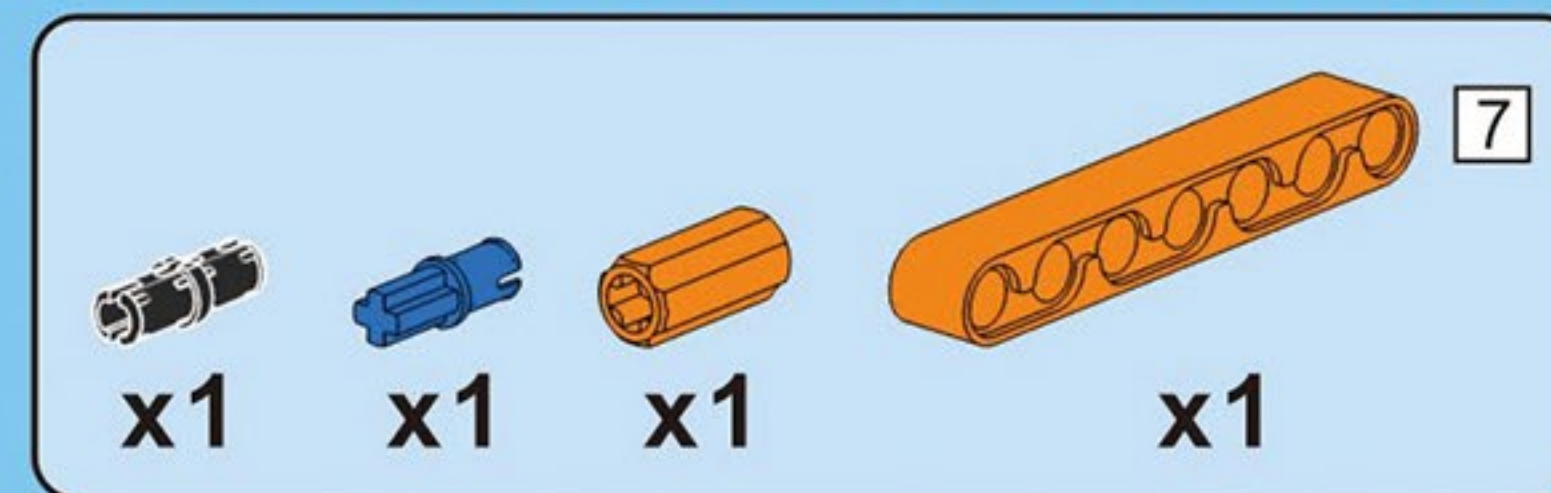
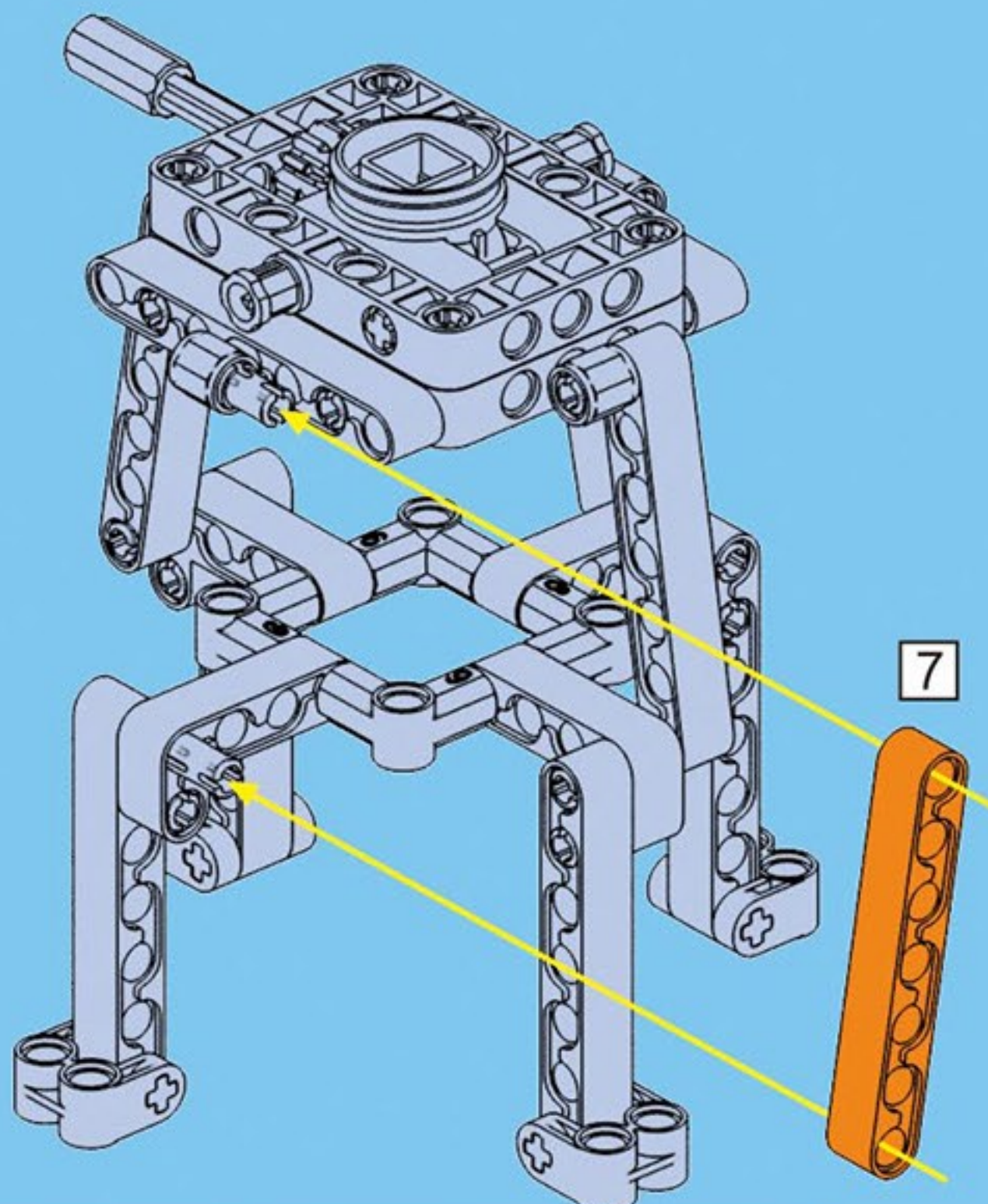
J11



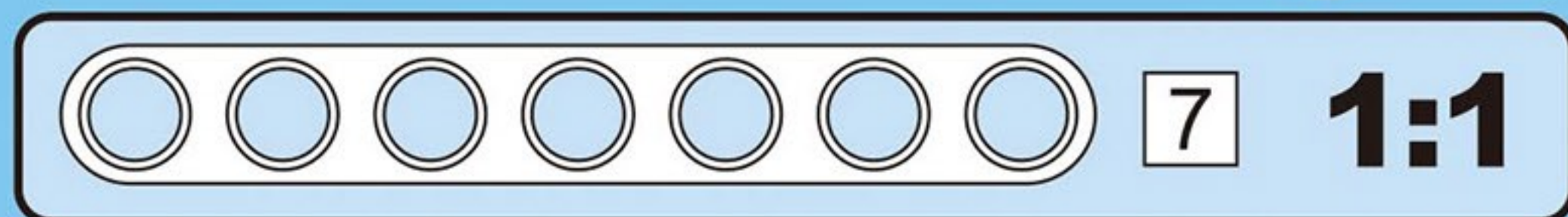
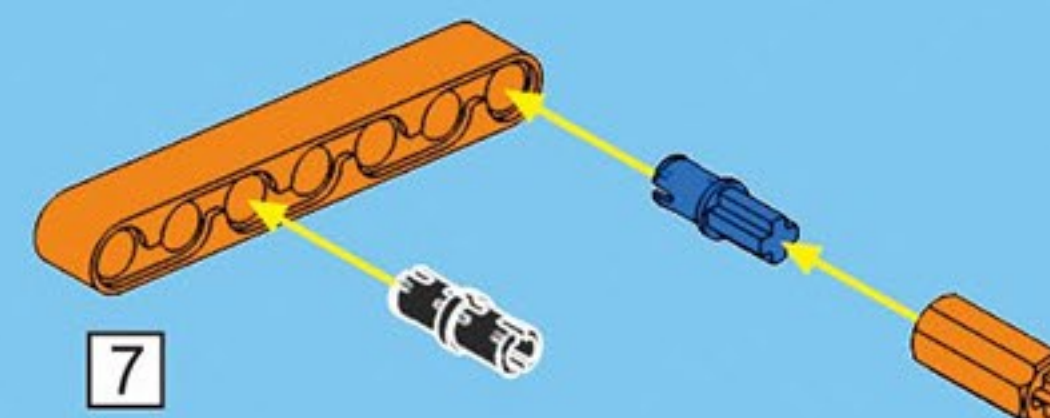
J12

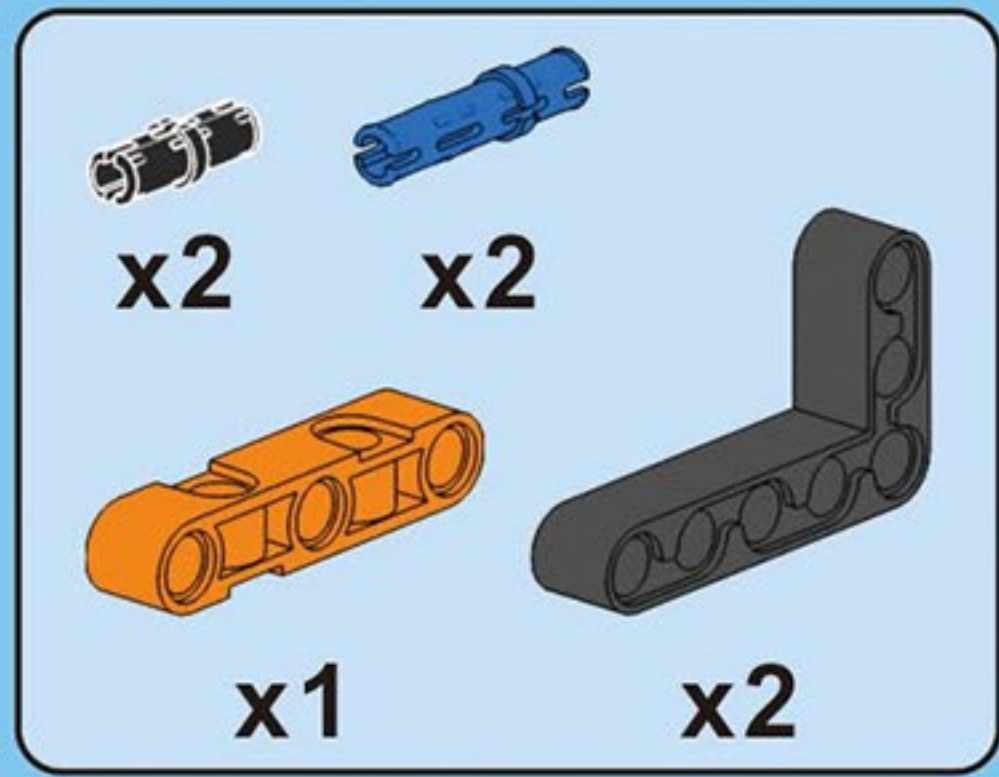


J13

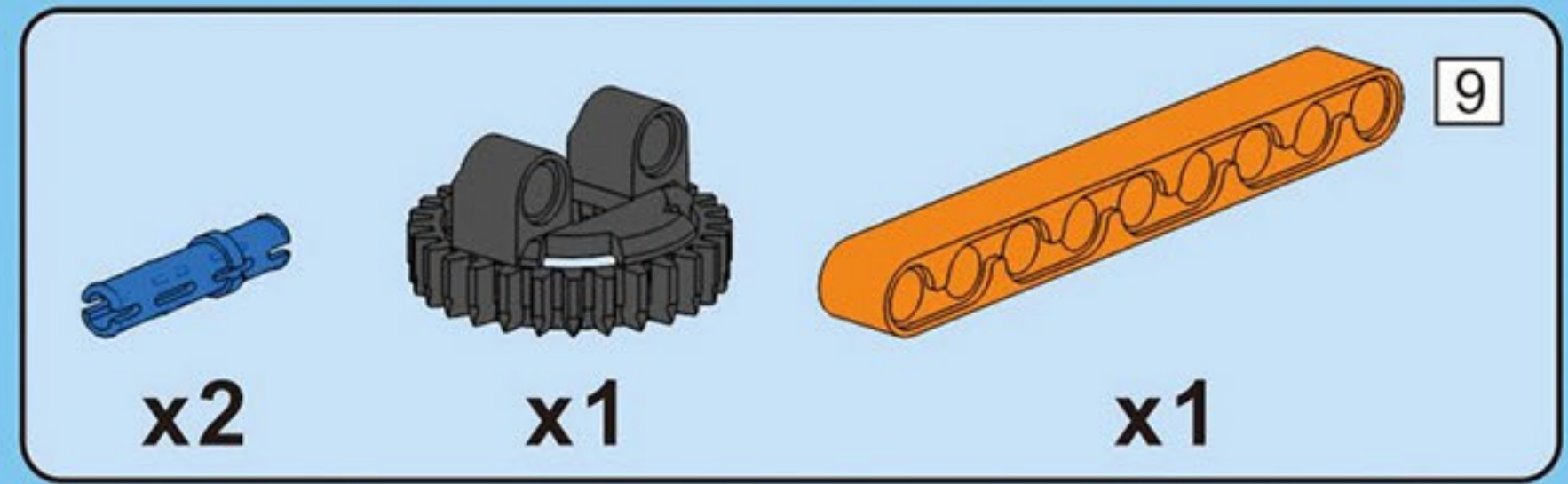
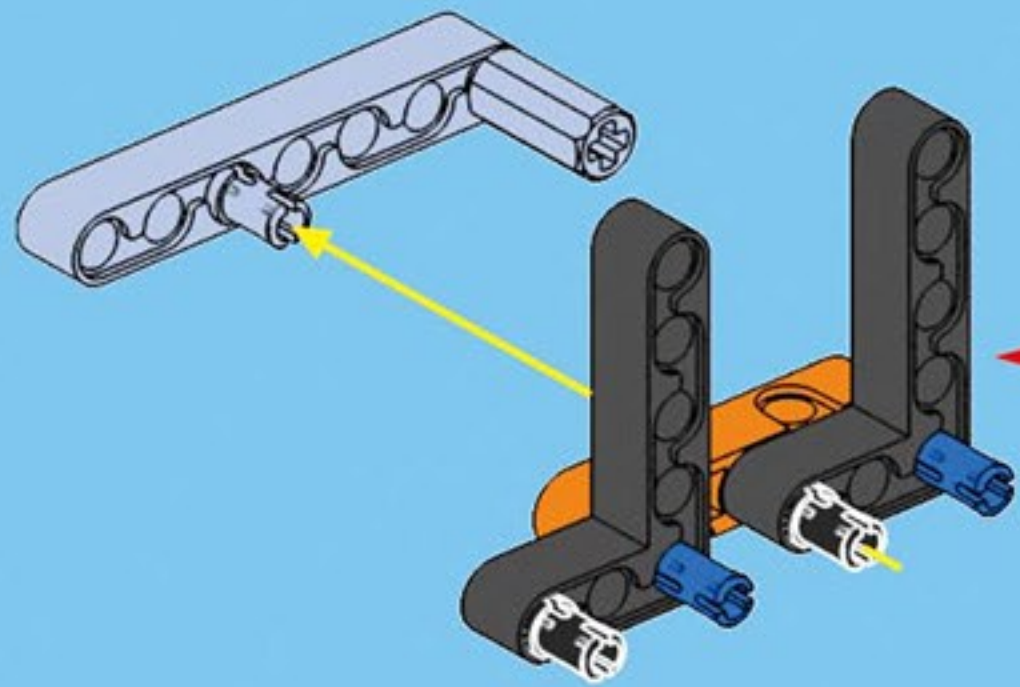
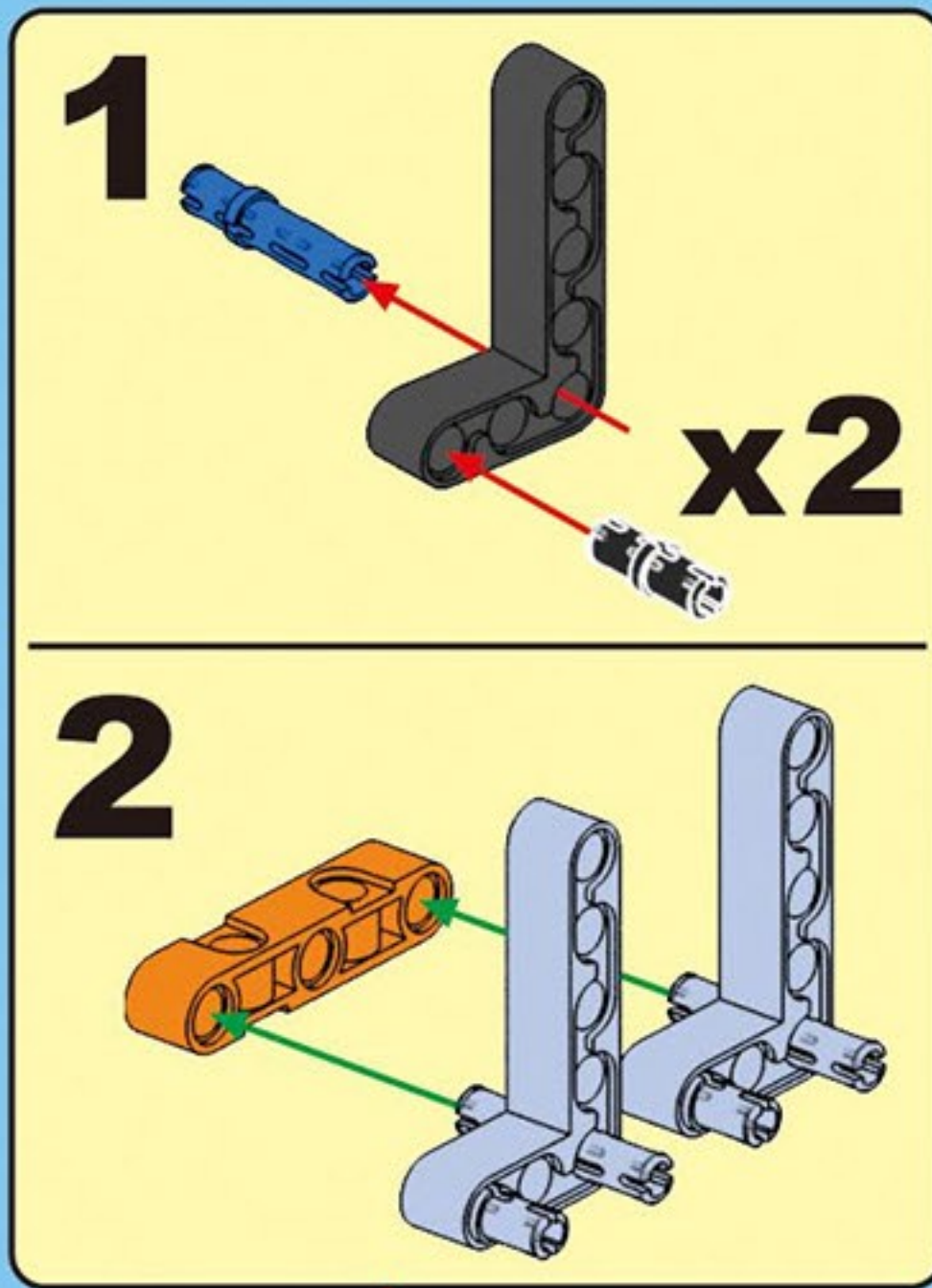


J14

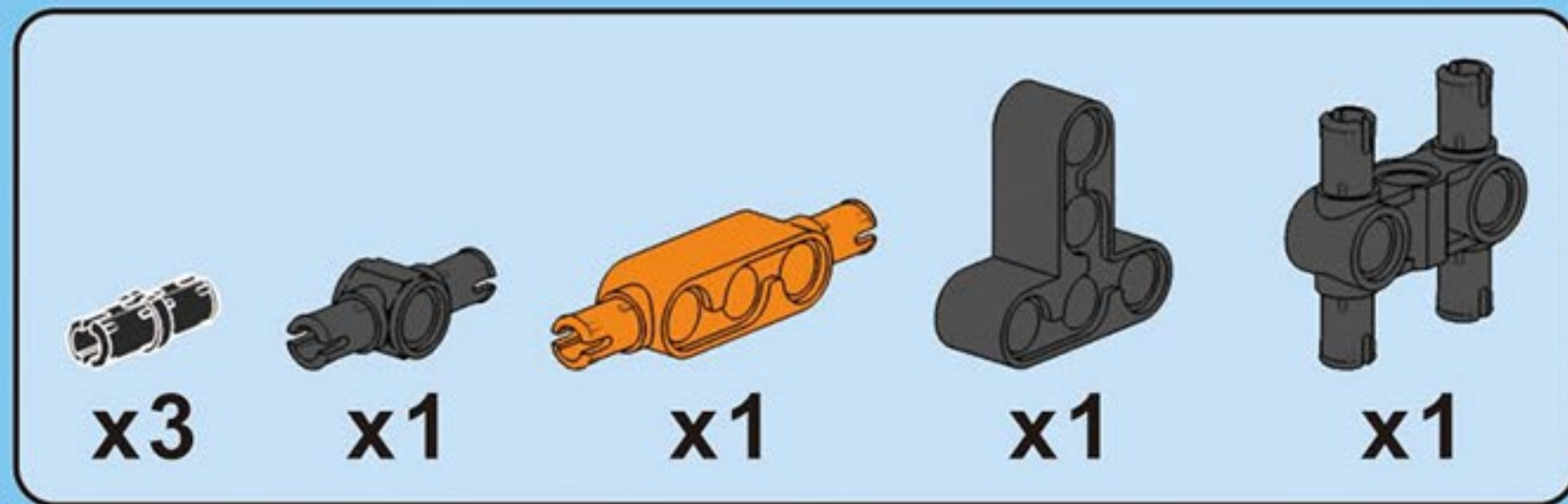
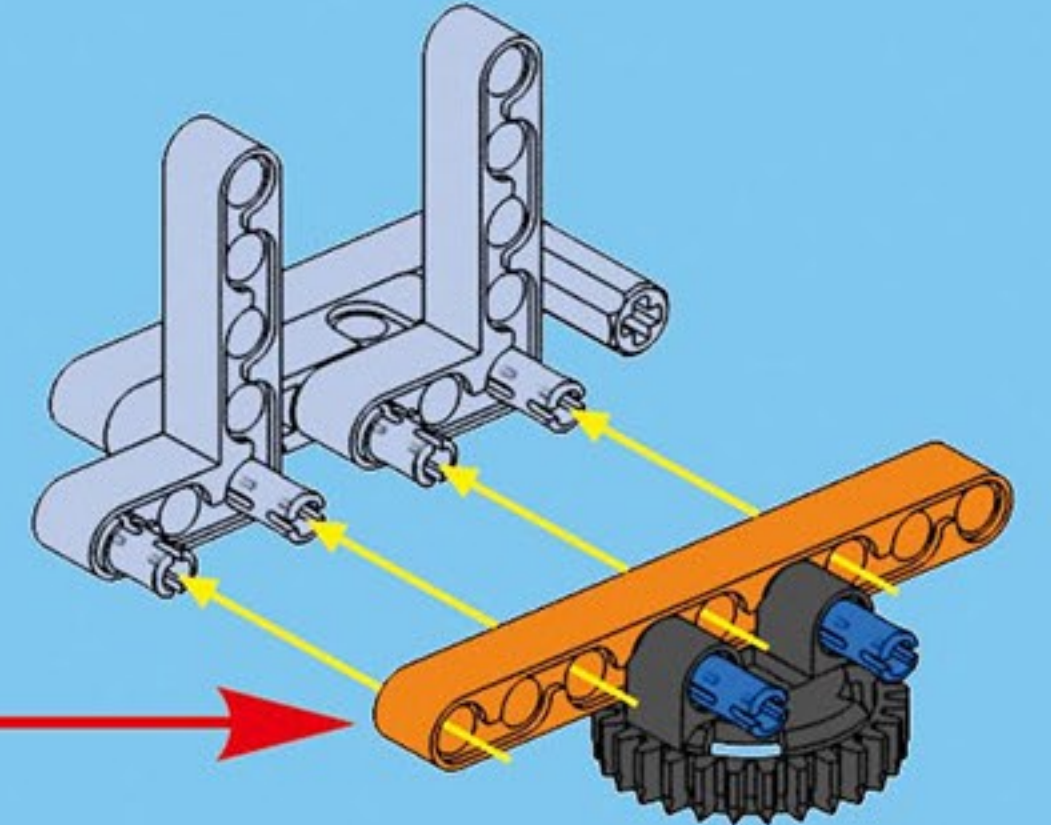
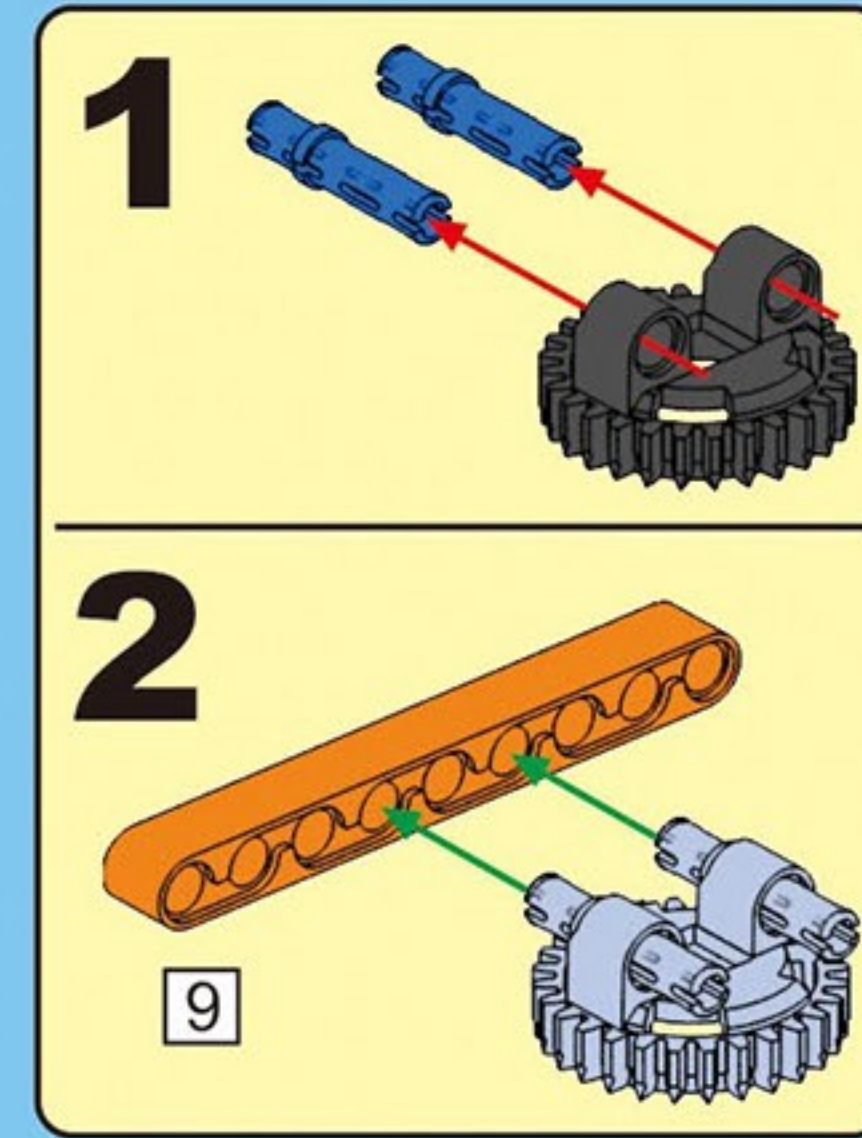




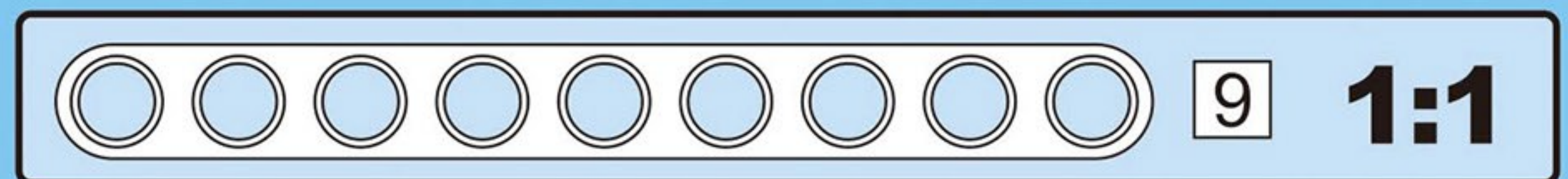
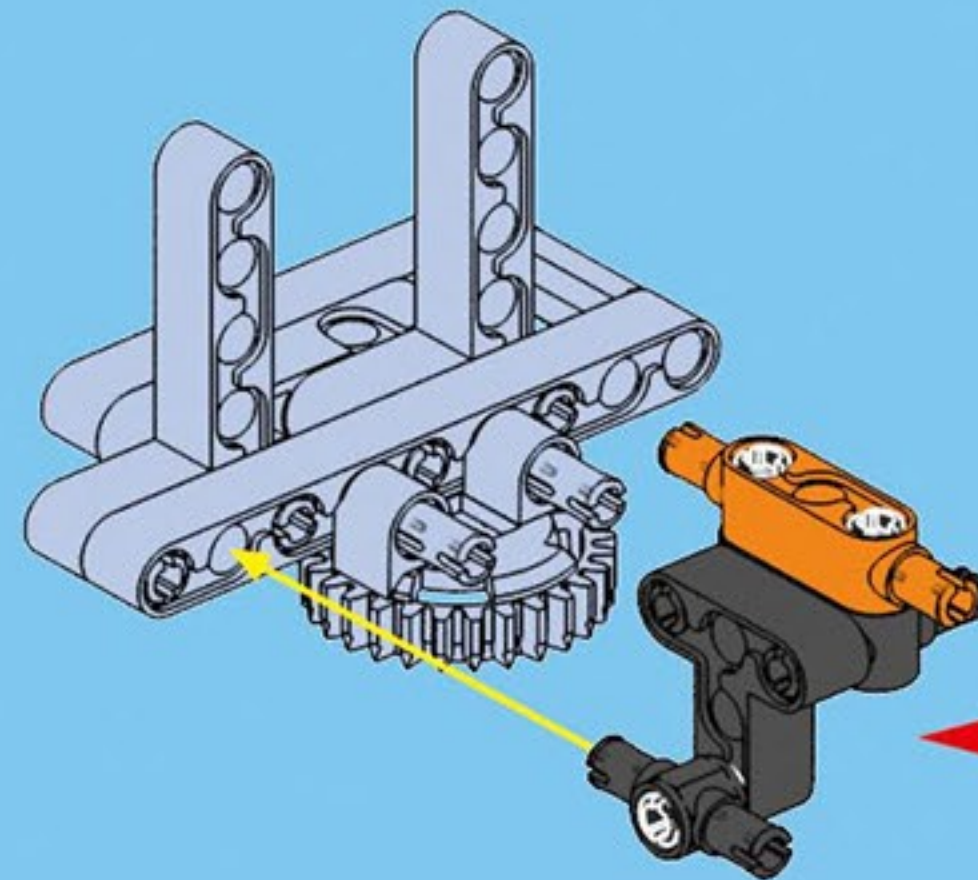
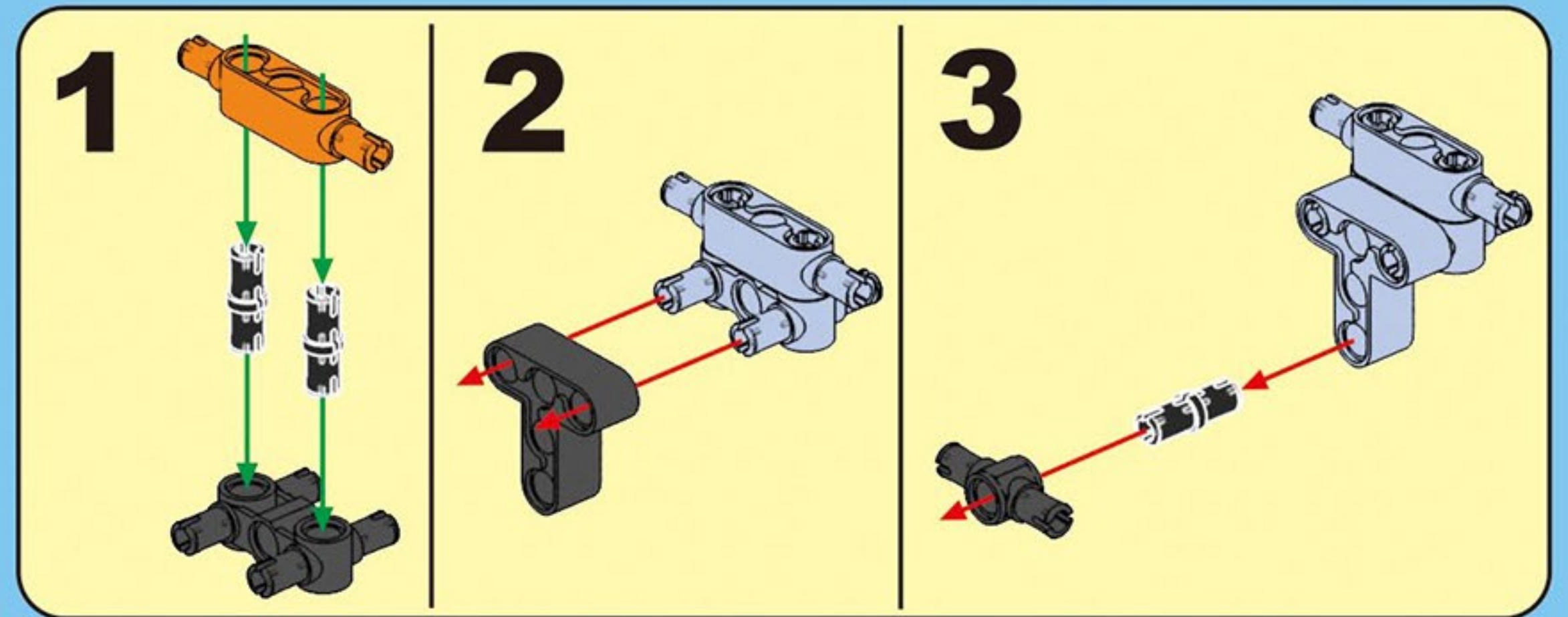
J15

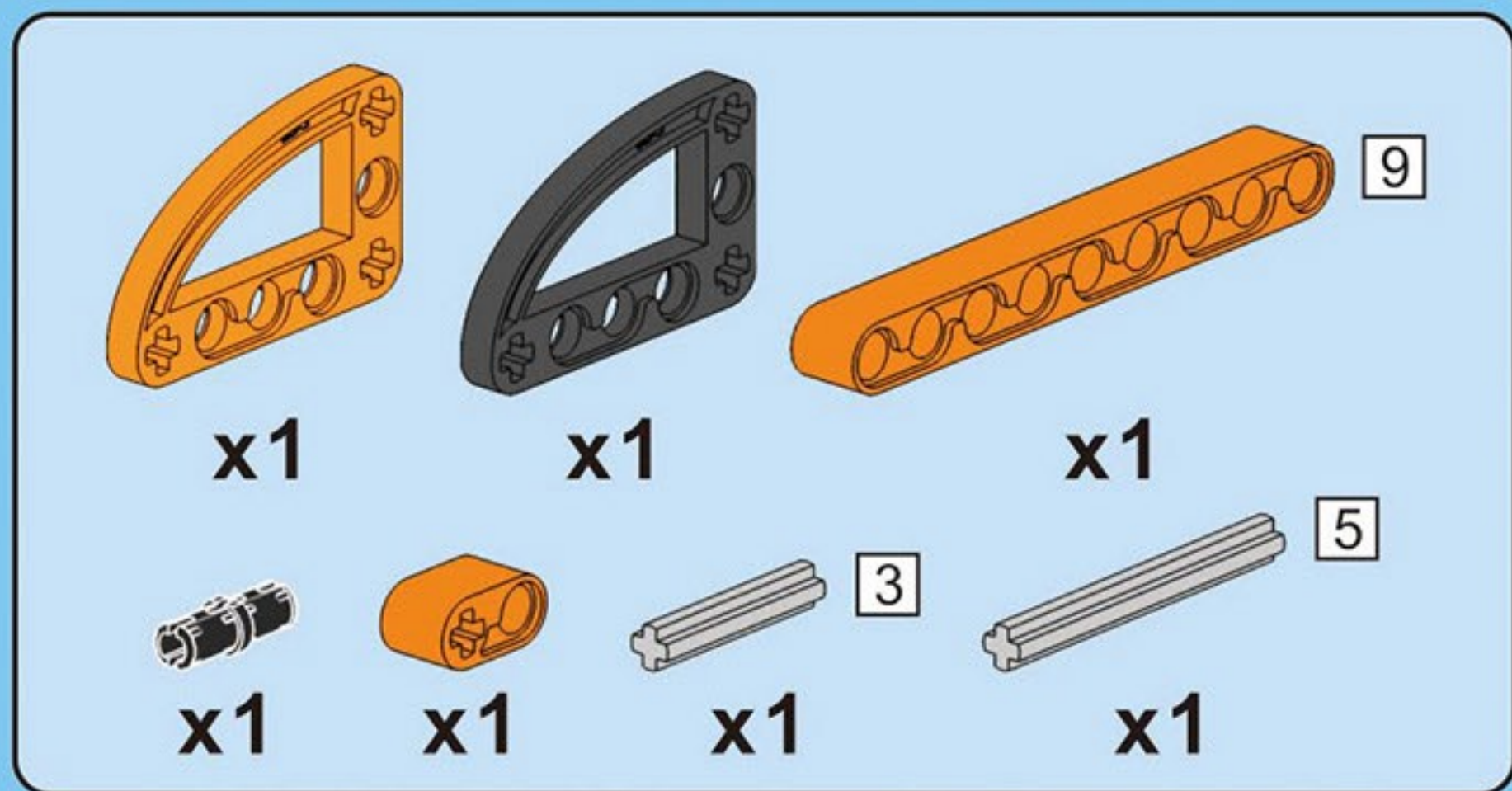


J16

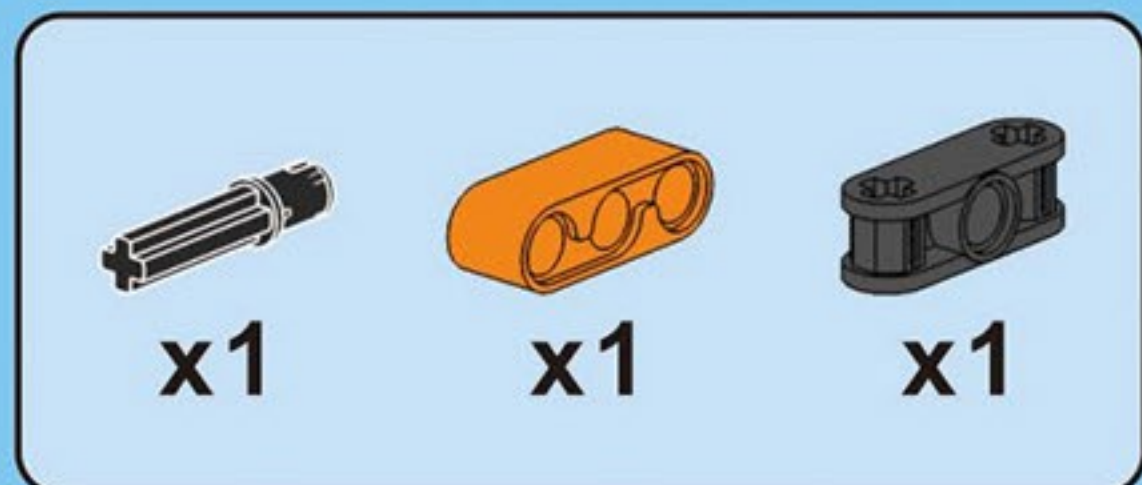
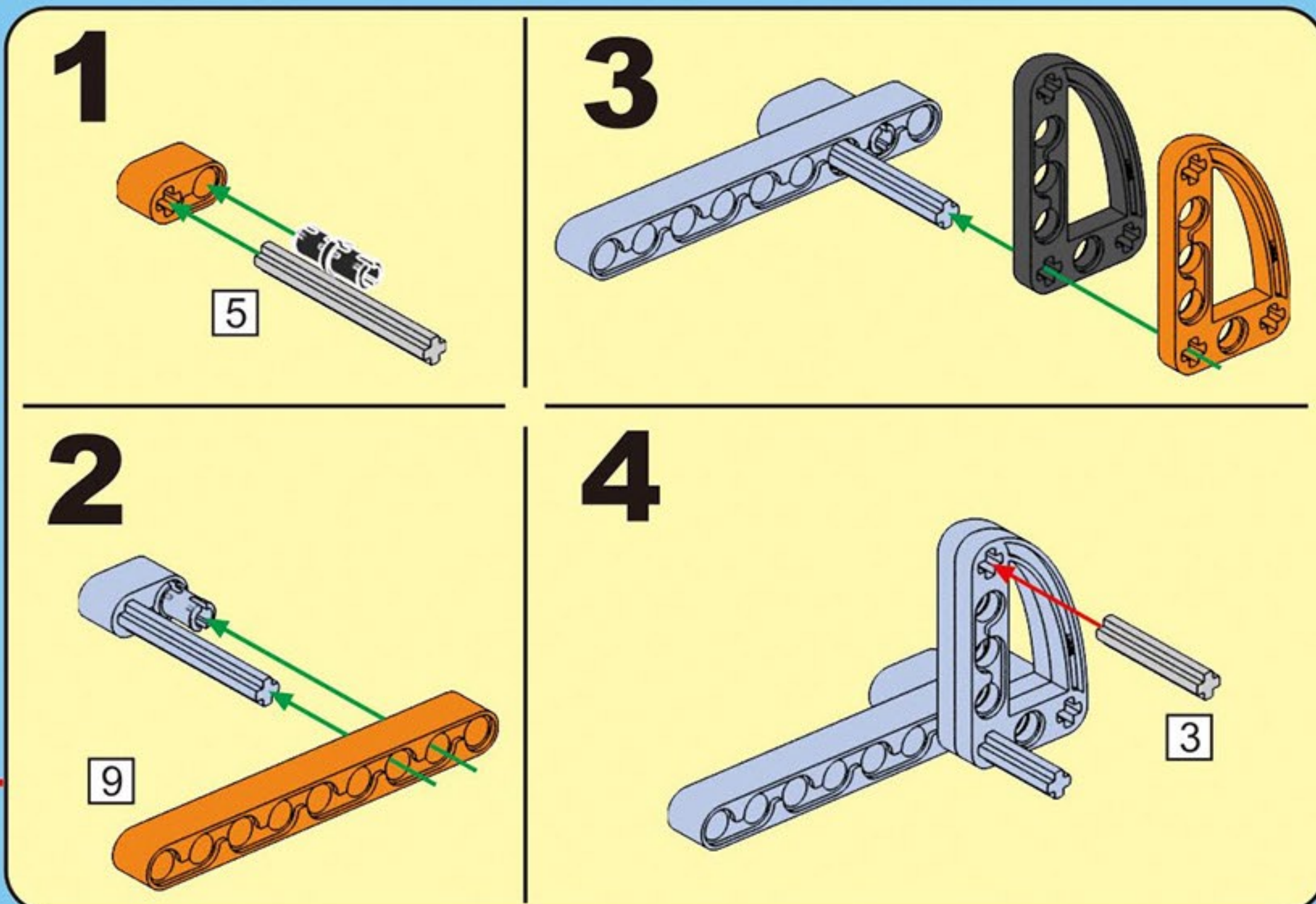
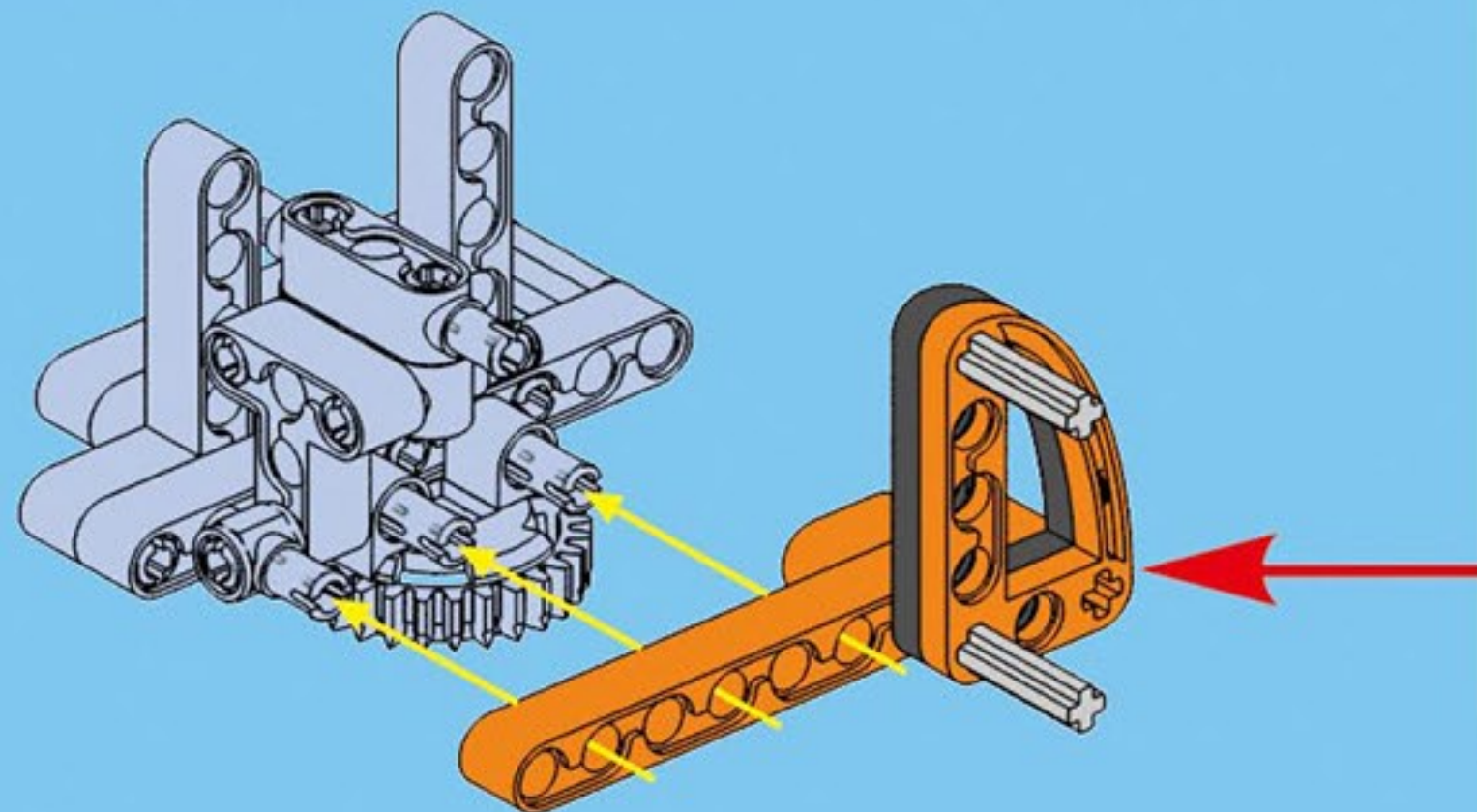


J17

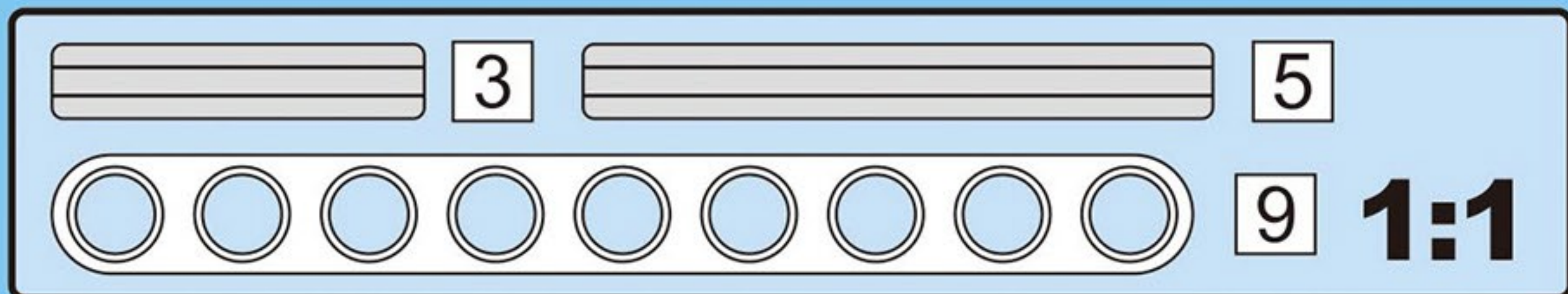
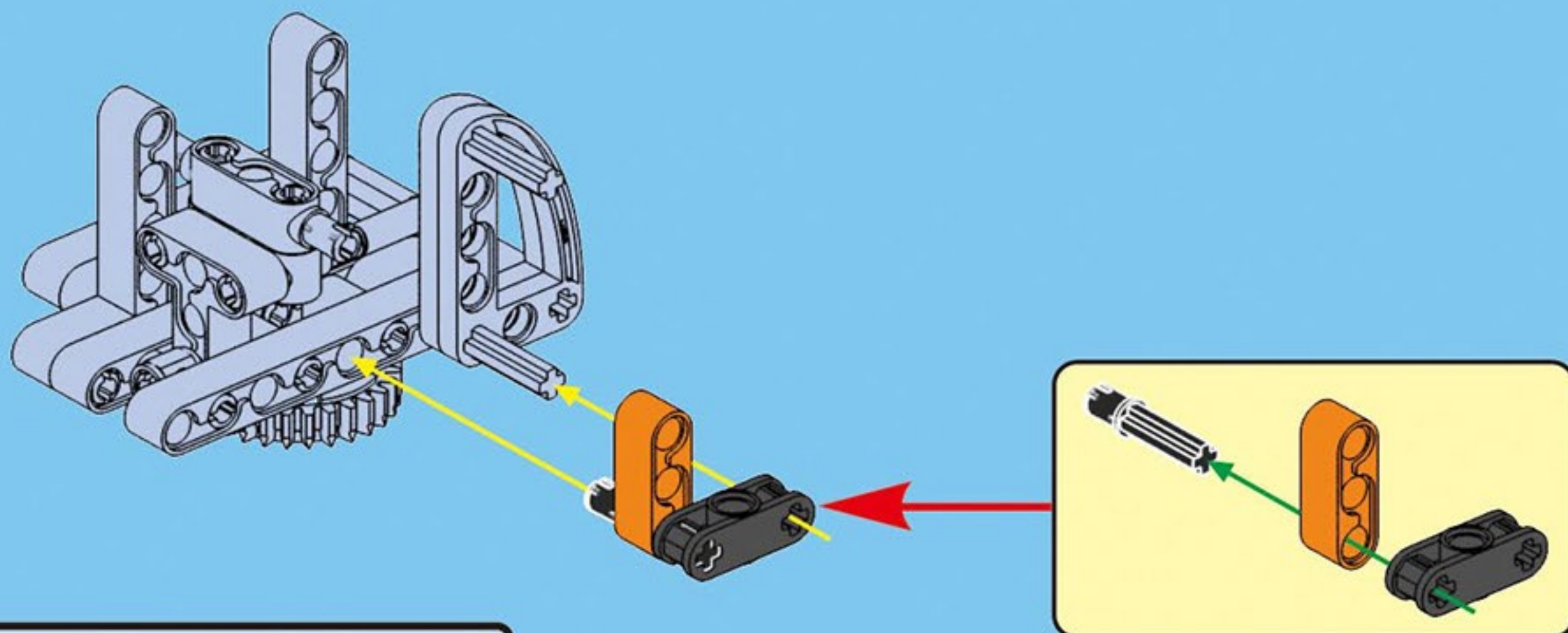


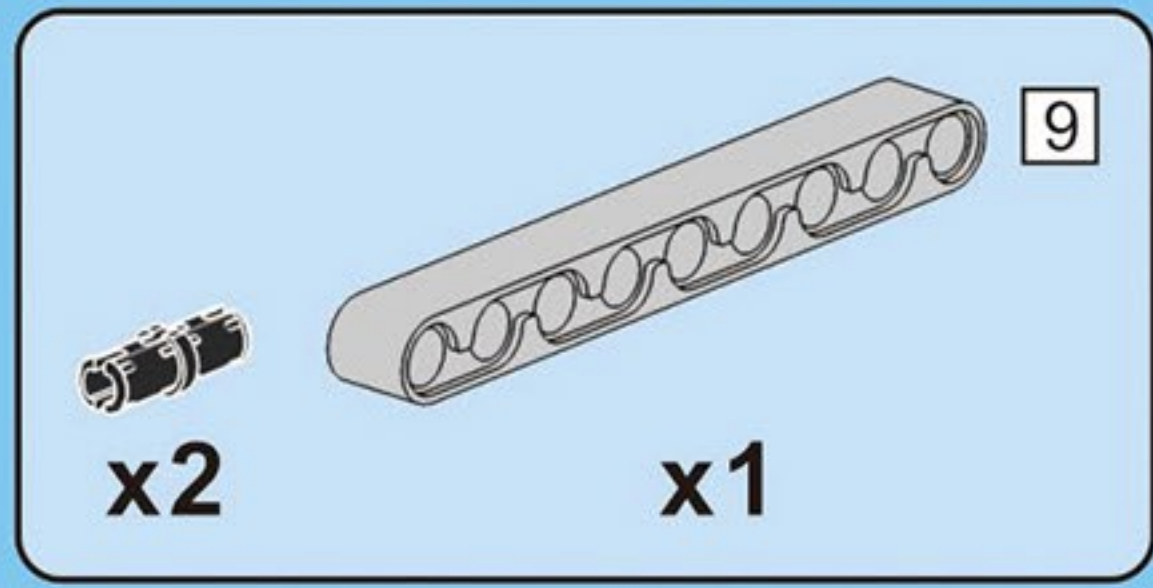


J18

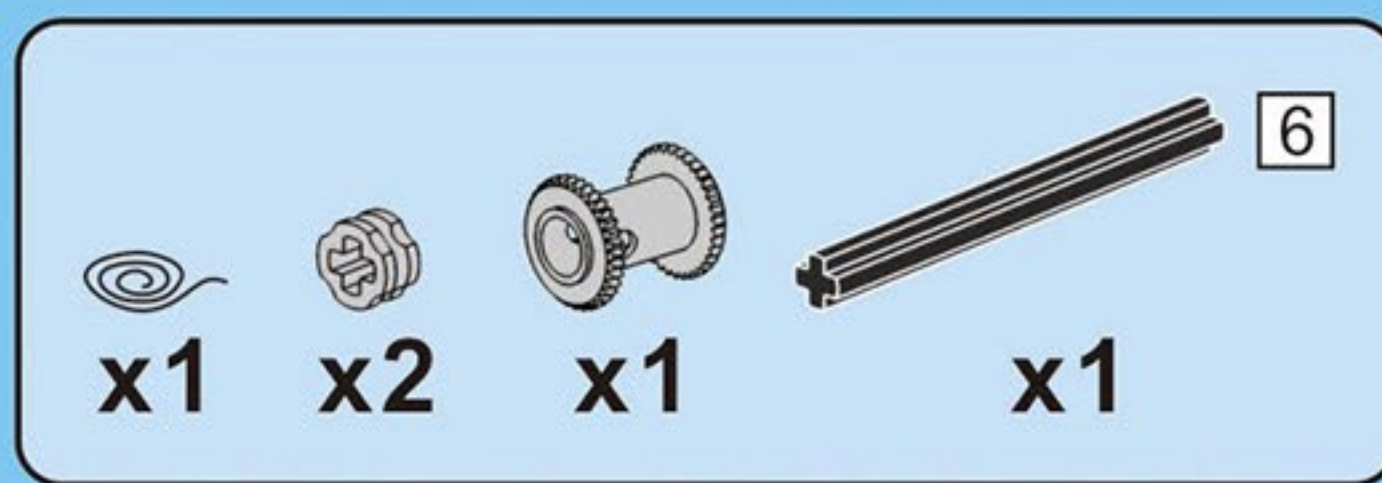
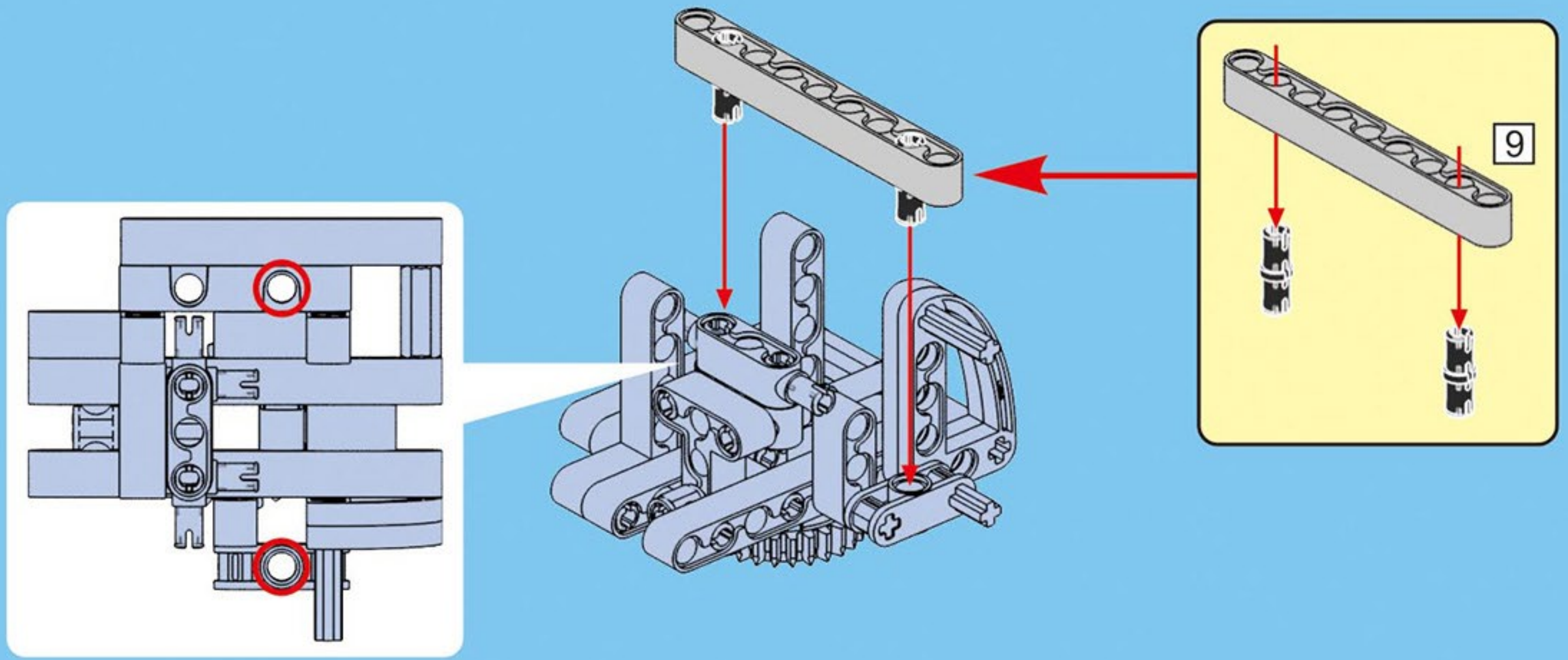


J19

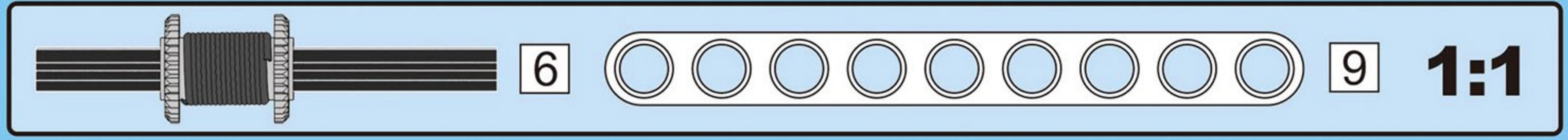
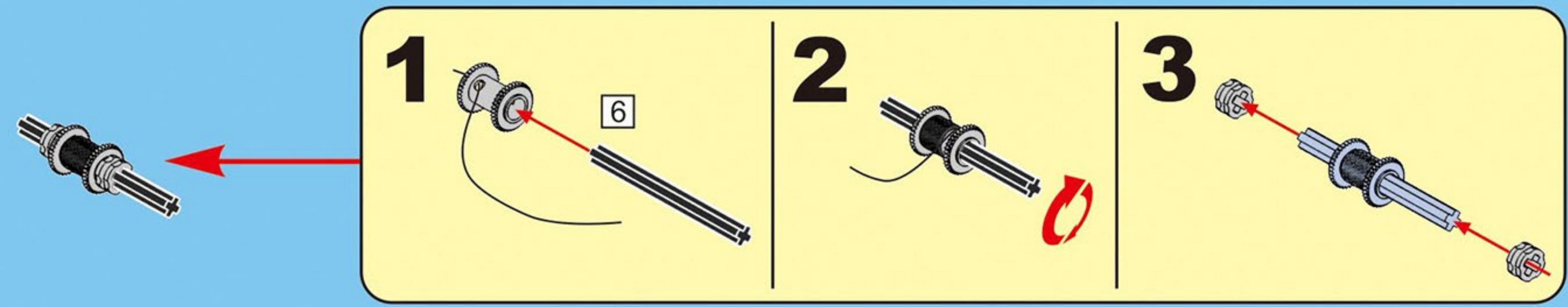
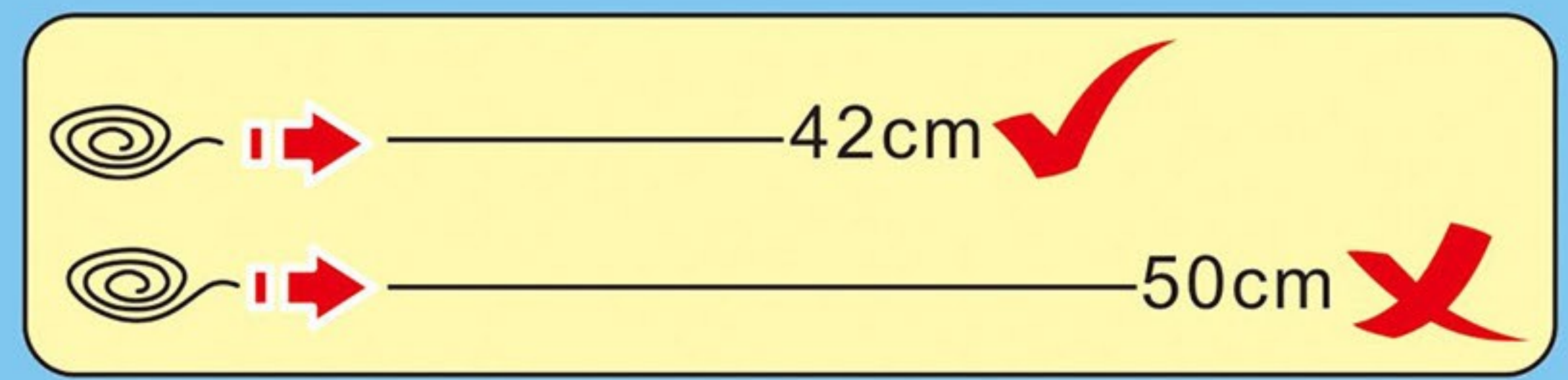


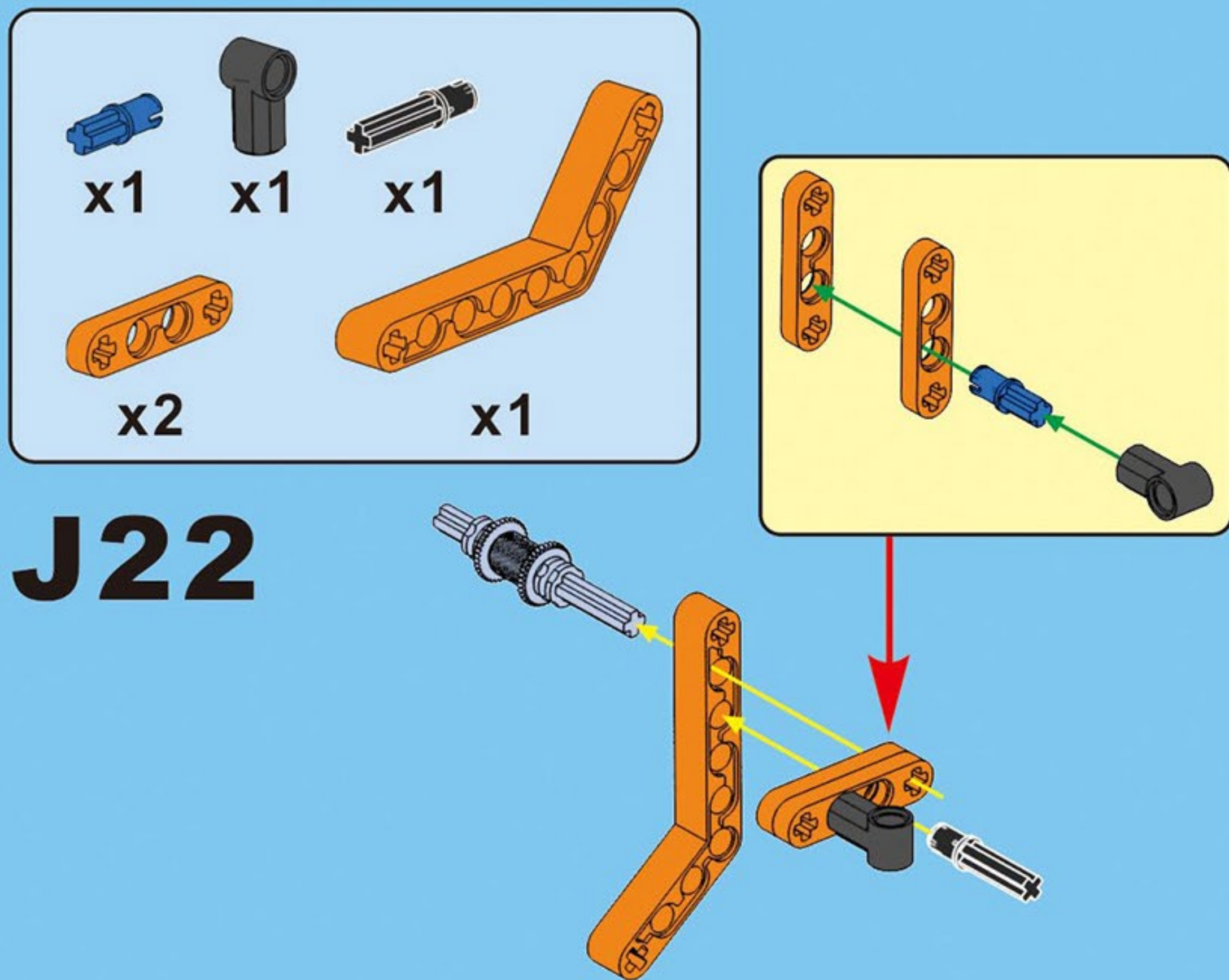


J20



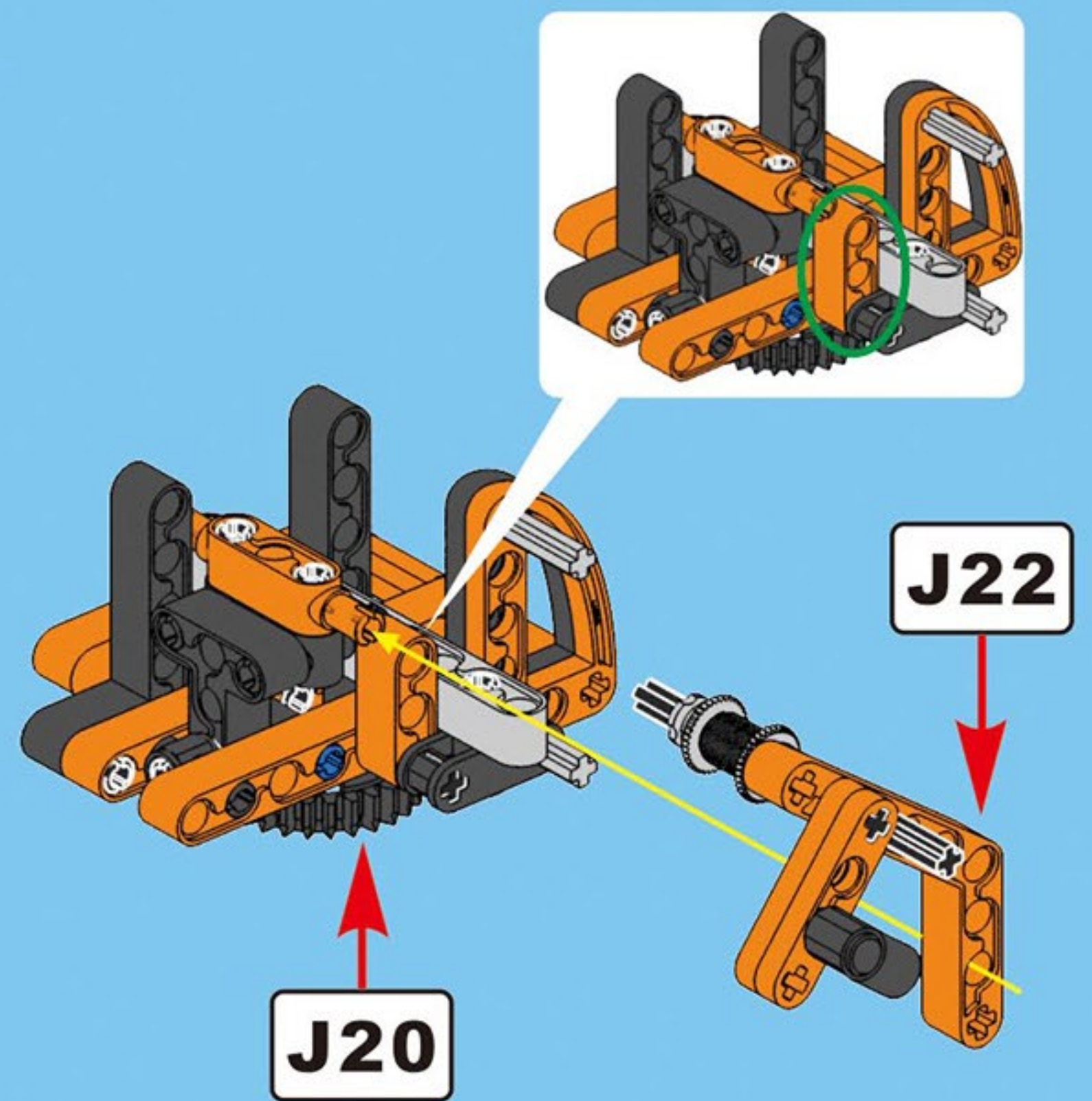
J21





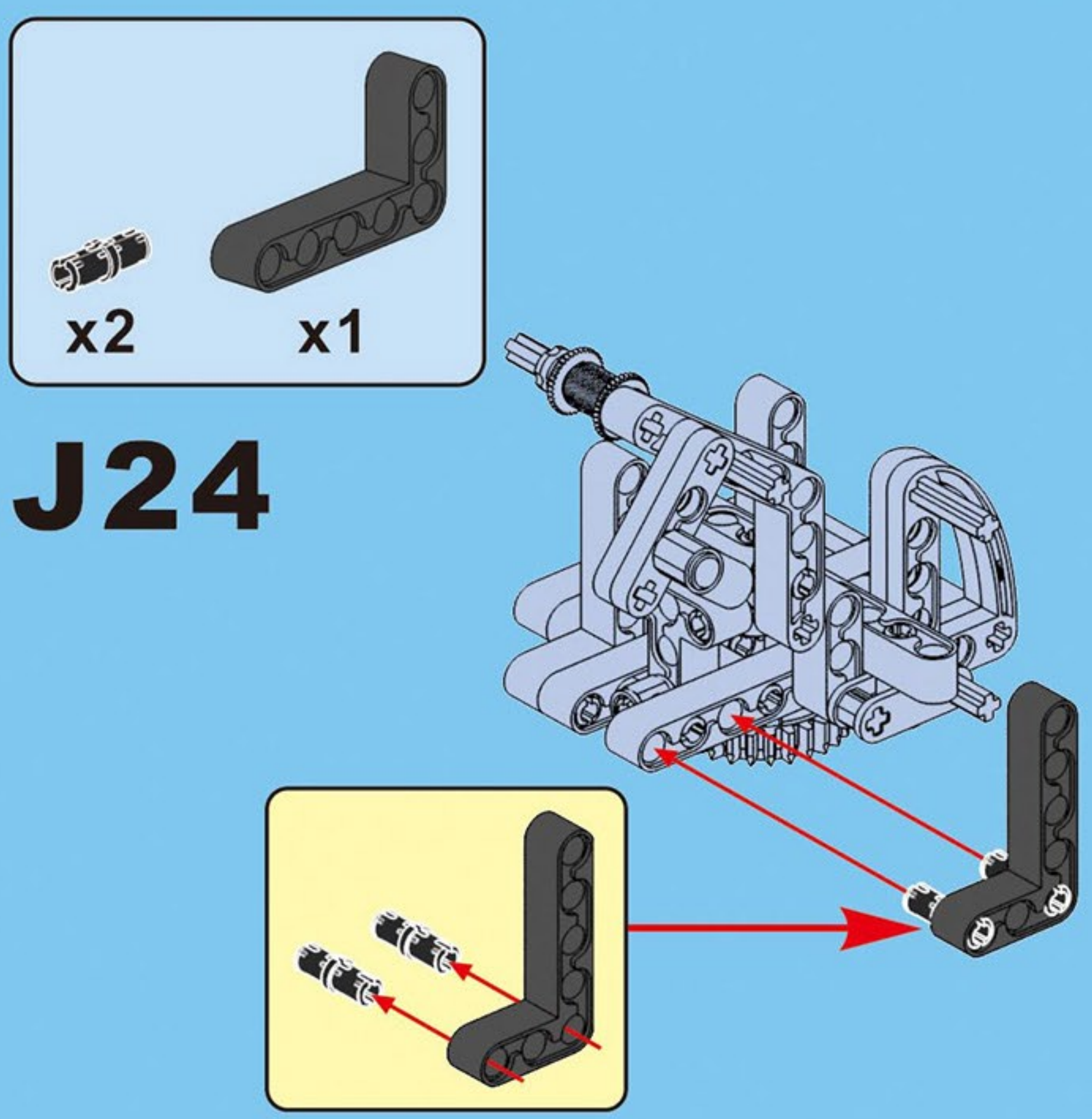
J22

J23

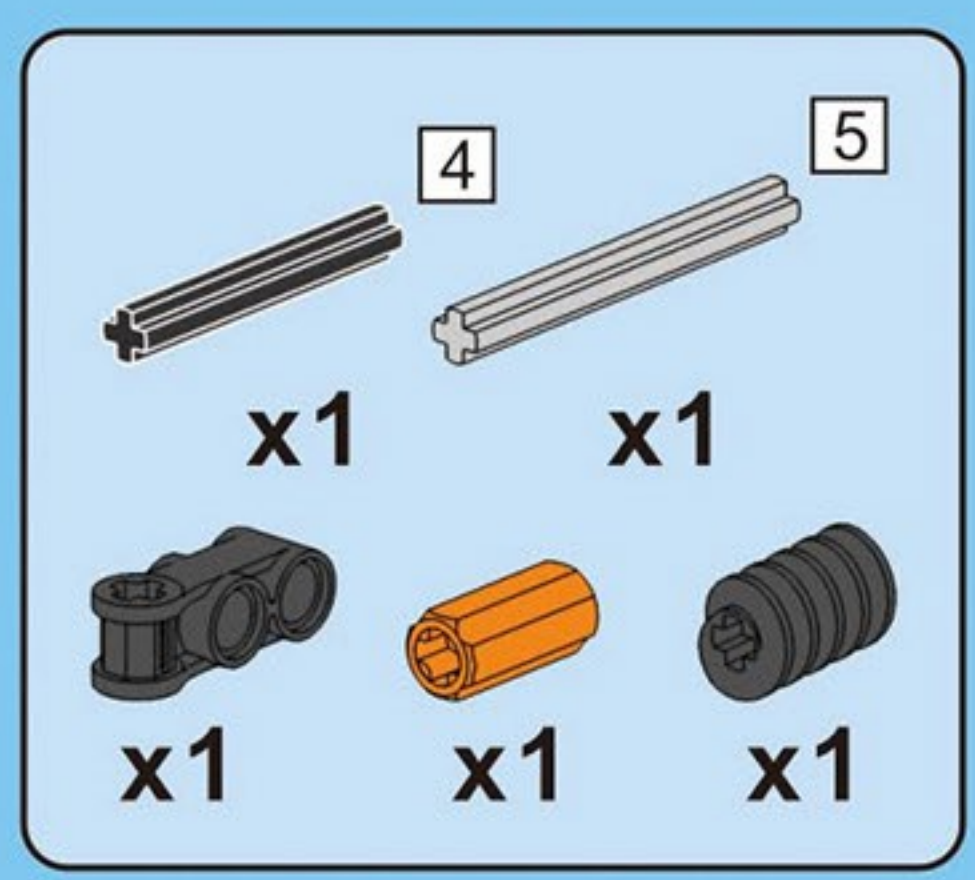


J20

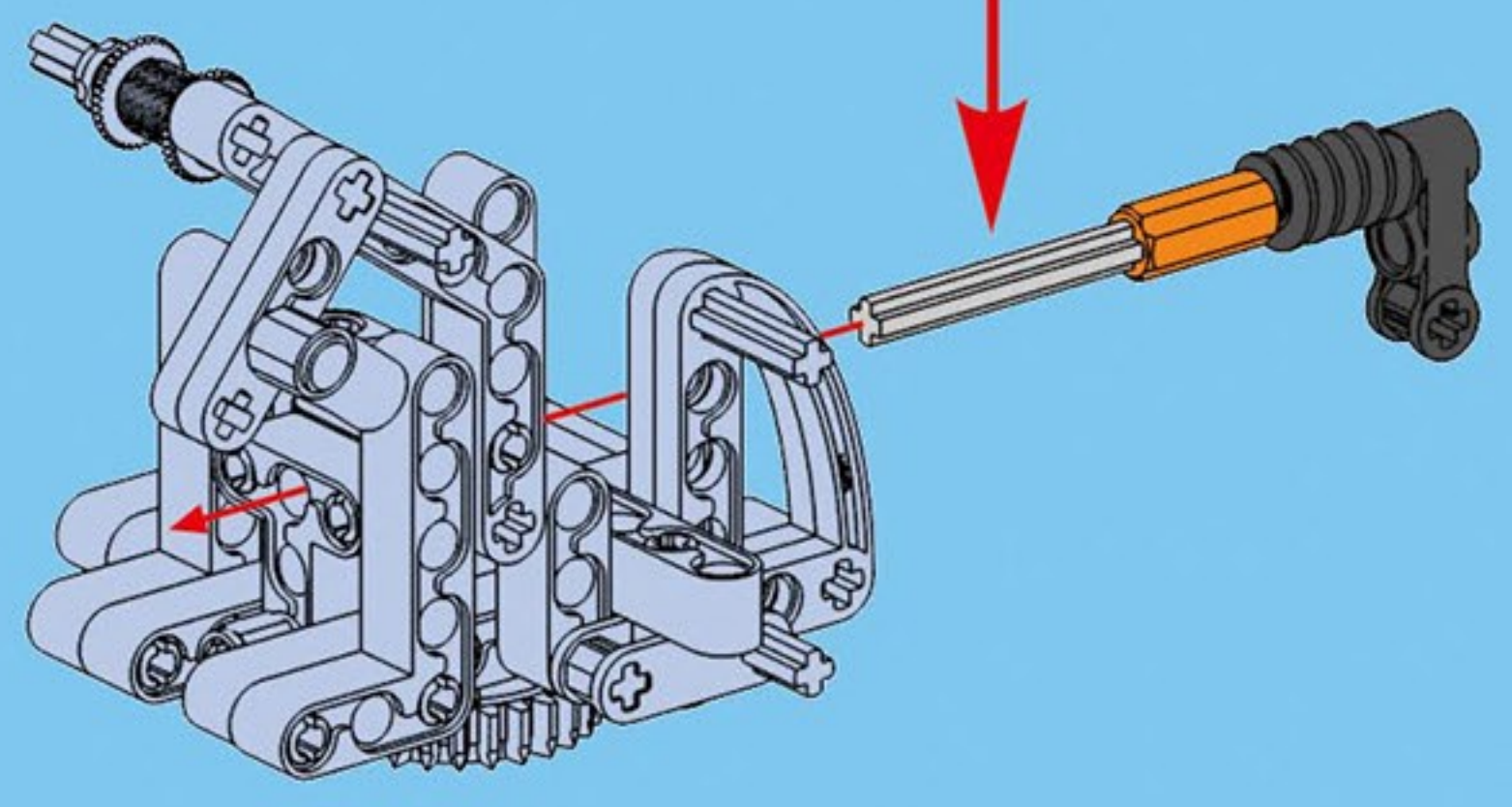
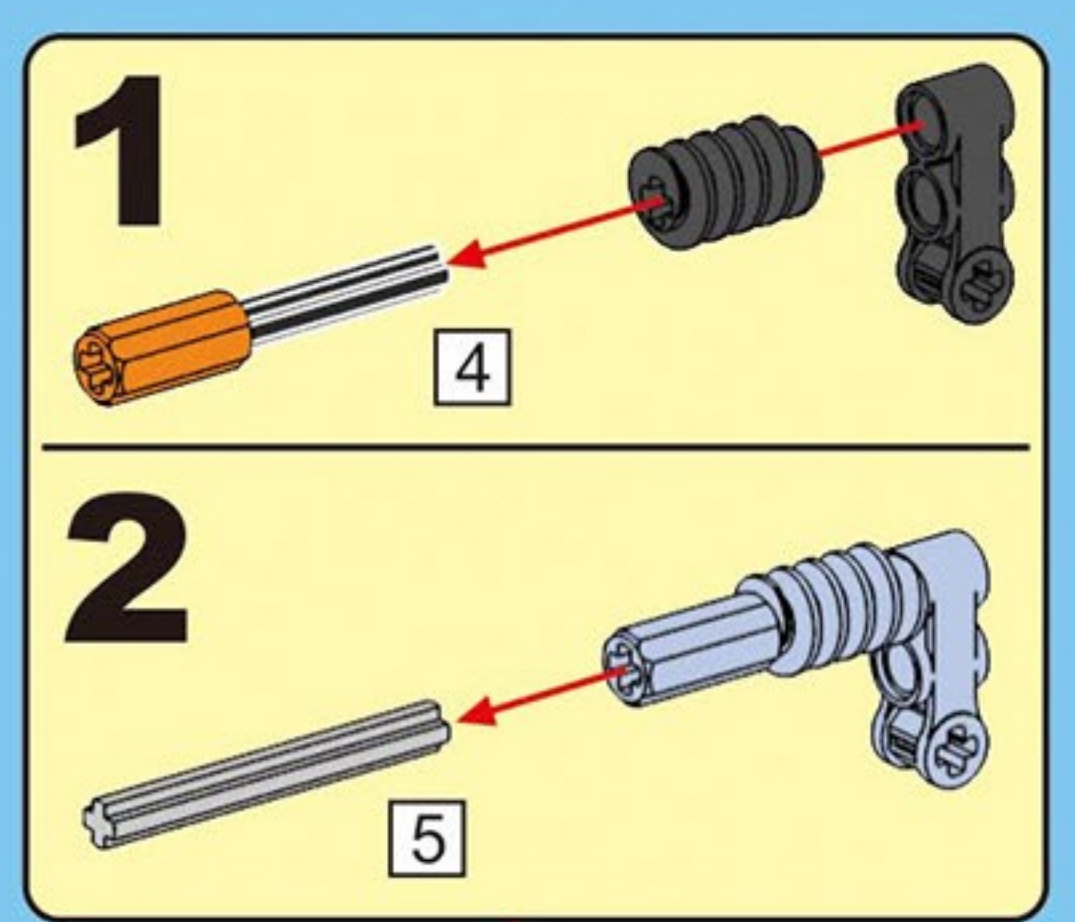
J22

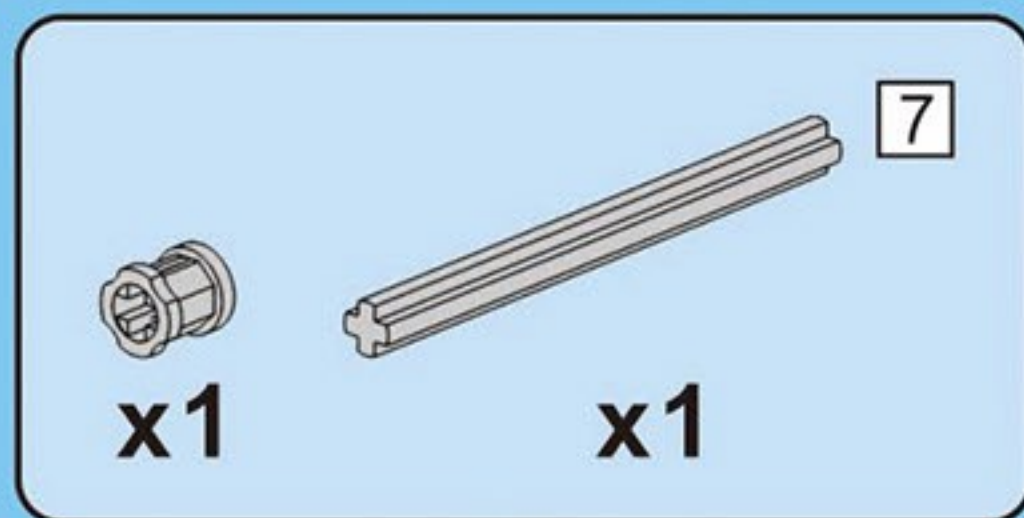


J24

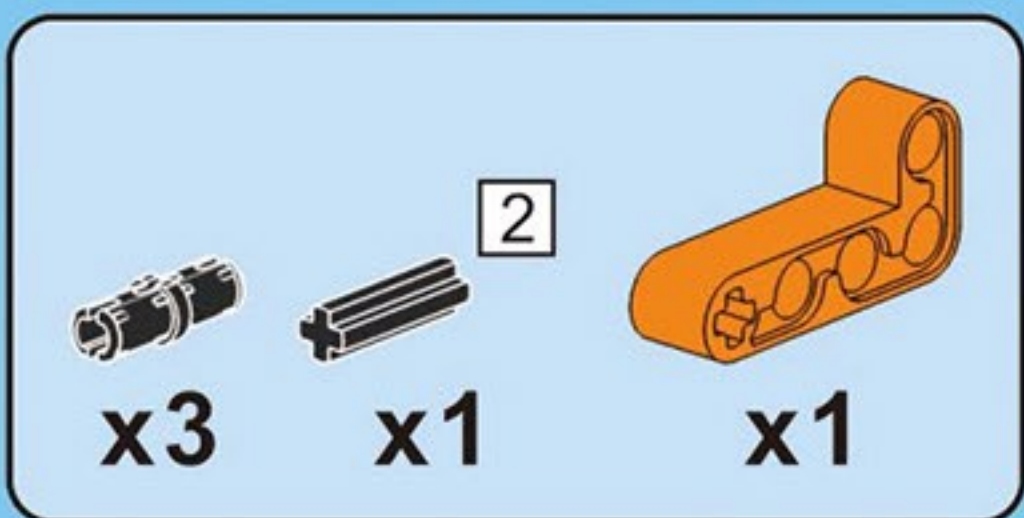
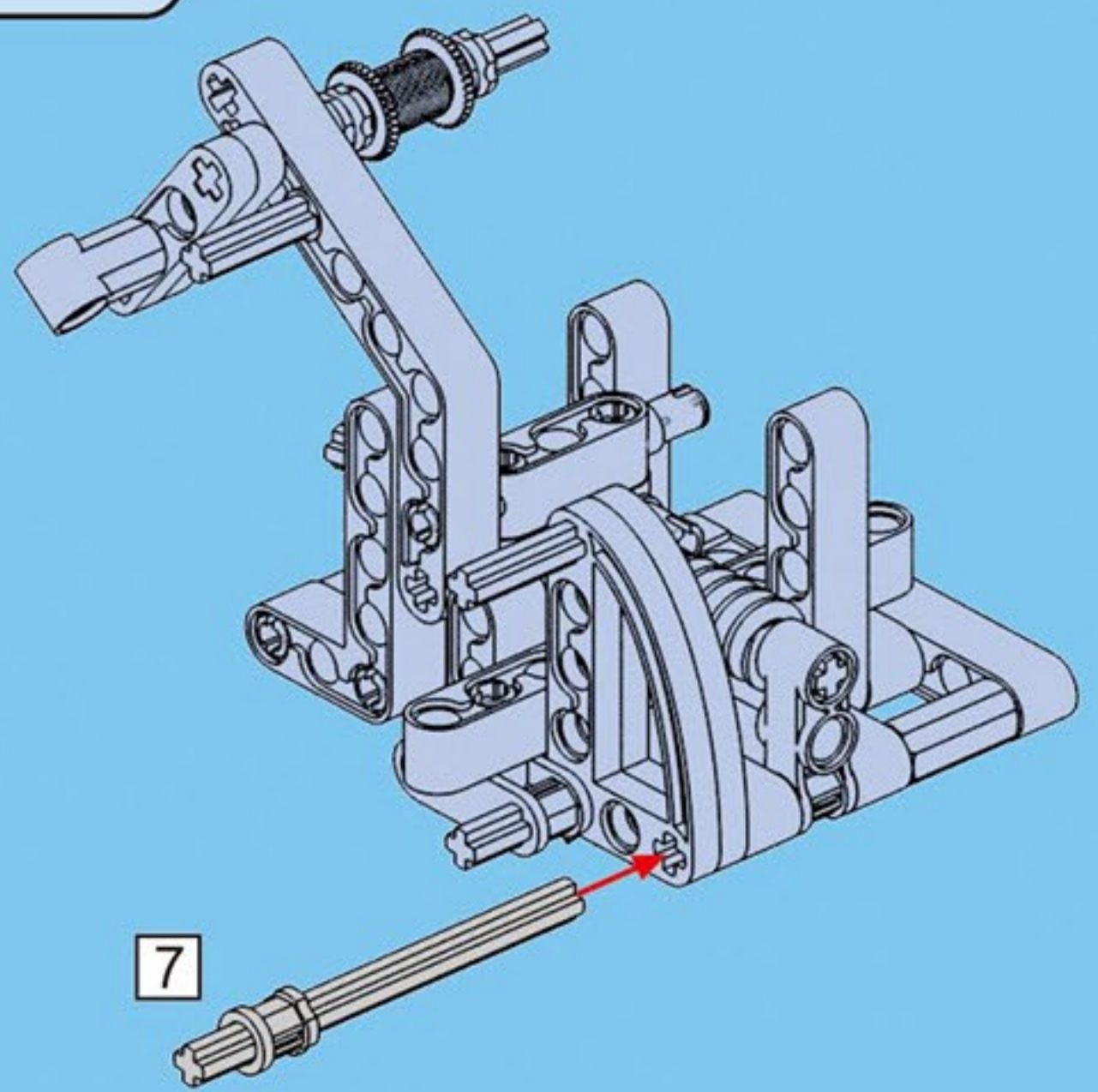


J25

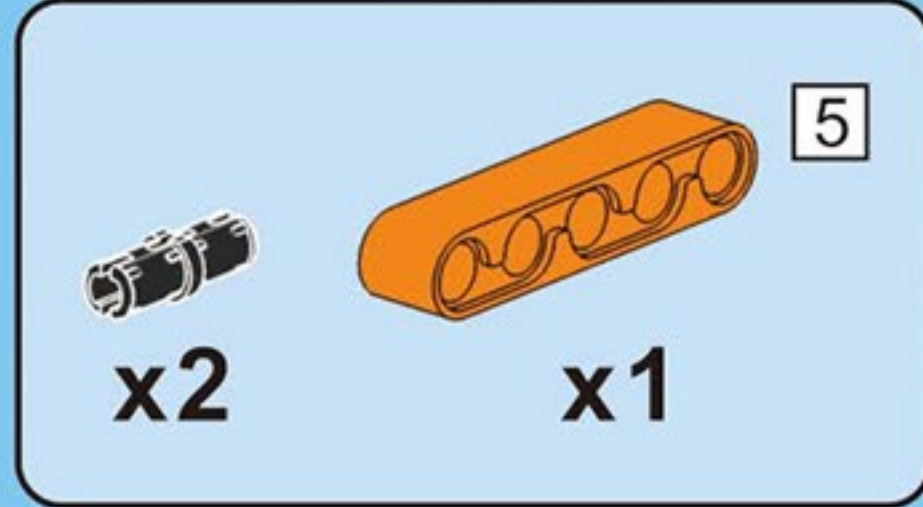
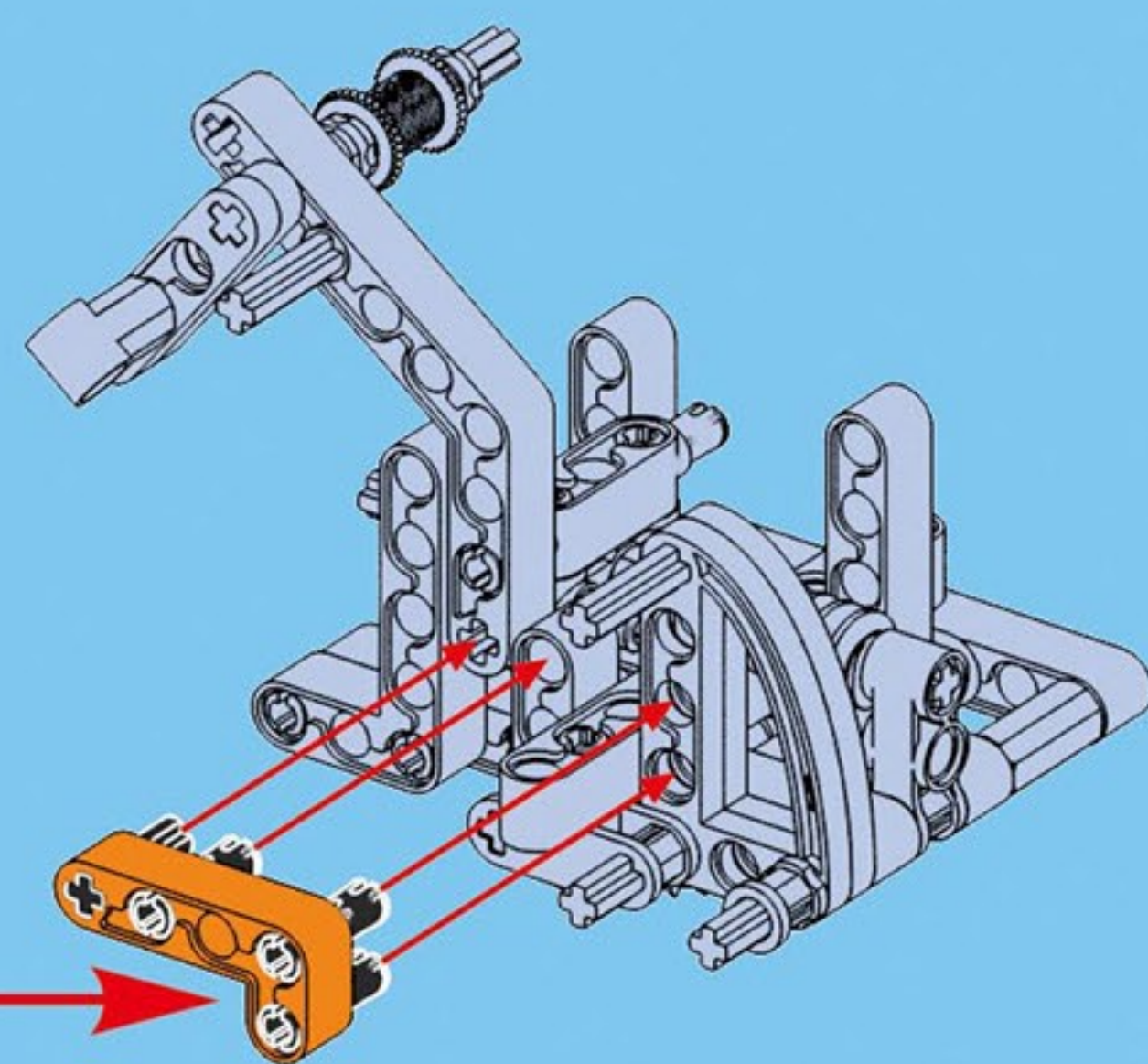
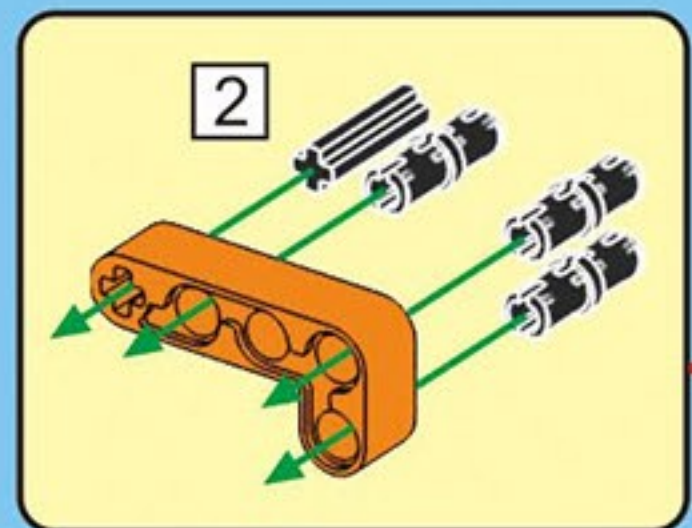




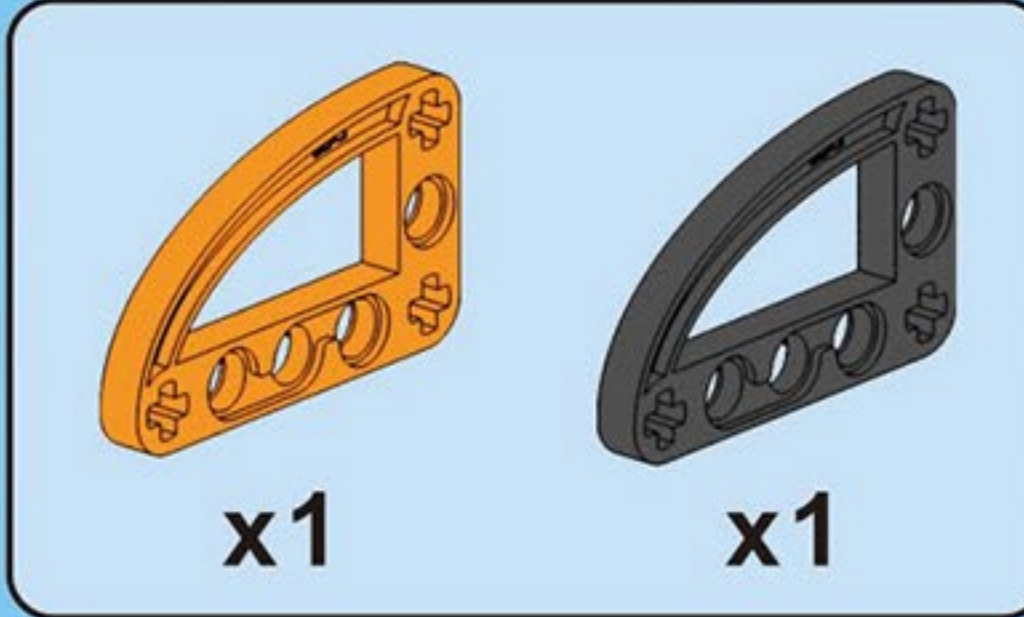
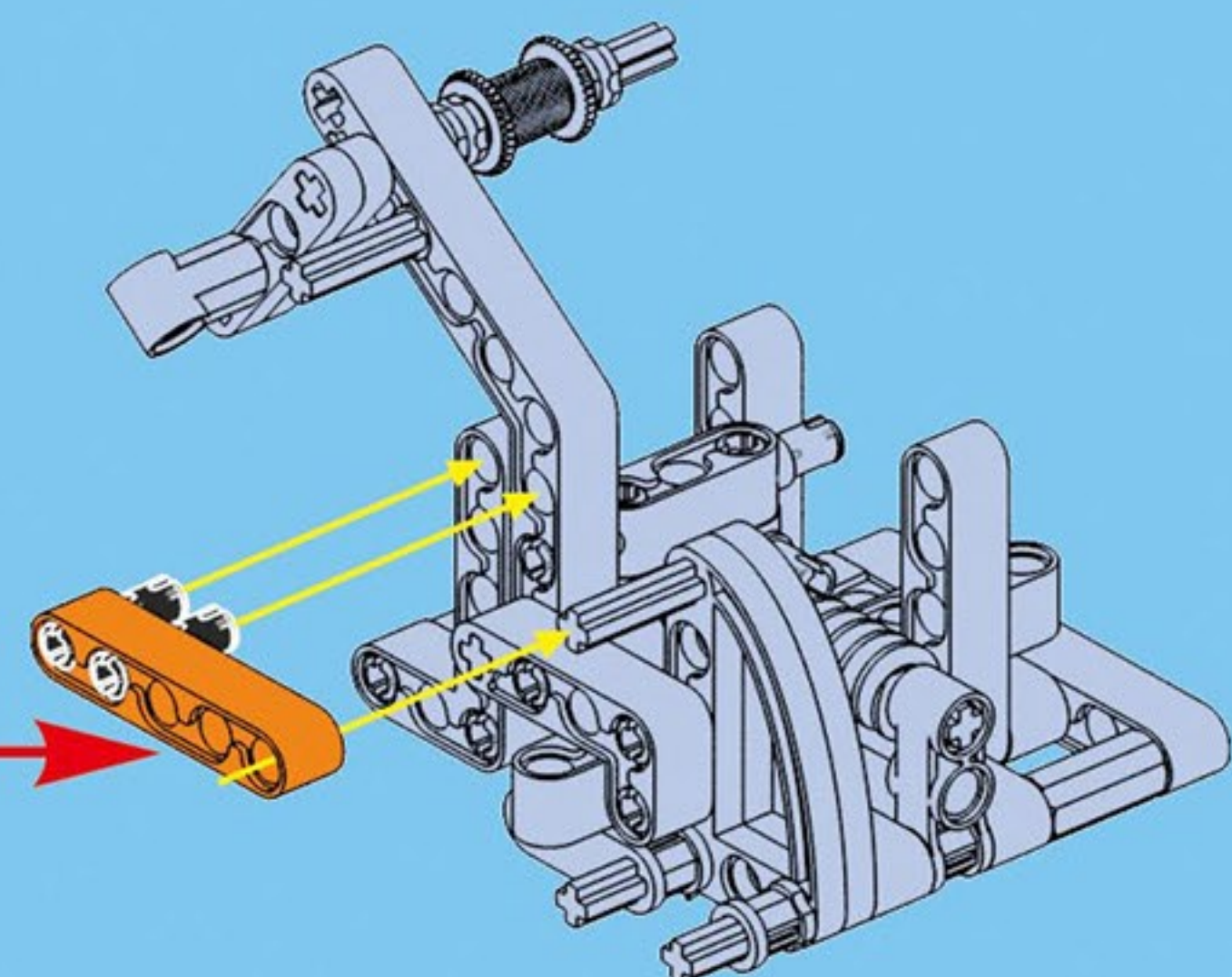
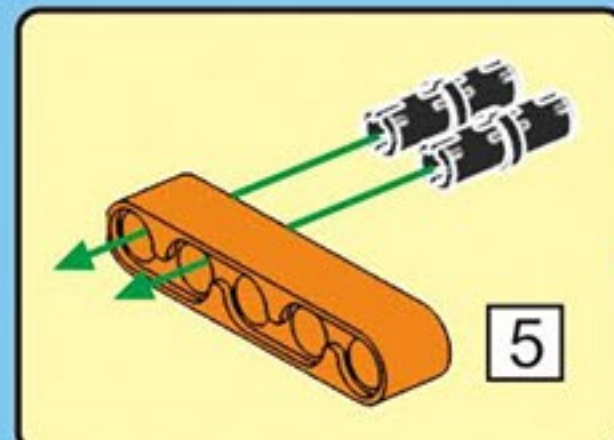
J26



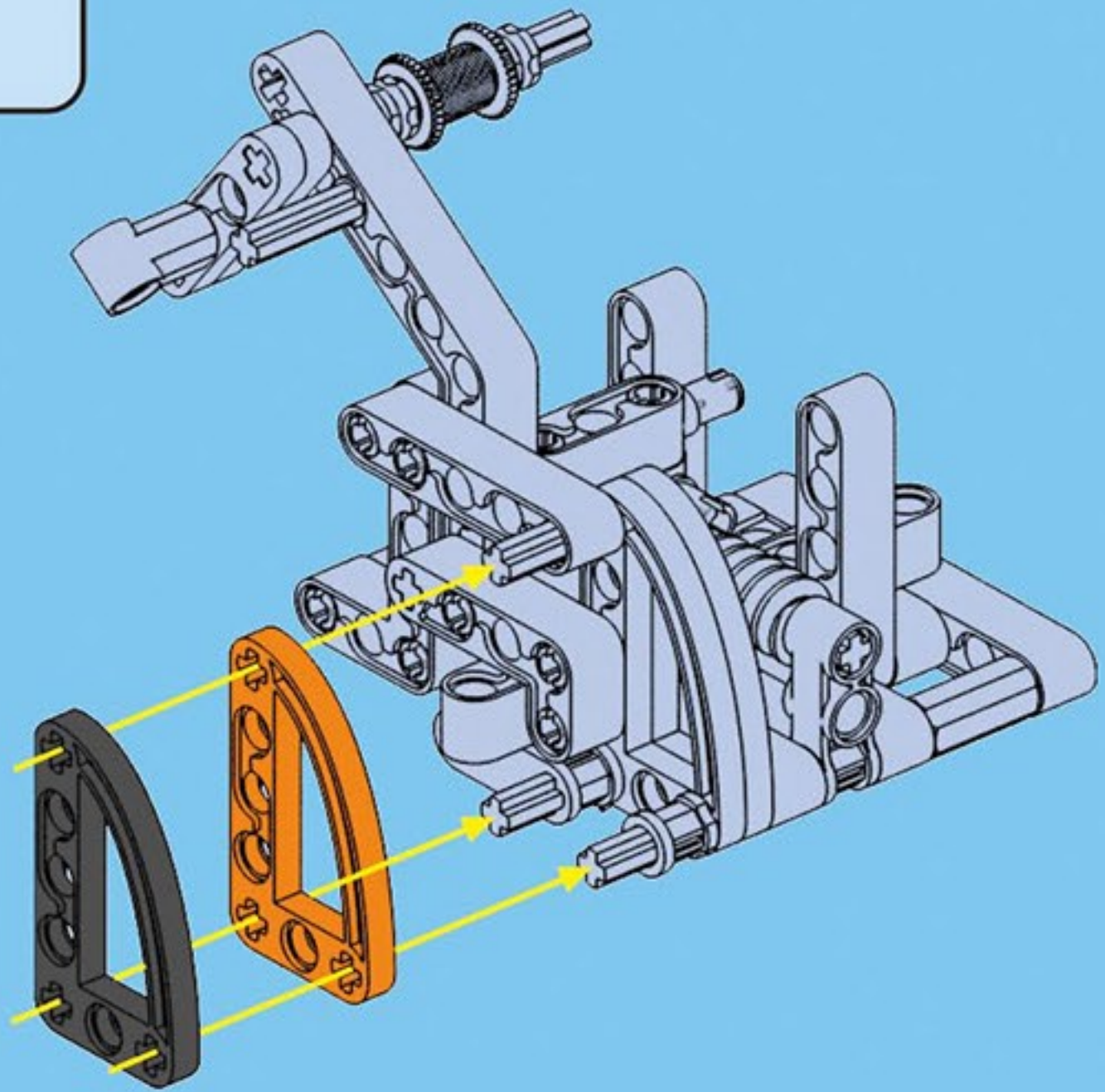
J27

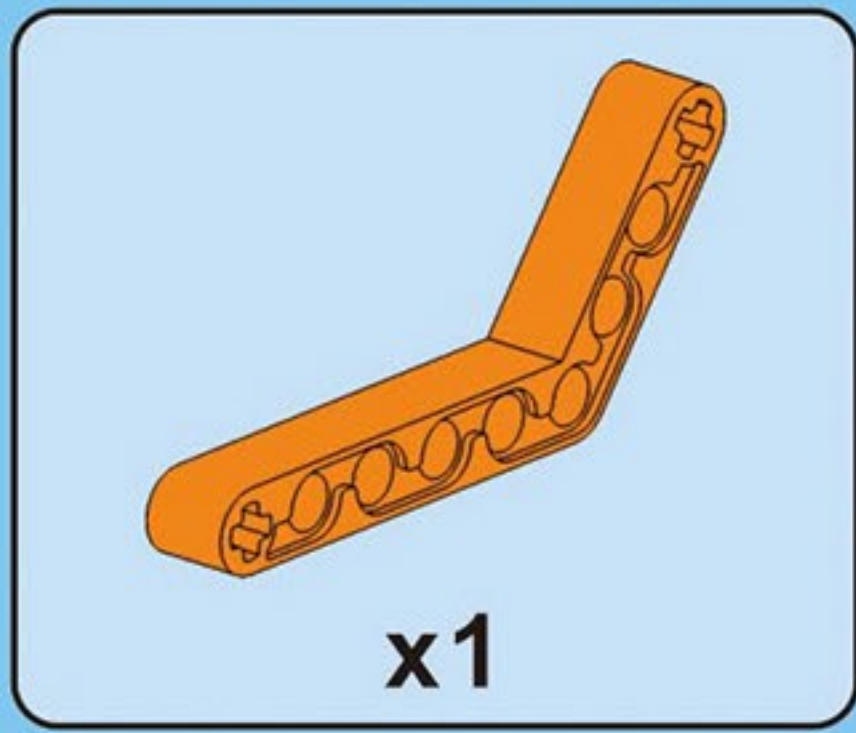


J28

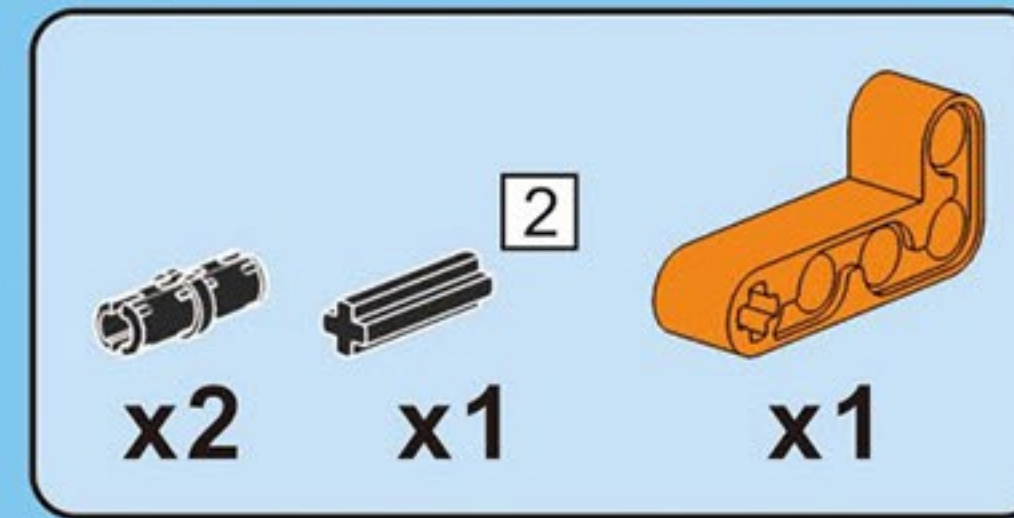
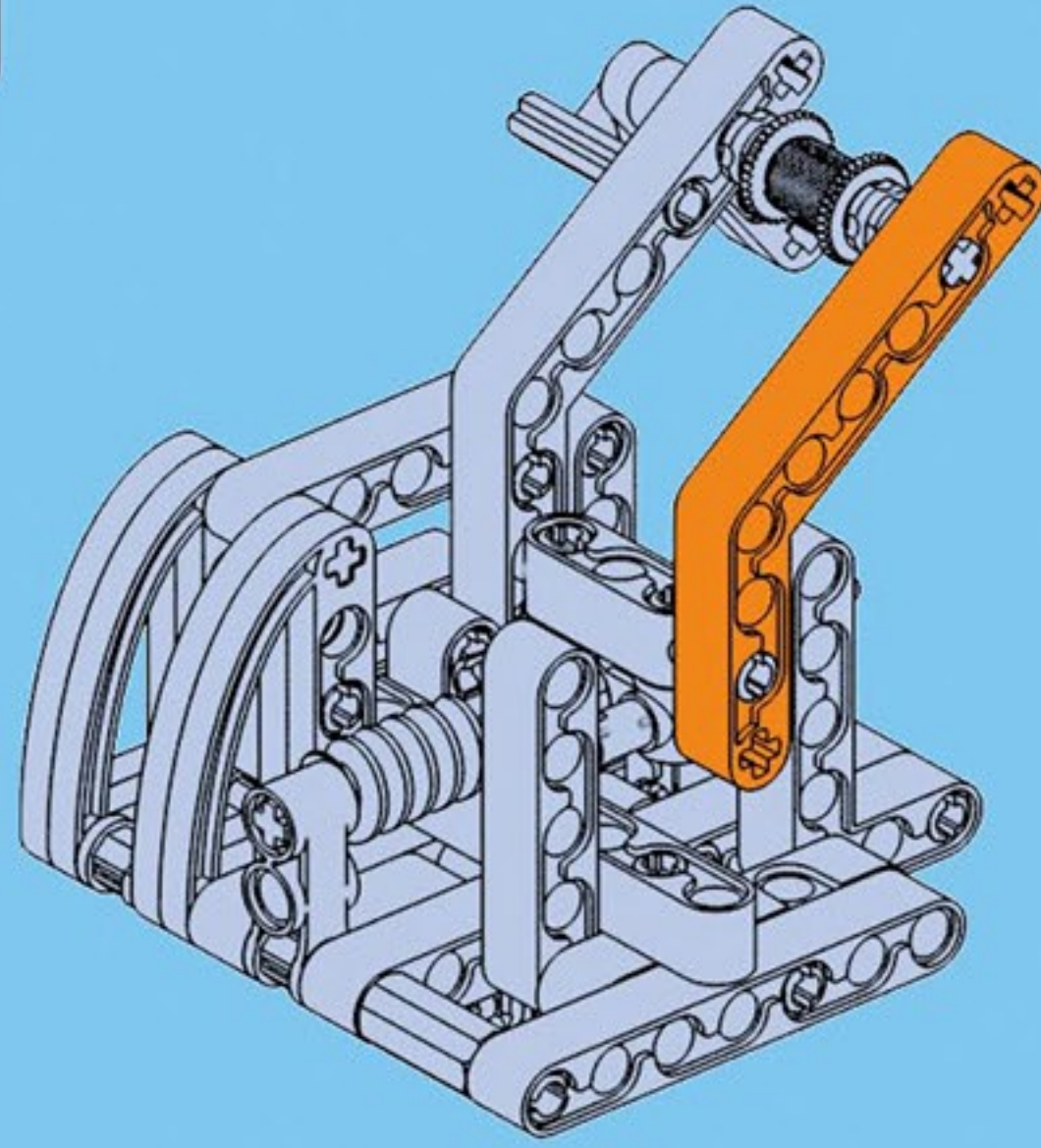


J29

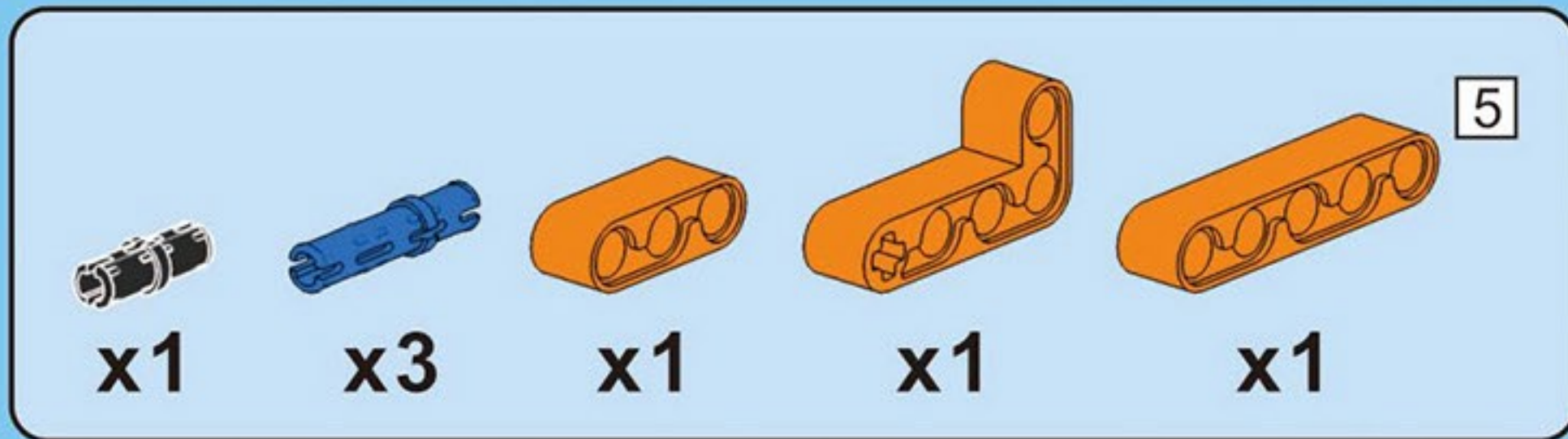
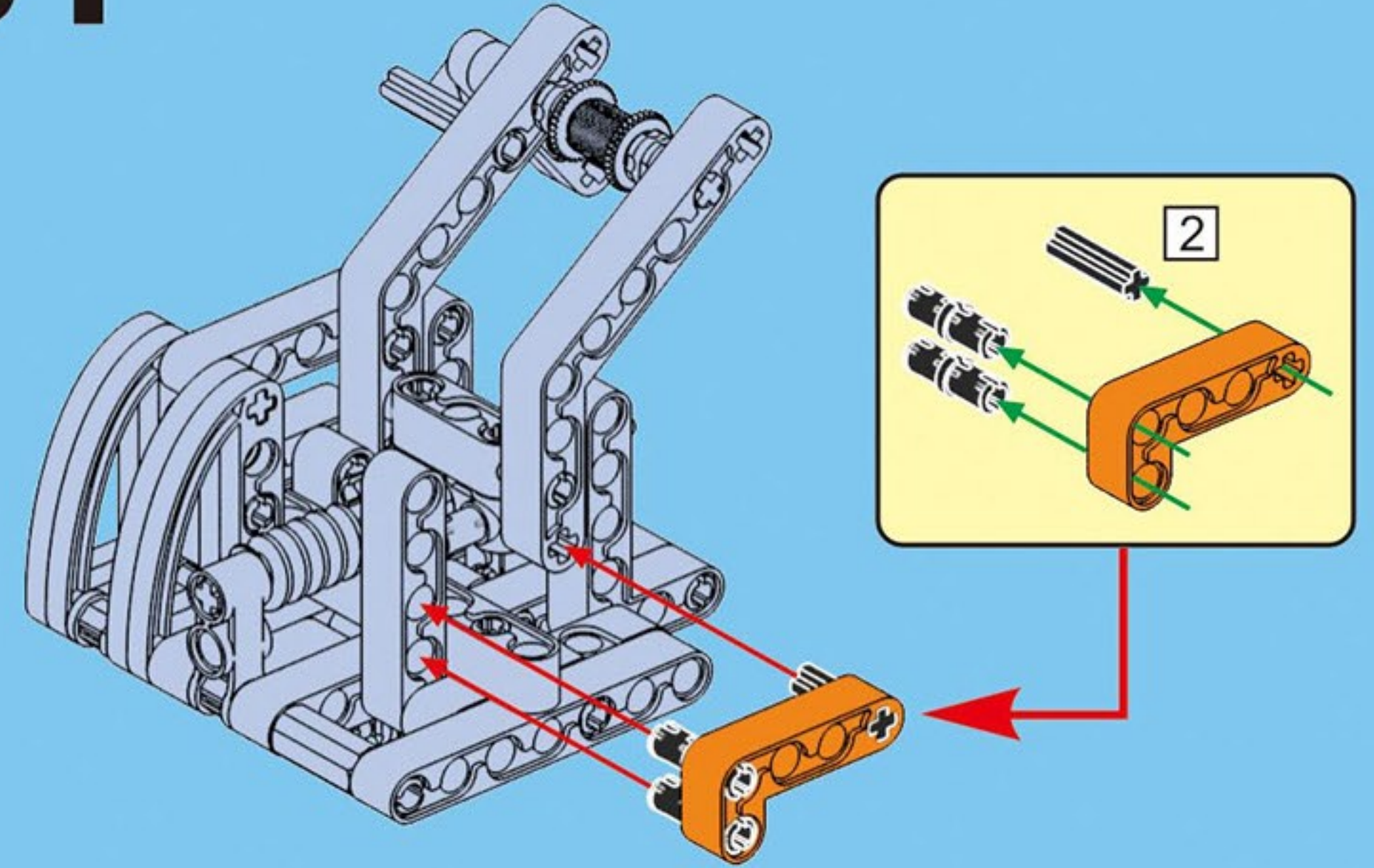




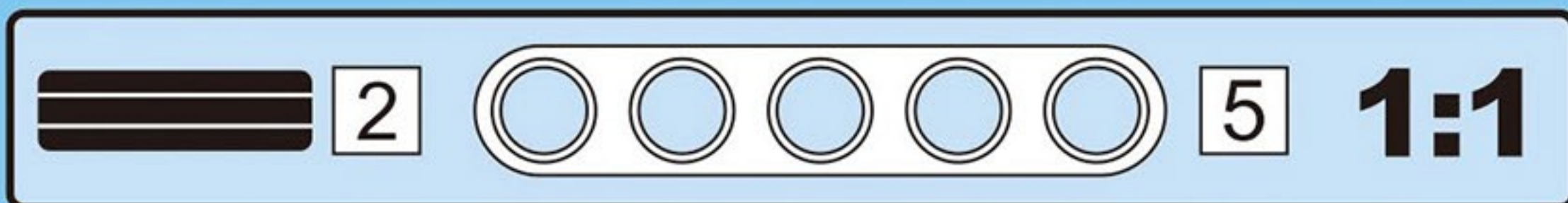
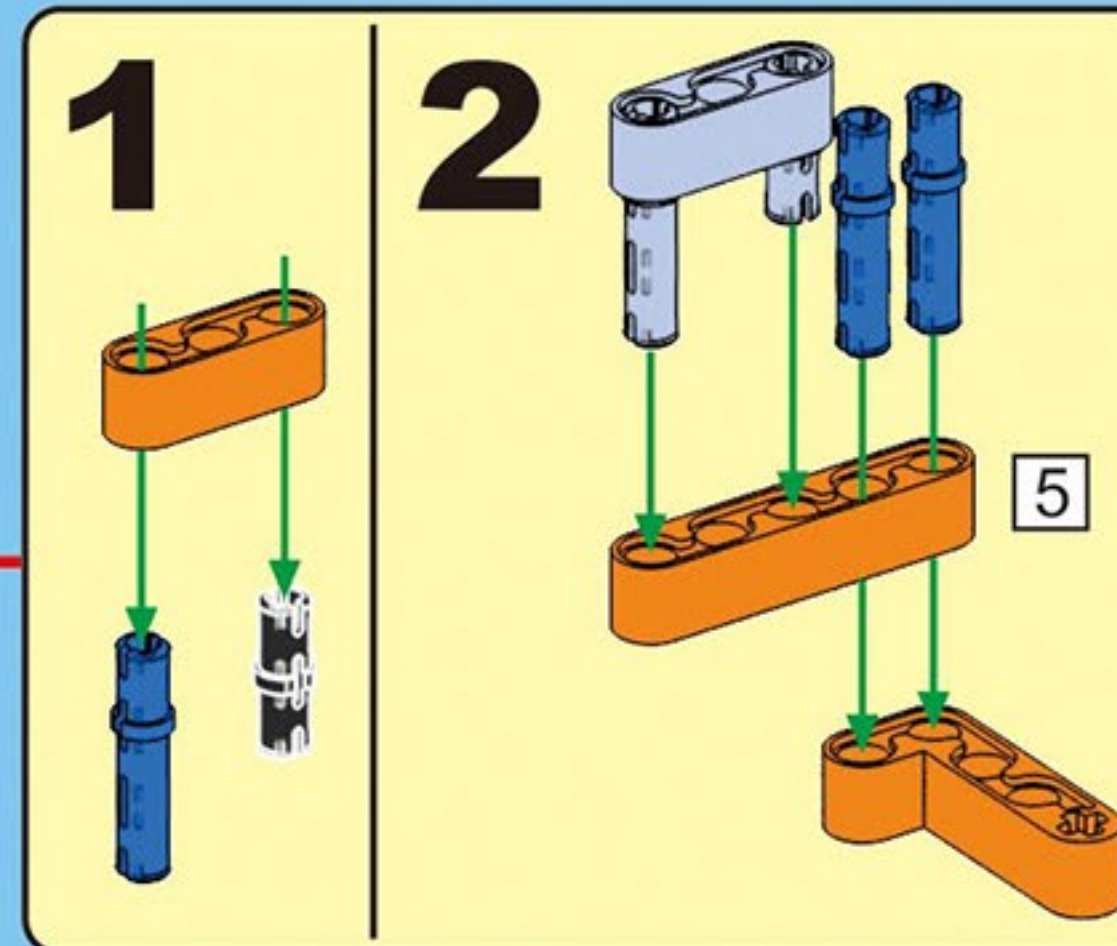
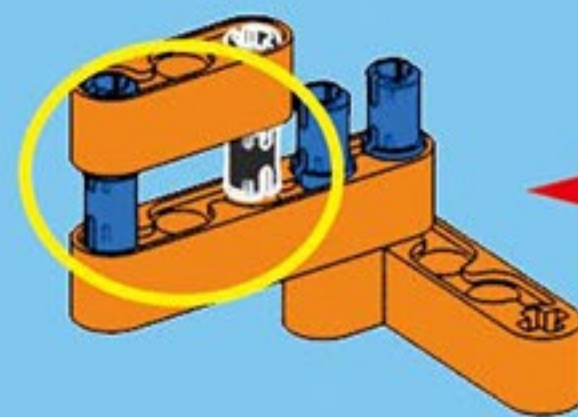
J30

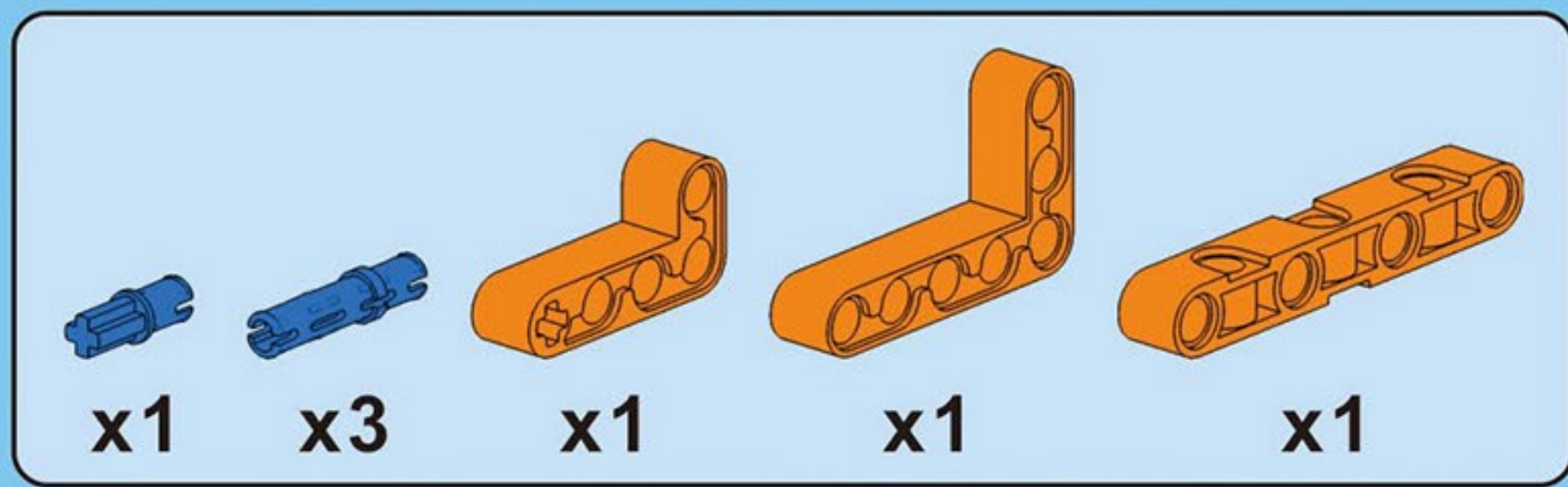


J31

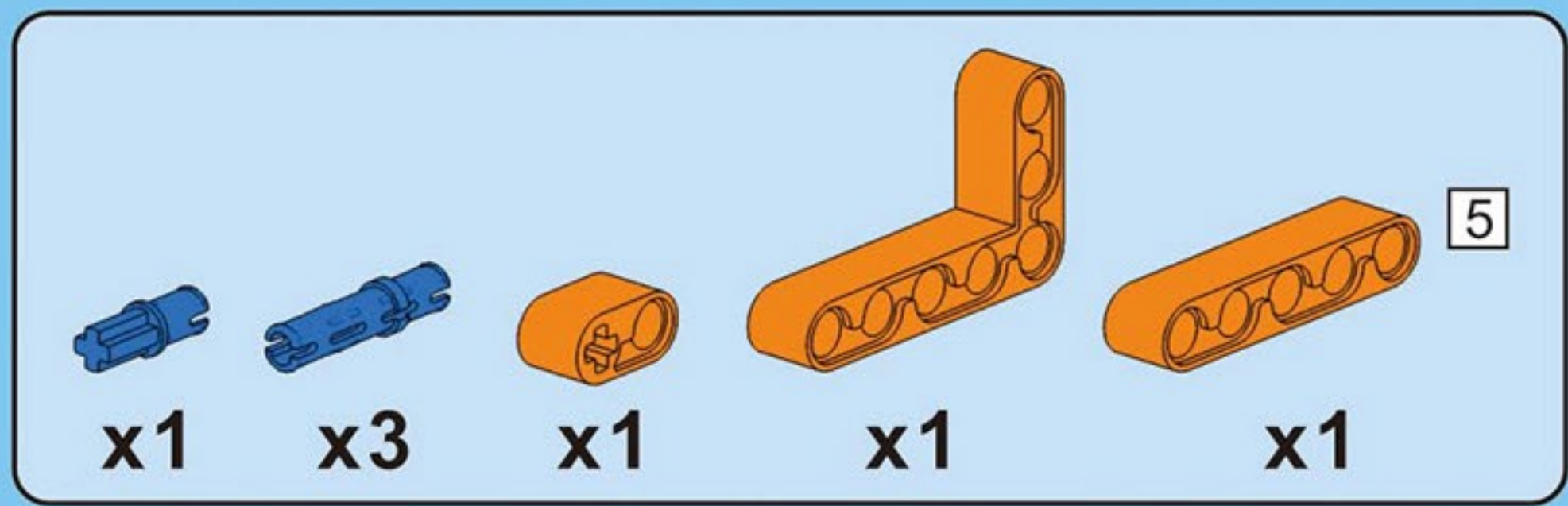
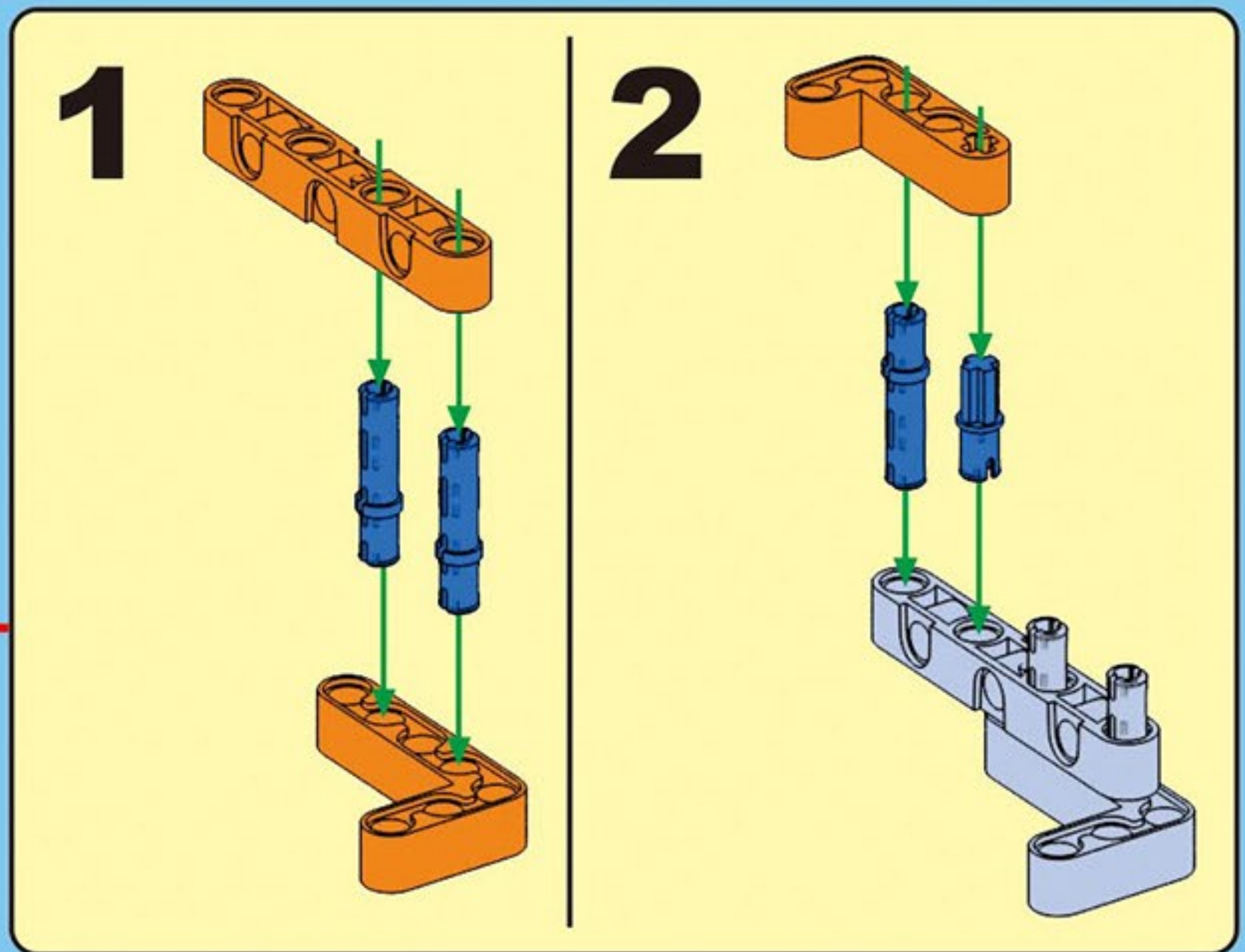
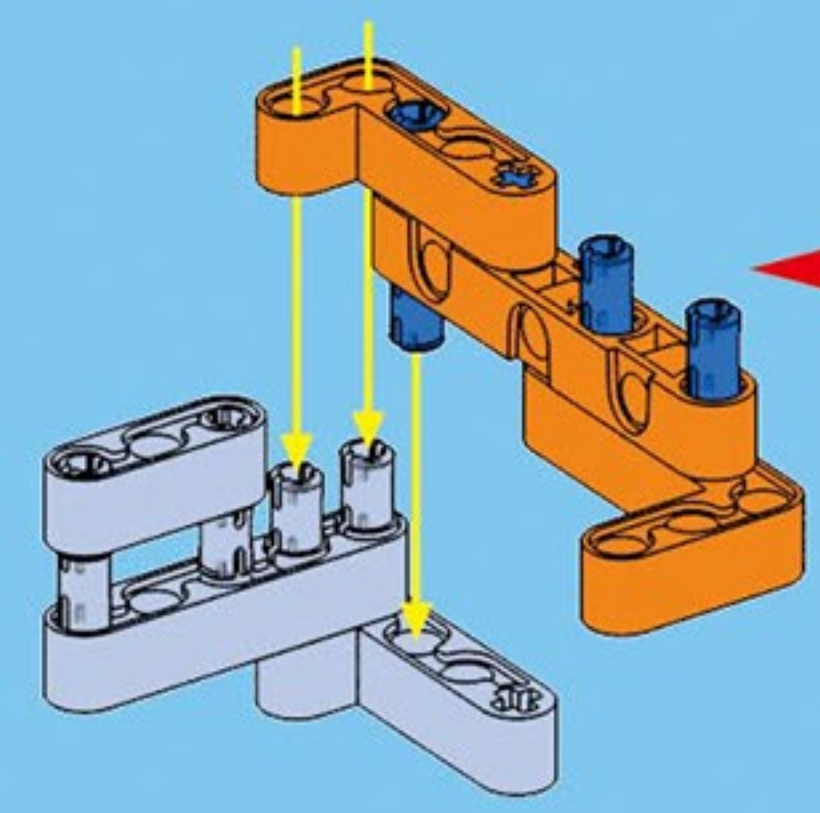


J32

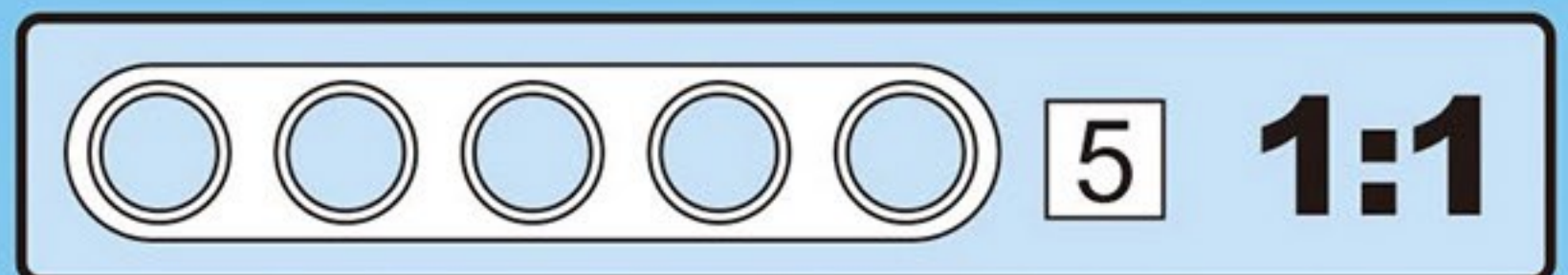
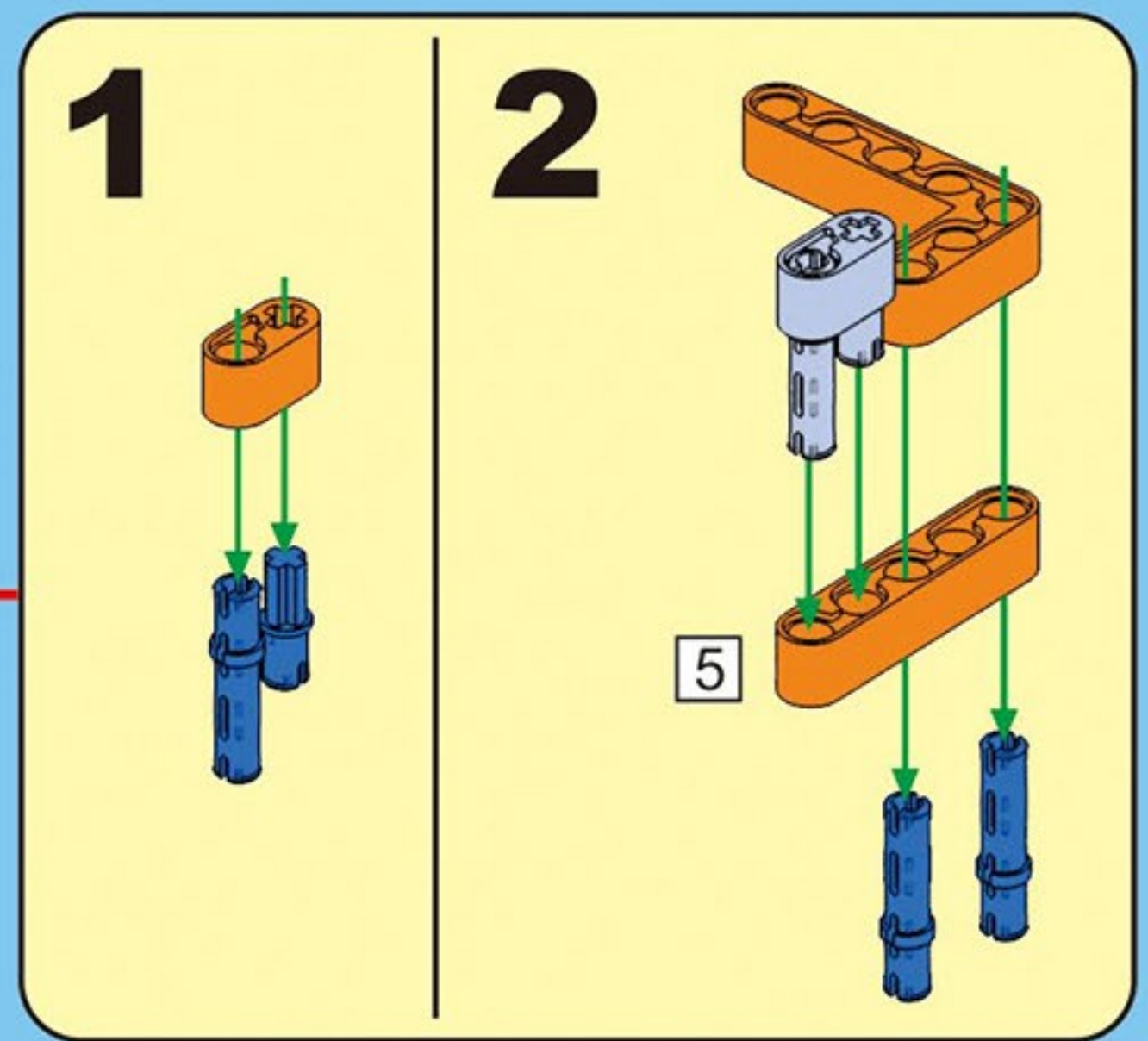
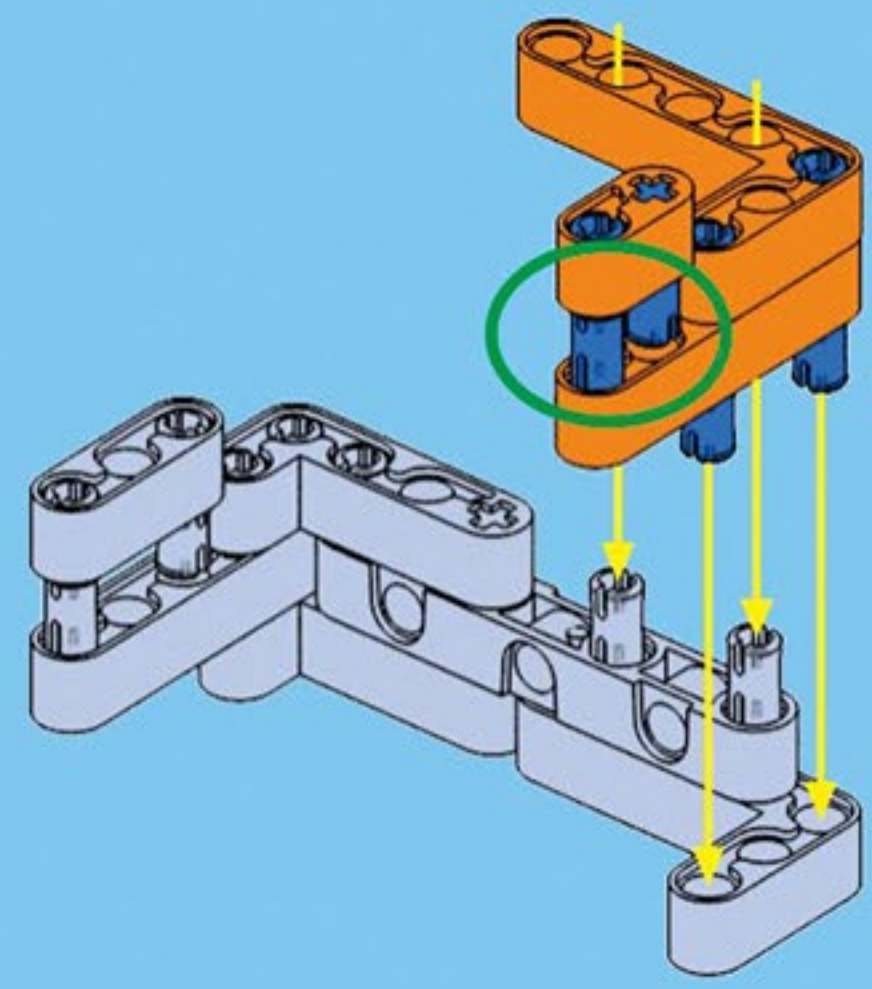




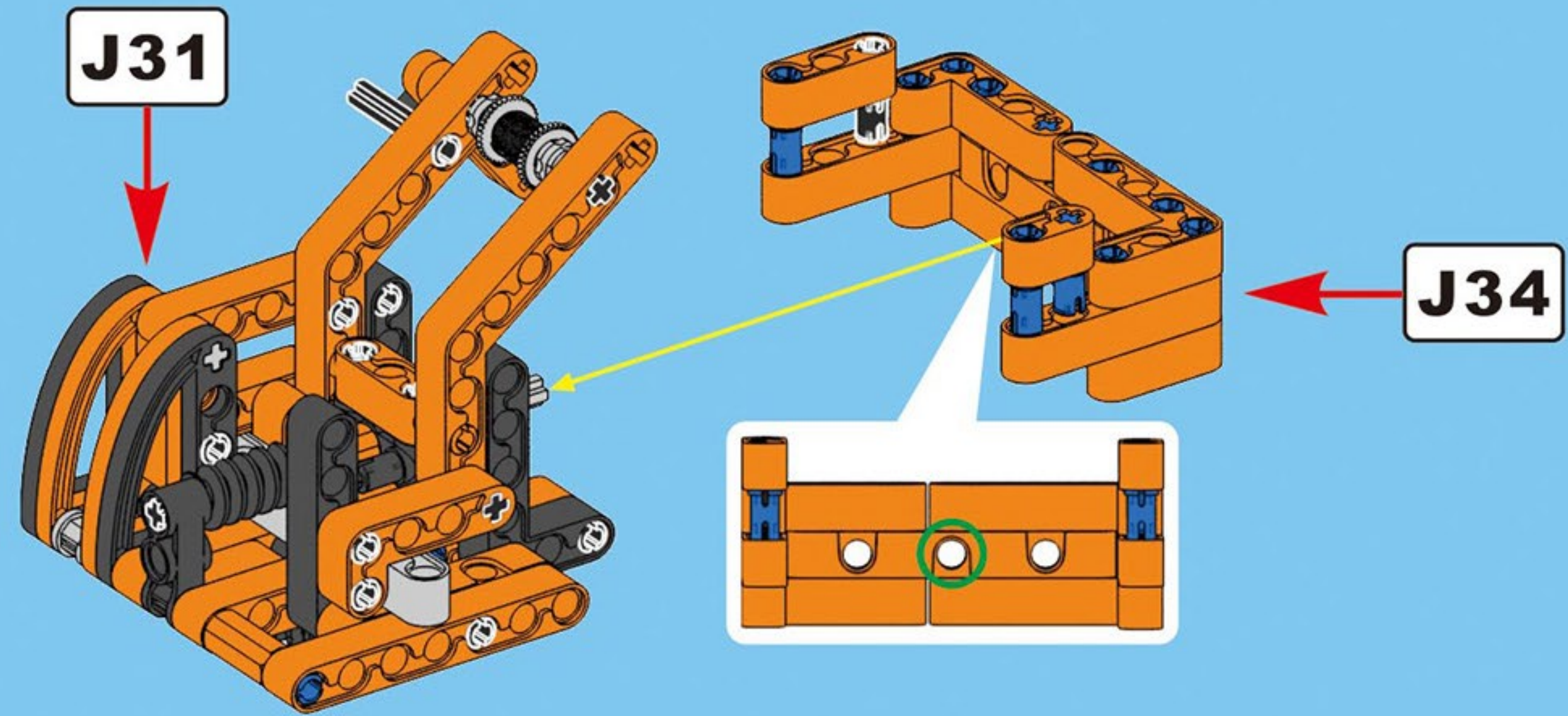
J33



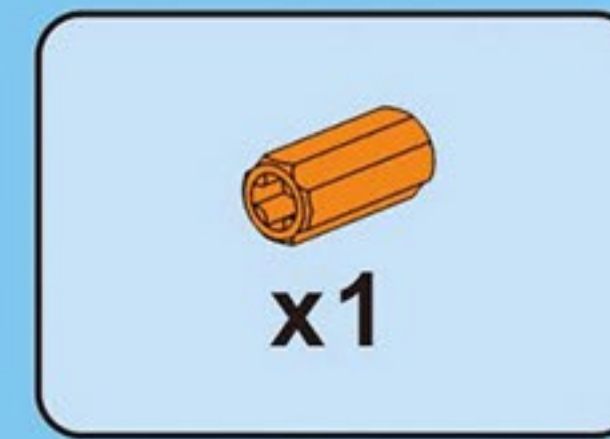
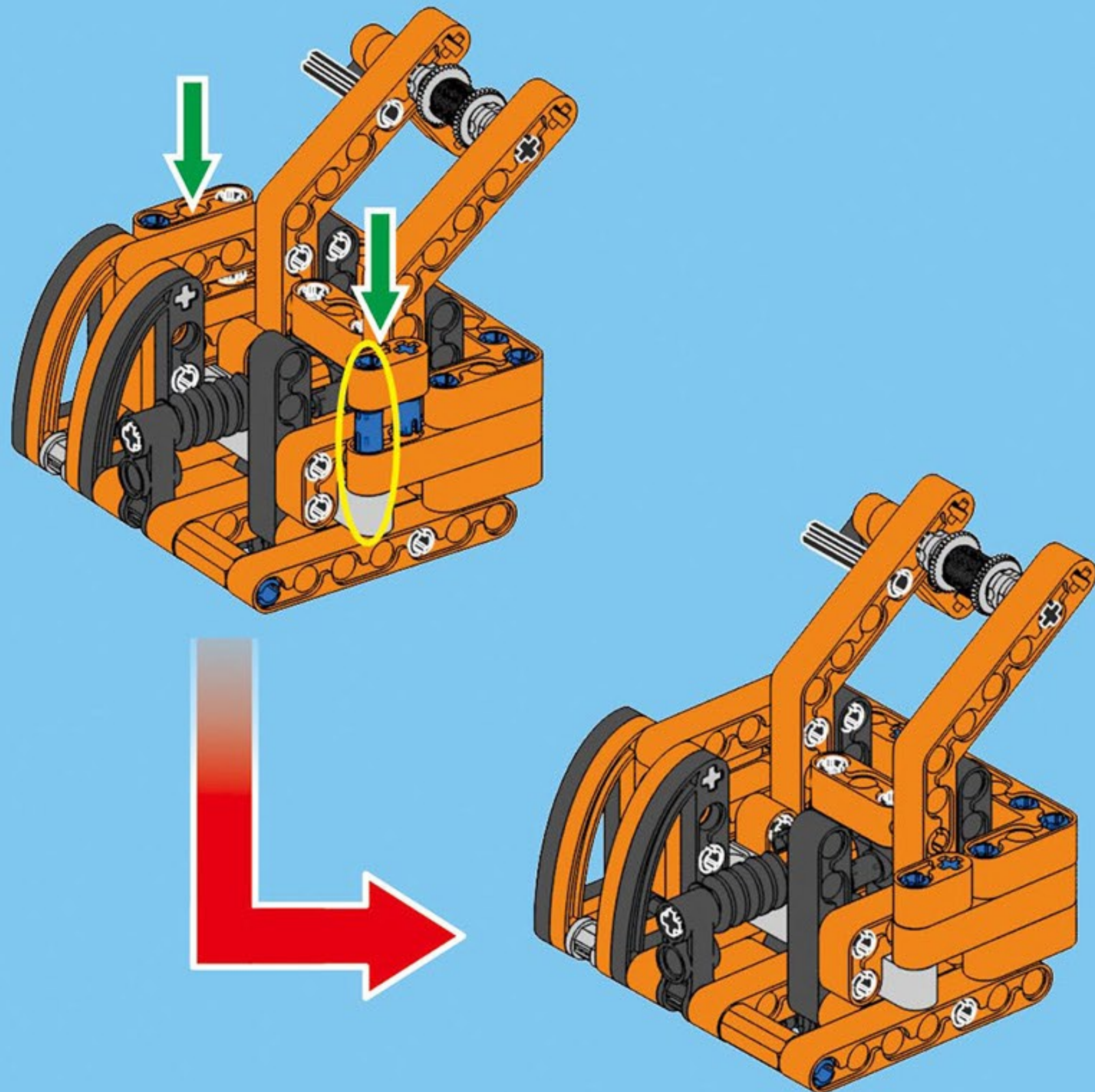
J34



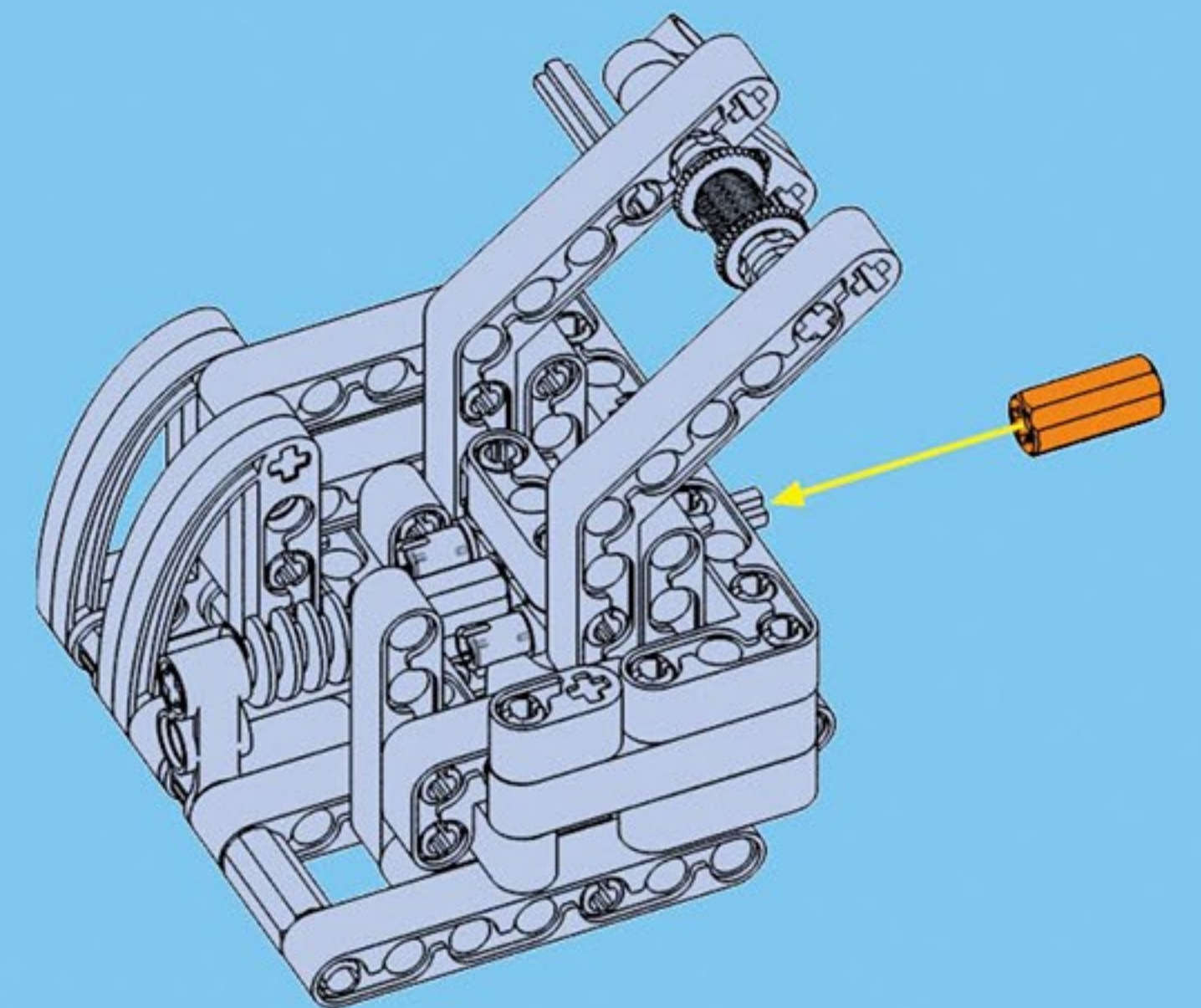
J35

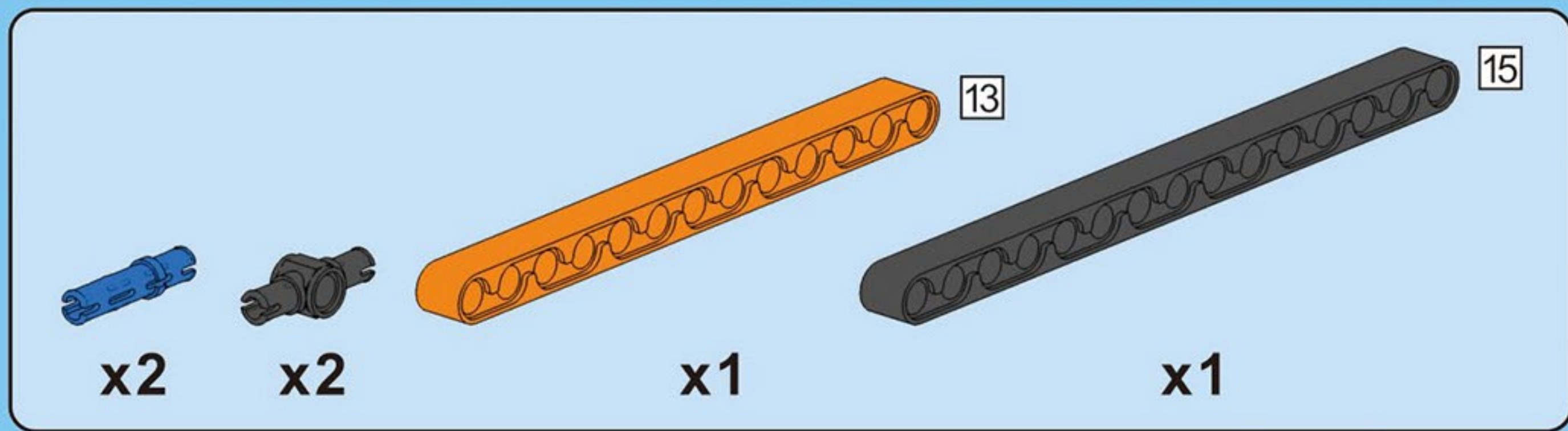


J36

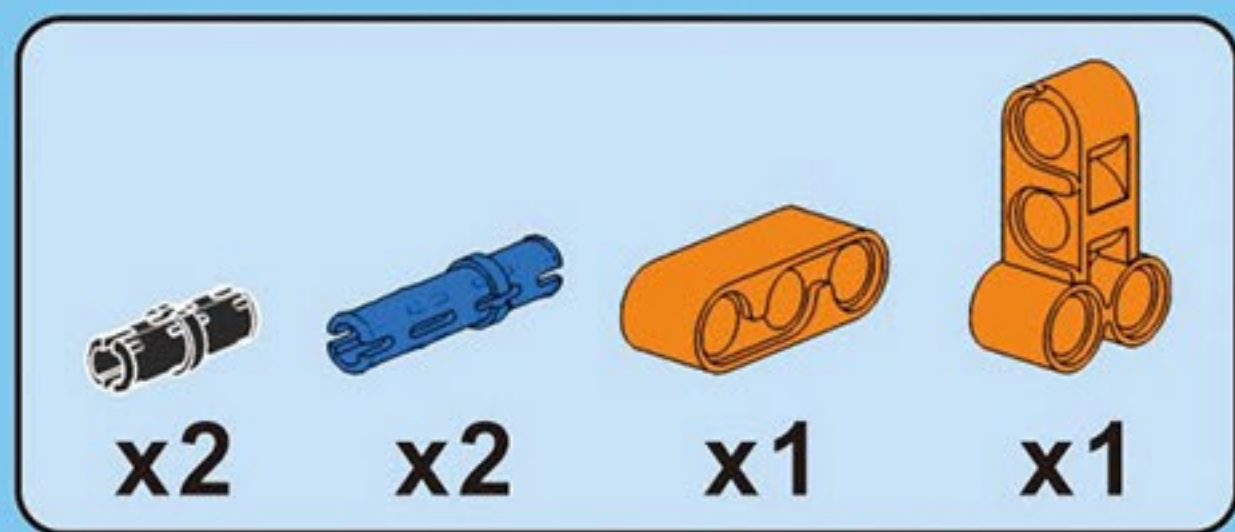
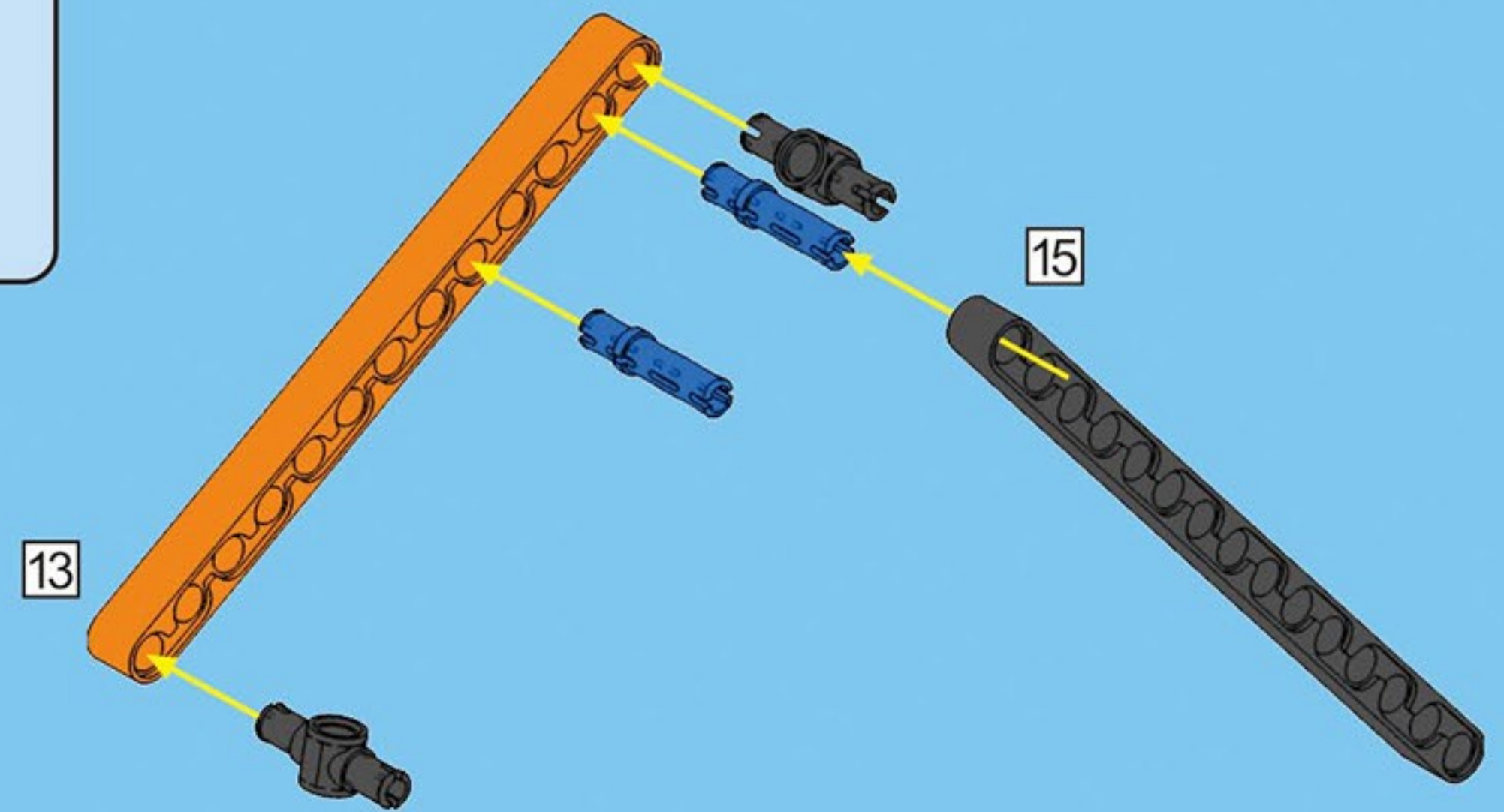


J37

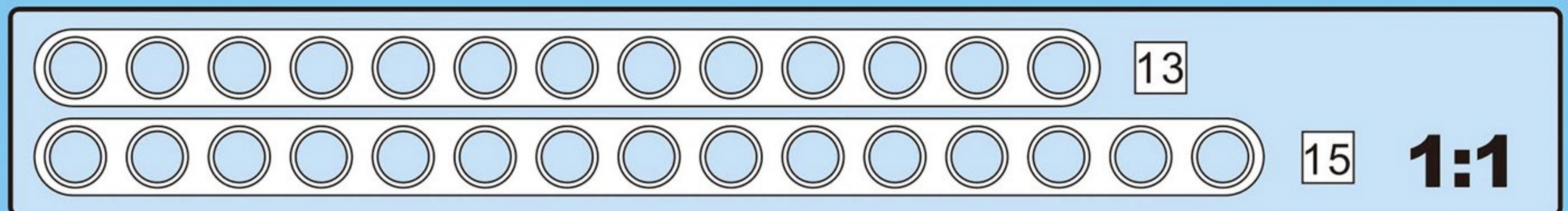
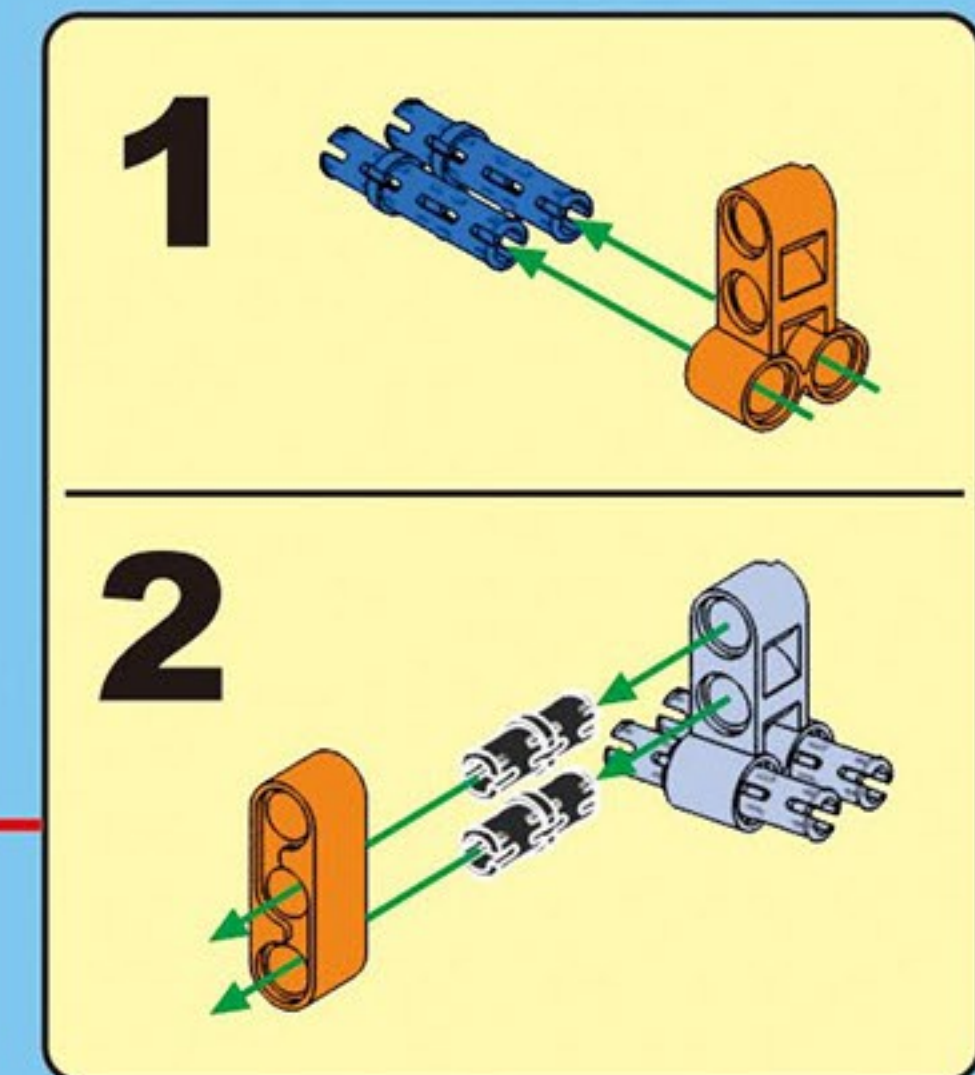
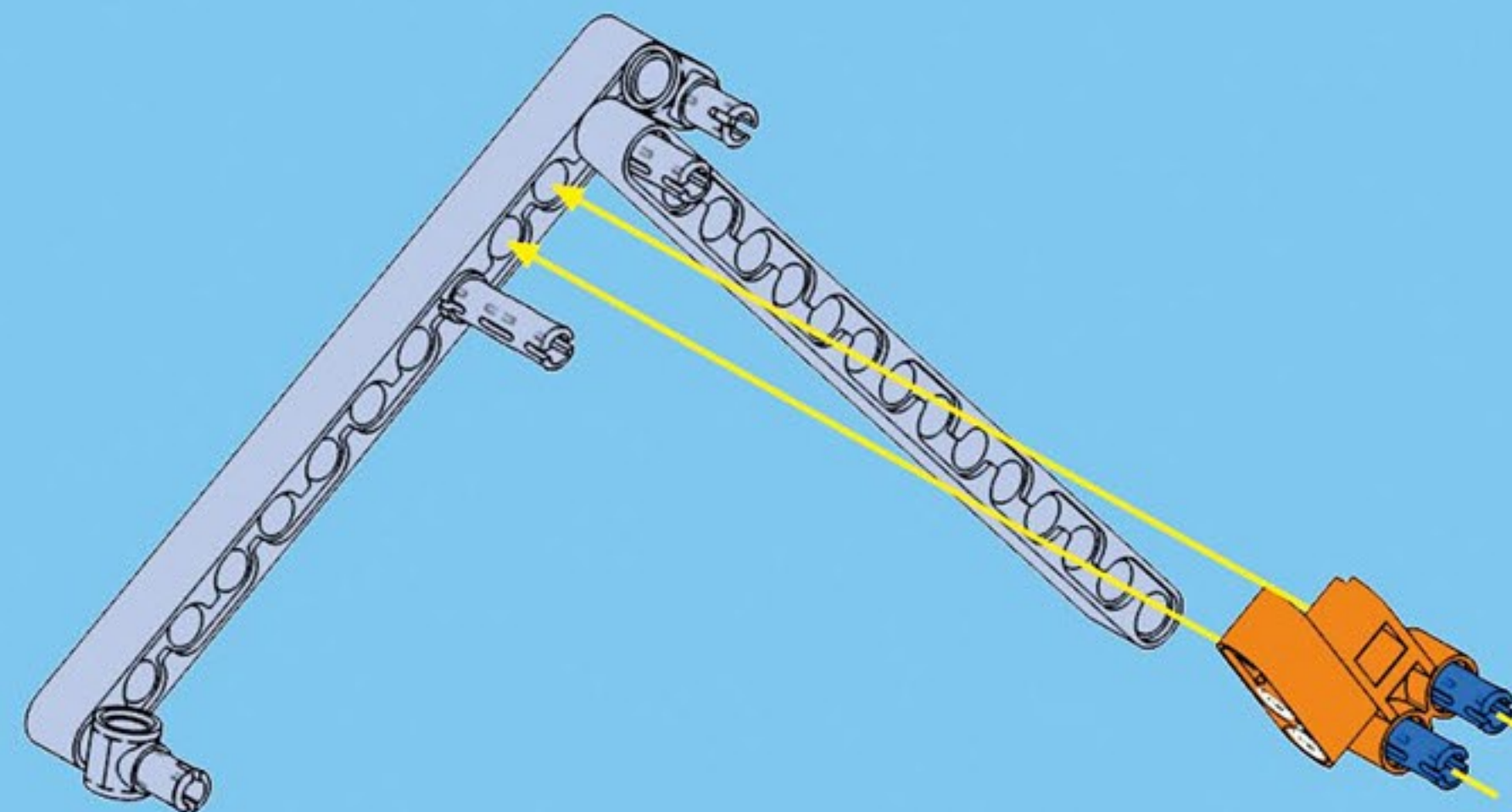


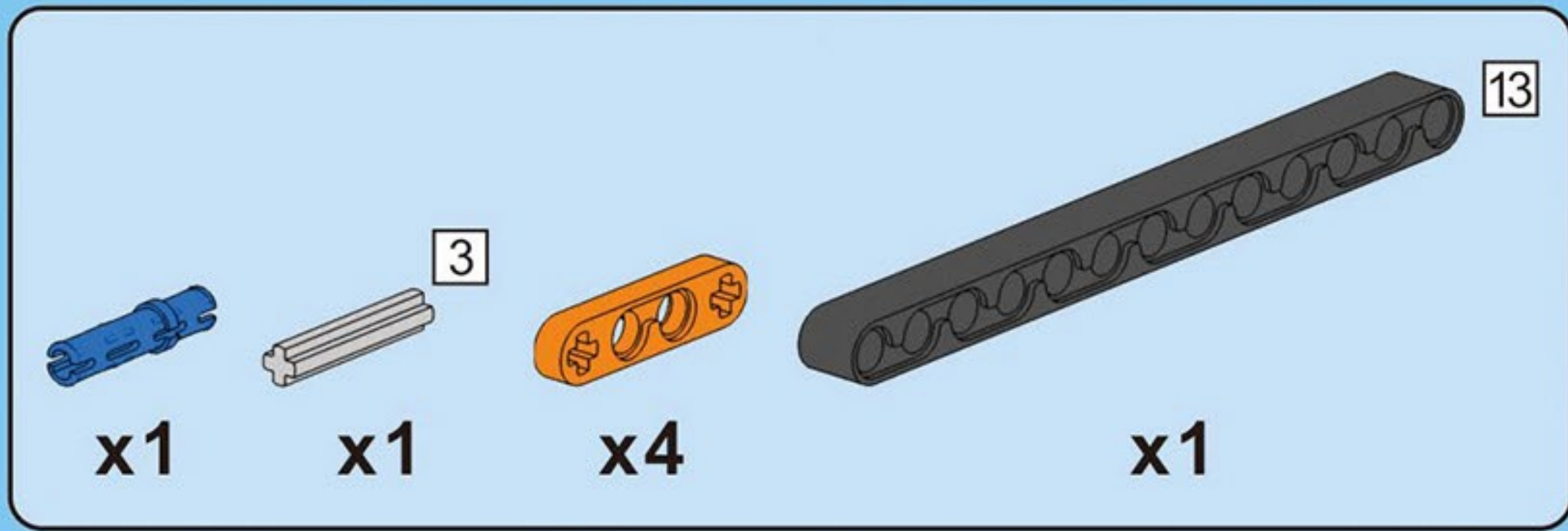


J38

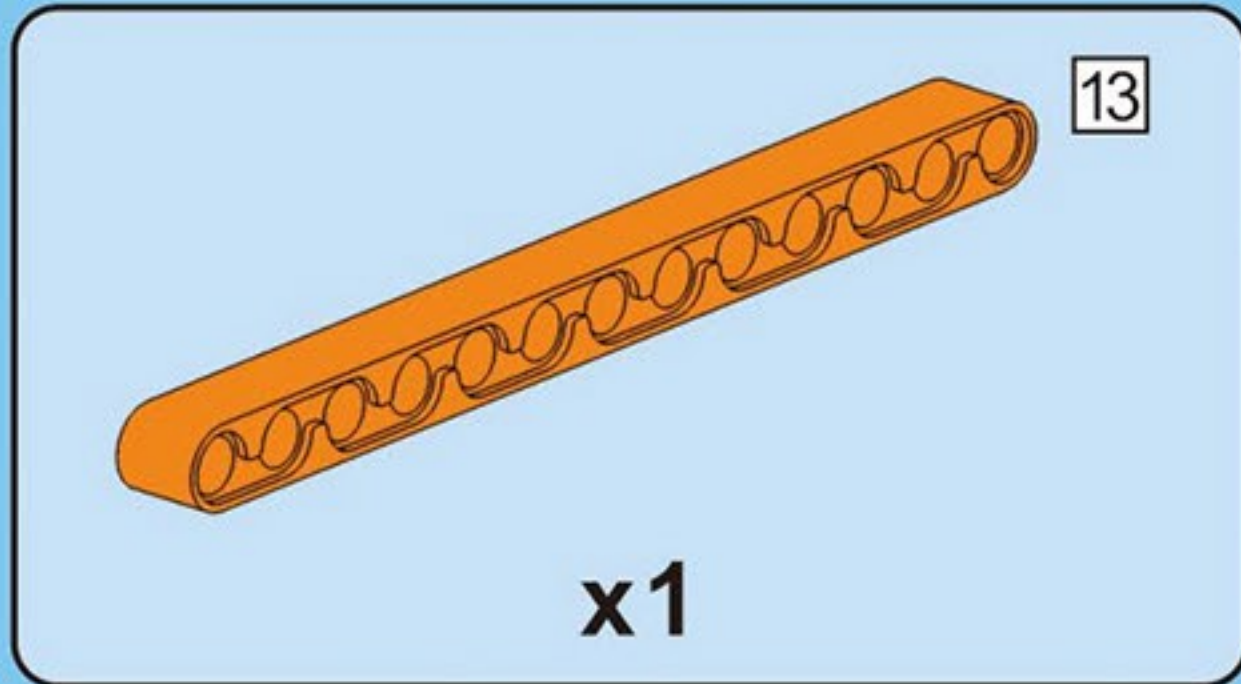
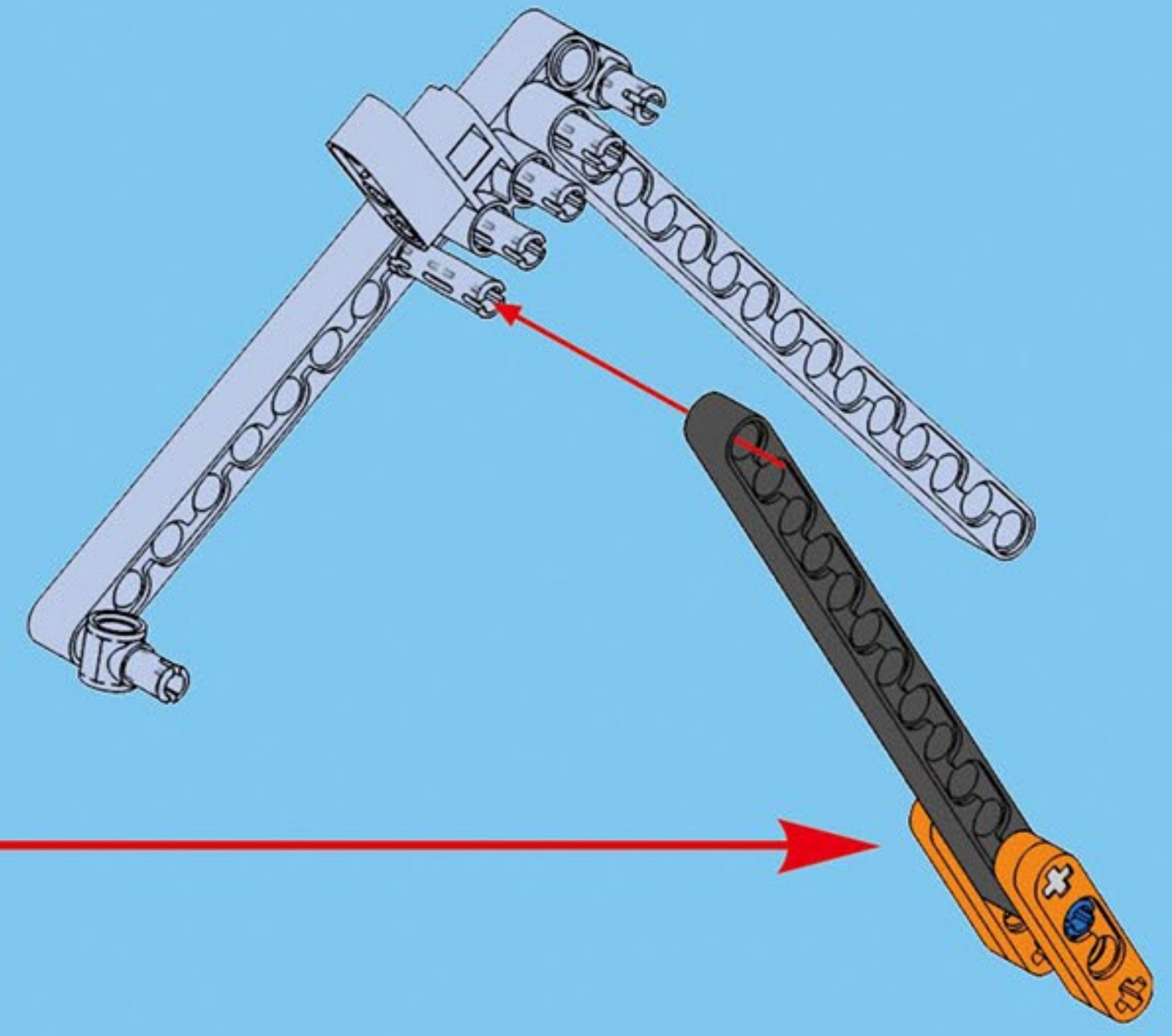
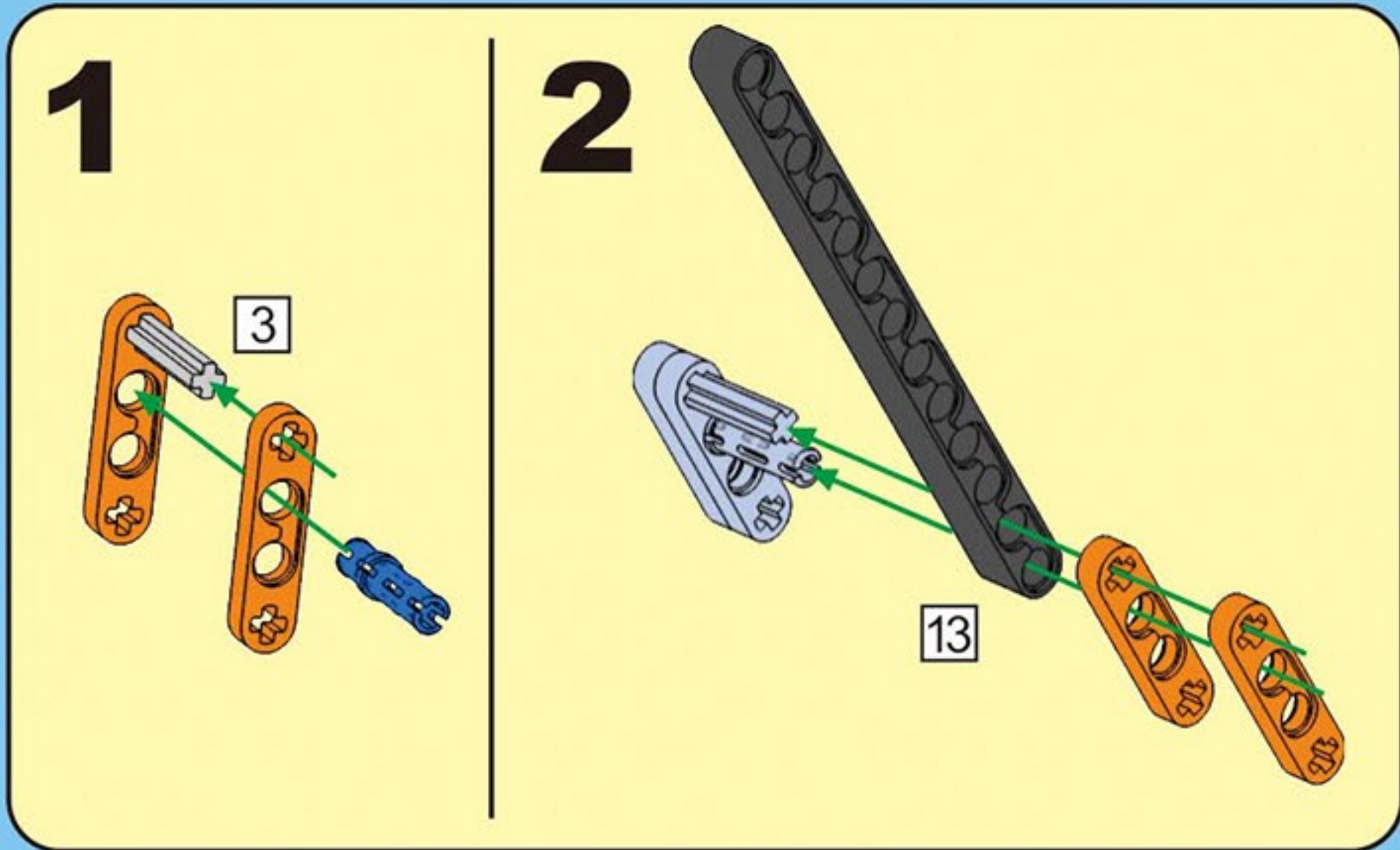


J39

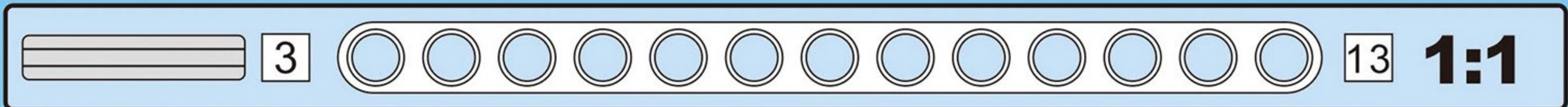
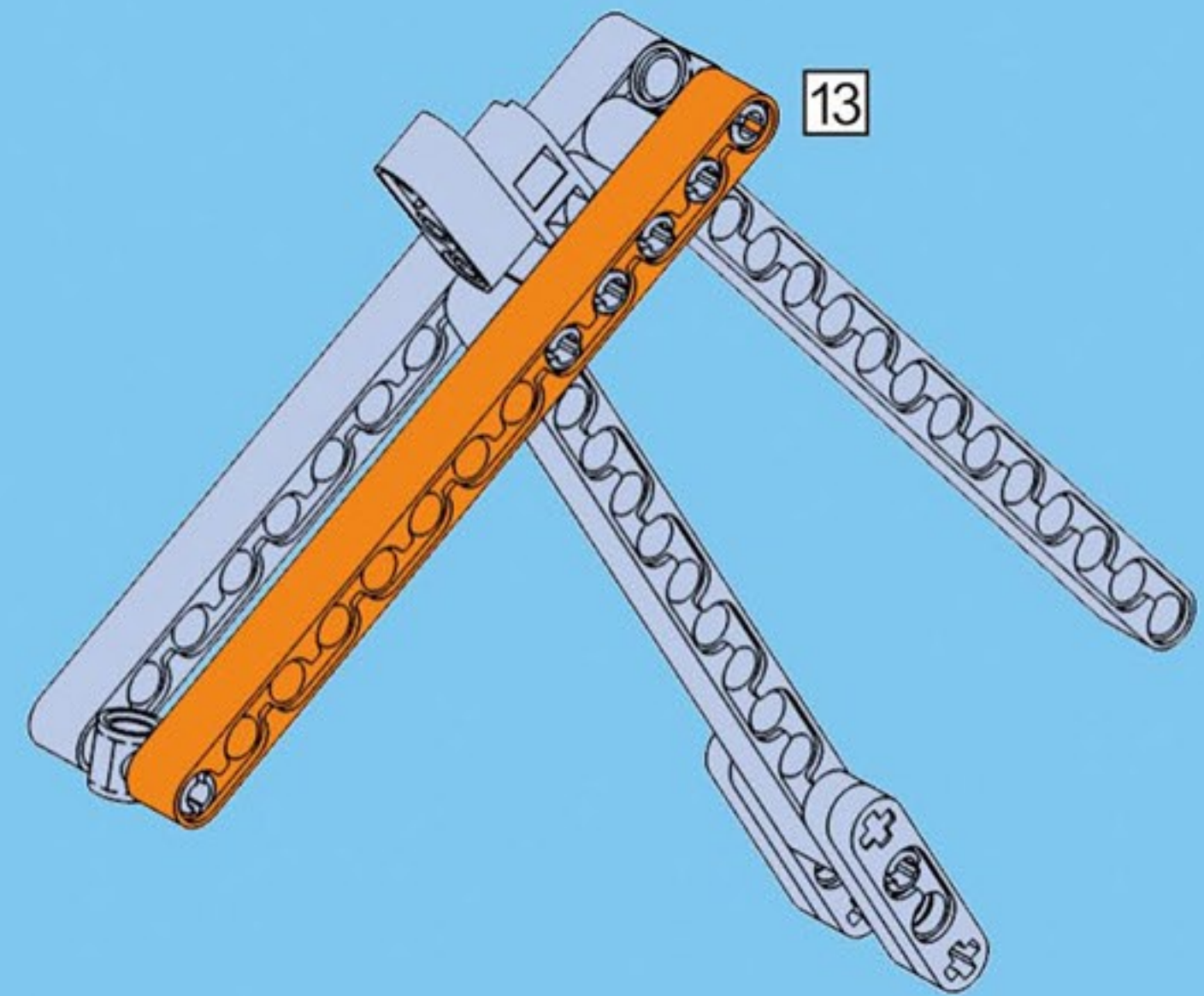




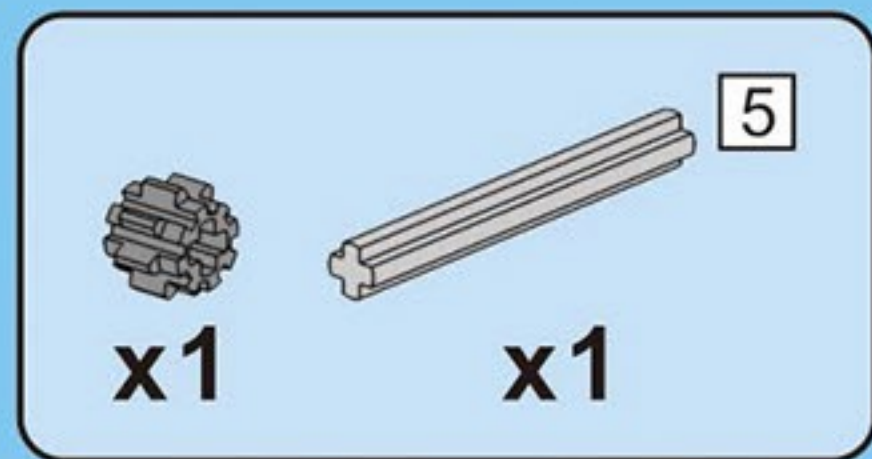
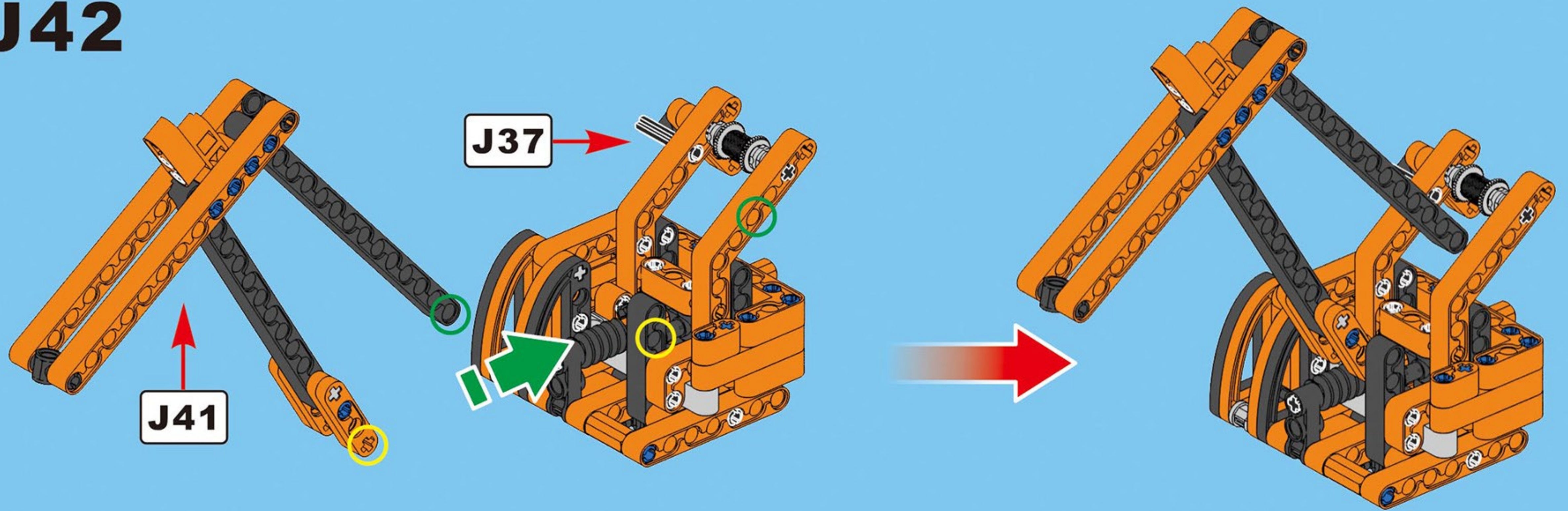
J40



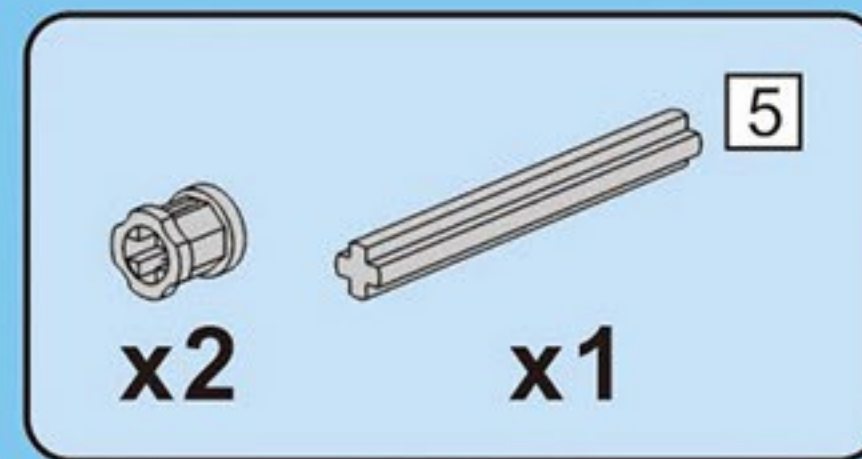
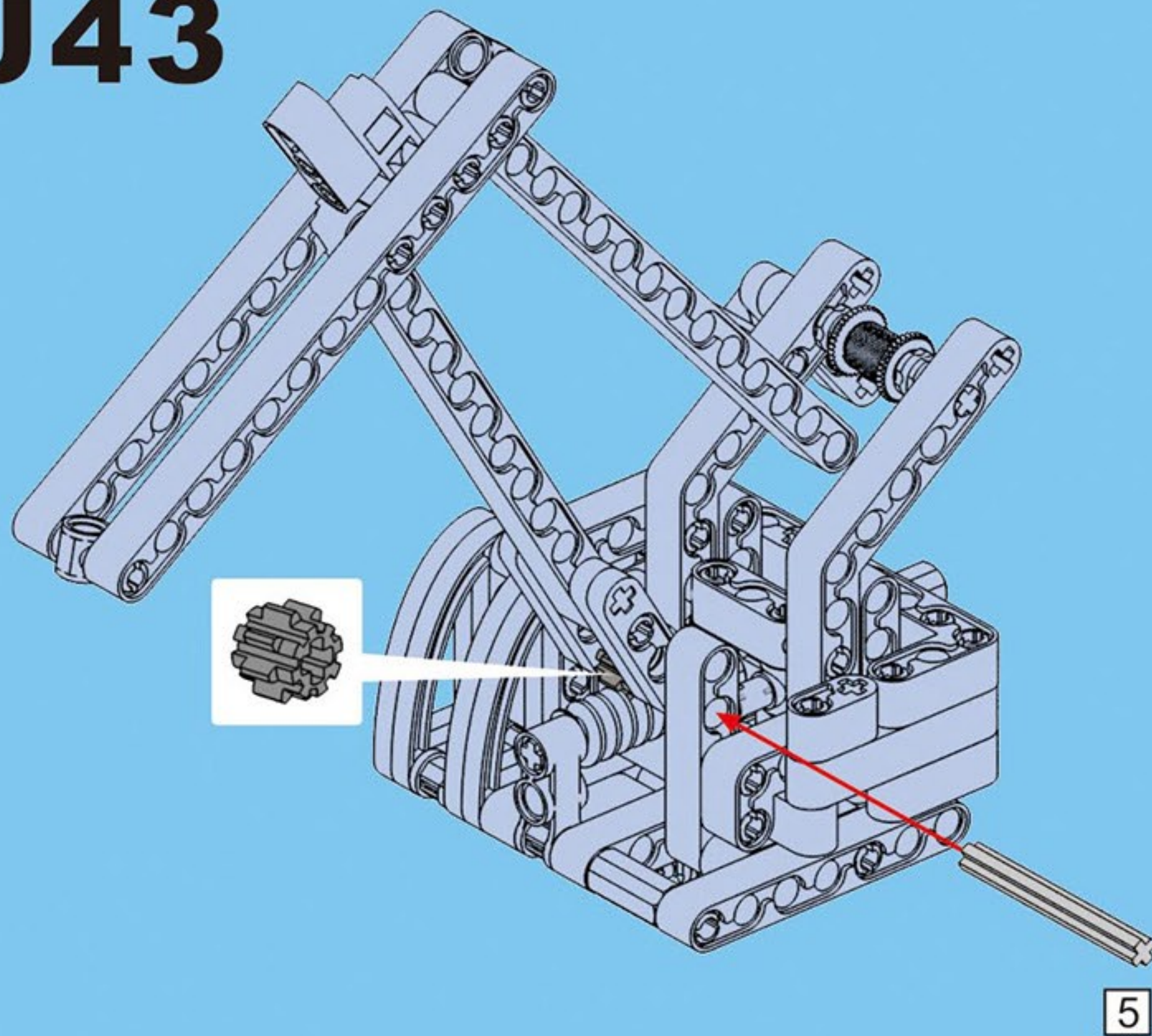
J41



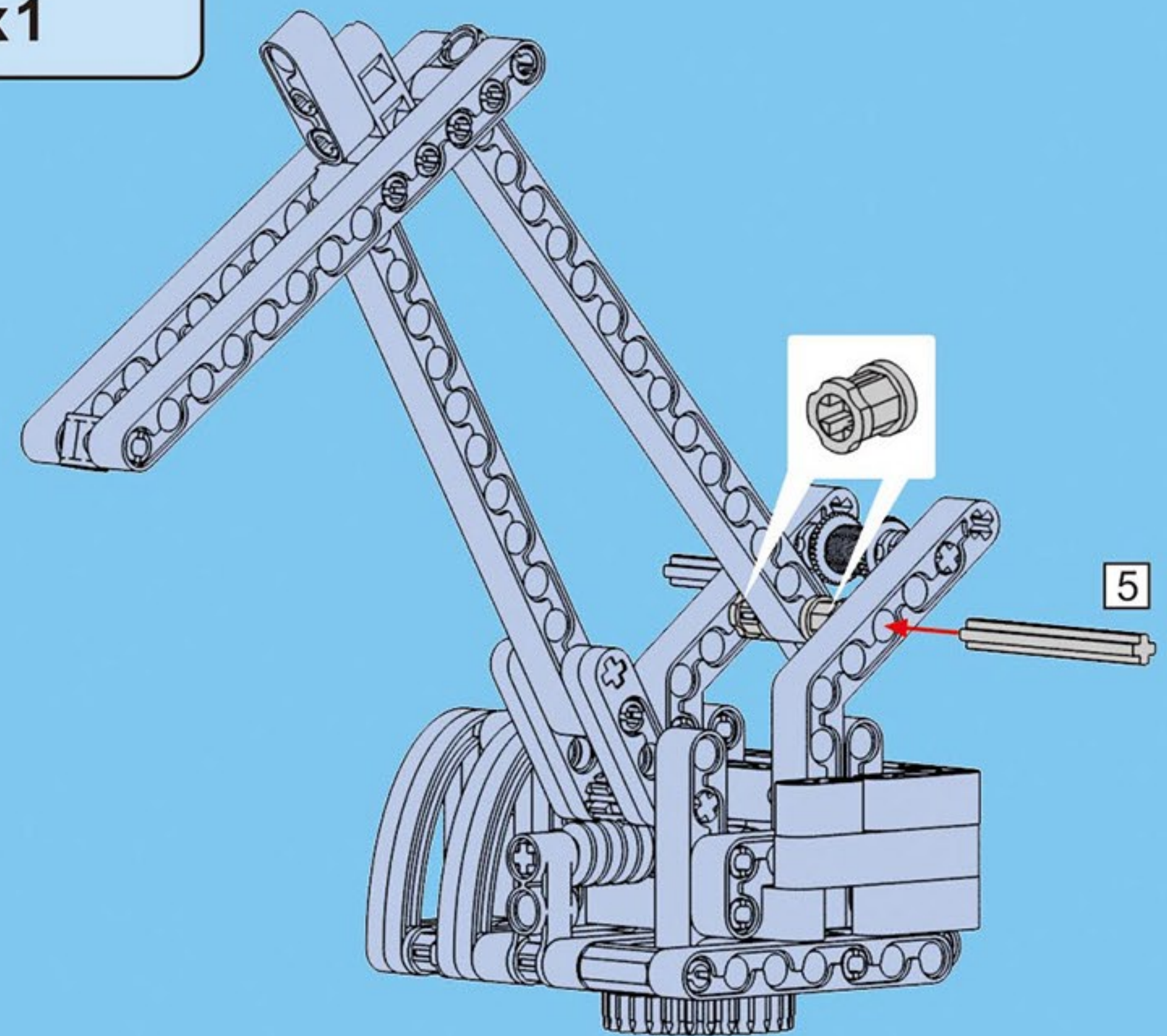
J42

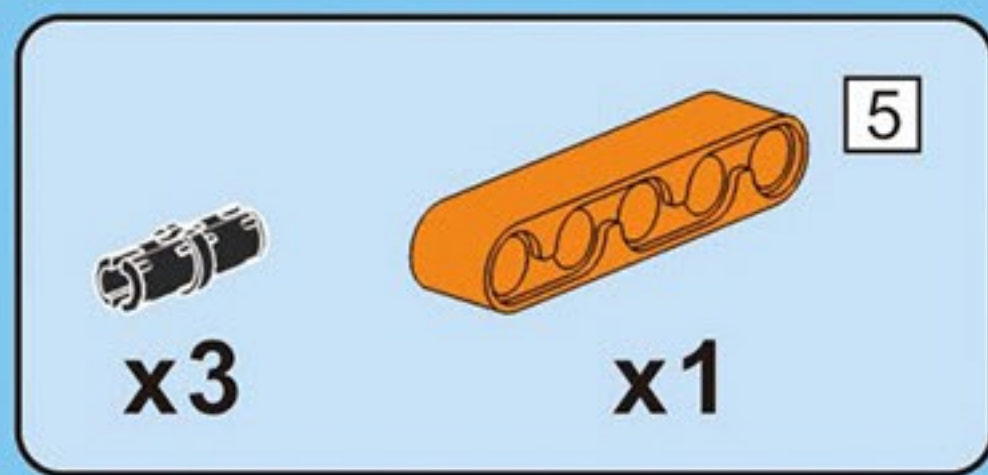


J43

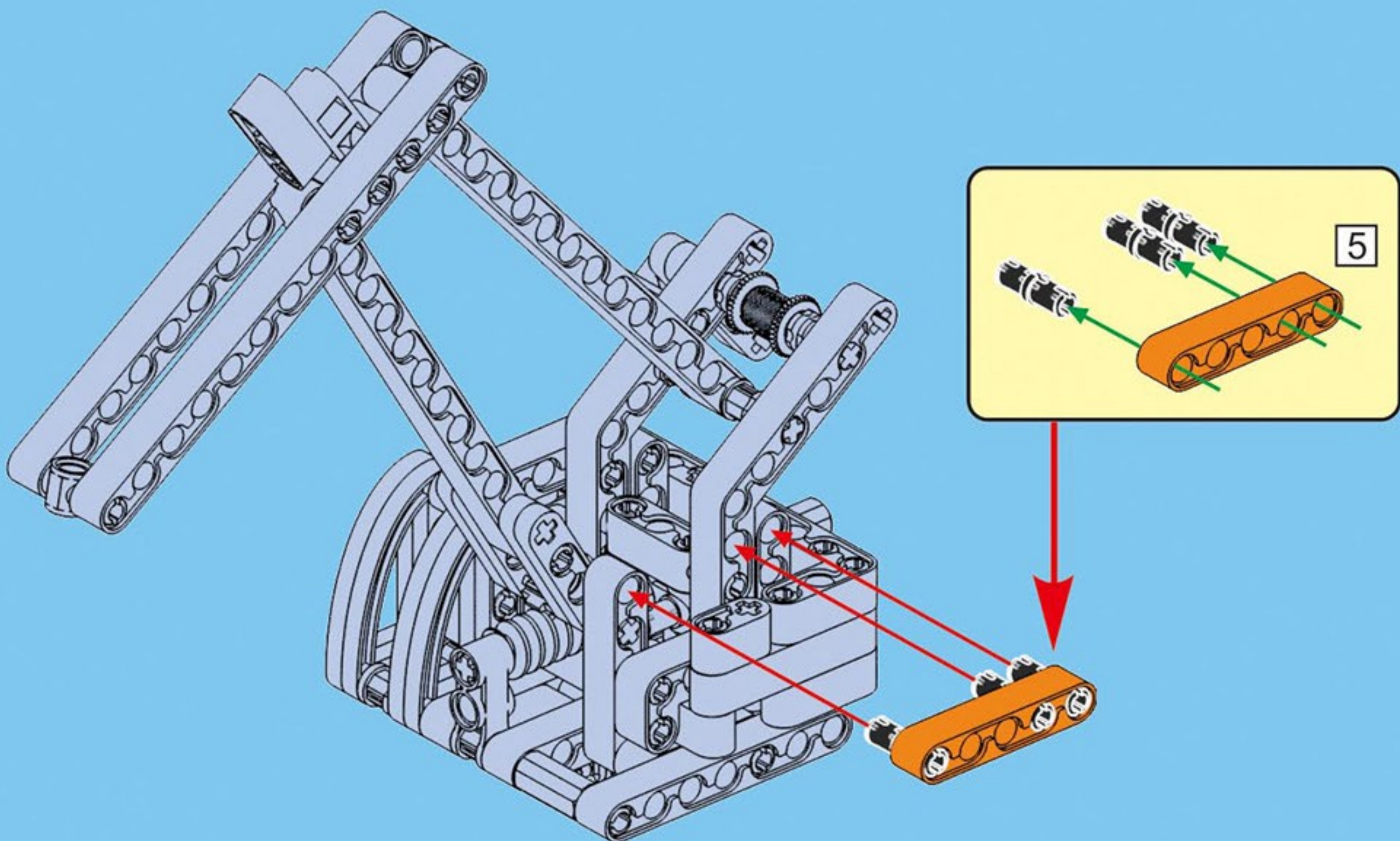


J44

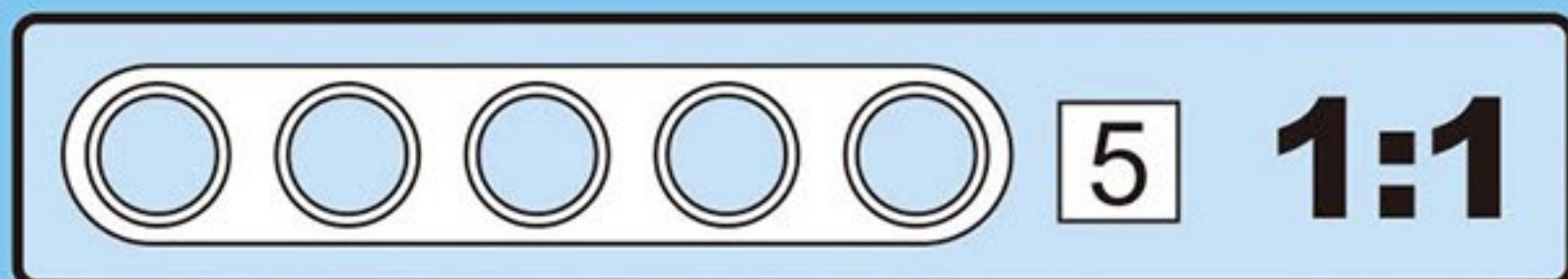
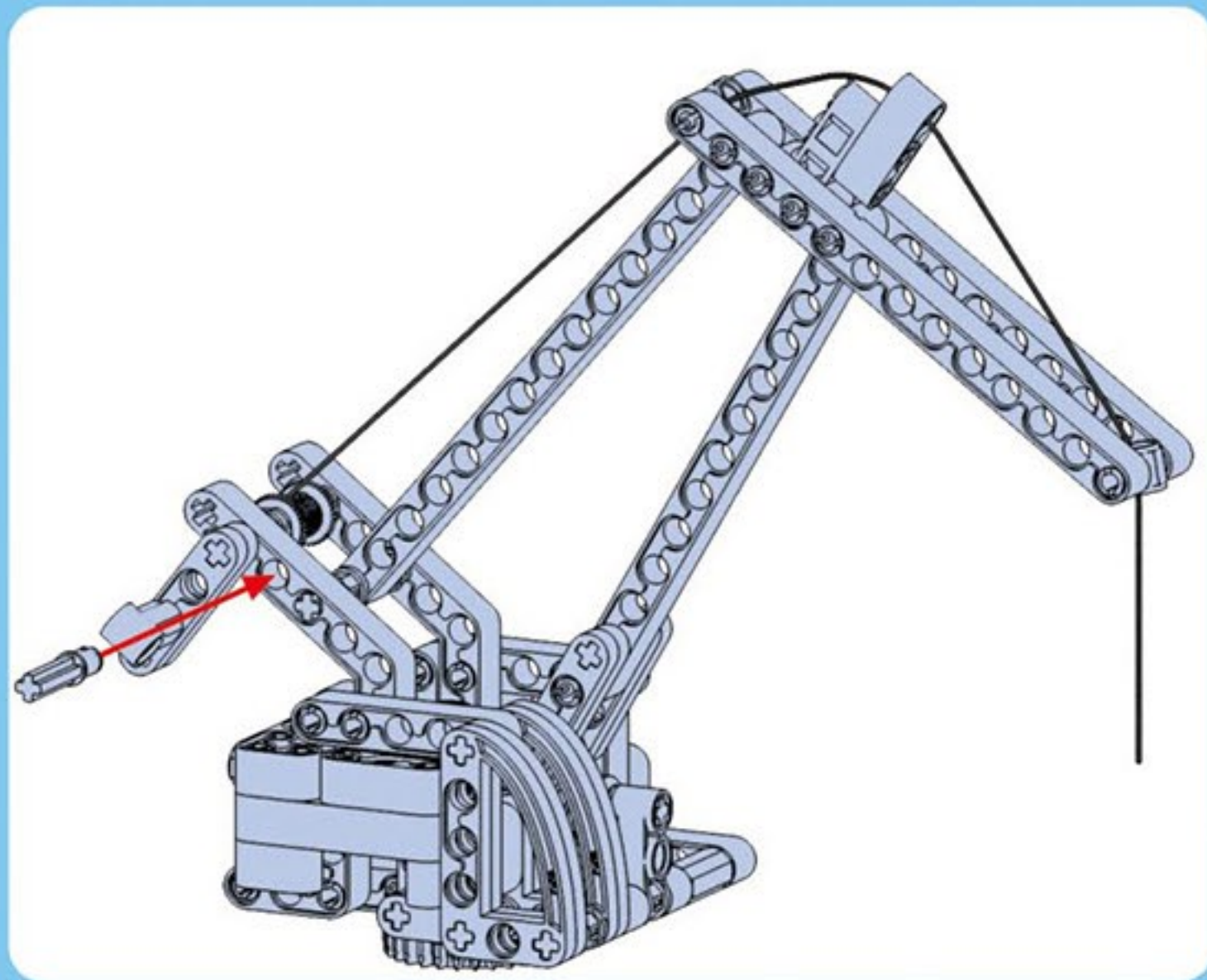
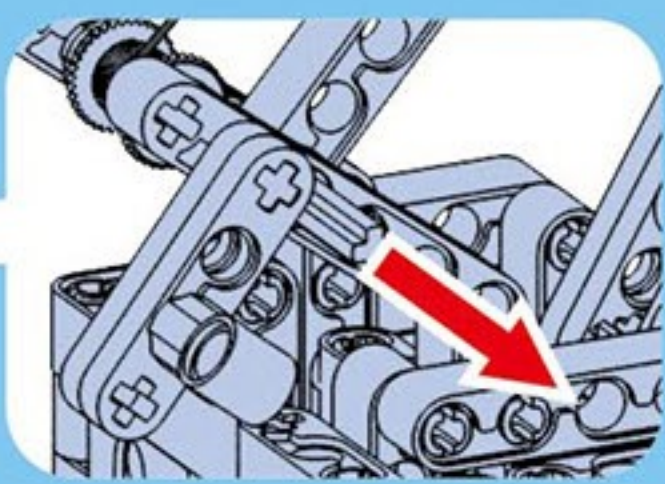
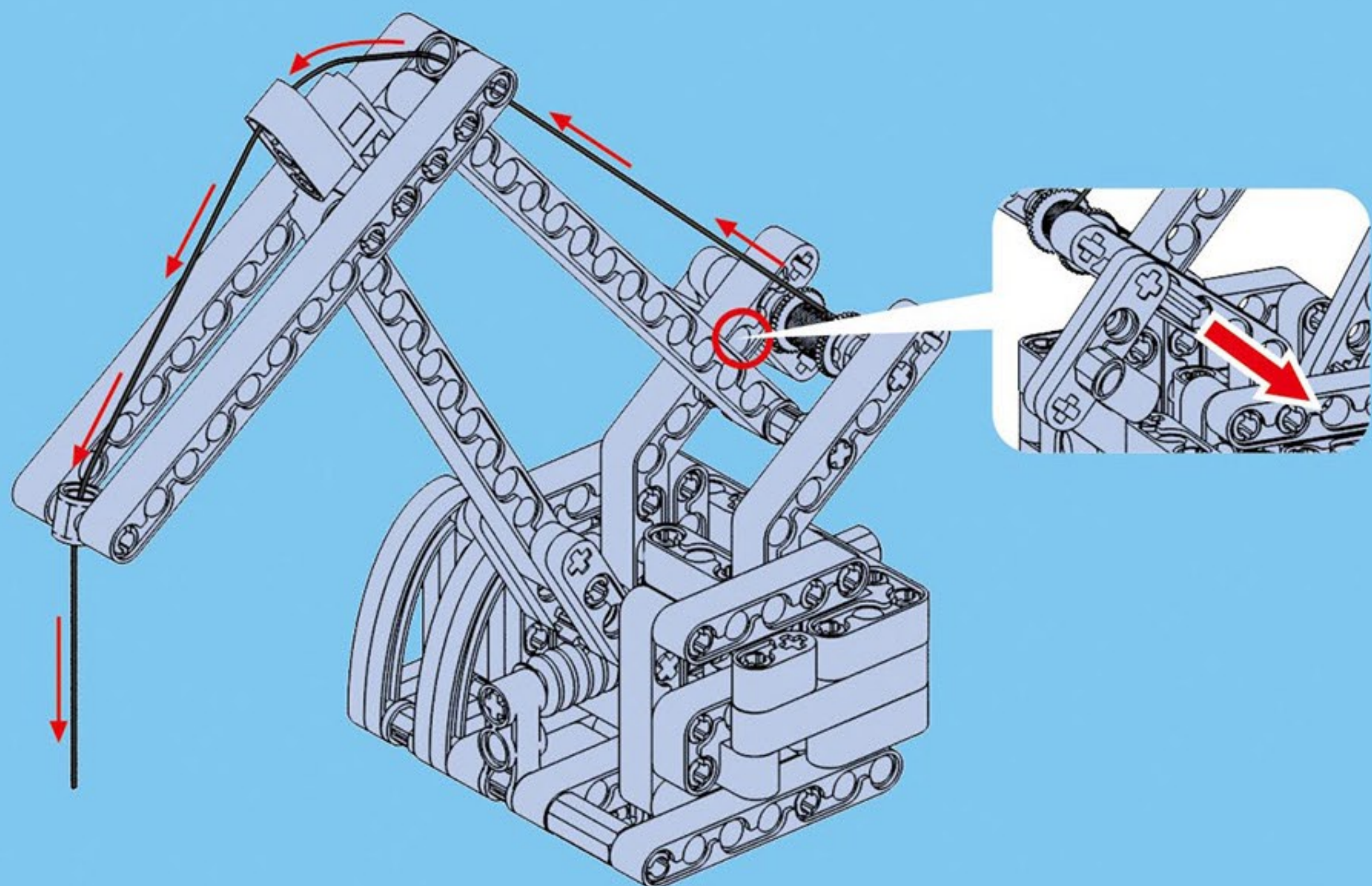


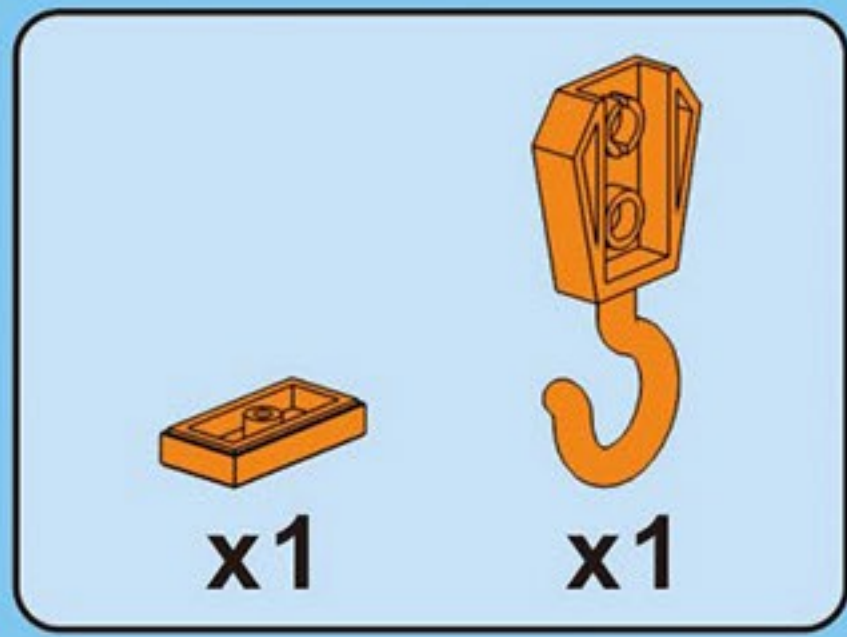


J45

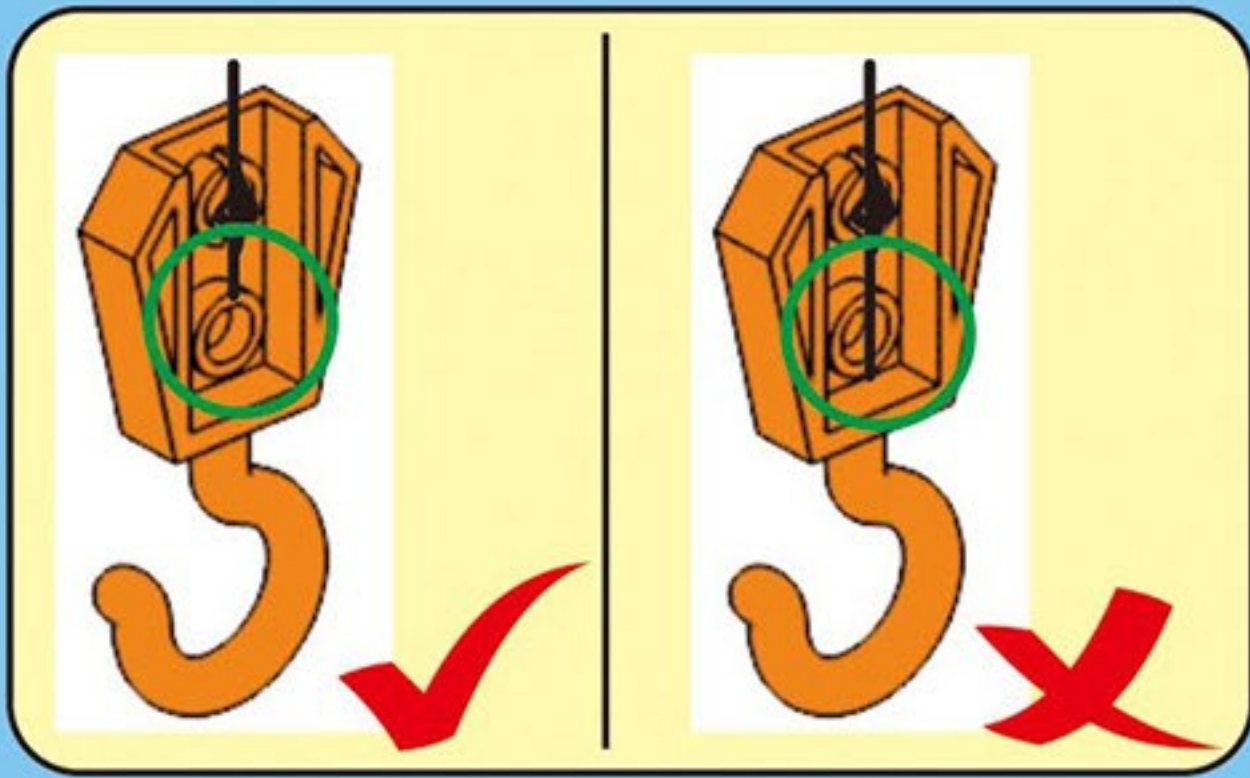
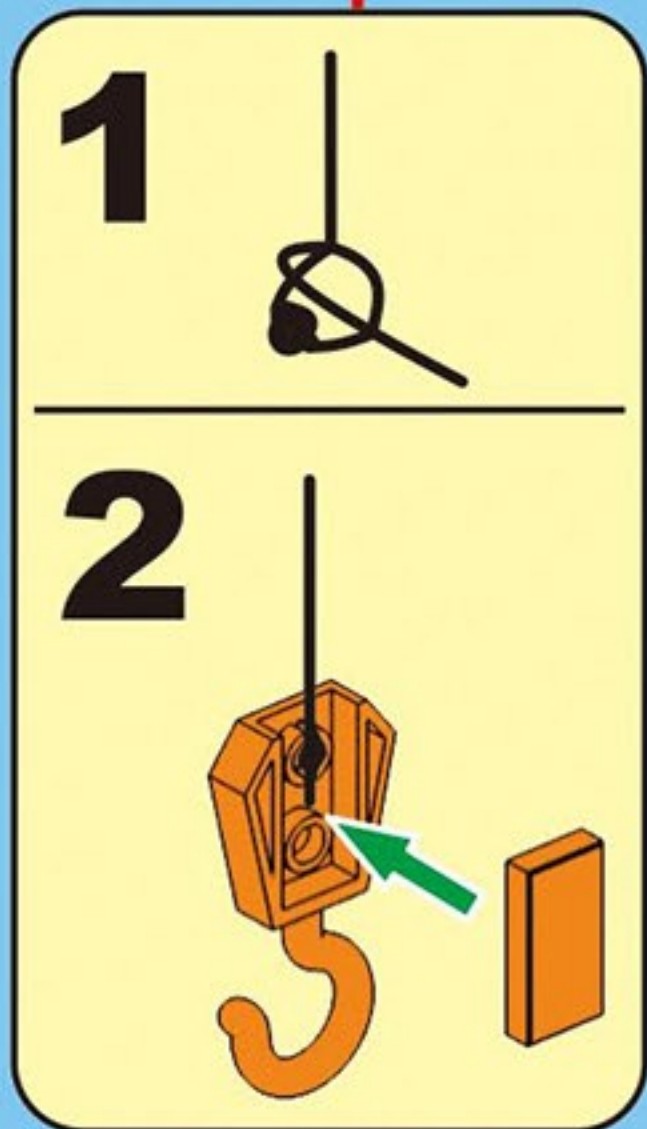
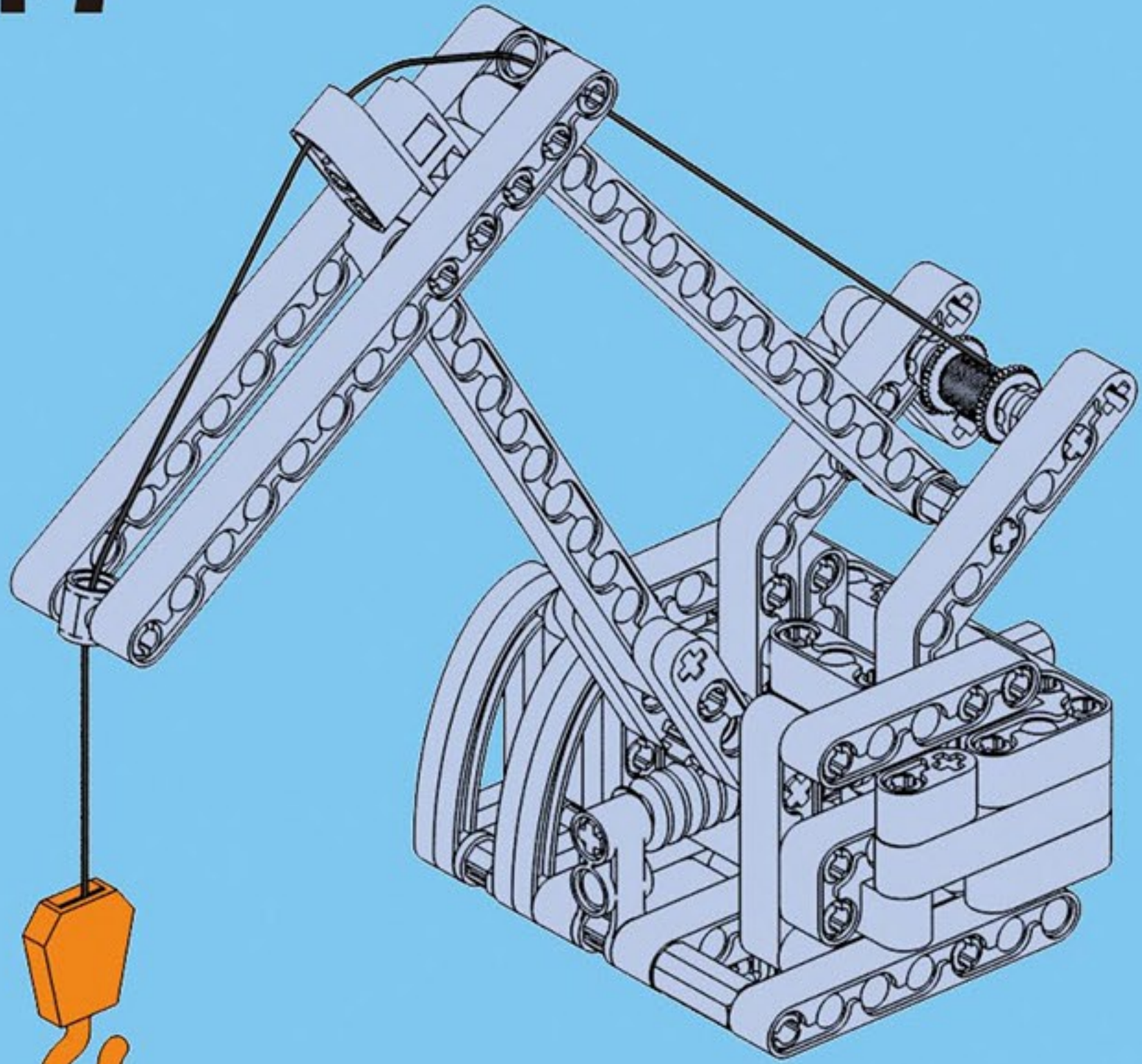


J46

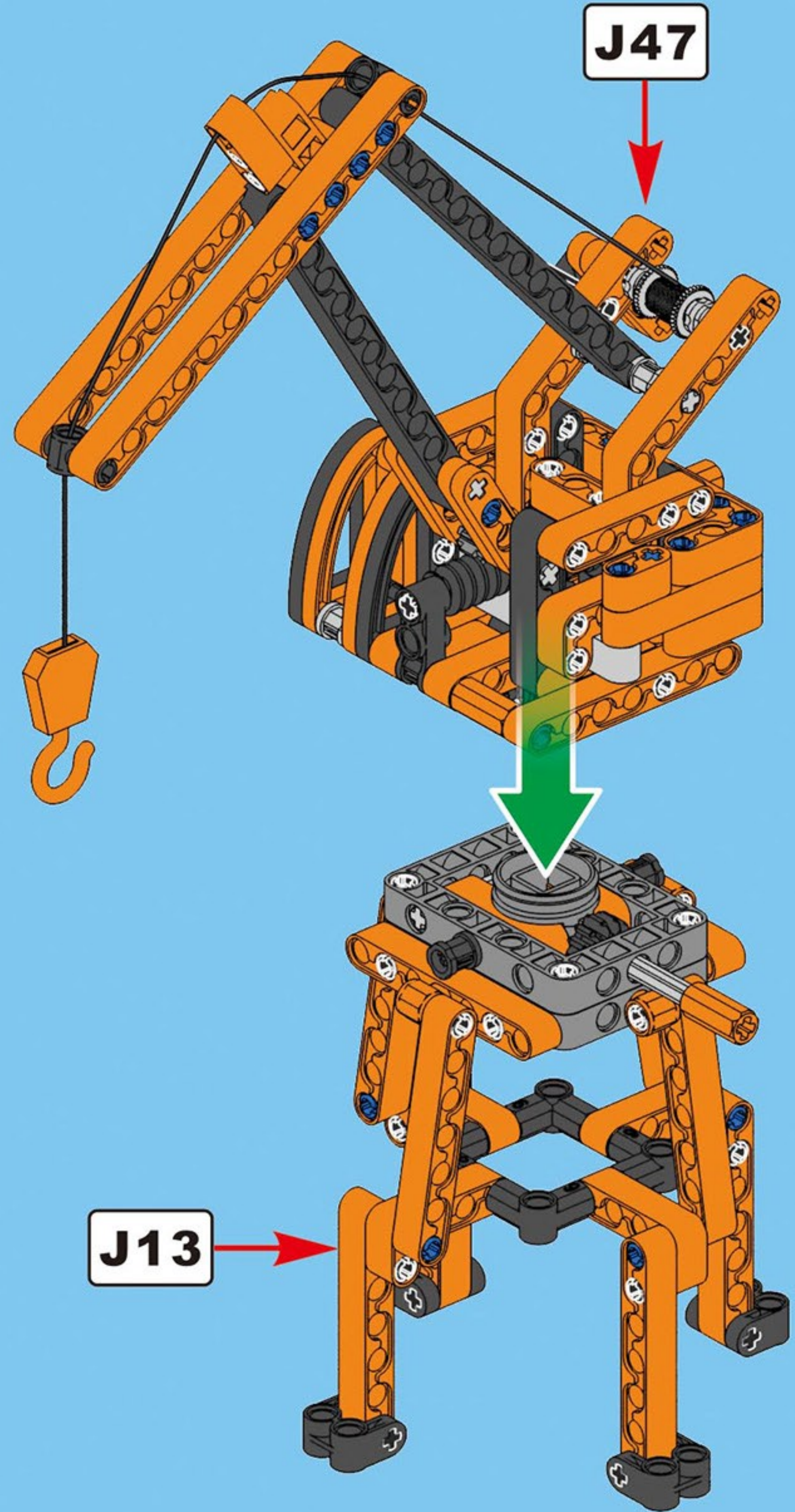


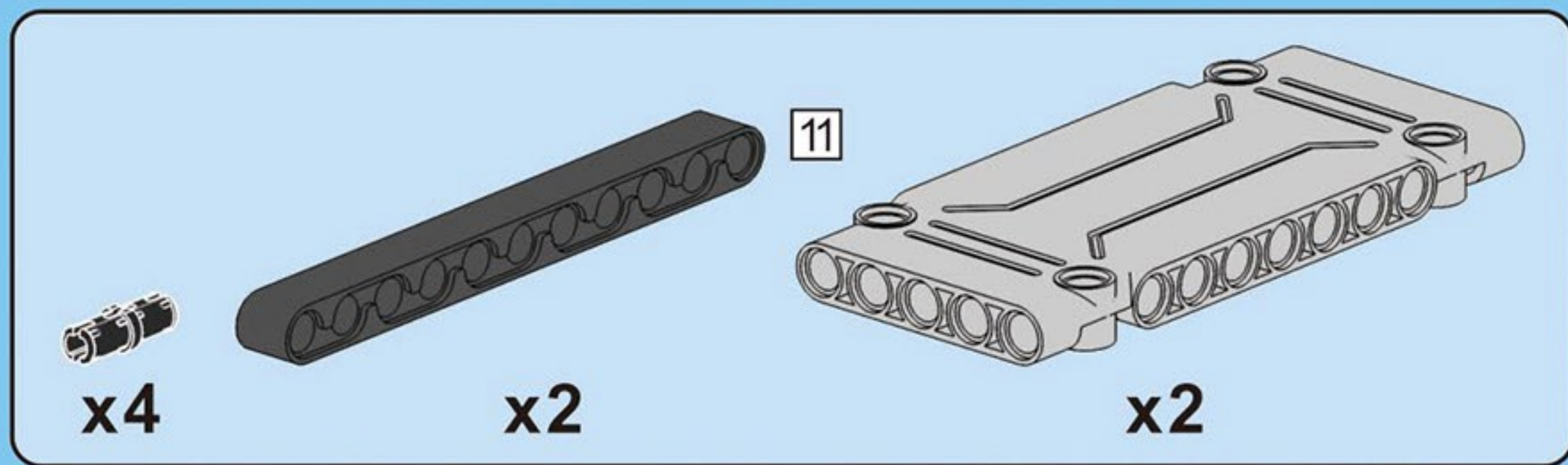


J47

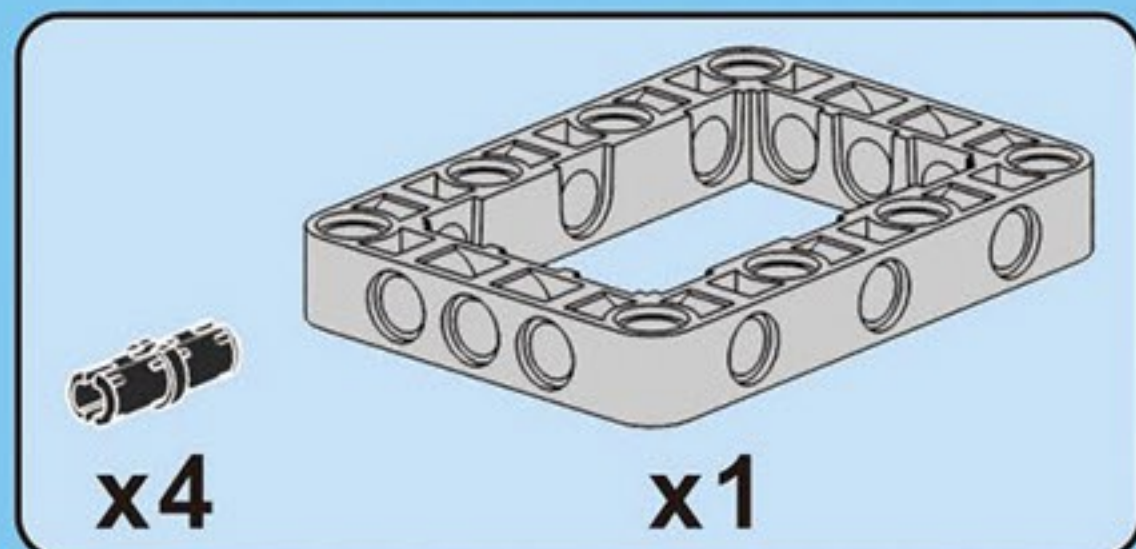
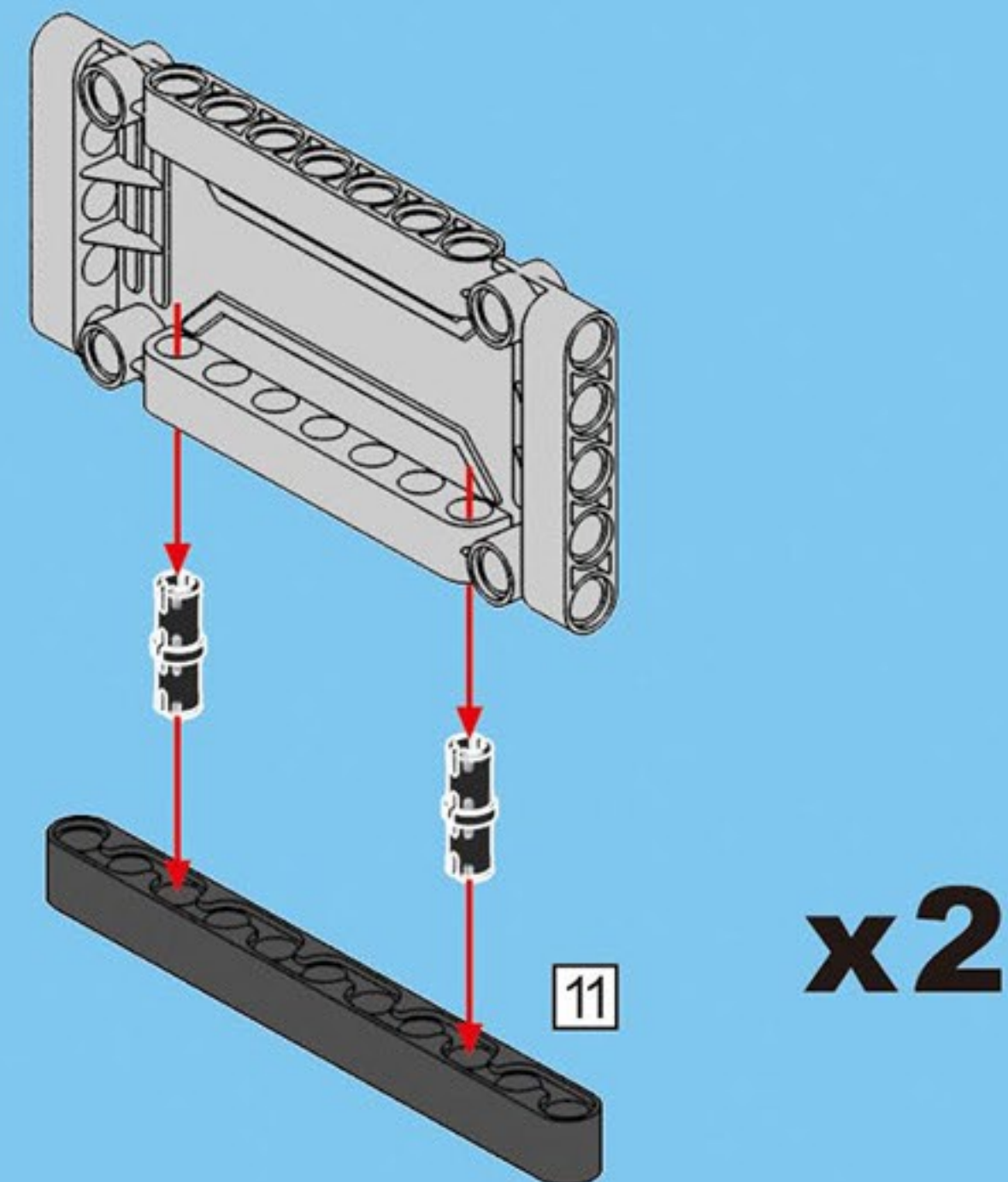


J48

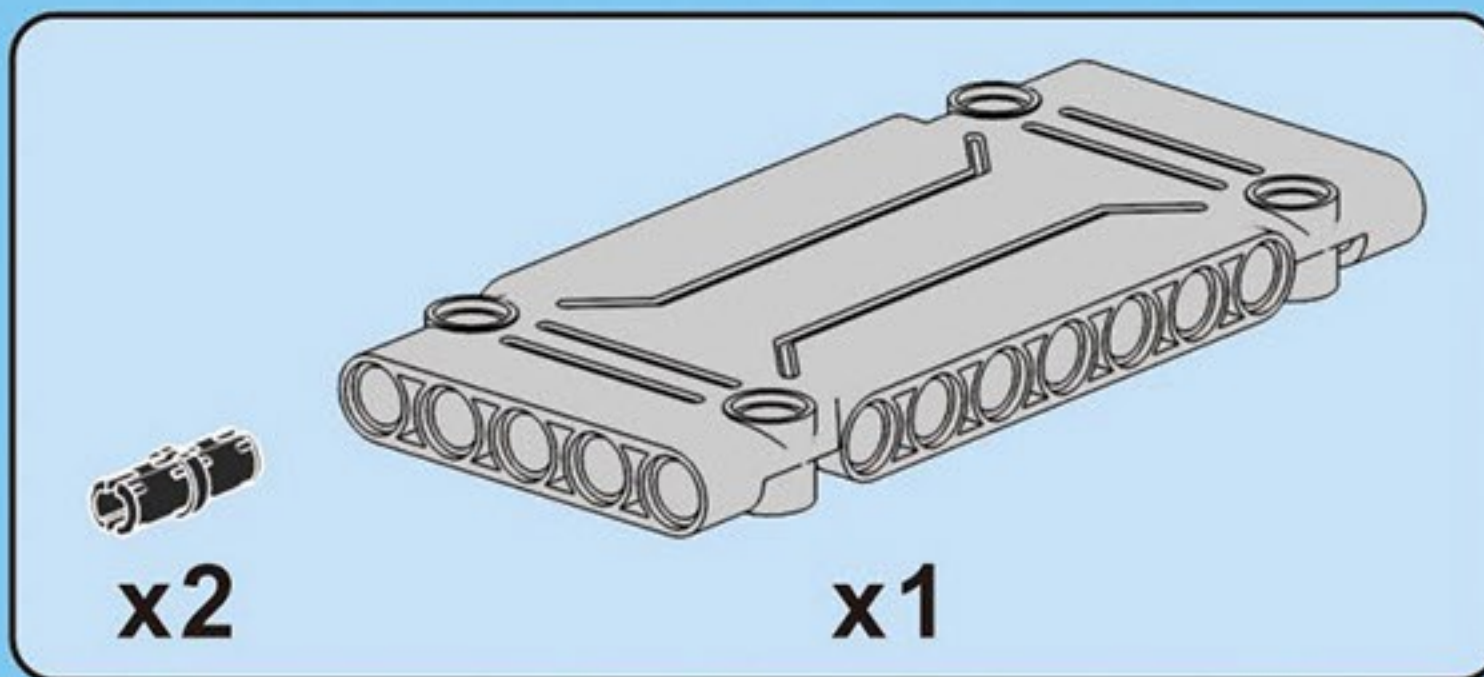
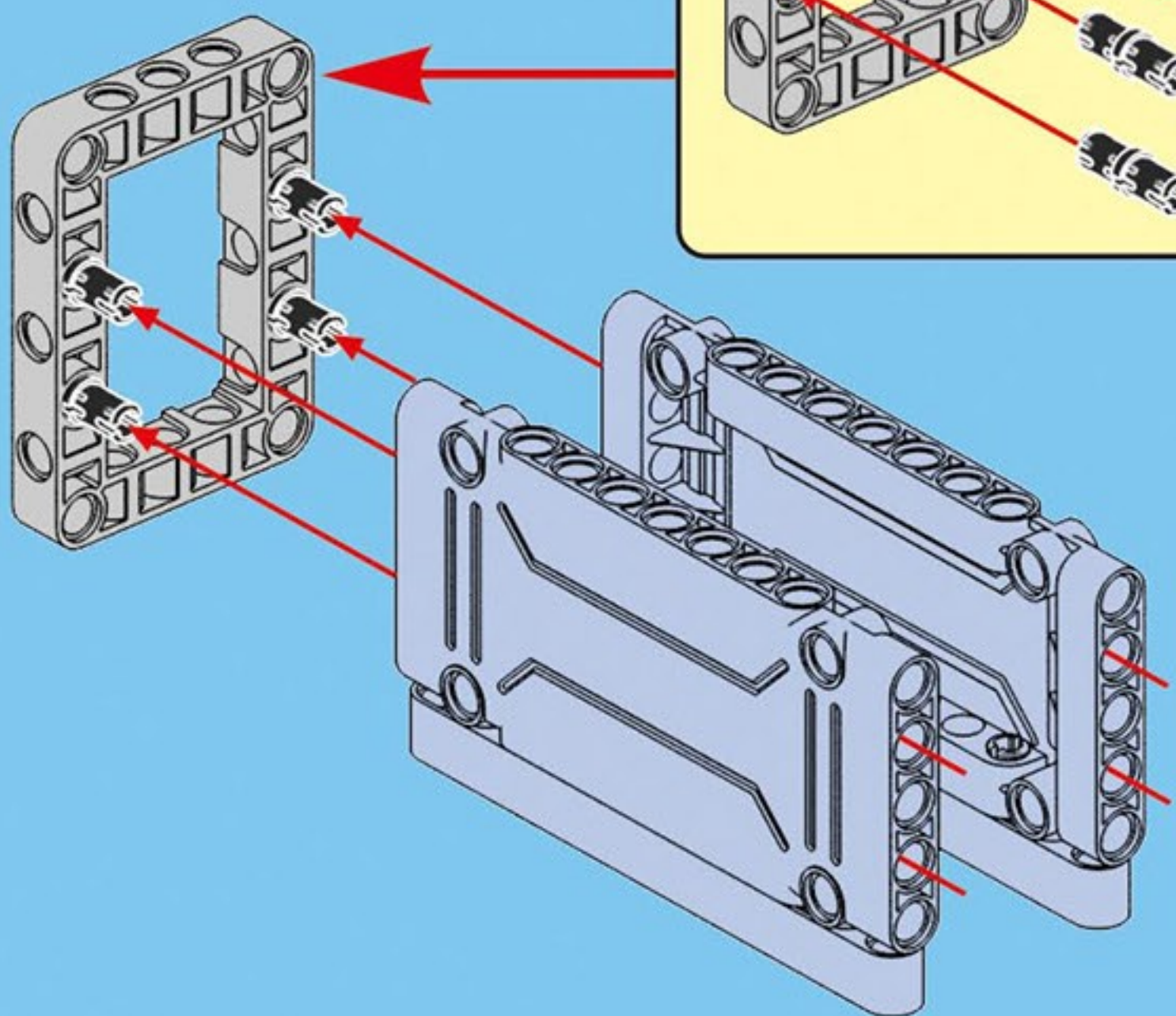
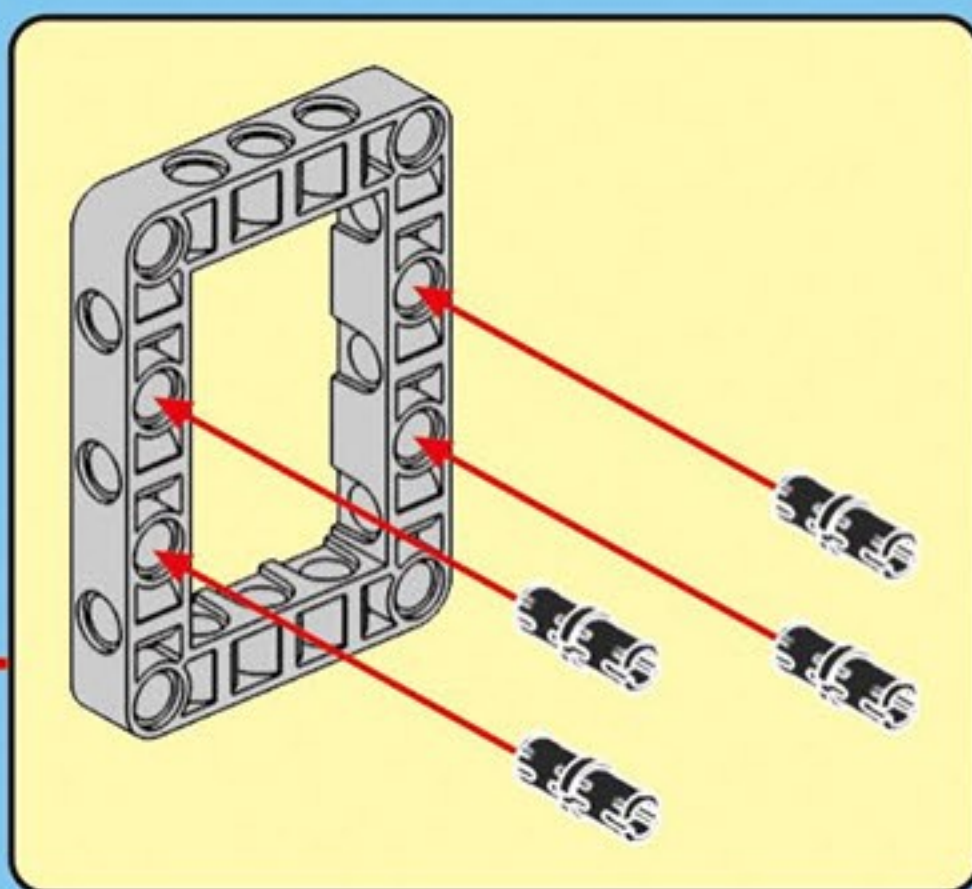




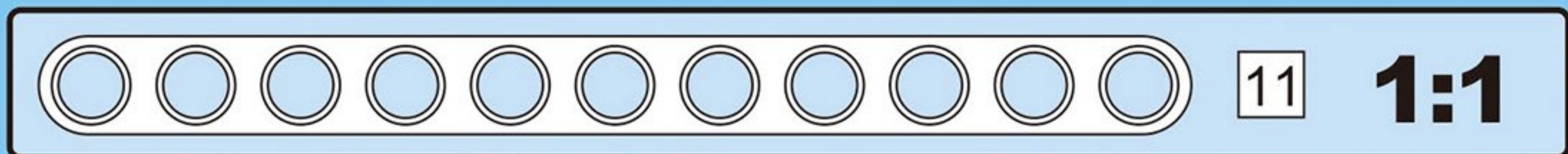
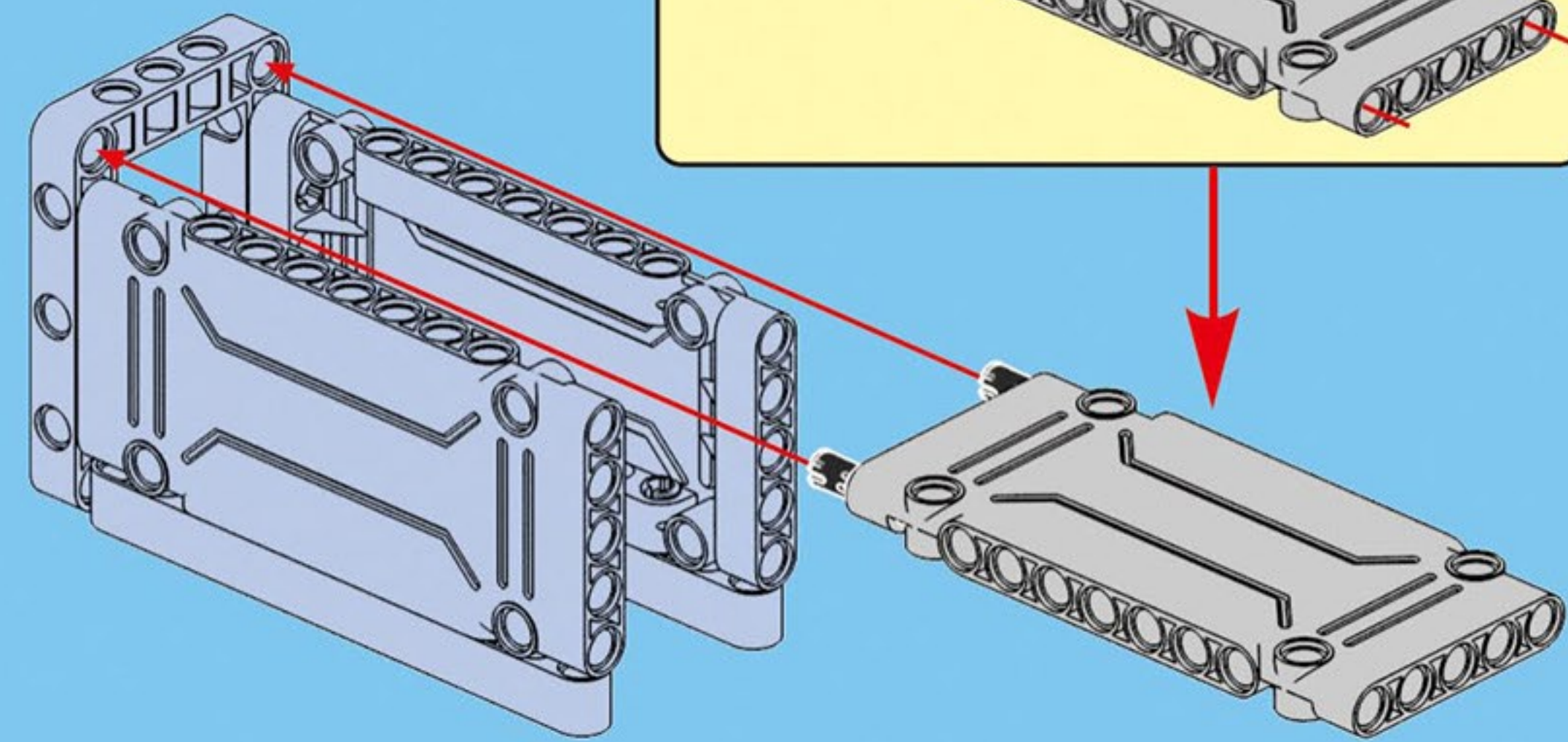
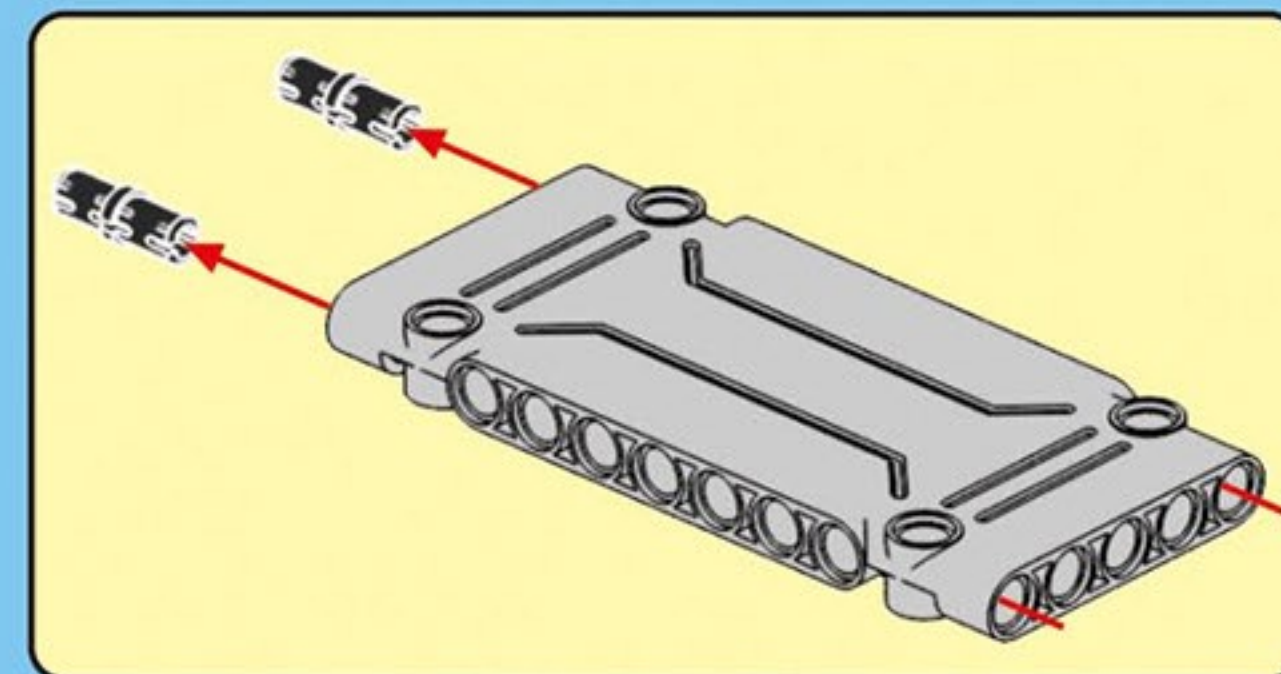
J49

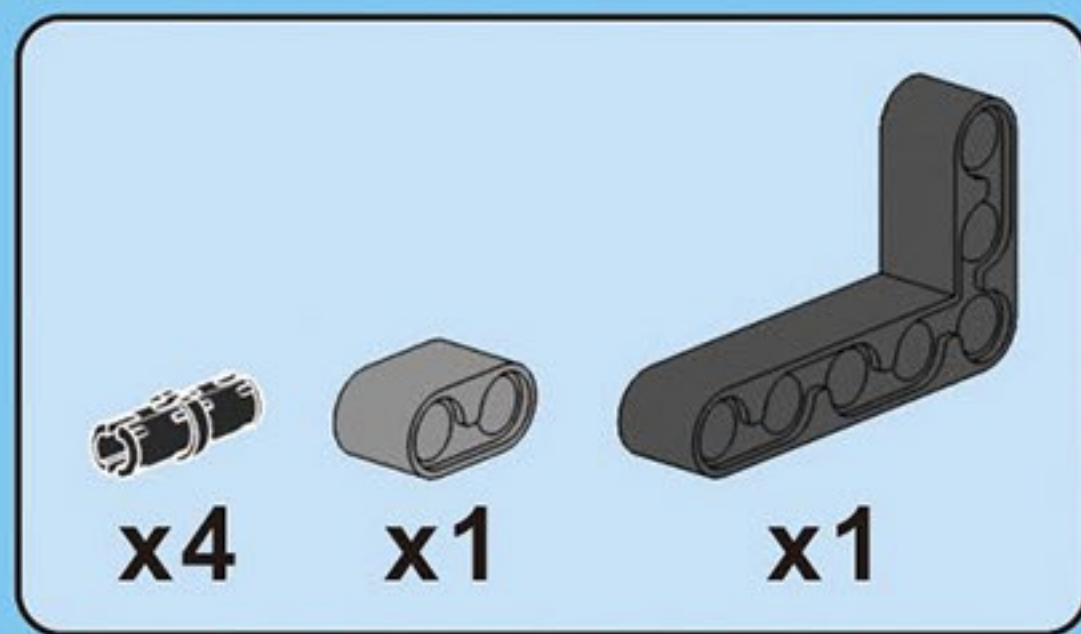


J50

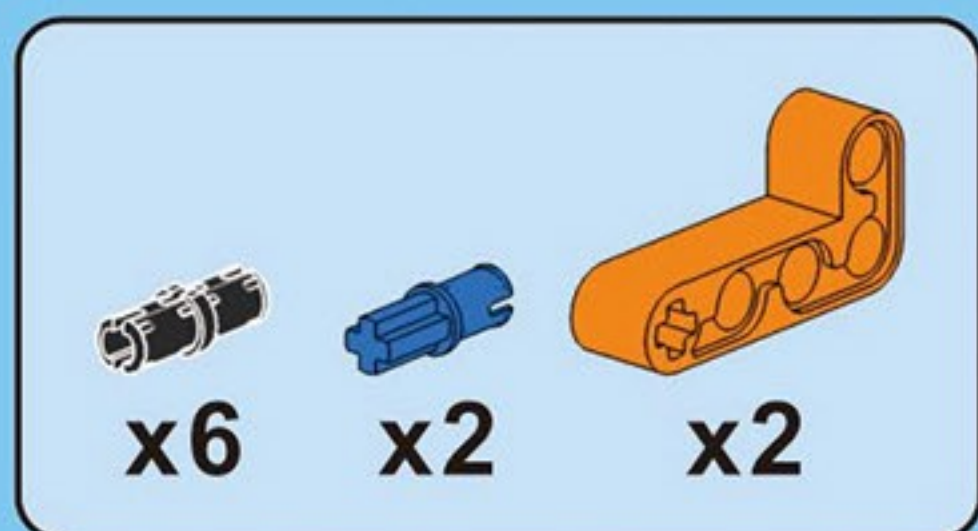
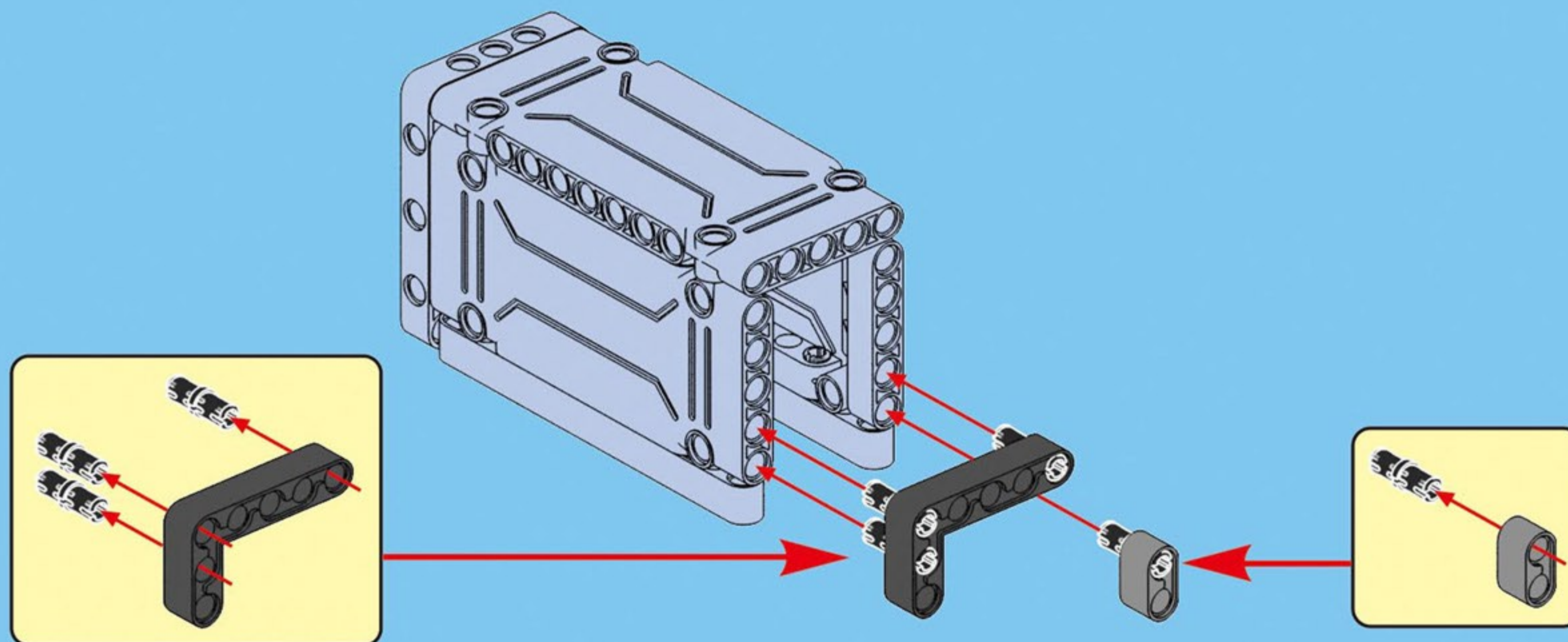


J51

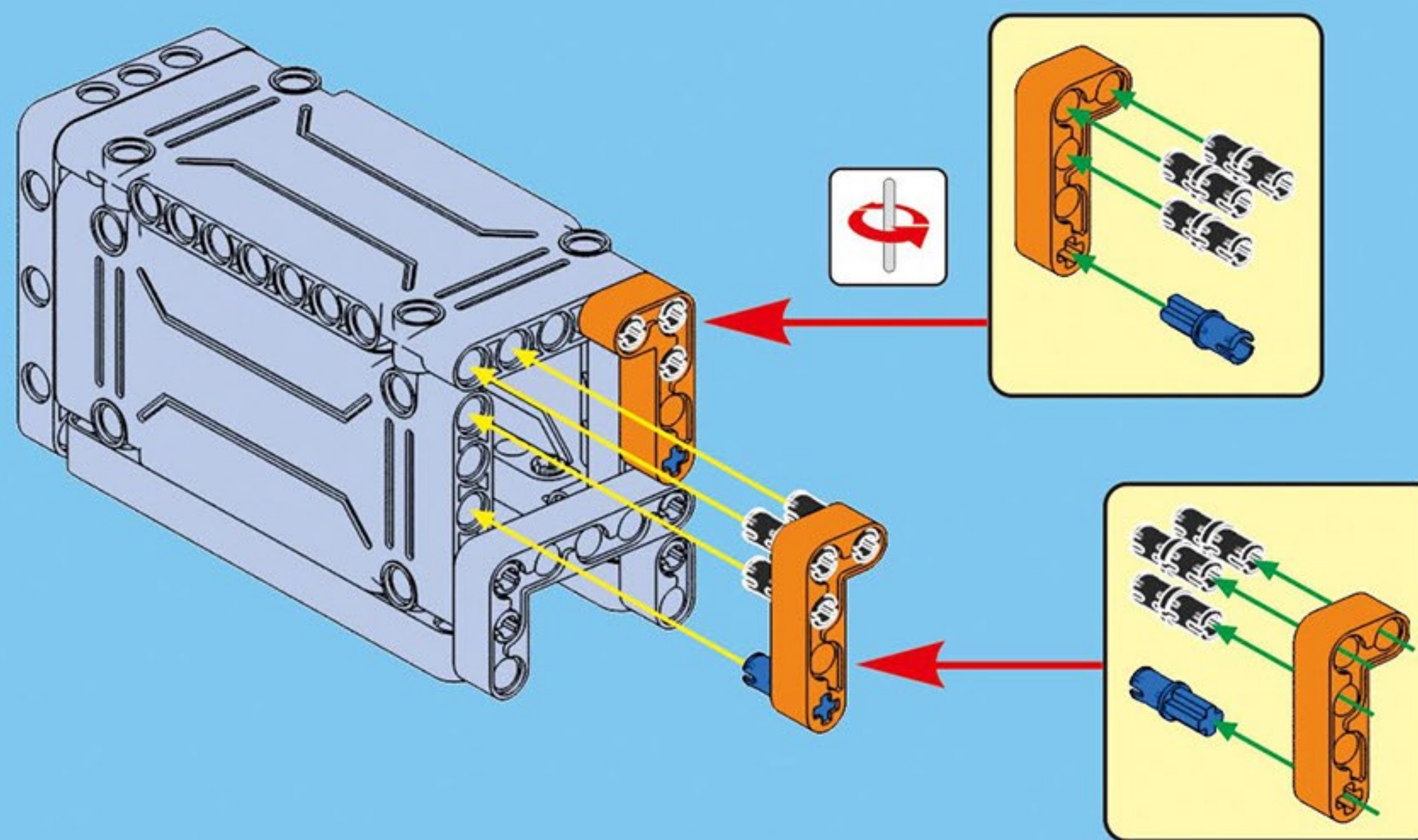




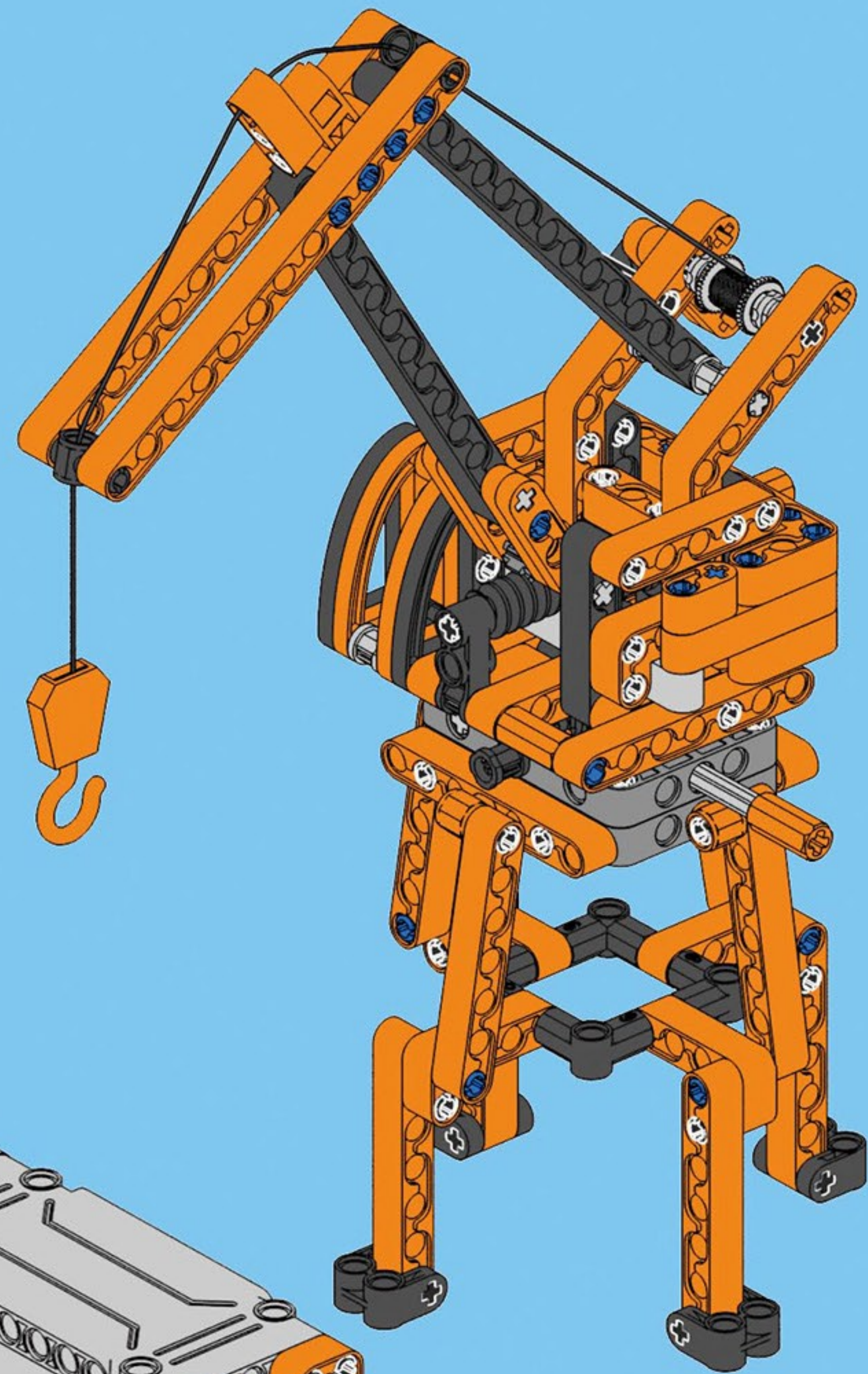
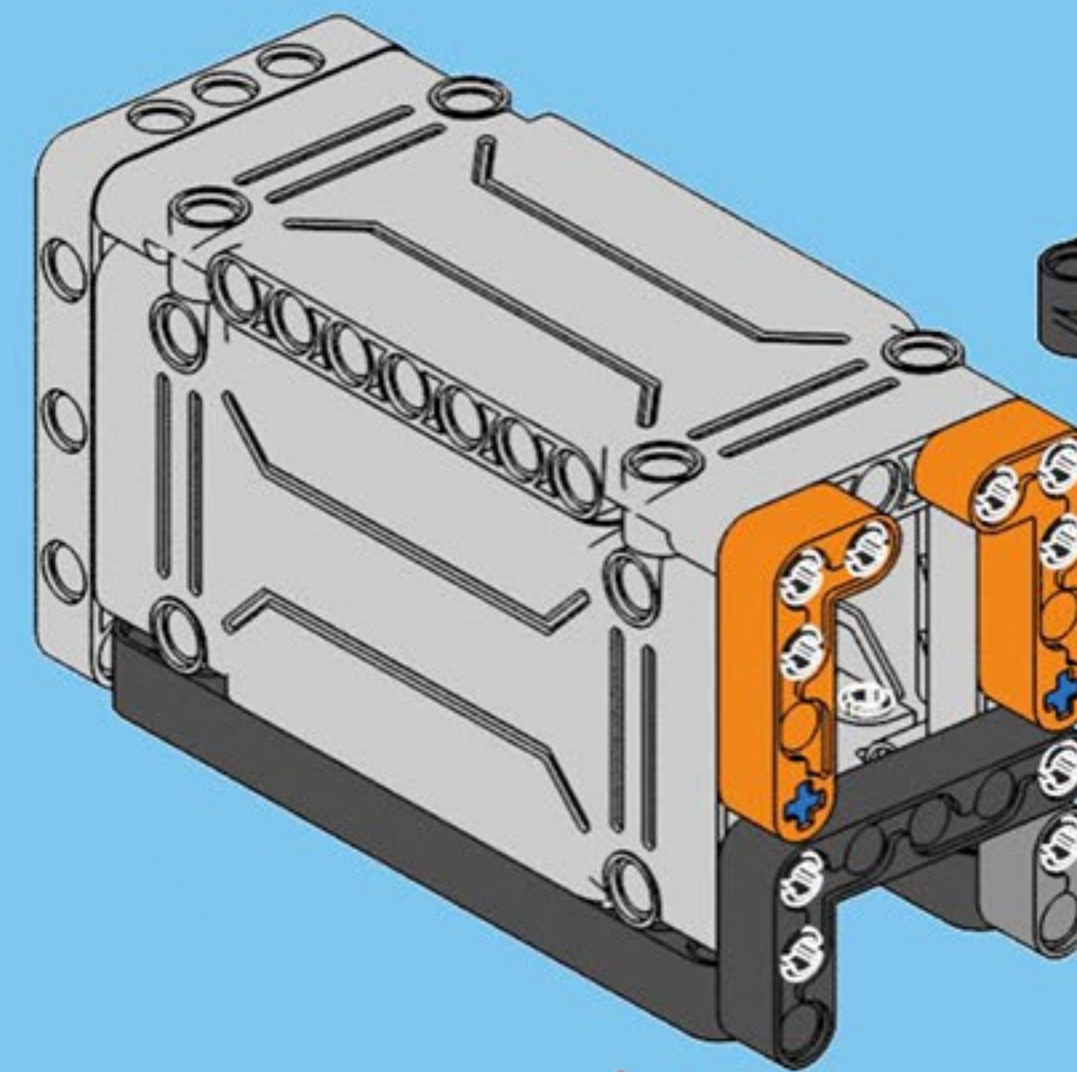
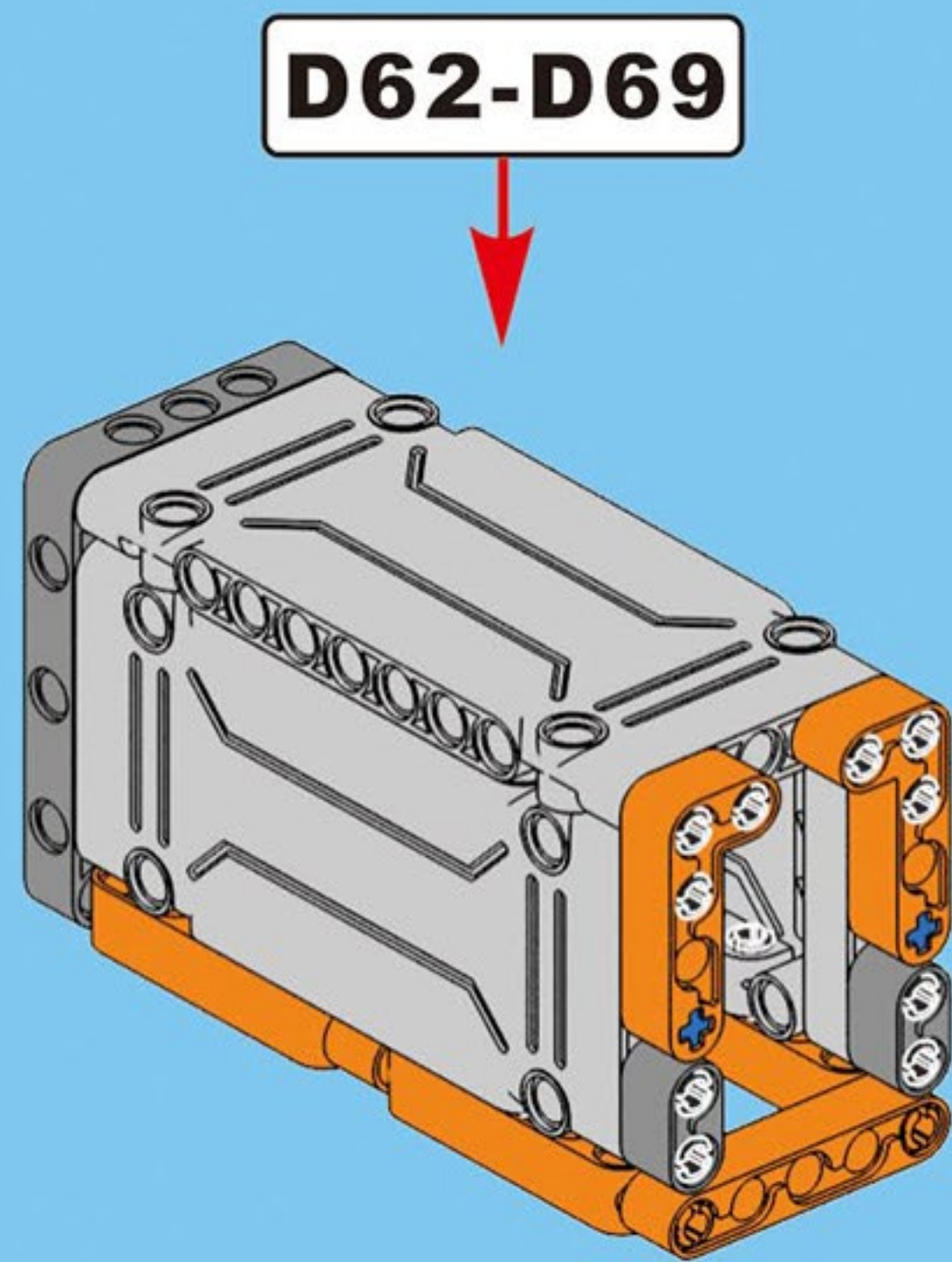
J52

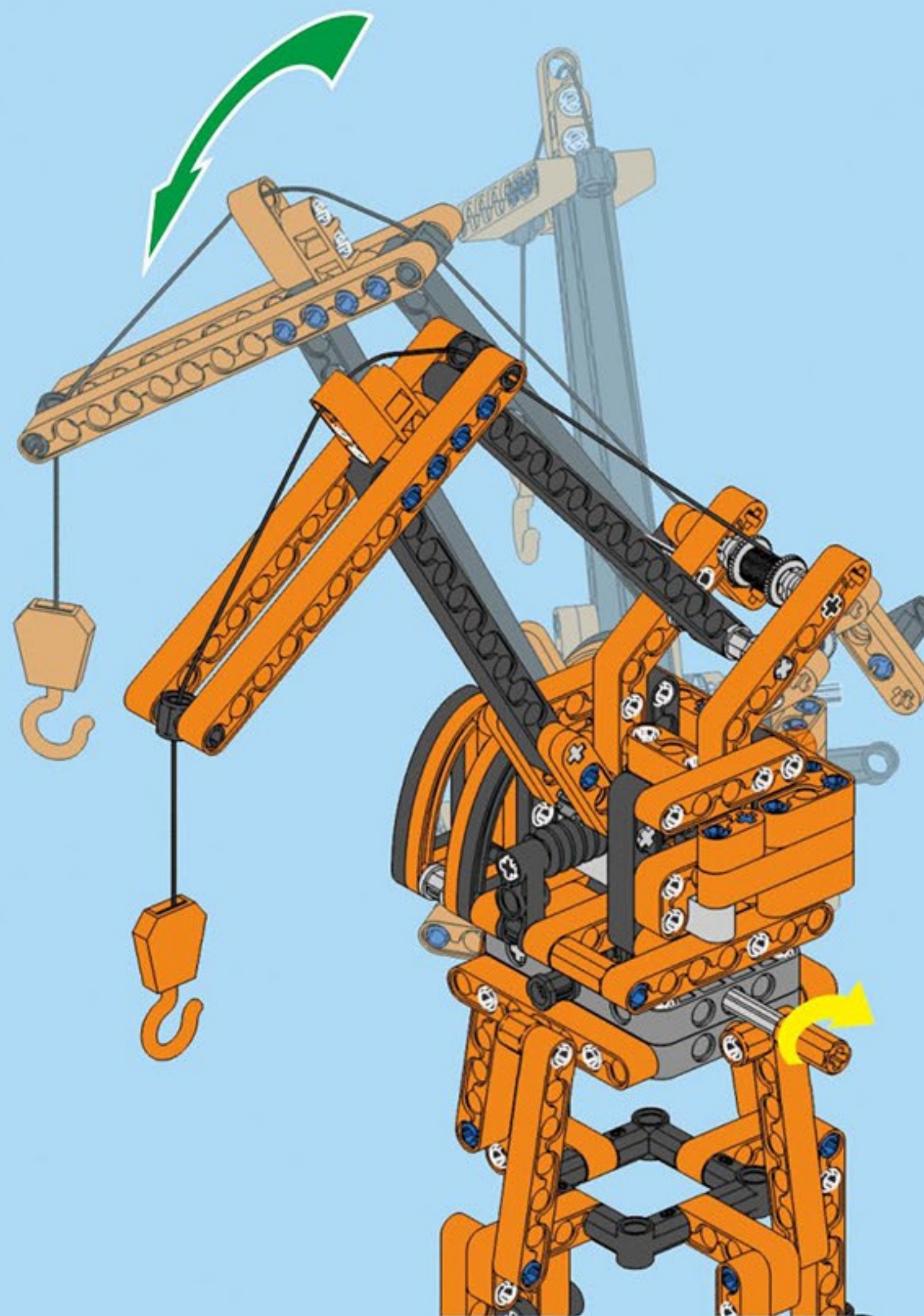
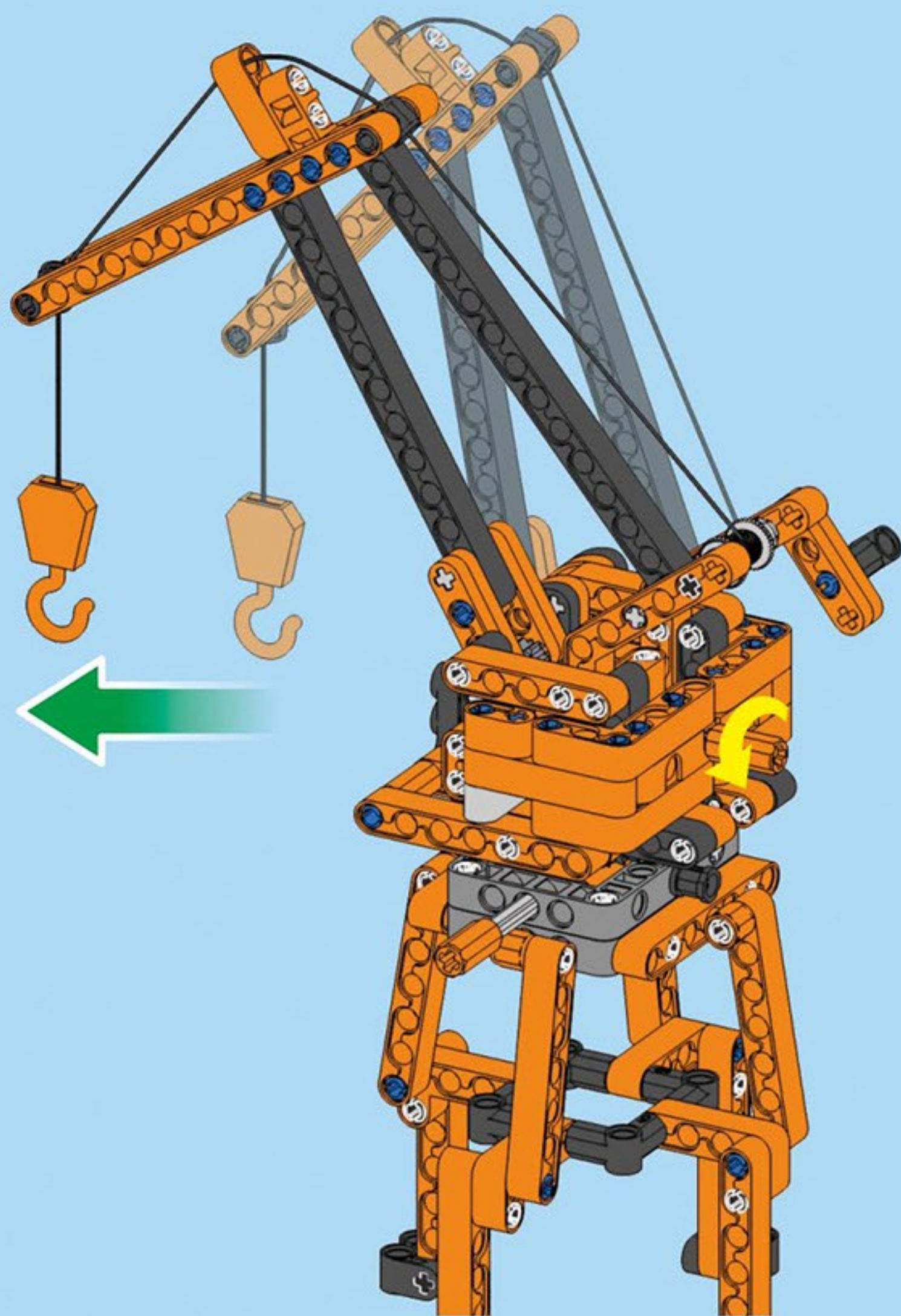
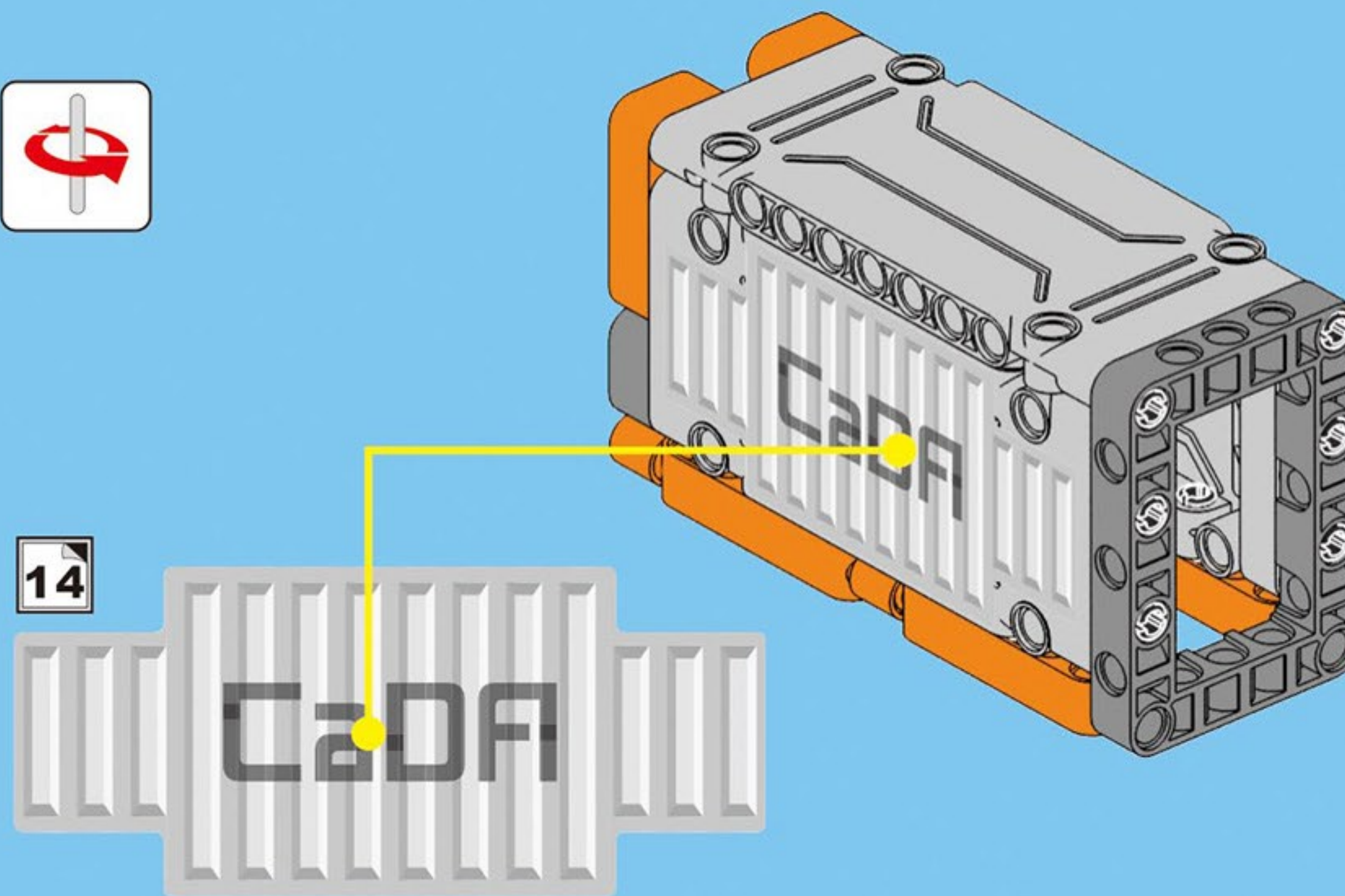
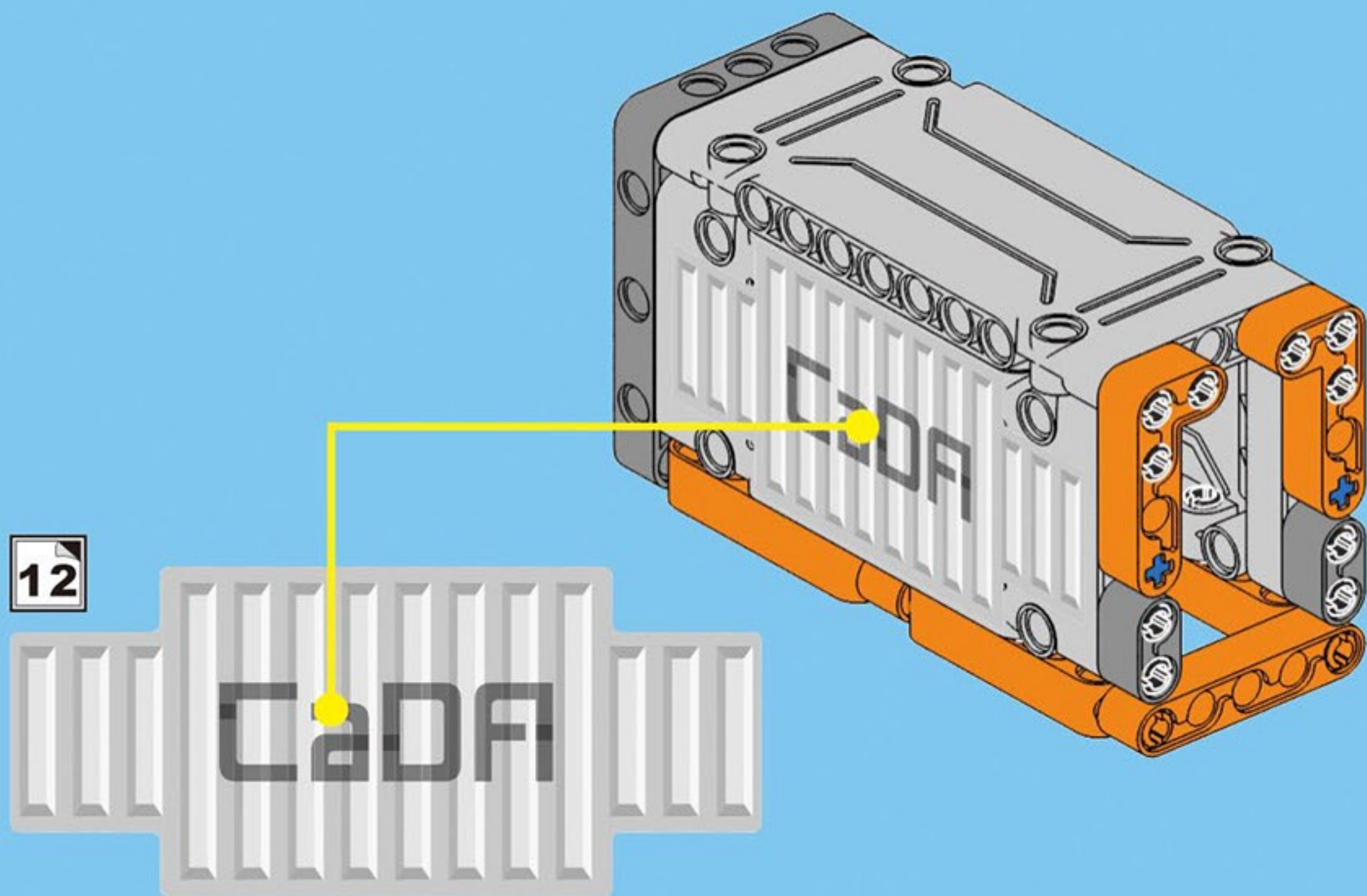


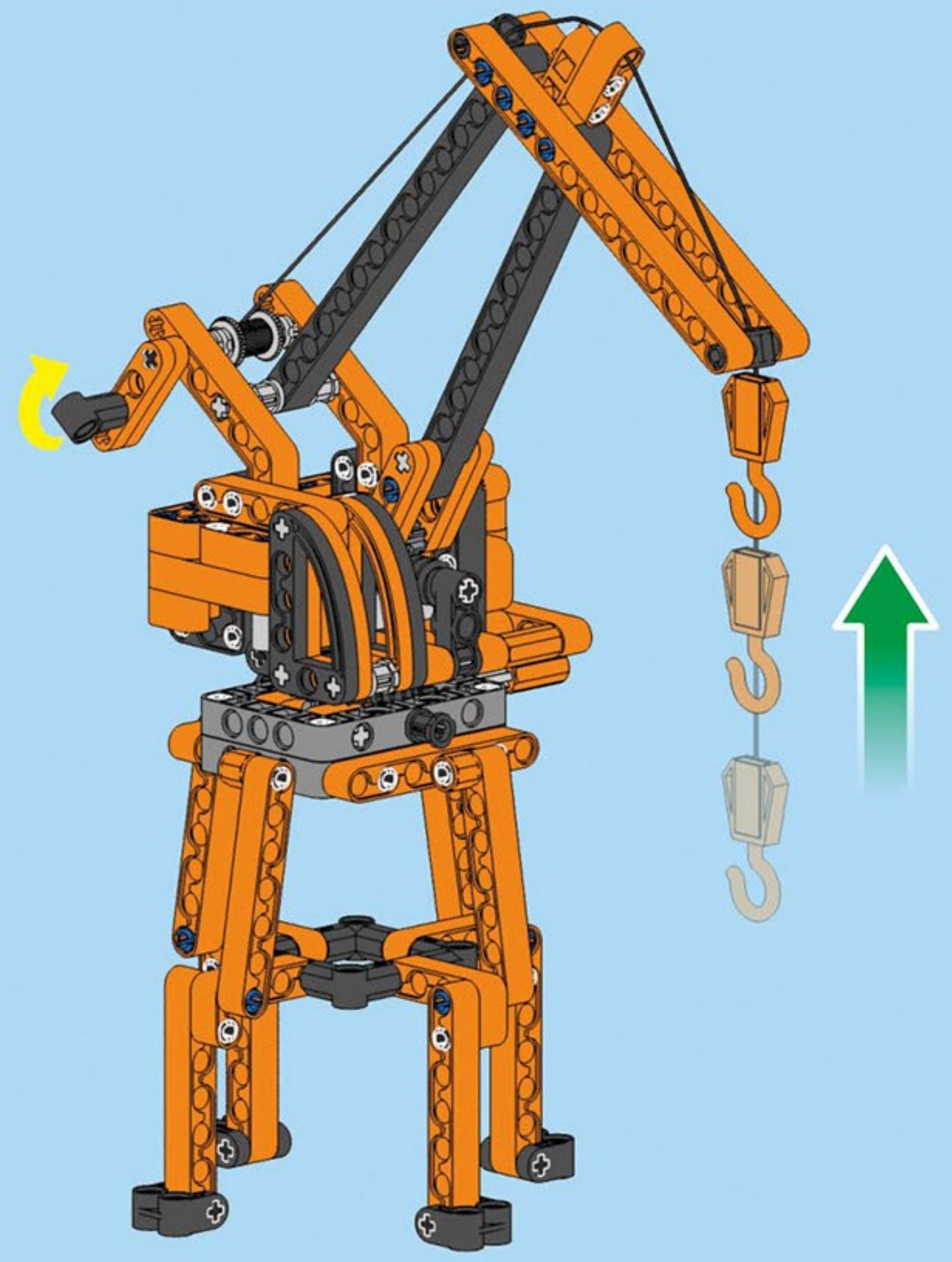
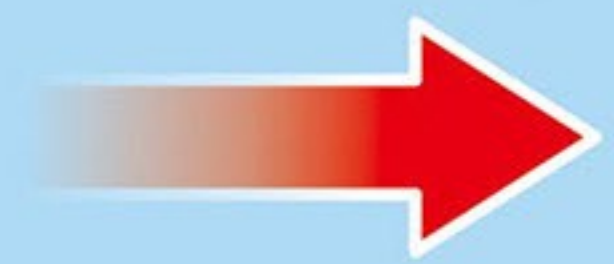
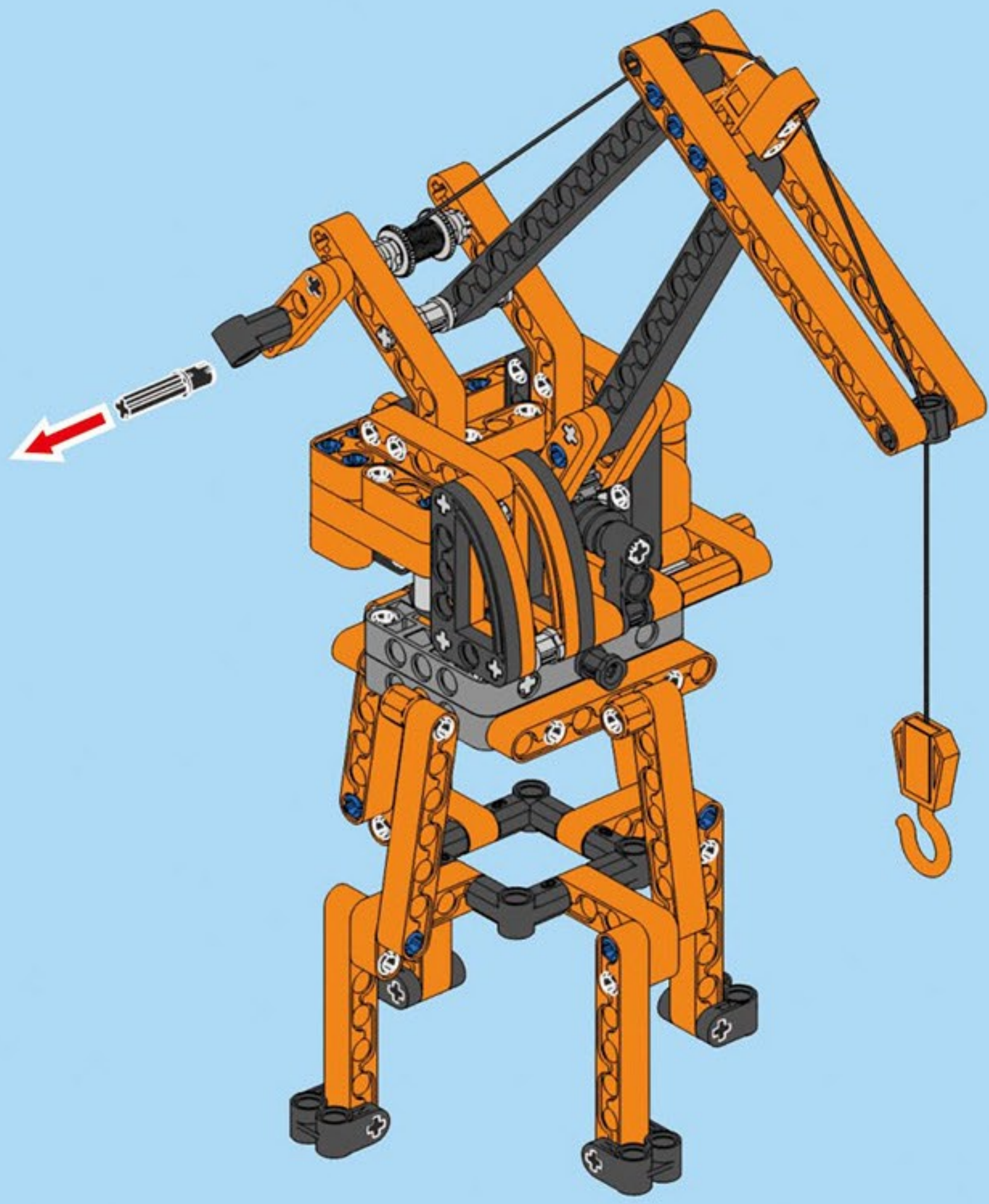
J53



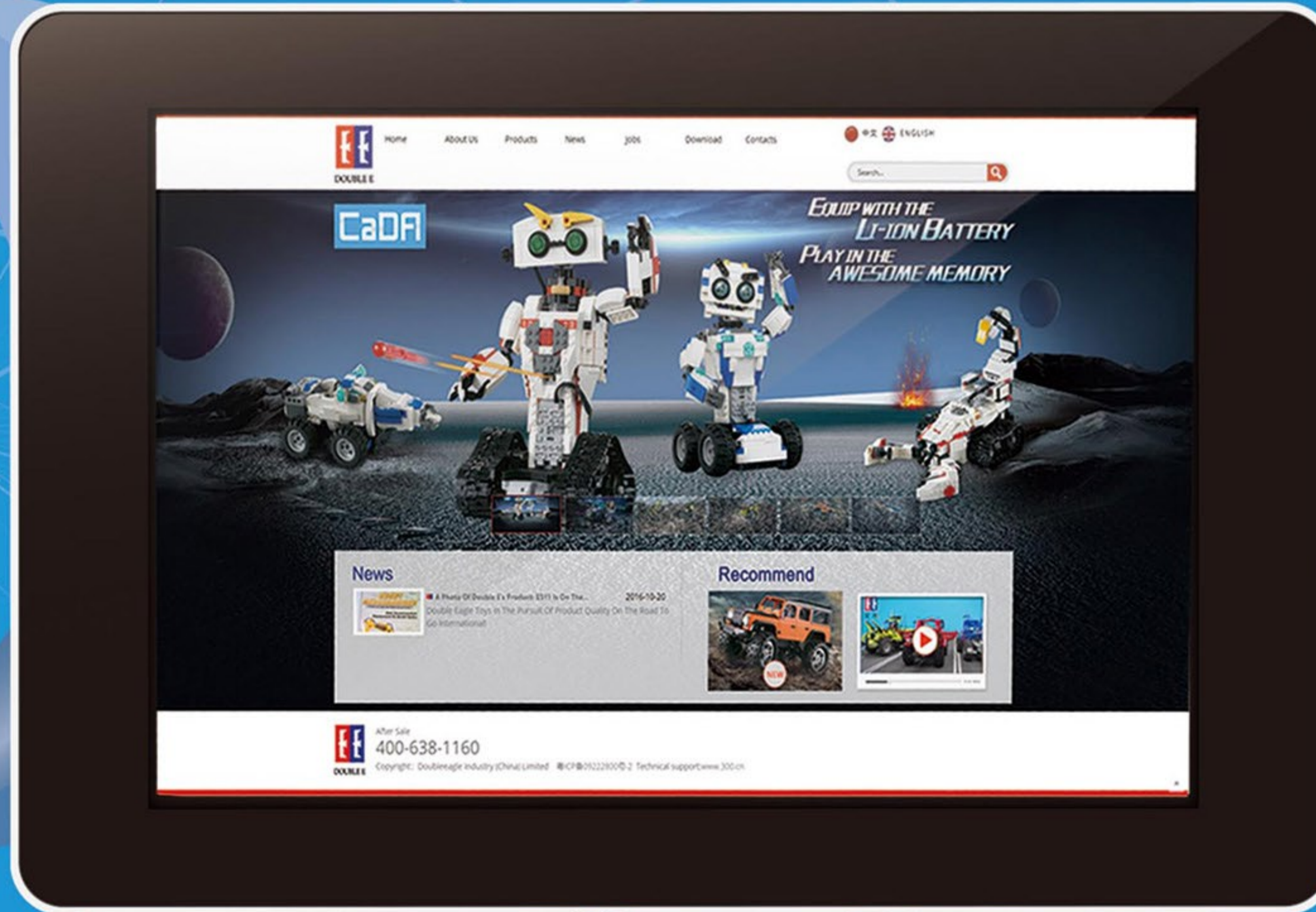
J54







CaDA



www.doubleeagle.cc



C51017



C51057



C51058

