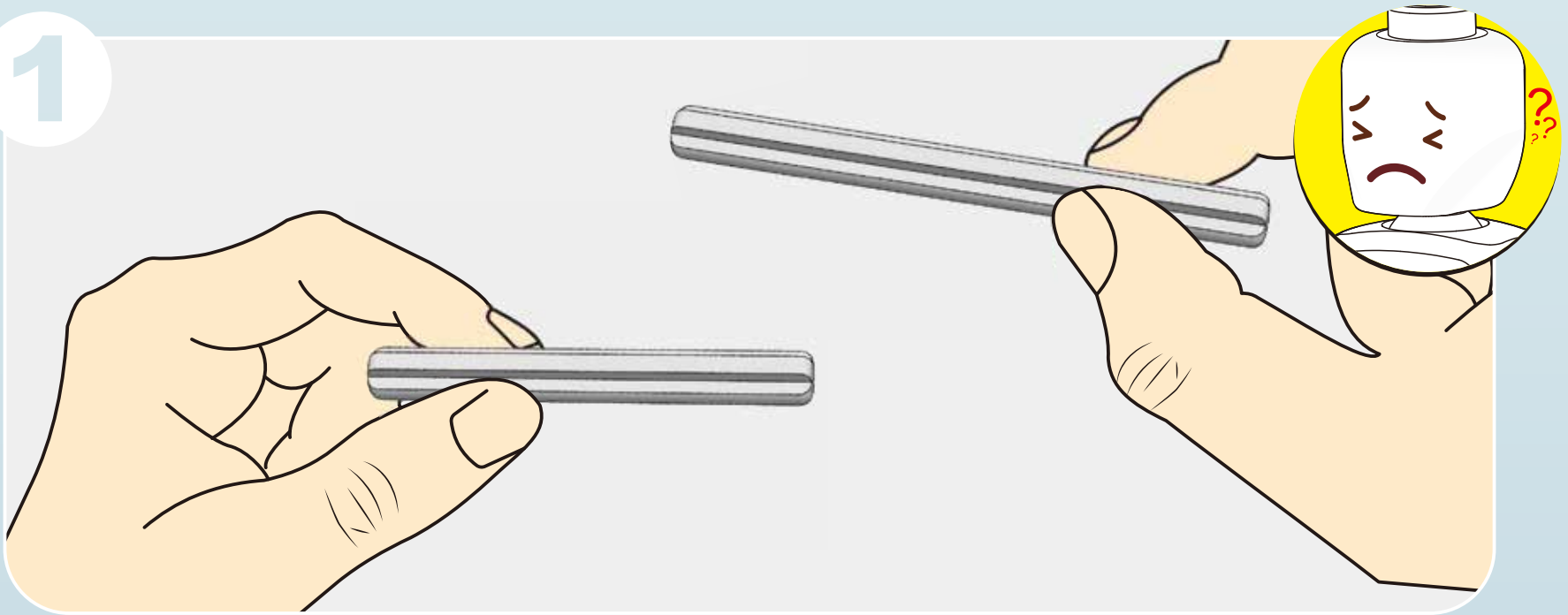


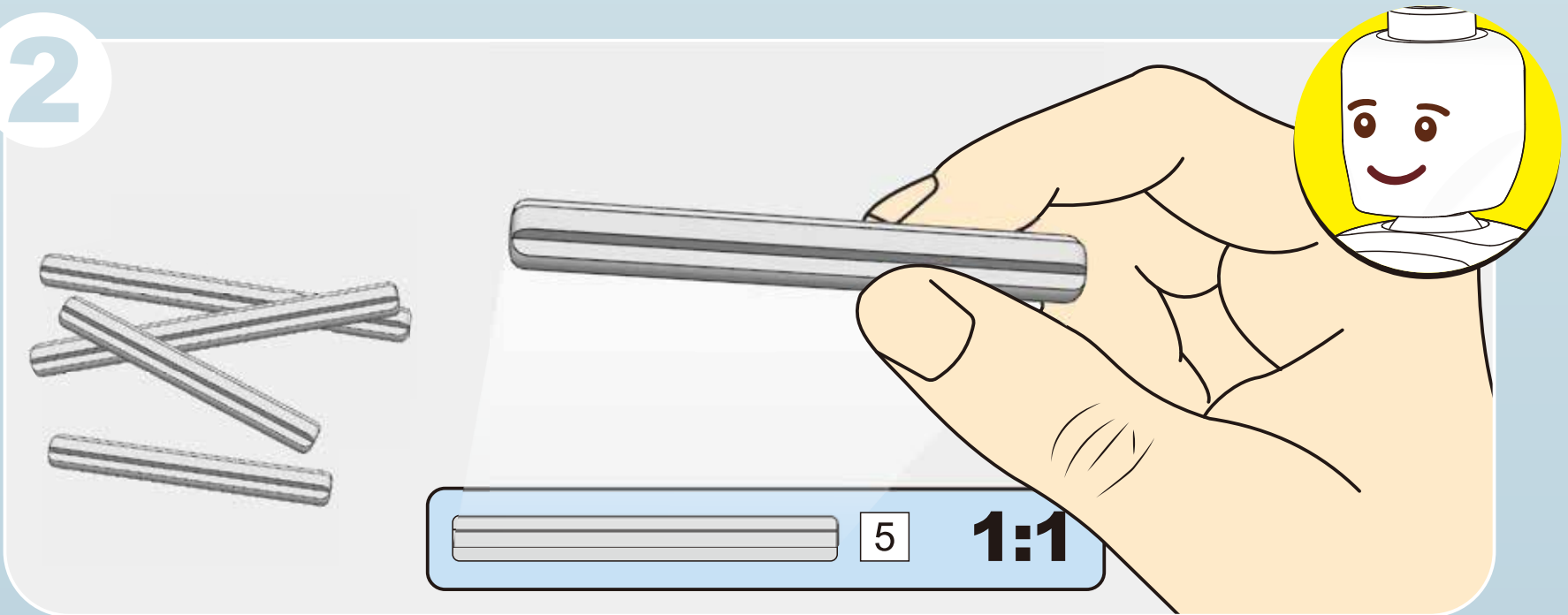
Designer Introduction

Maciej 'Dmac' Szymański began his adventure with building bricks in the early '80s and returned to the hobby as an adult. His main interest are highly detailed, realistic, brick-built scale models of World War II tanks, construction equipment and Star Wars vehicles, usually packed with electric motors and lights.

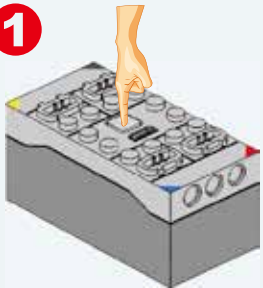
1



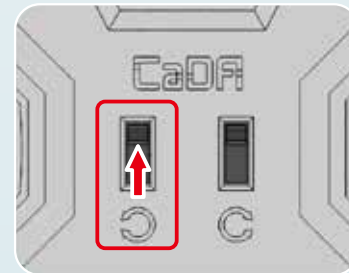
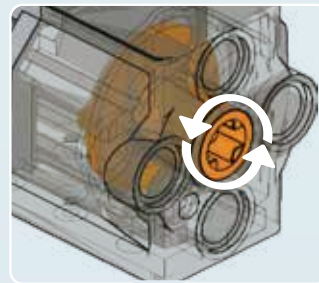
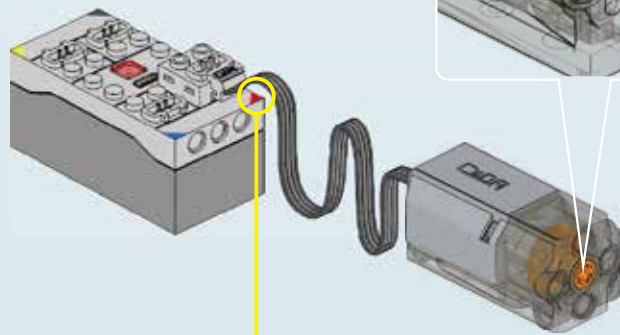
2



1



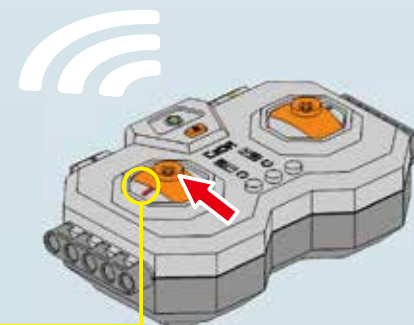
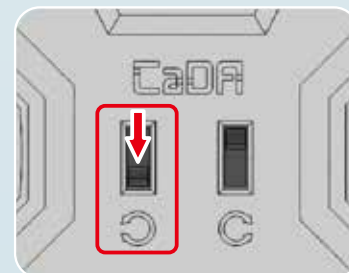
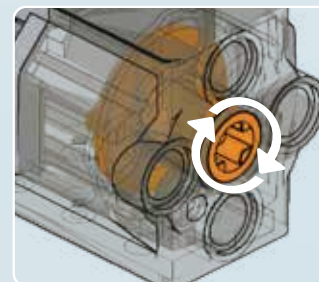
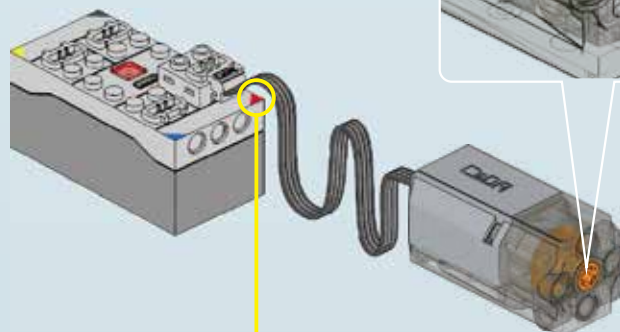
2

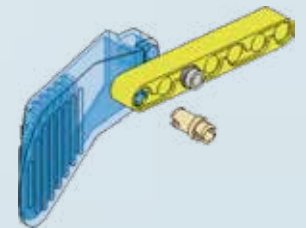
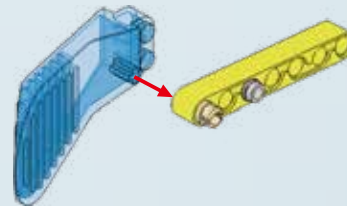
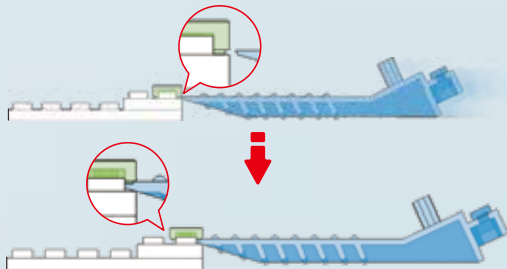
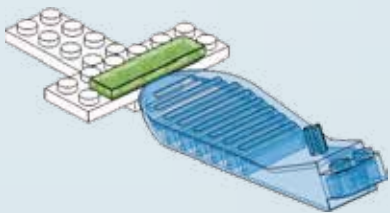
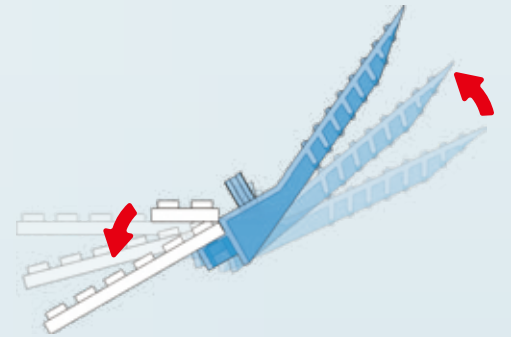
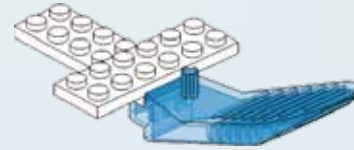
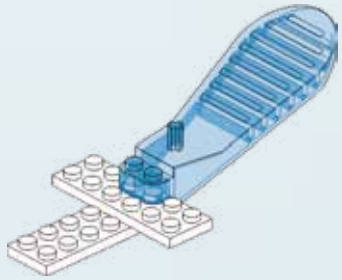


1

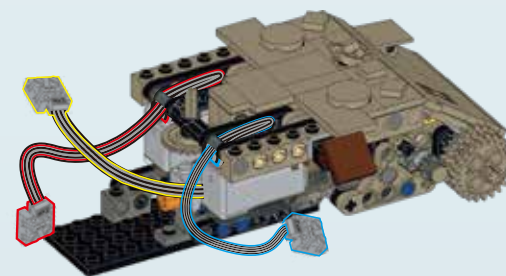
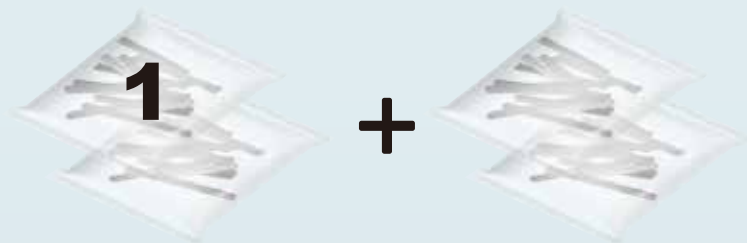


2





1



A

2



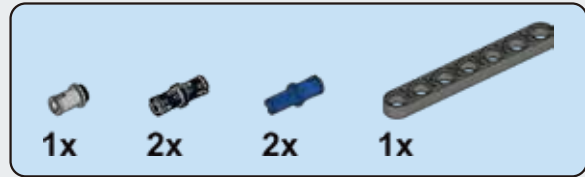
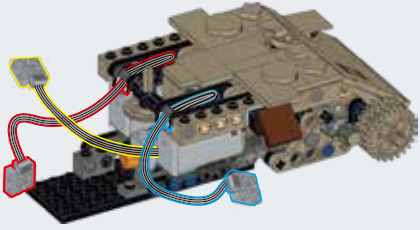
B

3

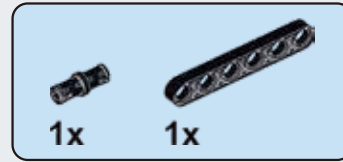
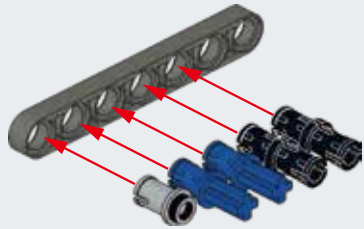


C

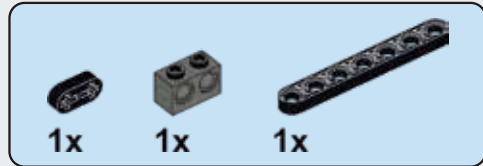
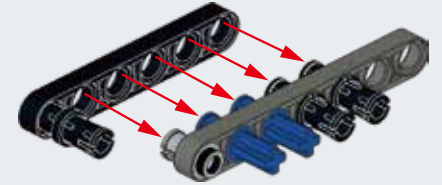
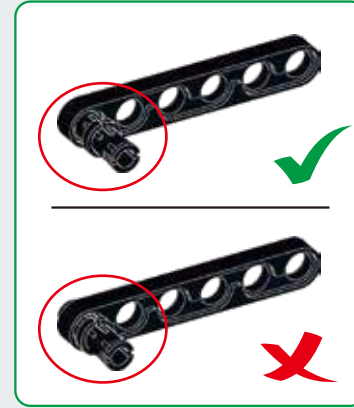
A



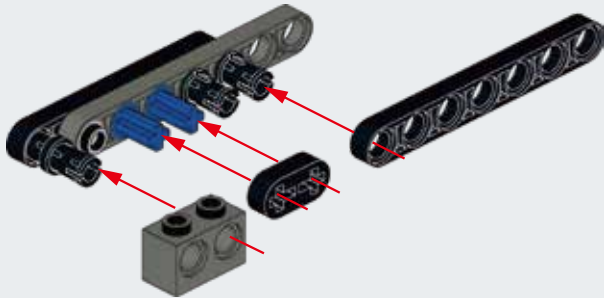
A1



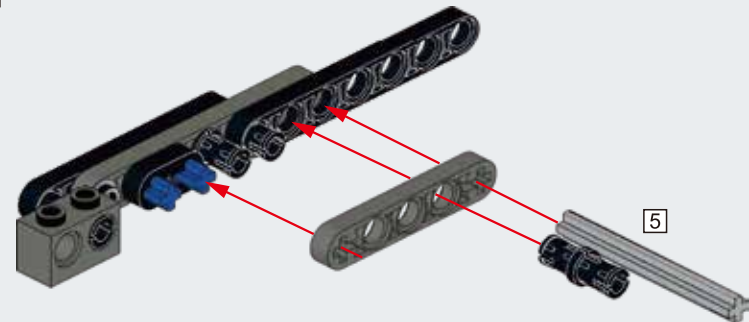
A2

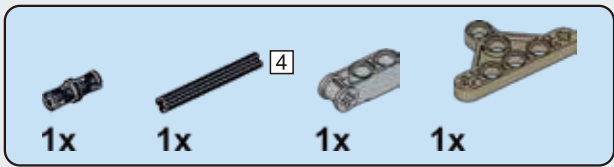


A3

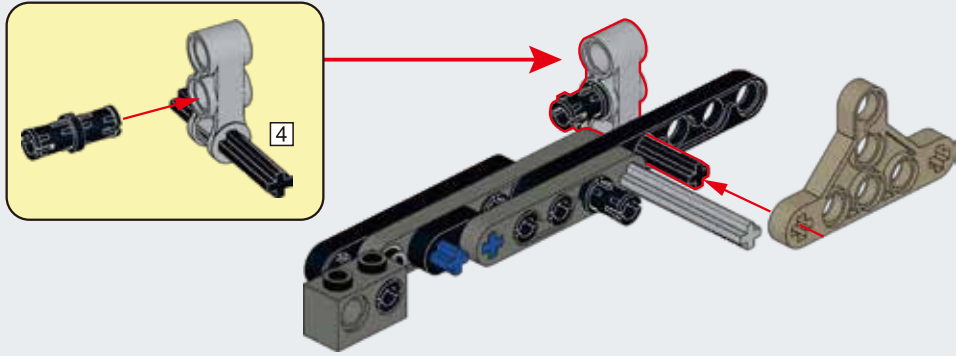


A4

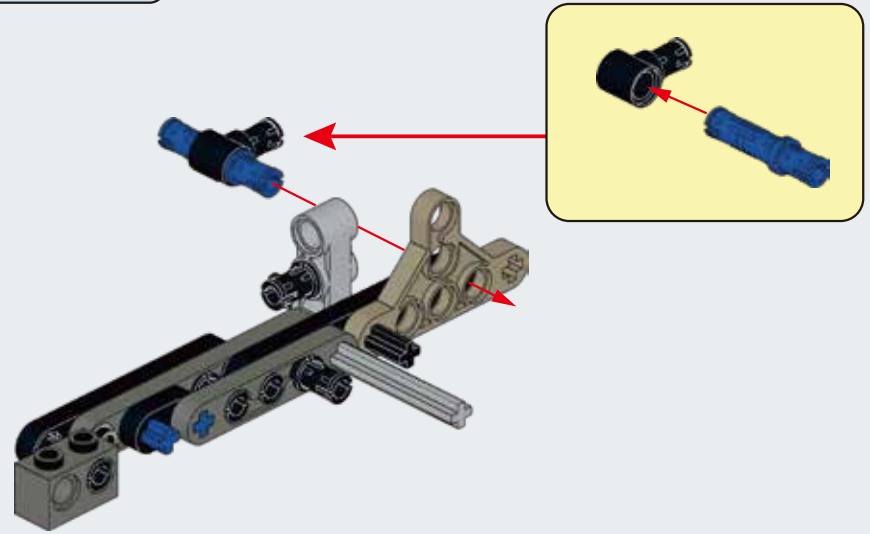




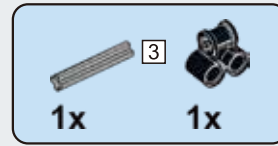
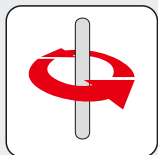
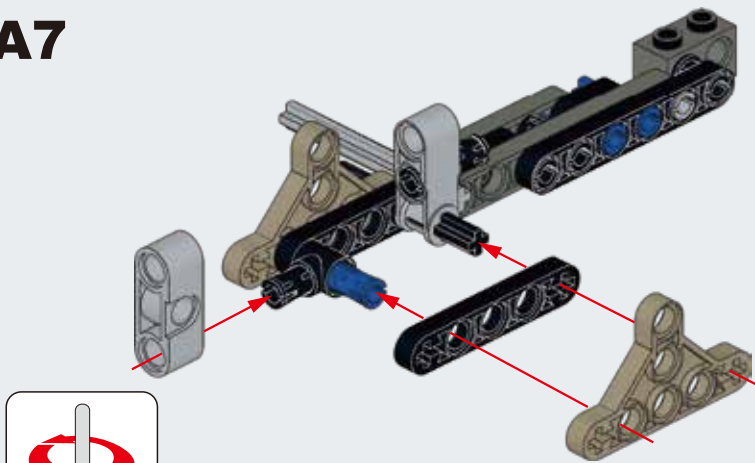
A5



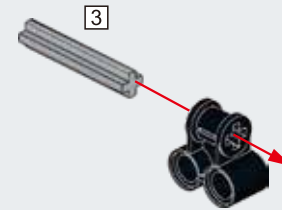
A6



A7

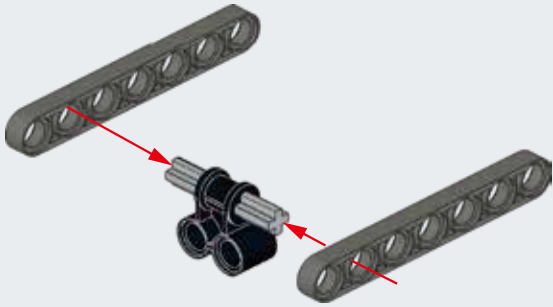


A8

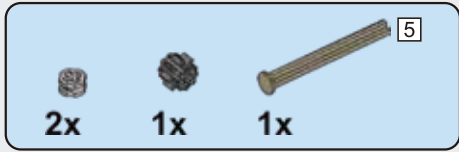
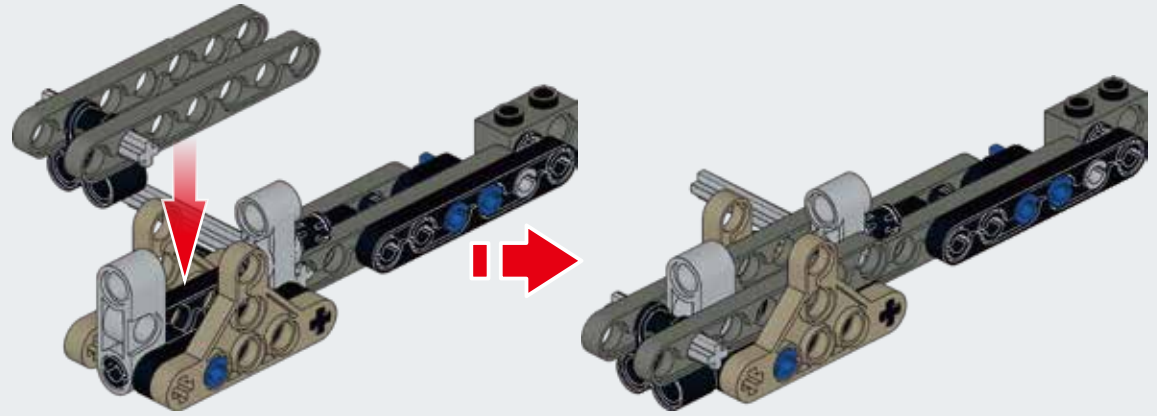




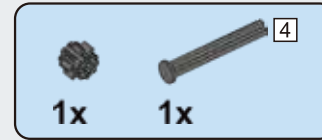
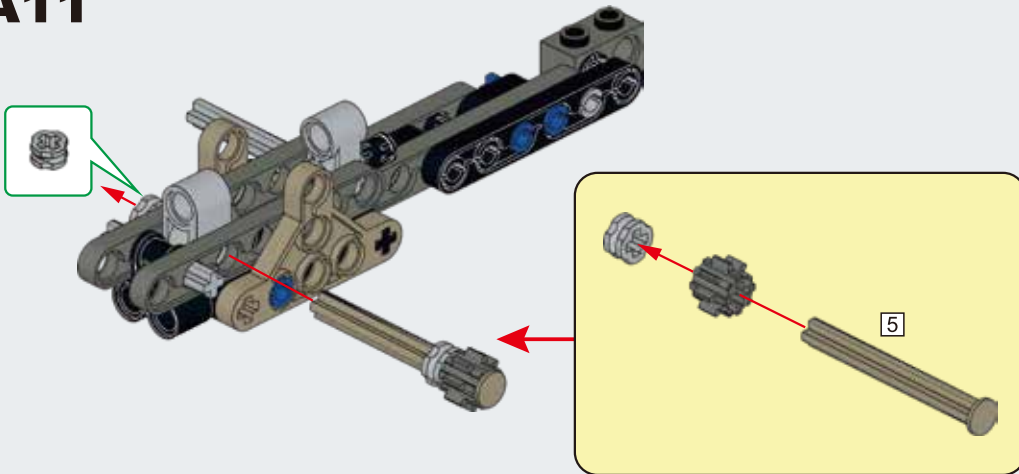
A9



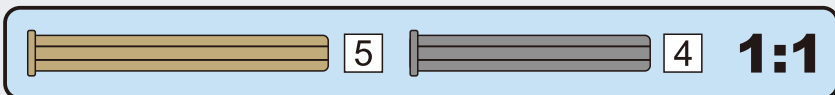
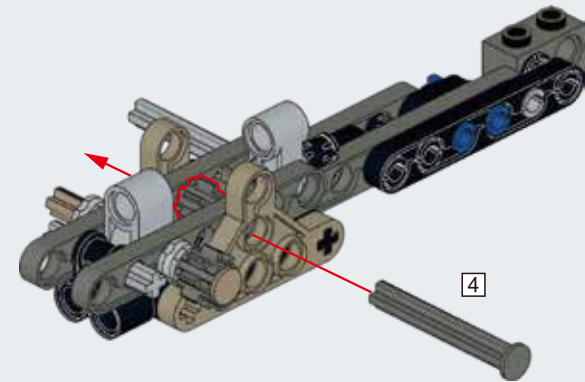
A10

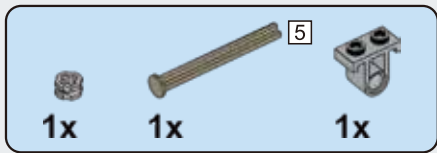


A11

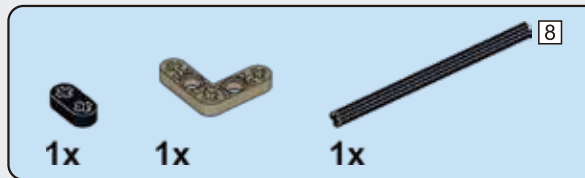
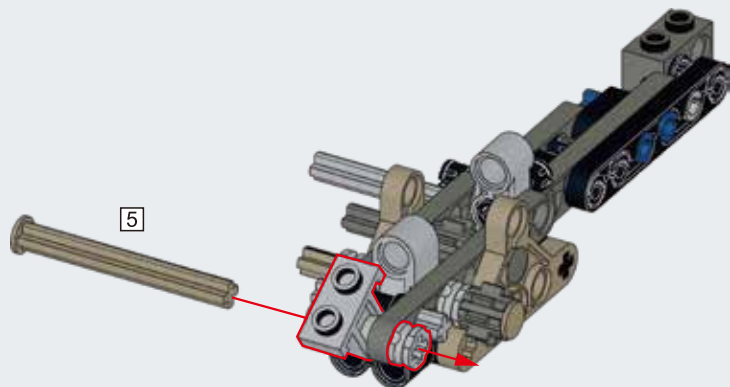


A12

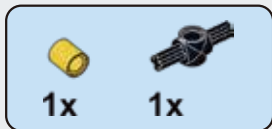
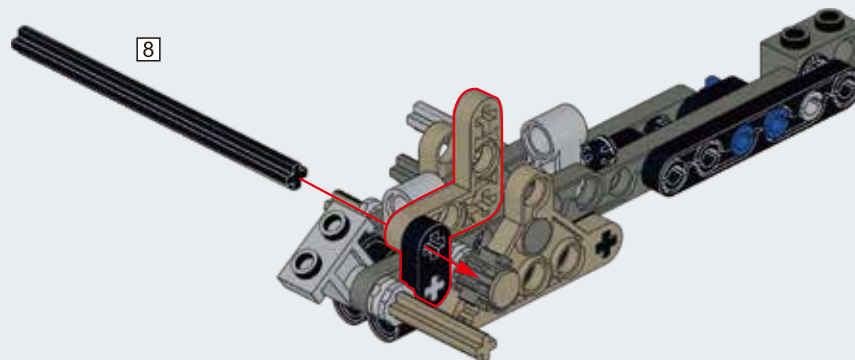




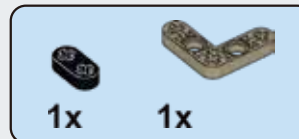
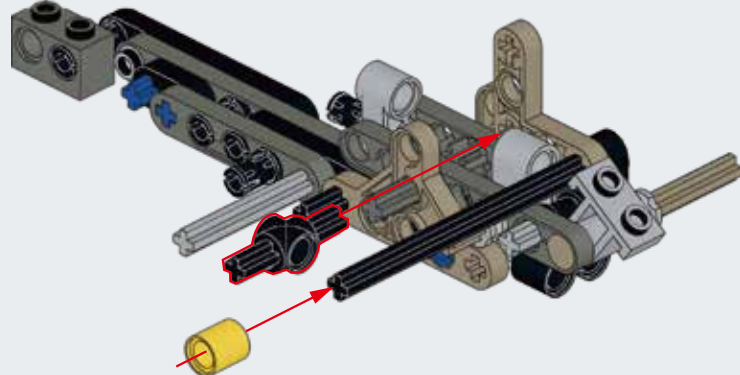
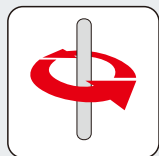
A13



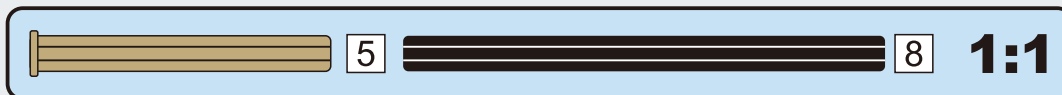
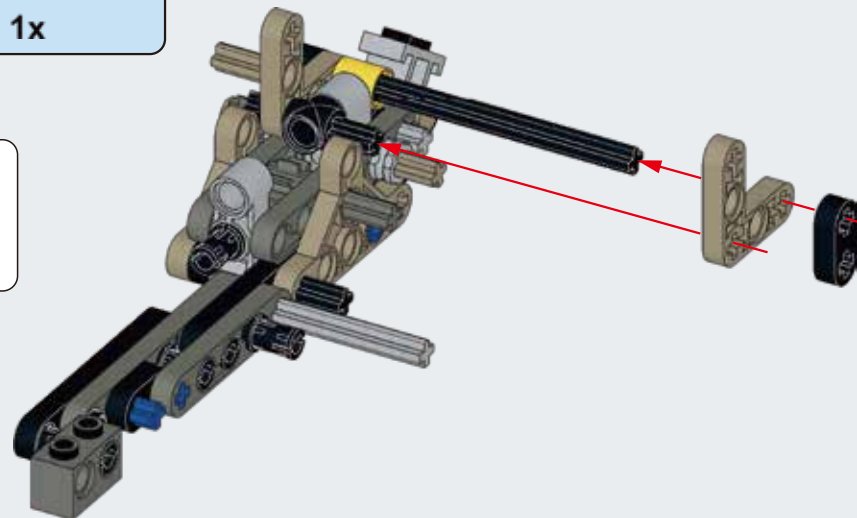
A14



A15

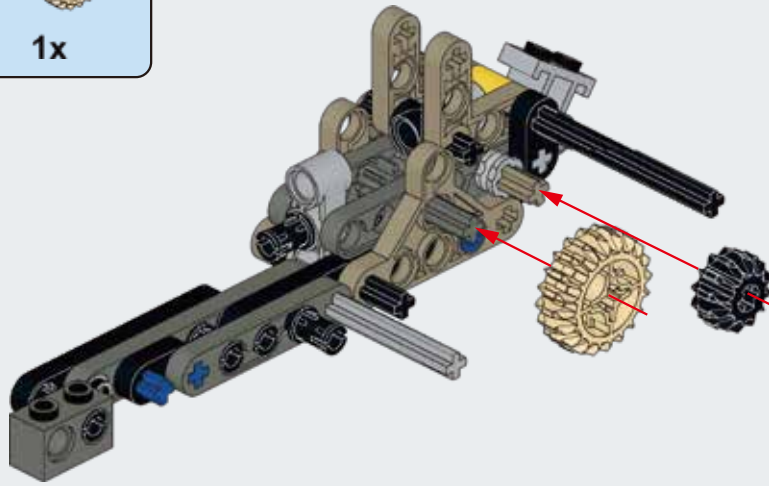


A16

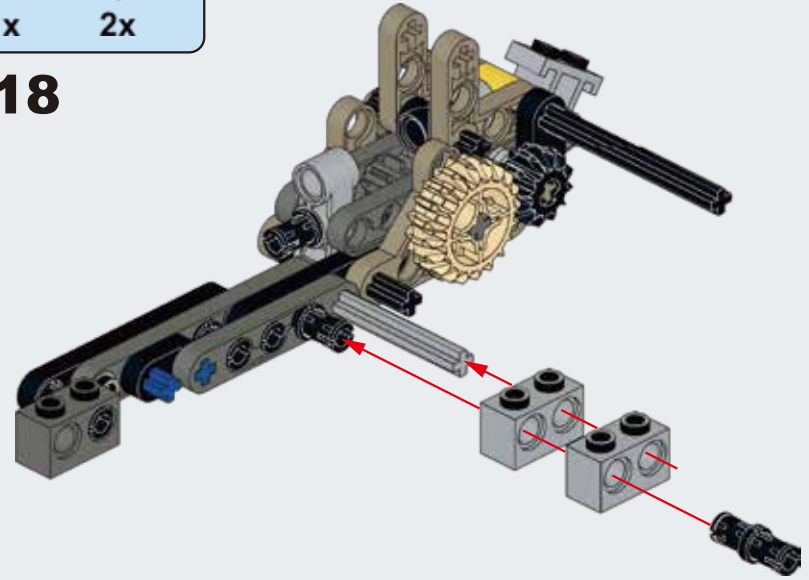




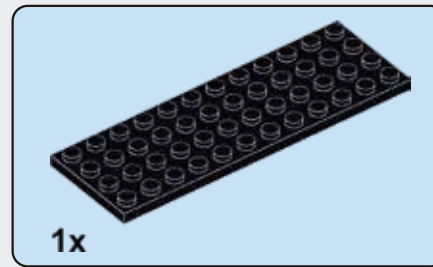
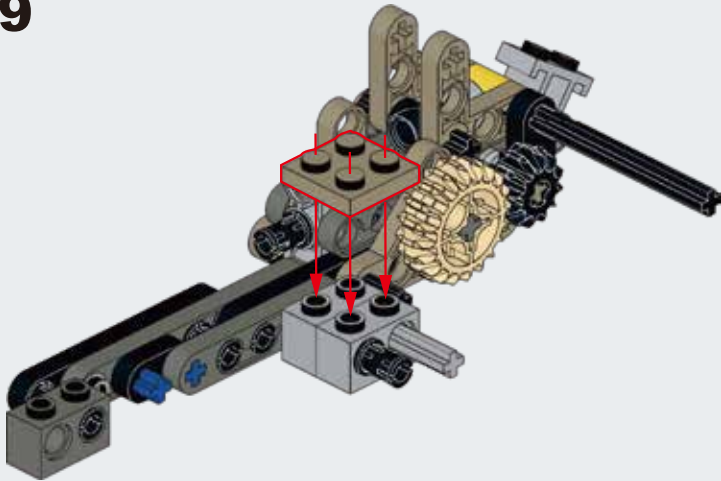
A17



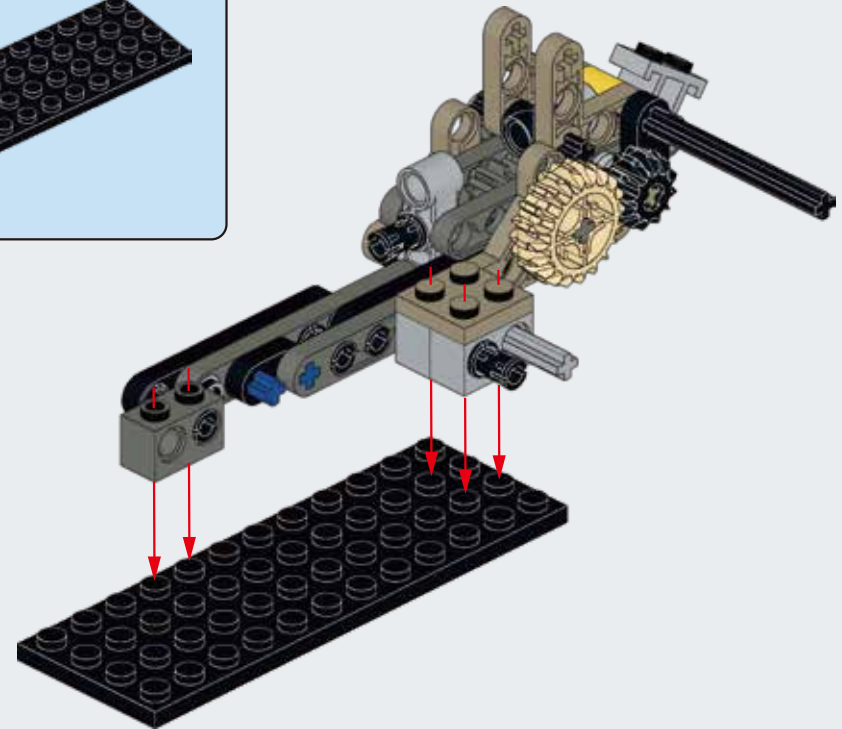
A18



A19

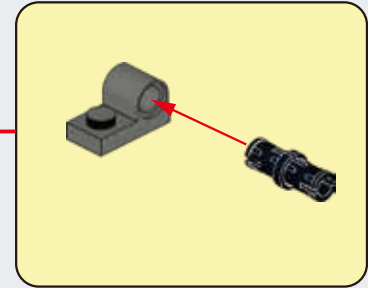
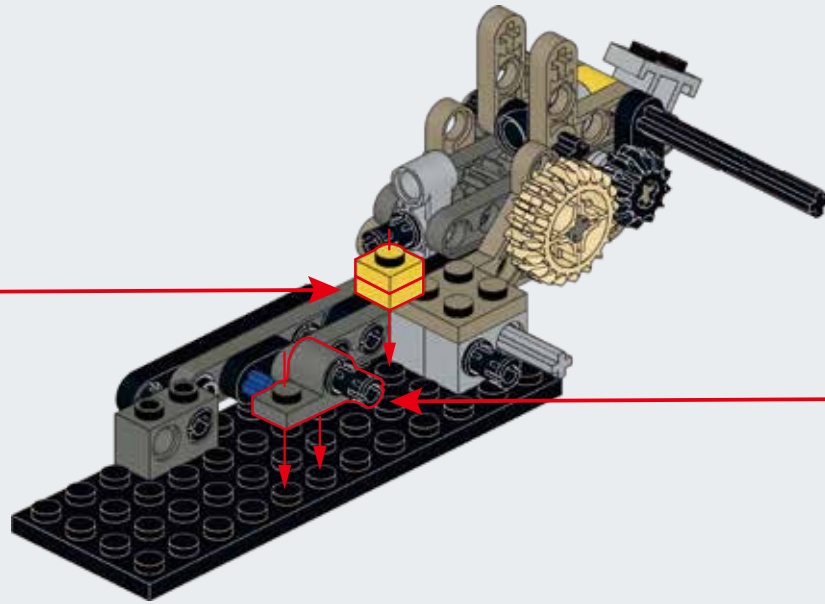
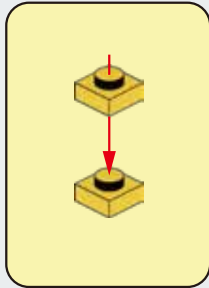


A20

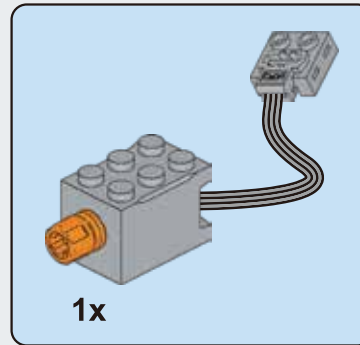
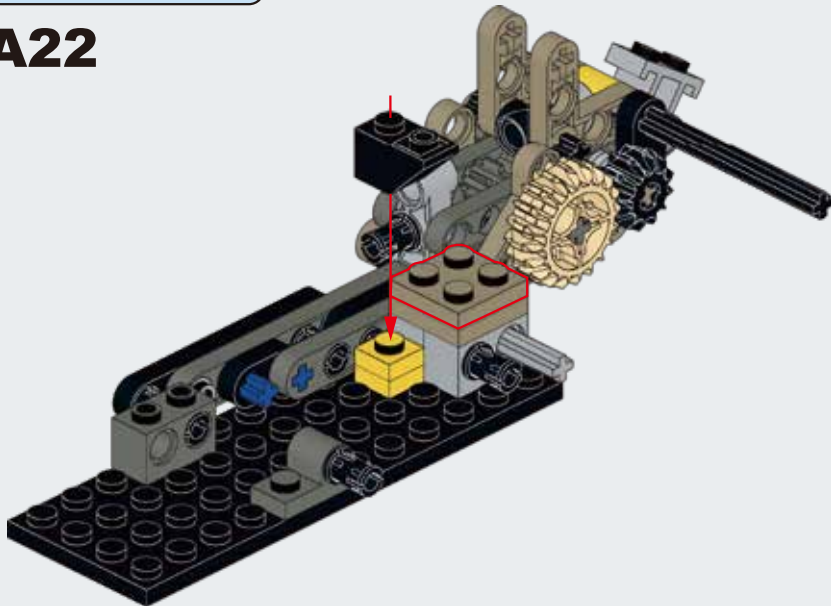




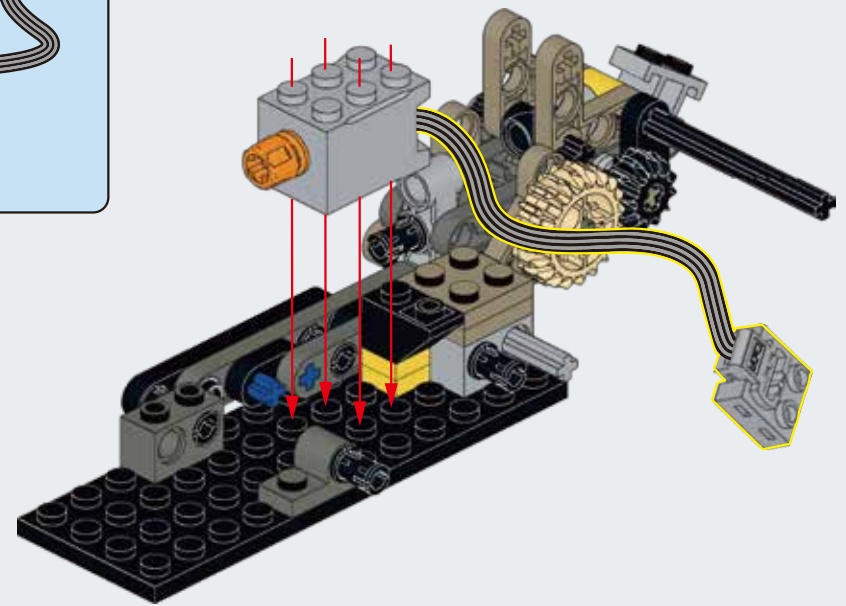
A21

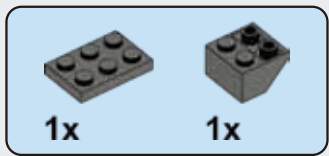


A22

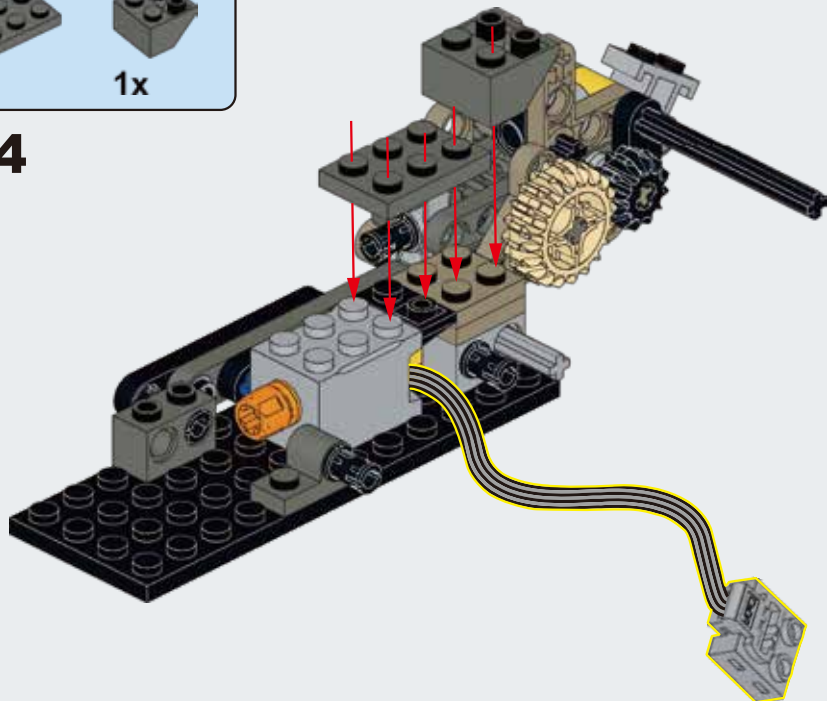


A23

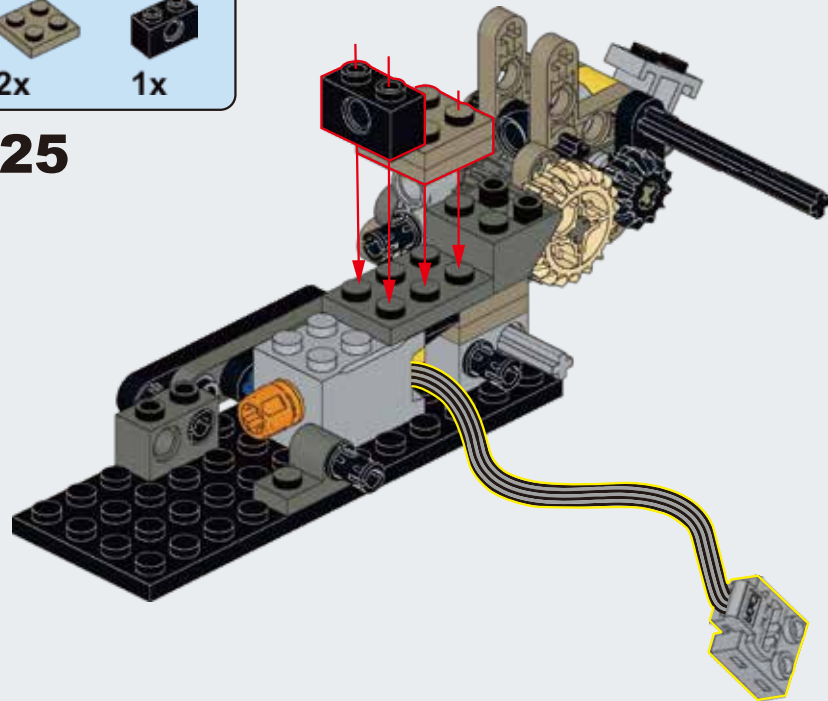




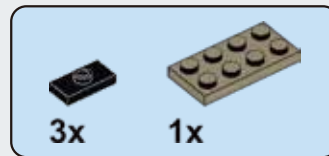
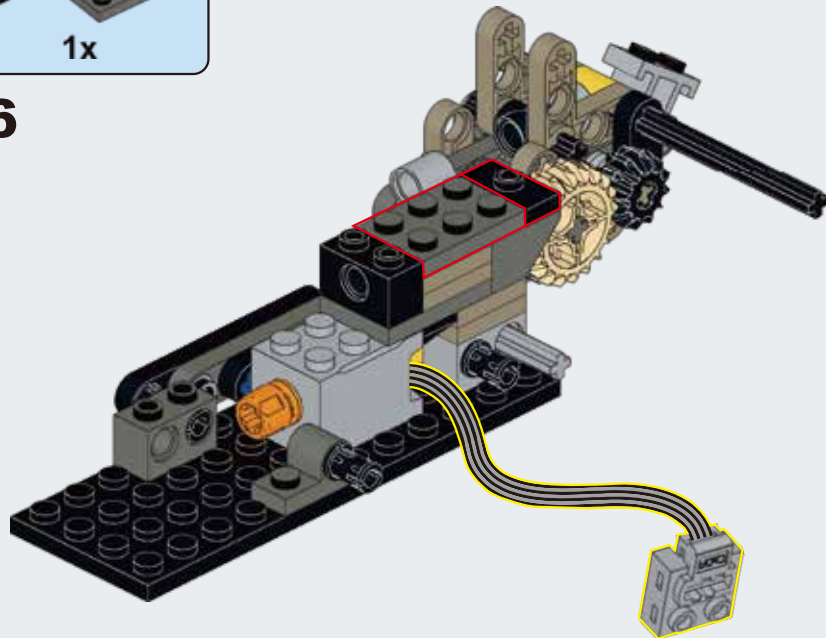
A24



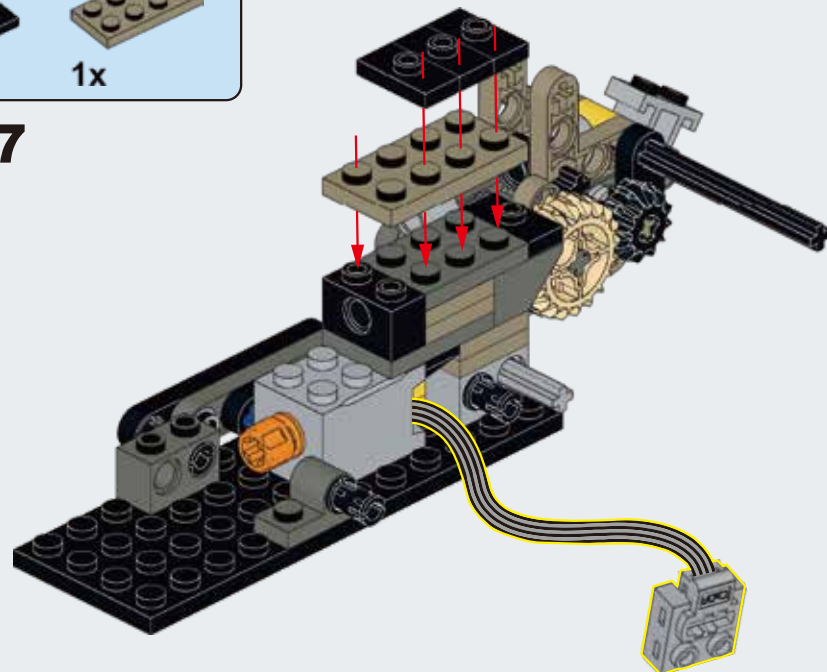
A25



A26



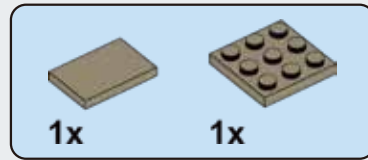
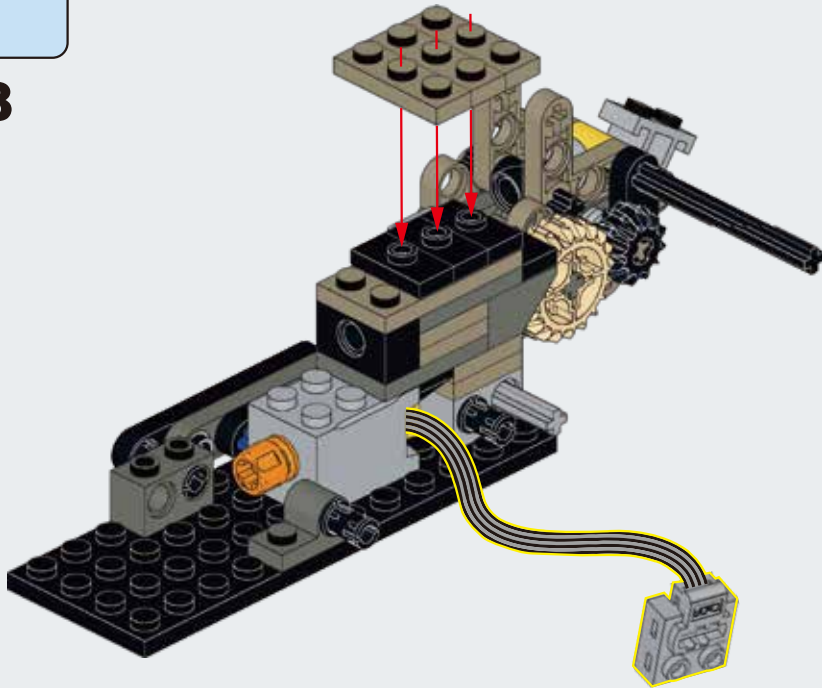
A27





3x

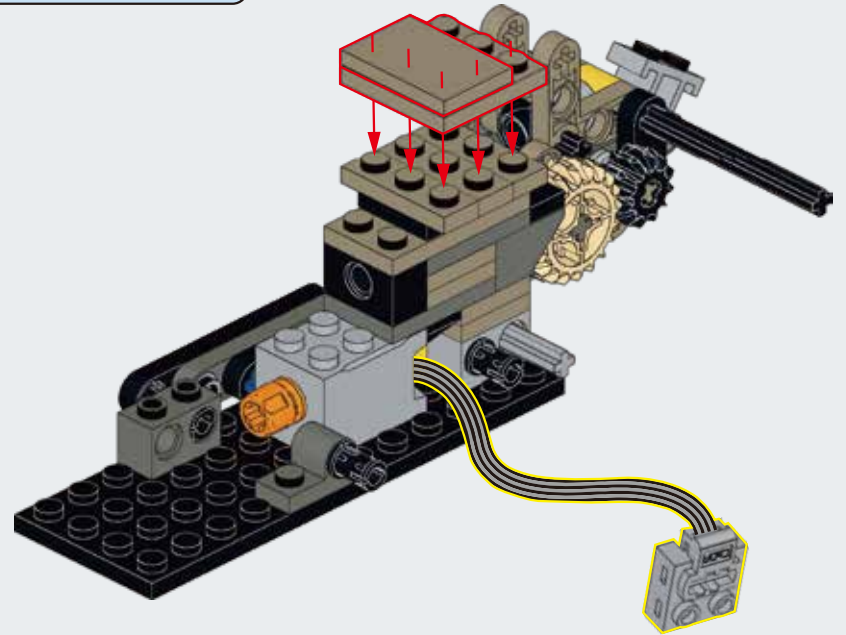
A28



1x

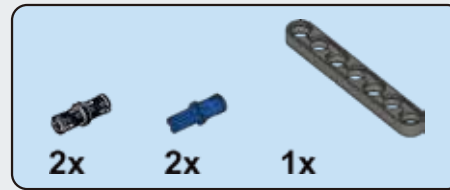
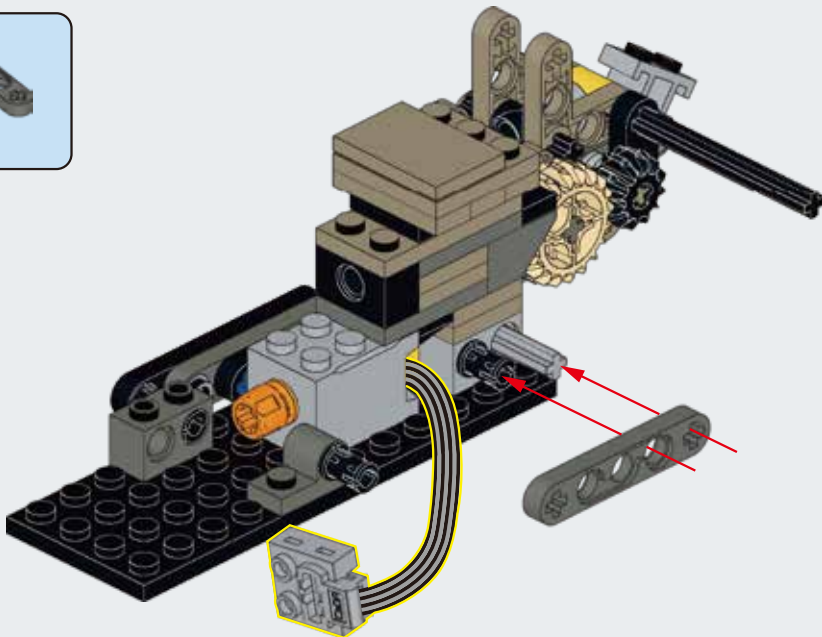
1x

A29



1x

A30

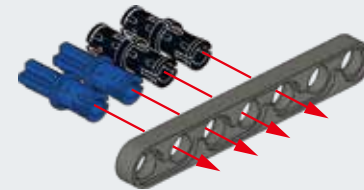


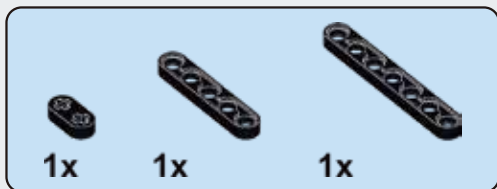
2x

2x

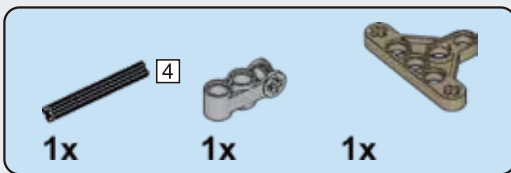
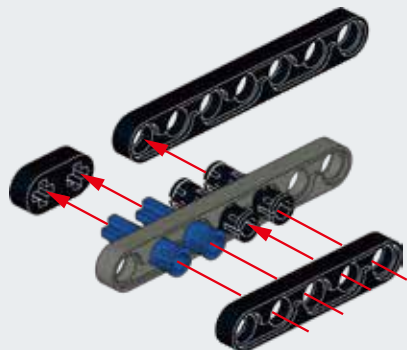
1x

A31

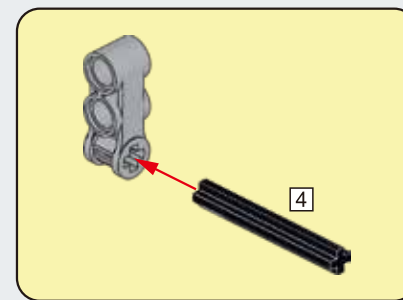
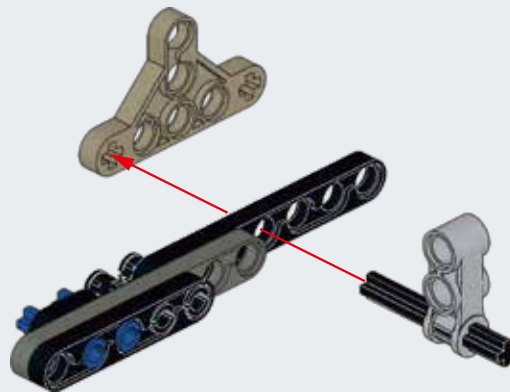




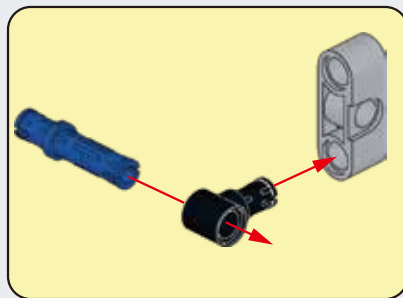
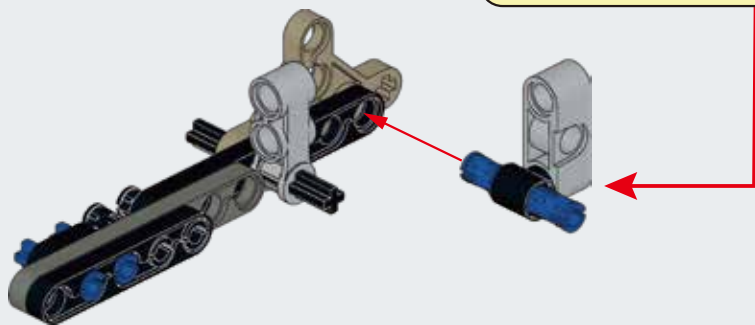
A32



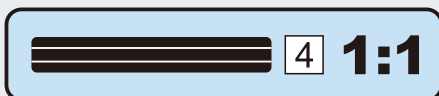
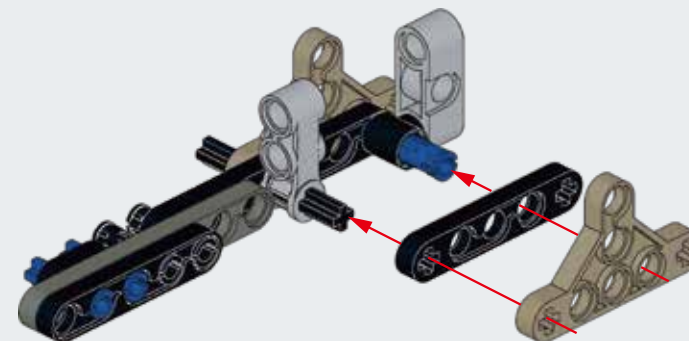
A33

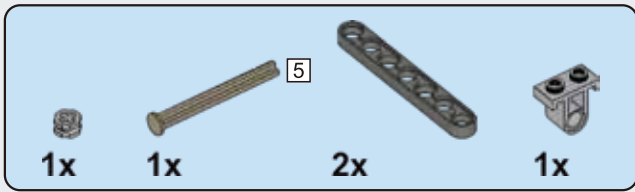


A34

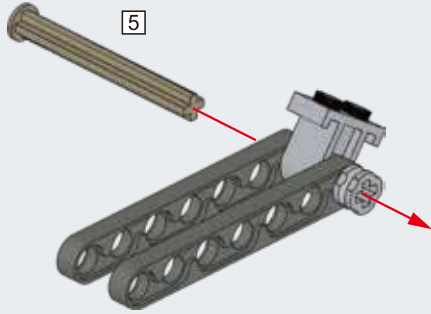


A35

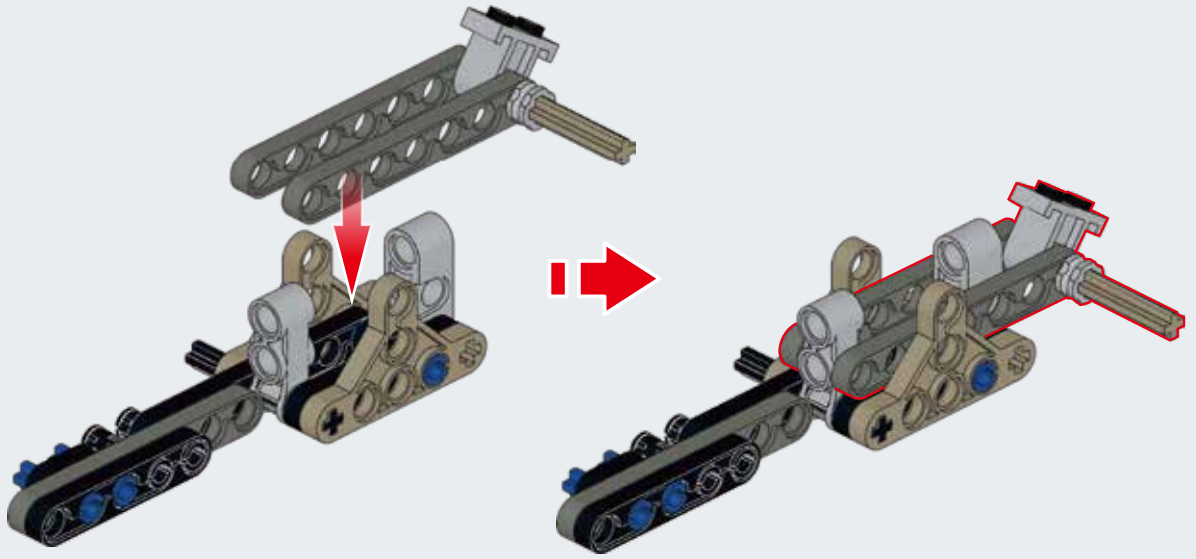




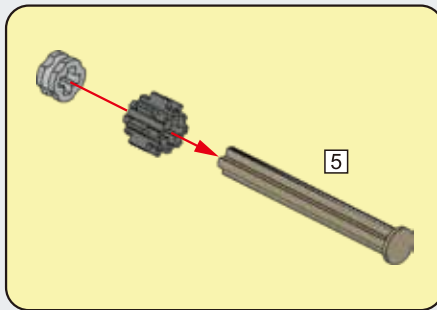
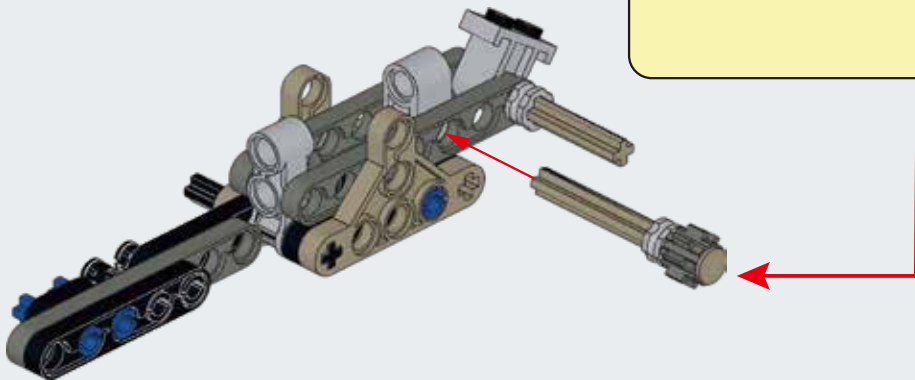
A36



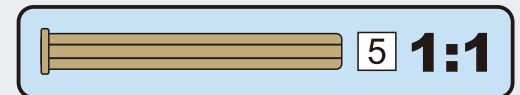
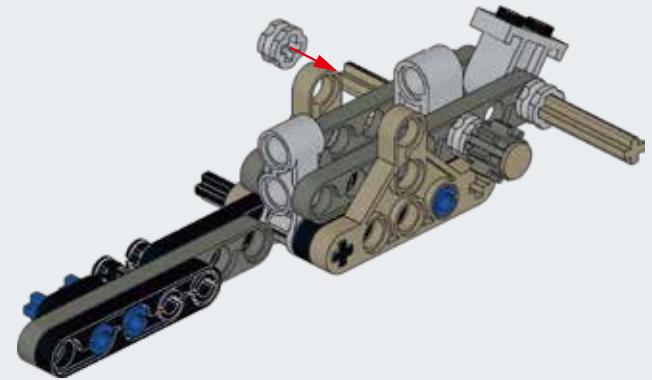
A37

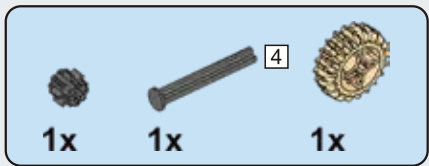


A38

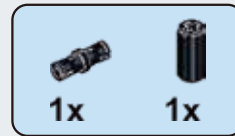
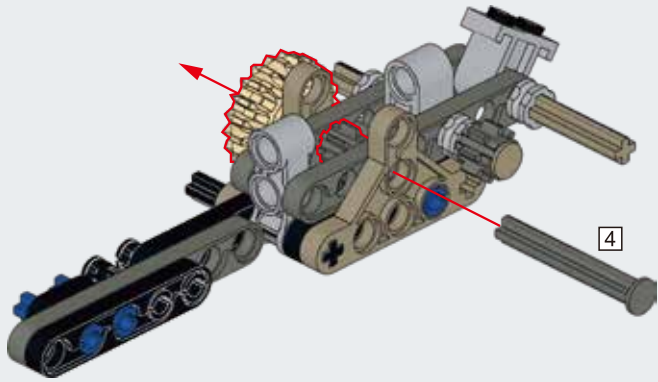


A39

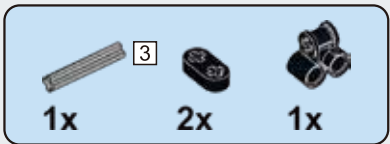
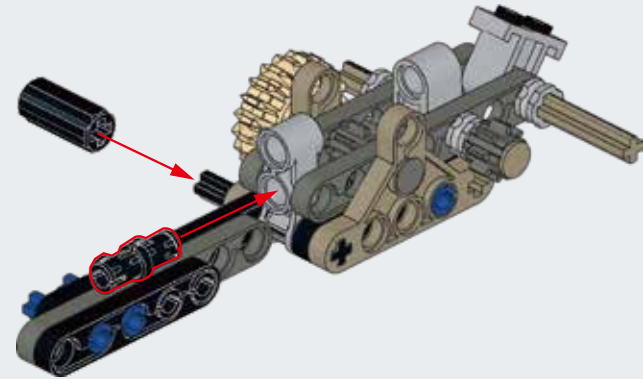




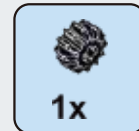
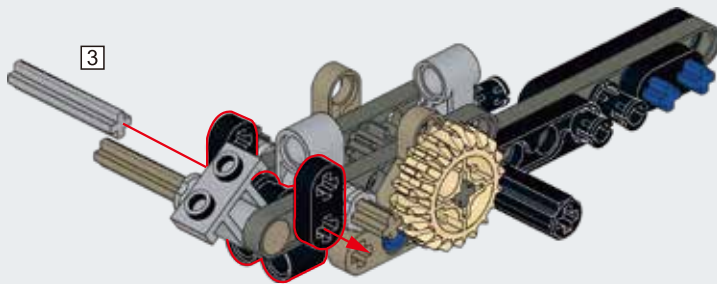
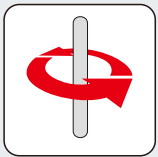
A40



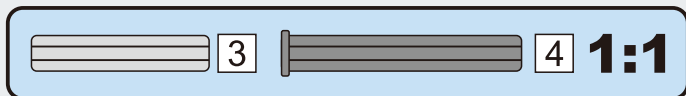
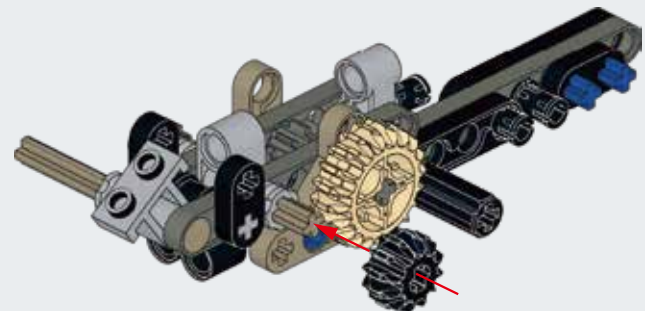
A41



A42

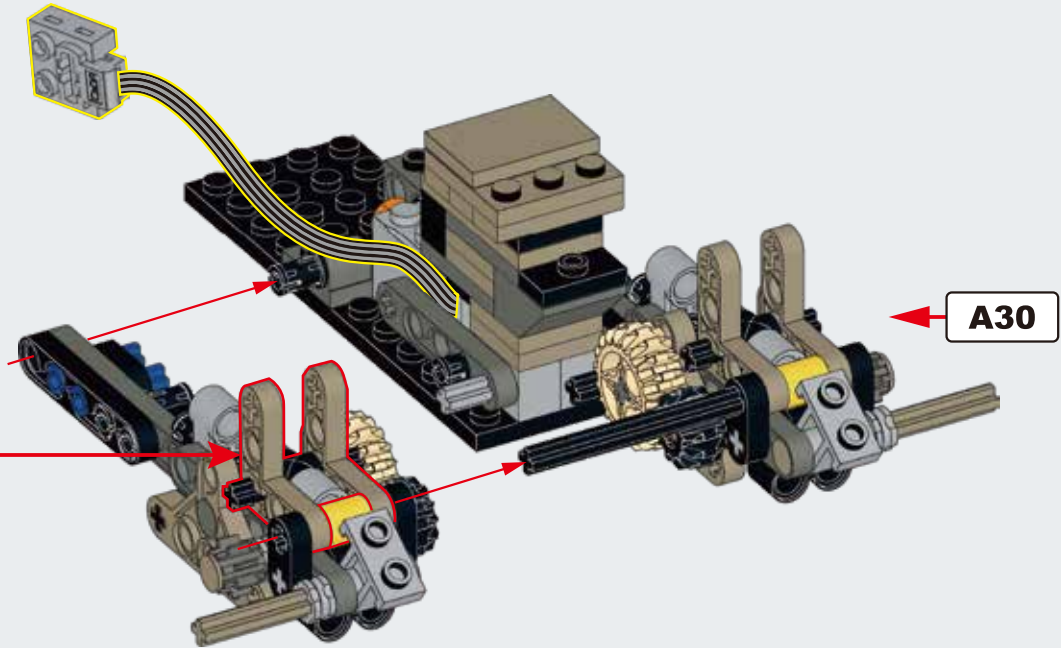
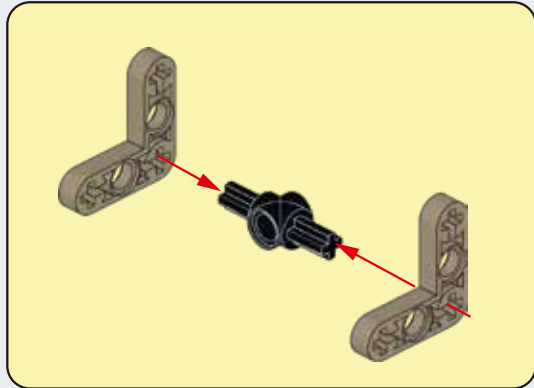
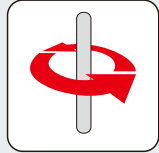


A43

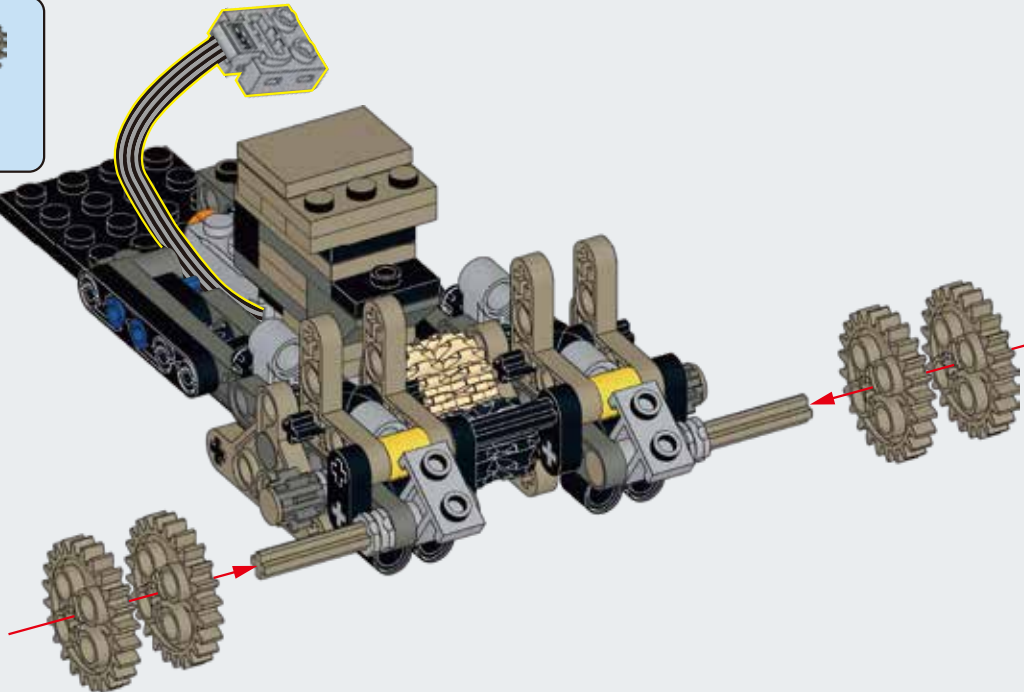




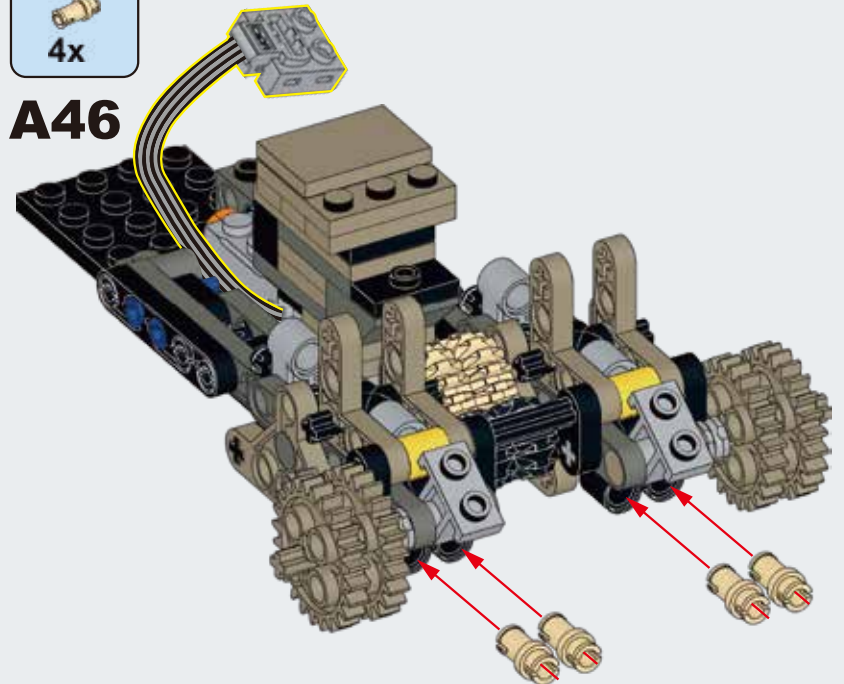
A44



A45

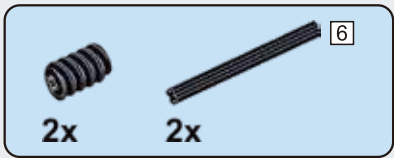
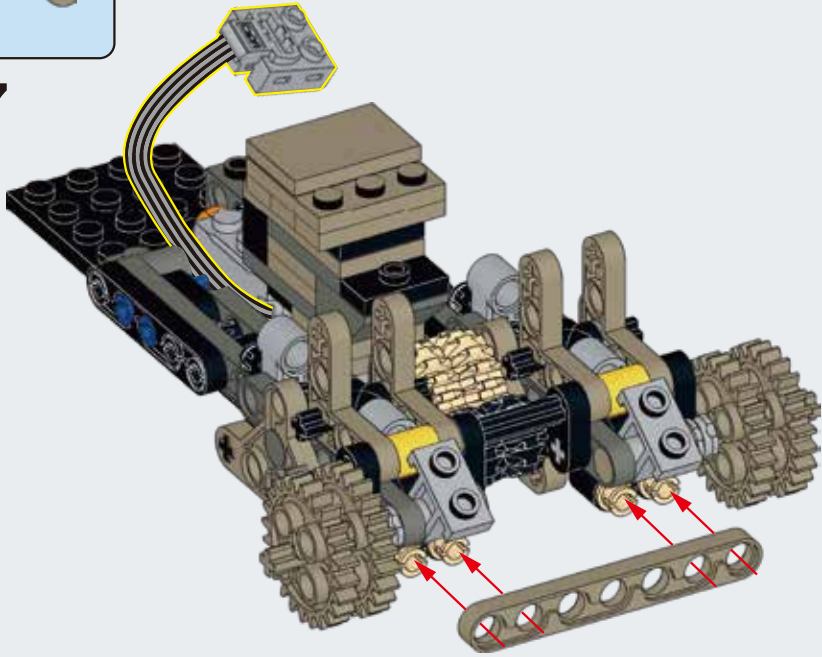


A46

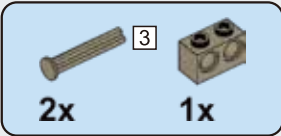
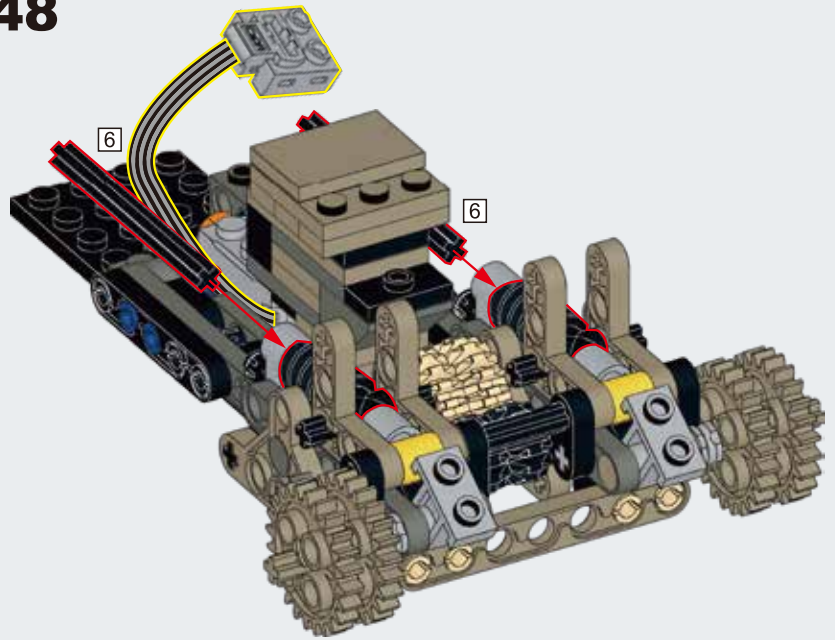




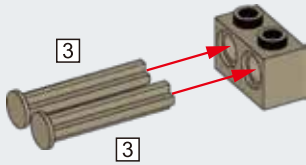
A47



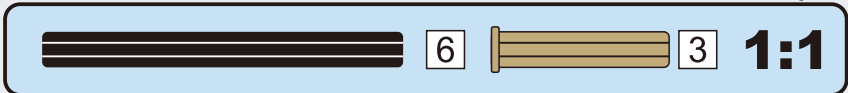
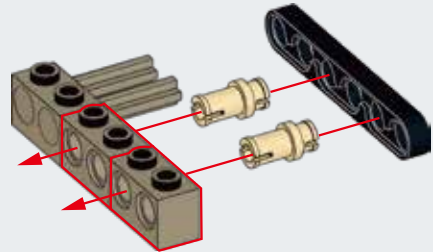
A48

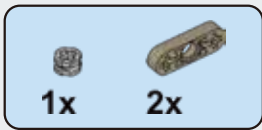


A49

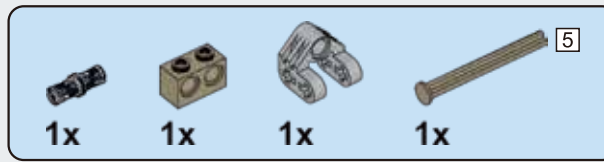
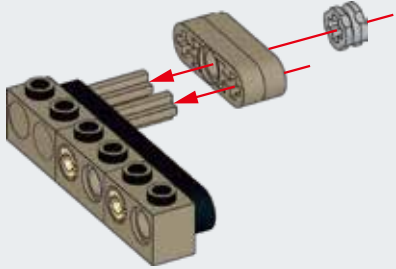


A50

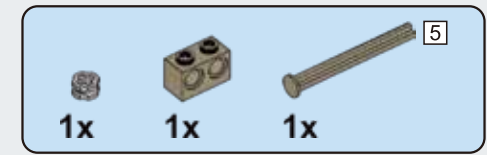
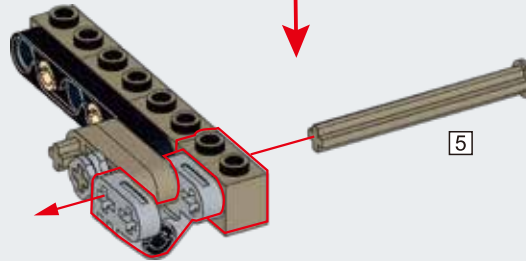
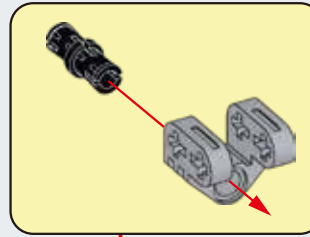
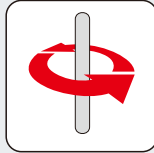




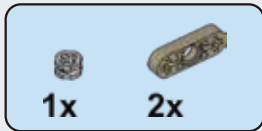
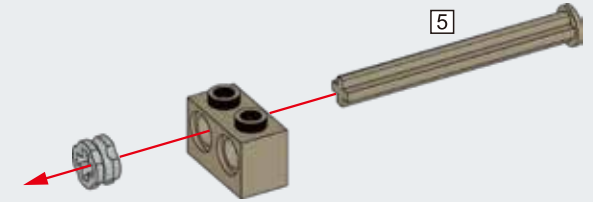
A51



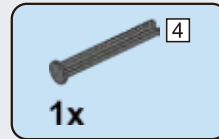
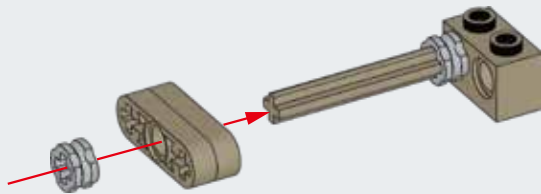
A52



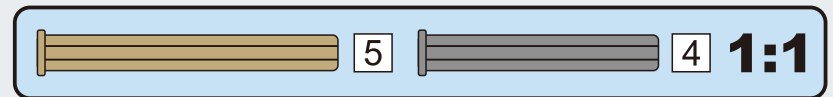
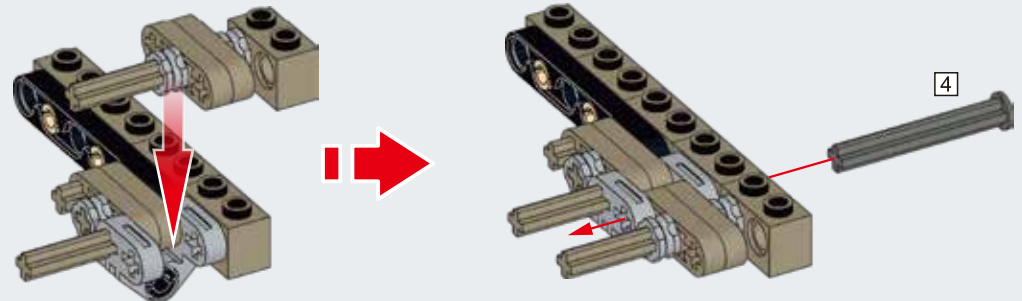
A53

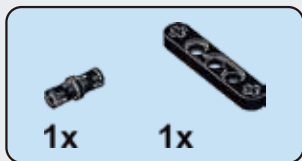


A54

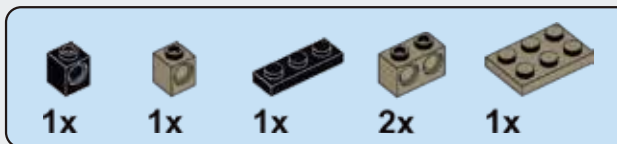
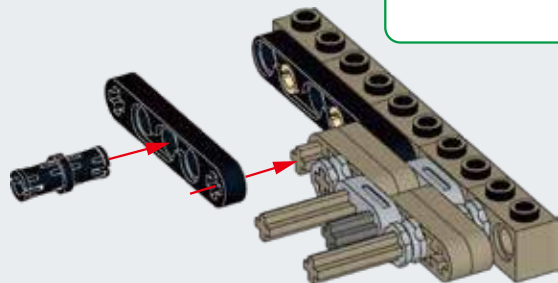
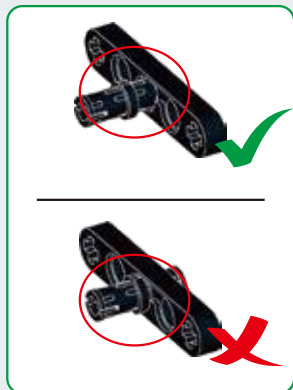


A55

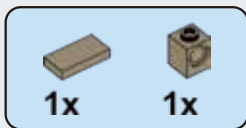
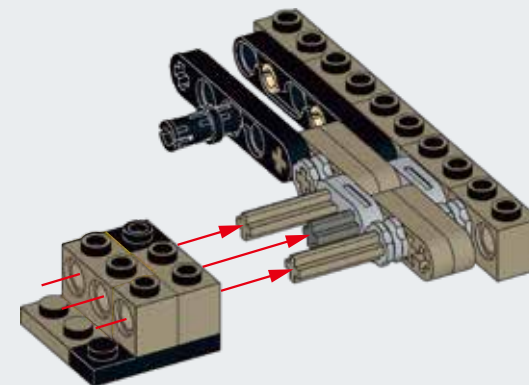
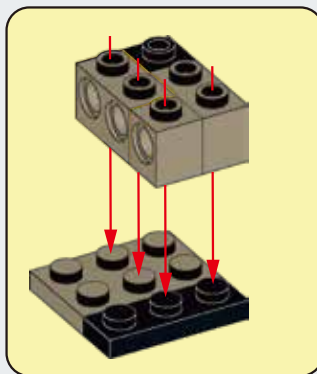




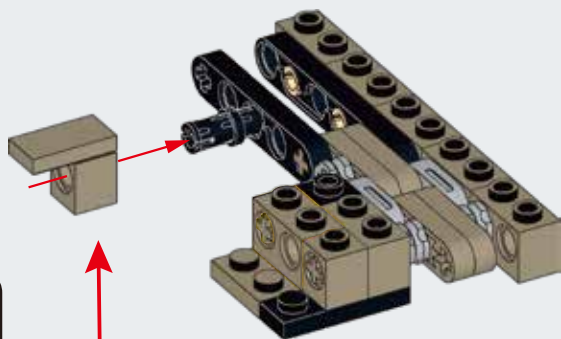
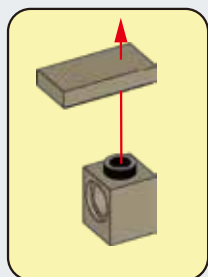
A56



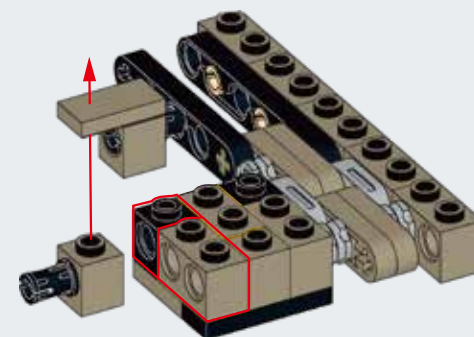
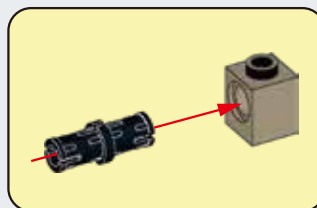
A57

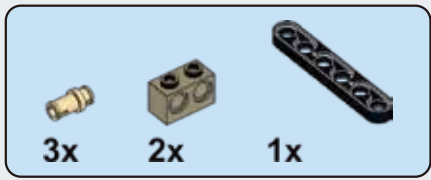


A58

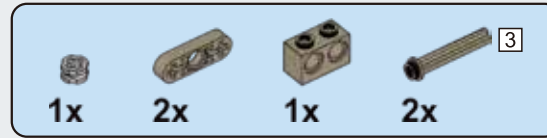
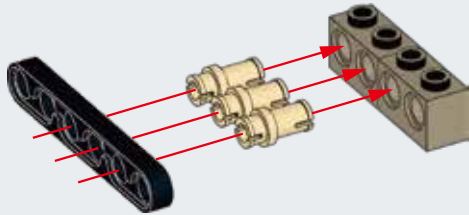


A59

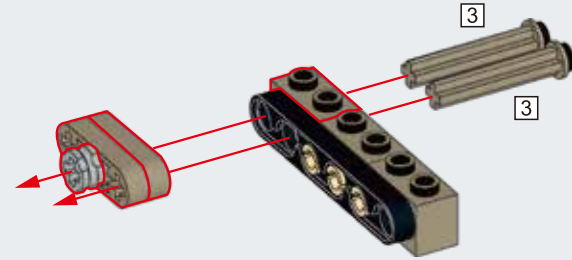




A60



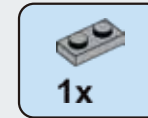
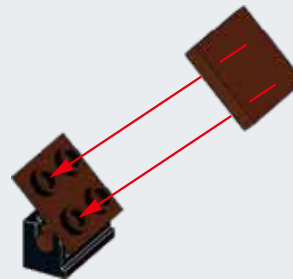
A61



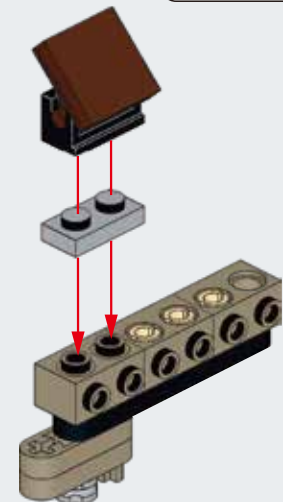
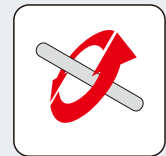
A62

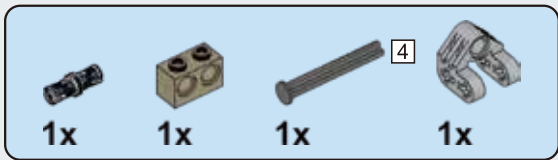


A63

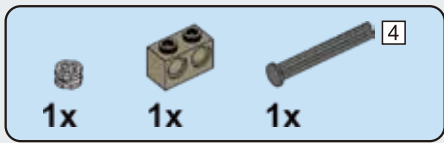
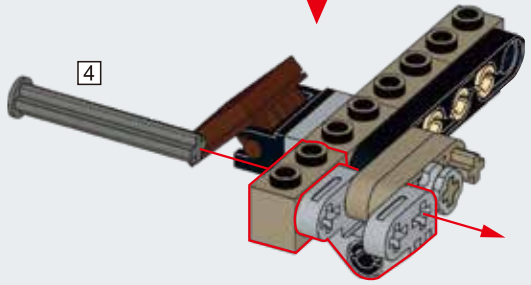
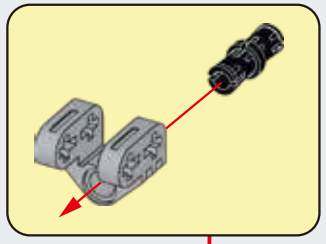


A64

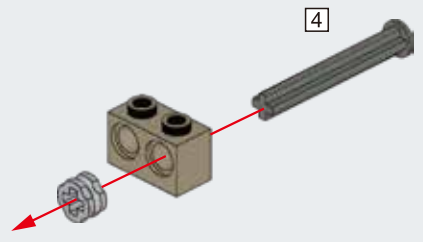




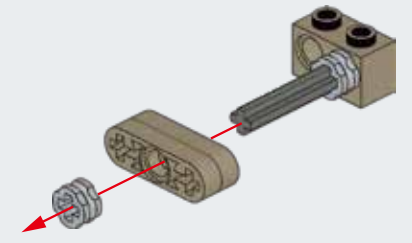
A65



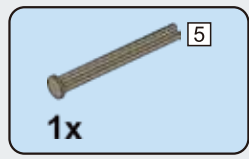
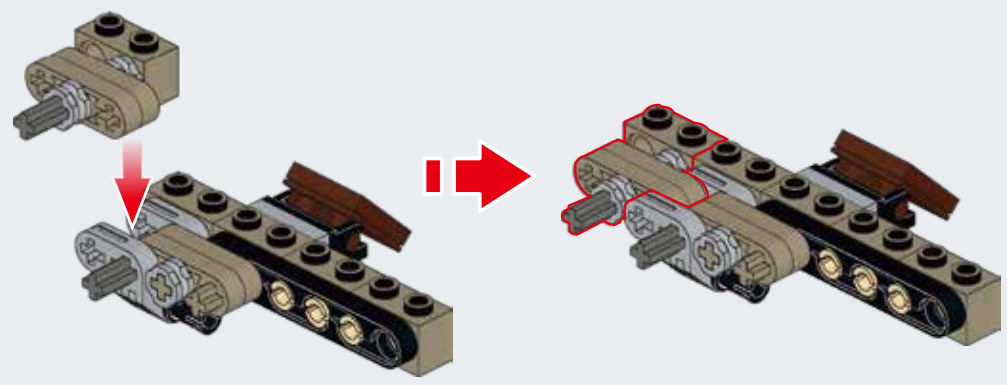
A66



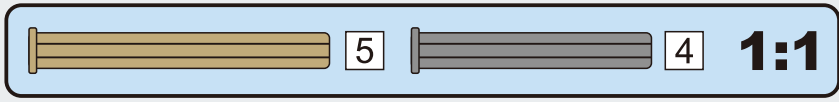
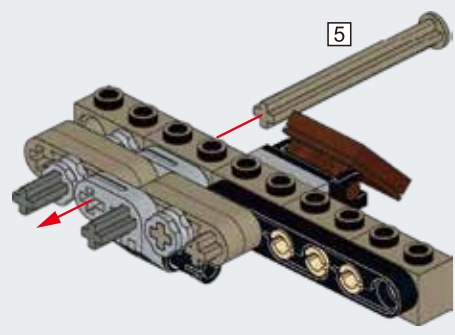
A67

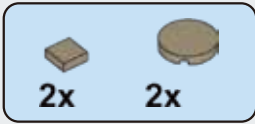


A68

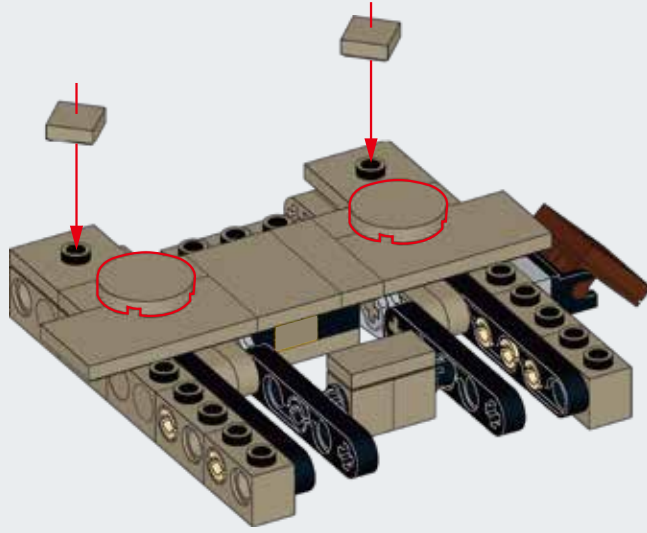


A69

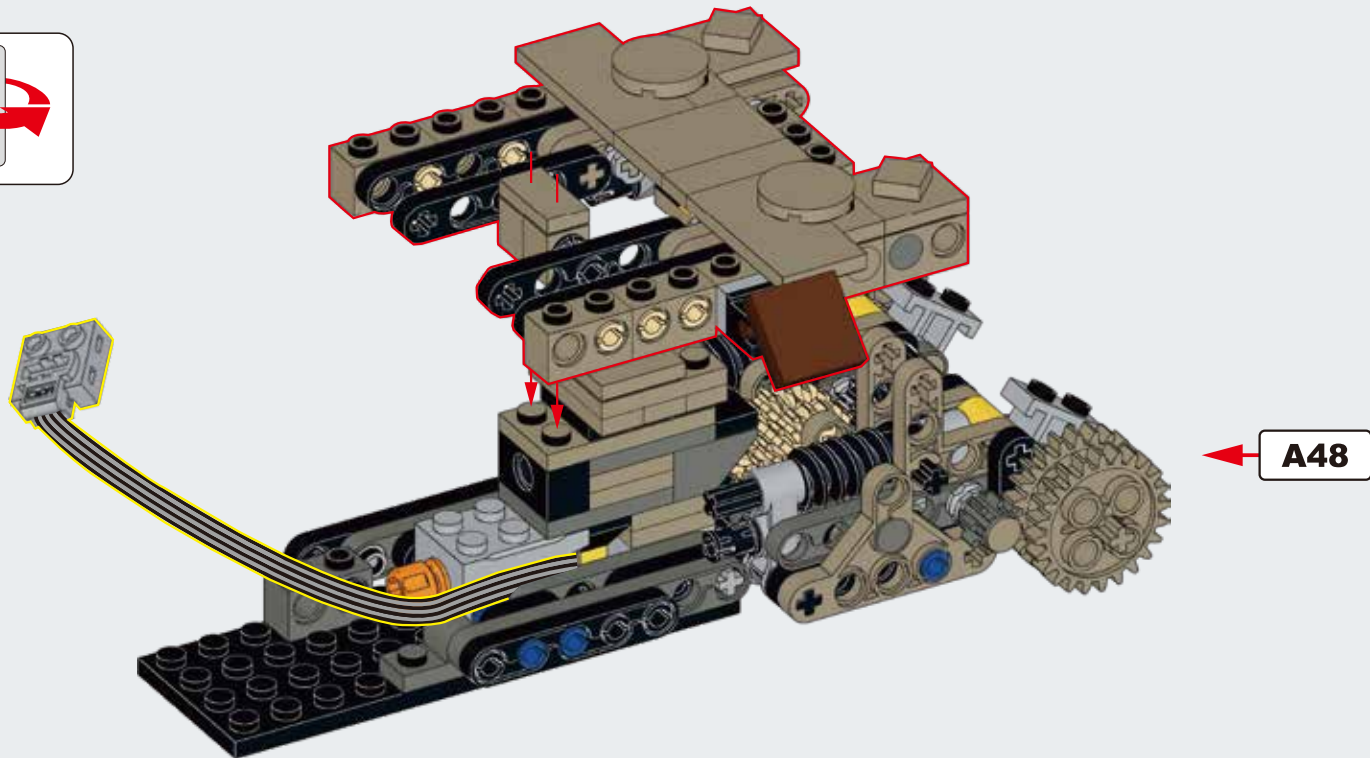


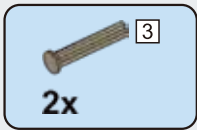


A74

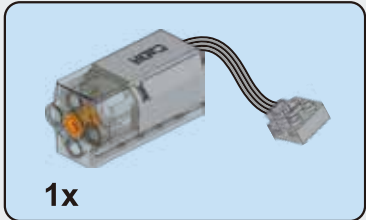
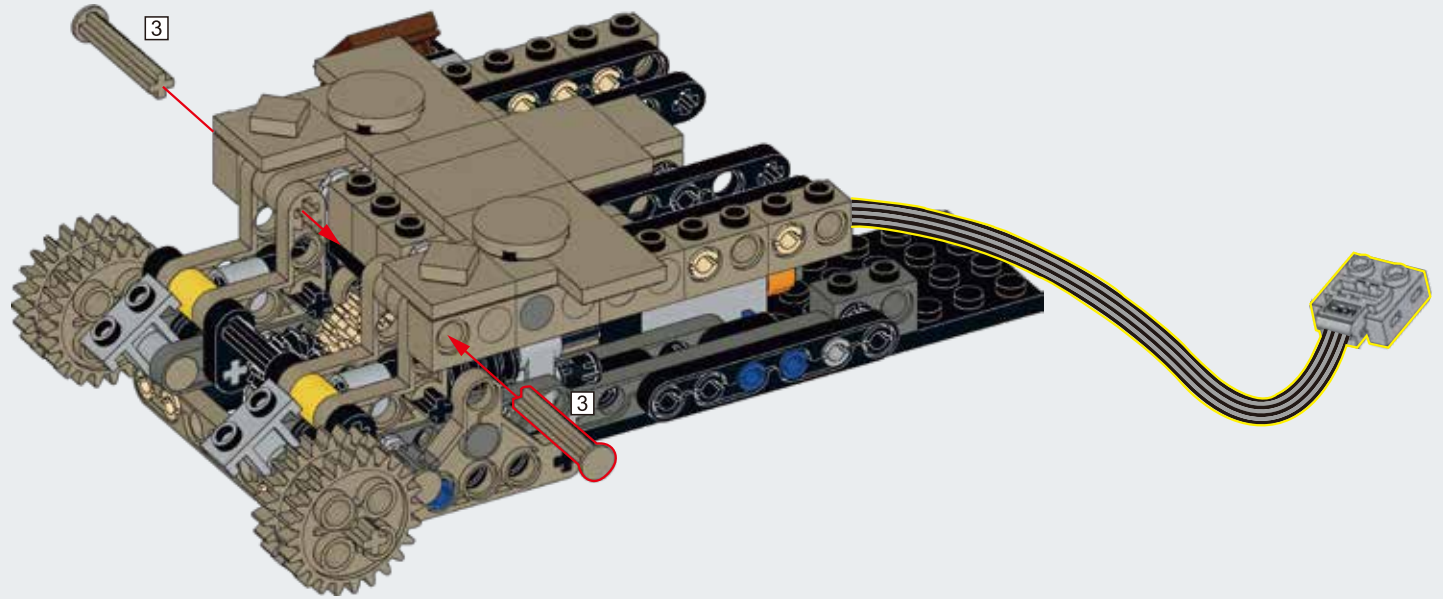
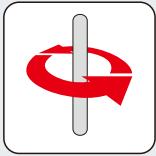


A75

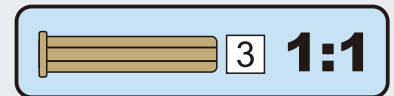
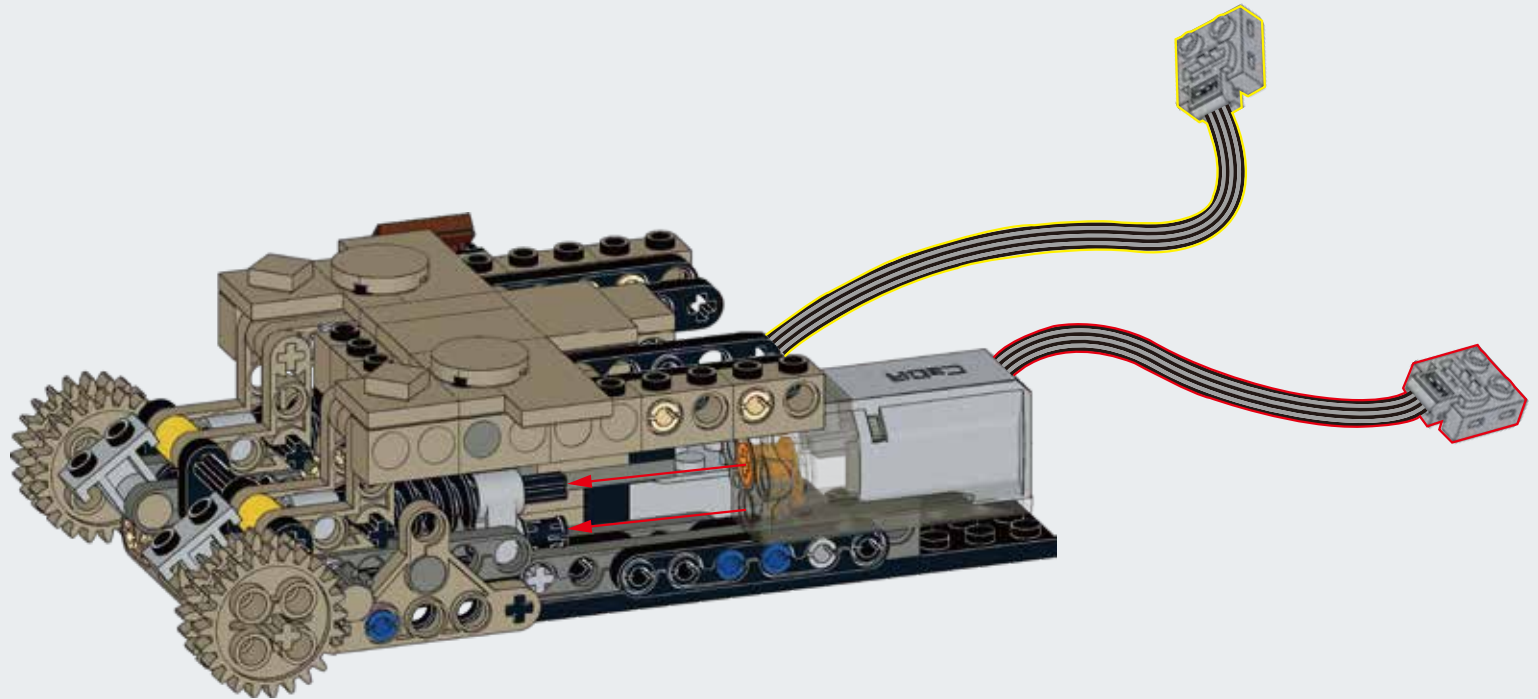


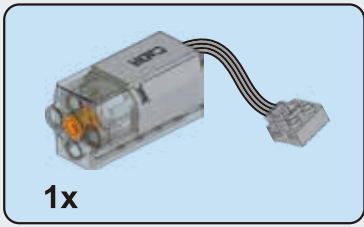


A76

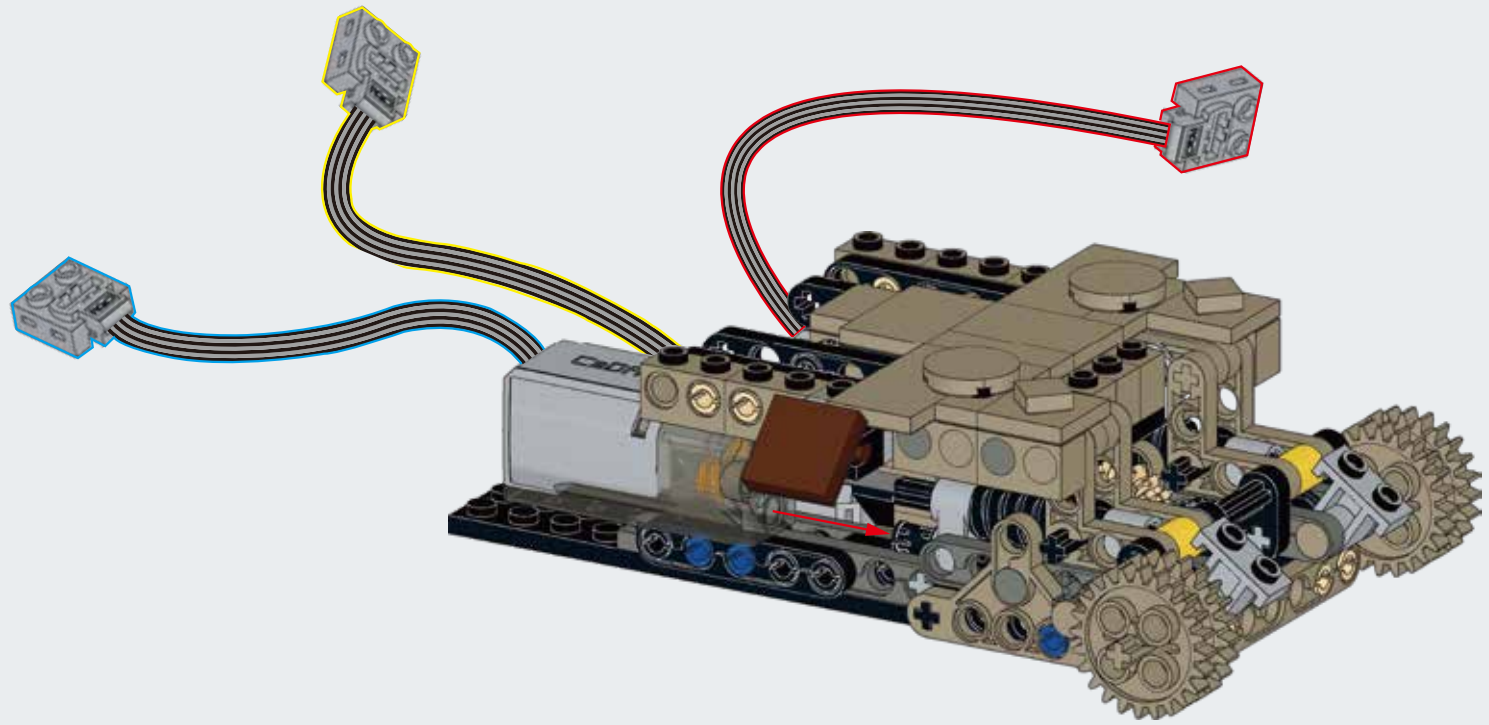


A77

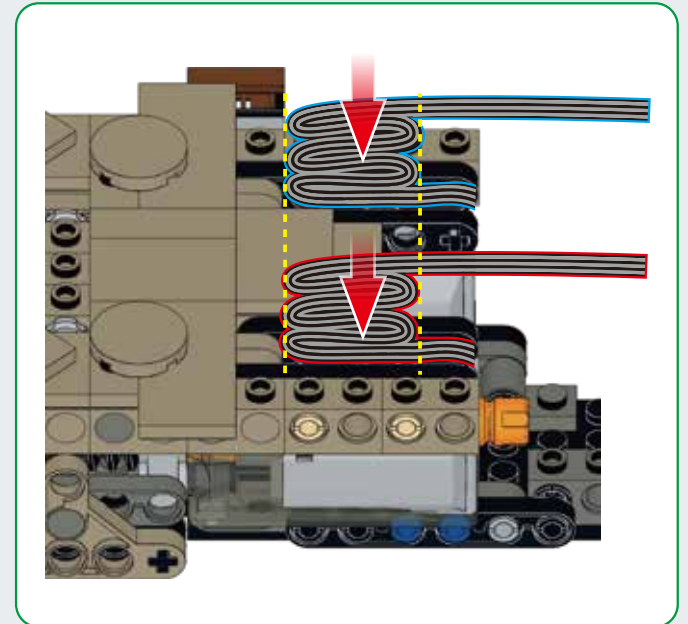
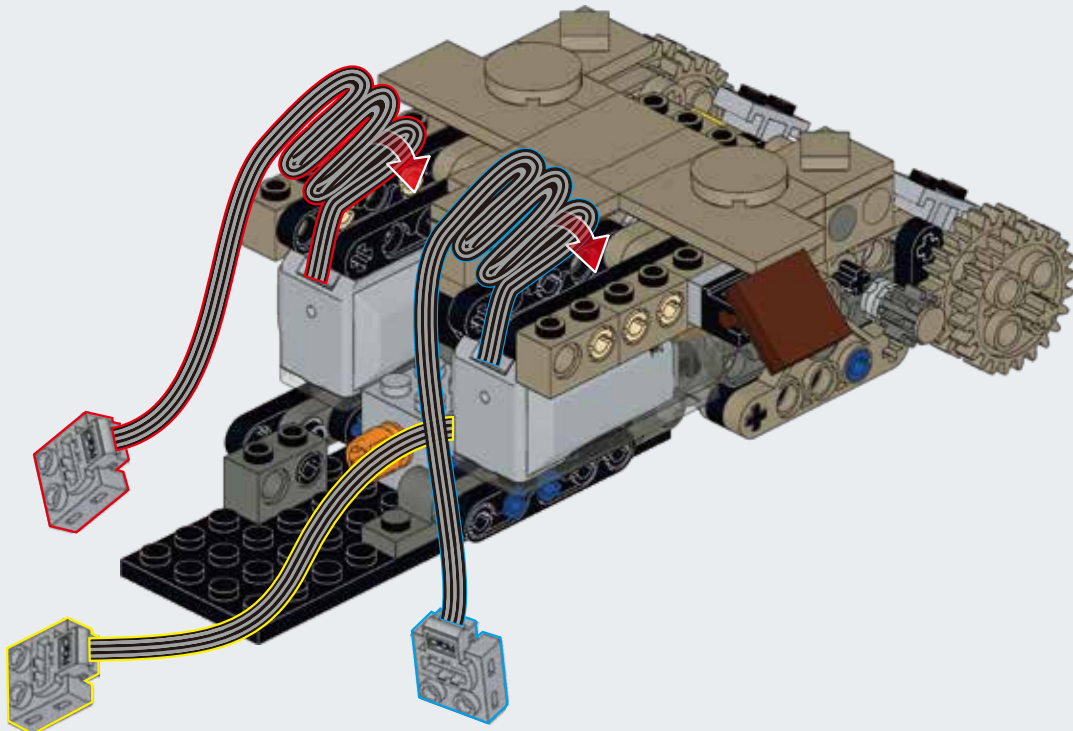




A78

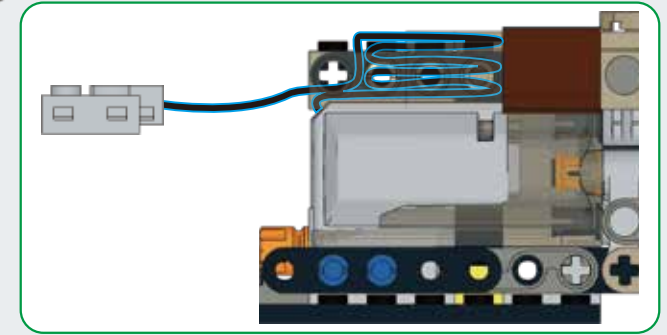
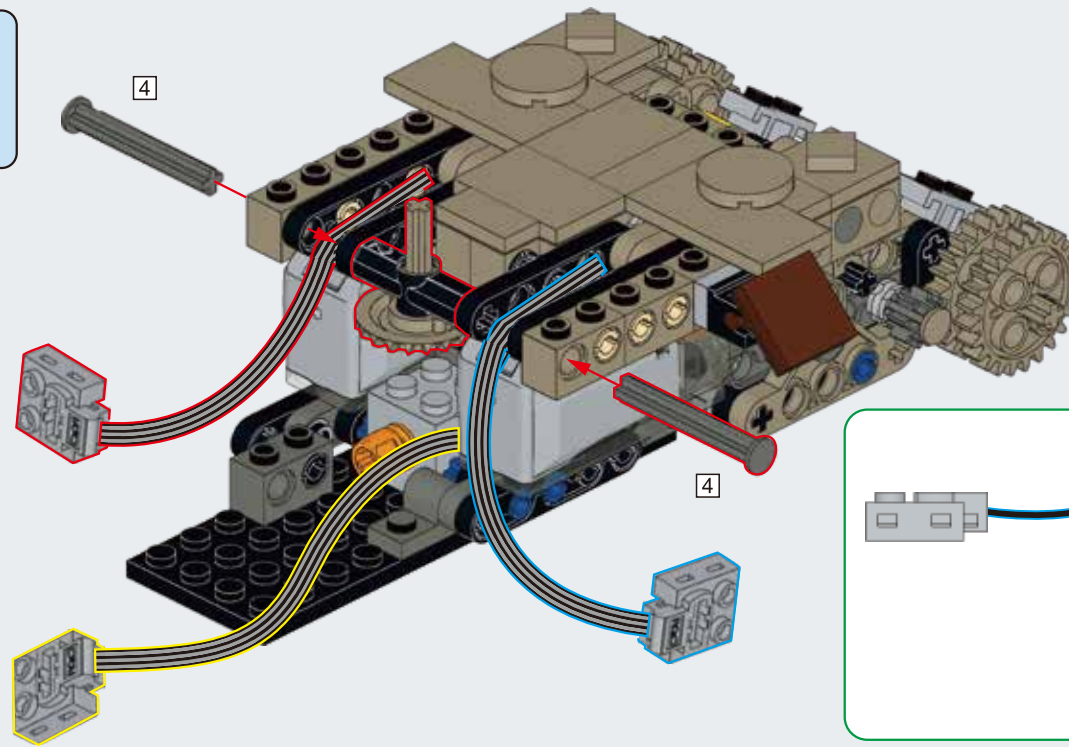
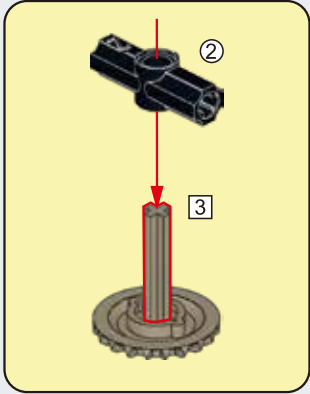


A79

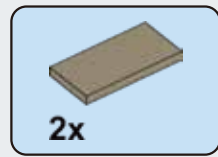
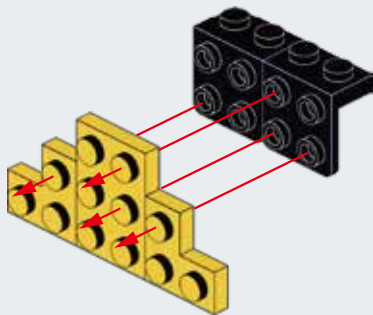




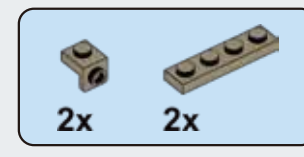
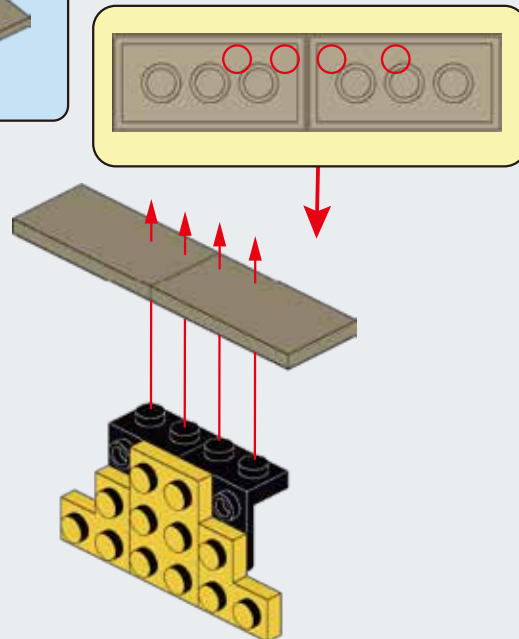
A80



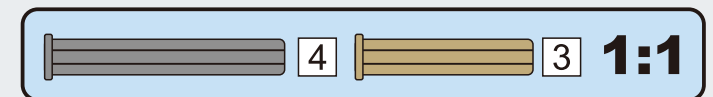
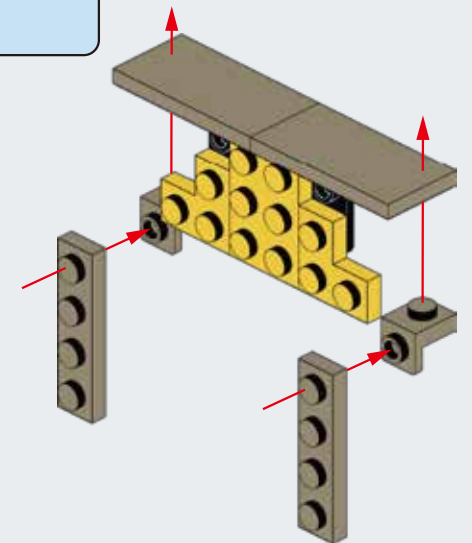
A81

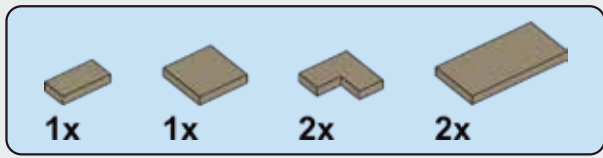


A82

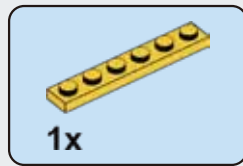
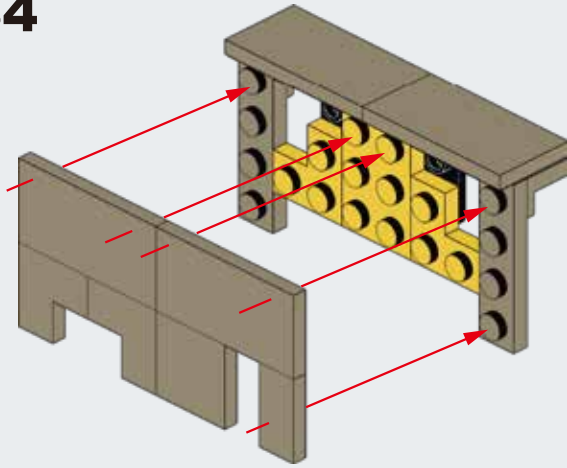


A83

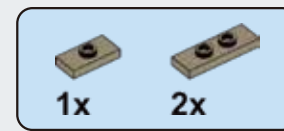
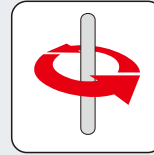
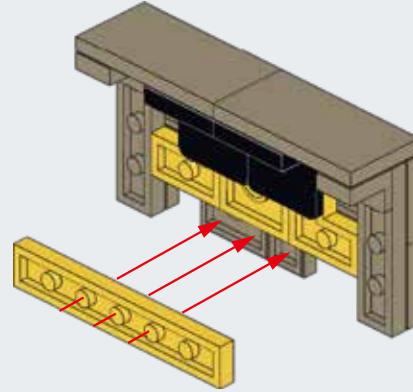




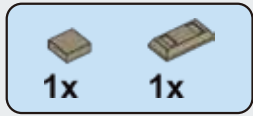
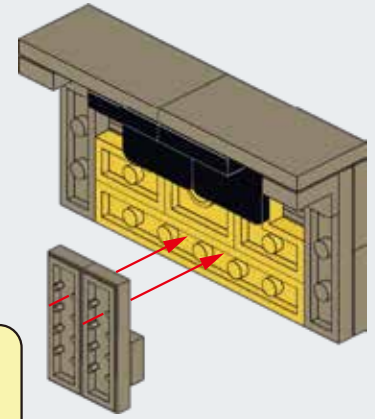
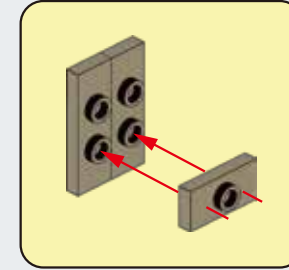
A84



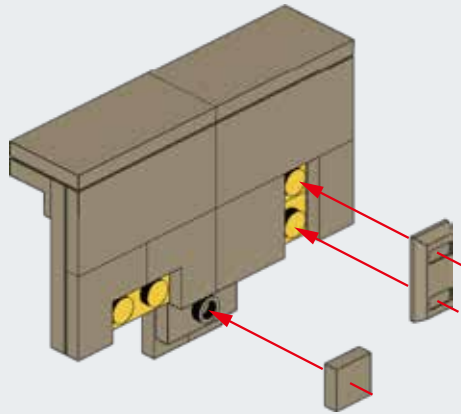
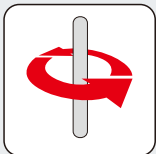
A85



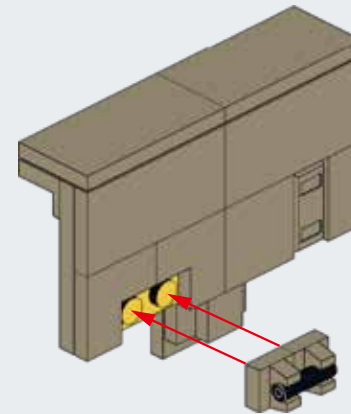
A86



A87

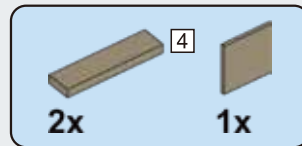
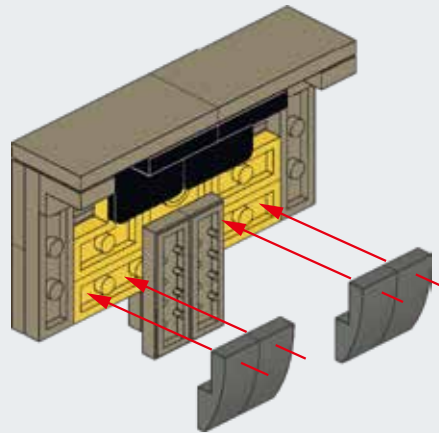
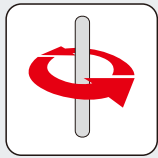


A88

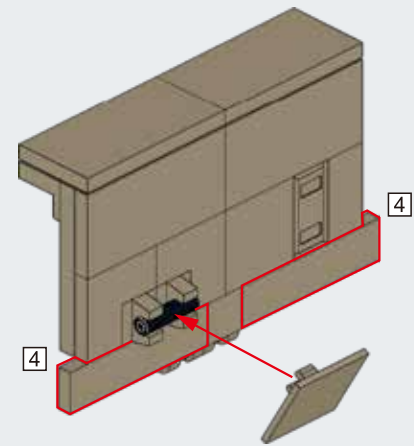
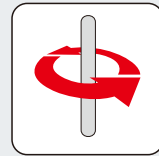




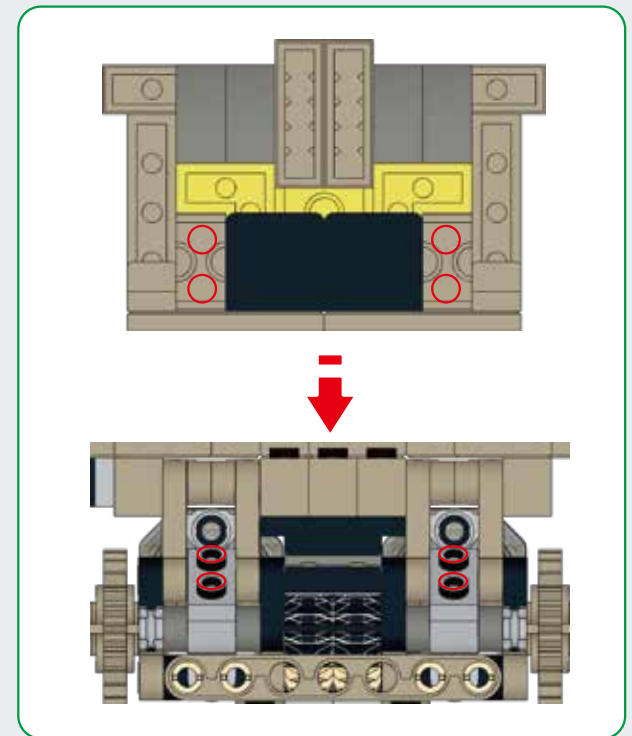
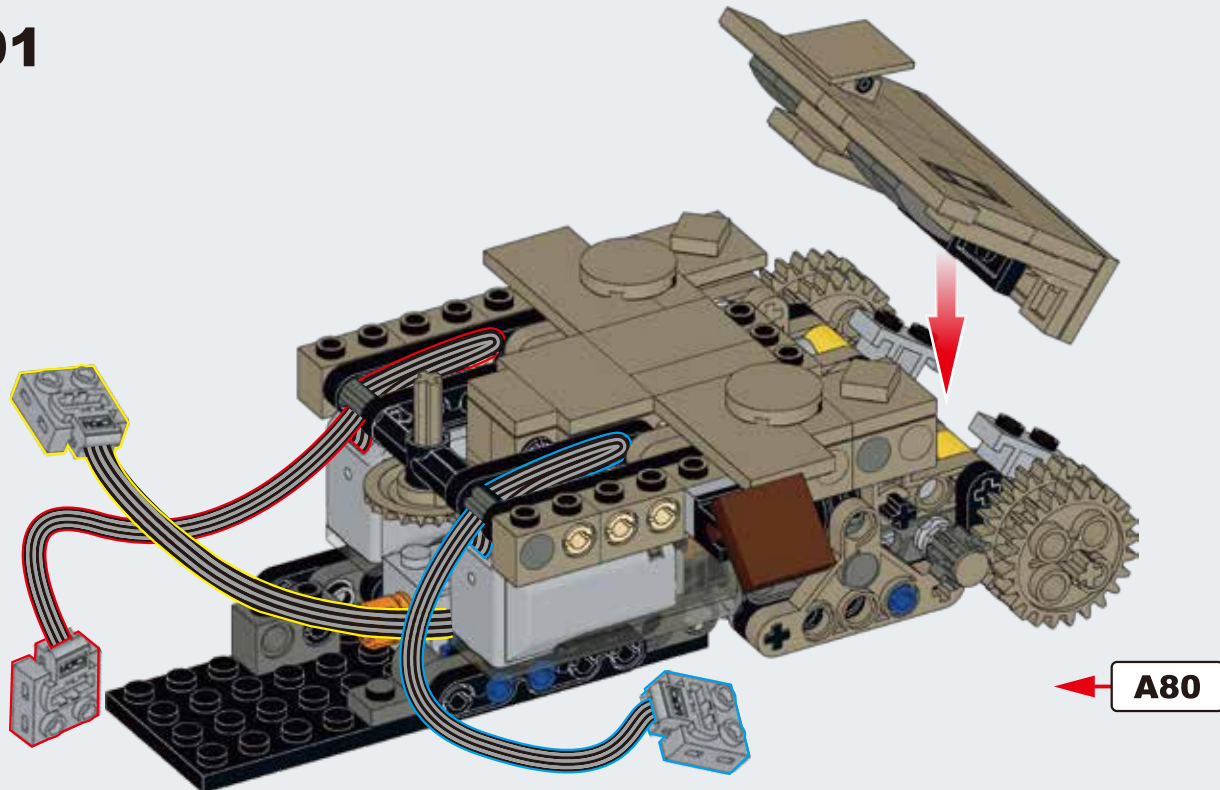
A89

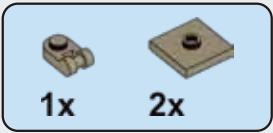


A90

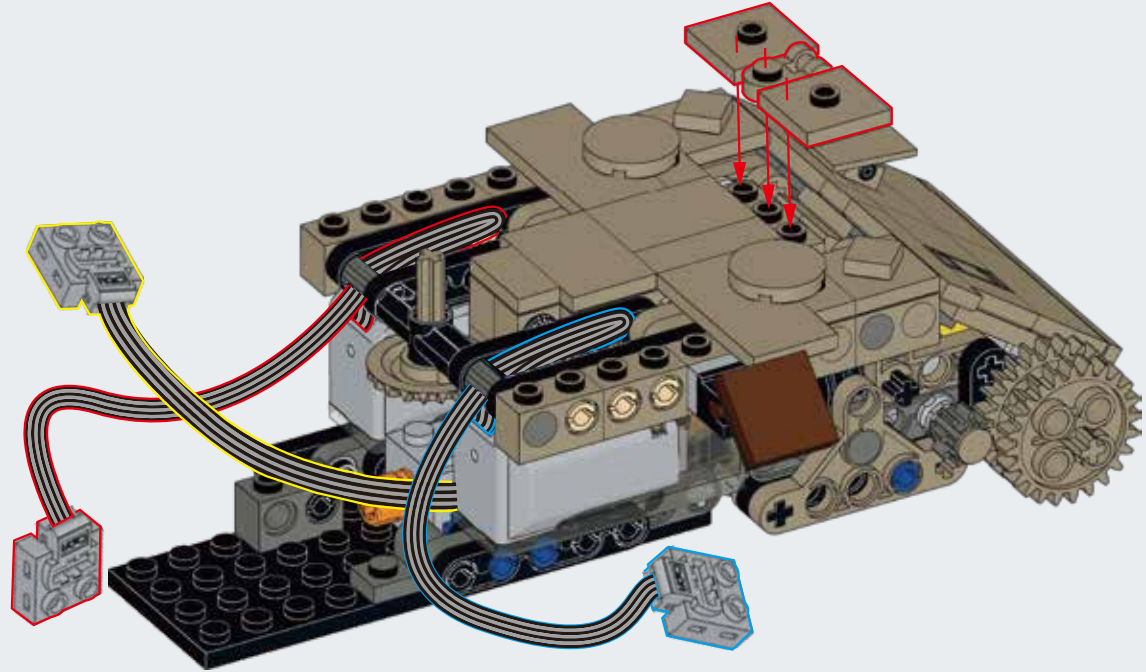


A91

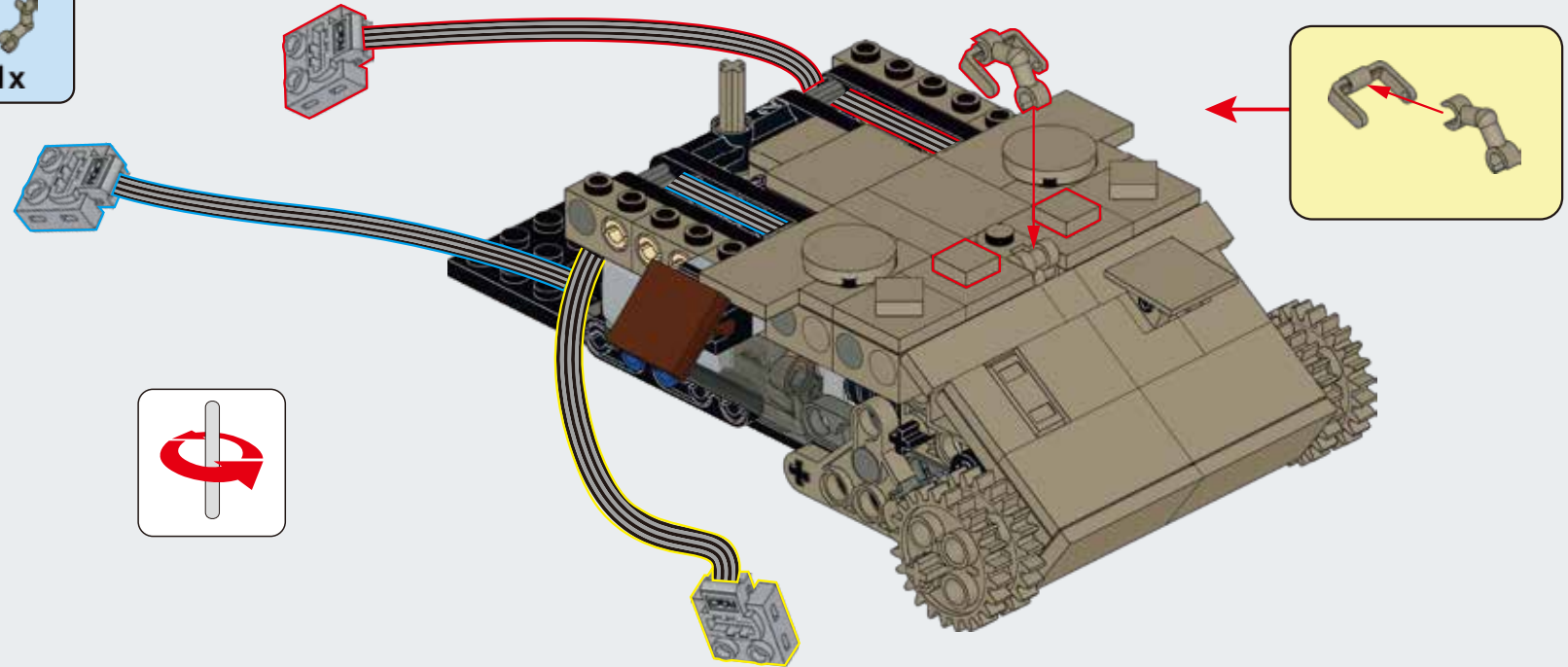




A92



A93



B

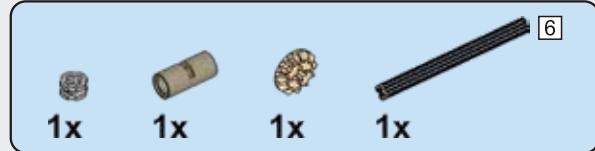
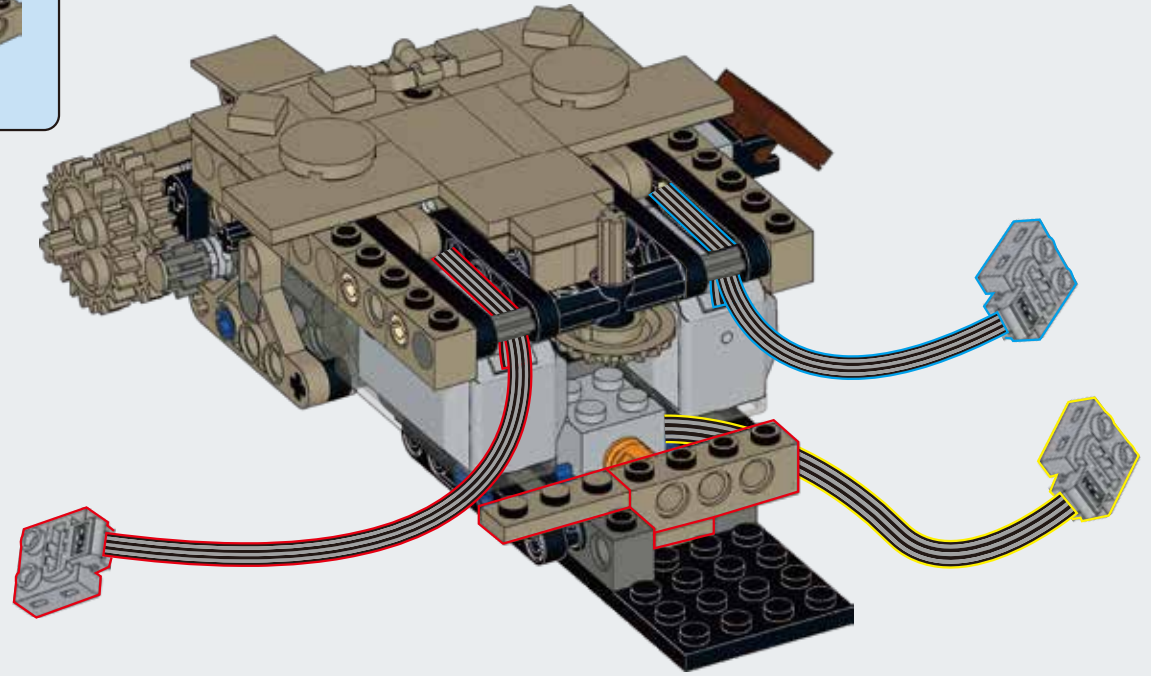
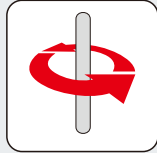


1x

1x

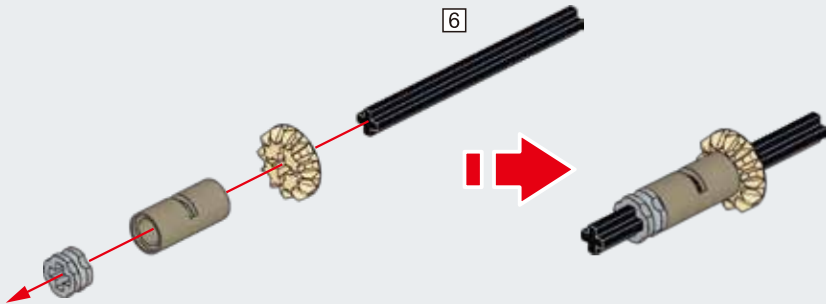
1x

B1

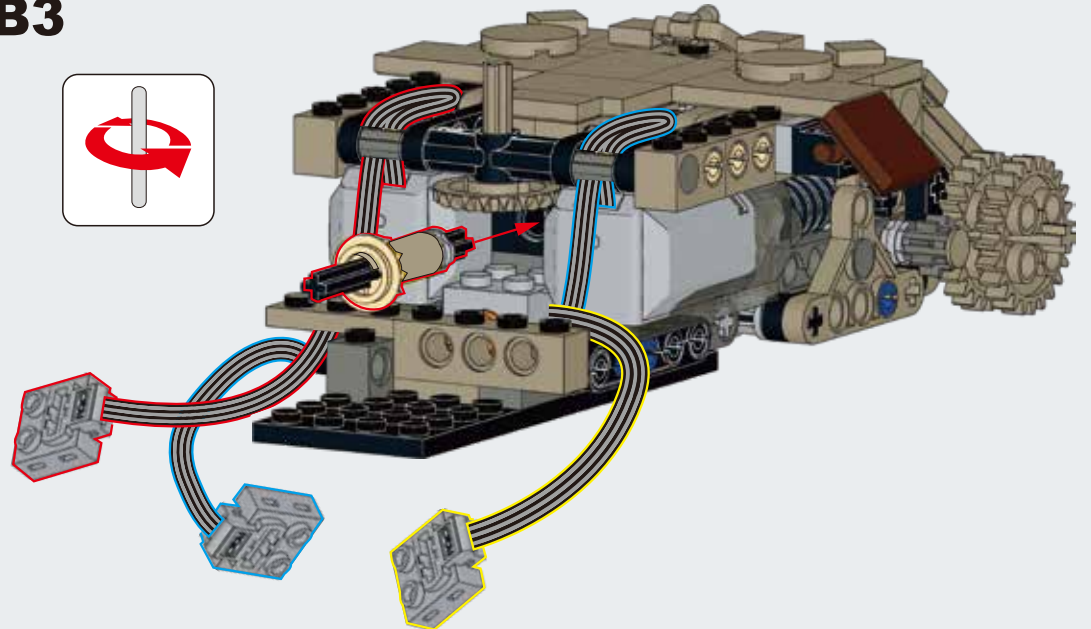
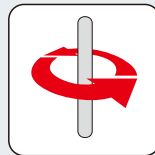


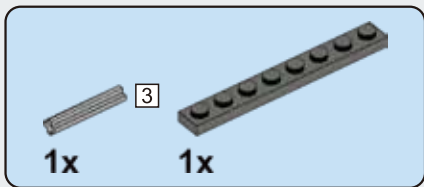
B2

6

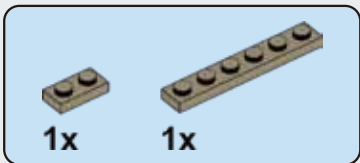
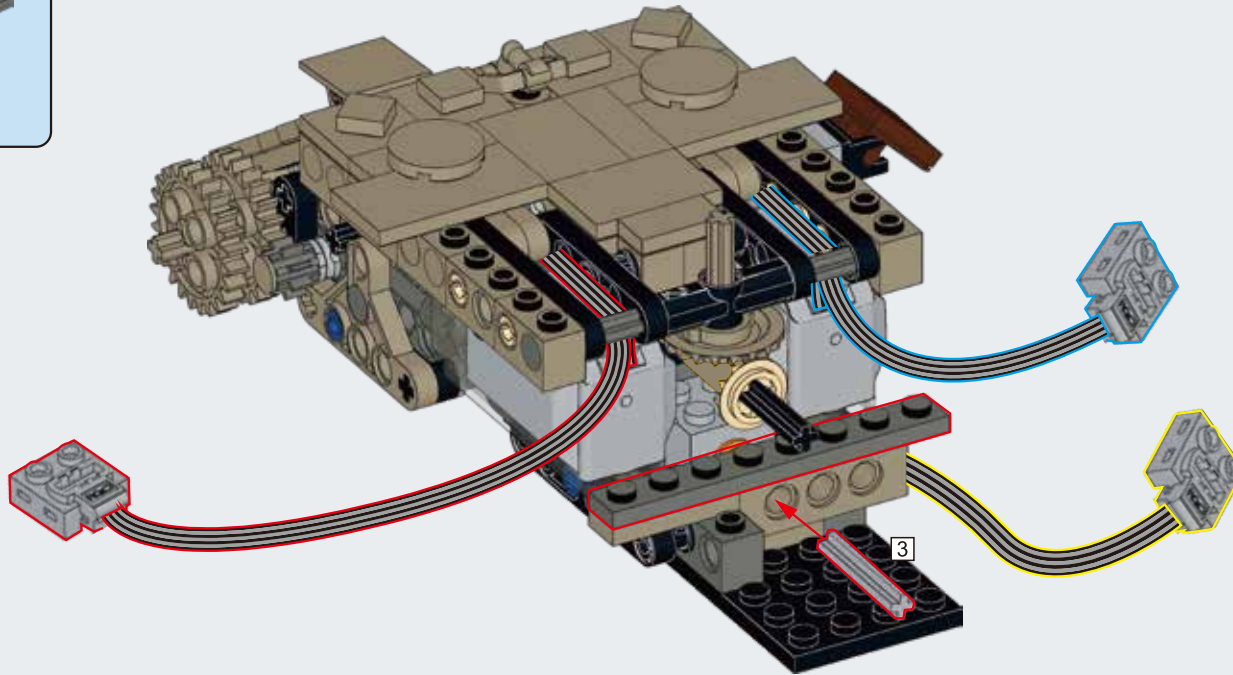


B3

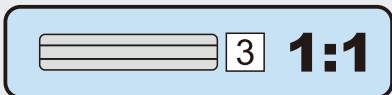
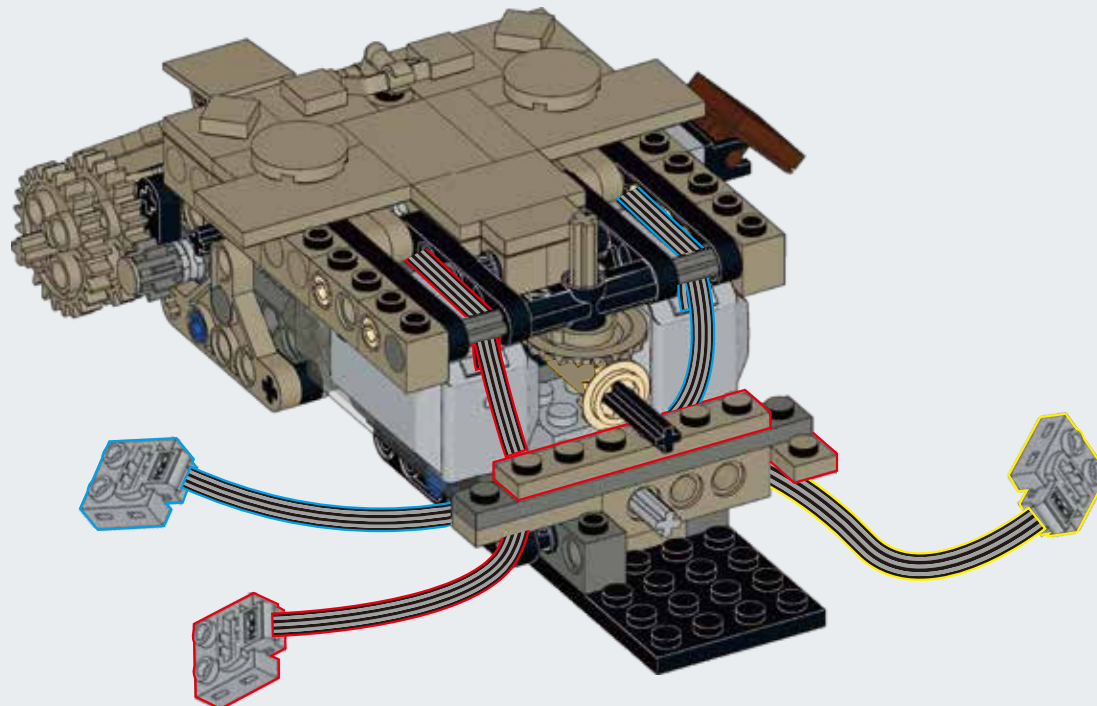




B4

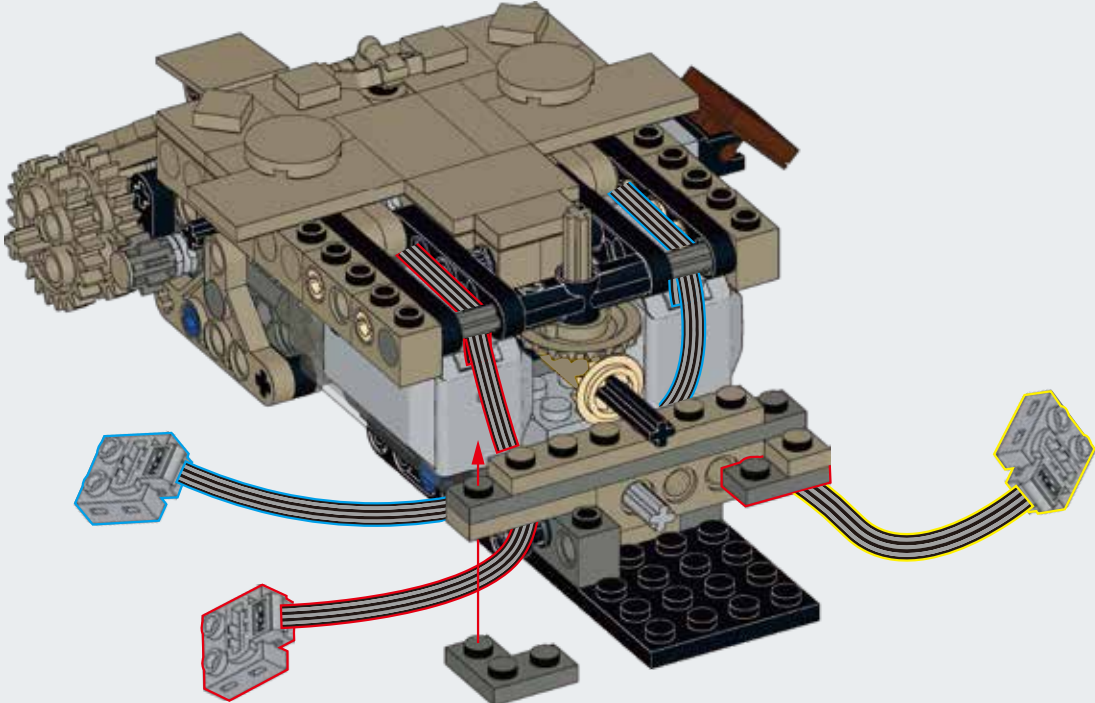


B5

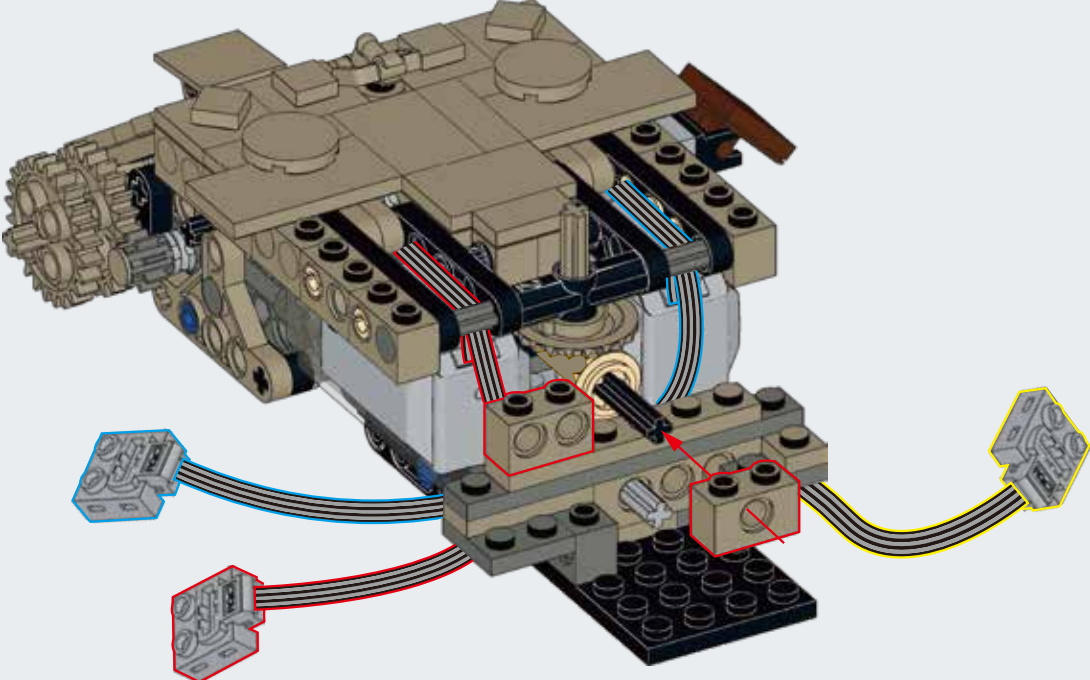


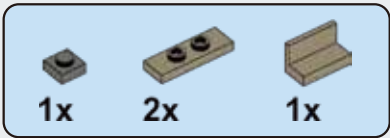


B6

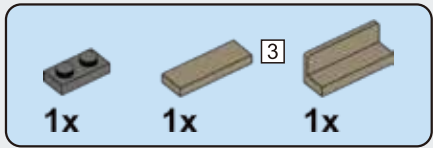
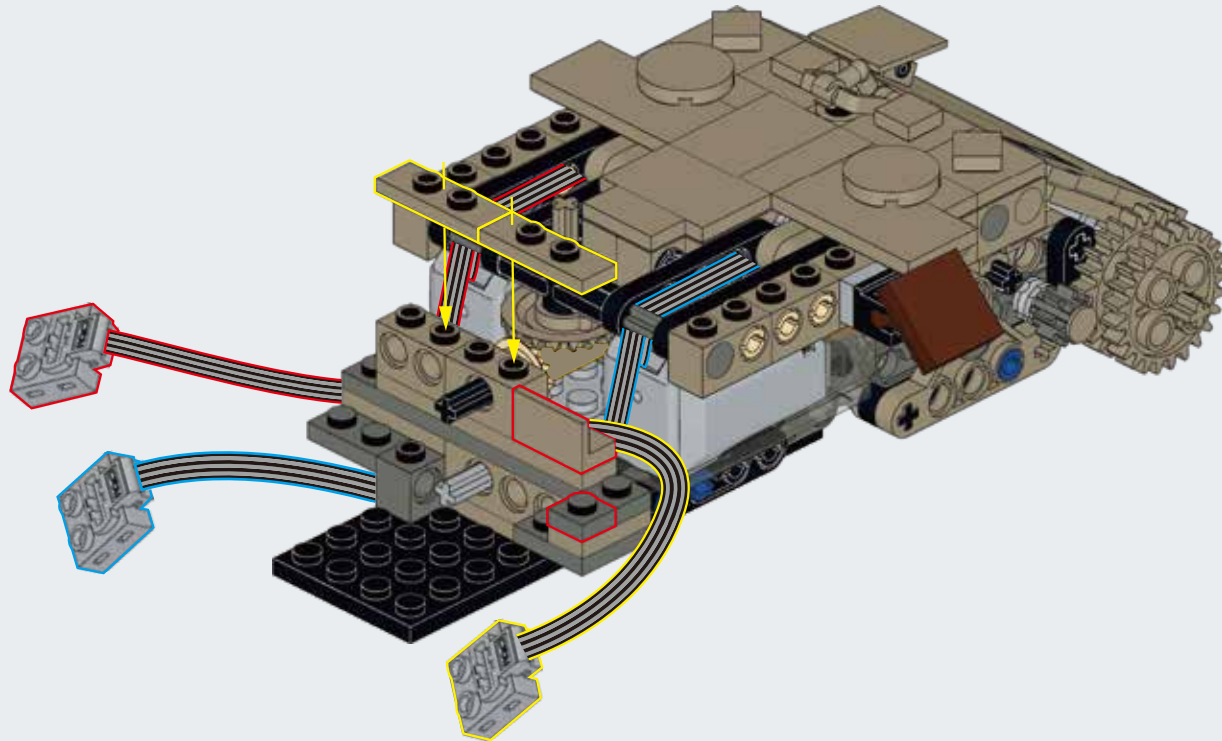


B7

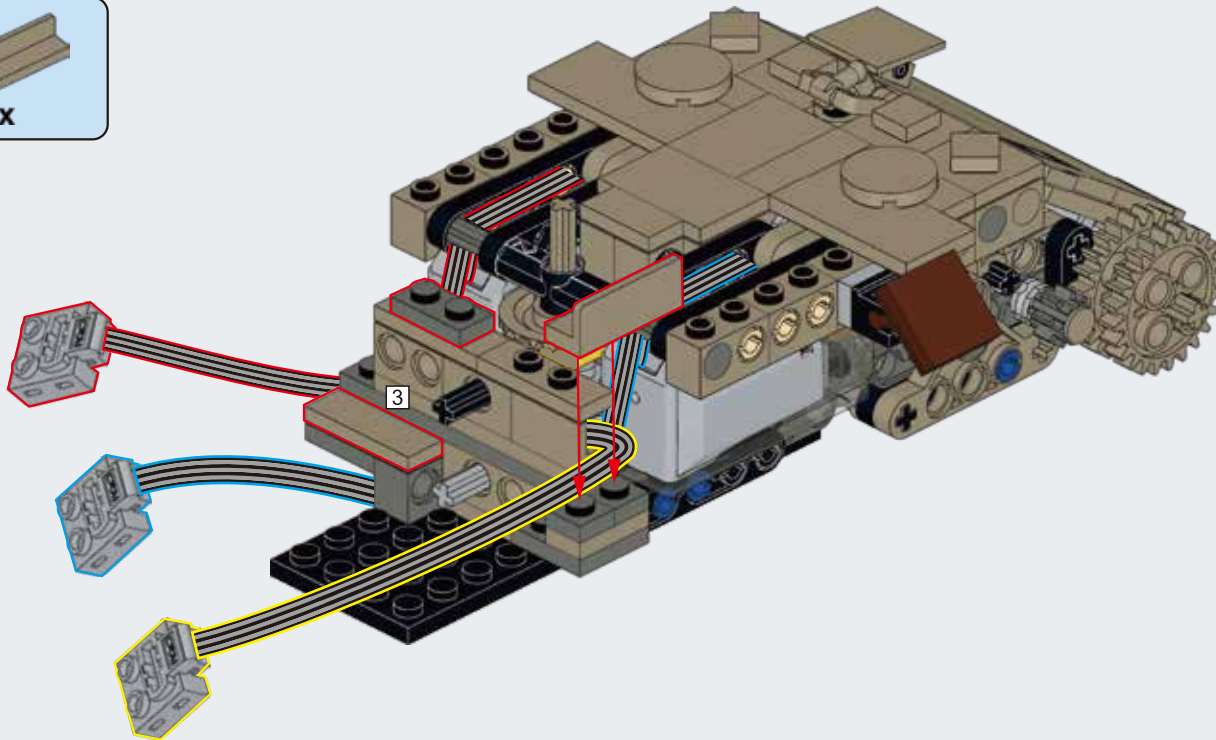


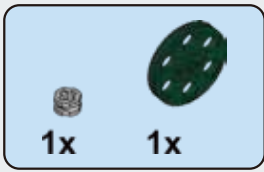


B8

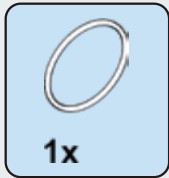
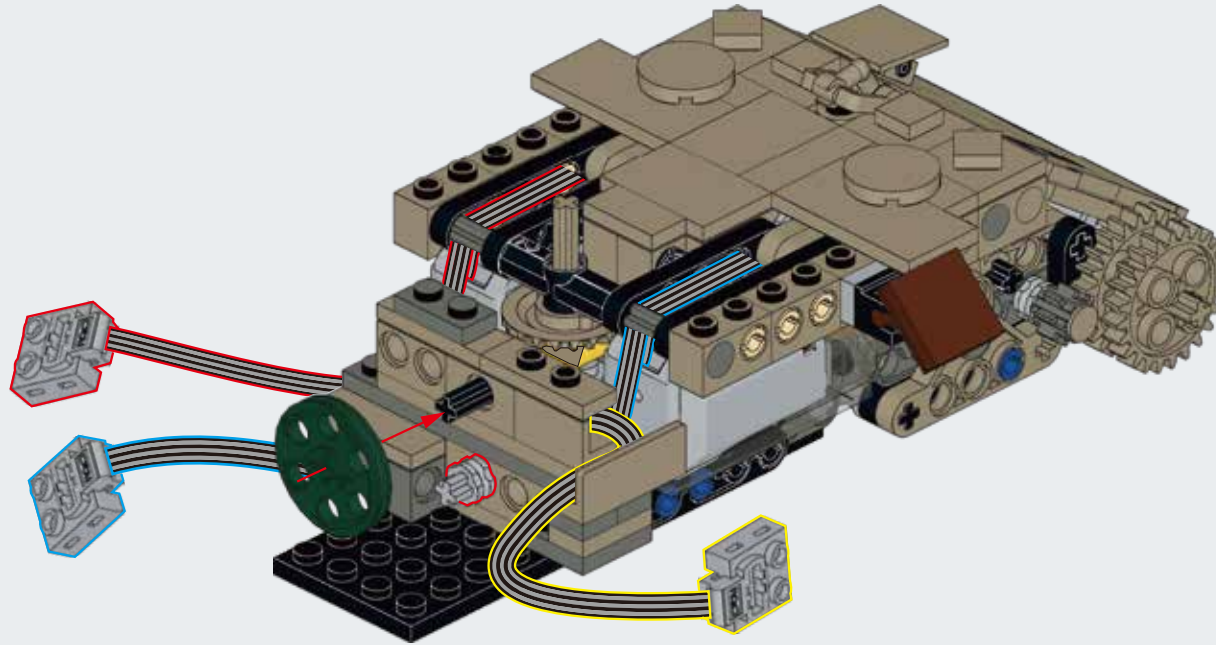


B9

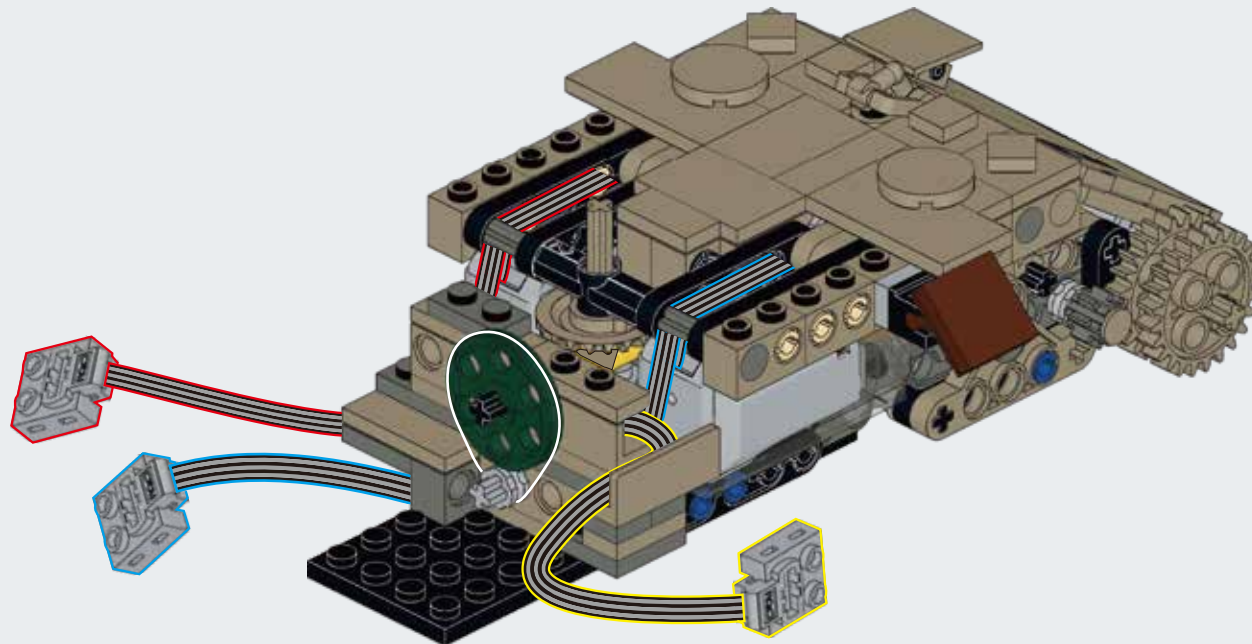


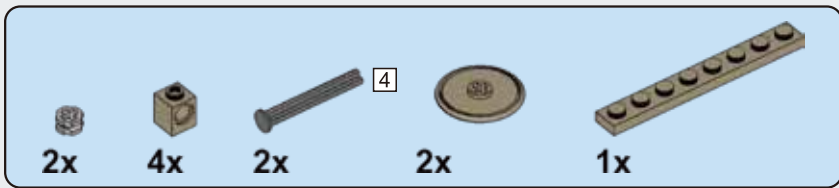


B10

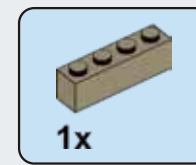
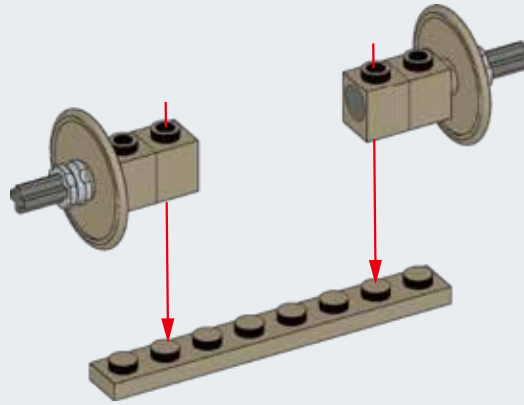
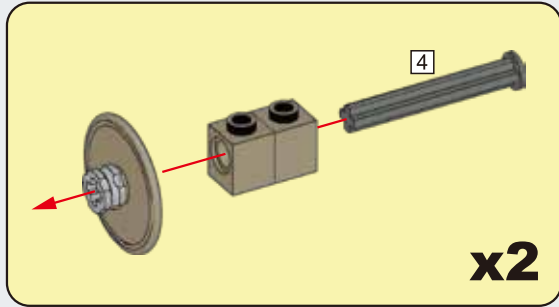


B11

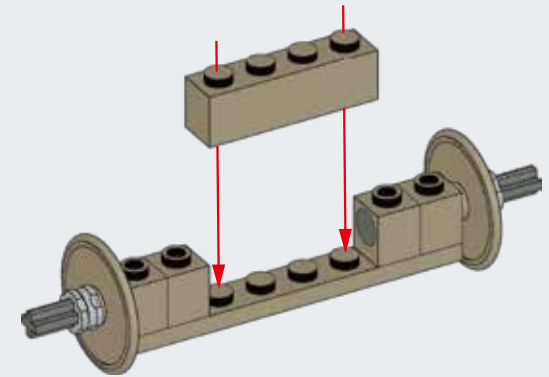




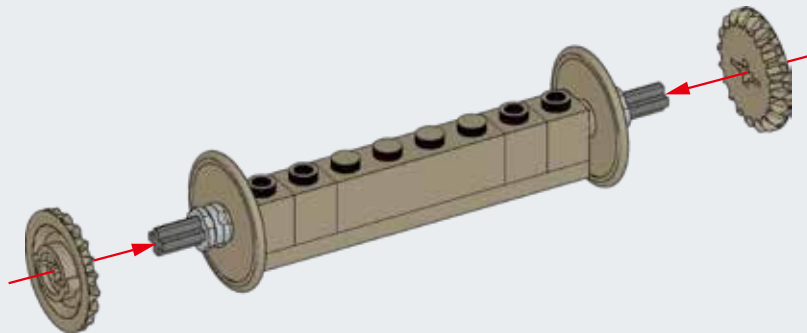
B12



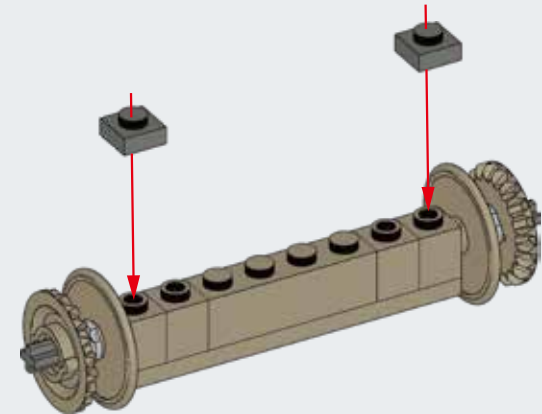
B13



B14

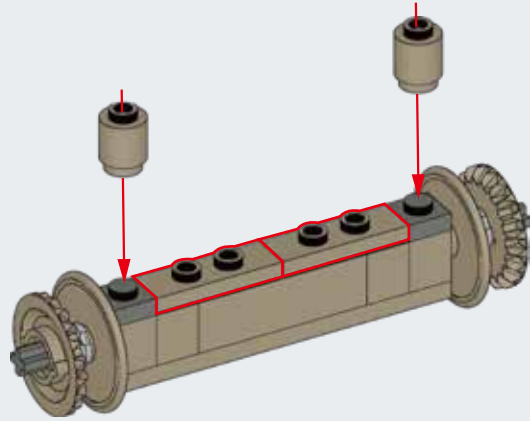


B15

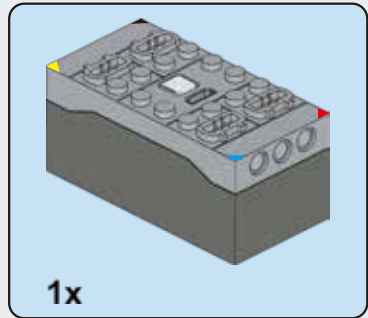
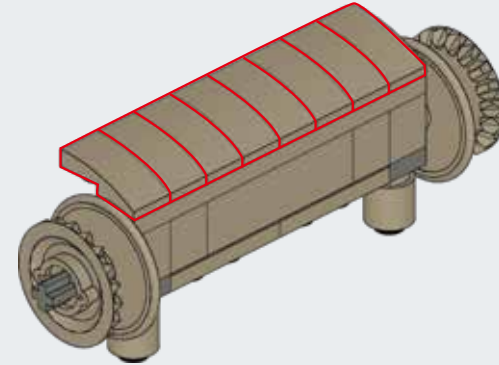
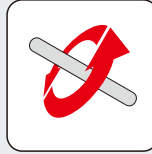




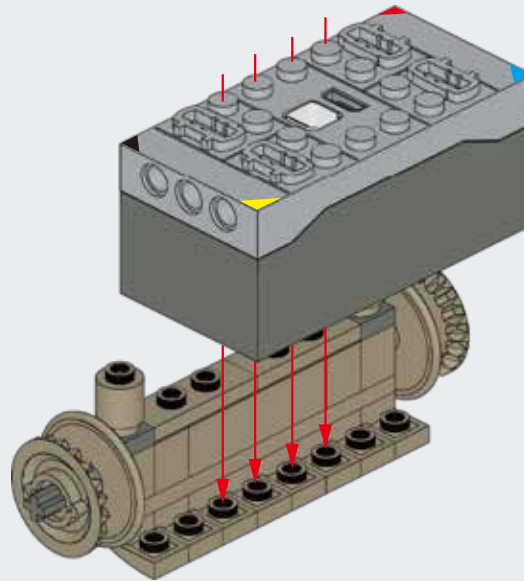
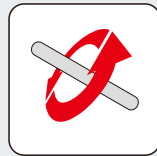
B16



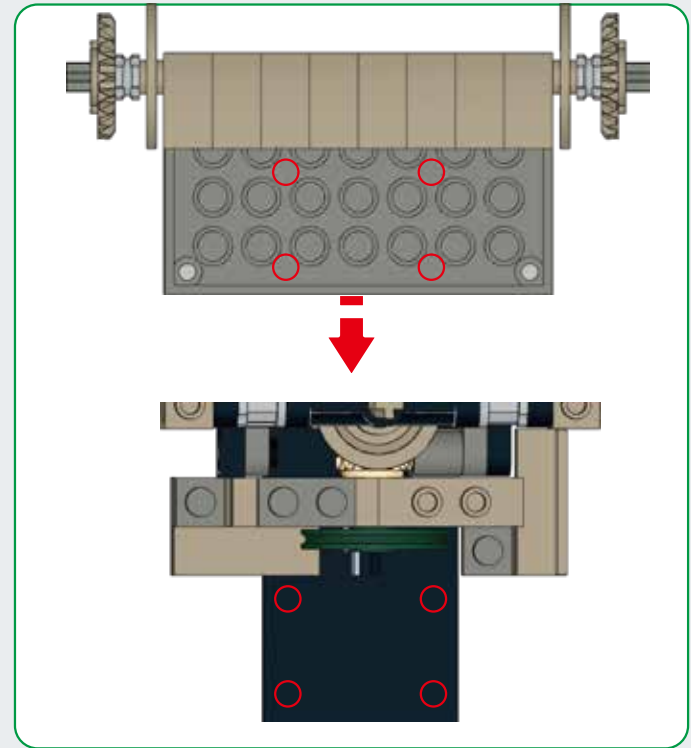
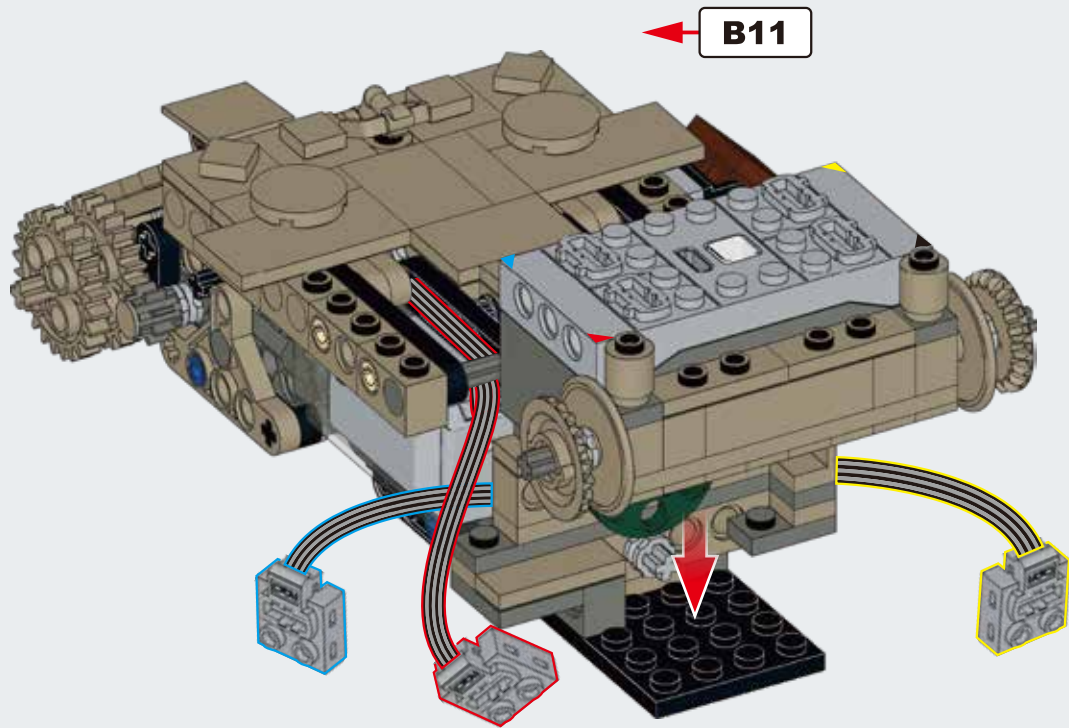
B17



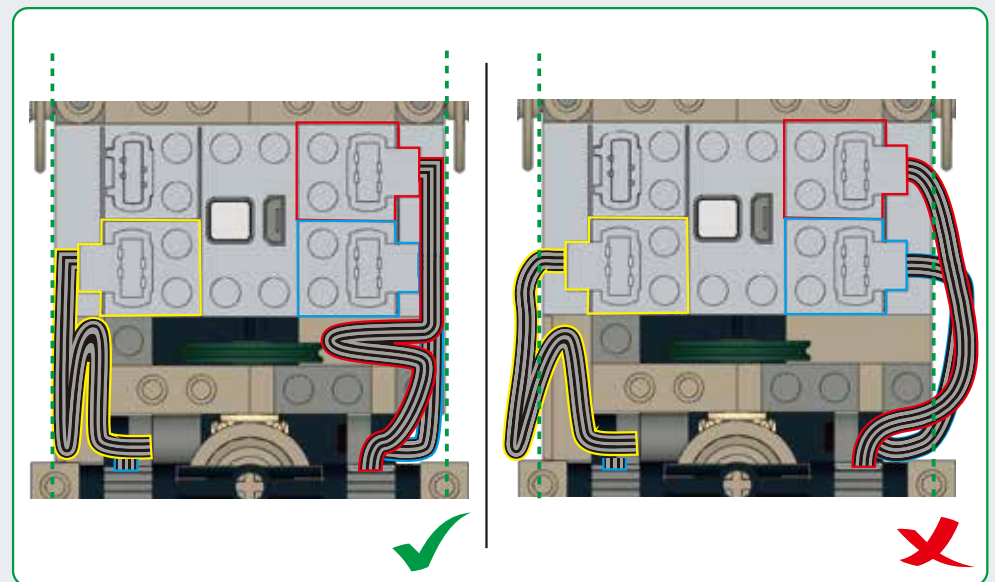
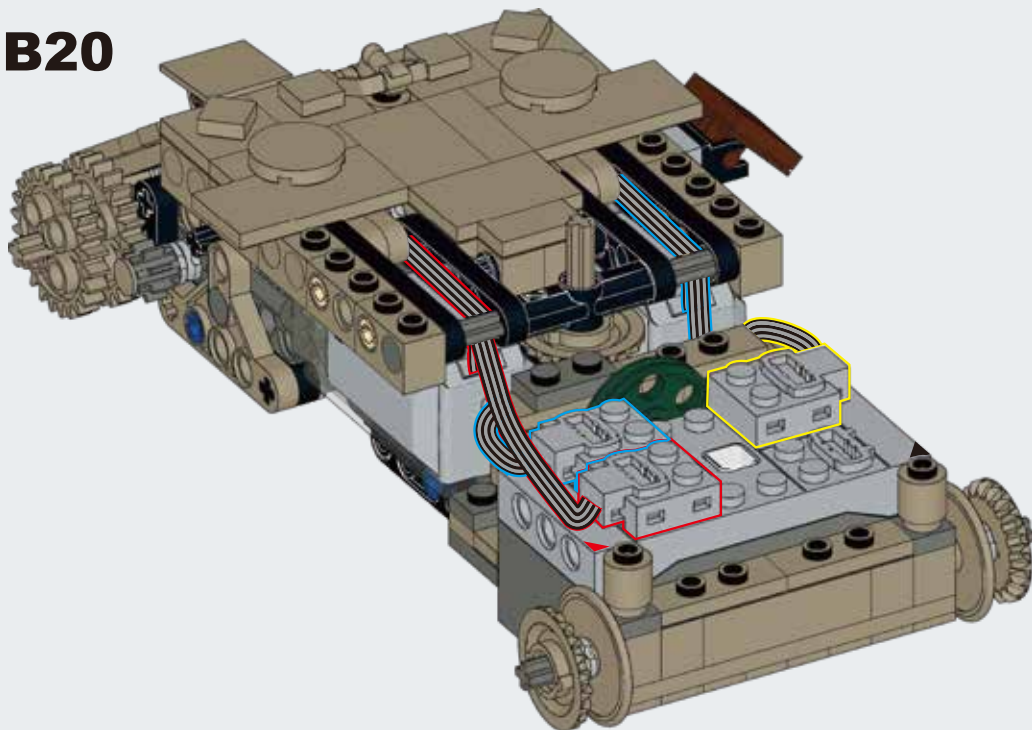
B18

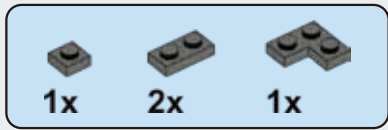


B19

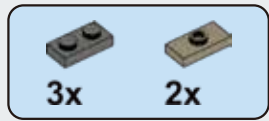
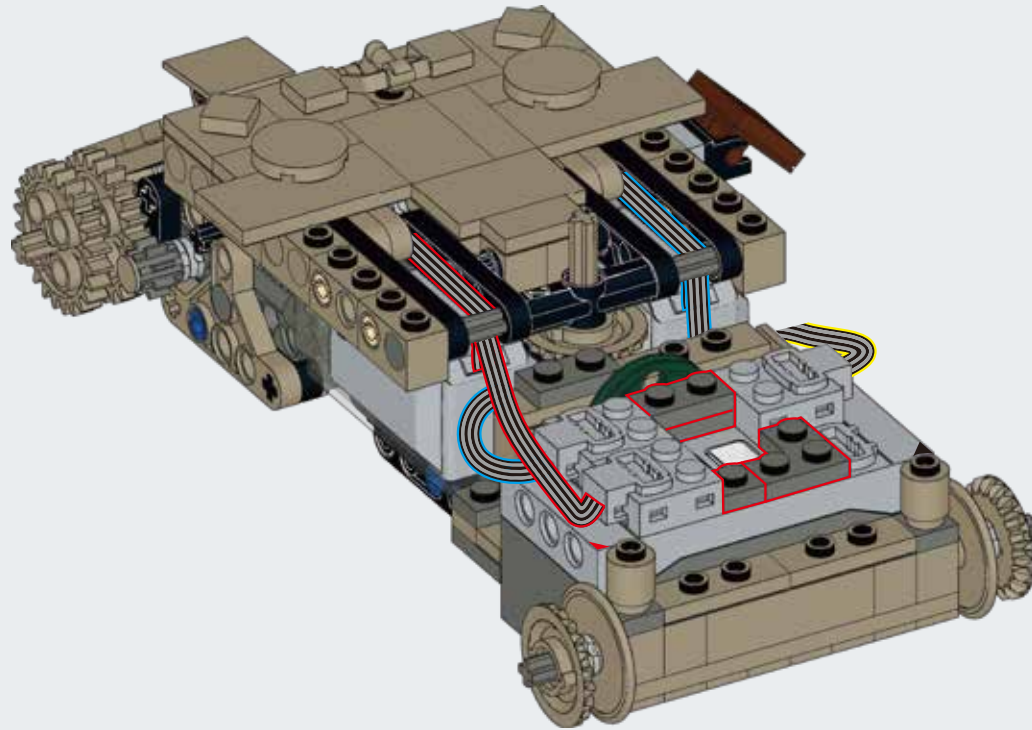


B20

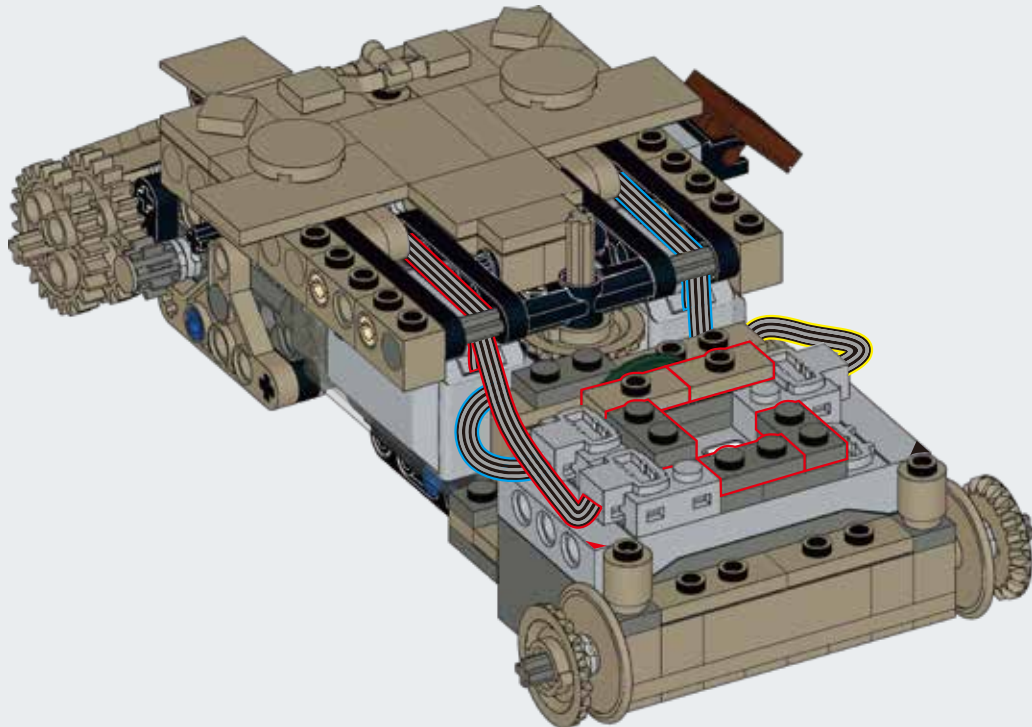


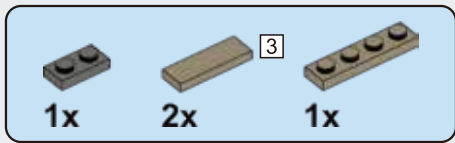


B21

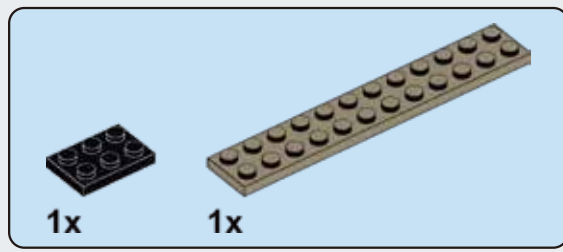
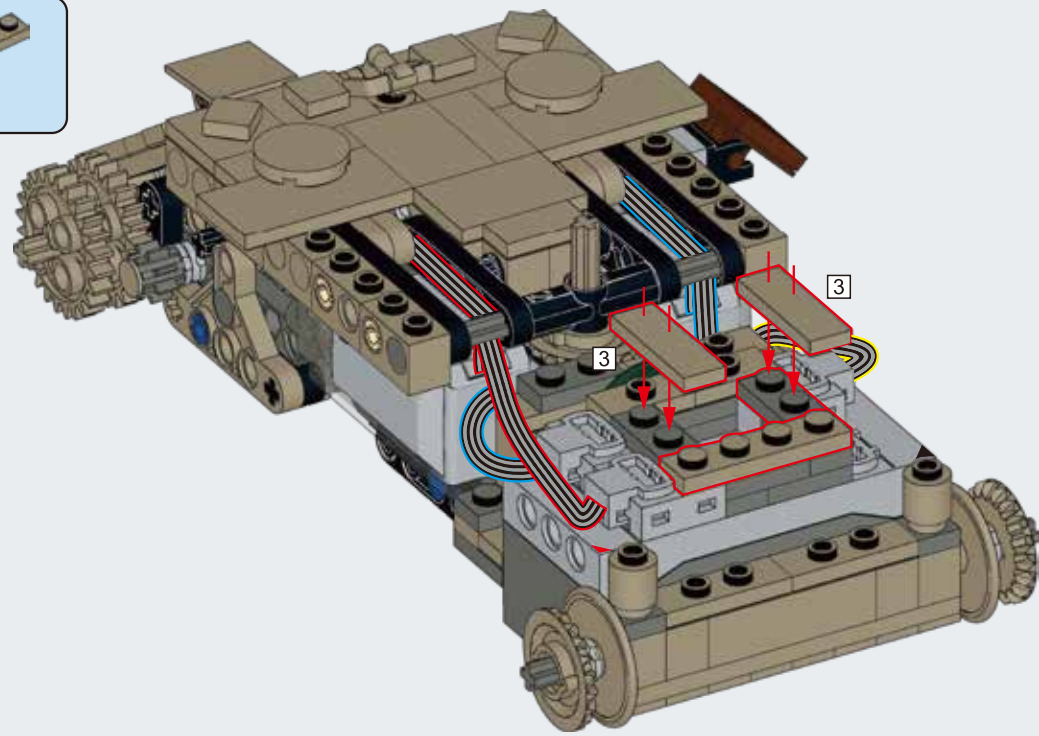


B22

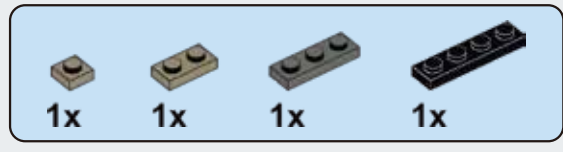
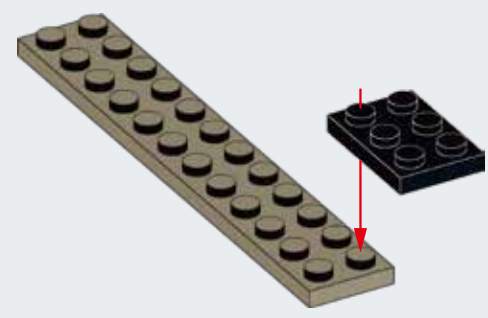




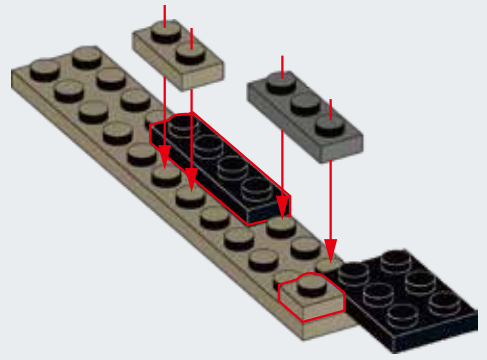
B23

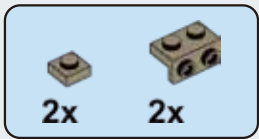


B24

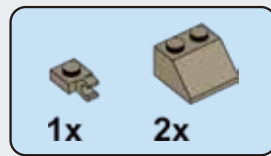
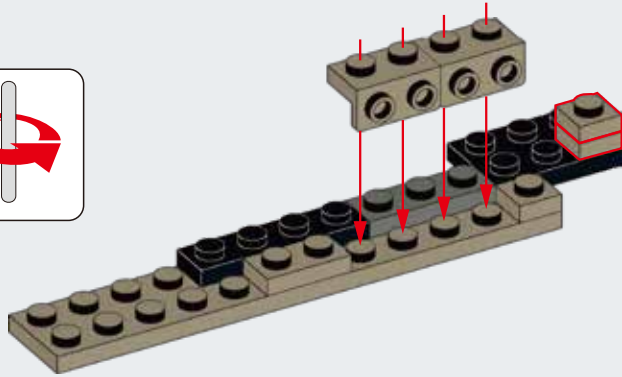
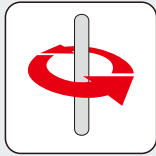


B25

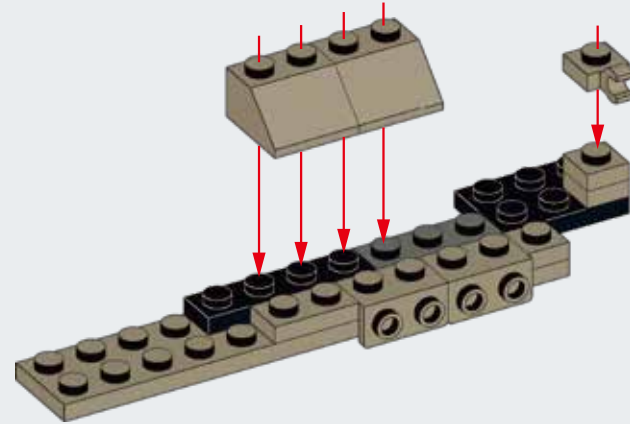




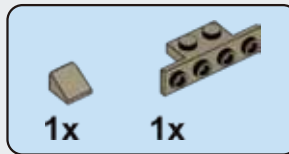
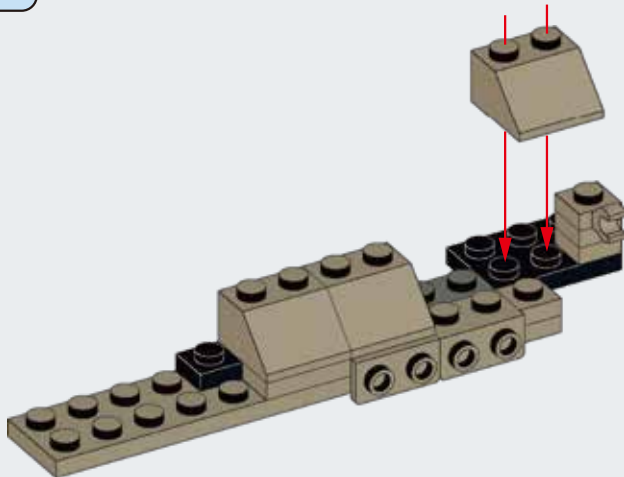
B26



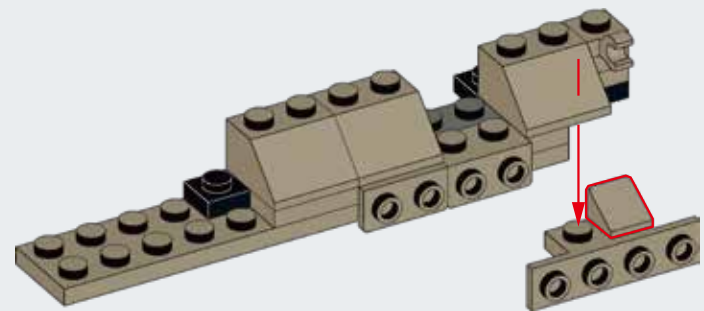
B27

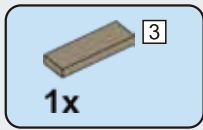


B28

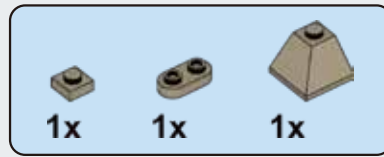
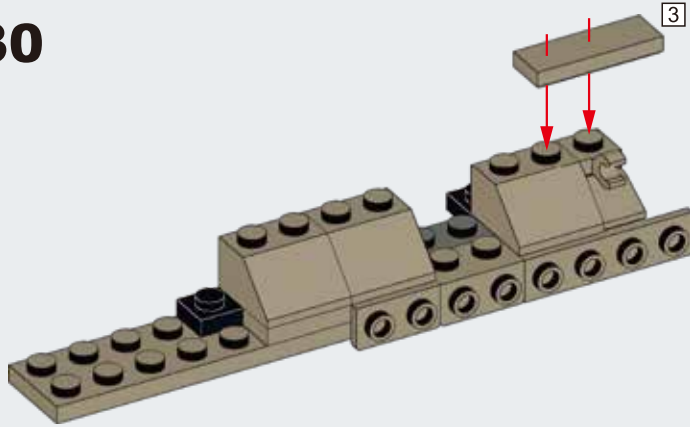


B29

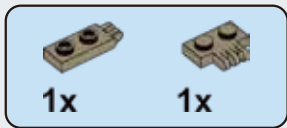
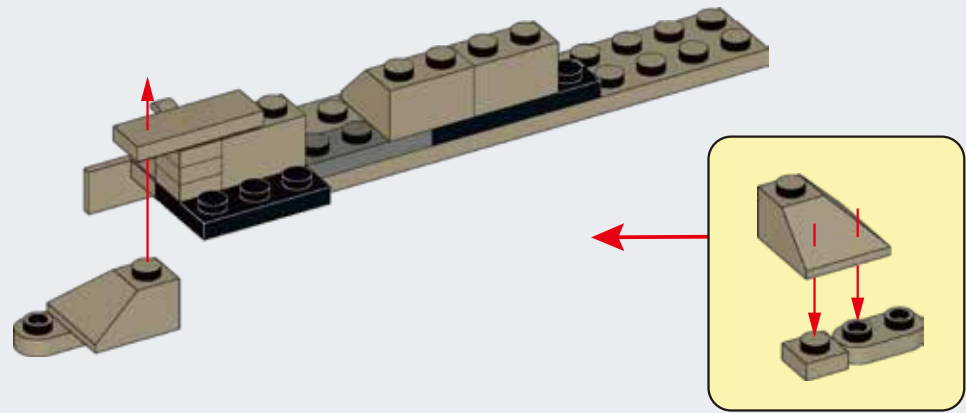
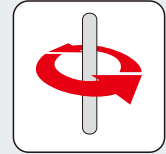




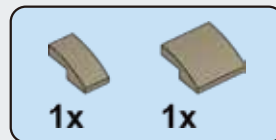
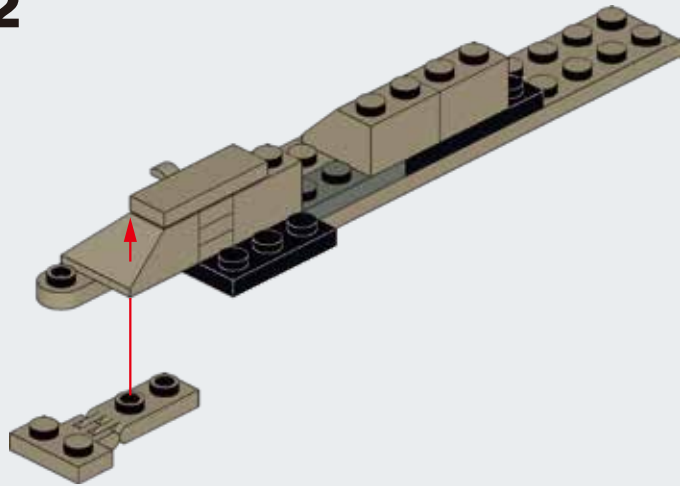
B30



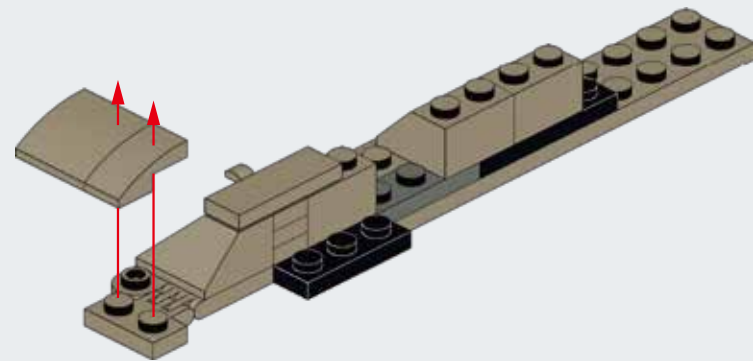
B31

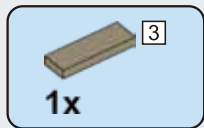


B32

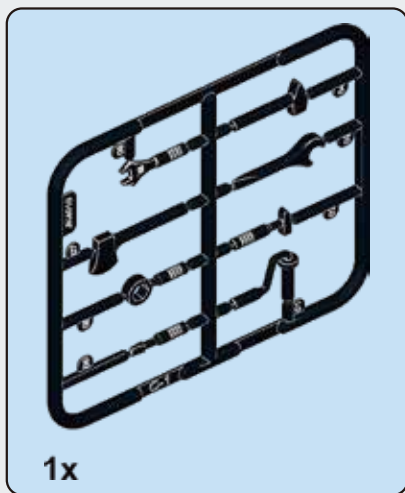
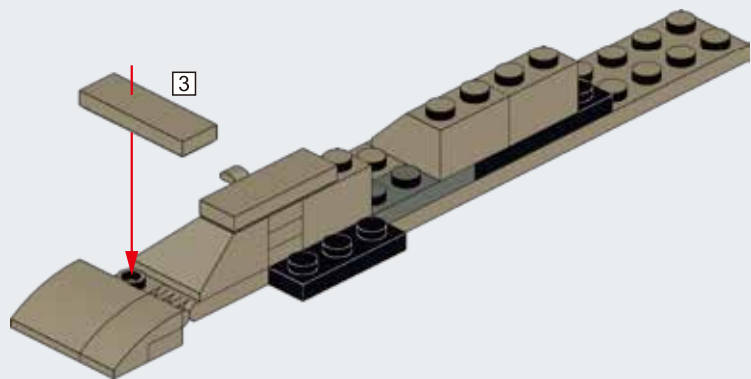


B33

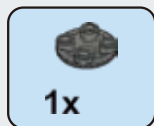
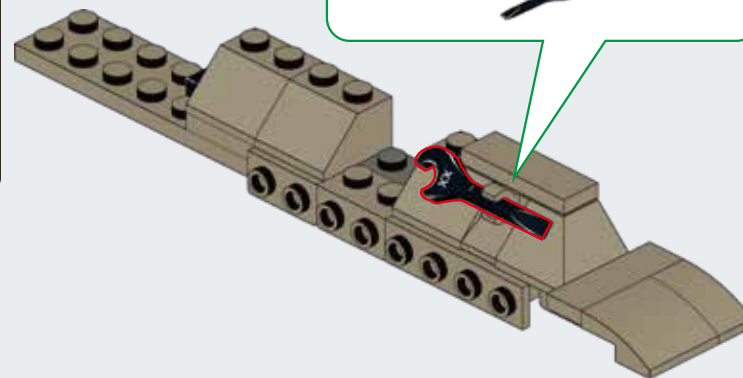
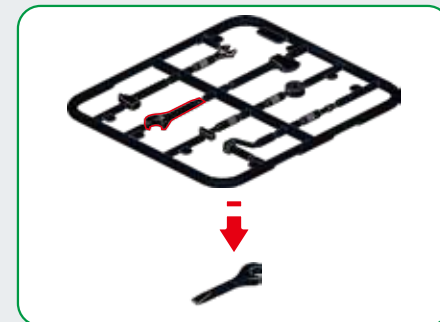




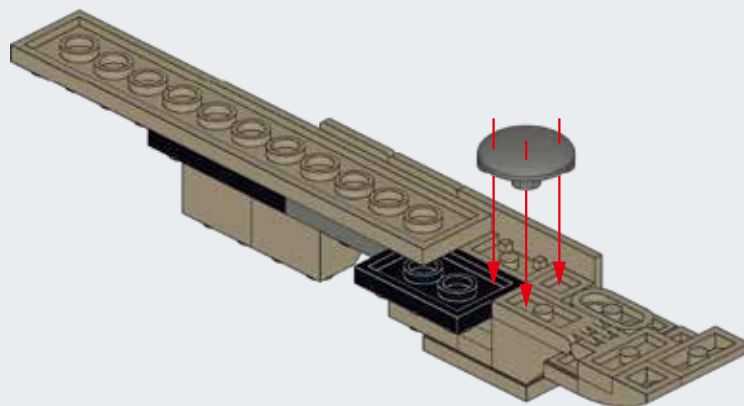
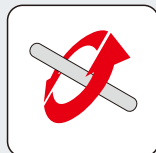
B34



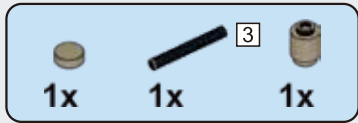
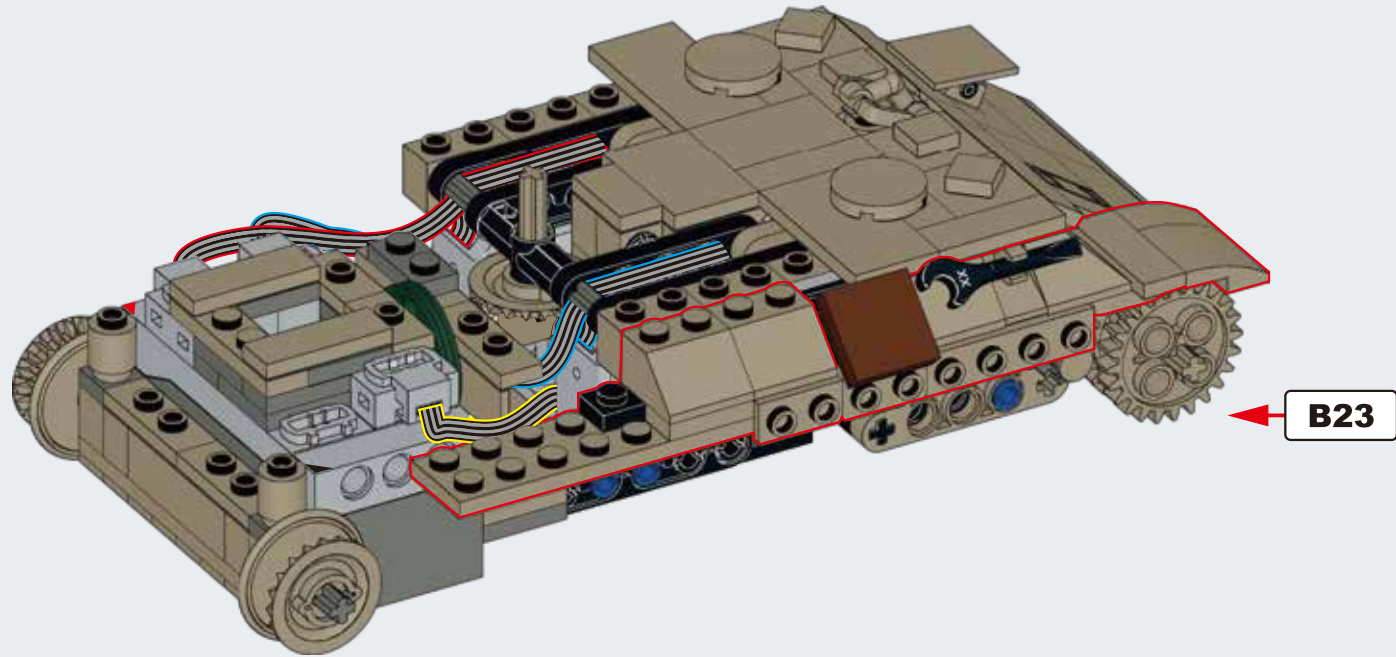
B35



B36



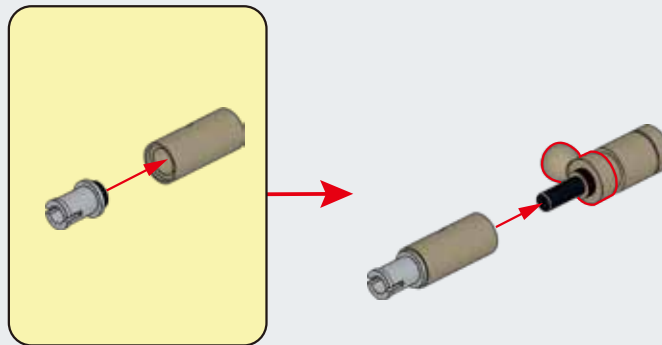
B37



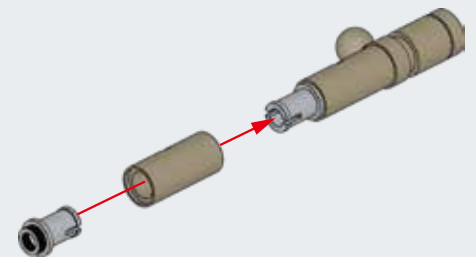
B38

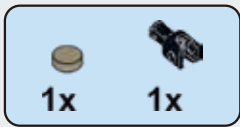


B39

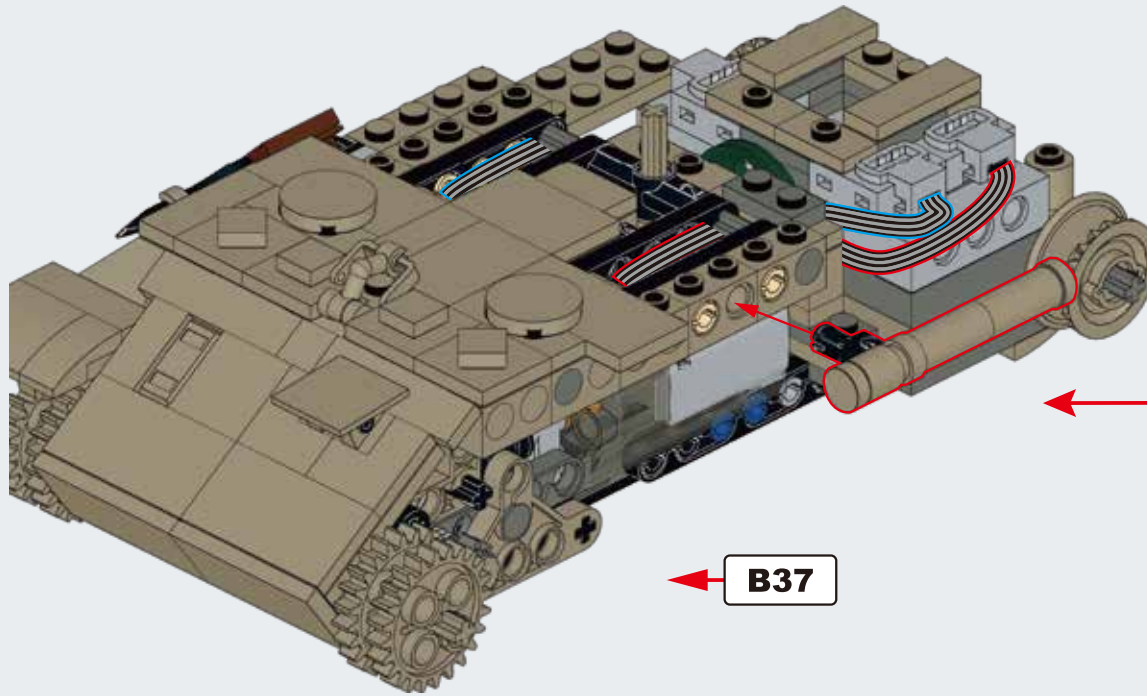


B40

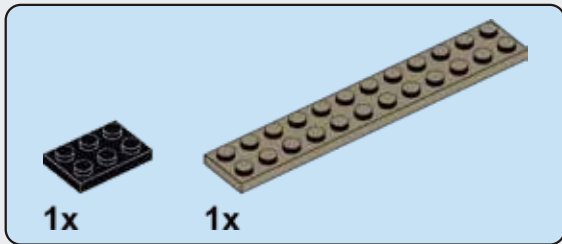
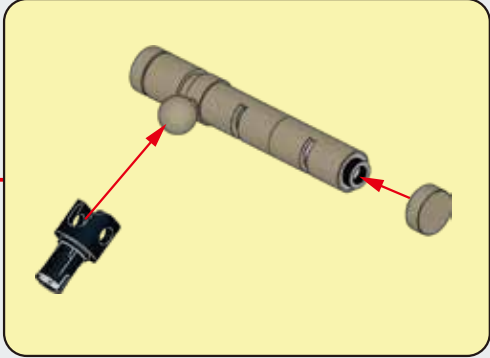




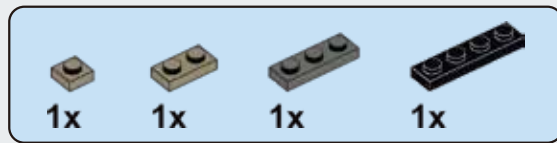
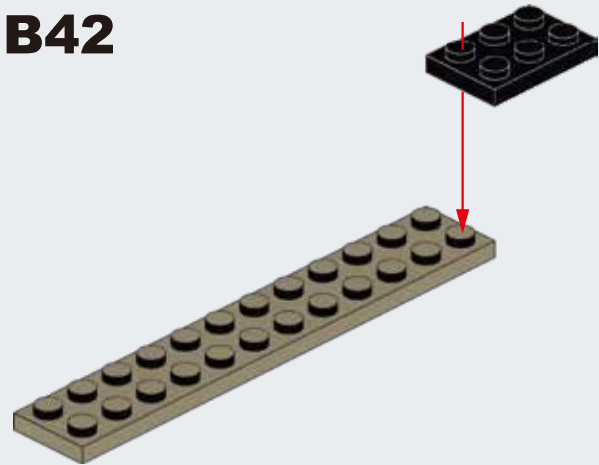
B41



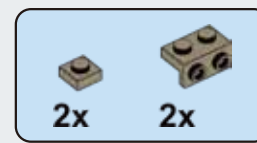
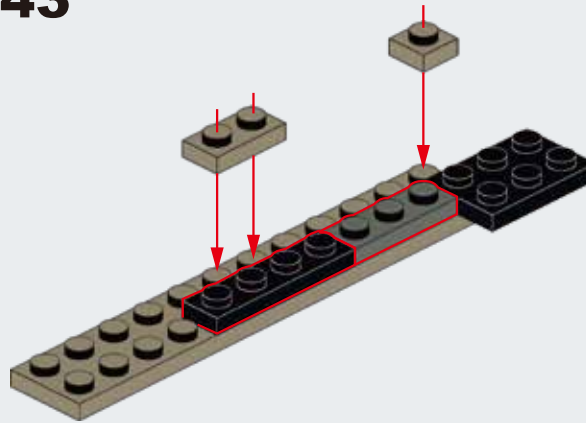
B37



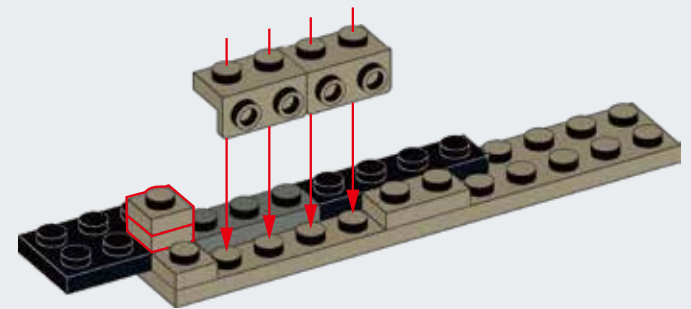
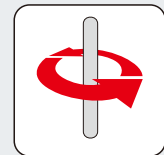
B42

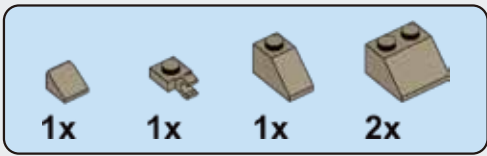


B43

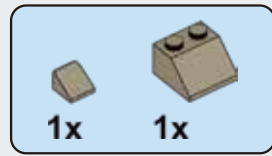
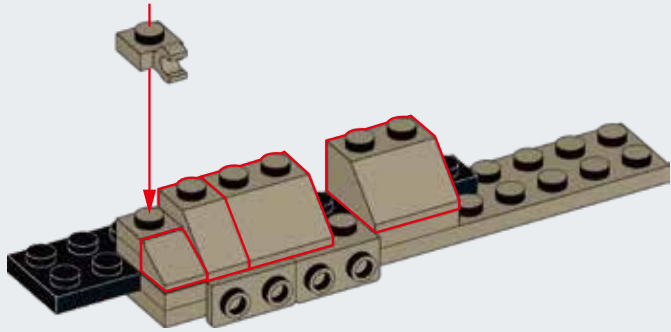


B44

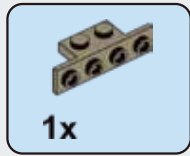
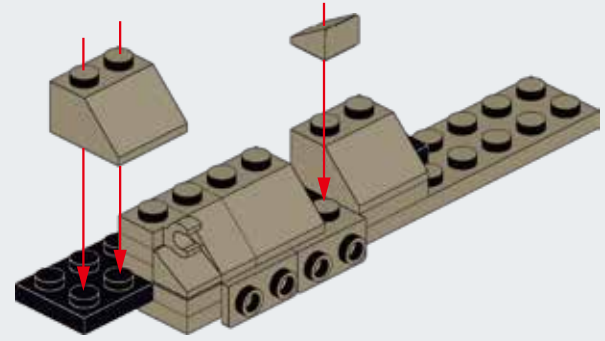




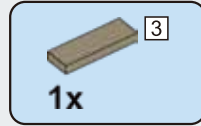
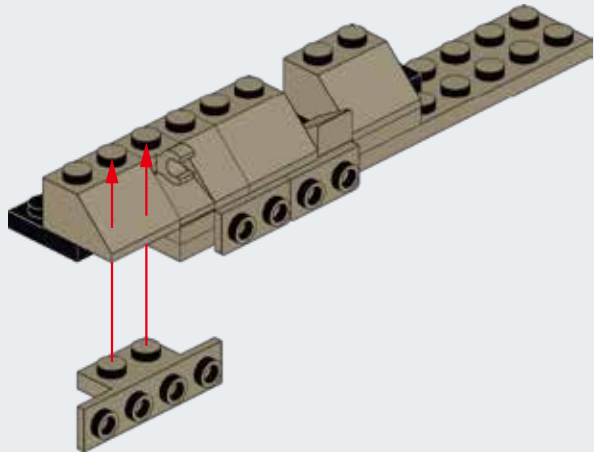
B45



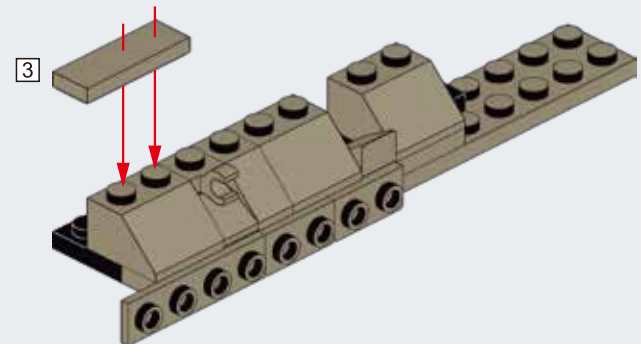
B46

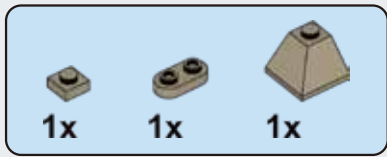


B47

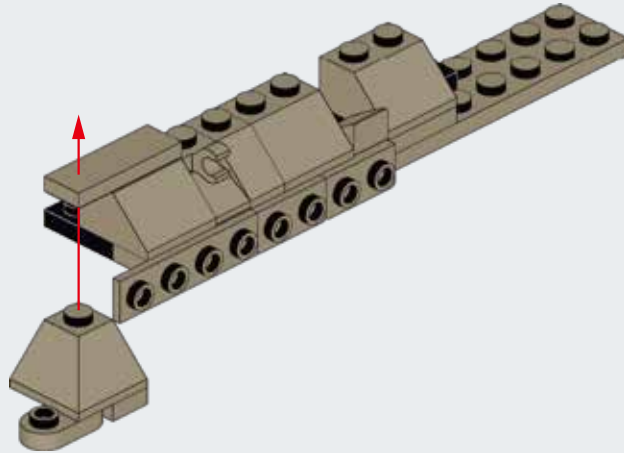
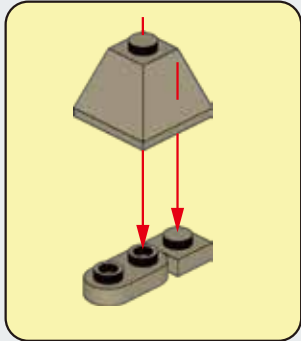


B48

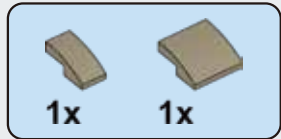
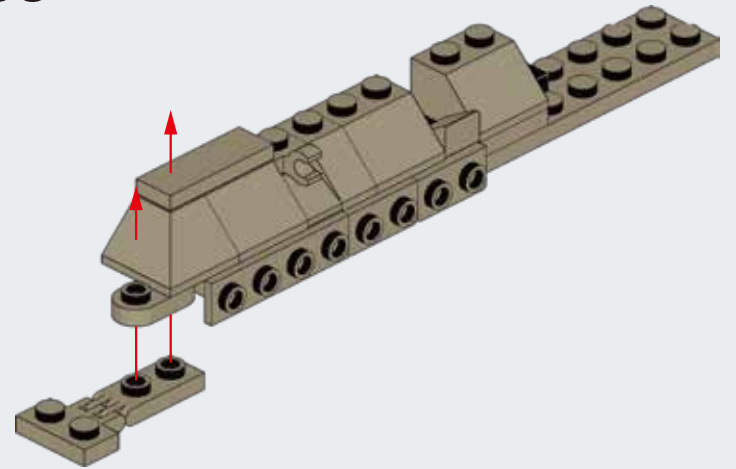




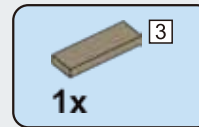
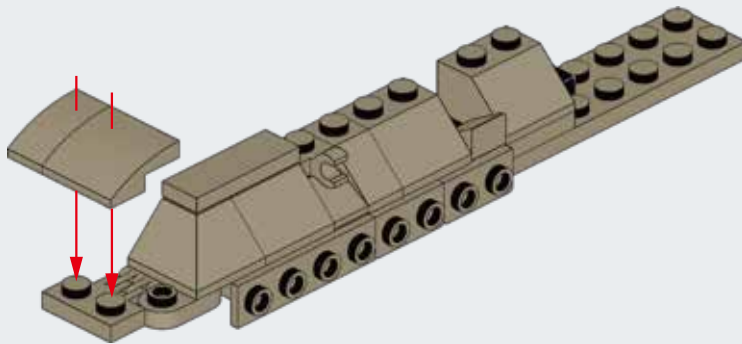
B49



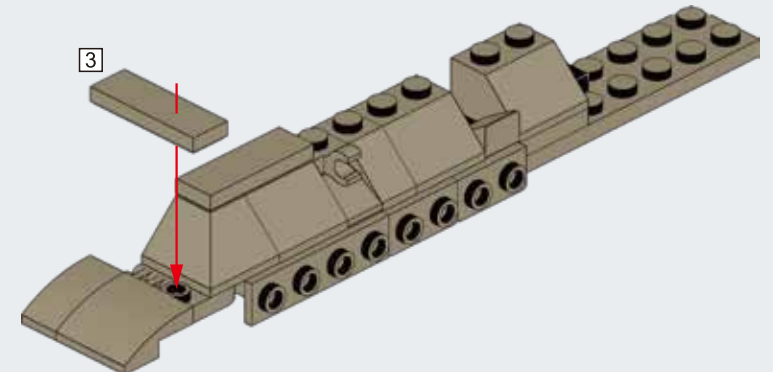
B50

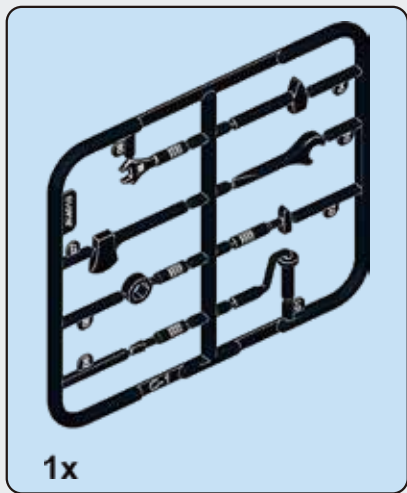


B51

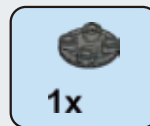
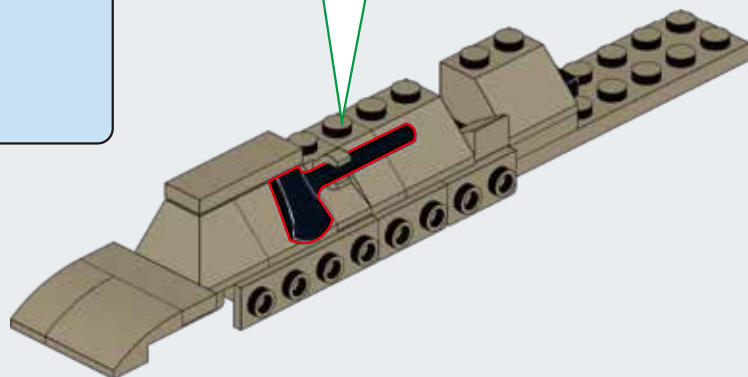
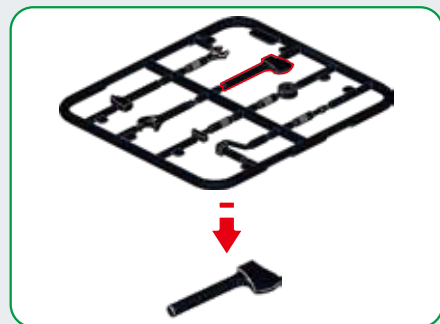


B52

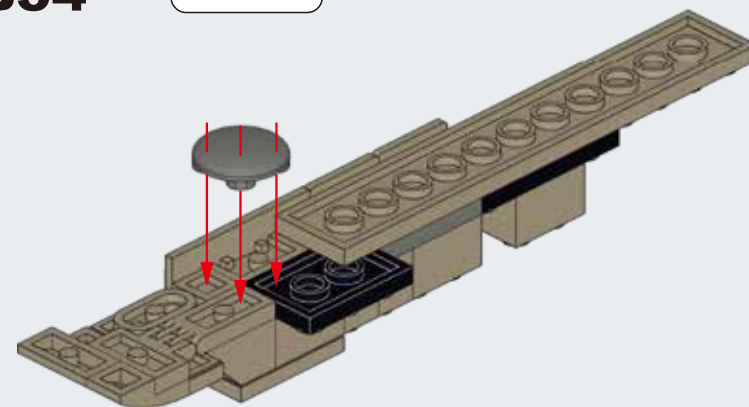
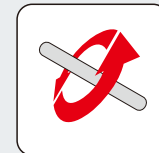




B53

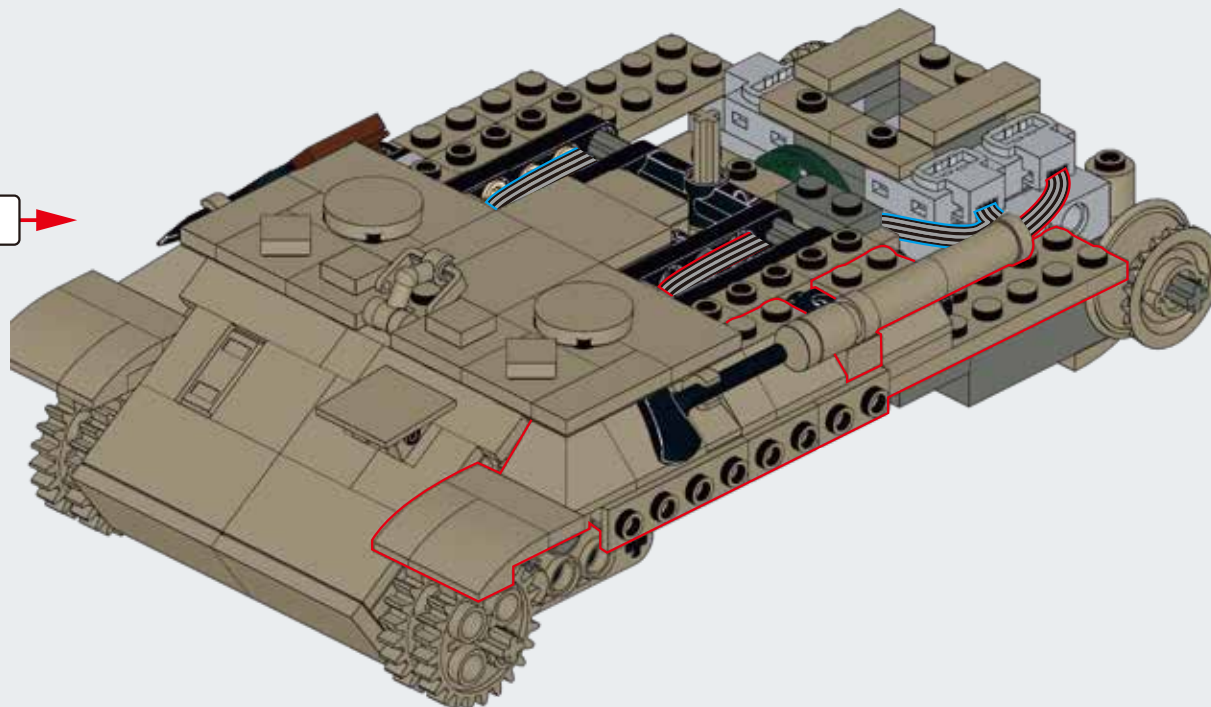


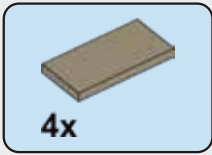
B54



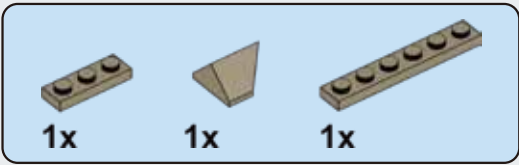
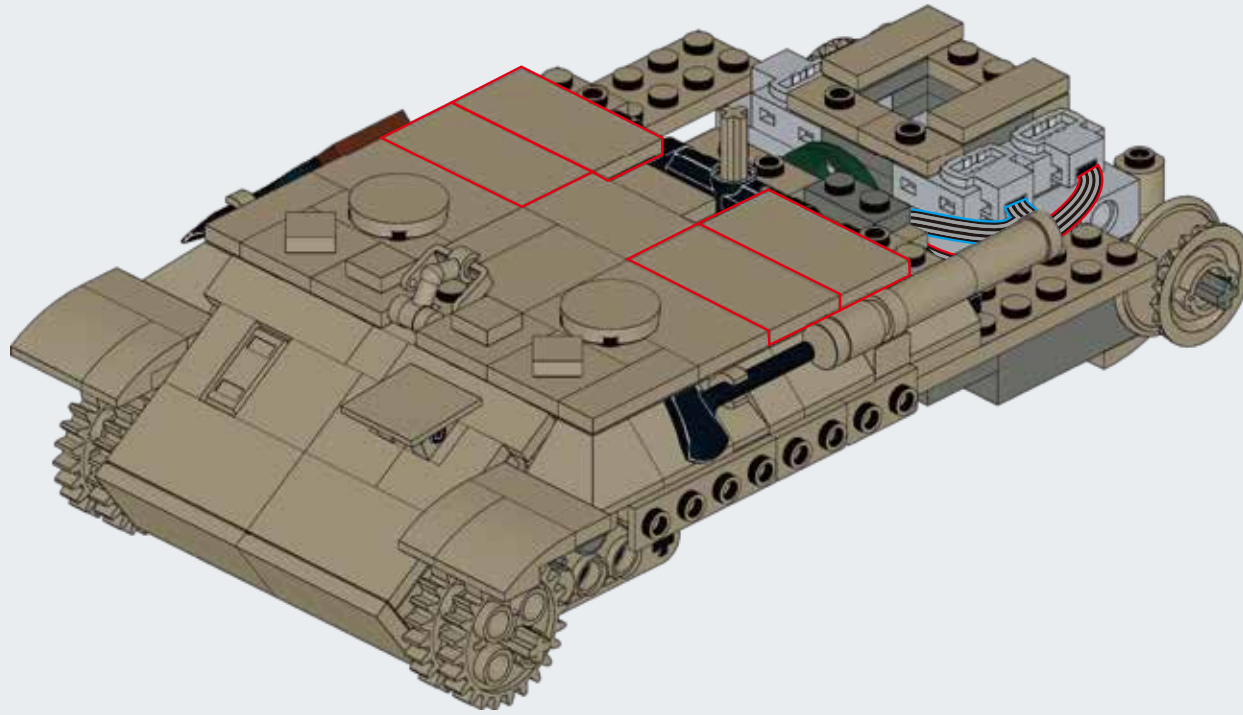
B55

B41 →

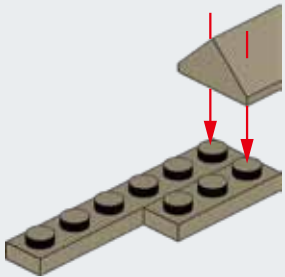




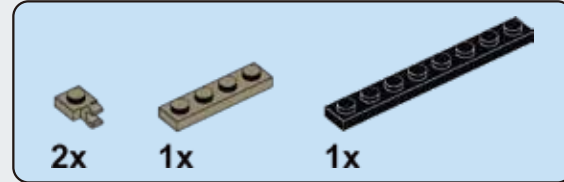
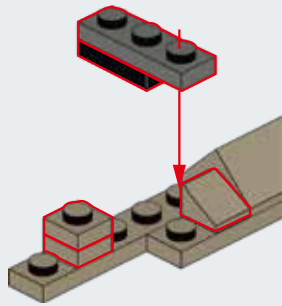
B56



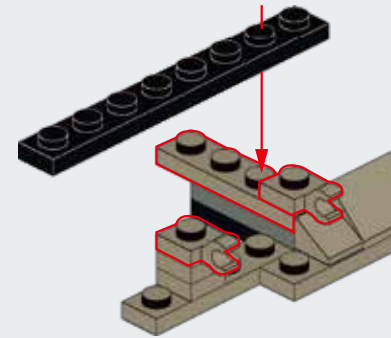
B57



B58




B59



CaDA[®]



 en.doubleeagle-group.com

C61071



C61072



C61076



403ARC610730001

CaDA[®] MASTER

Designer: Maciej Szymański *Pracownik*

1:35



RC
RADIO CONTROL
2.4GHz



Scan the QR code
and watch video

907PCS | Panther Tank



C61073