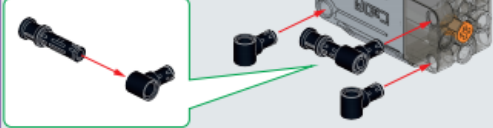




The red frame steps should be ignored. For the motor installation please refer to the instructions below.



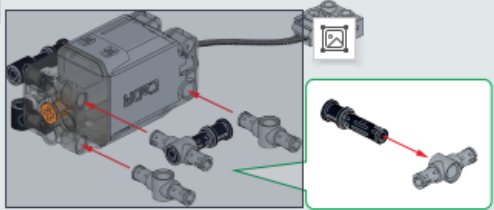
**B65**



166 C61042 C61042 166



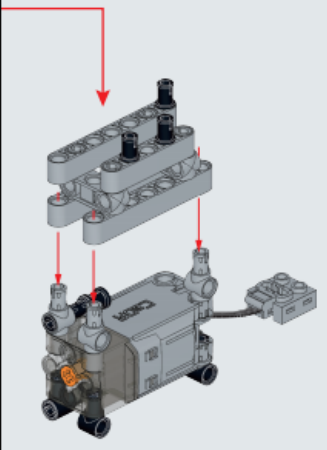
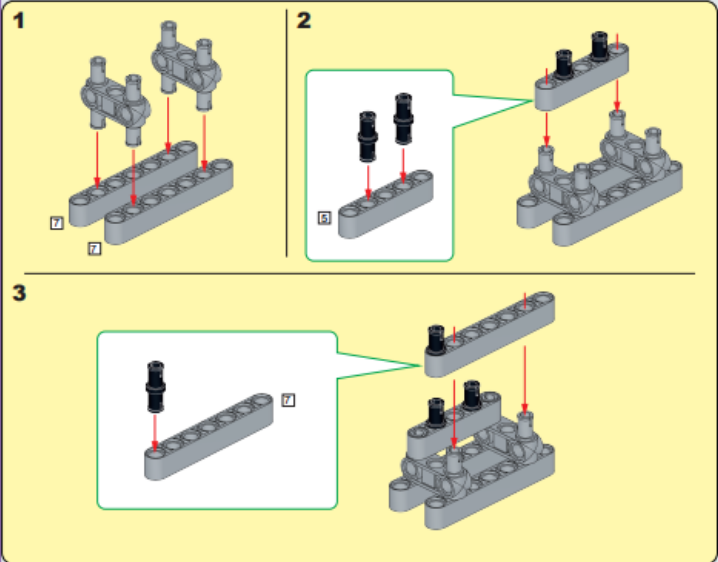
**B66**



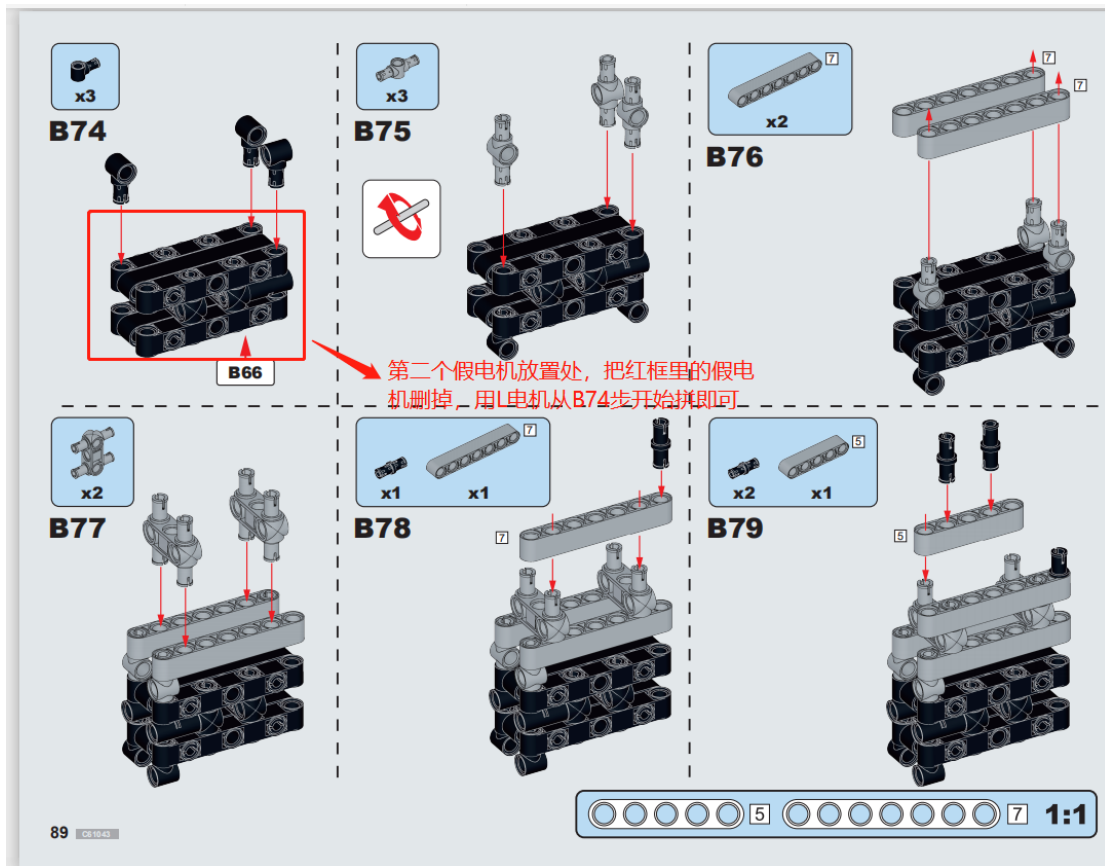
82



**B67**



83



Installing the second motor start from the step B74.

