


Please refer to the instructions below.

C



C1

X4 X2 X2 X2 X1 X2 X2

1 2 3 4 5

X2 X2

C2

X4 X4 X2 X3 X2

1 2 3

145

3 1:1

C3

X2 X2

5

C4

X2 X2 X1 X1 X1

2 9

C5

X1 X1 X1 X1 X1

2 3

146

3 2 5 9 1:1

C6 X1 X1

C7 X2 X1 X2

C8

C9 X1

C10 X1

147

5 3 1:1

C11 X2 X1

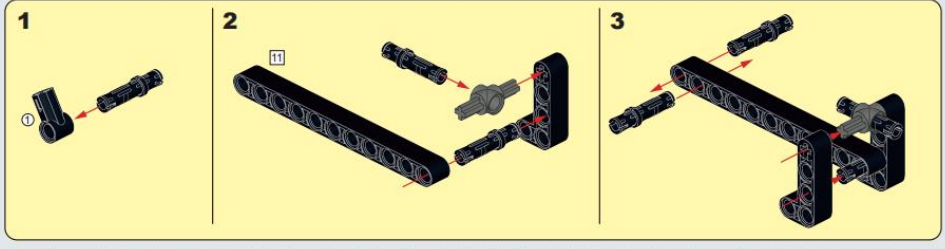
C12 1 2 3

148

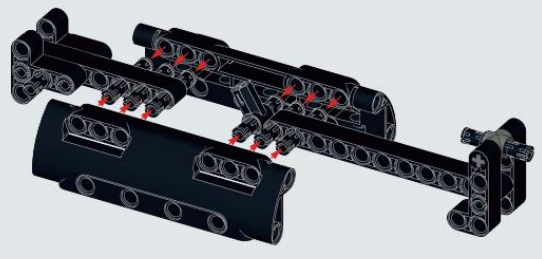
7 1:1



C13



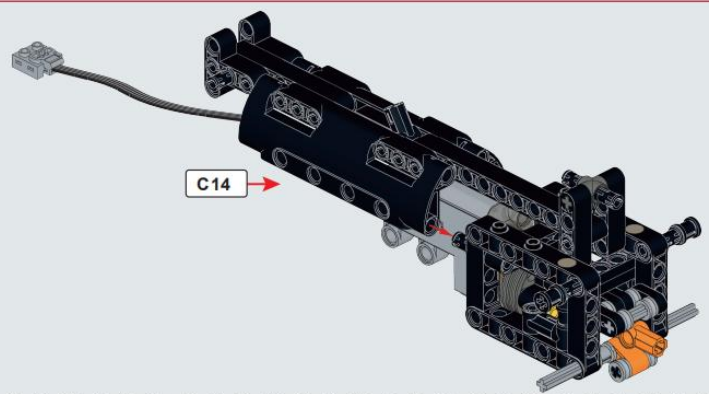
C14



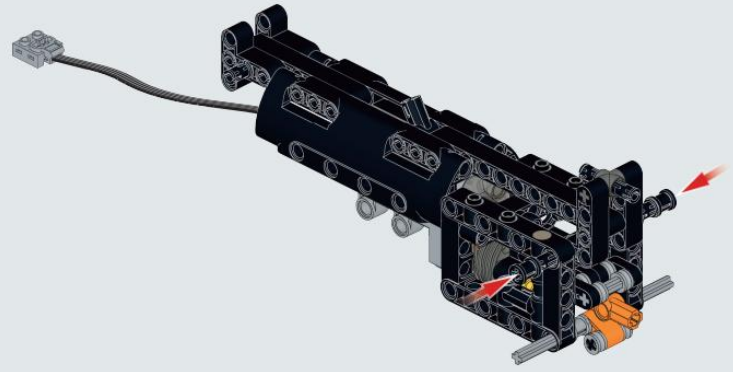
149



C15



C16



150

C17

X2 X2 X2

X2

C18

X2 X2 X4 X2 X2 X1

1 2 3

X2 X2

151

11 1:1

C19

C20

X1 X1

9

152

9 1:1

C21

C22

11 **1:1**

X1

X6 **X10** **X4**

1 **X2**

2 **X2**

153

C23

C24

B

7 **1:1**

X2 **X2**

X2 **X2**

154