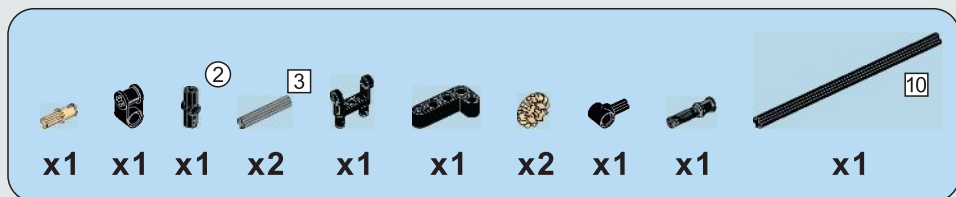
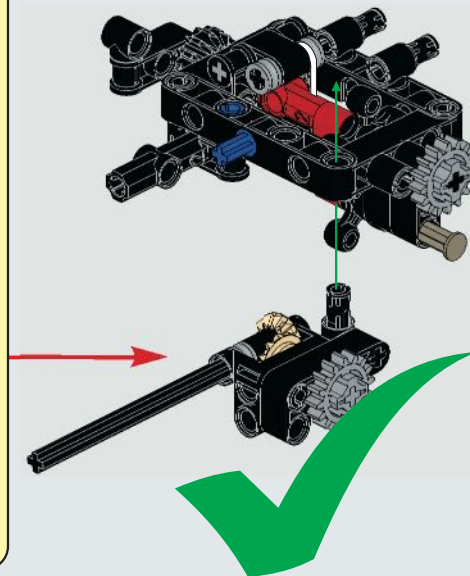
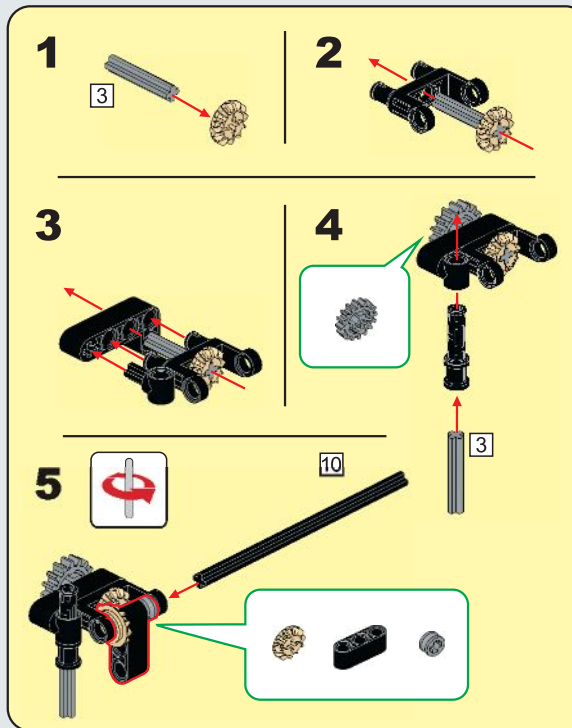
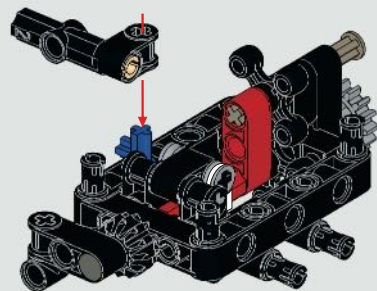
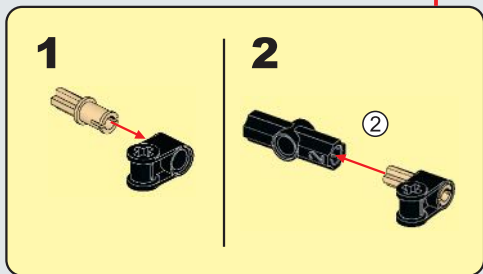
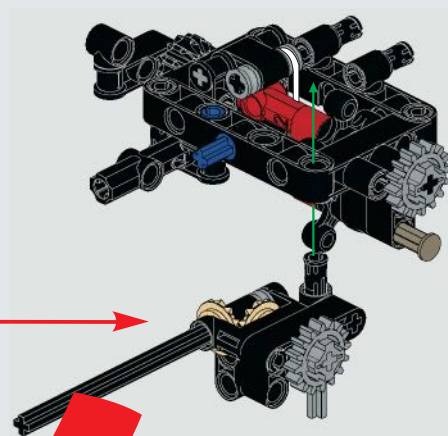
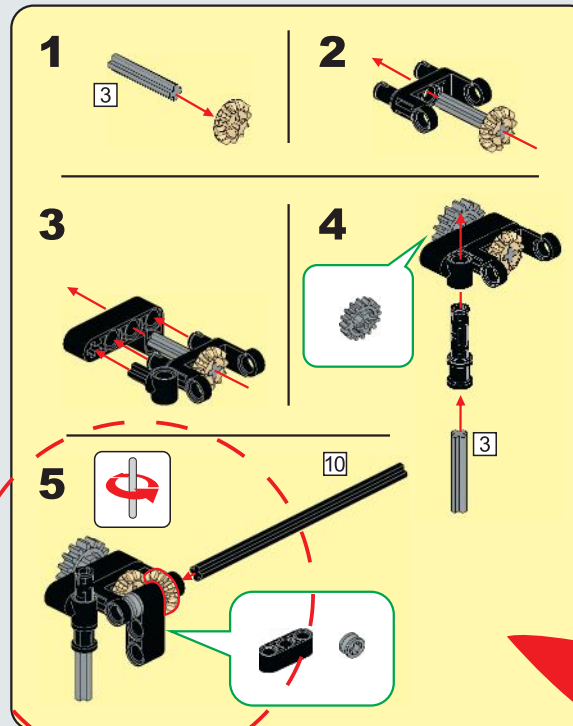
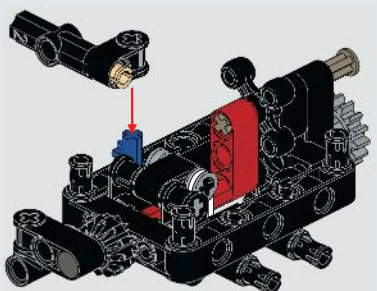
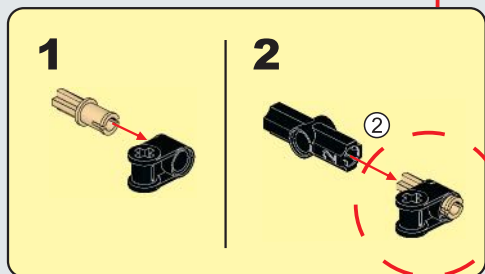


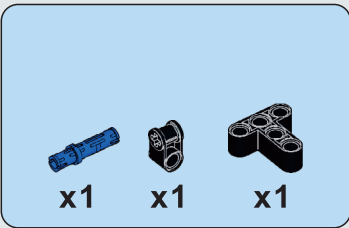


A25

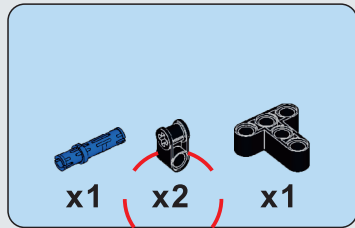
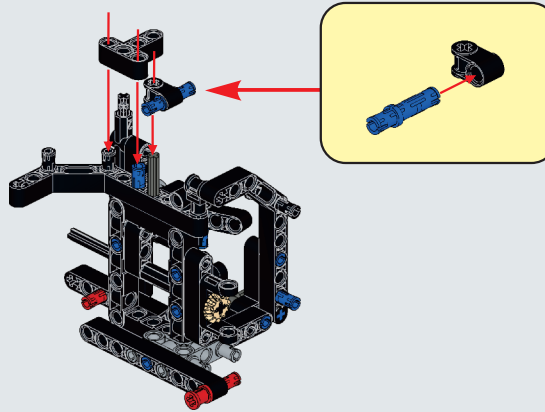


A25

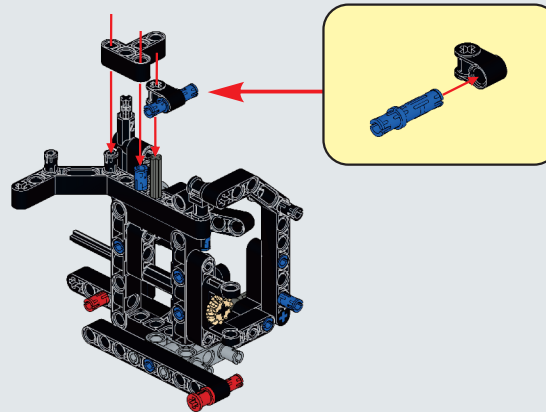


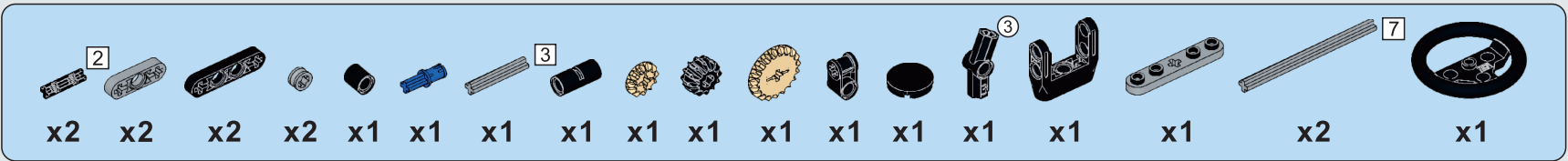


B46

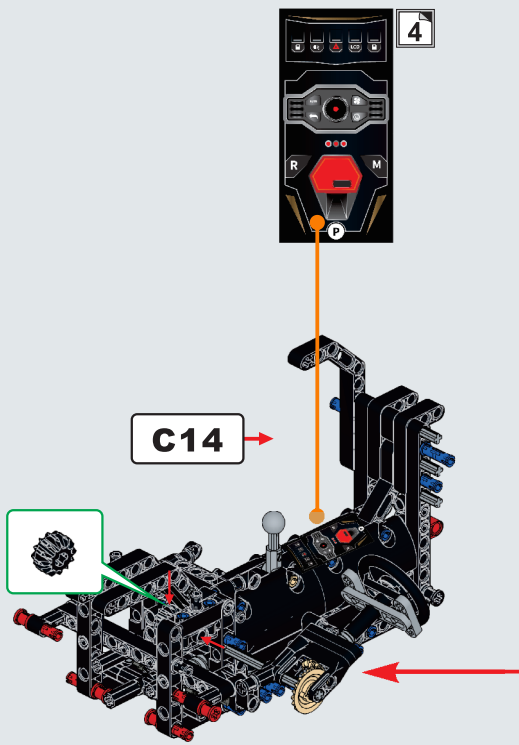


B46





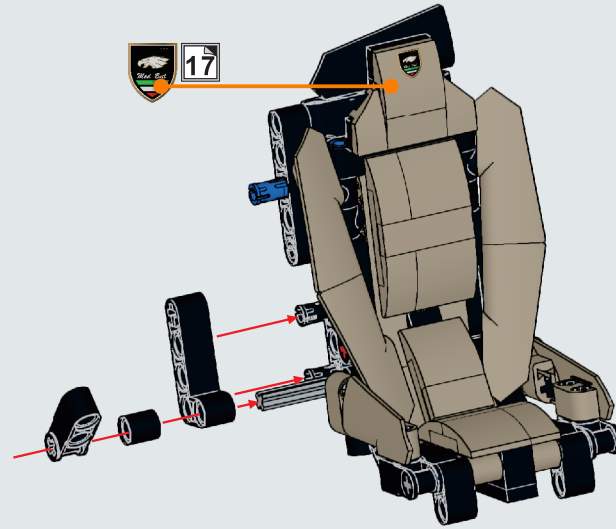
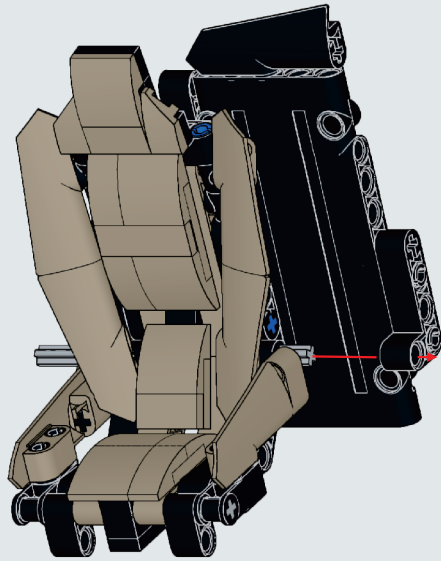
C15

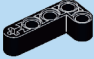




<p>1</p>	<p>2</p>	<p>3</p>
<p>4</p>	<p>5</p>	
<p>6</p>	<p>7</p>	<p>8</p>

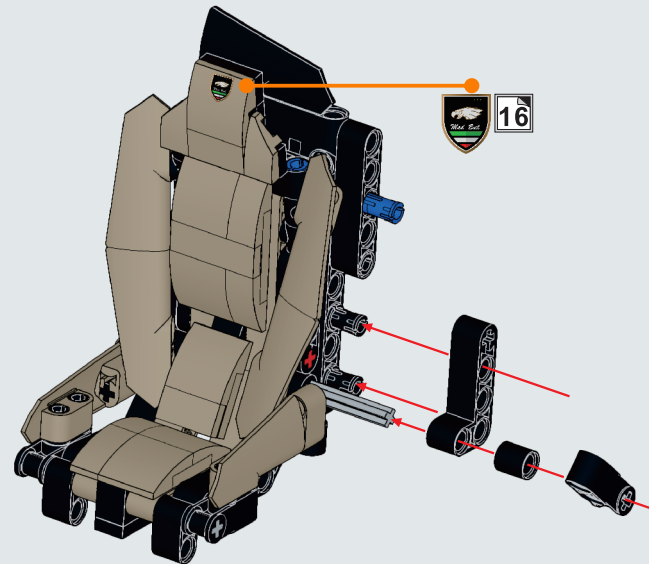
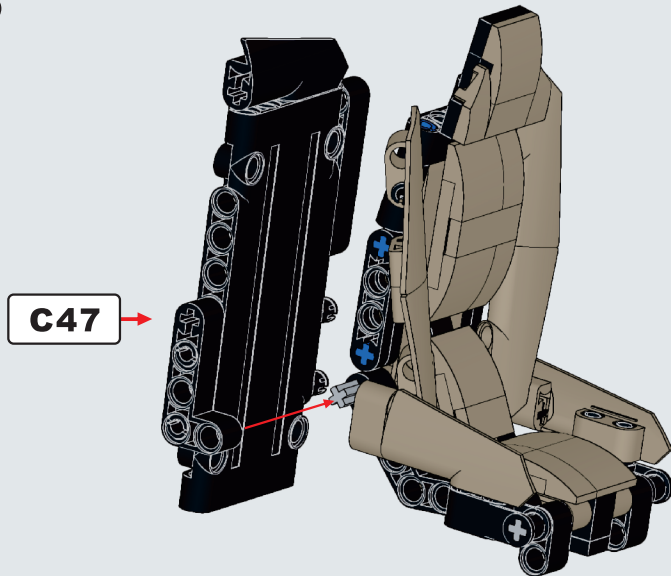


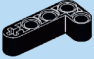


C46

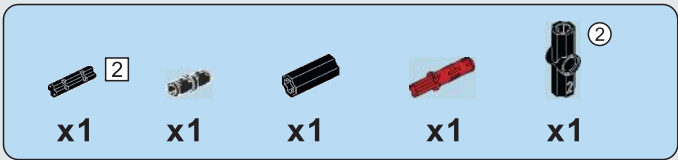


-  x1
-  x1
-  x1

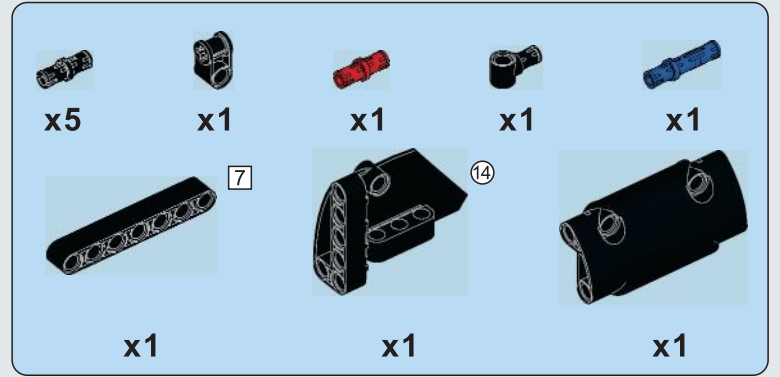
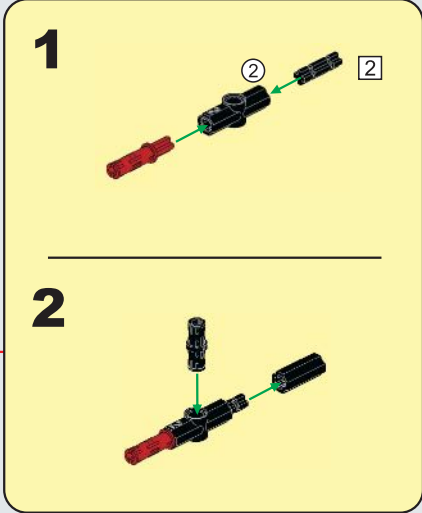
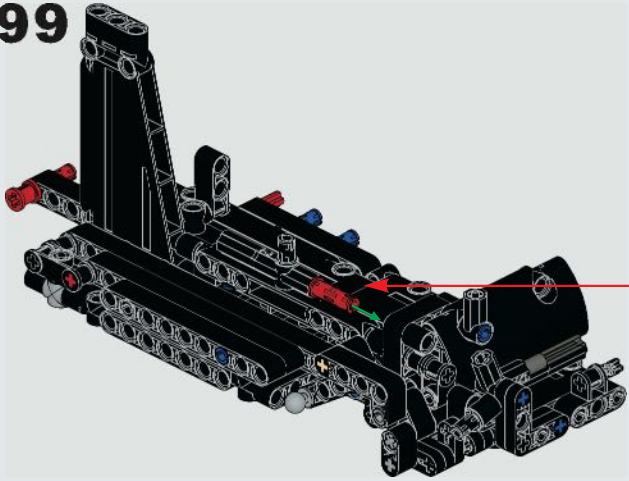
C55



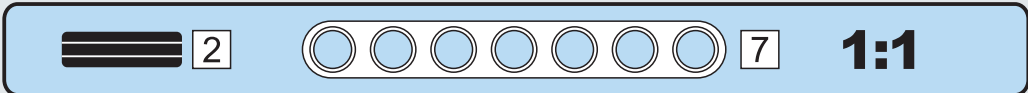
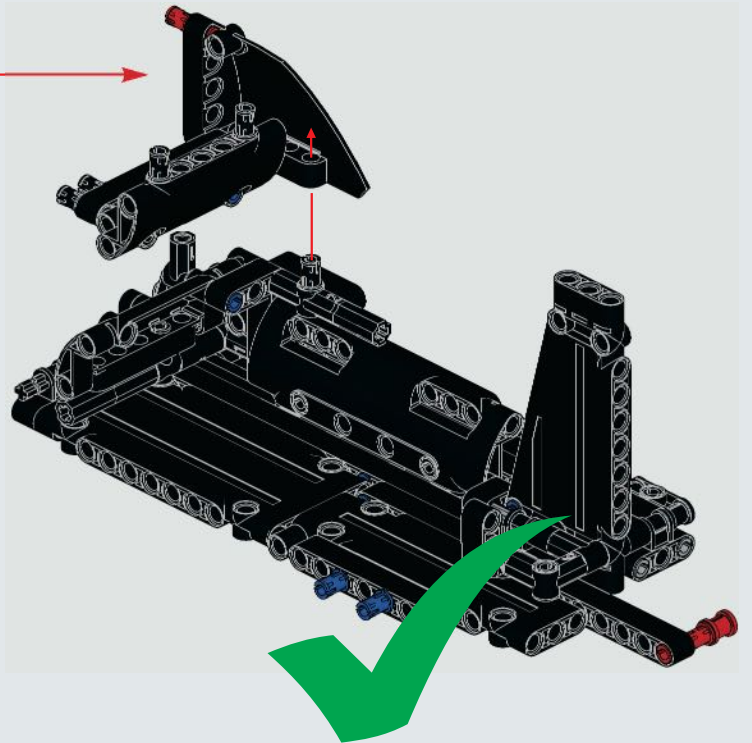
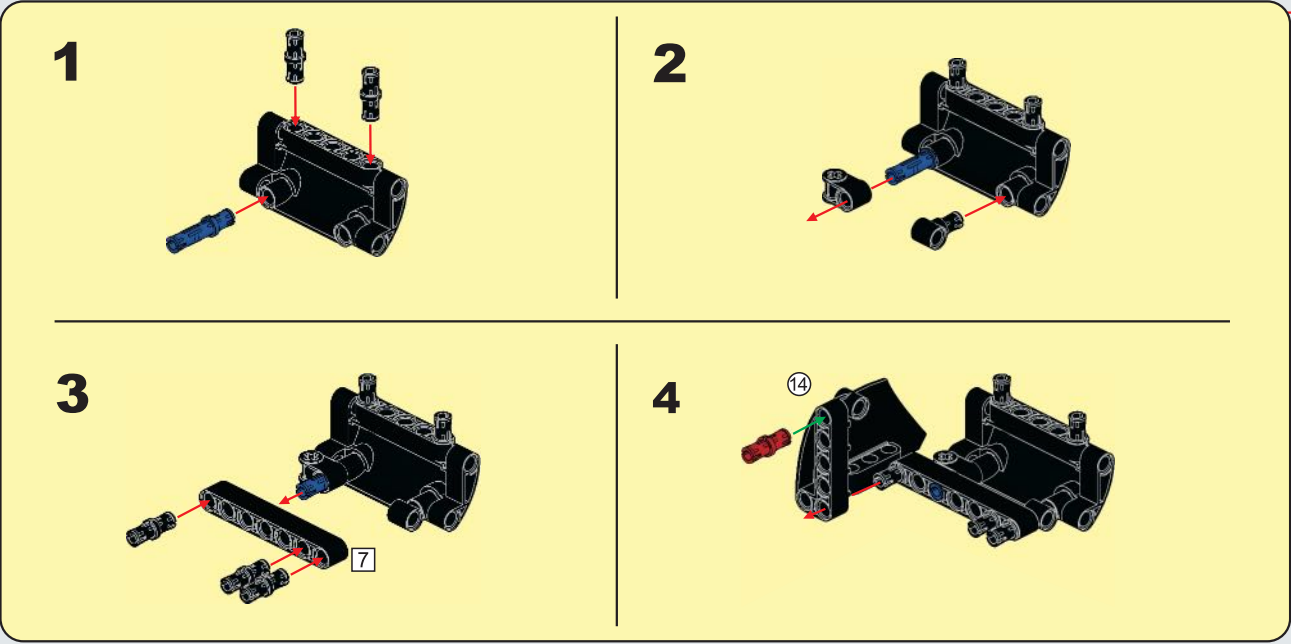
-  x1
-  x1
-  x1

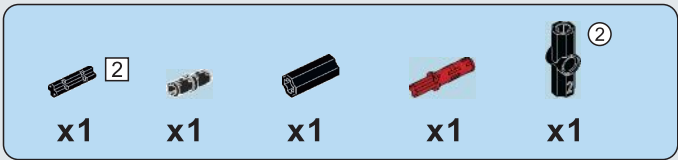


C99

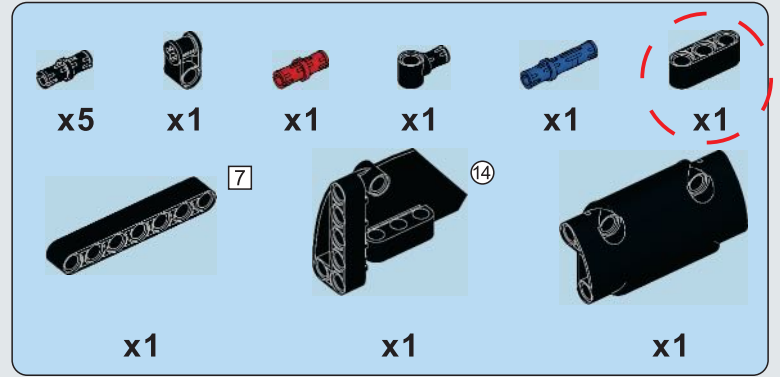
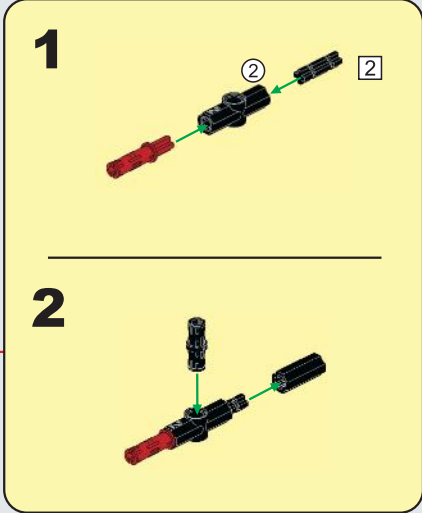
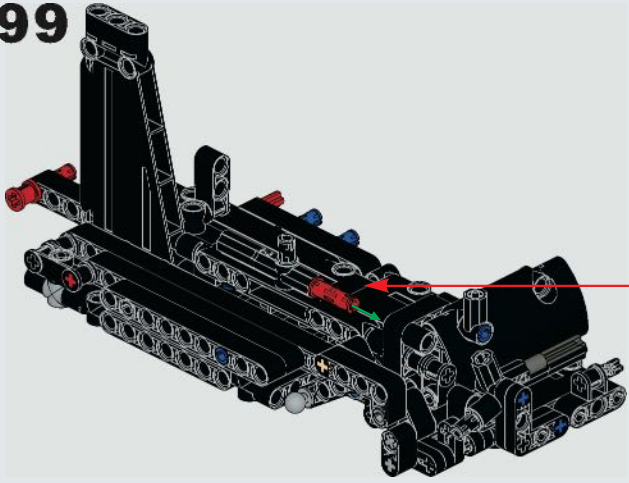


C100

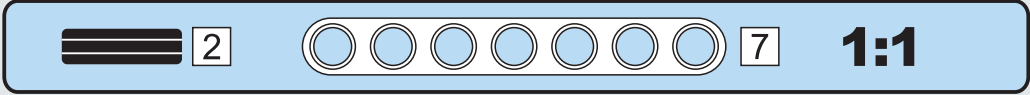
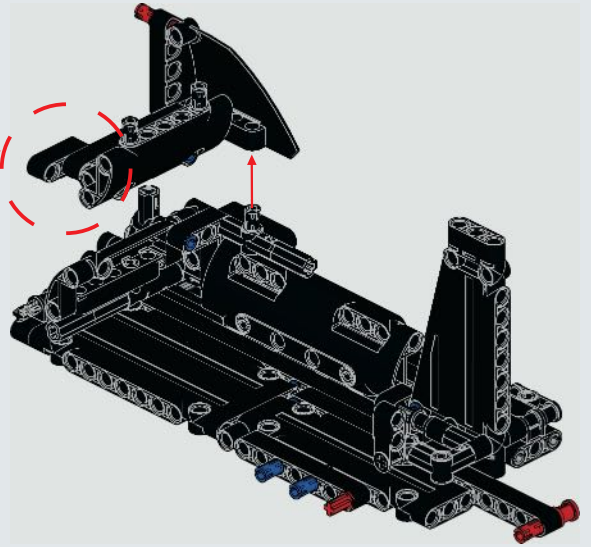
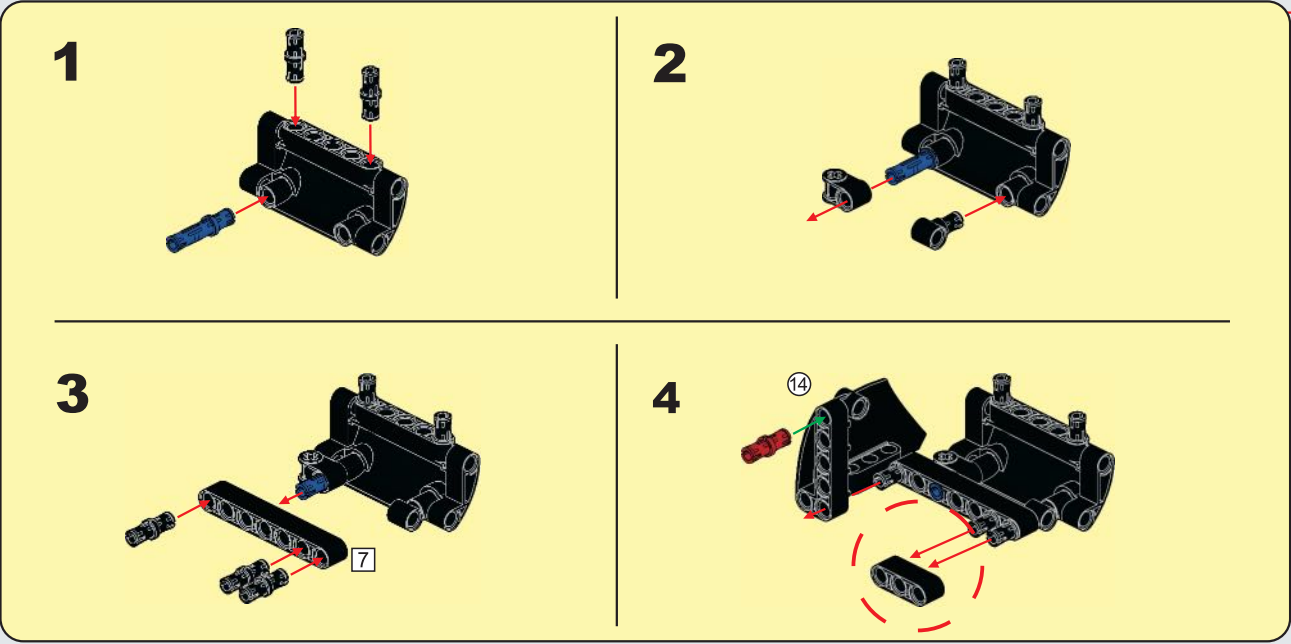


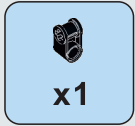


C99

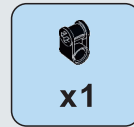
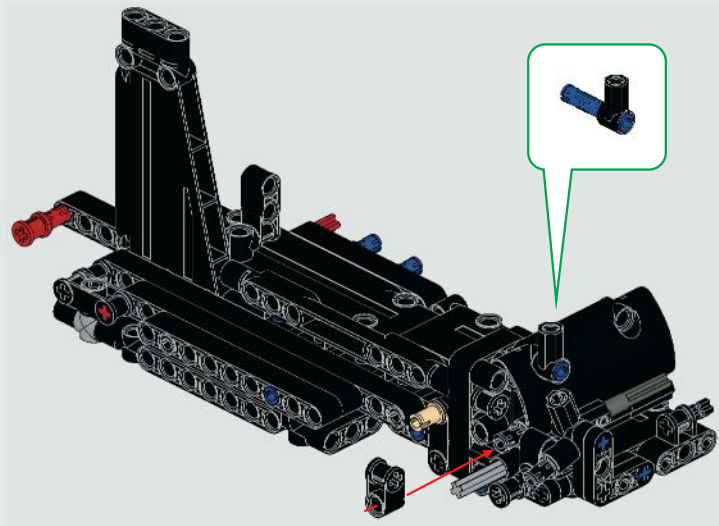


C100

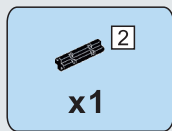
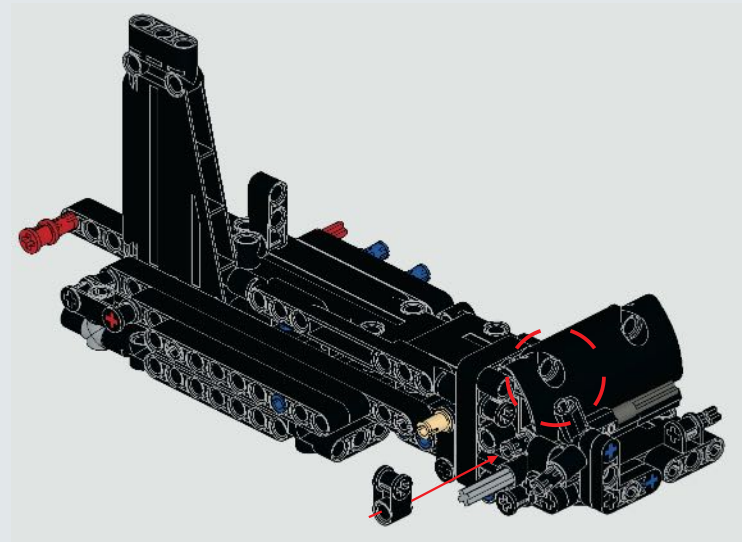




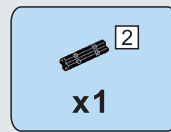
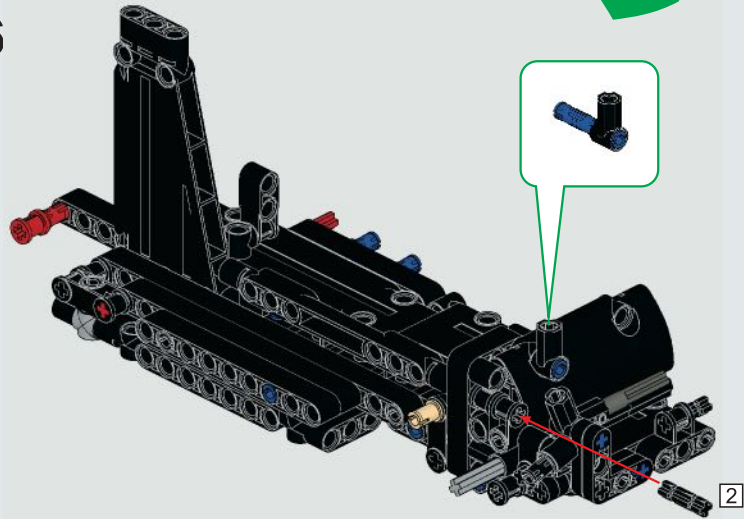
C95



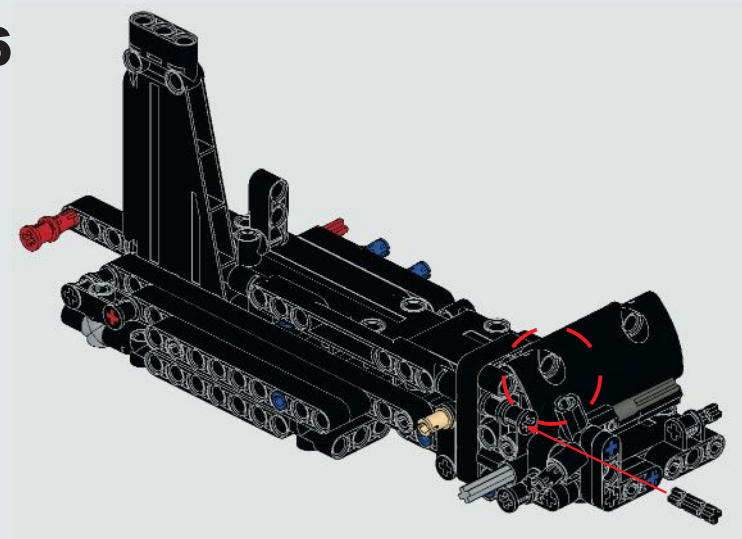
C95

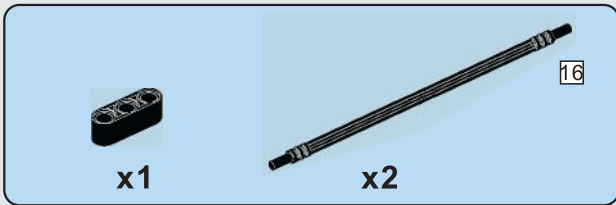


C96

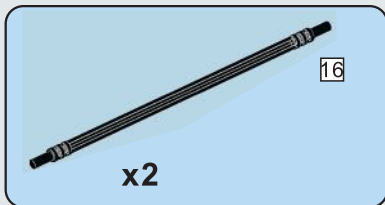
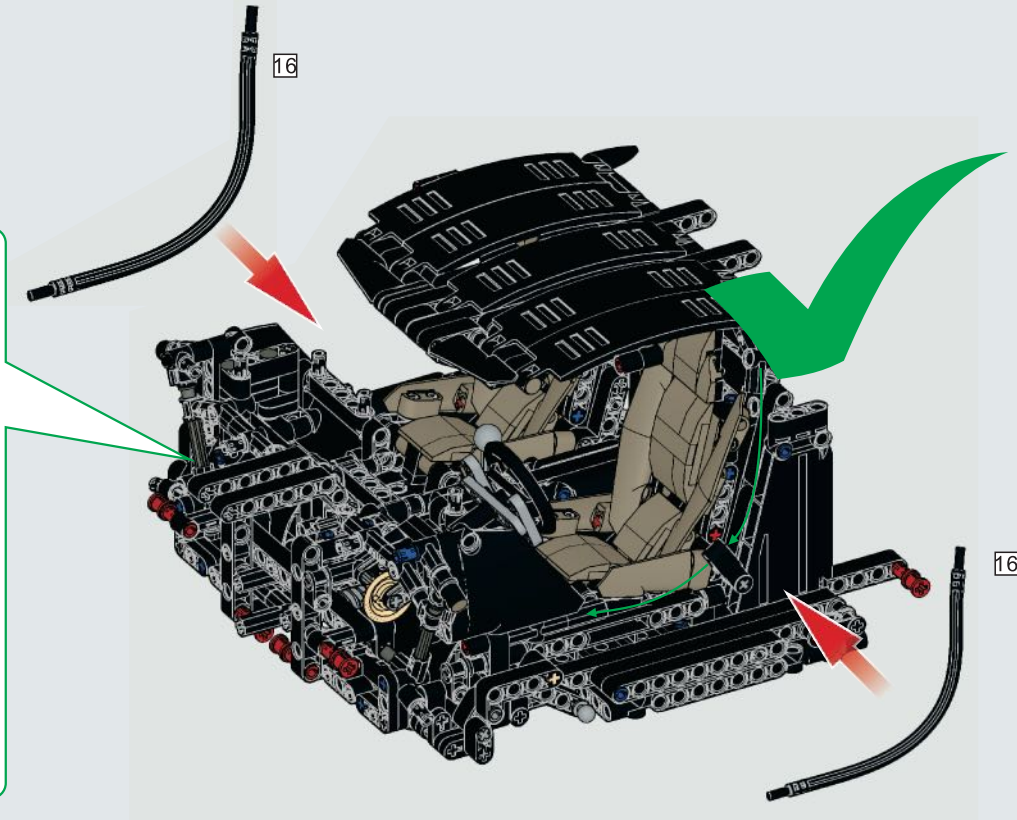
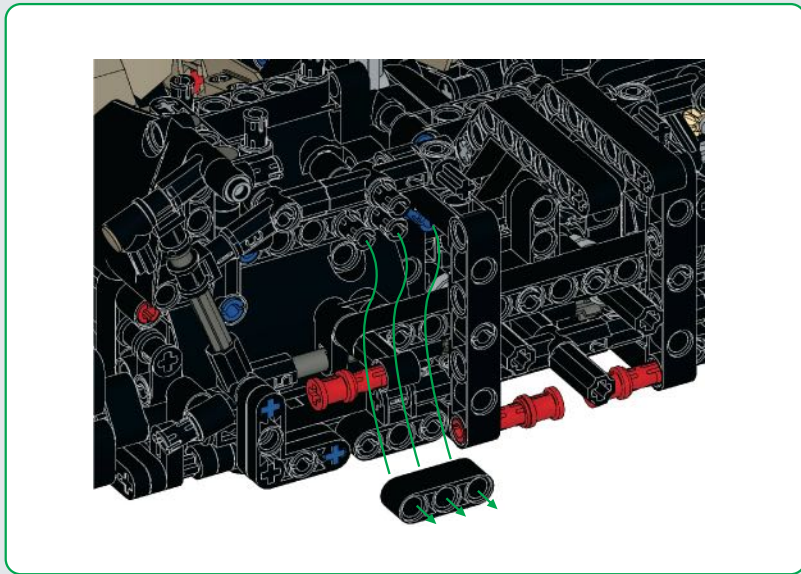


C96

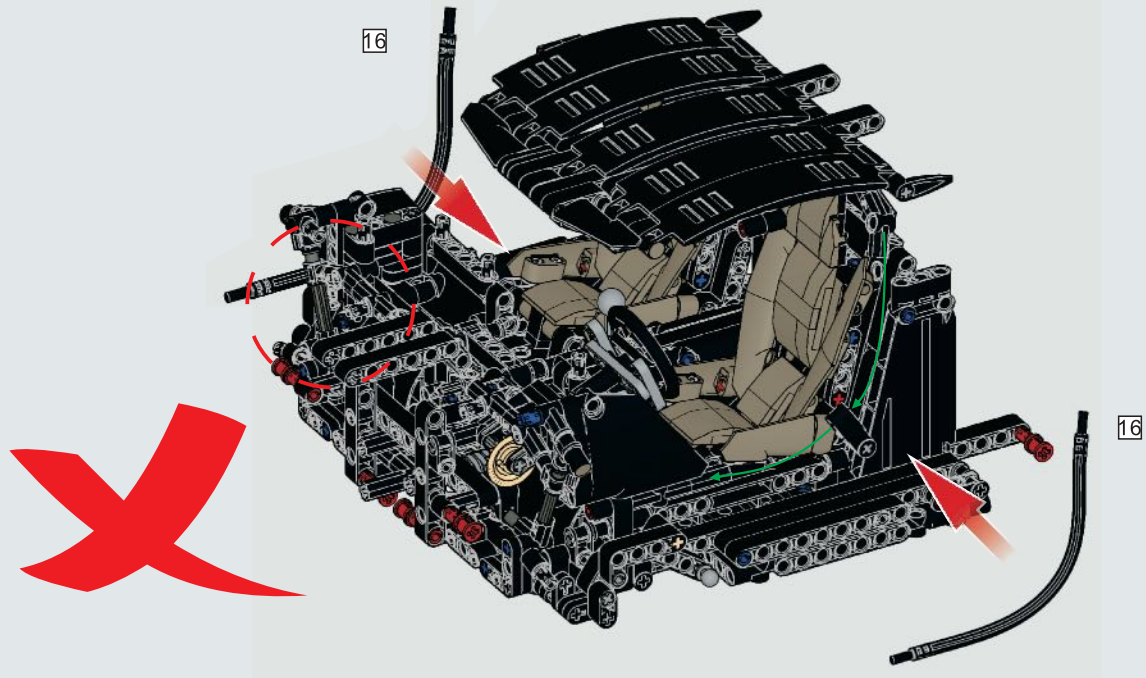


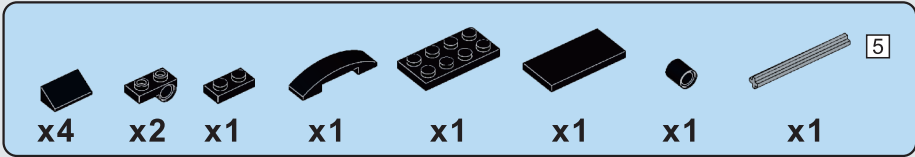


C106

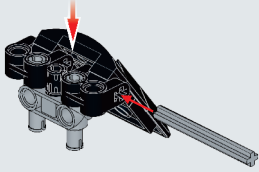
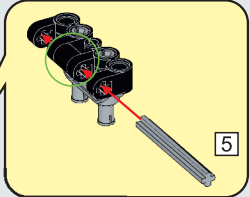
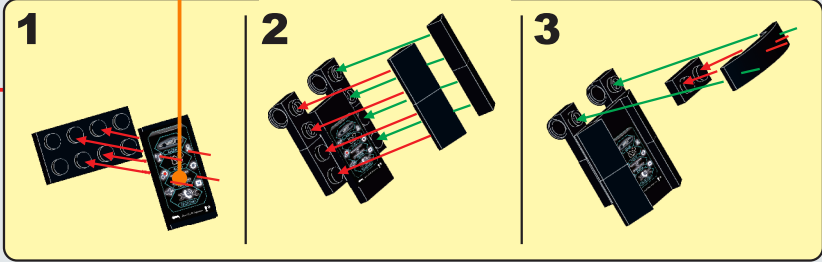
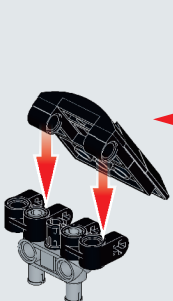


C106

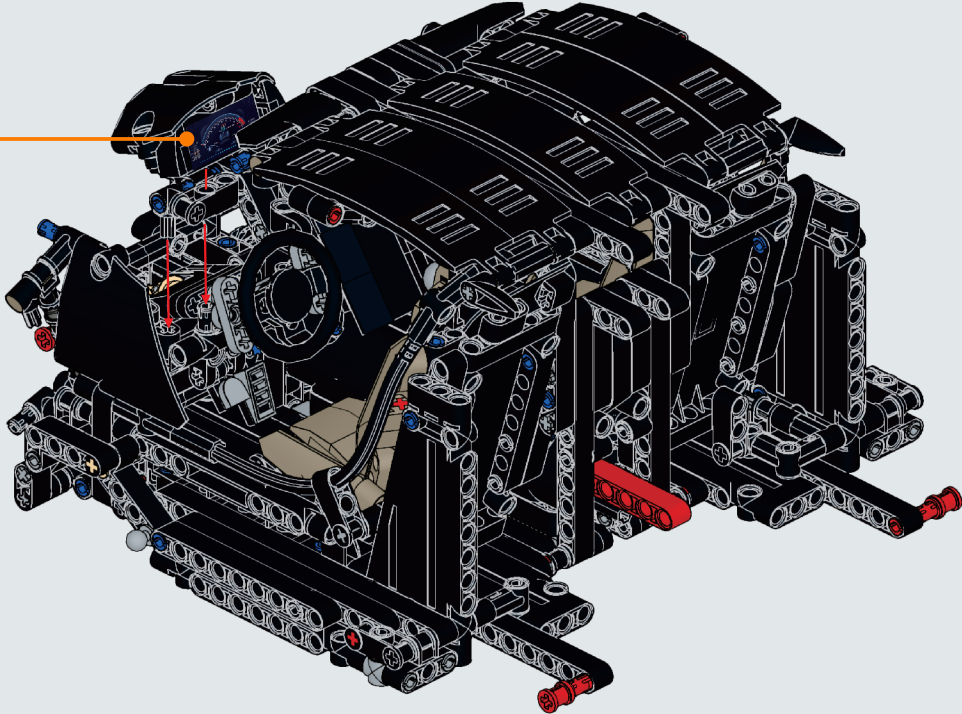


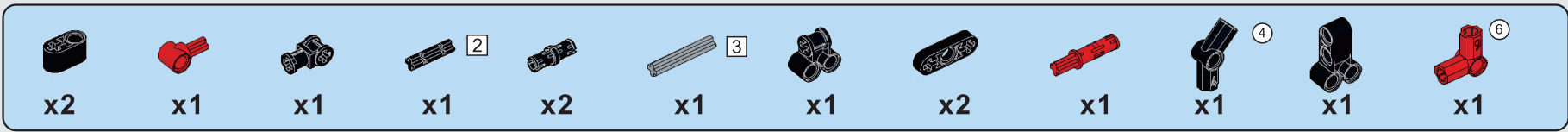


C108

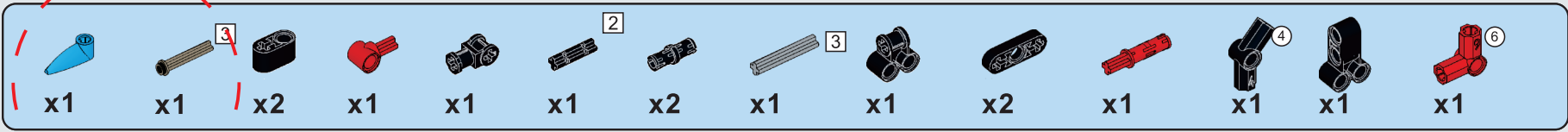
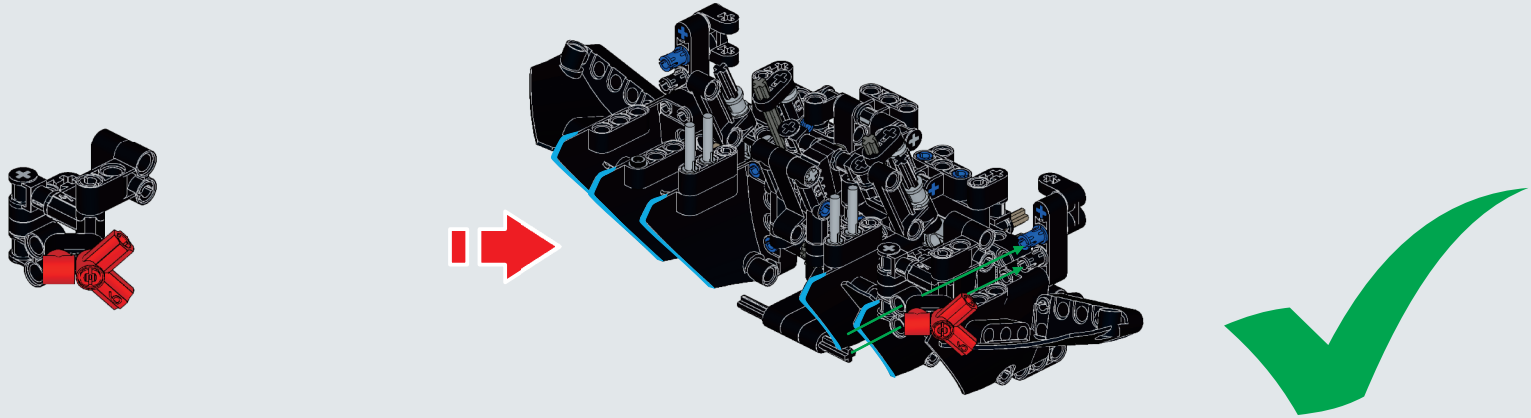


C113

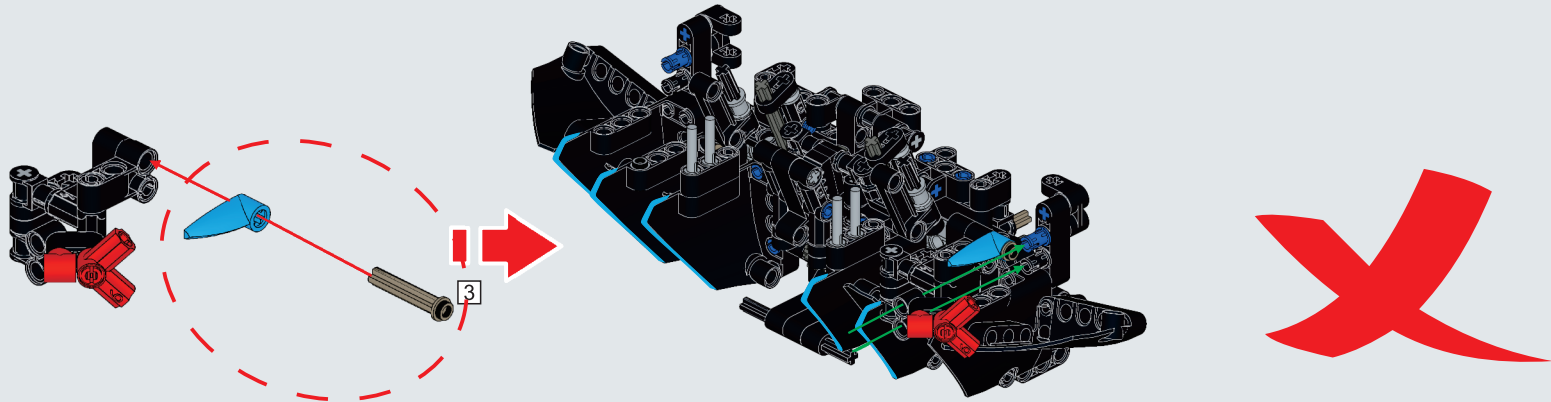







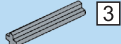


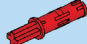


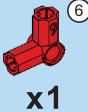


G22

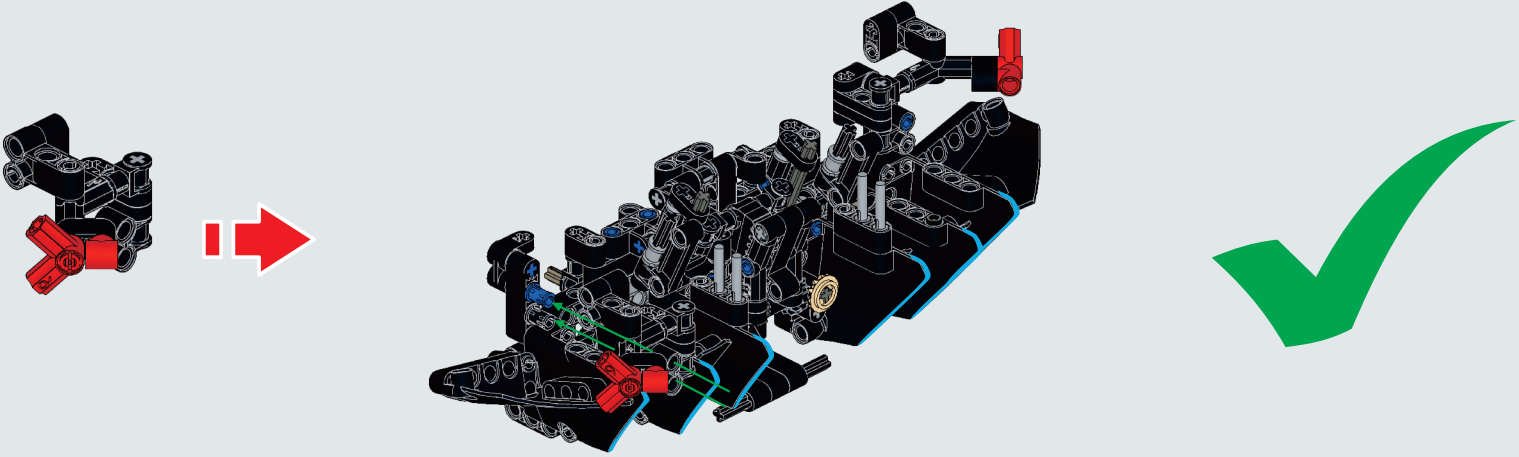



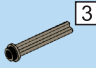
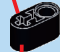


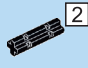

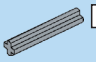





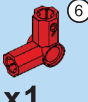
G22



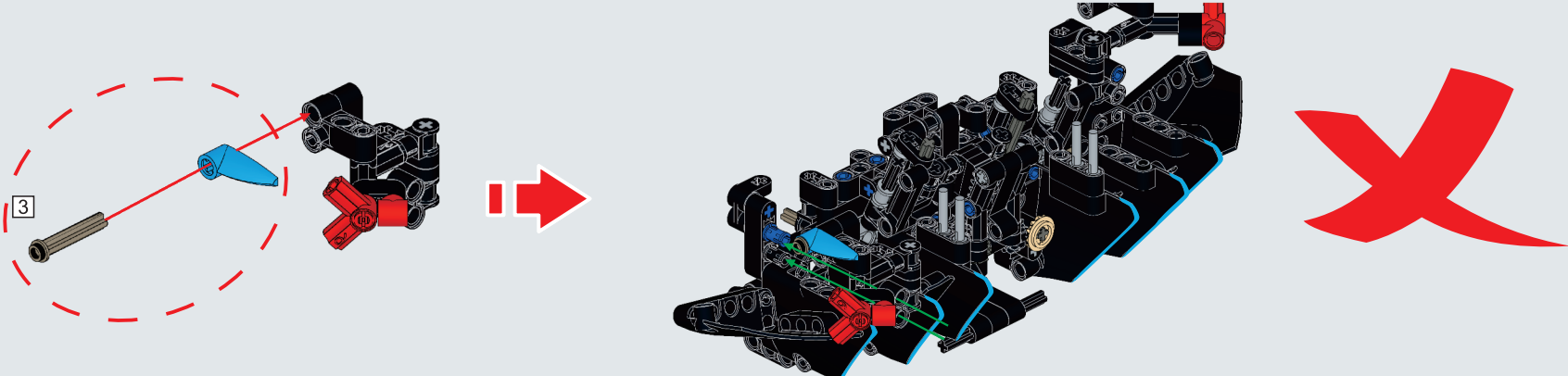
-  x2
-  x1
-  x1
-  x1
-  x2
-  x1
-  x1
-  x2
-  x1
-  x1
-  x1
-  x1

G23



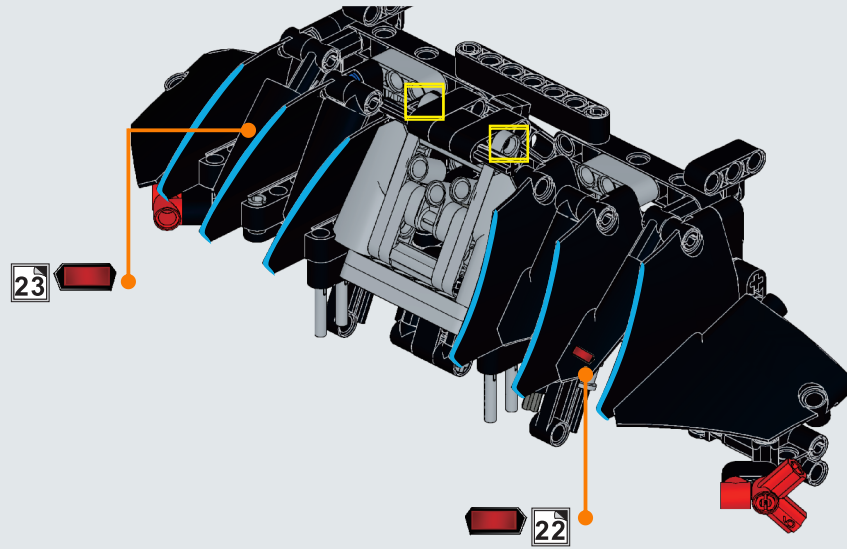
-  x1
-  x1
-  x2
-  x1
-  x1
-  x1
-  x2
-  x1
-  x1
-  x2
-  x1
-  x1
-  x1
-  x1

G23



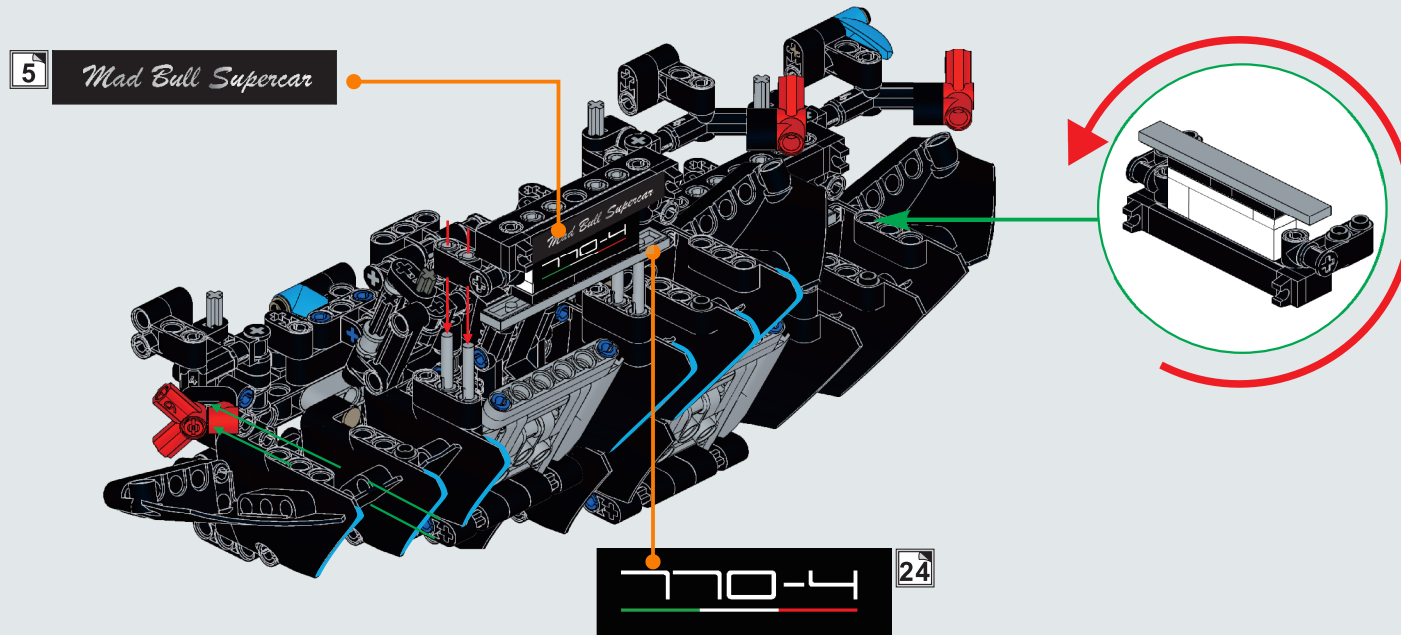
-  2
-  3
- 1:1**

G26



5 1:1

G29



5 Mad Bull Supercar

770-4 24



x1



x8



x4



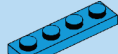
x2



x1



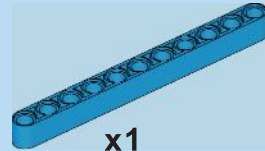
x2



x1

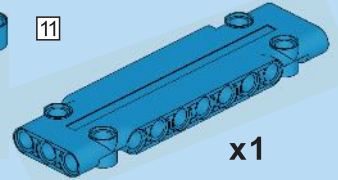


x1



x1

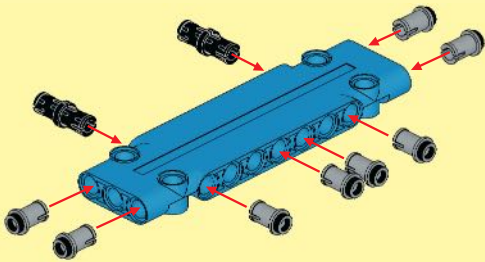
11



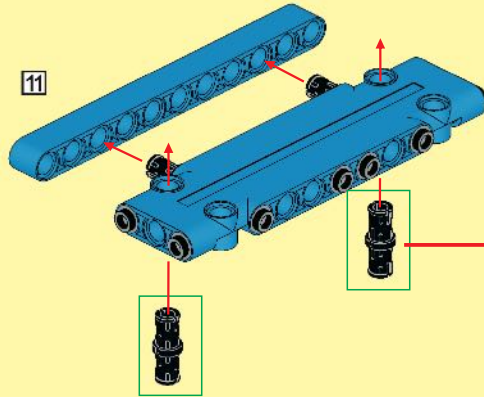
x1

G36

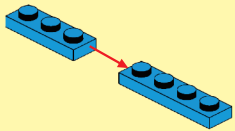
1



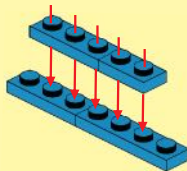
2



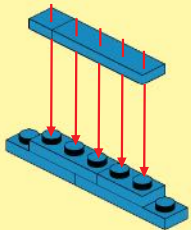
3



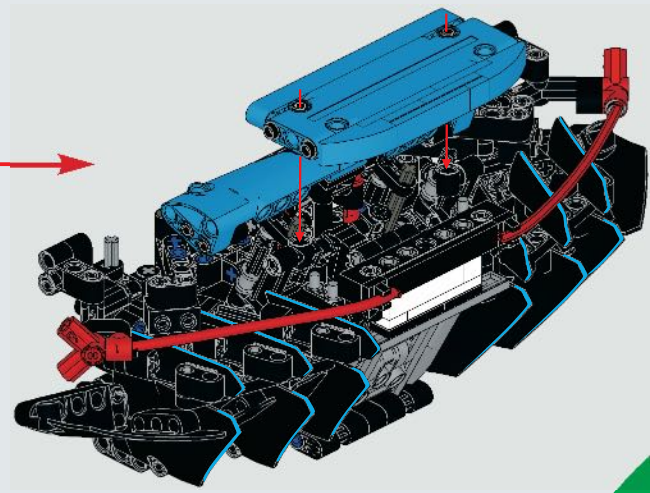
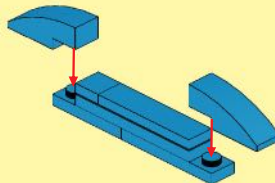
4



5

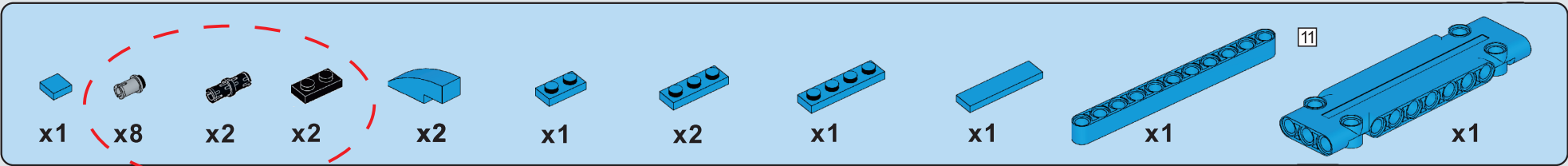


6



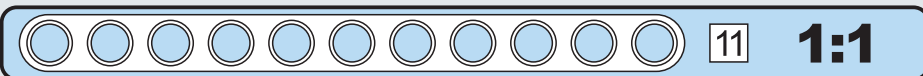
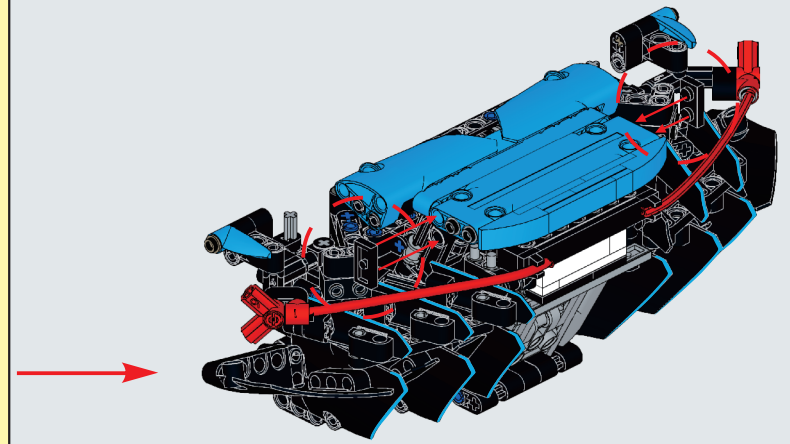
11

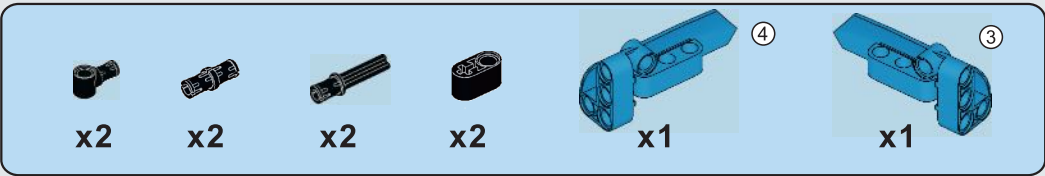
1:1



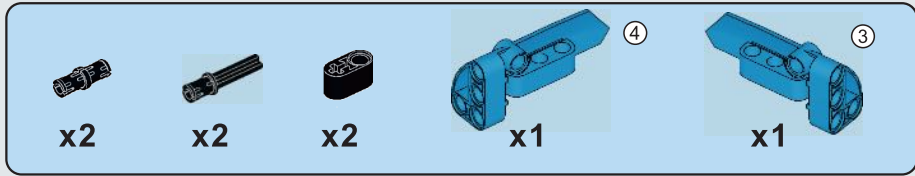
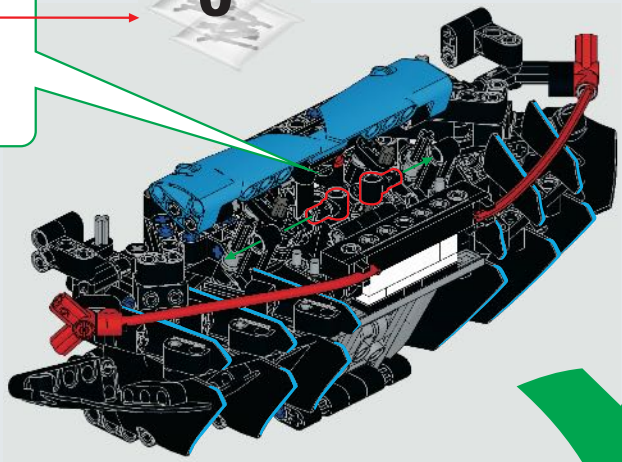
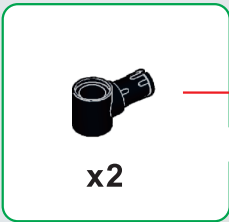
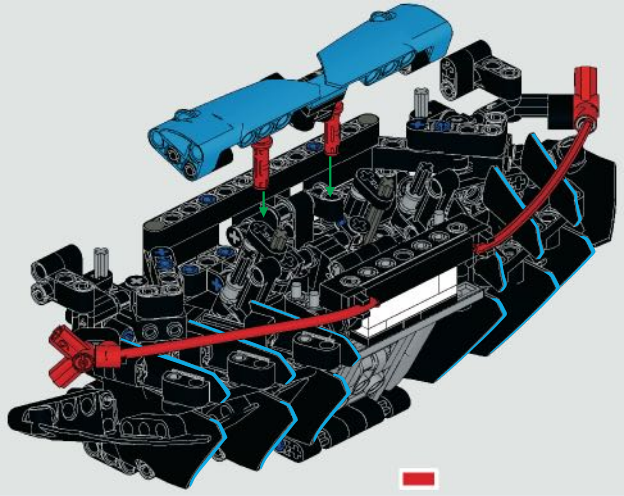
G36

<p>1</p>	<p>2</p>
<p>3</p>	<p>4</p>
<p>5</p>	<p>6</p>

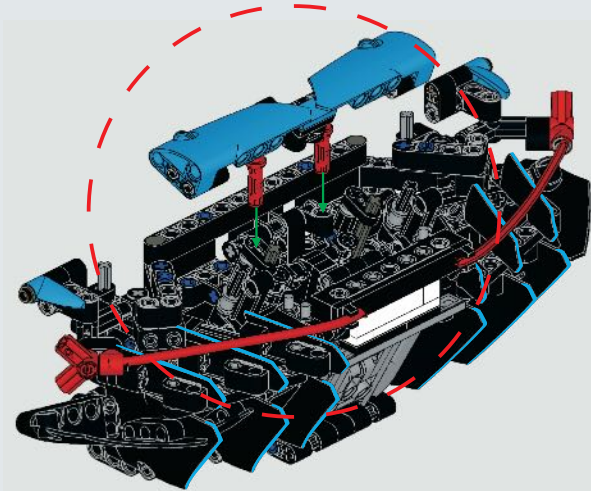


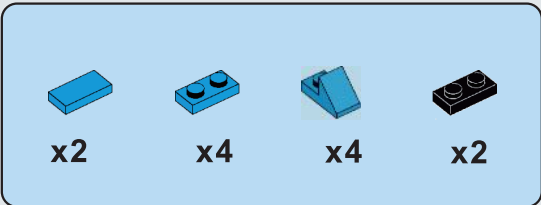


G35

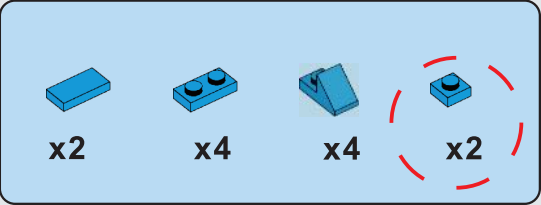
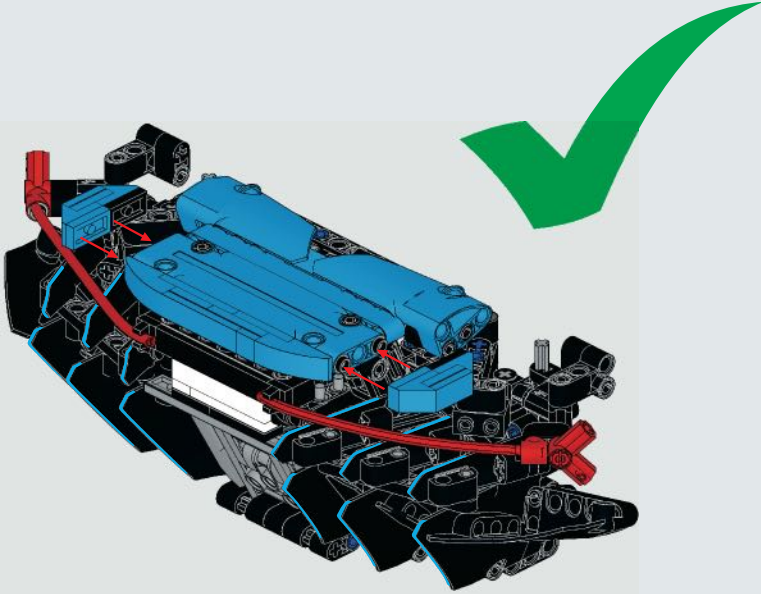
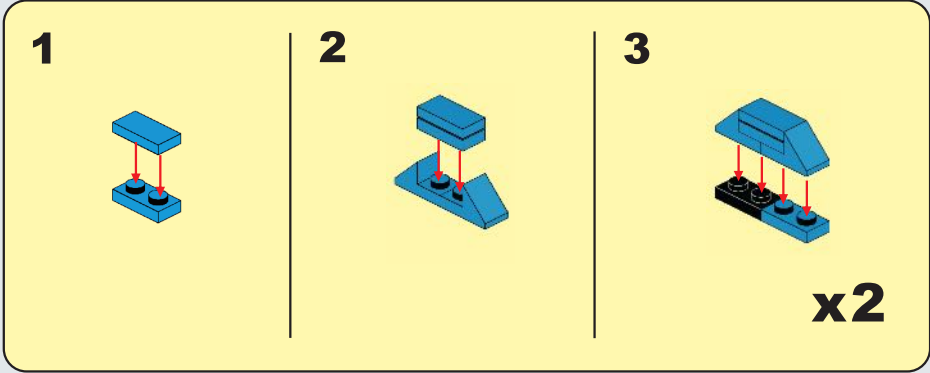


G35

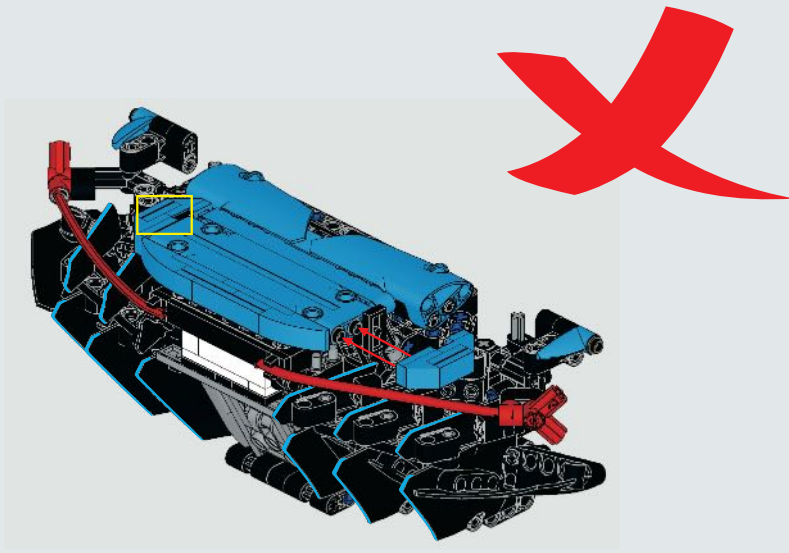
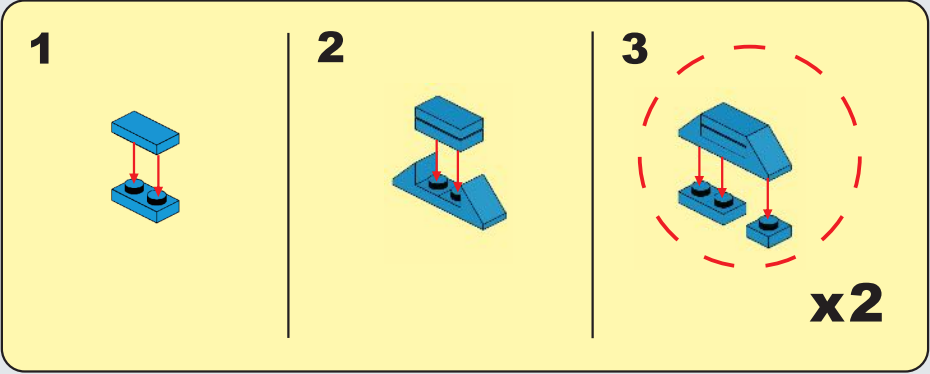




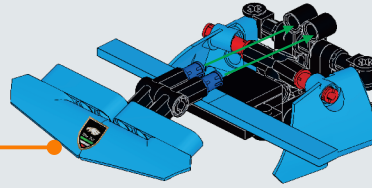
G37



G37



H5



H29

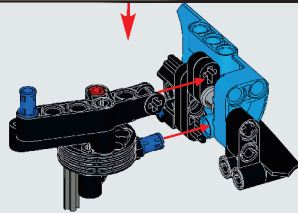
1

2

3

4

5



H36

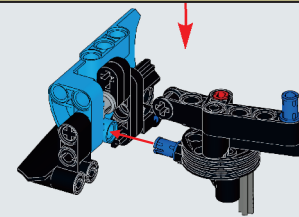
1

2

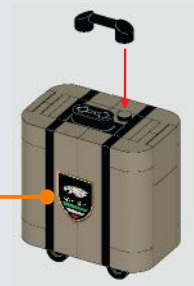
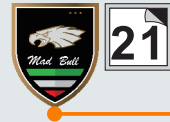
3

4

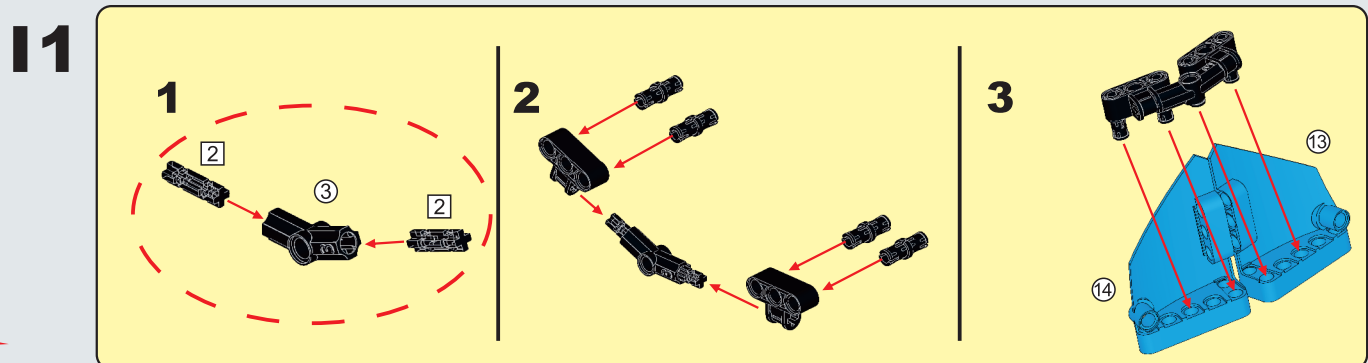
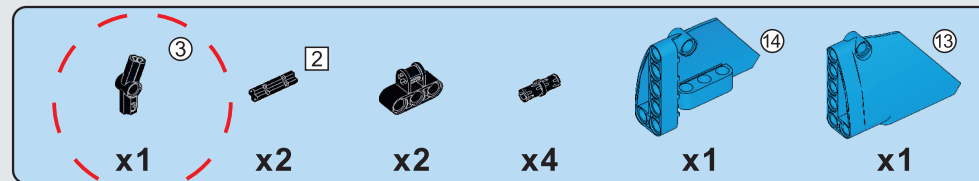
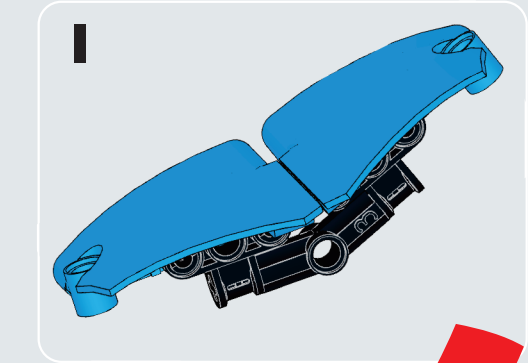
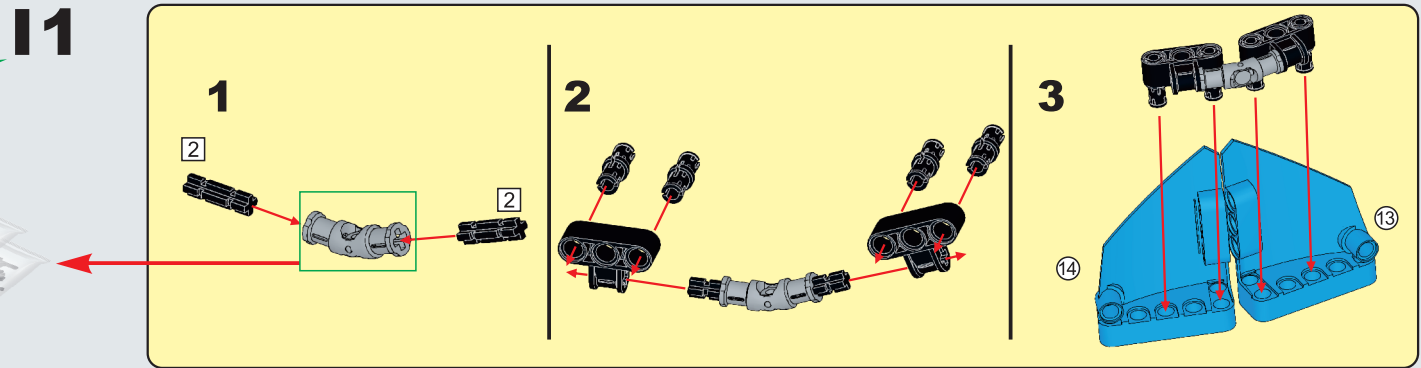
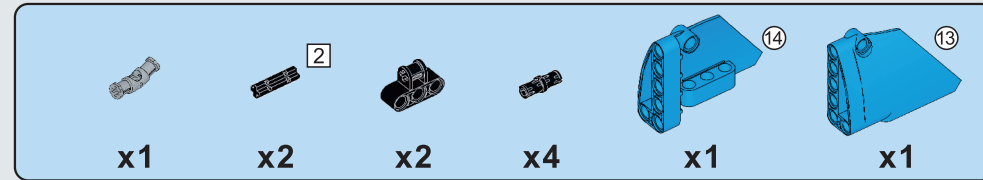
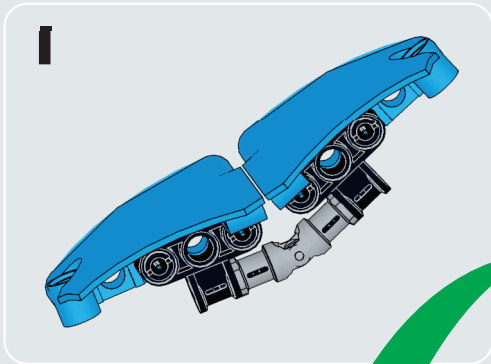
5

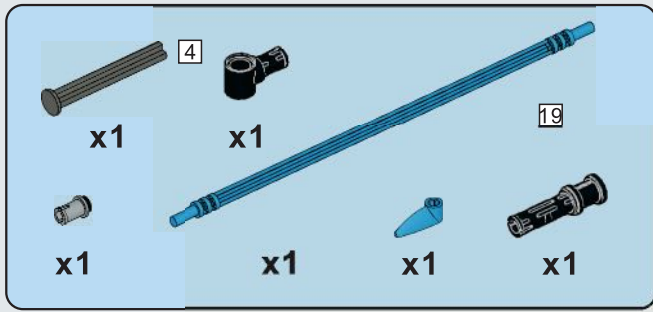


H60

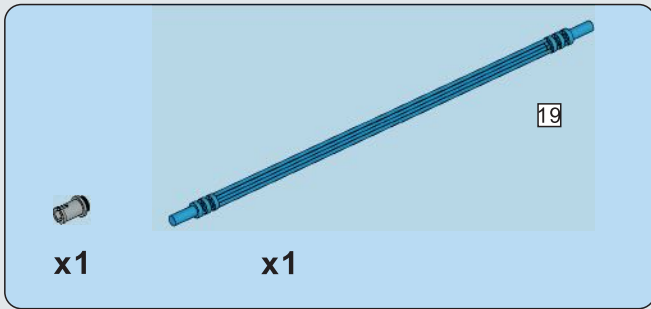
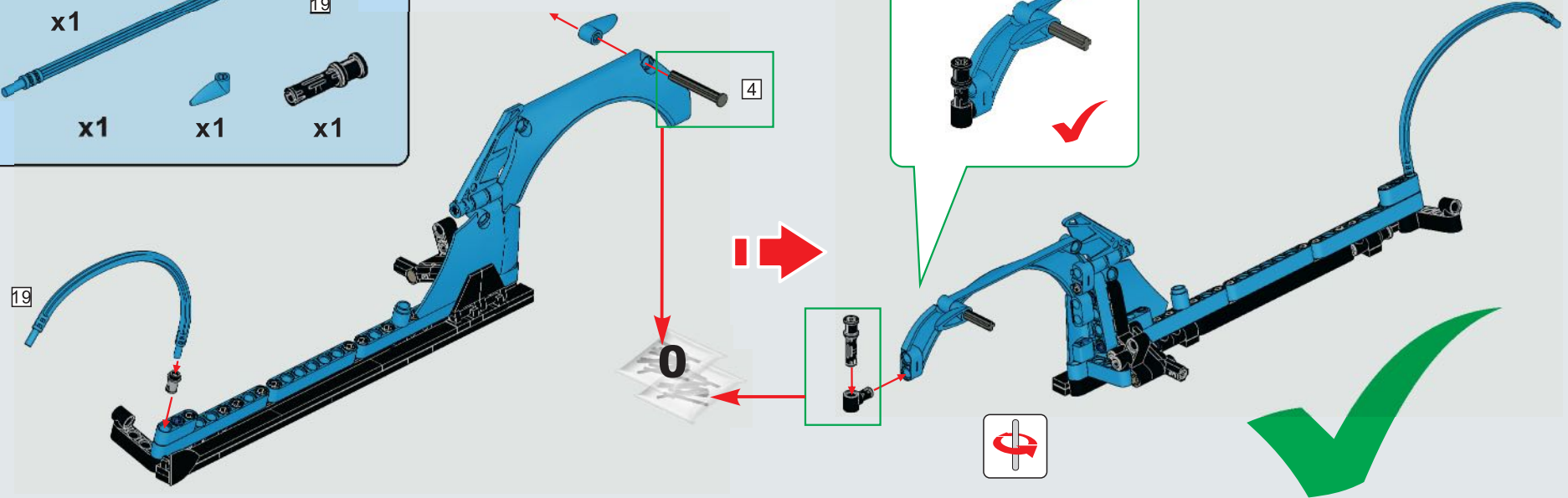


197 C61041

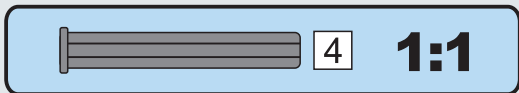


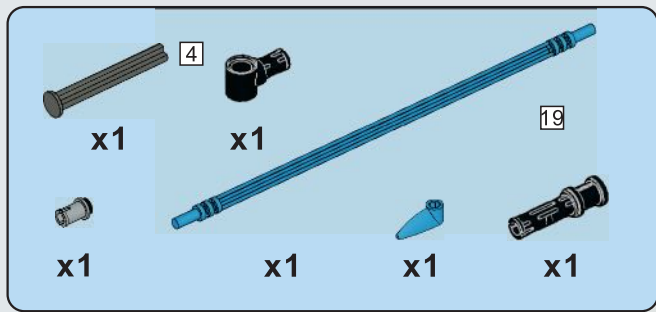


J12

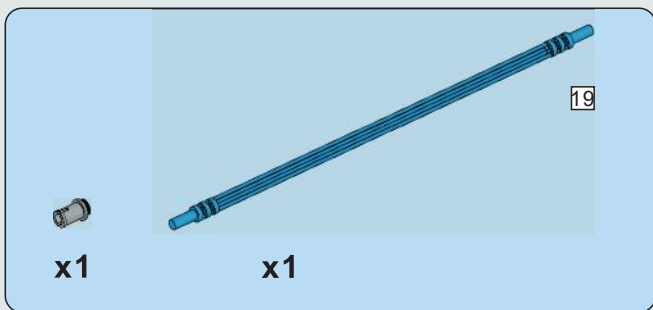
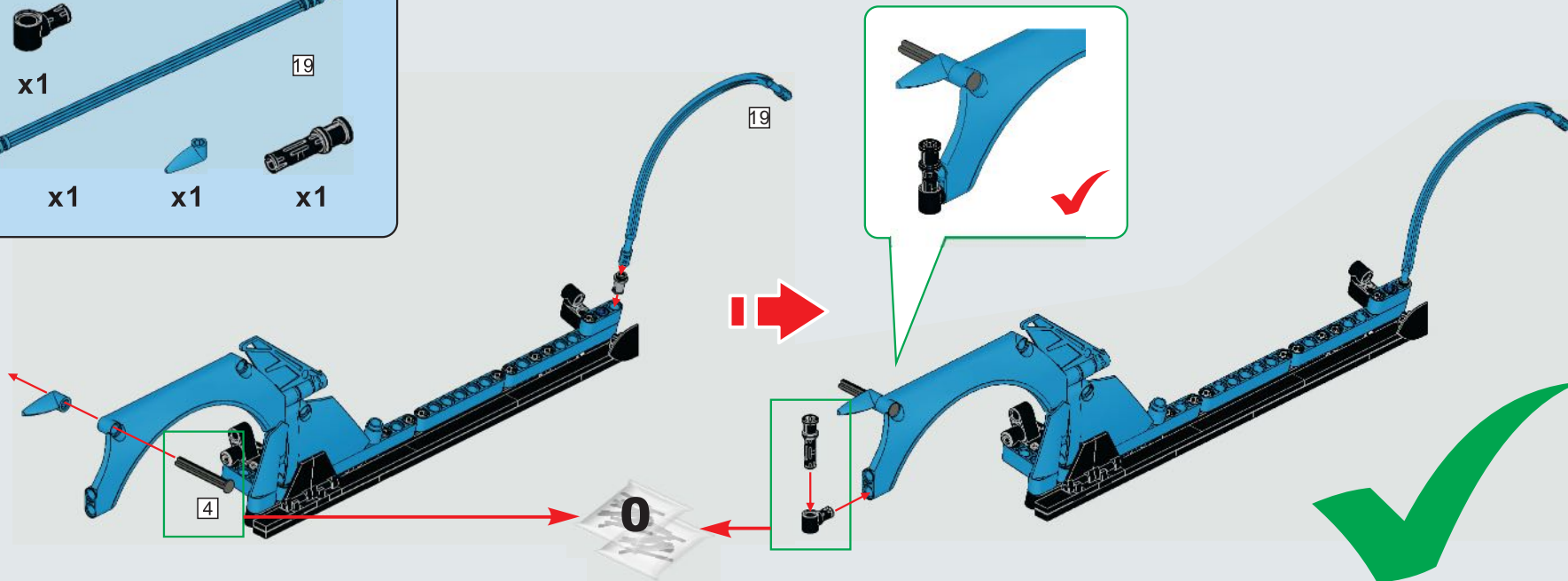


J12

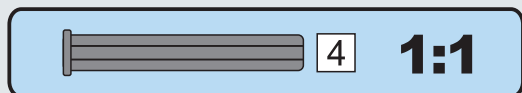


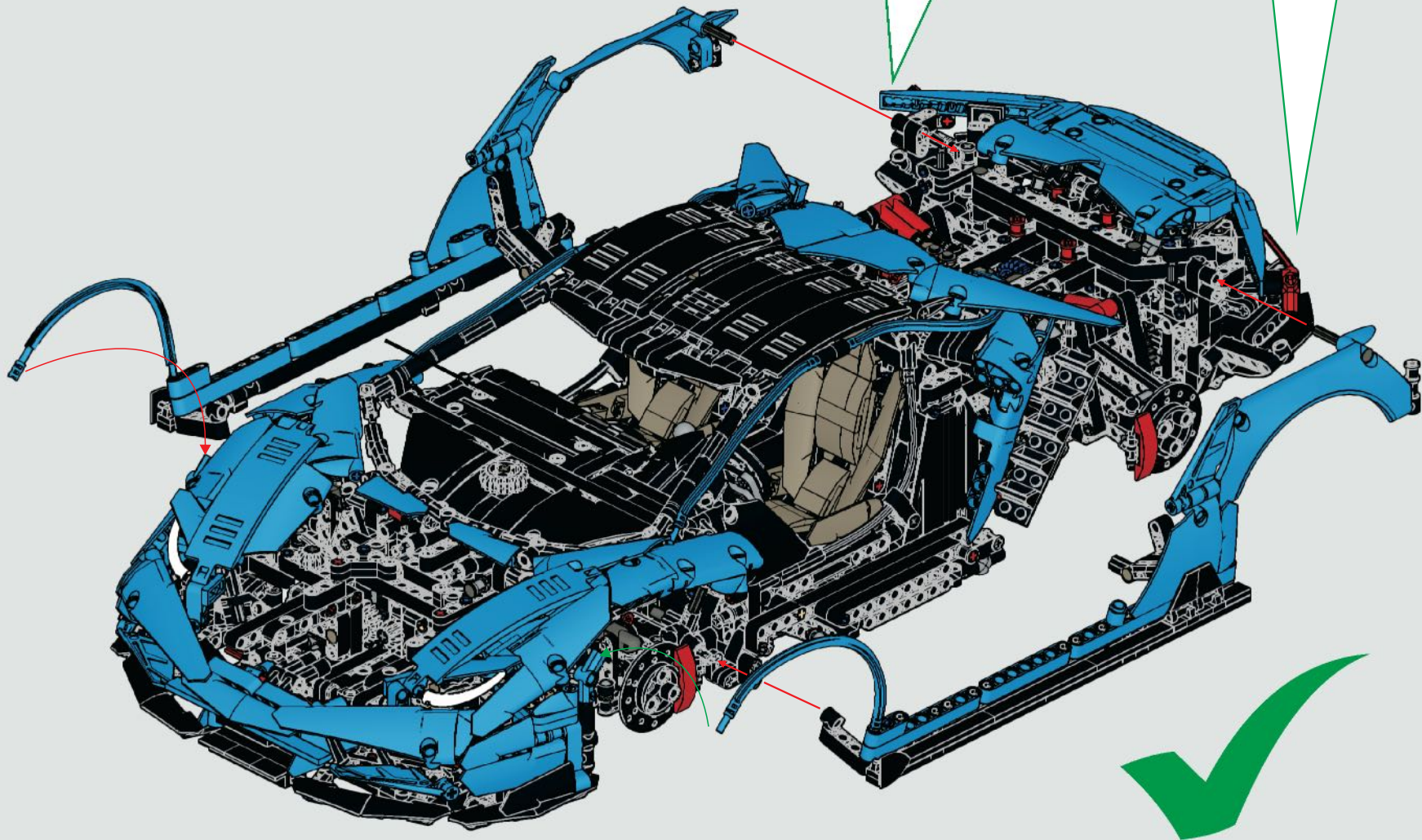
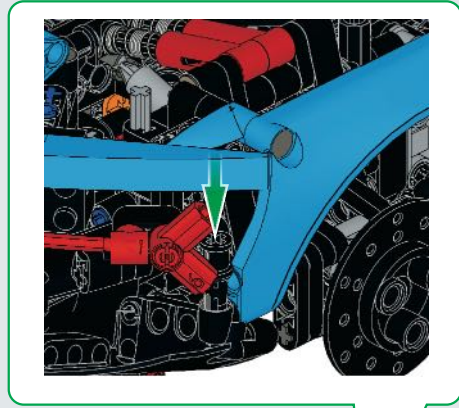














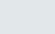
J24



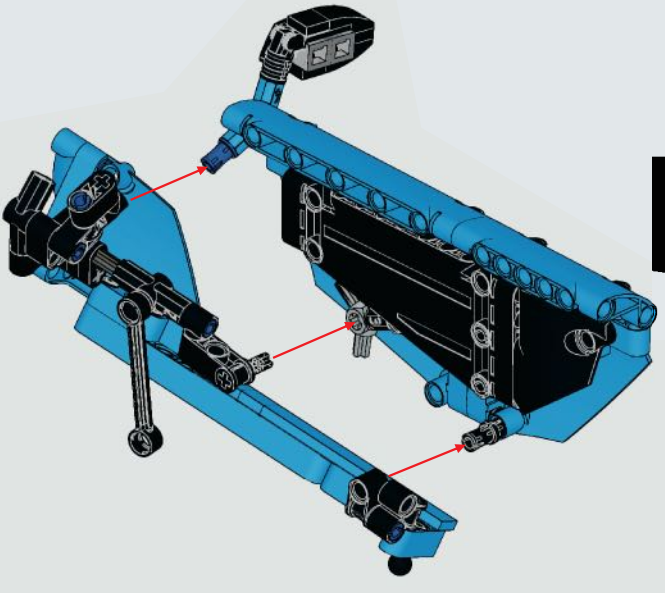
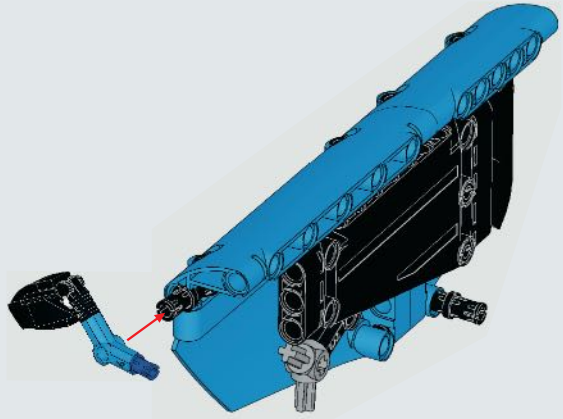
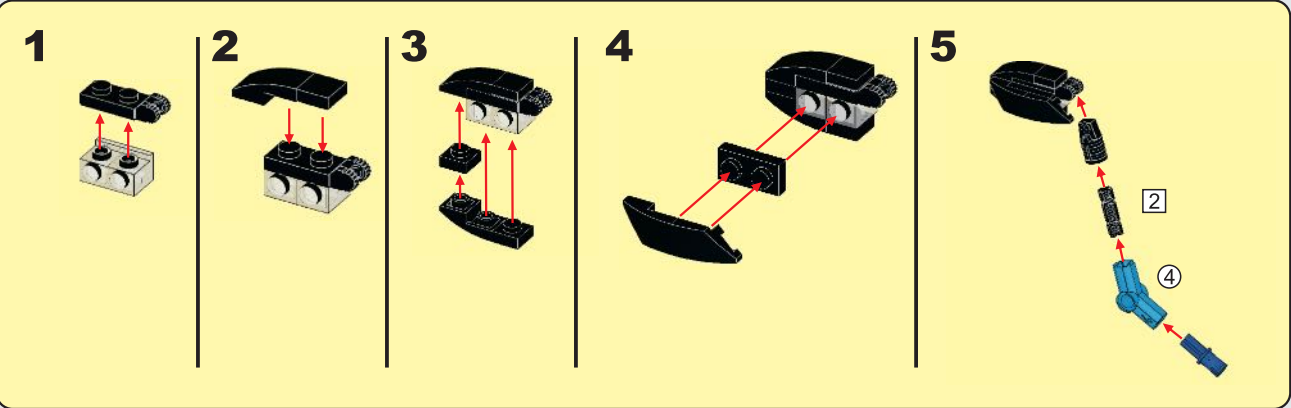
J24



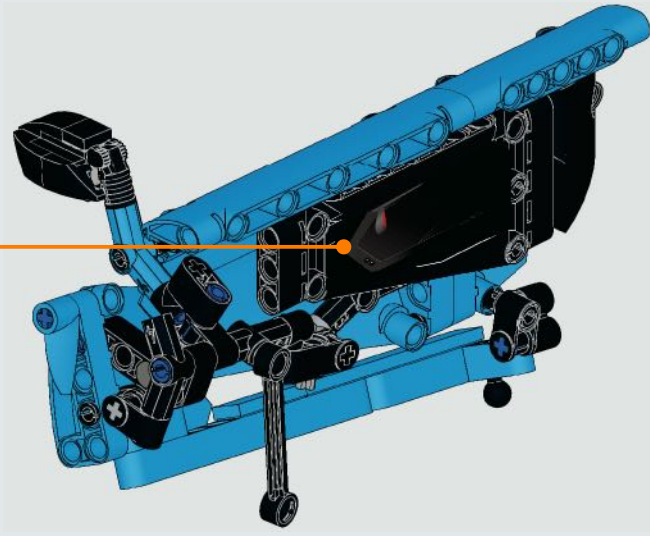


-  x1
-  x2
-  x1 2
-  x1
-  x2
-  x1
-  x1
-  x1
-  x1
-  x1
-  x1 4
-  x1
-  x2

M4



25



 2 1:1