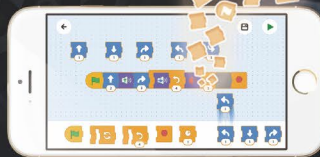


CaDA[®] *Blade*



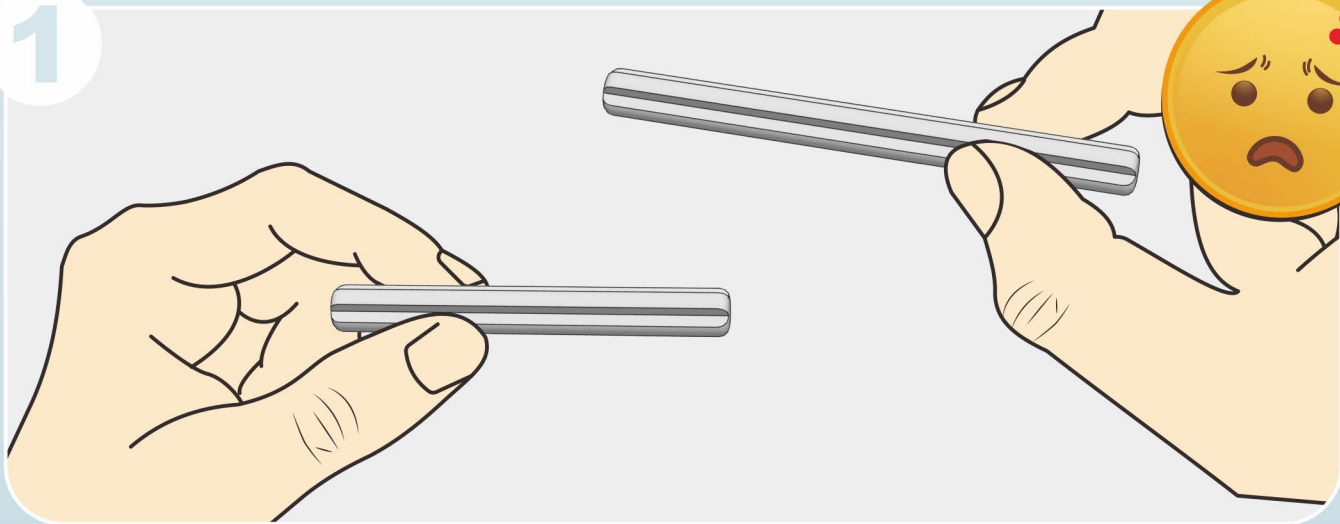
C51306

RC
RADIO CONTROL
2.4G

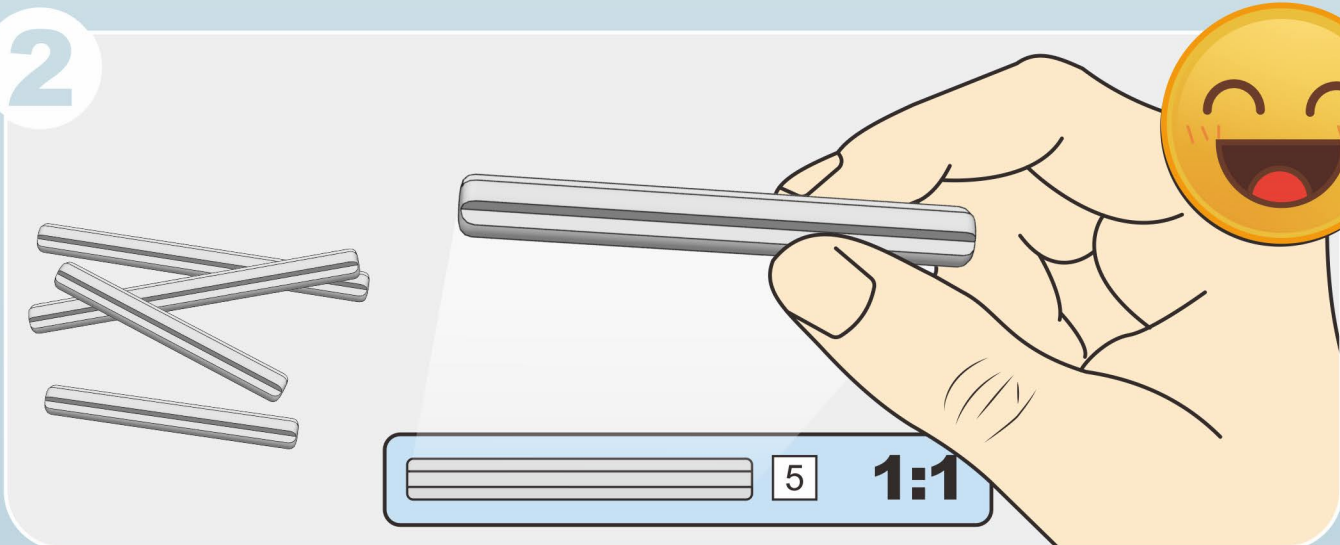


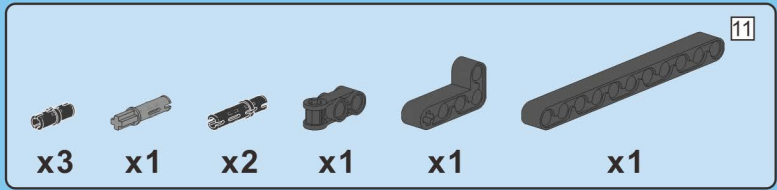
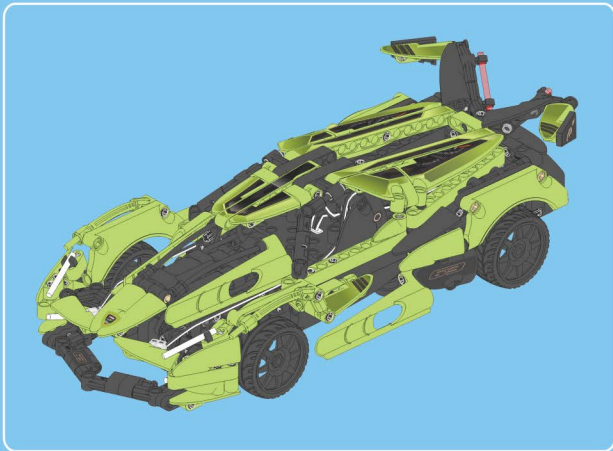
**DUAL
MODE
CONTROL**

1

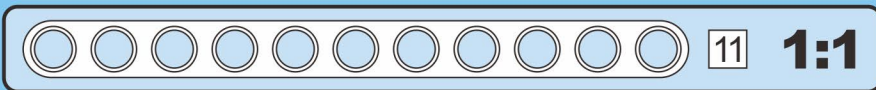
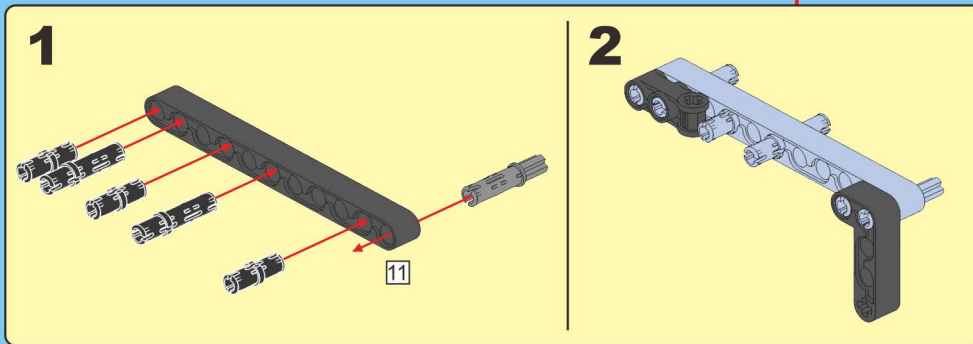
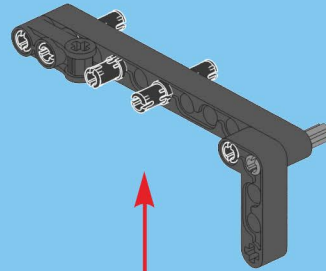


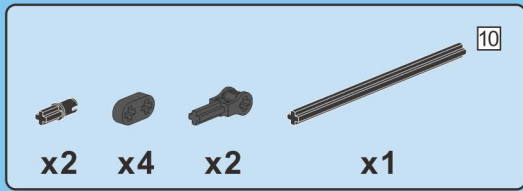
2



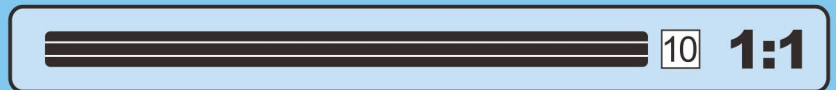
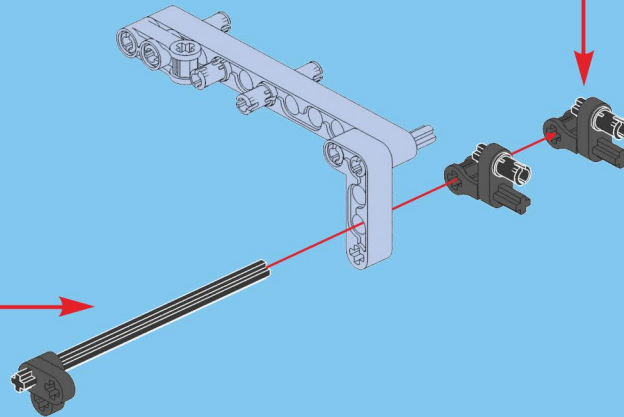
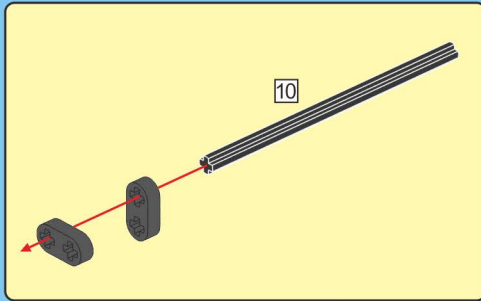
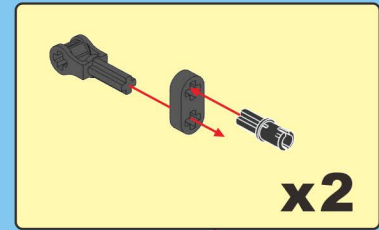
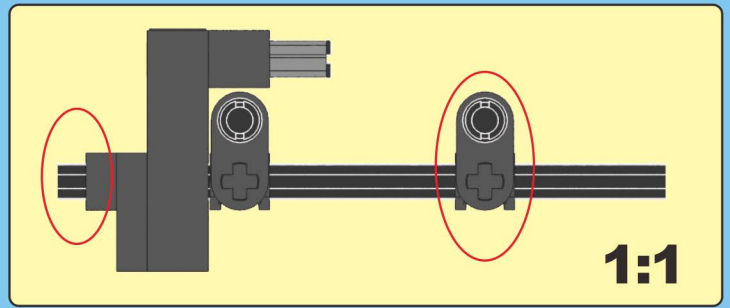


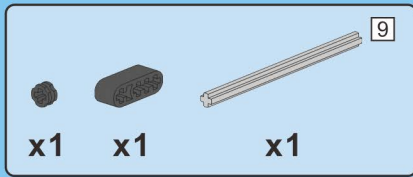
A1



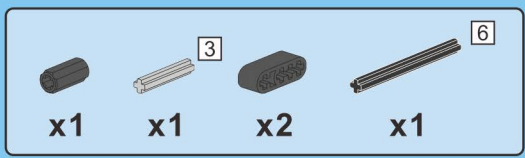
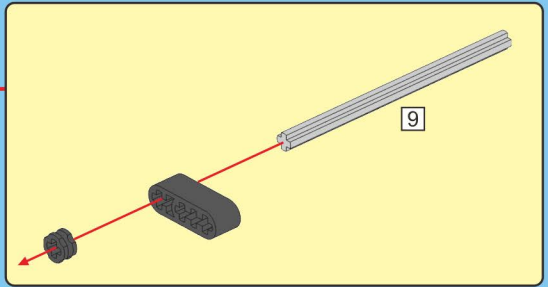
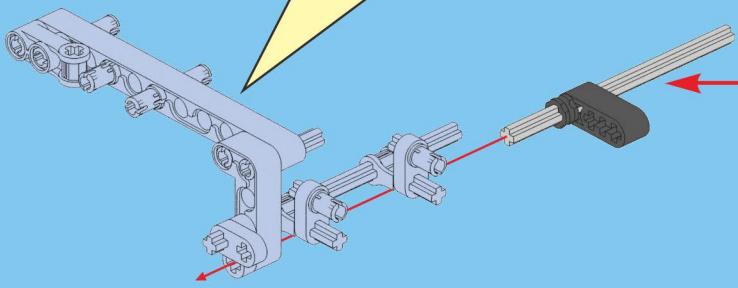
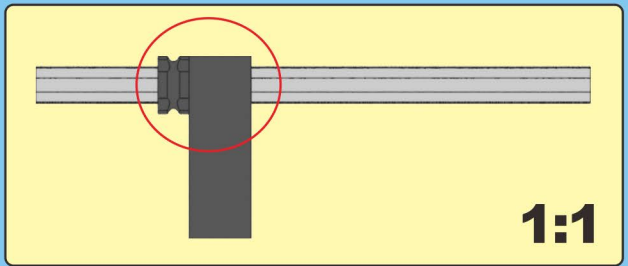
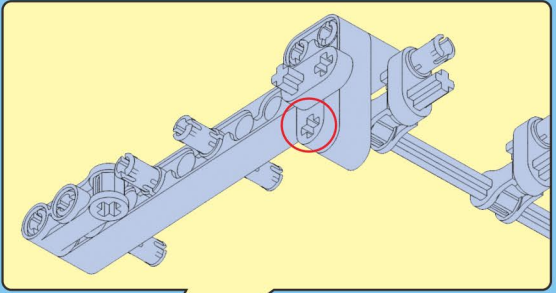


A2

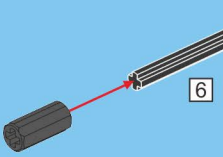
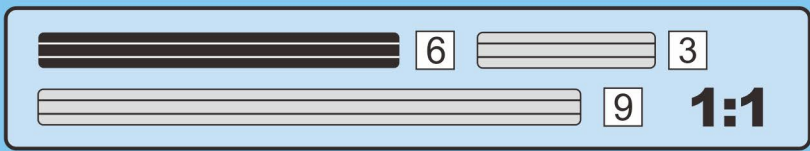
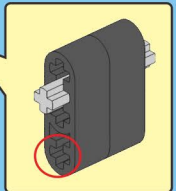
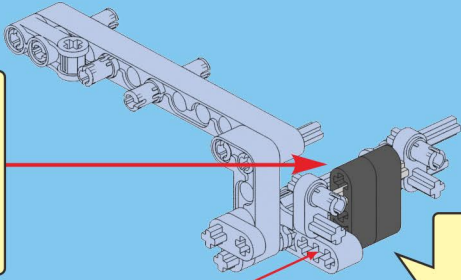
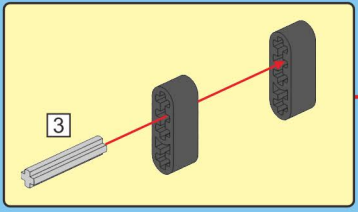


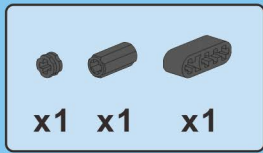


A3

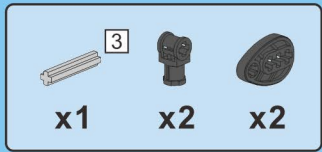
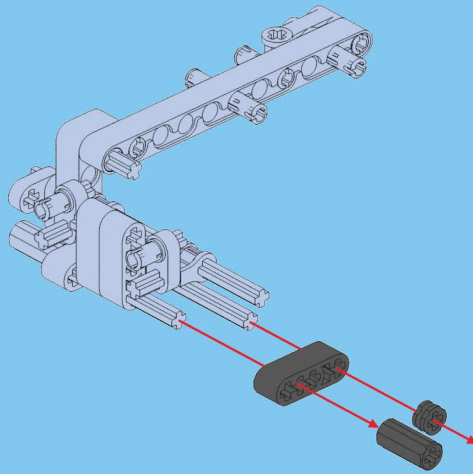


A4

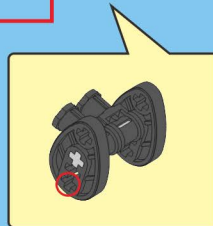
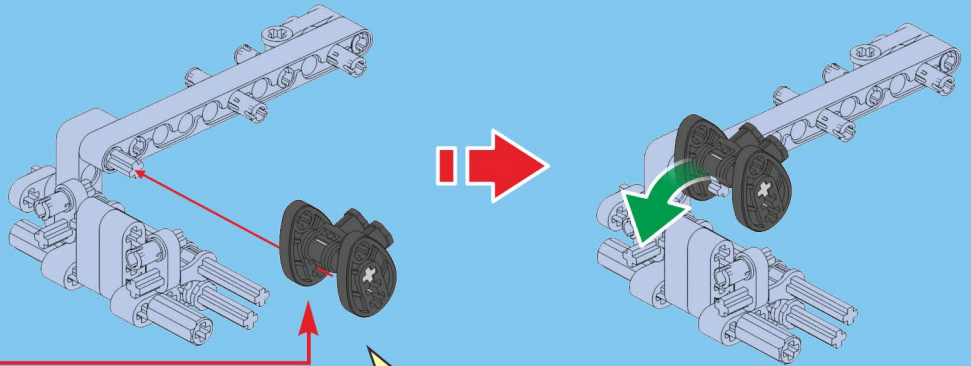
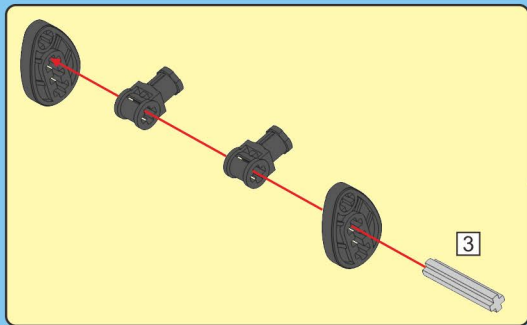


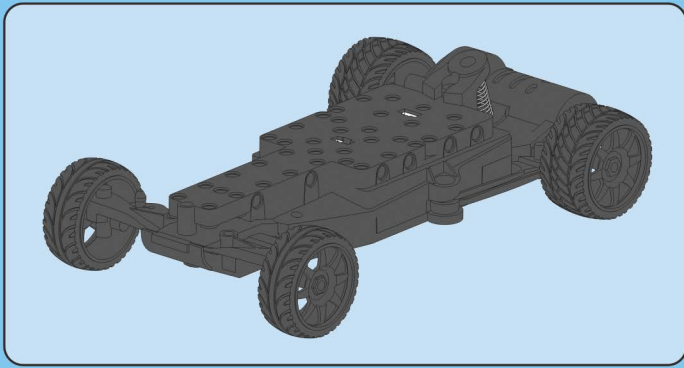


A5

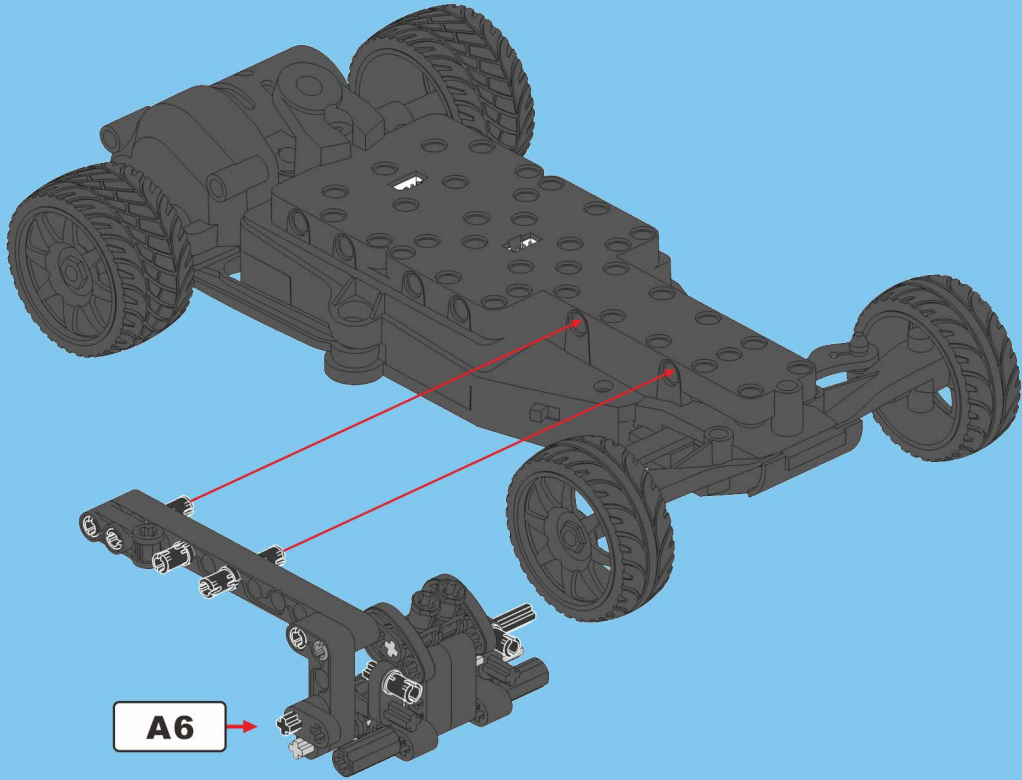


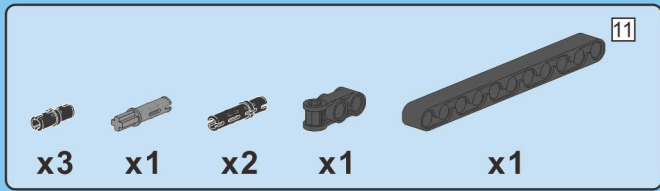
A6



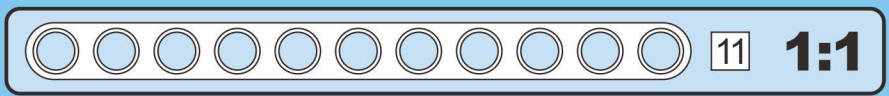
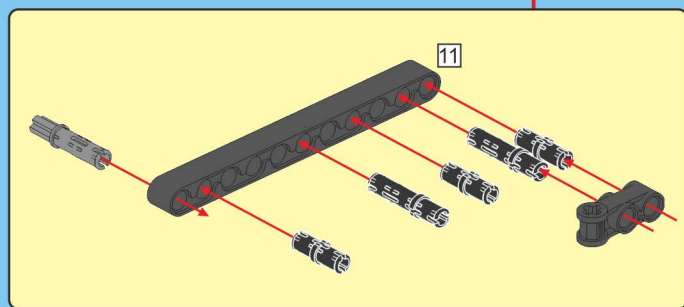
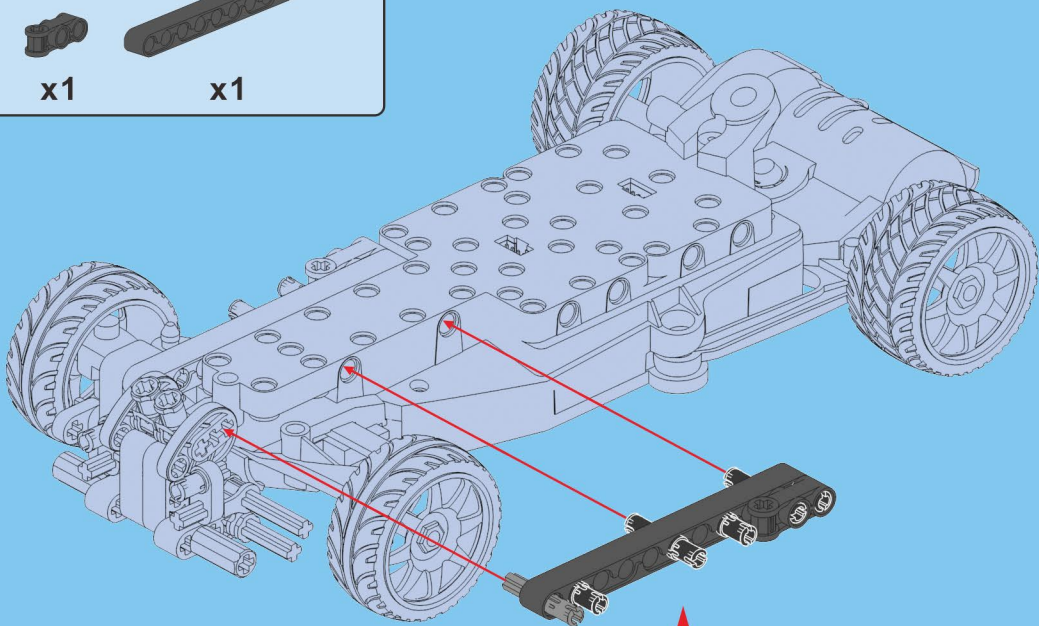


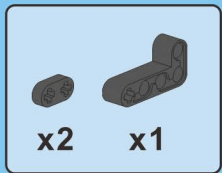
A7



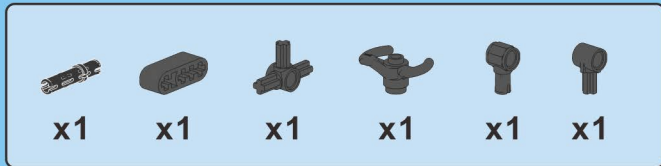
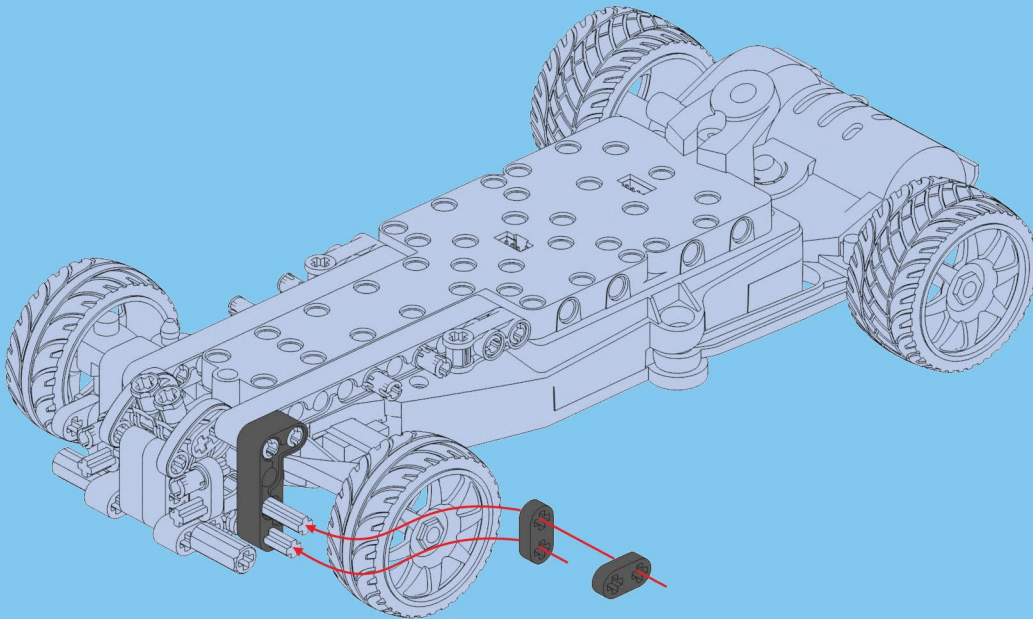


A8

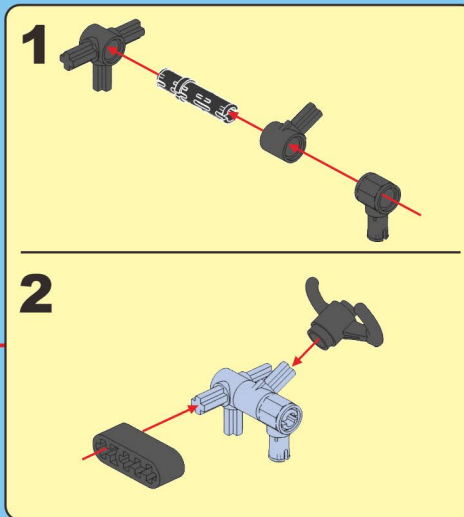


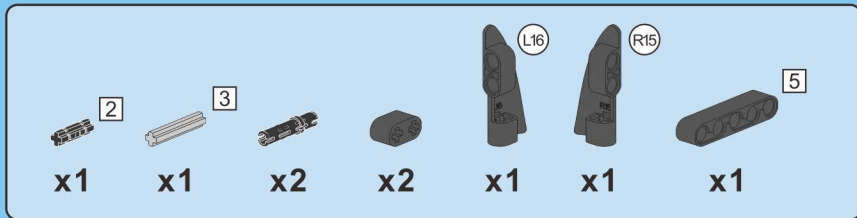


A9

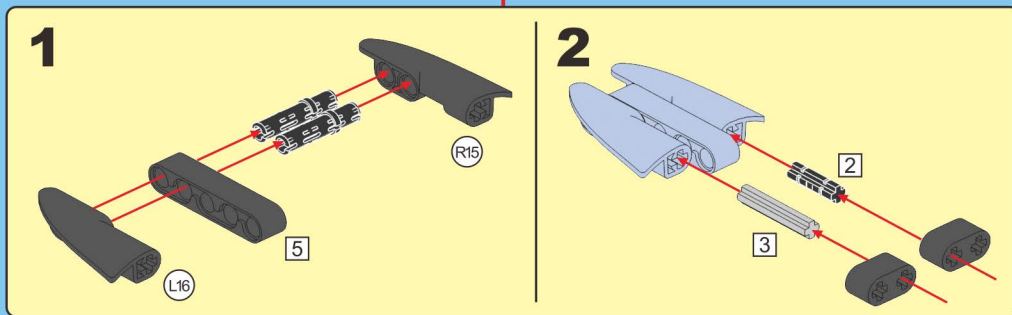
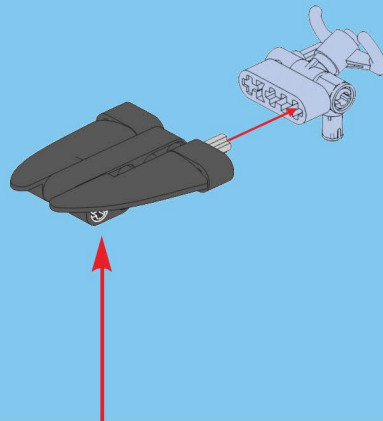


A10

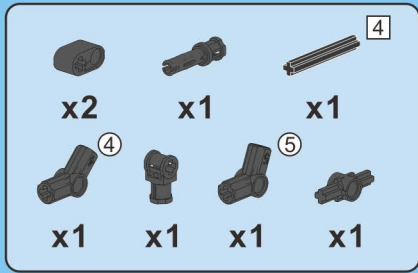
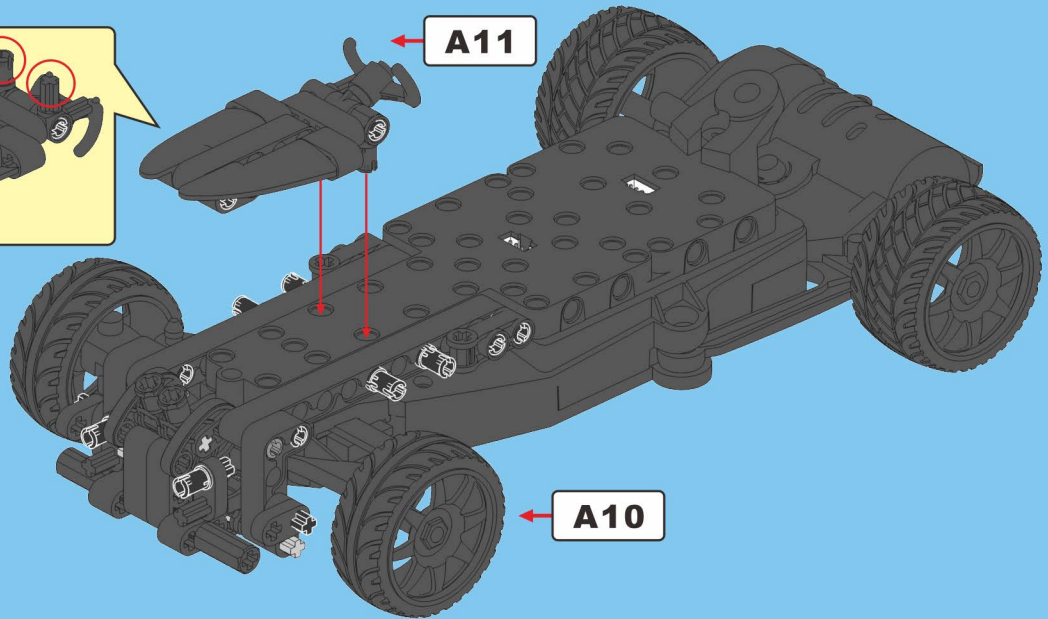
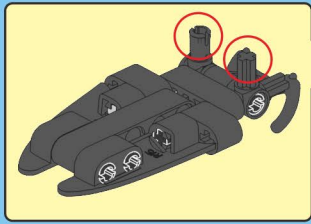




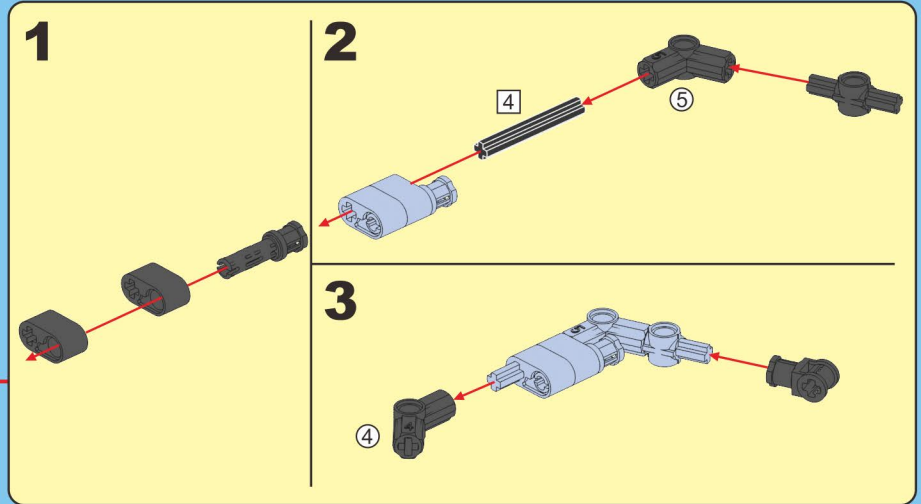
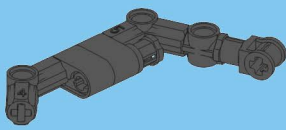
A11

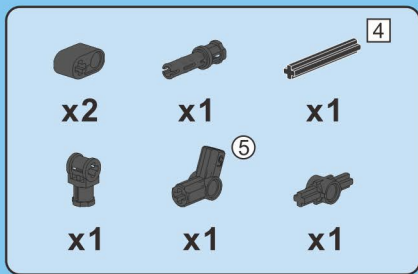


A12

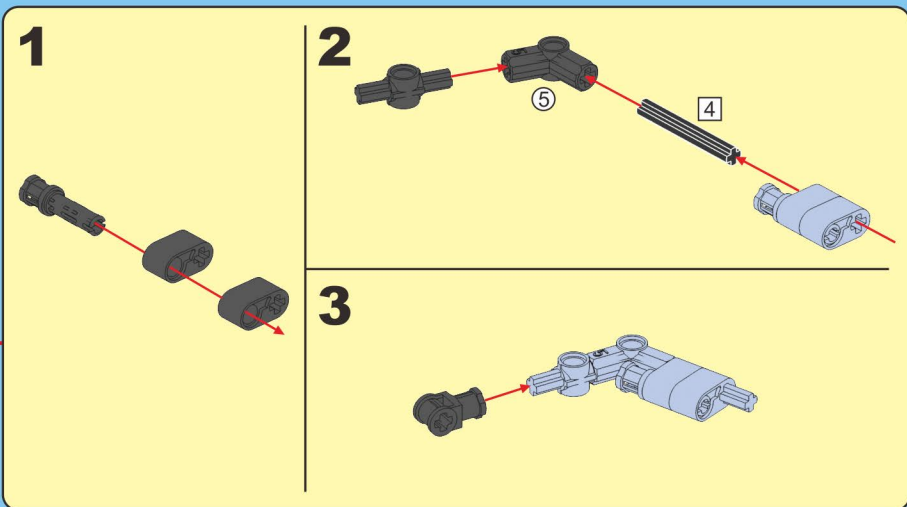
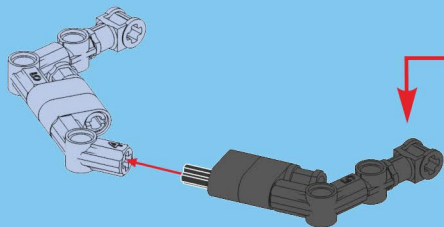


A13

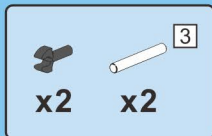
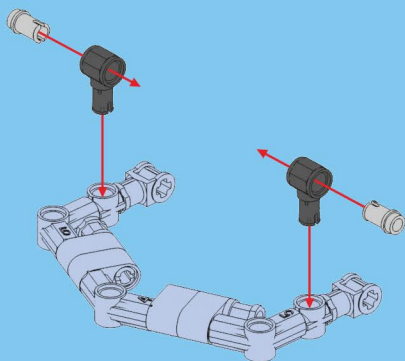




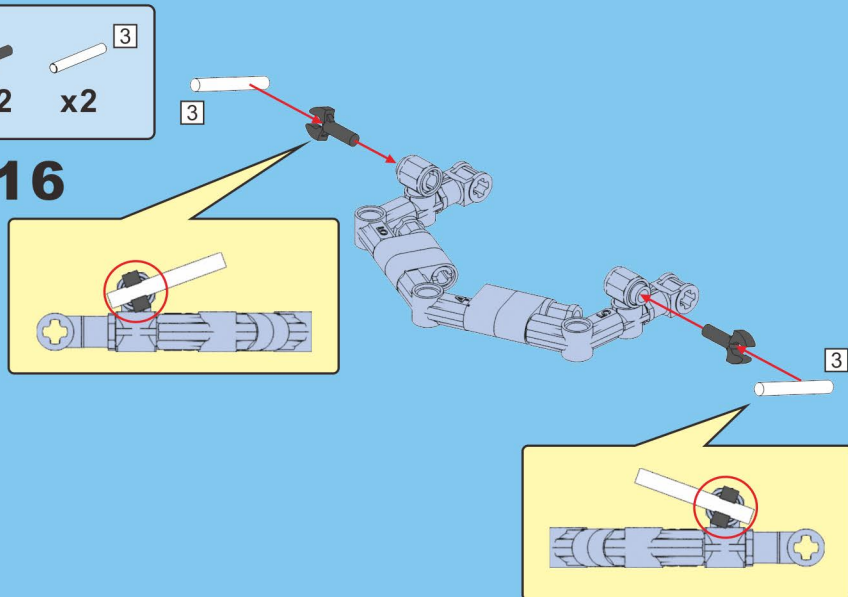
A14

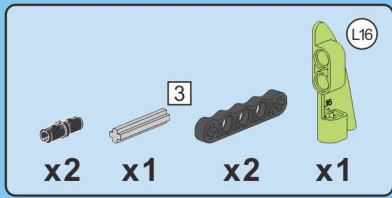


A15

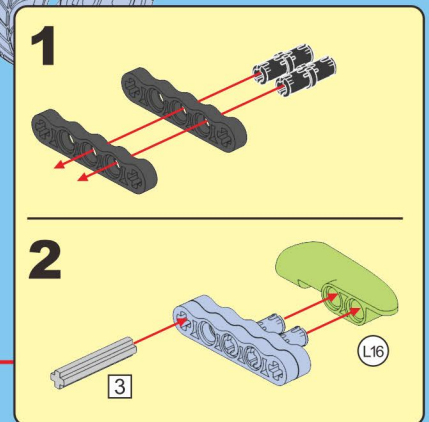
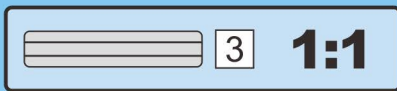
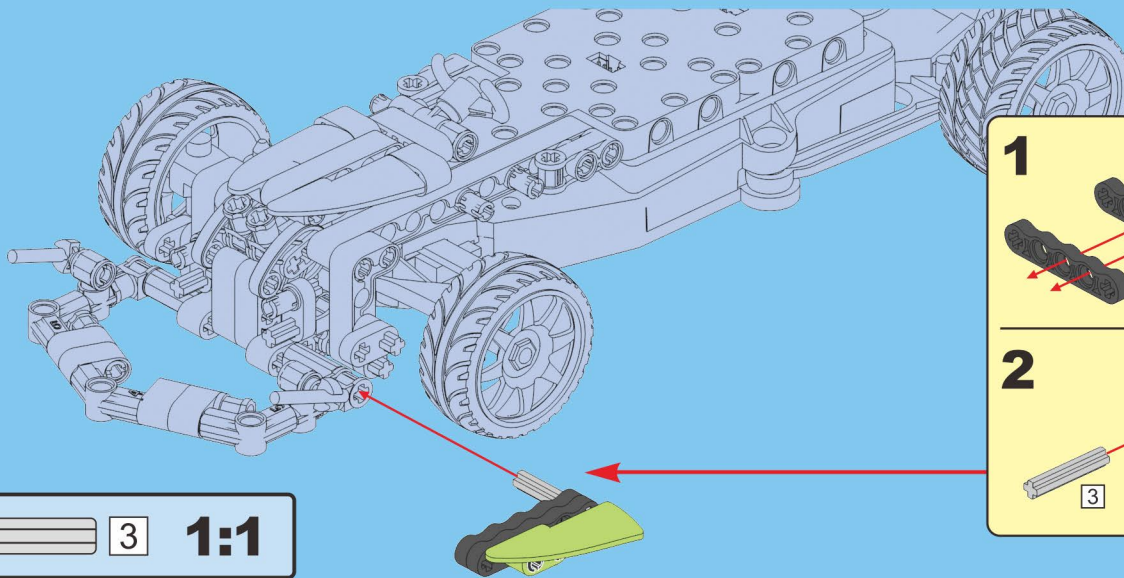
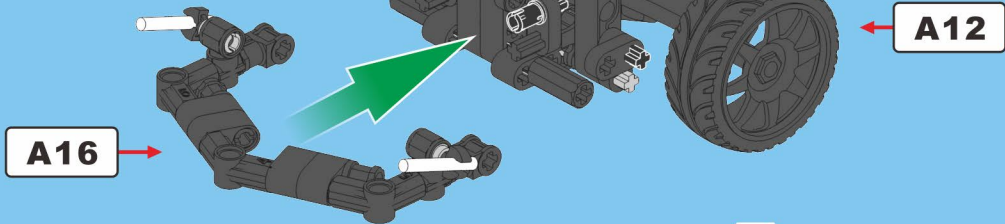


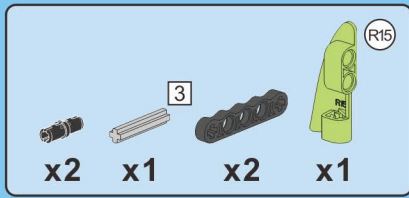
A16



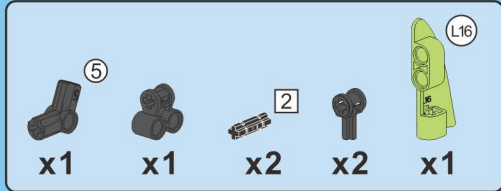
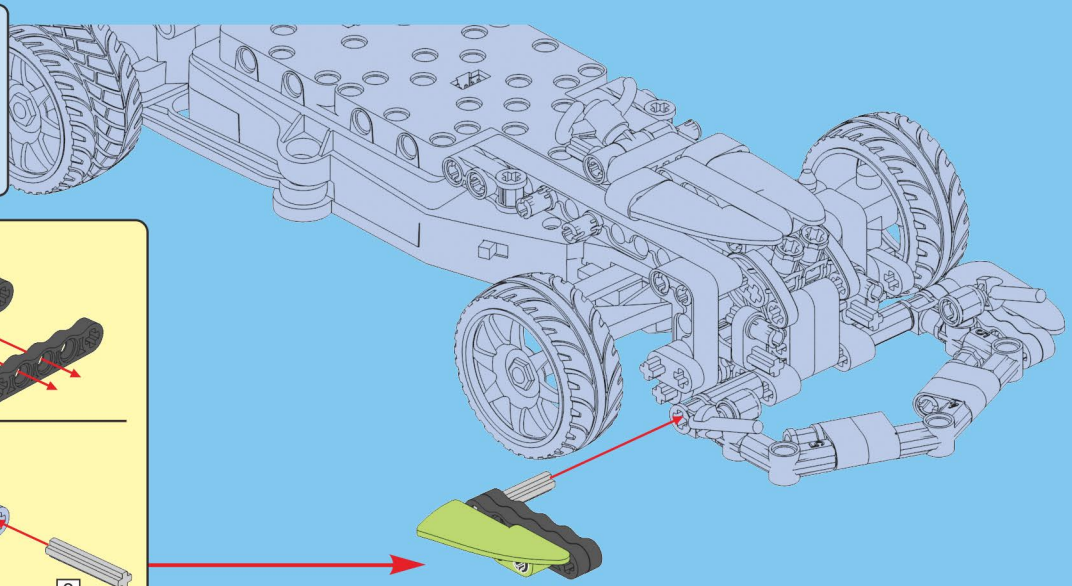
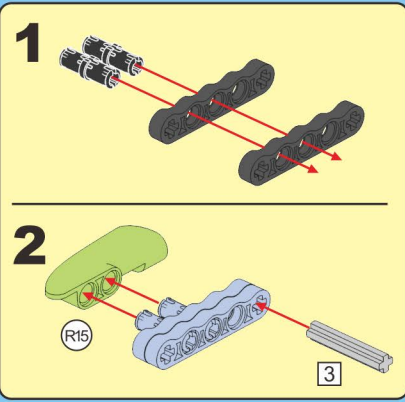


A17

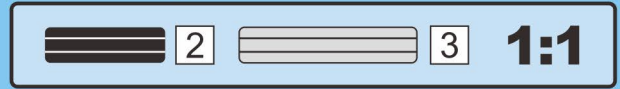
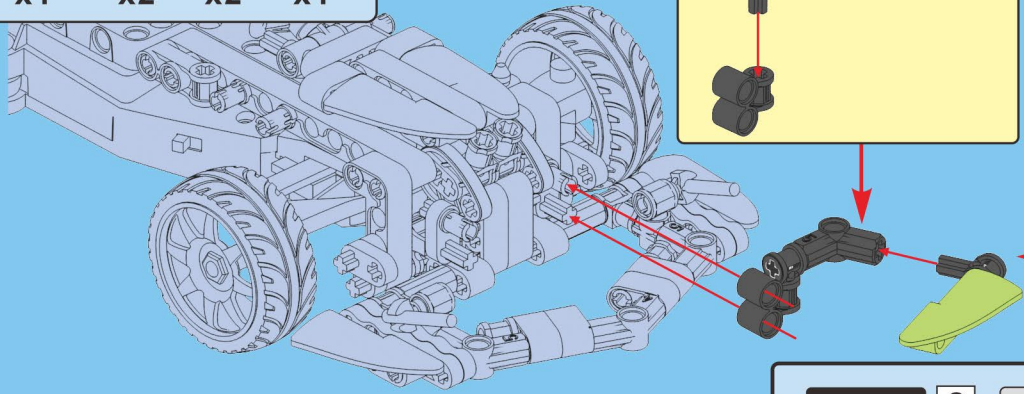
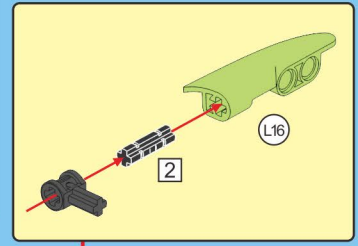
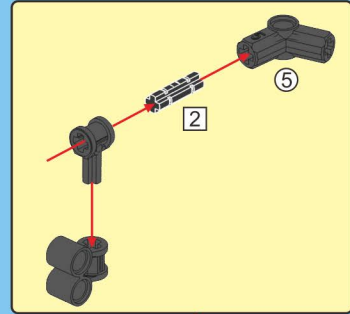


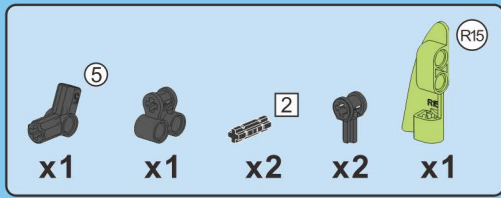


A18

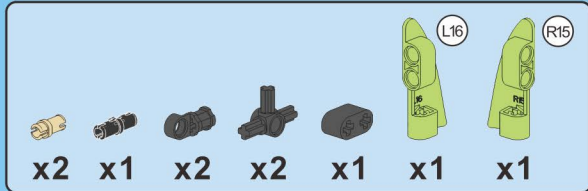
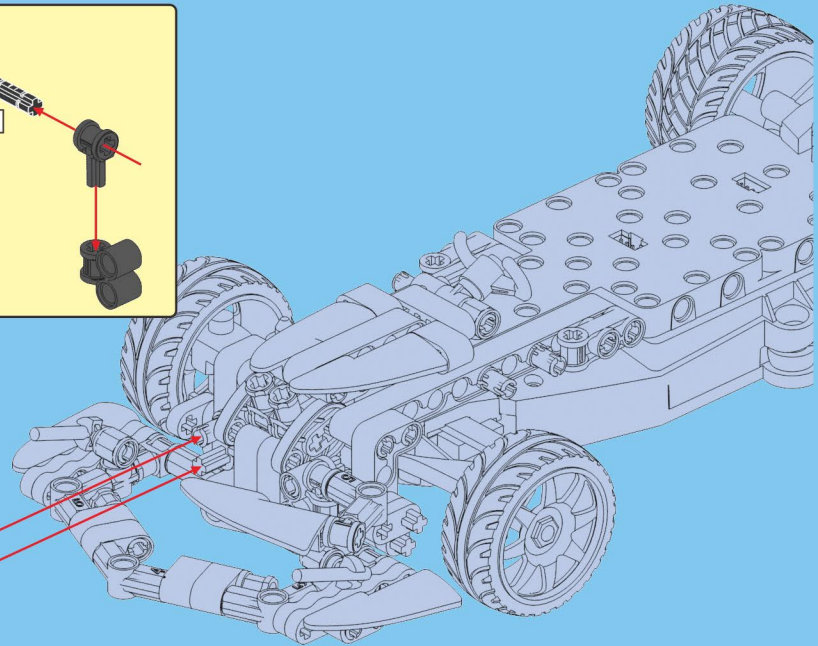
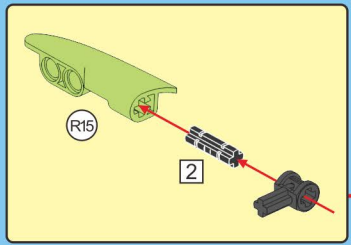
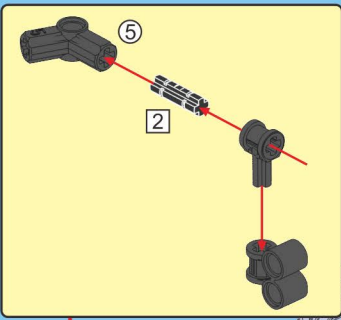


A19

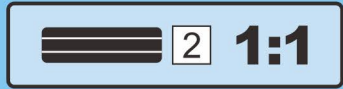
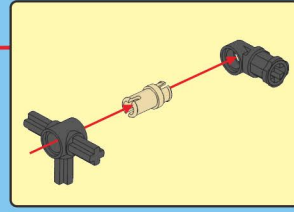
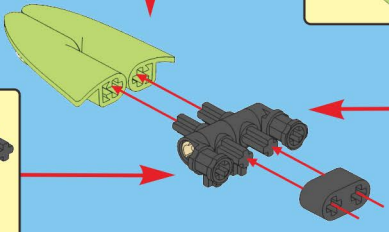
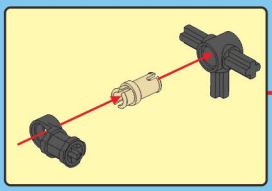
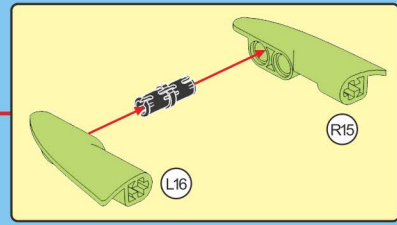




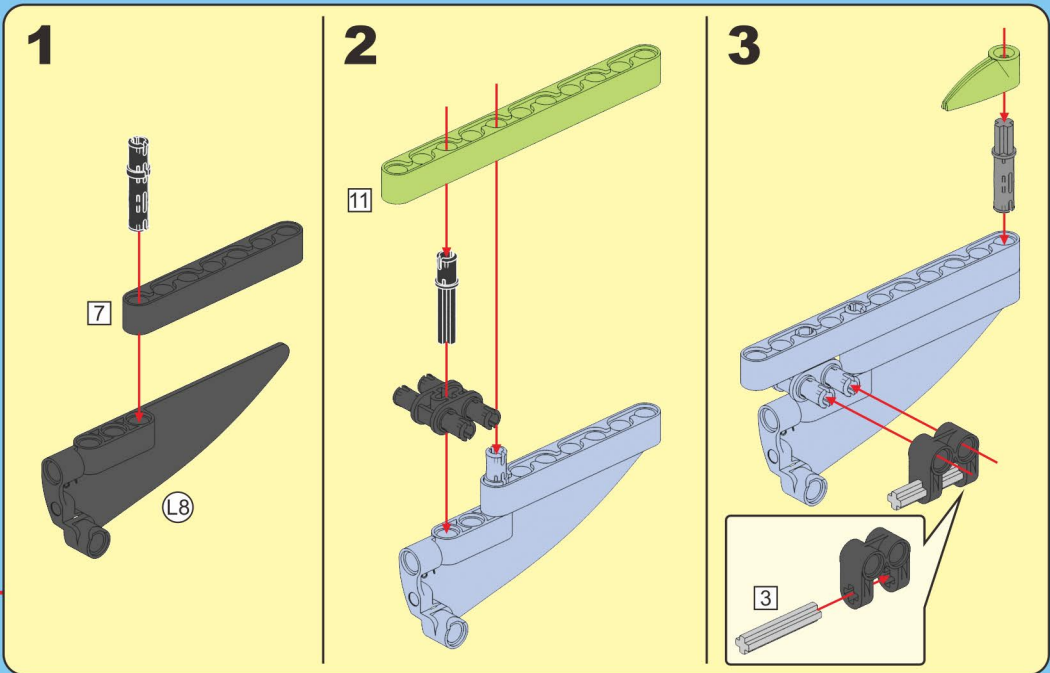
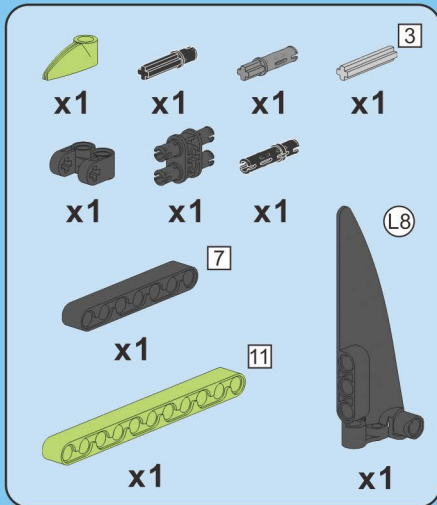
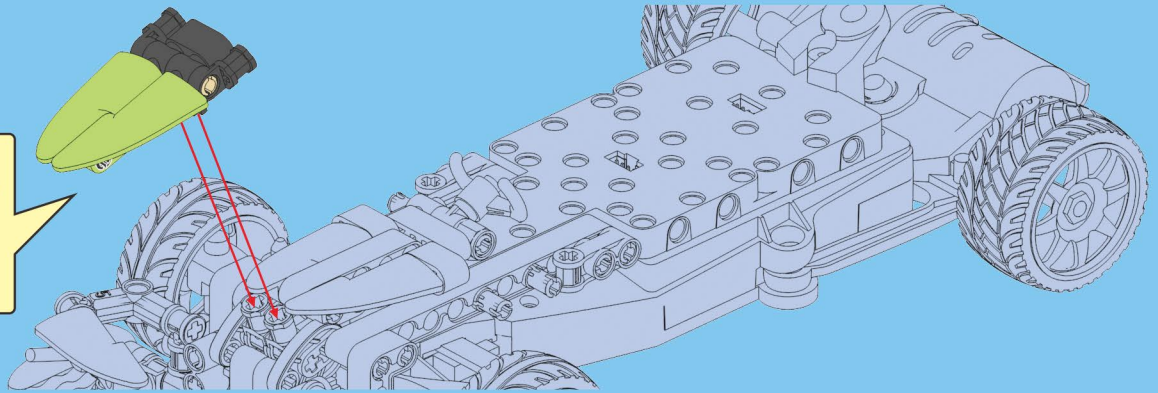
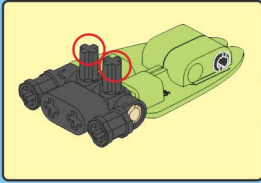
A20



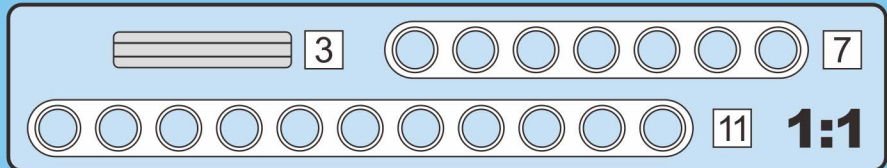
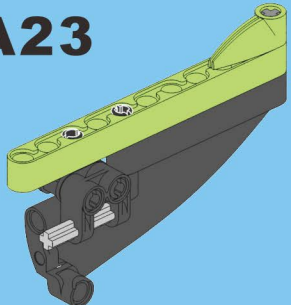
A21

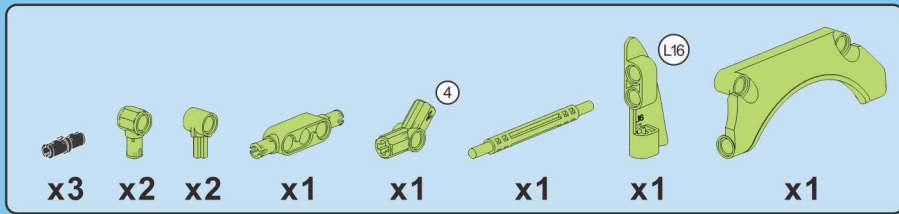


A22

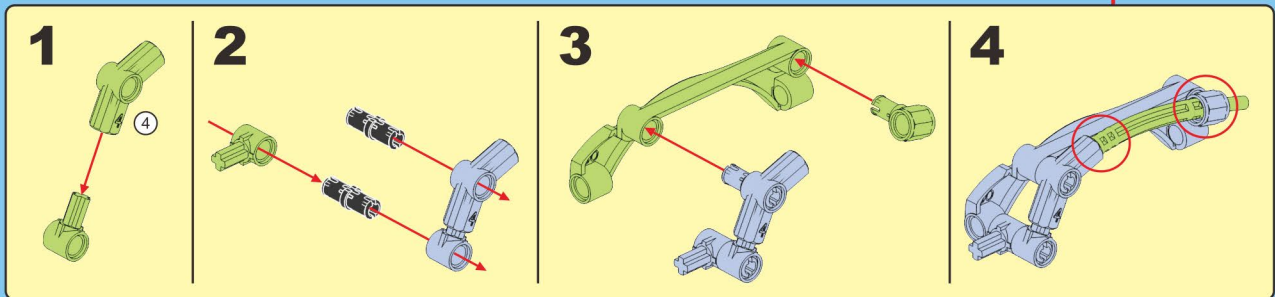
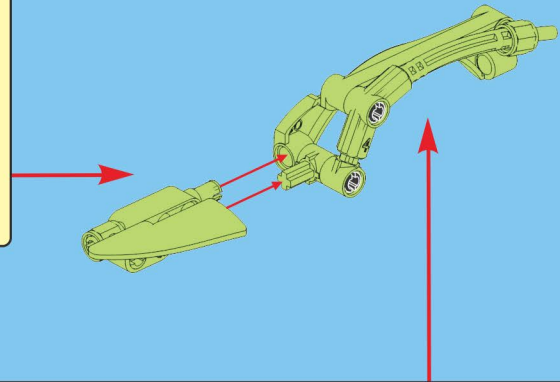
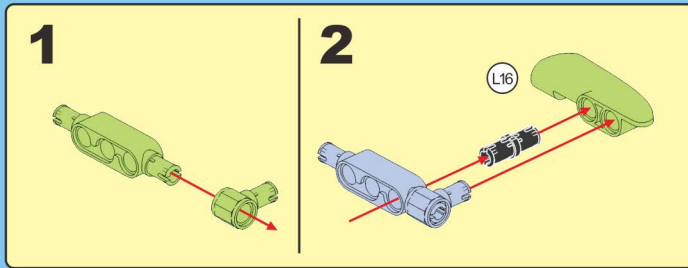


A23

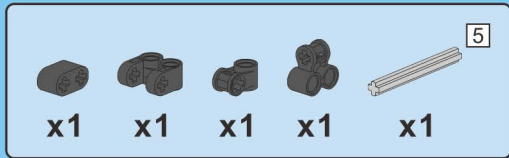
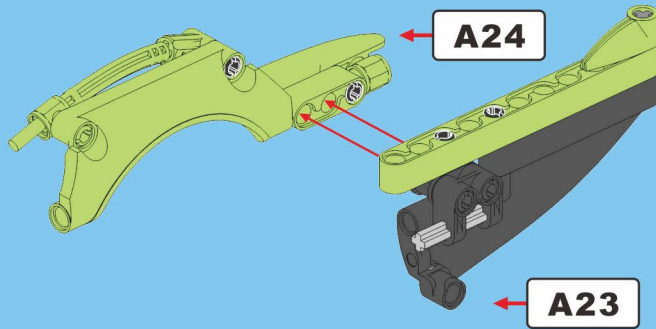




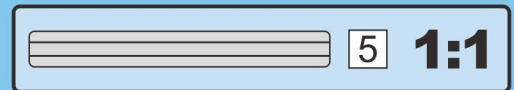
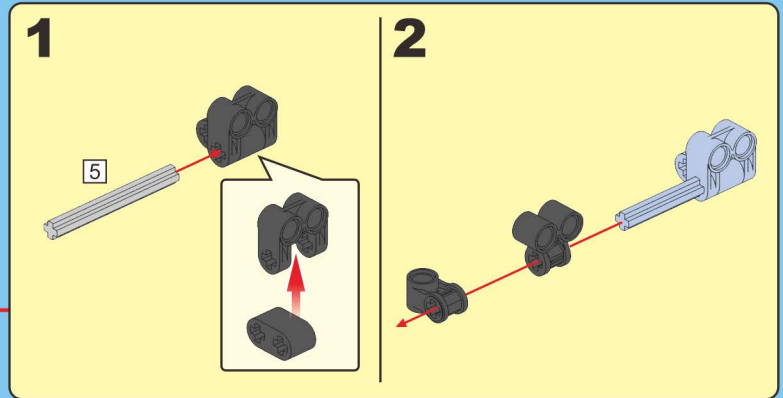
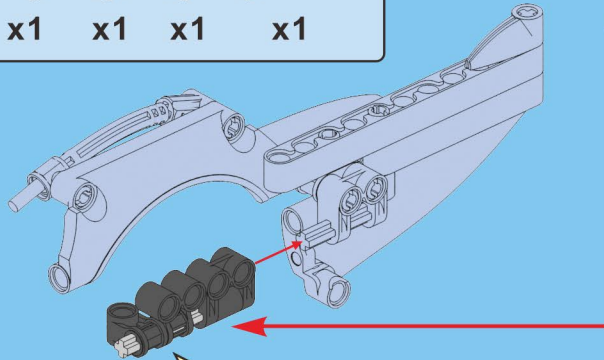
A24



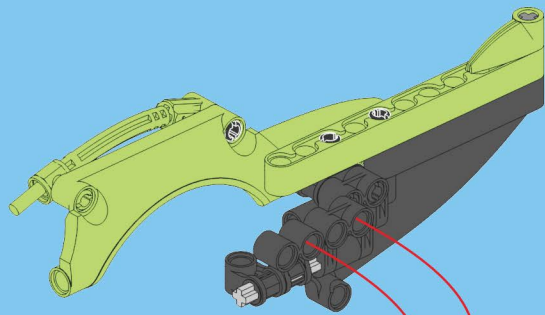
A25



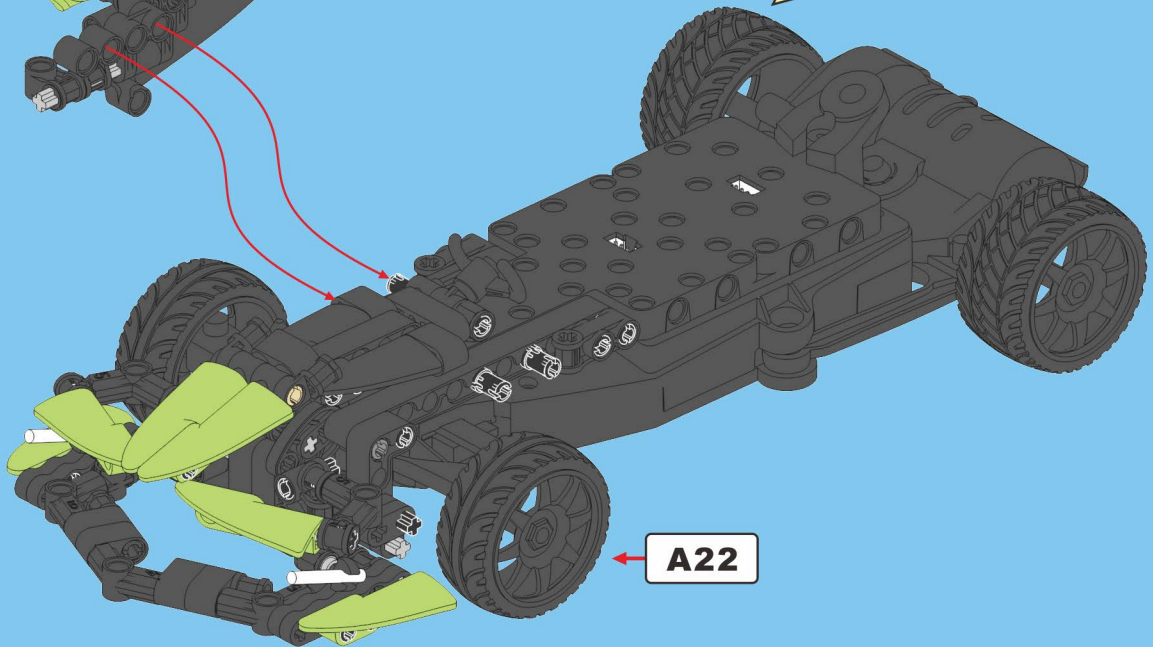
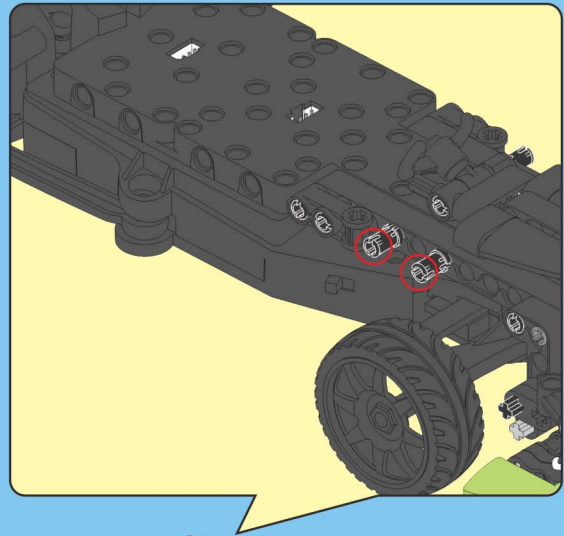
A26



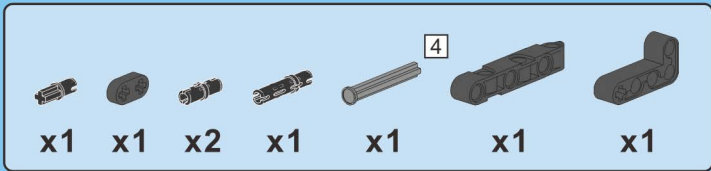
A27



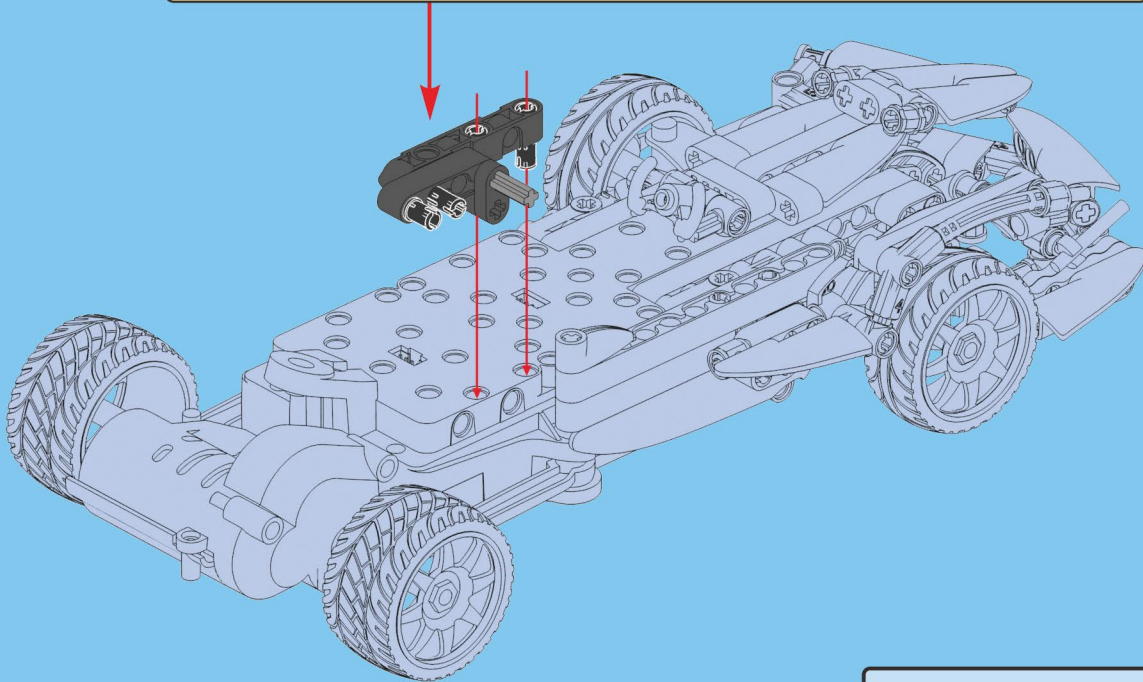
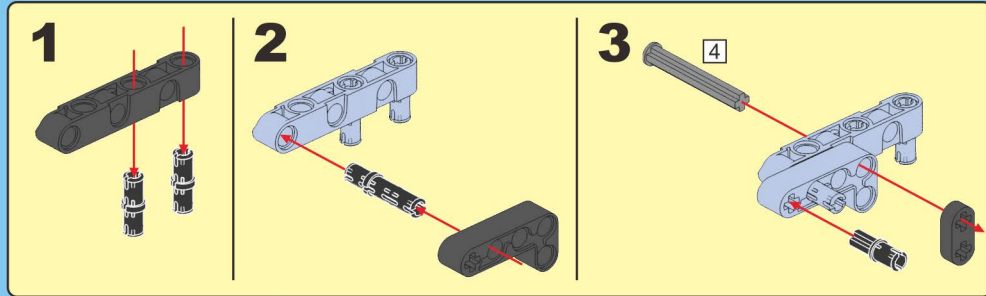
← **A26**

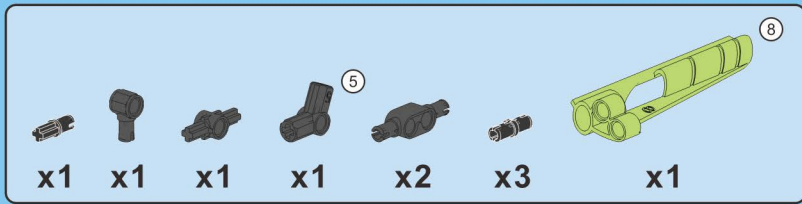


← **A22**

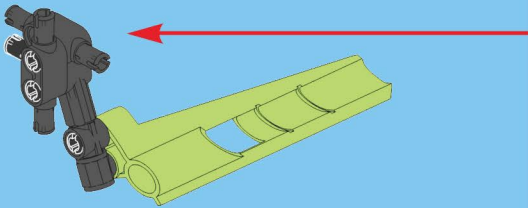


A28





A29

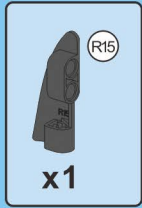
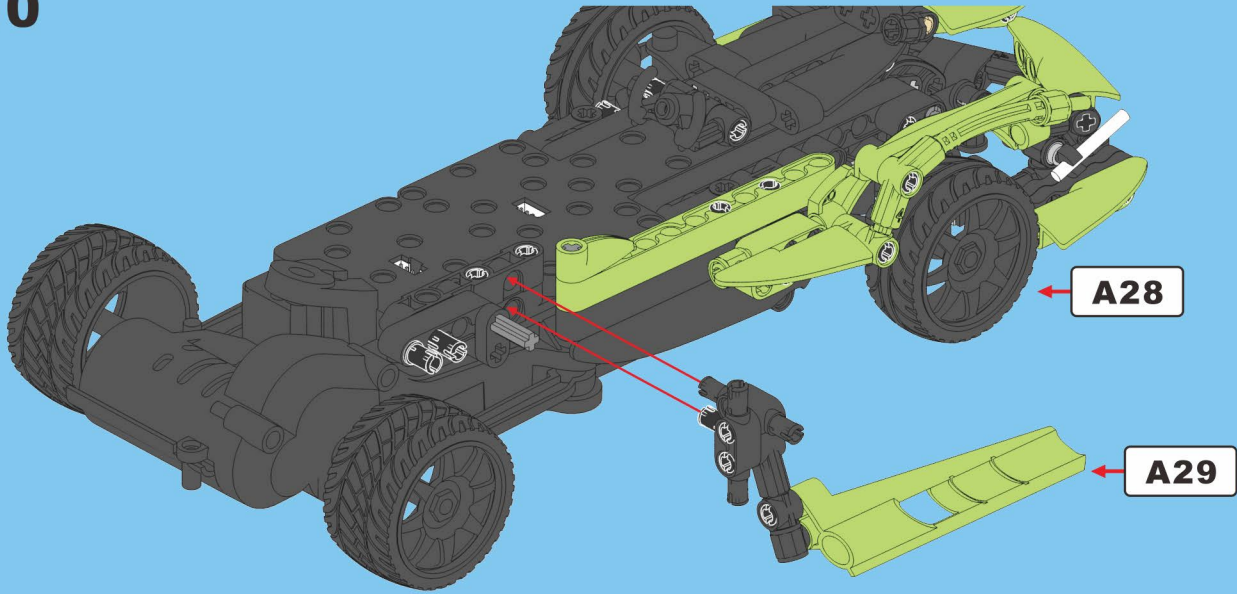


1

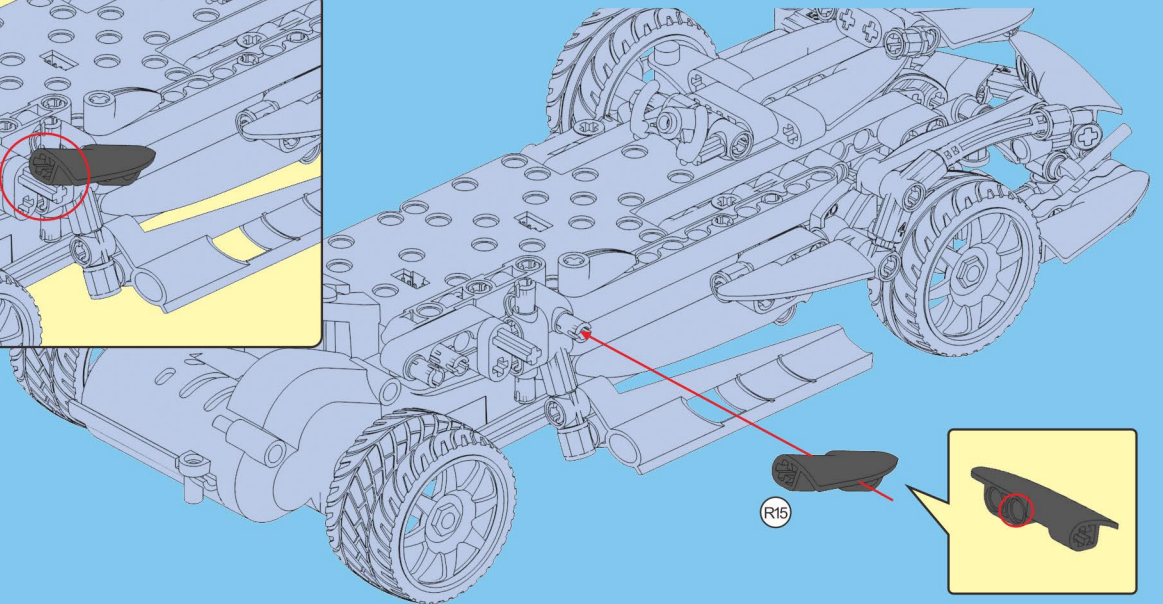
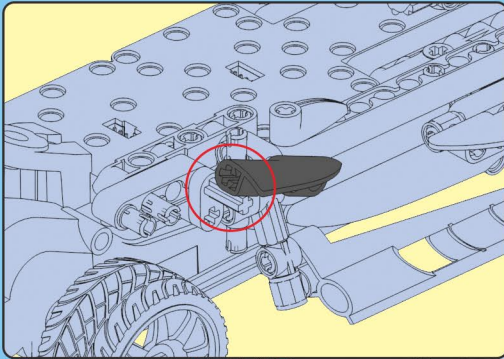
2

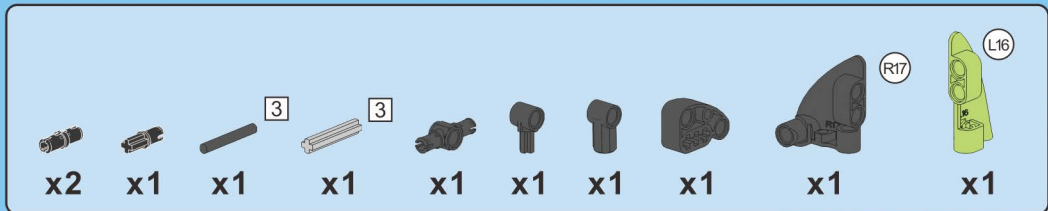
3

A30

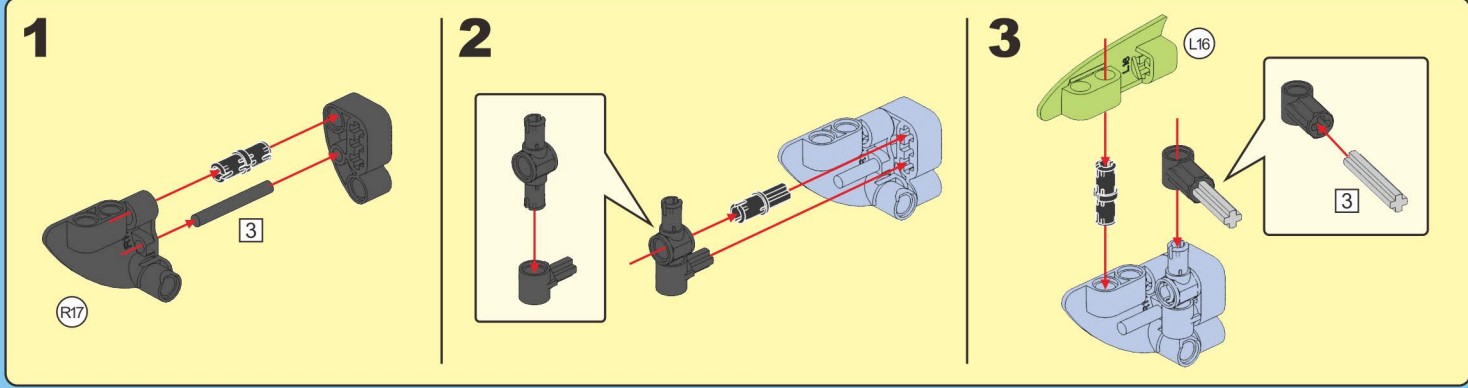
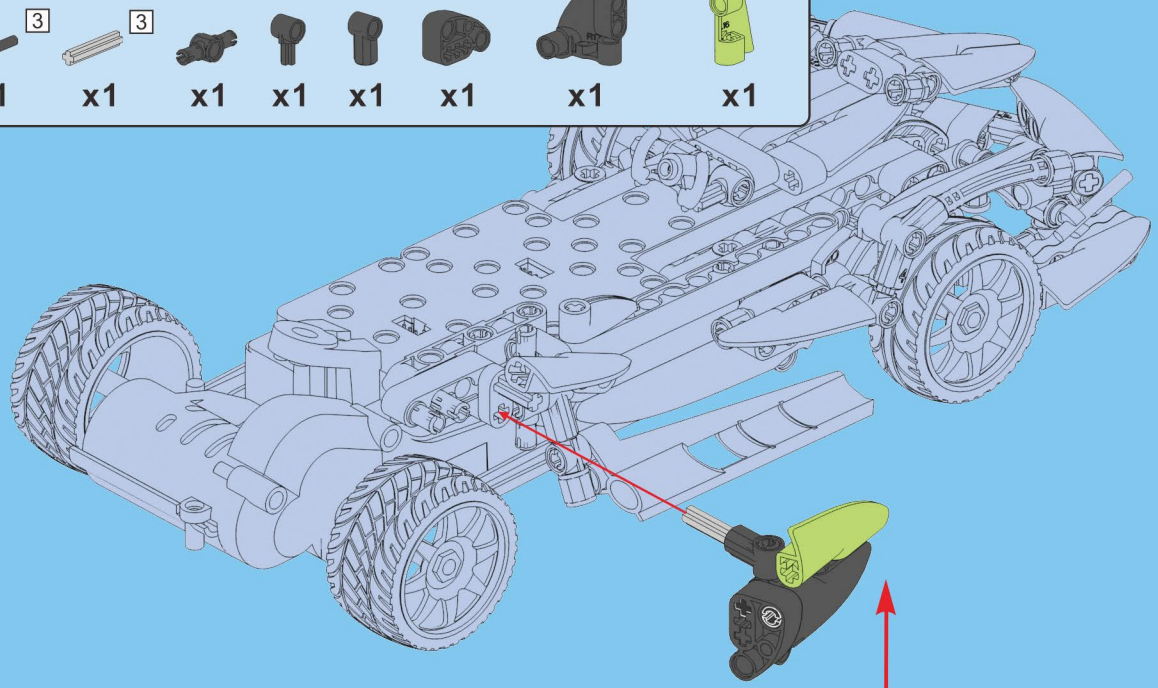


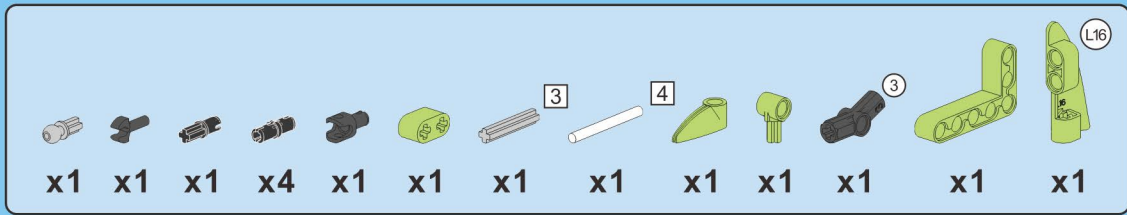
A31



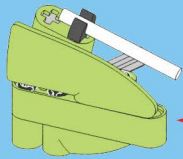


A32





A33



1

2

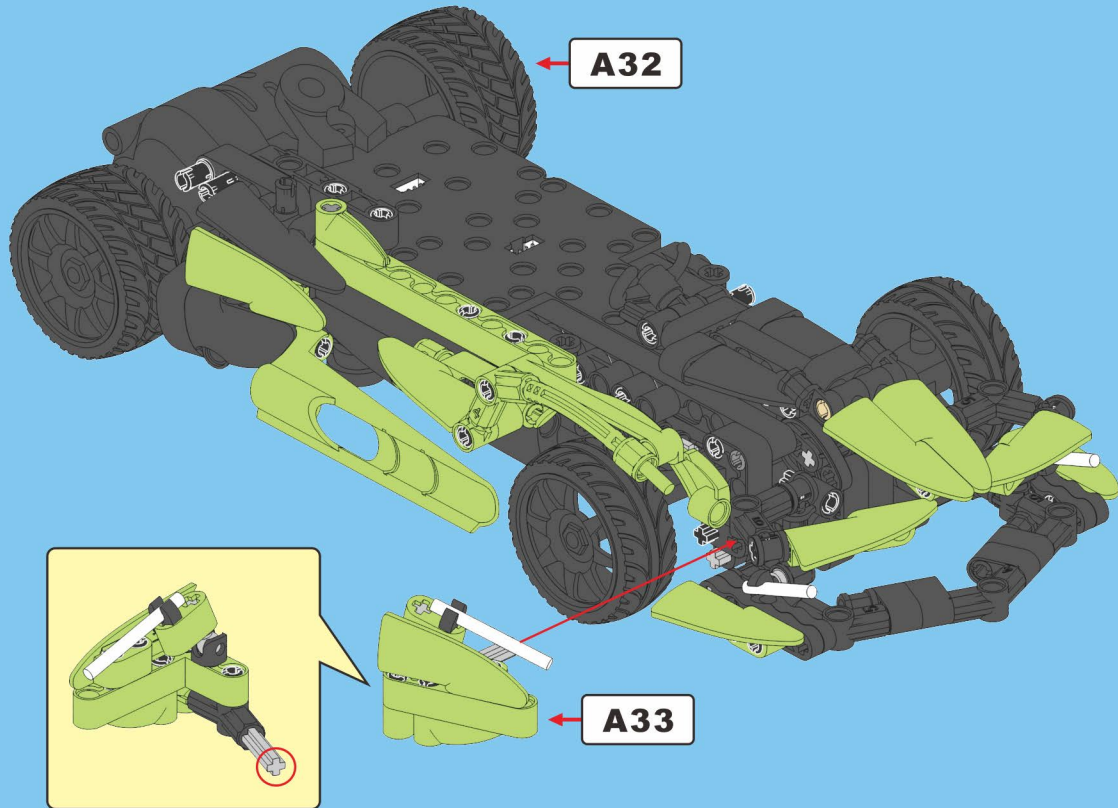
3

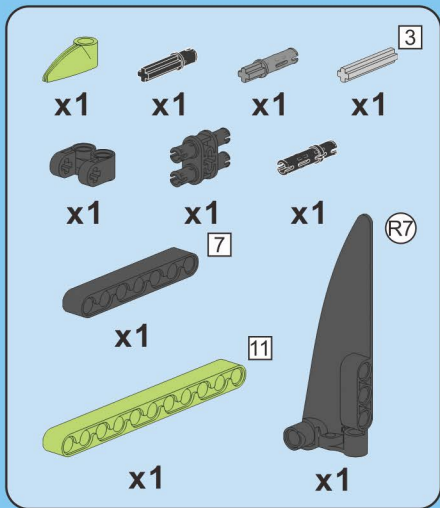
4

5

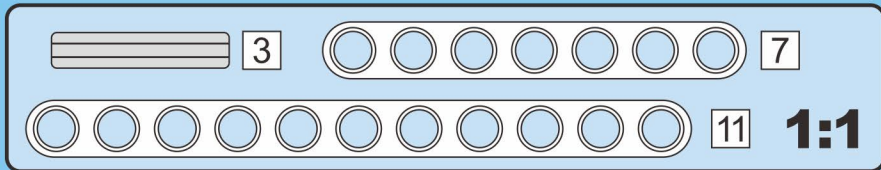
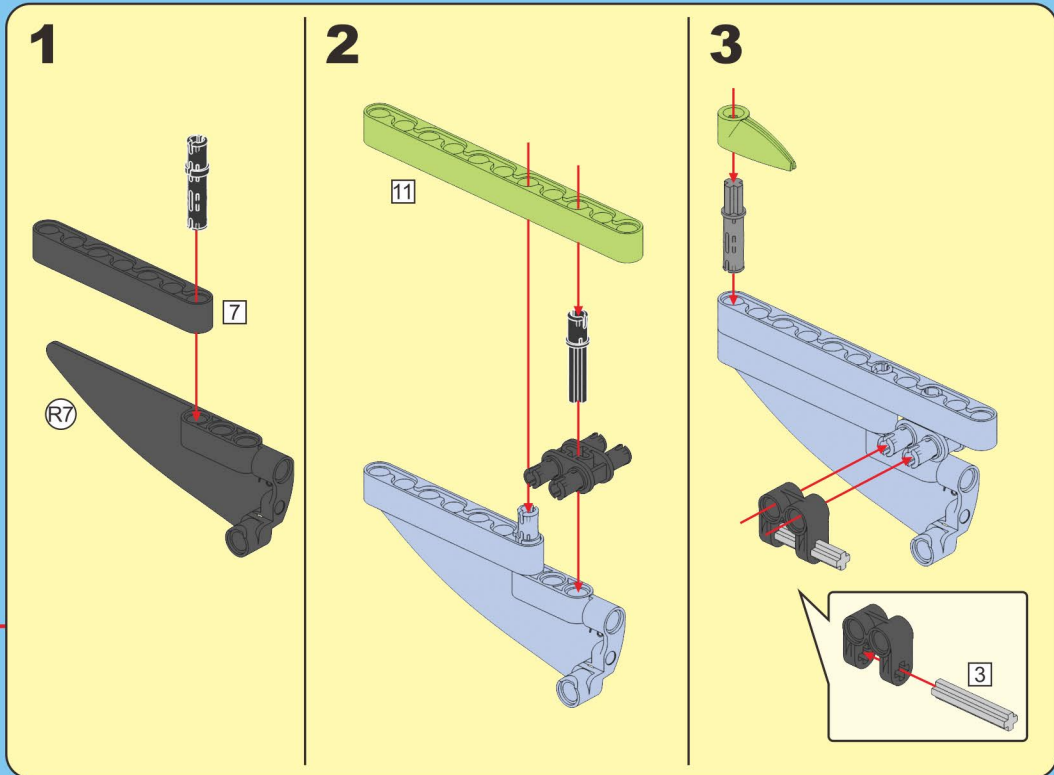
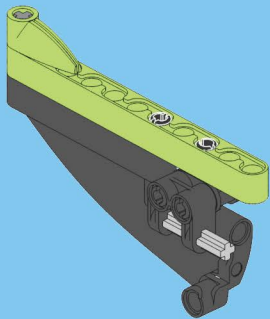


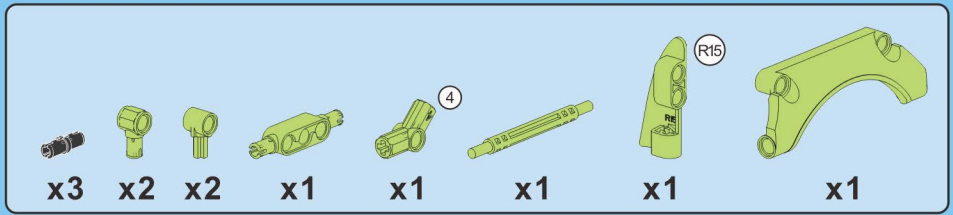
A34



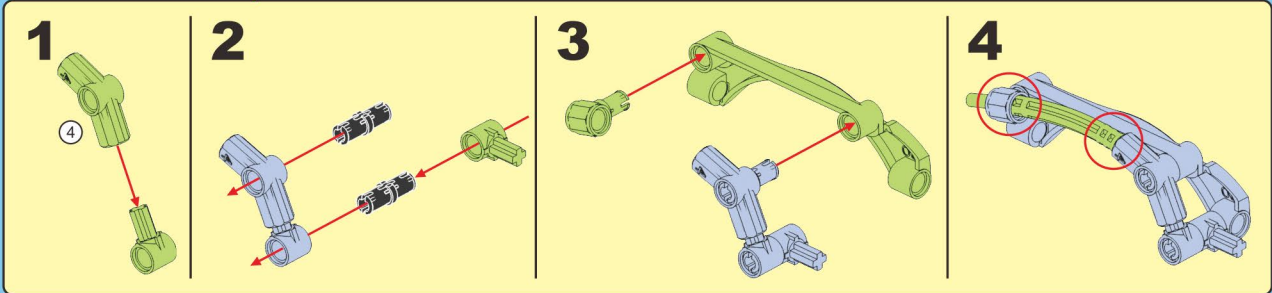
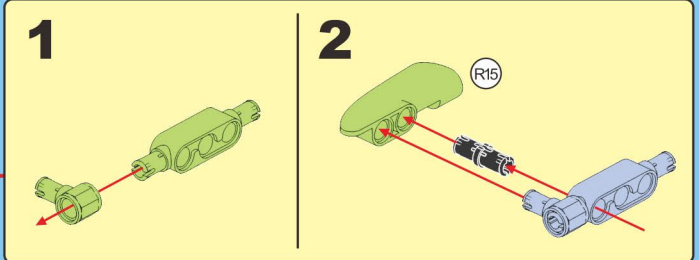
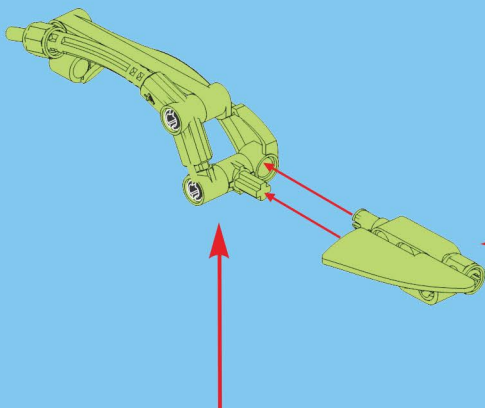


A35

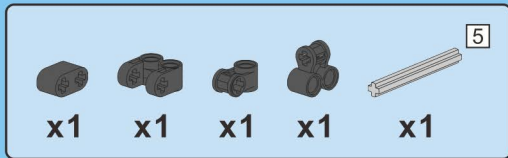
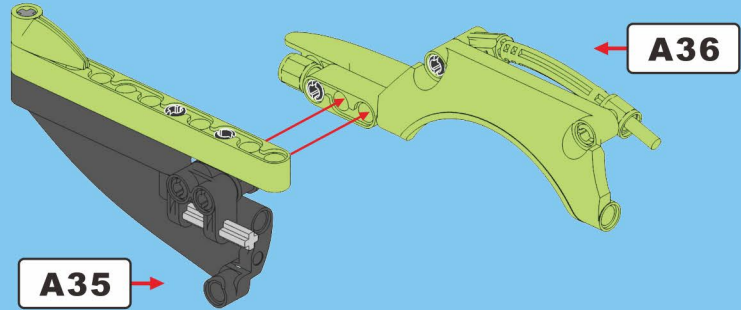
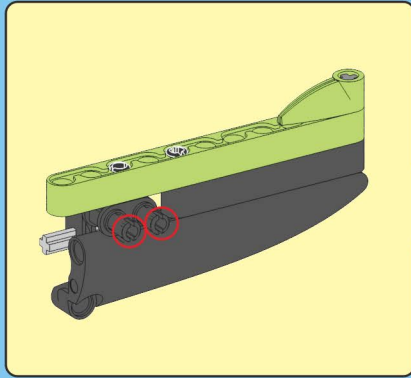




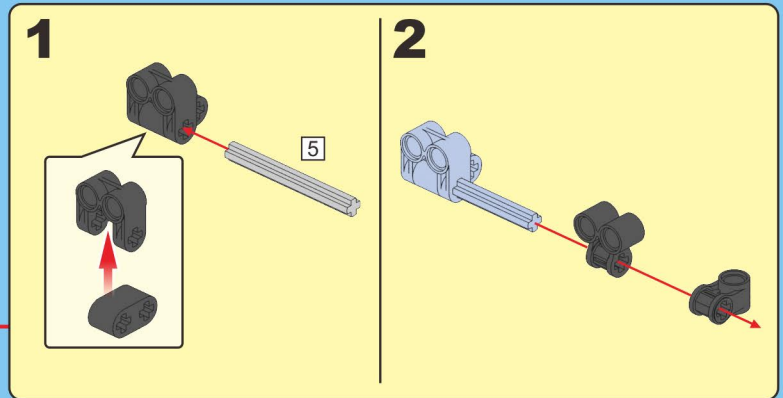
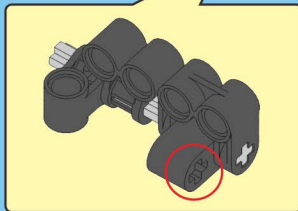
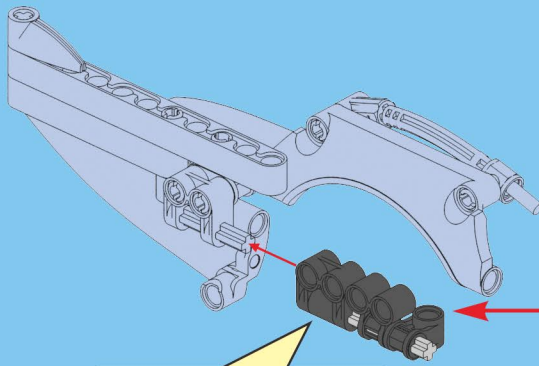
A36



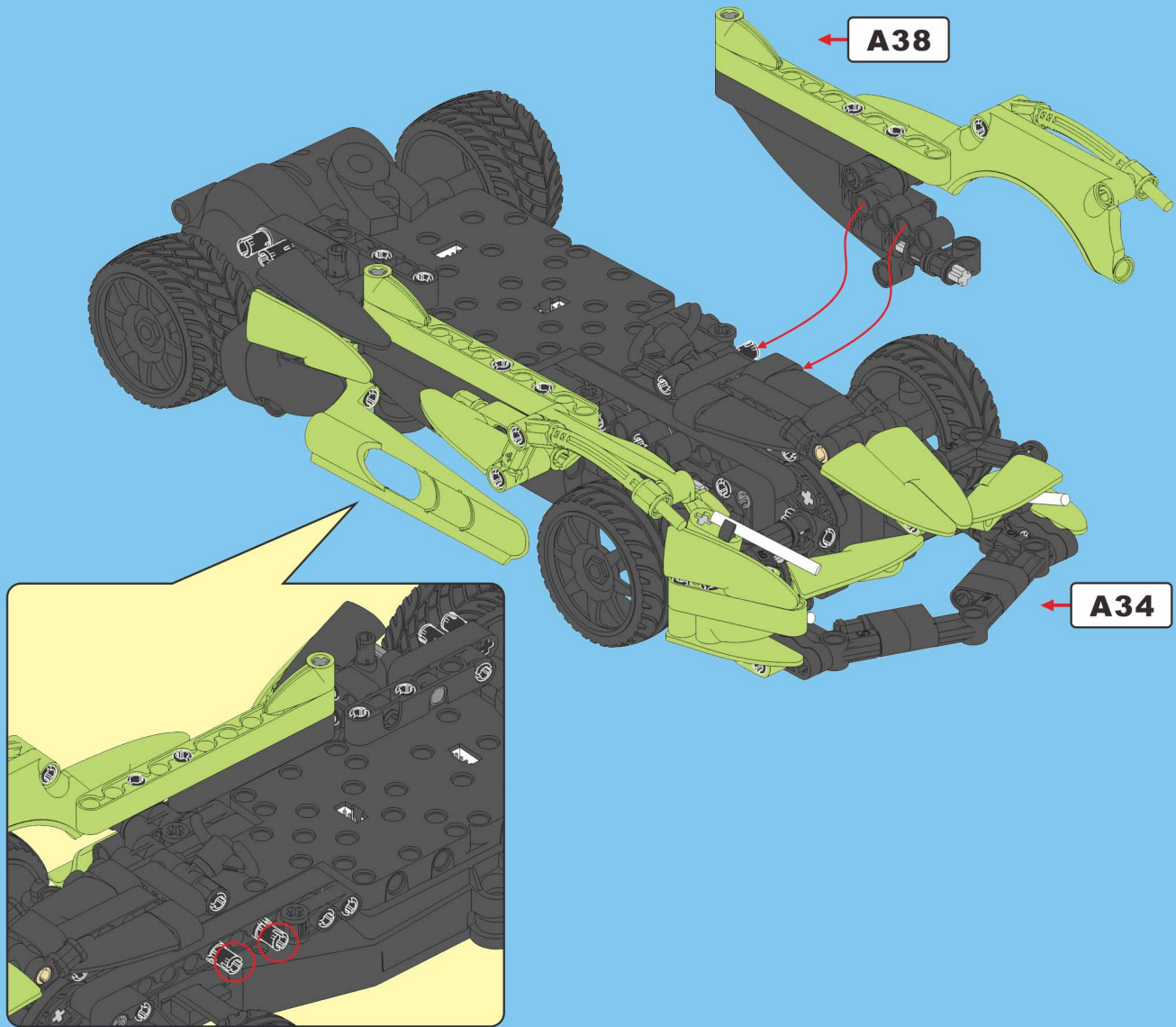
A37

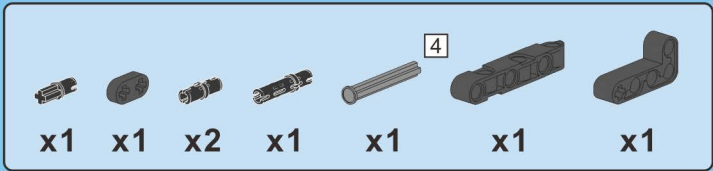


A38

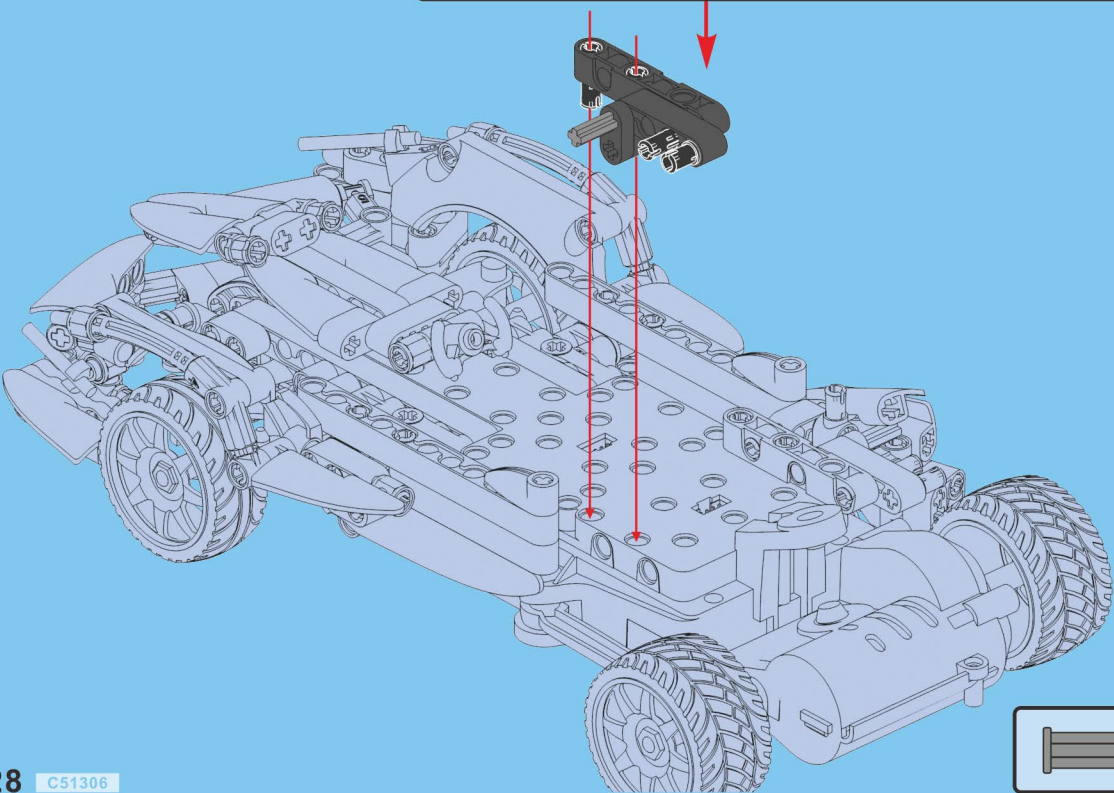
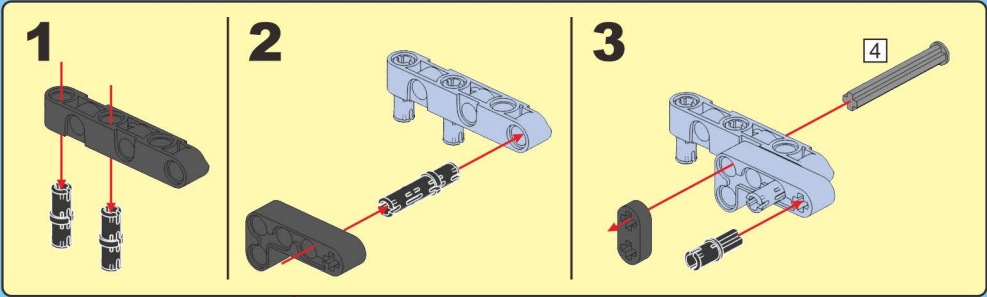


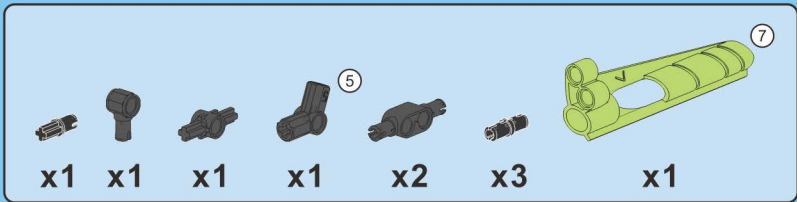
A39



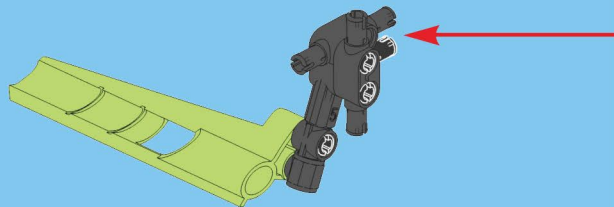


A40





A41

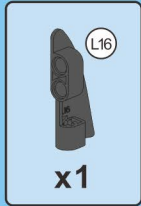
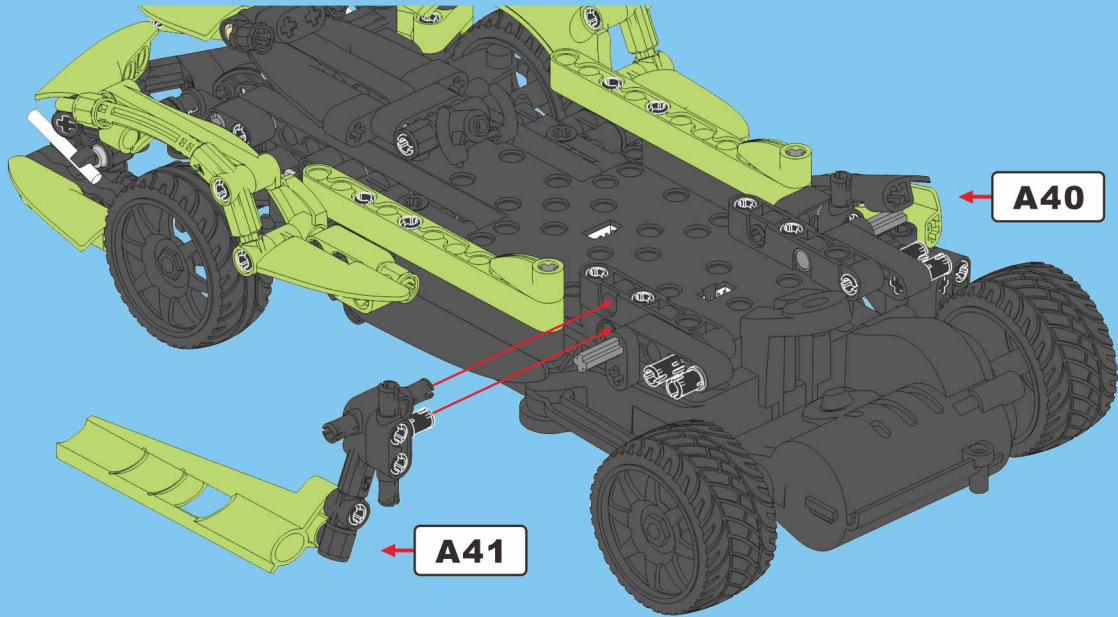


1

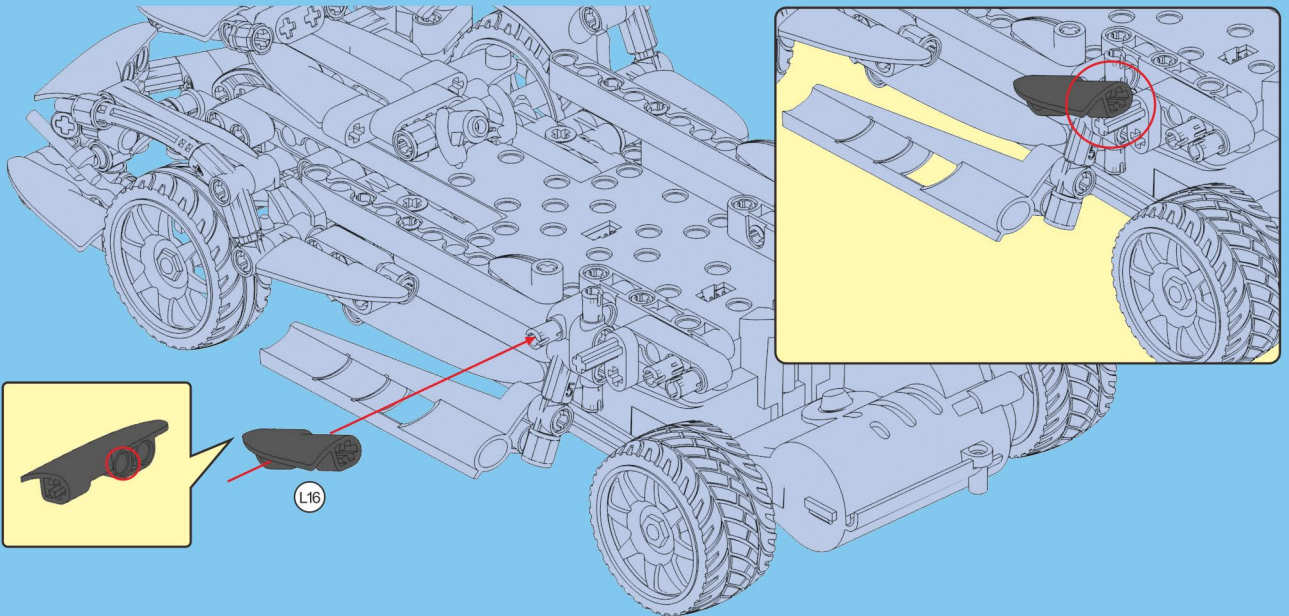
2

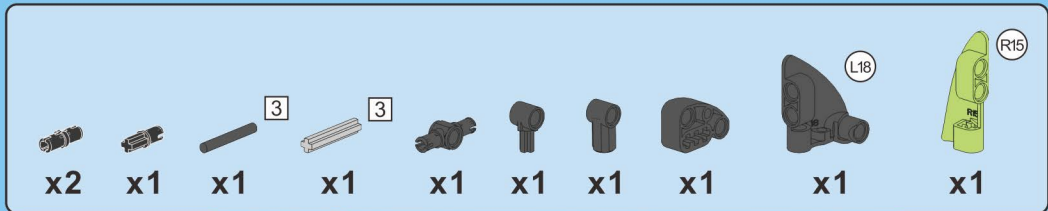
3

A42

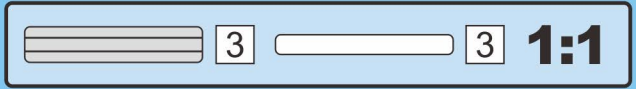
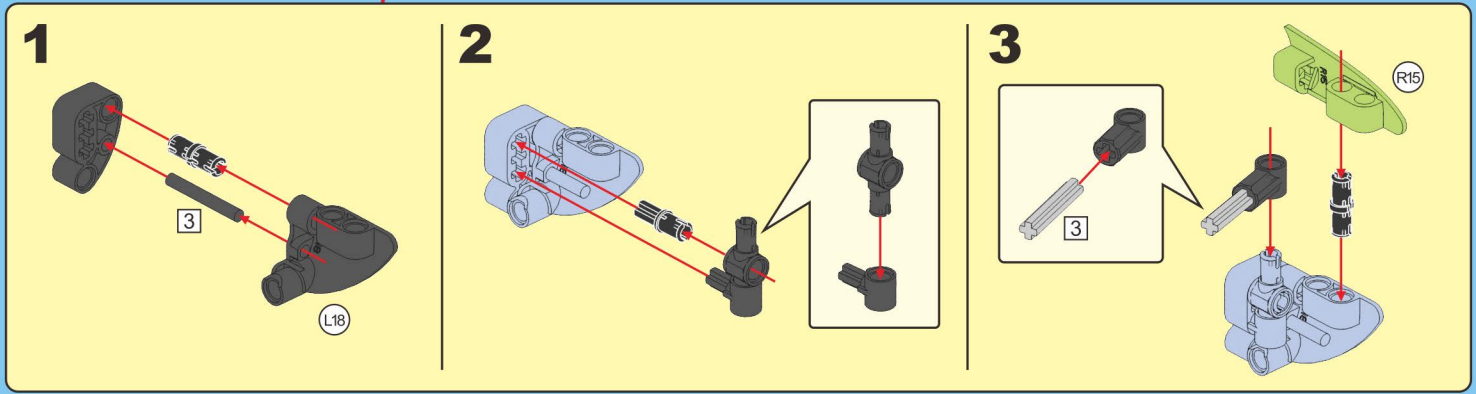
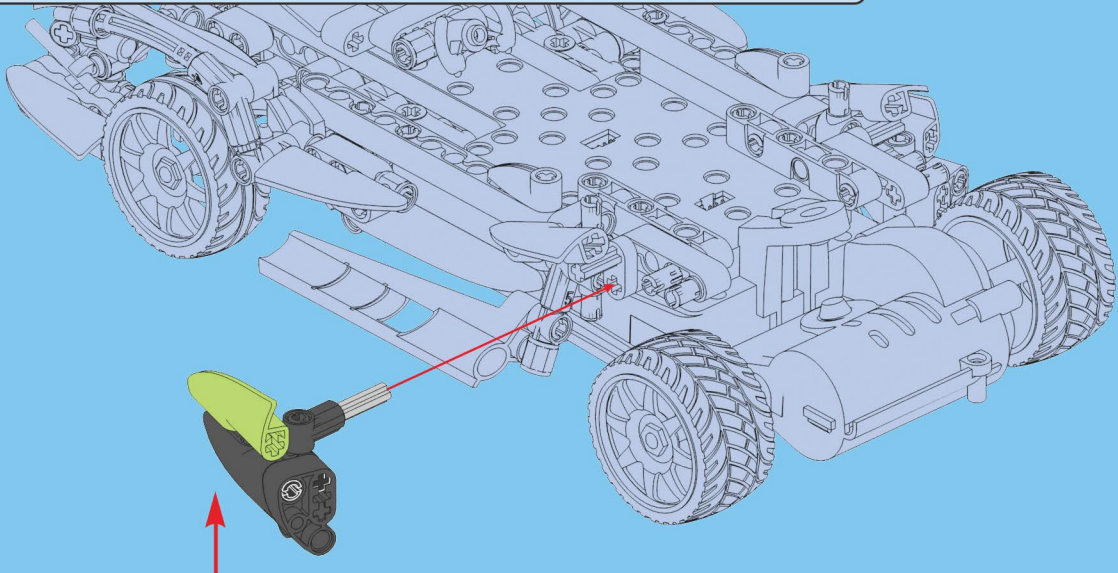


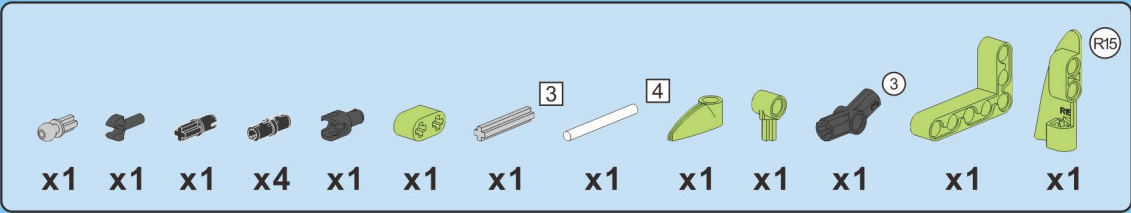
A43



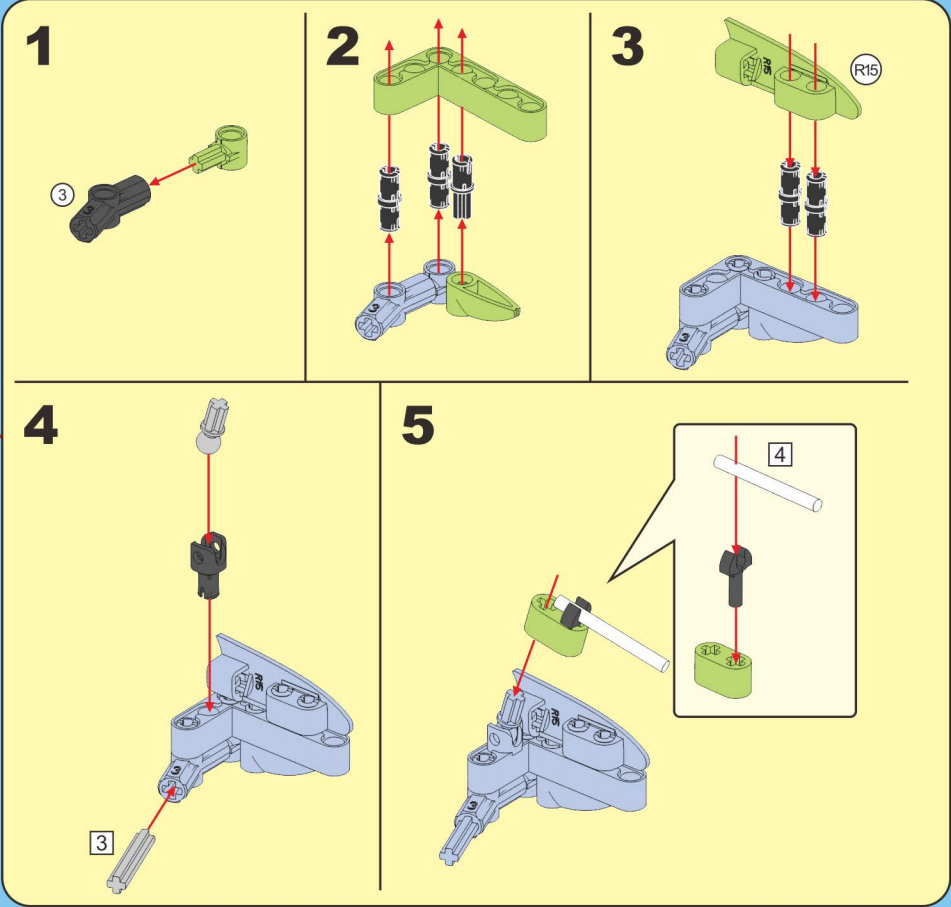
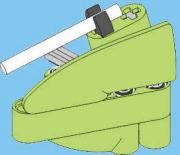


A44

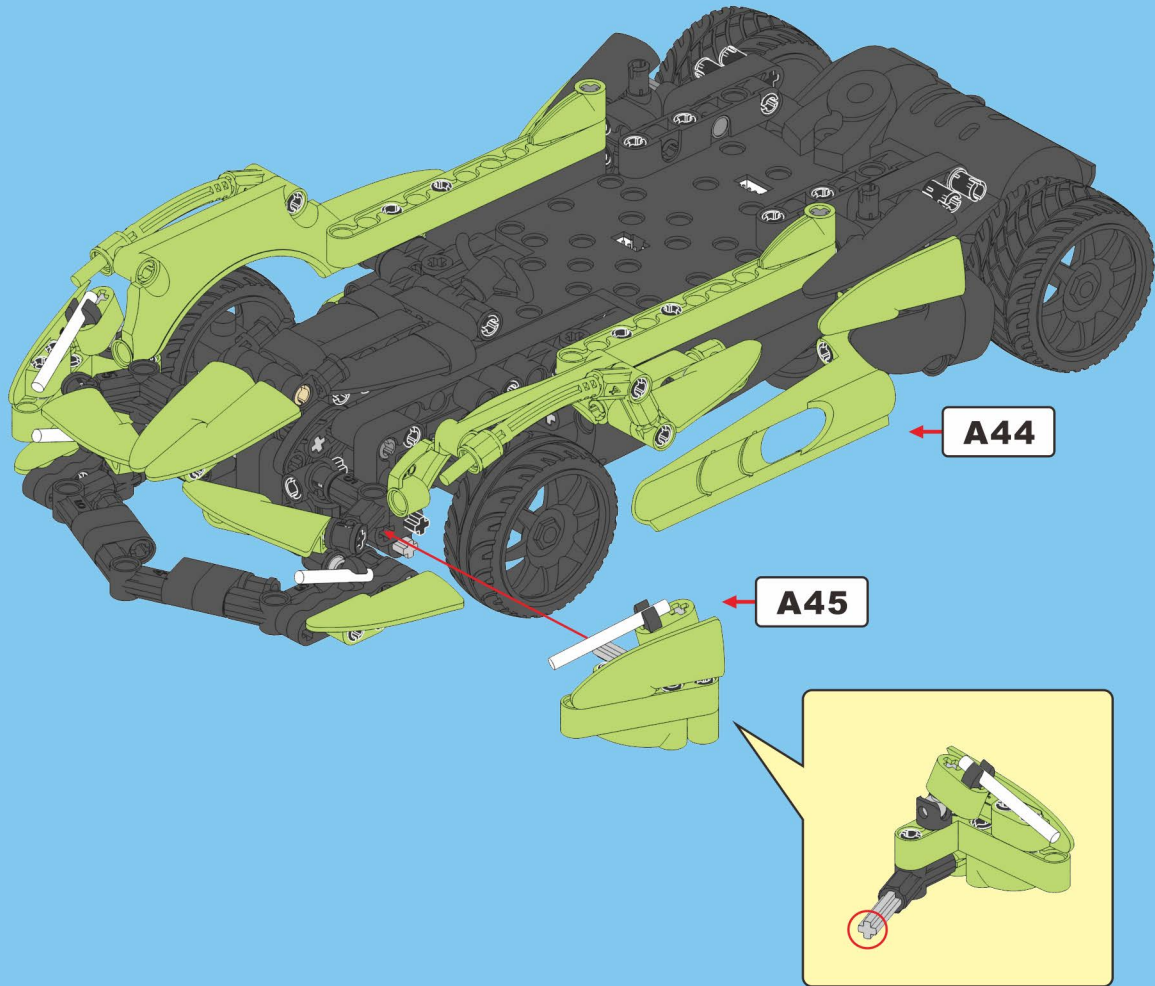


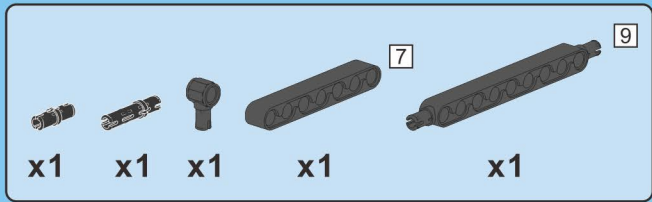


A45

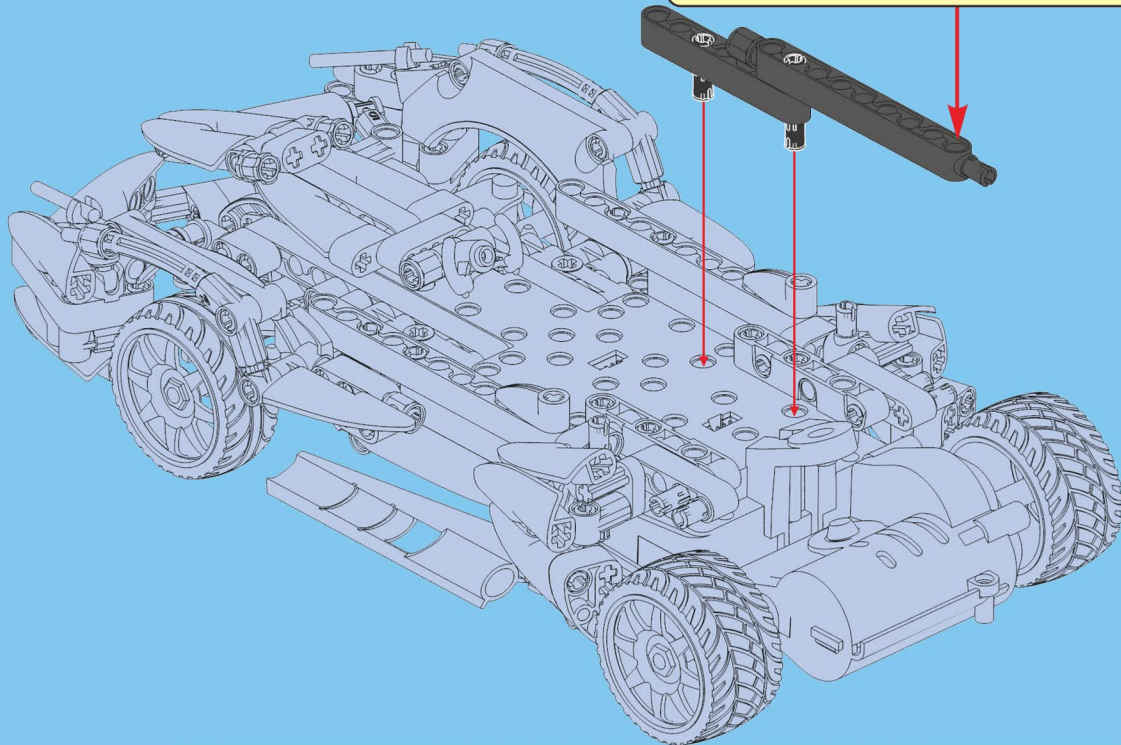
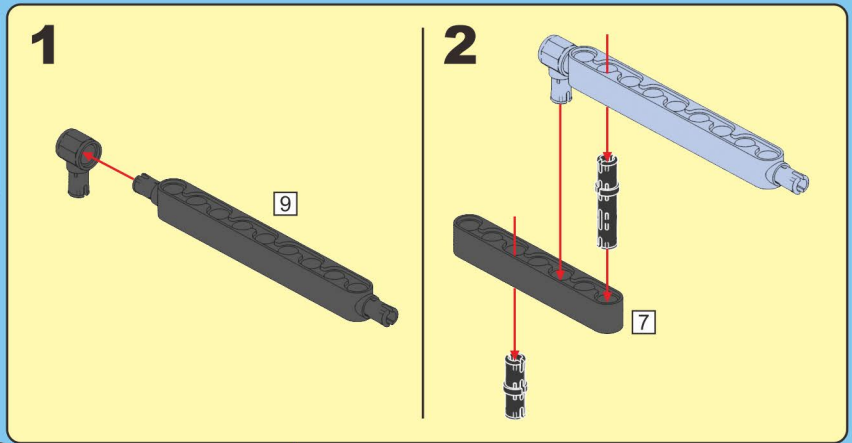


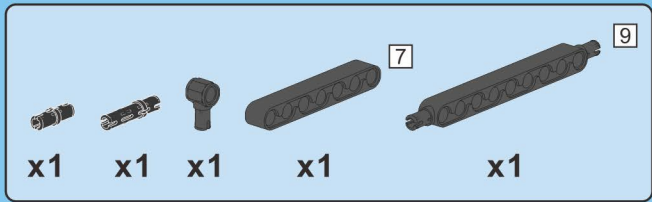
A46



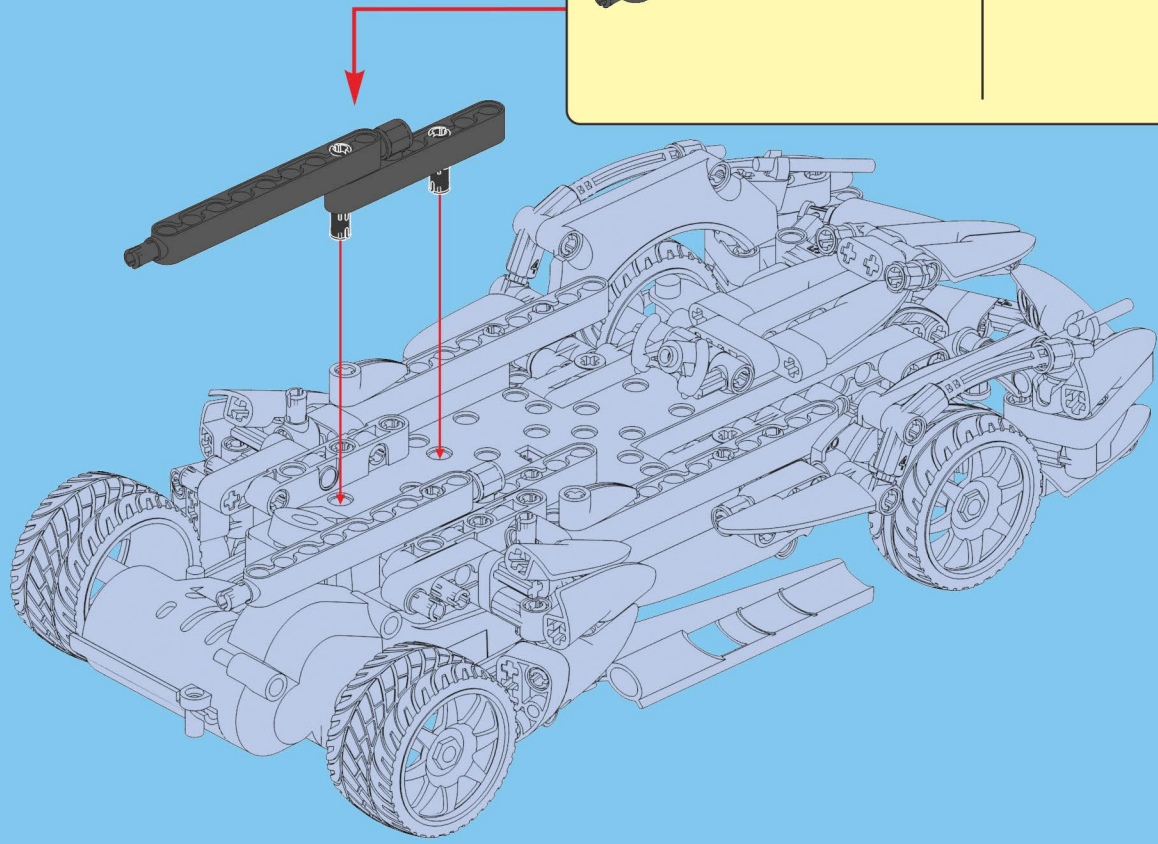
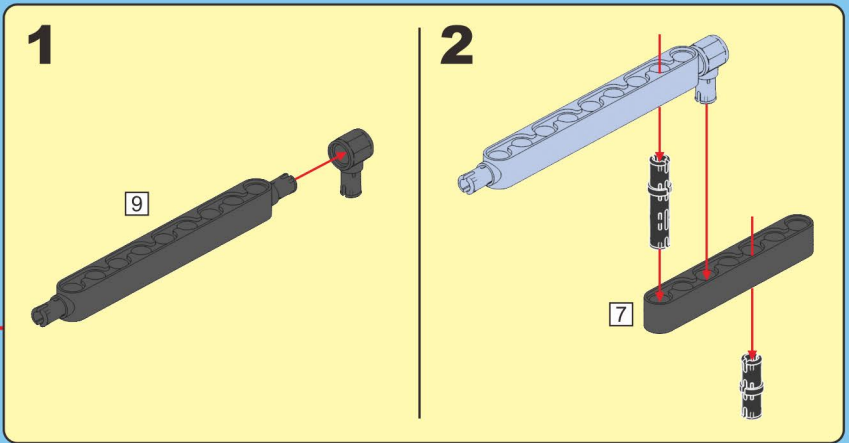


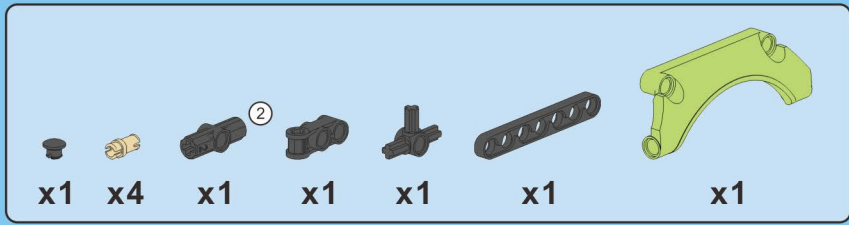
A47



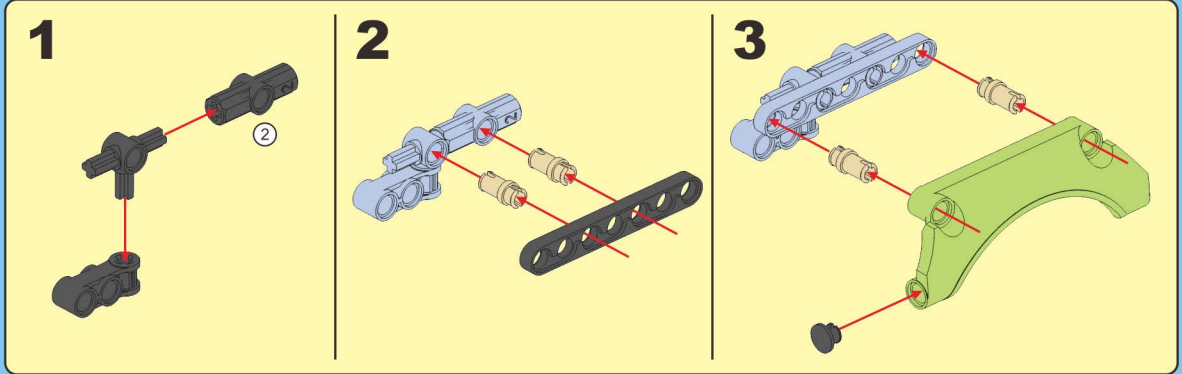
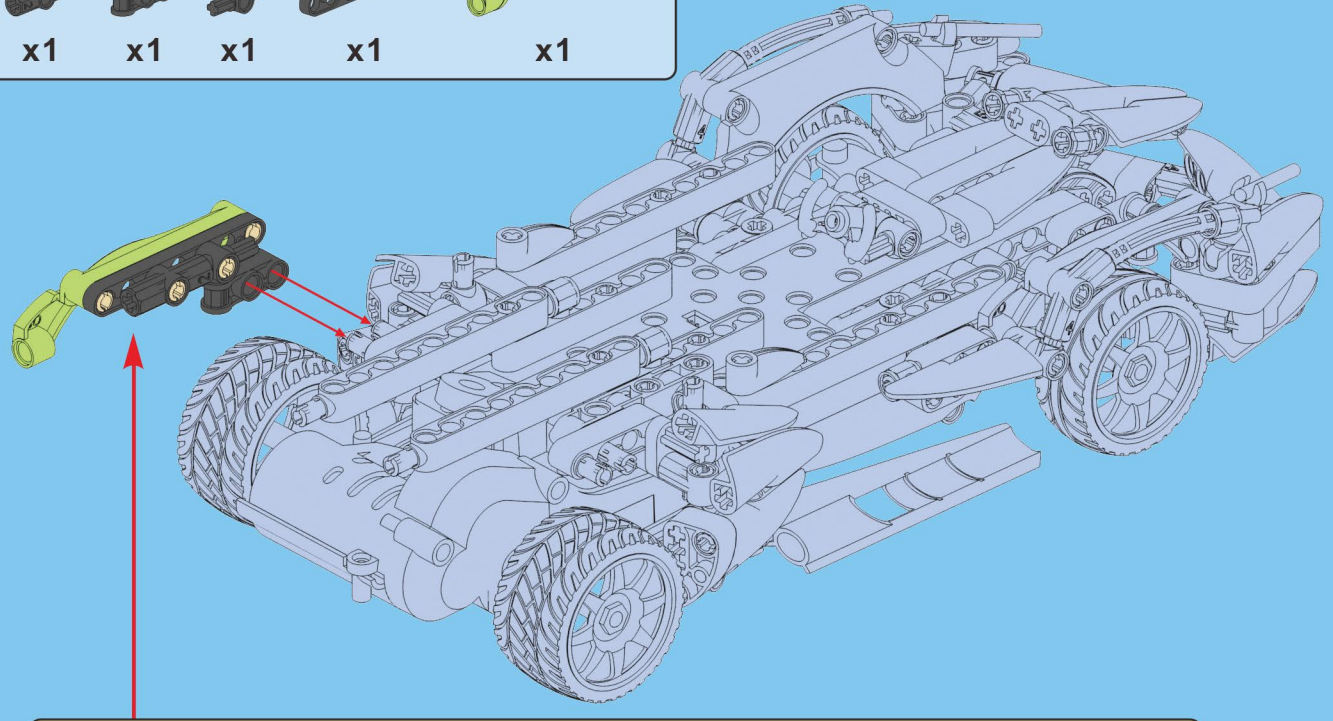


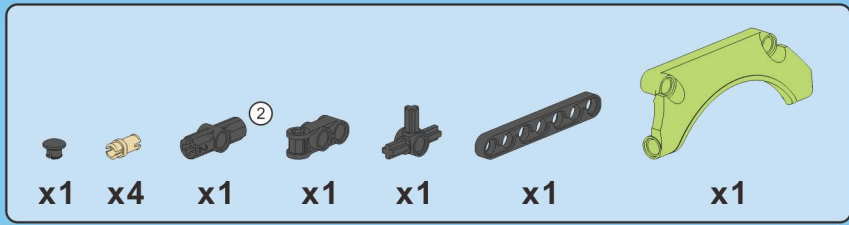
A48



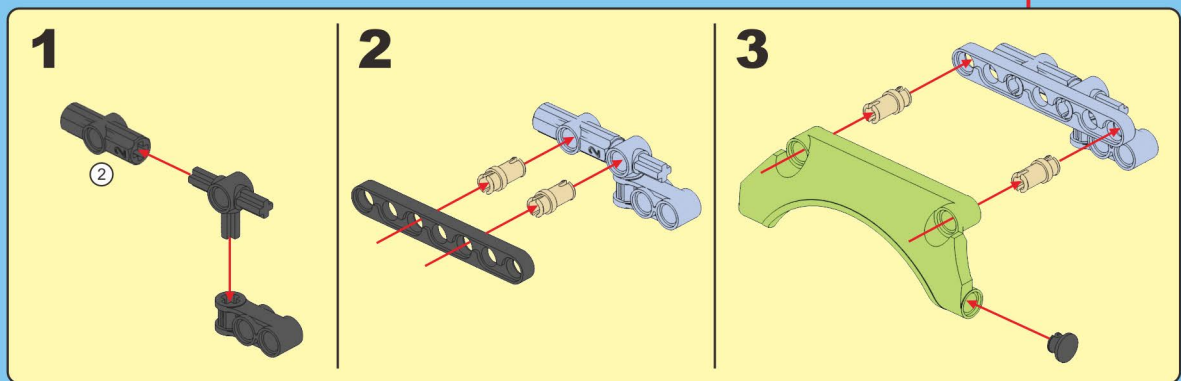
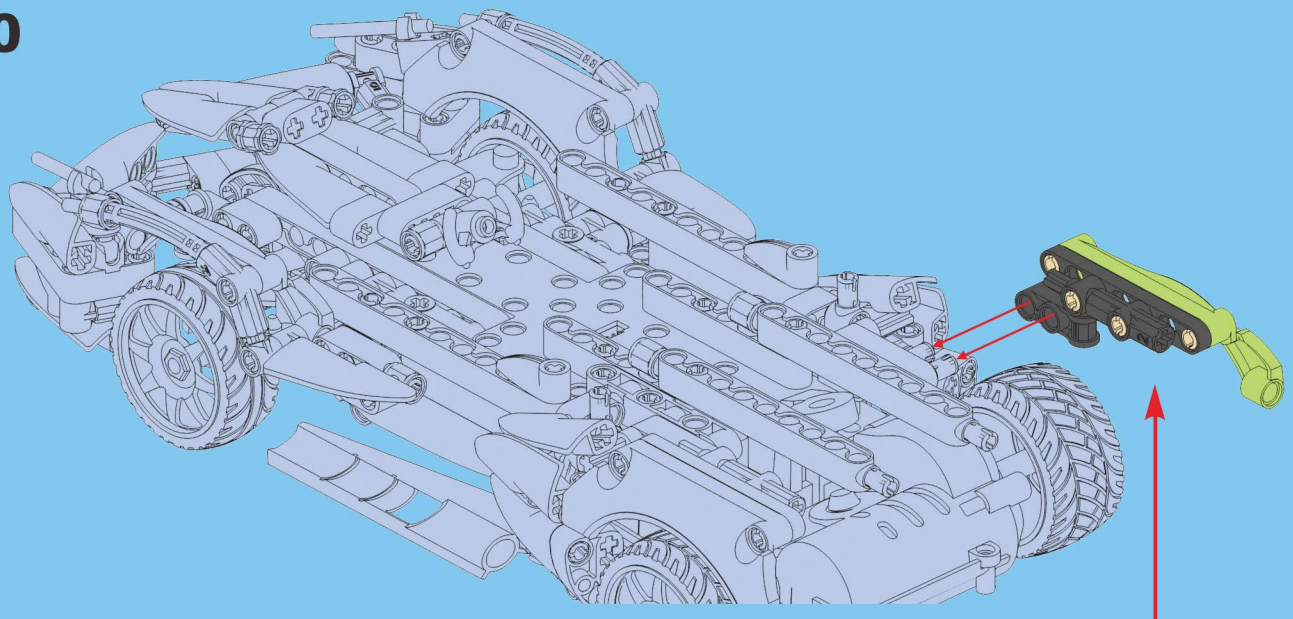


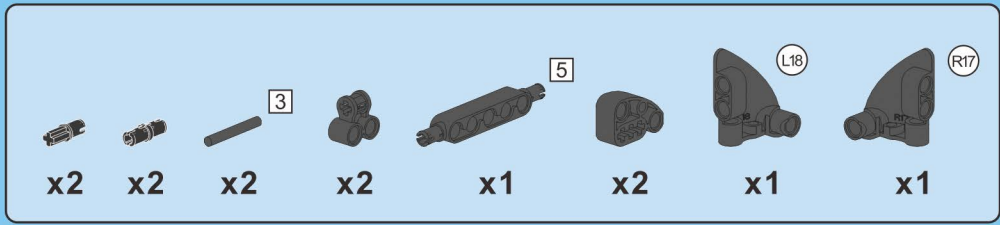
A49





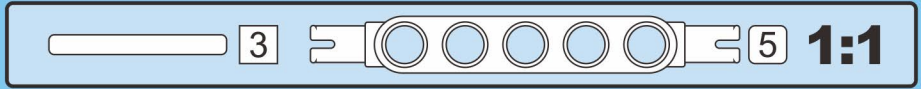
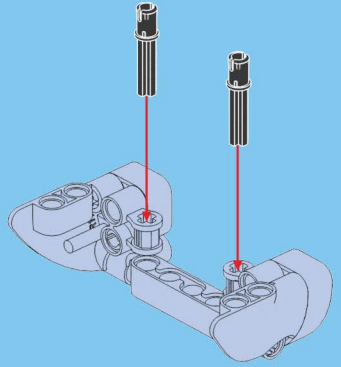
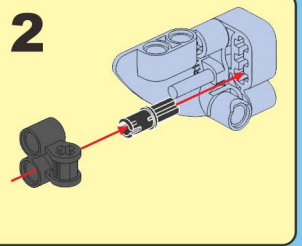
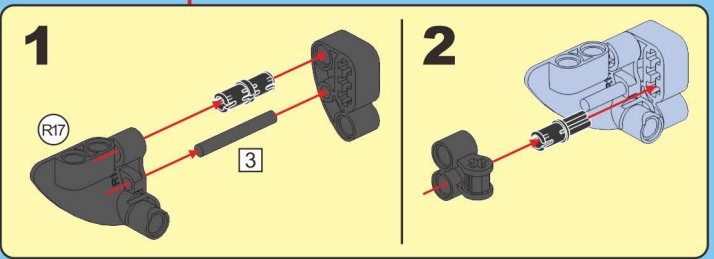
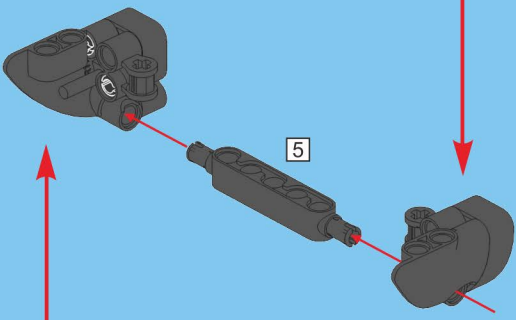
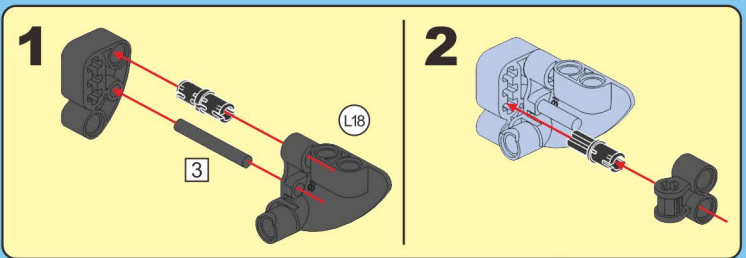
A50



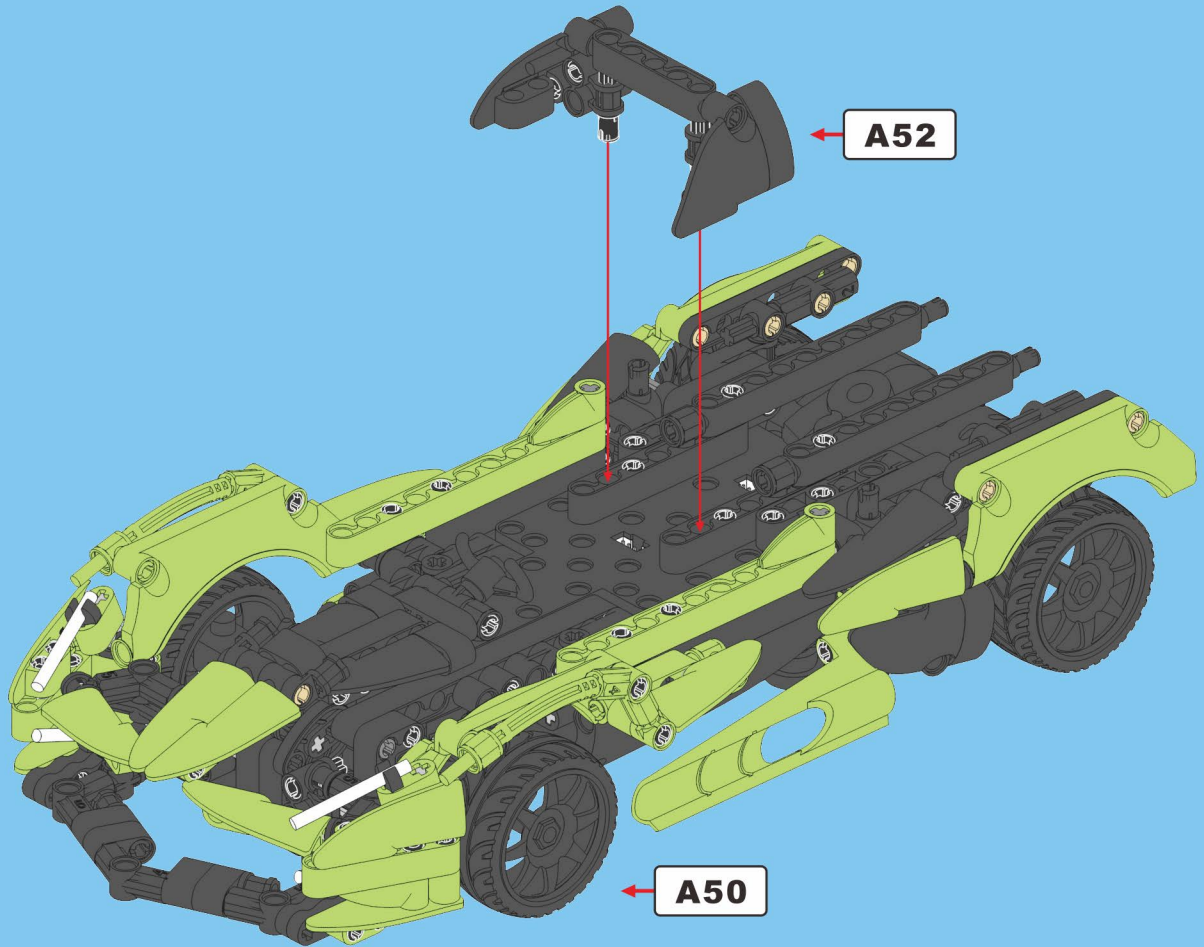


A52

A51

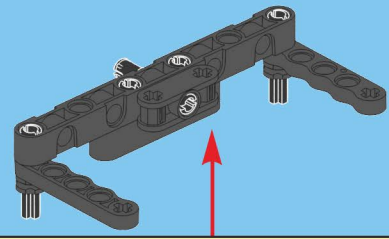
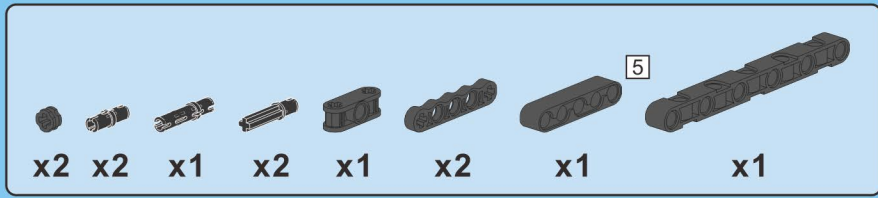


A53

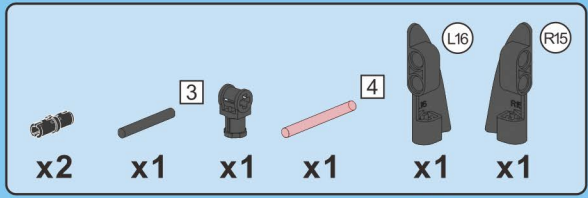
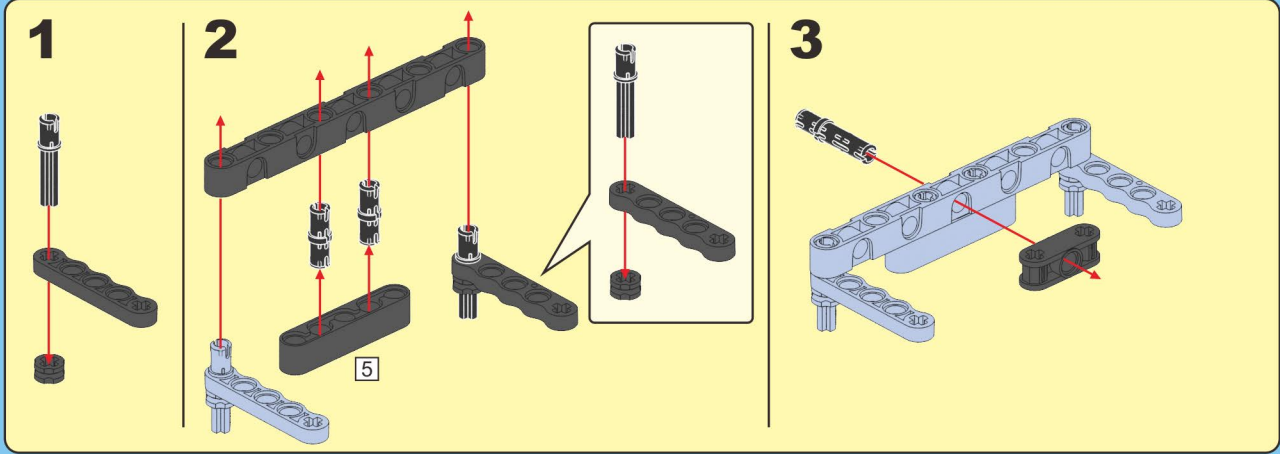


A52

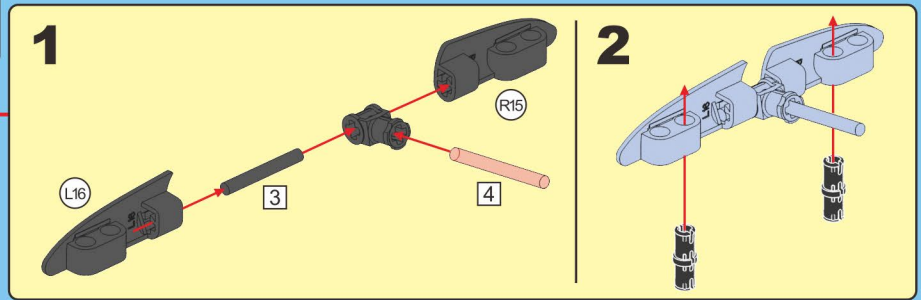
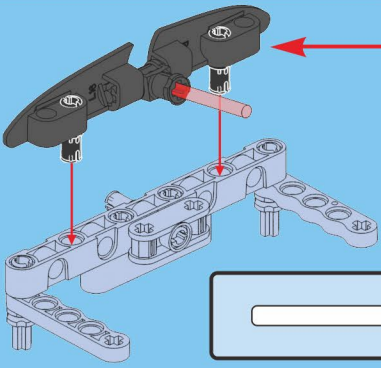
A50

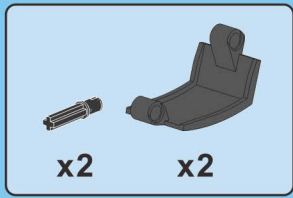


A54

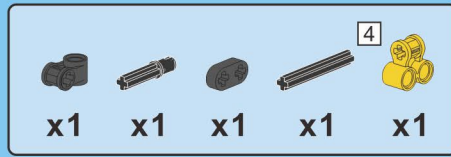
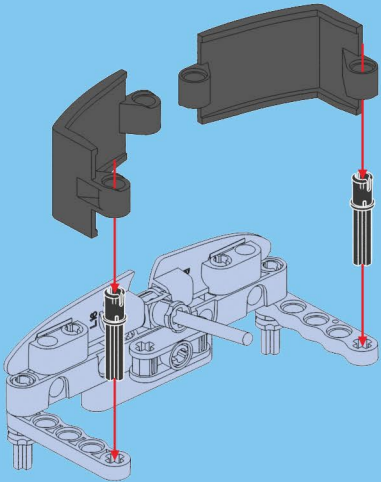


A55

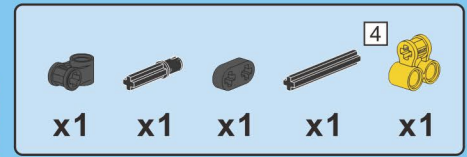
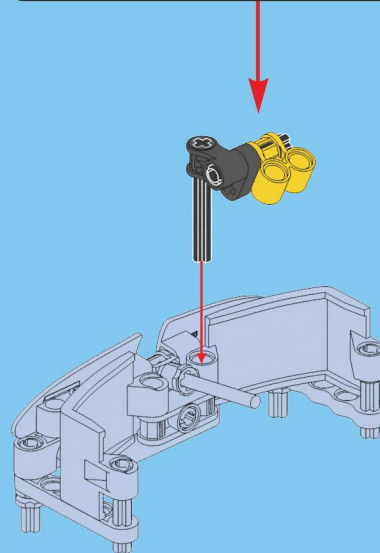
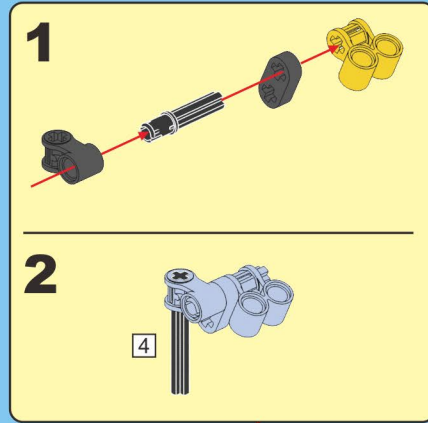




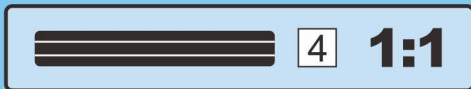
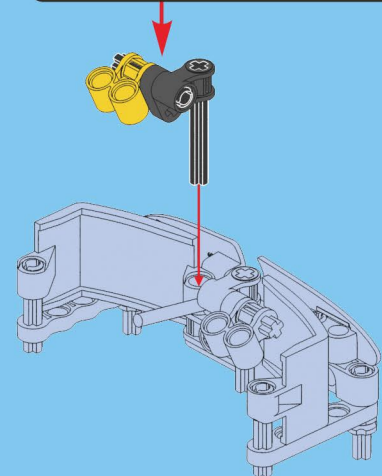
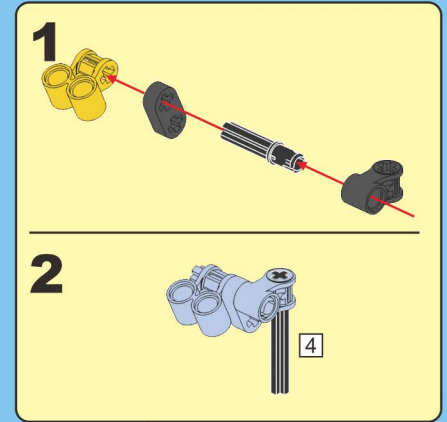
A56

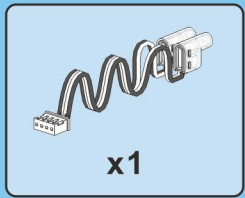


A57

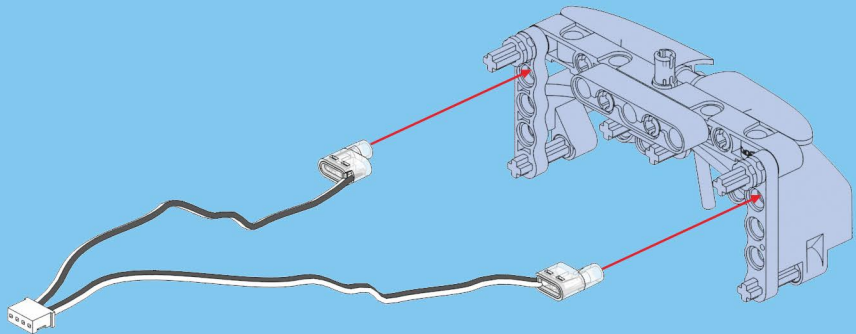


A58

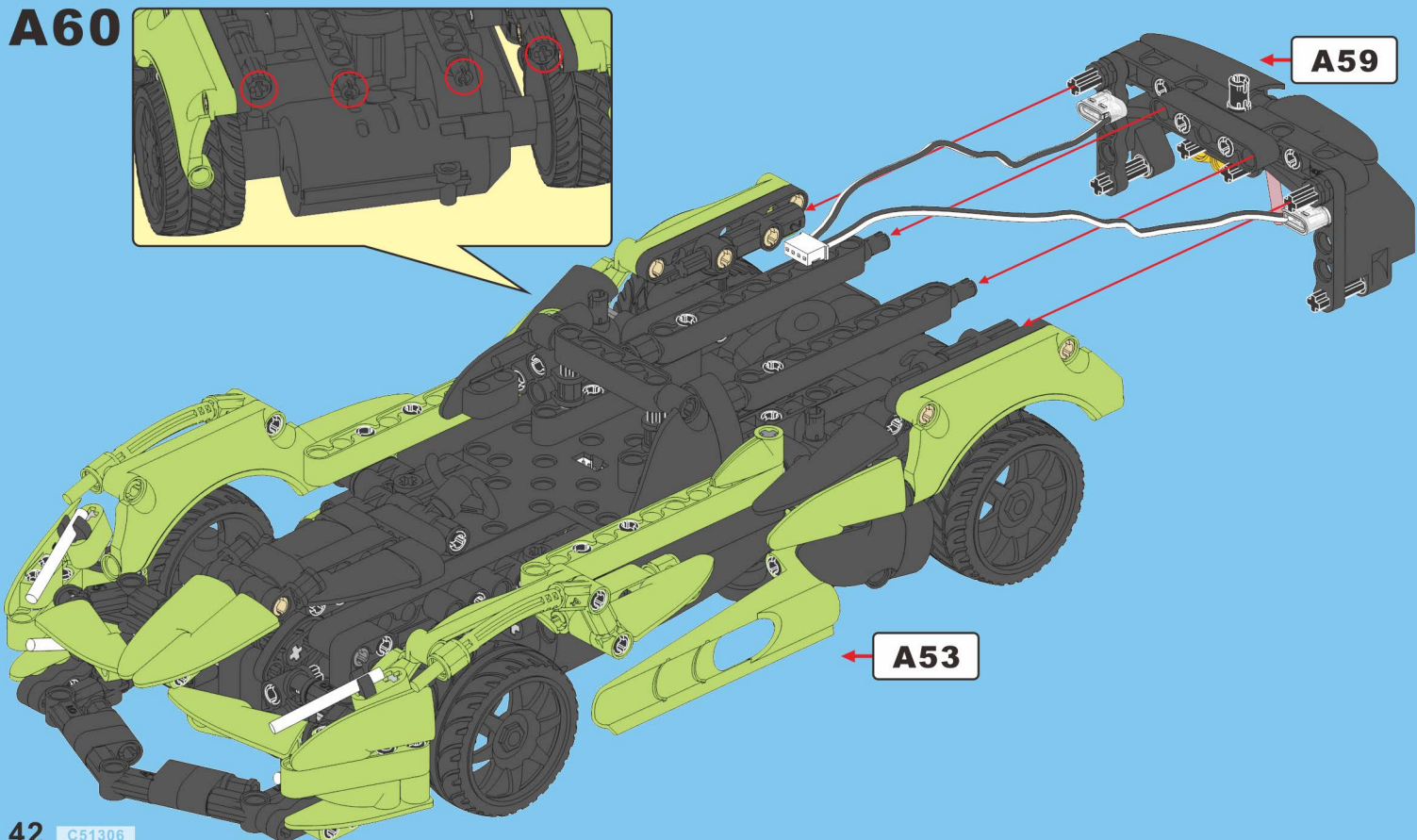
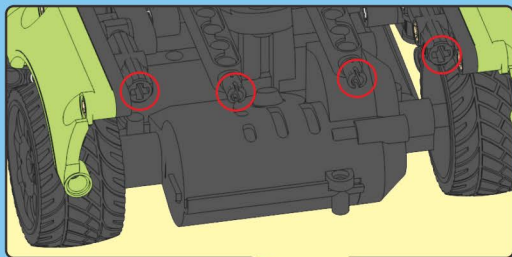




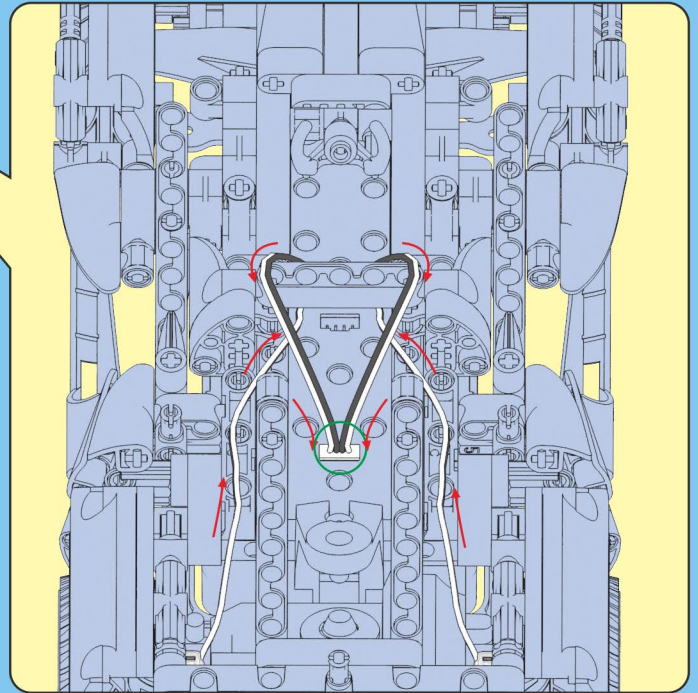
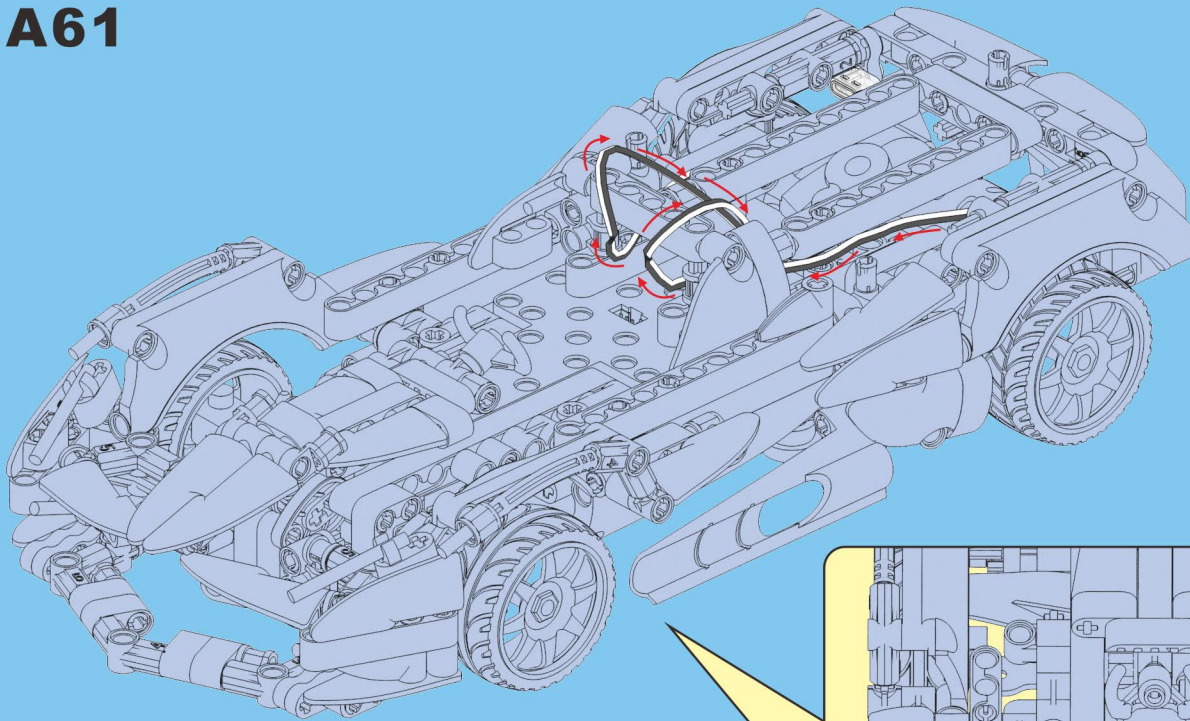
A59

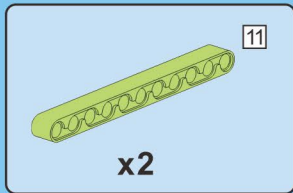


A60

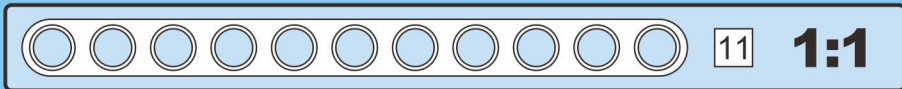
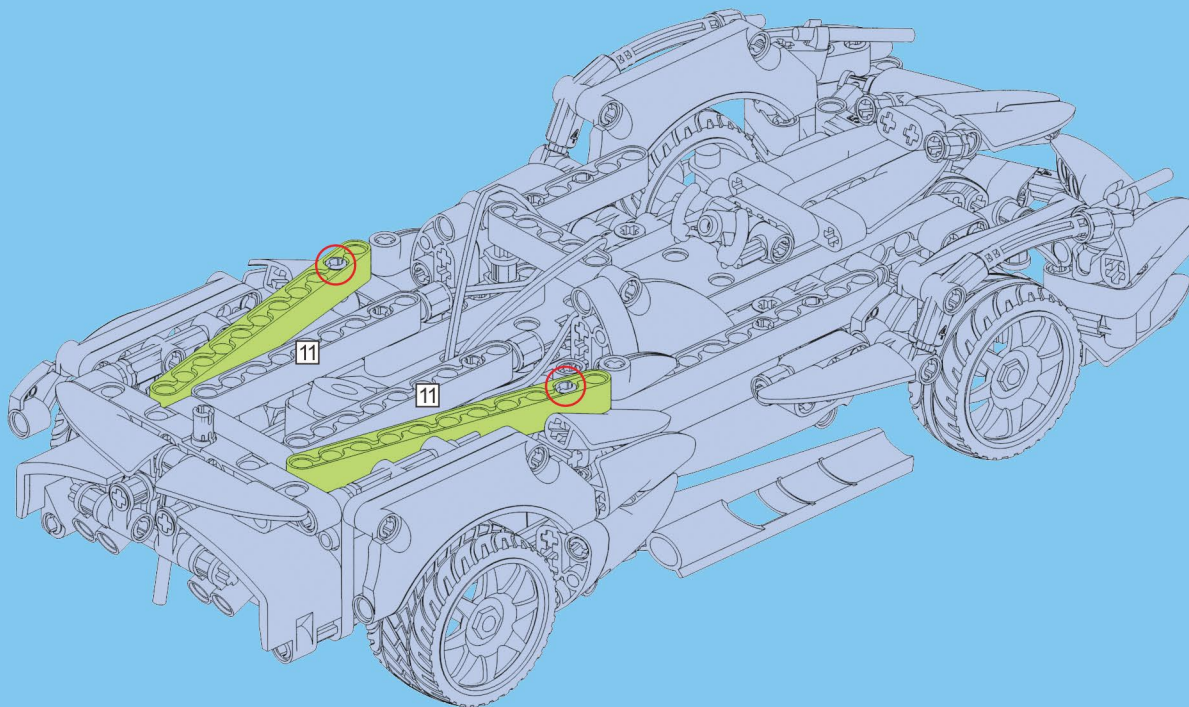


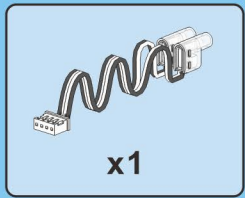
A61



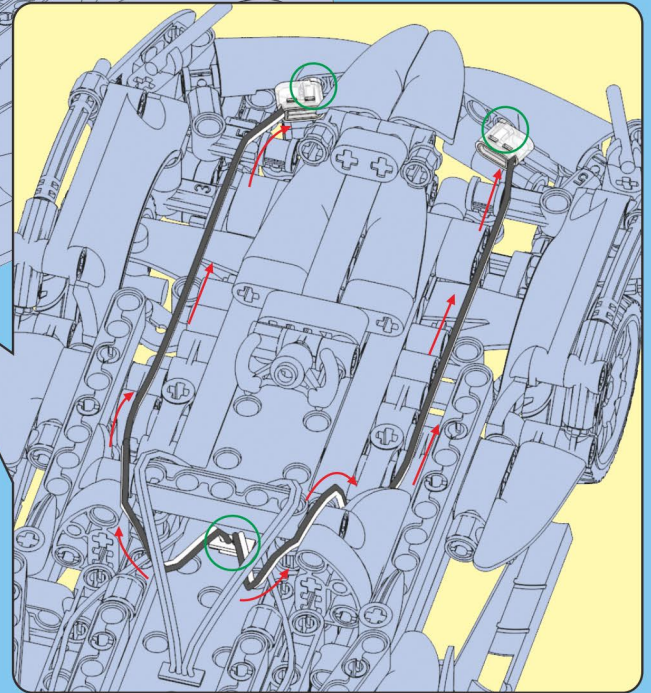
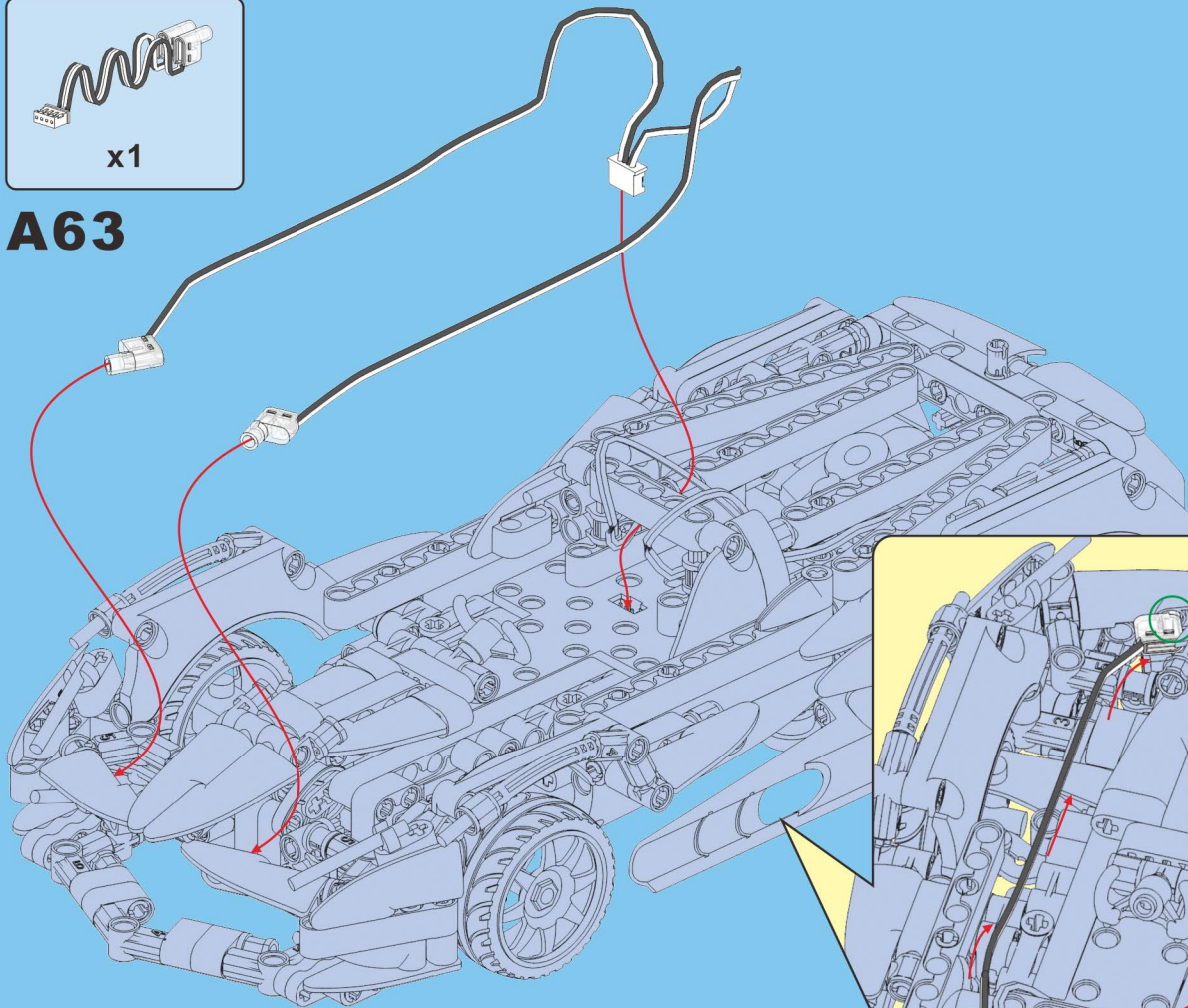


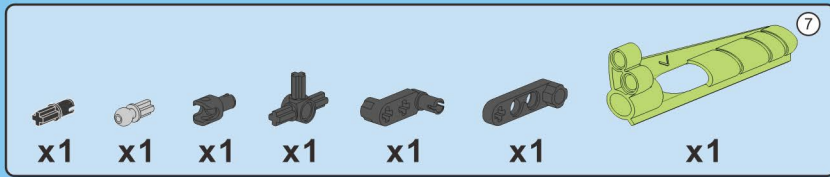
A62



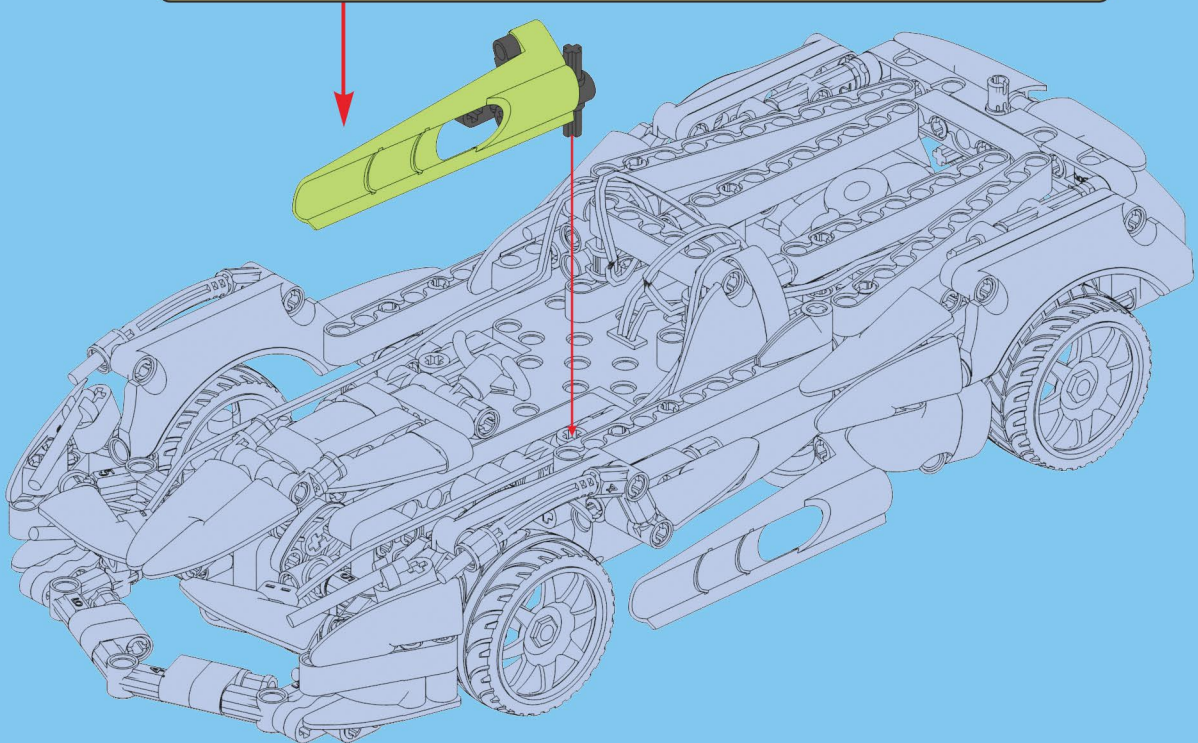
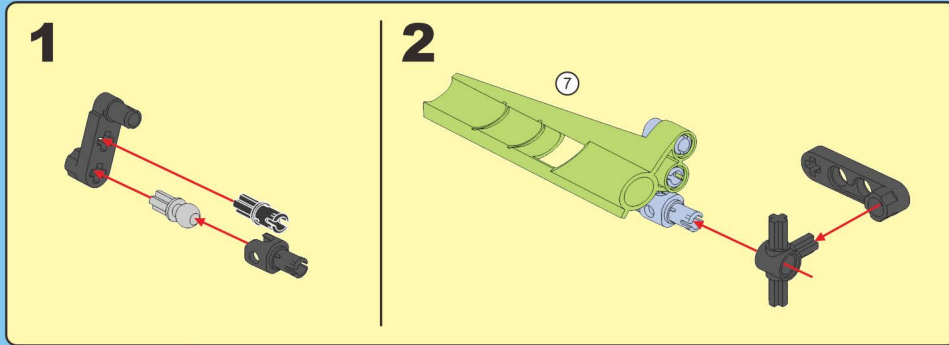


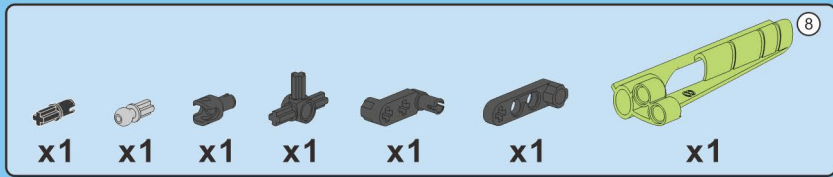
A63



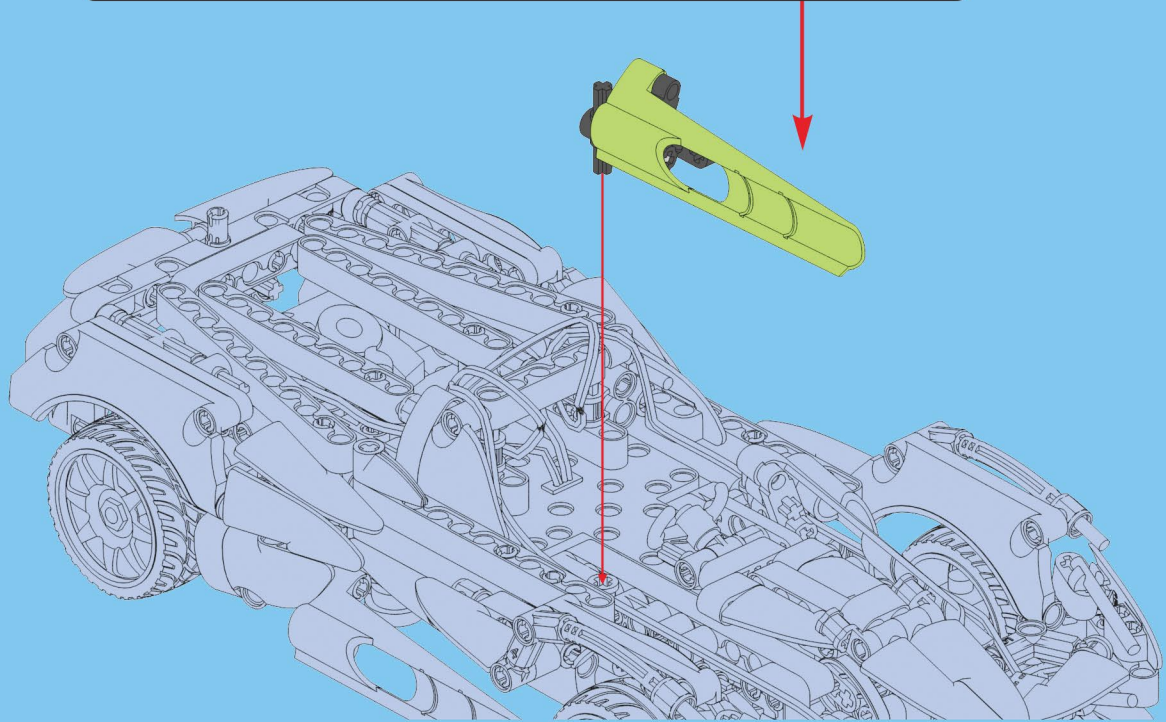
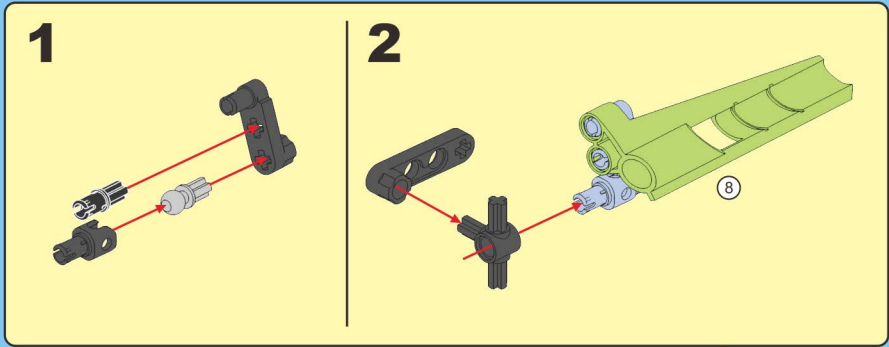


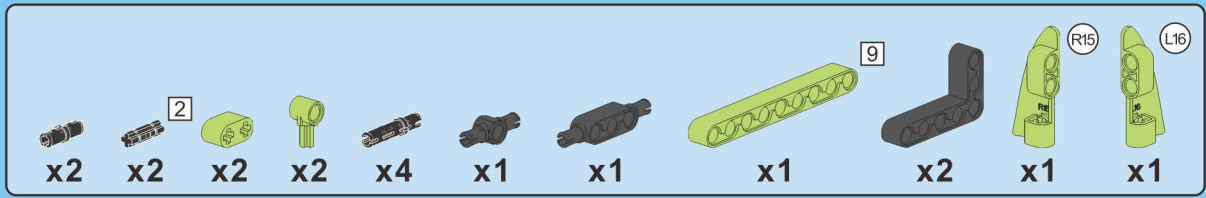
A64



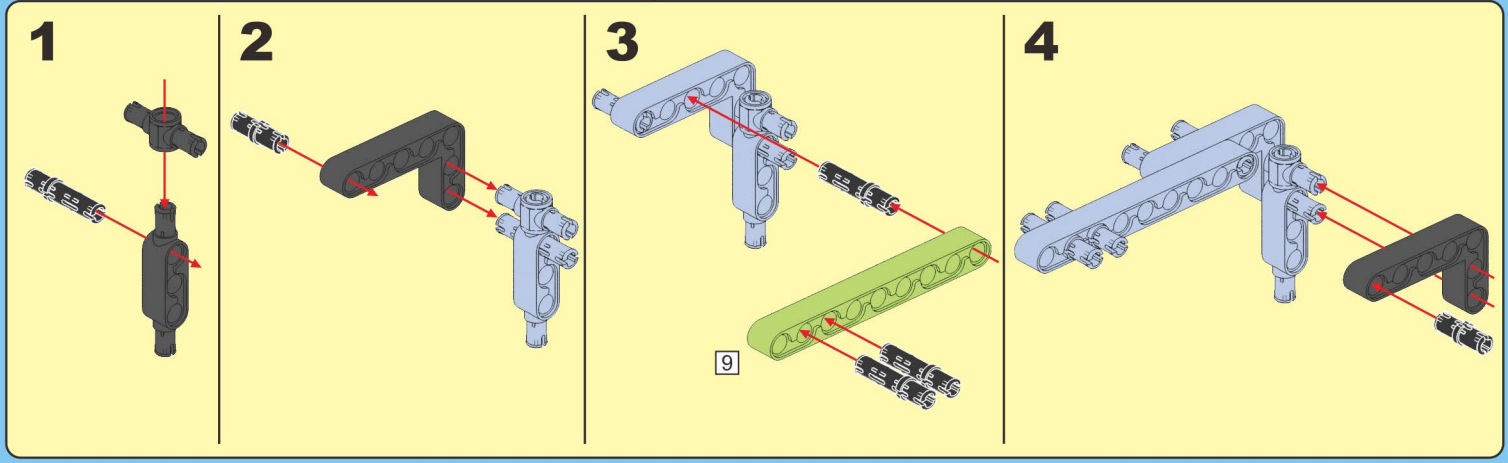
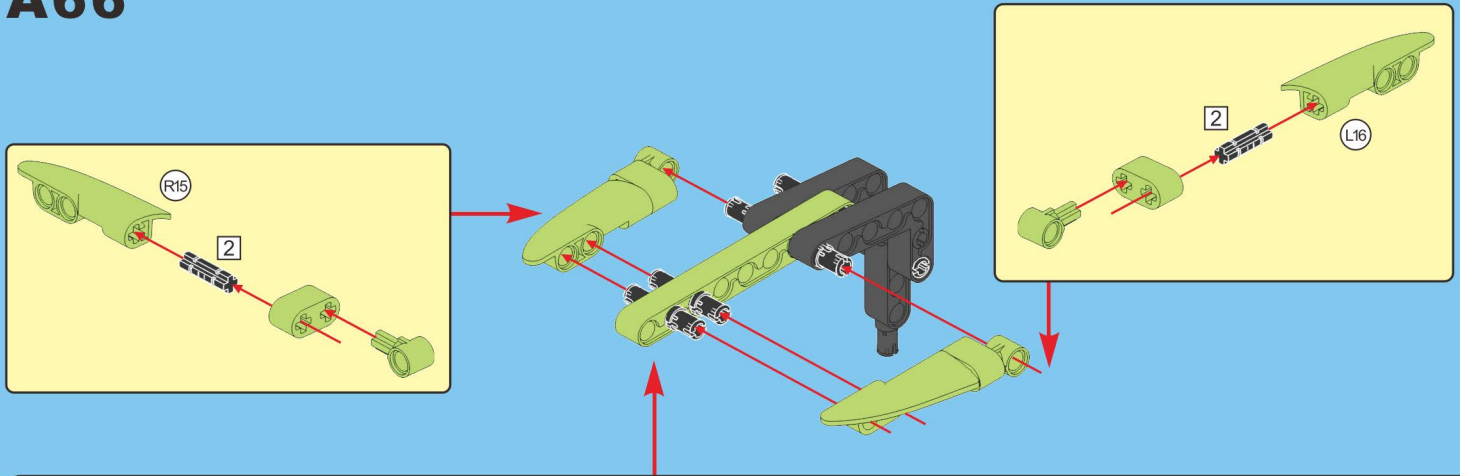


A65



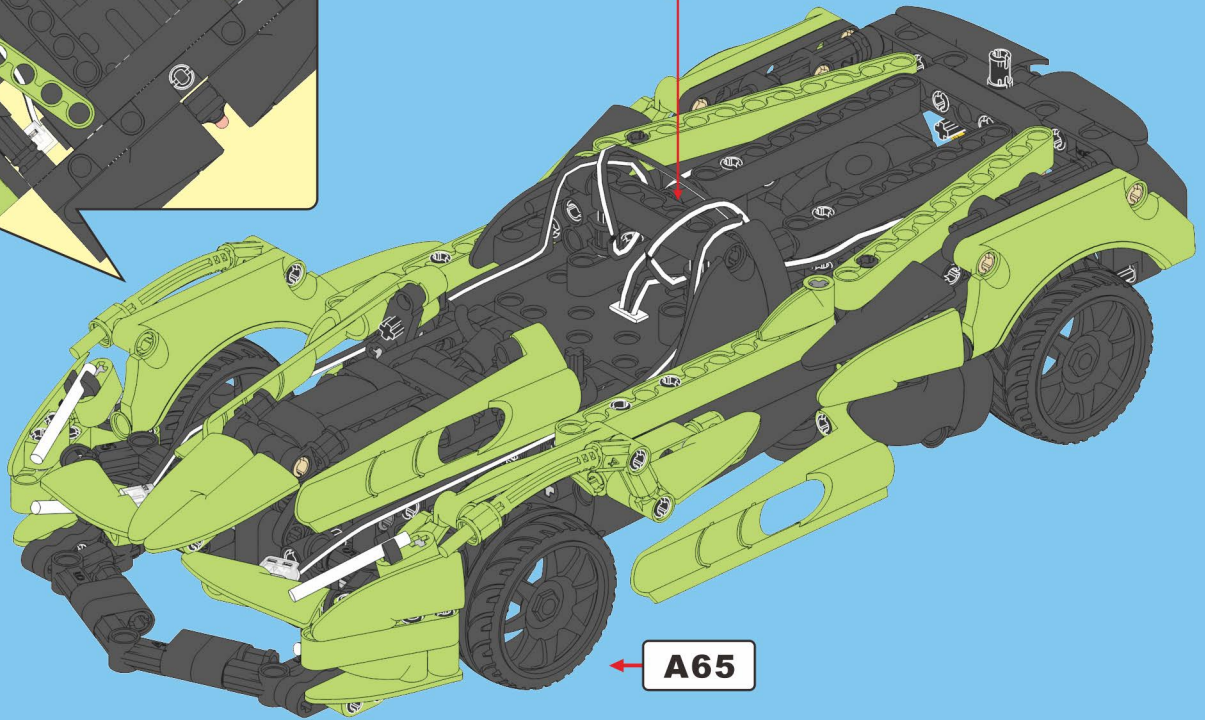
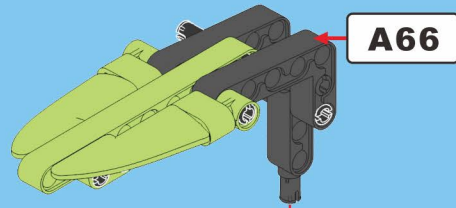
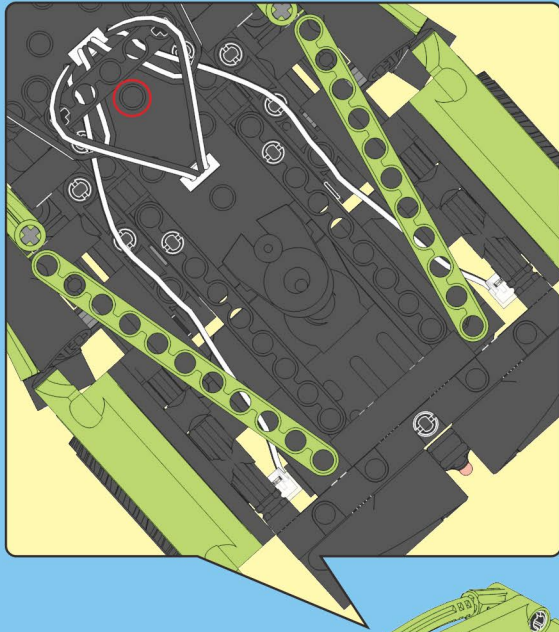


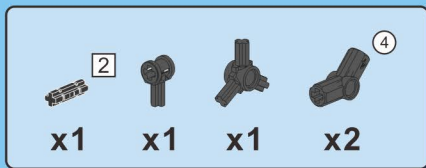
A66



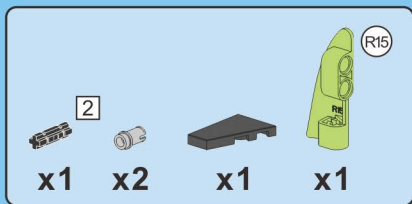
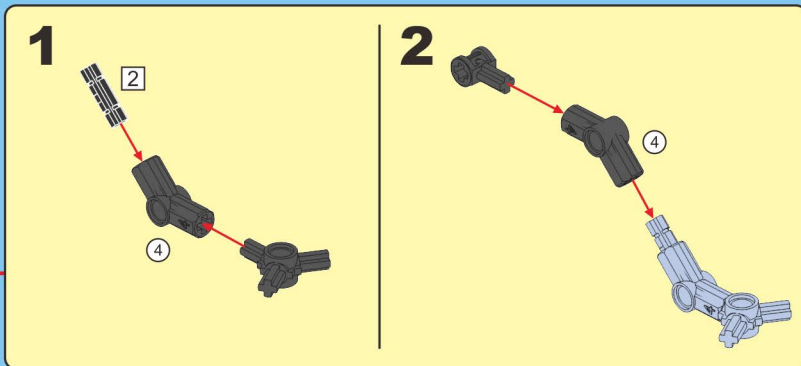
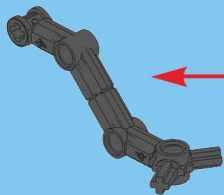
2
 9
 1:1

A67

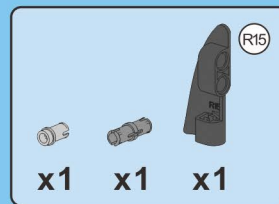
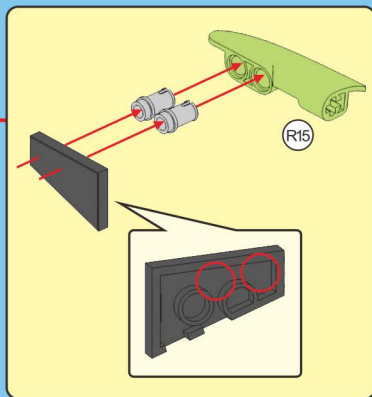
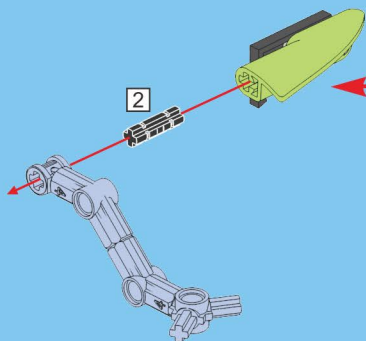




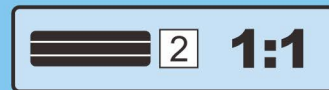
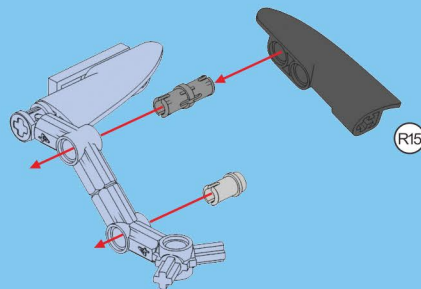
A68

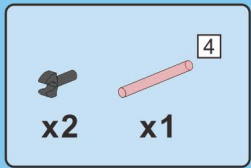


A69

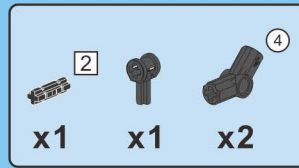
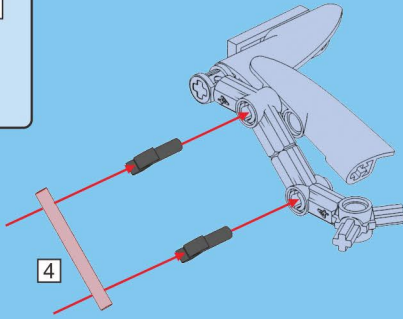


A70

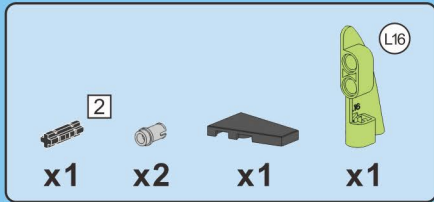
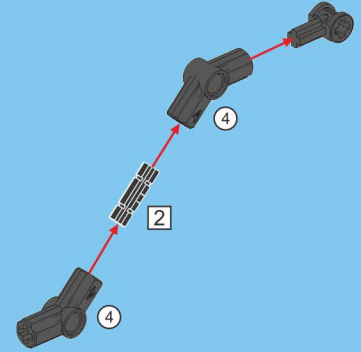




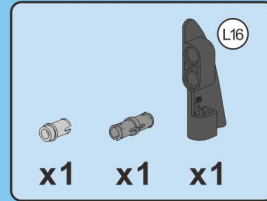
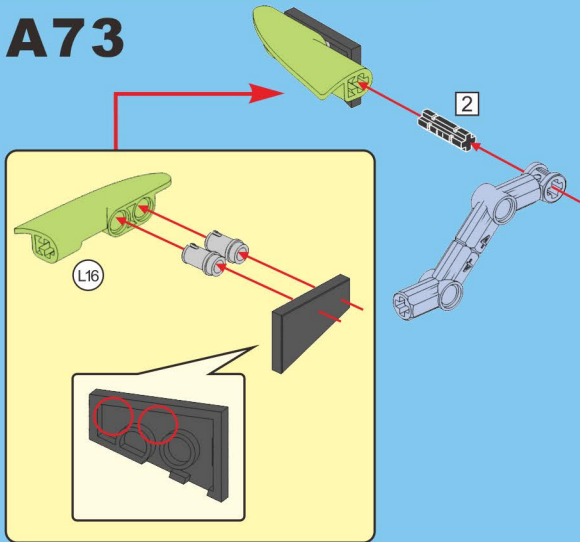
A71



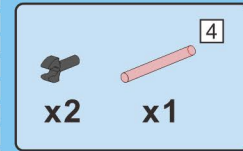
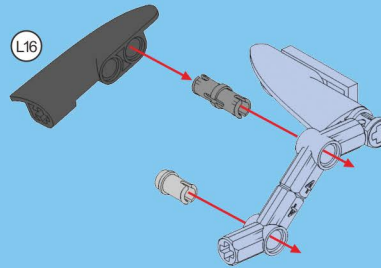
A72



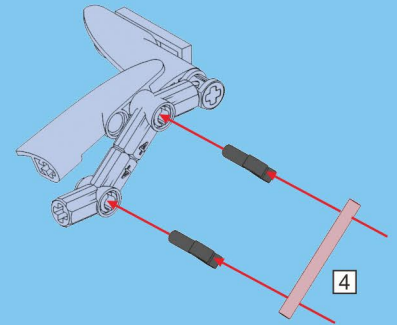
A73



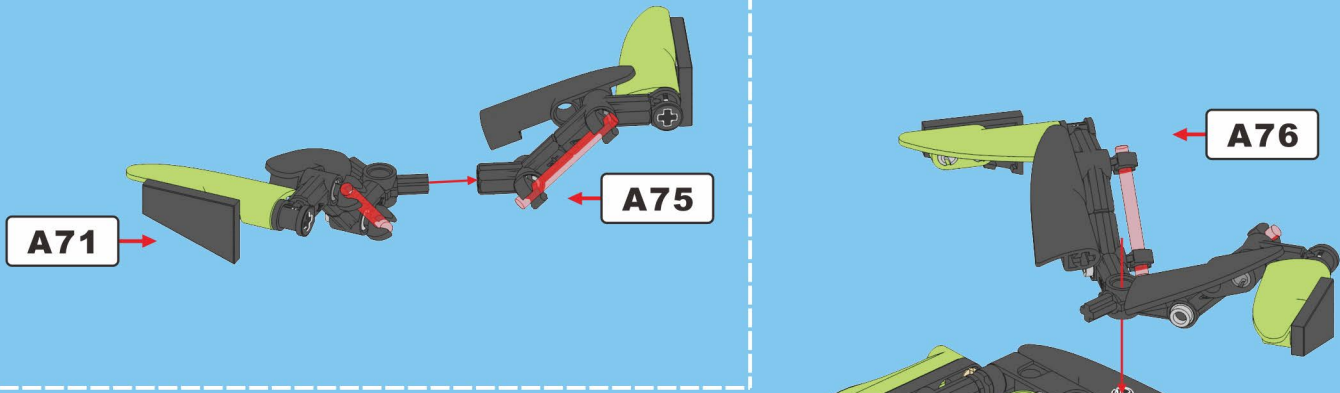
A74



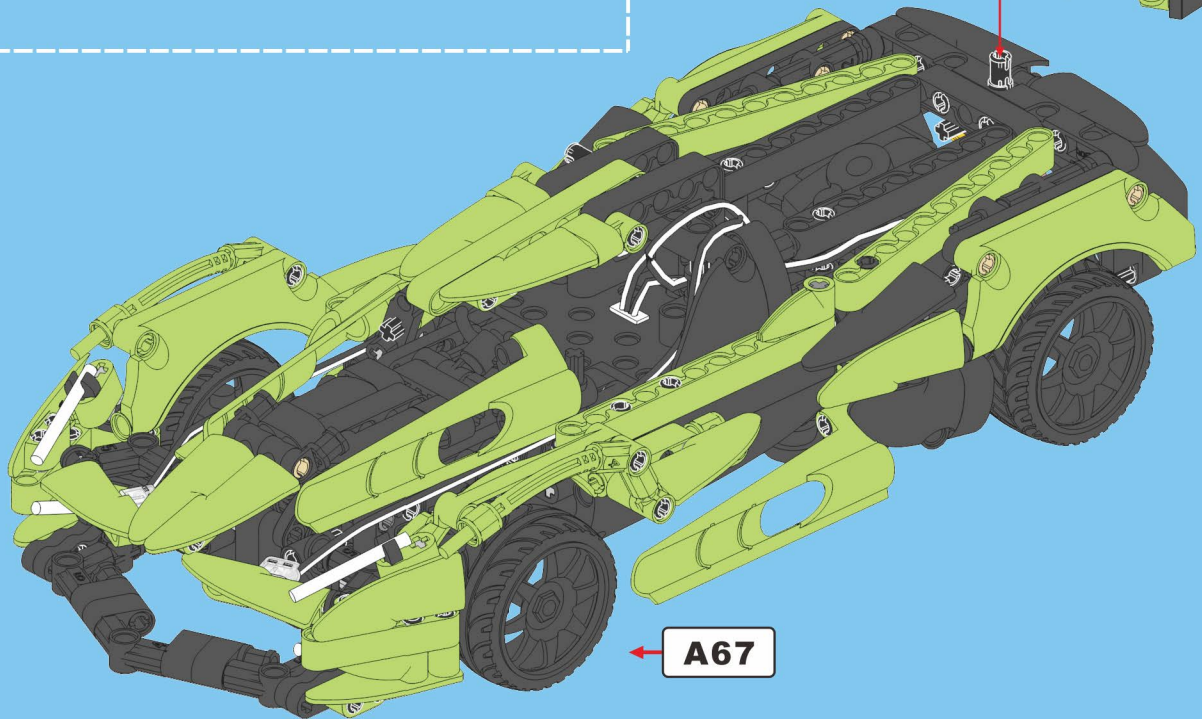
A75

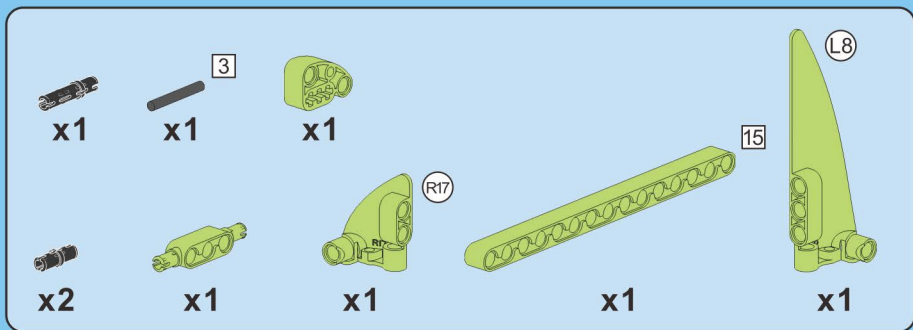


A76

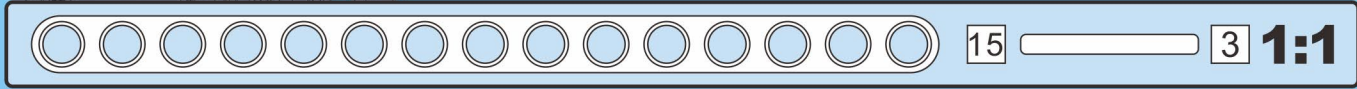
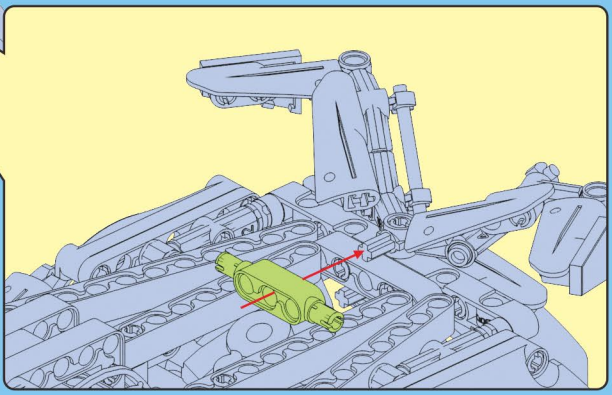
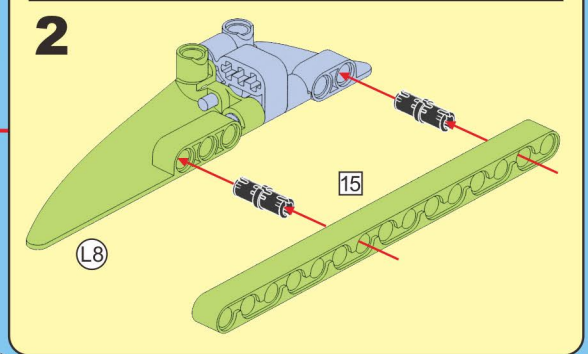
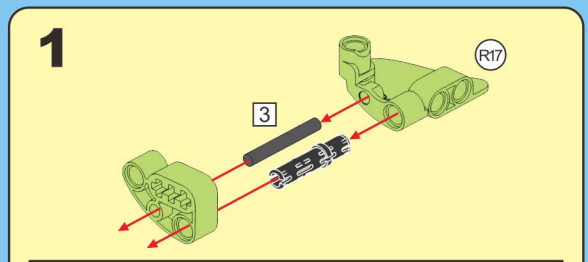
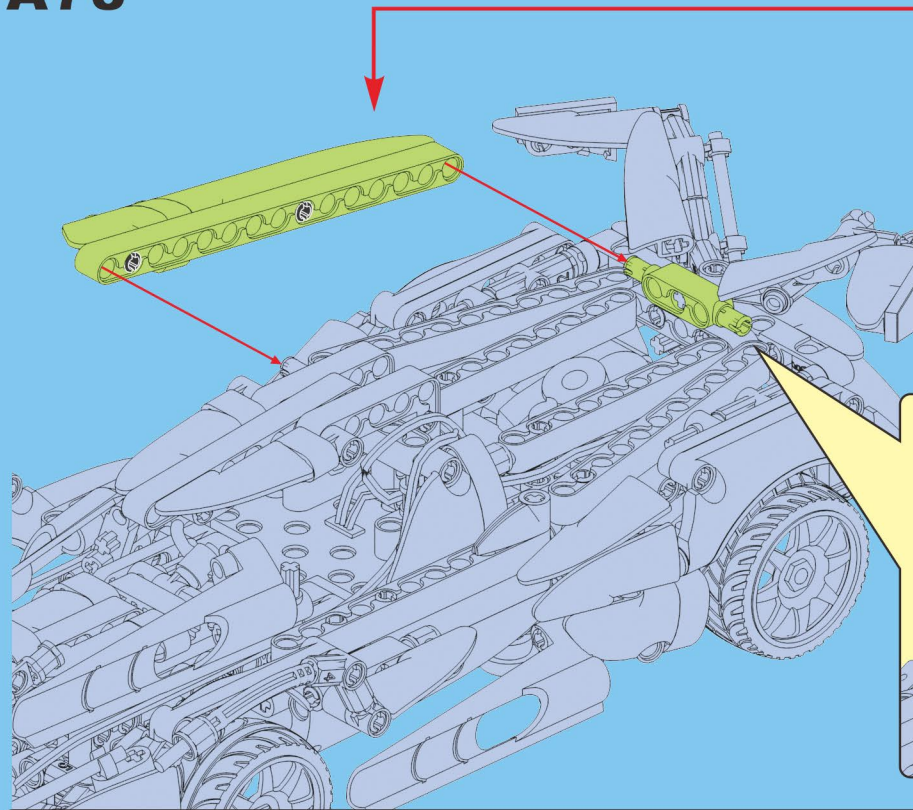


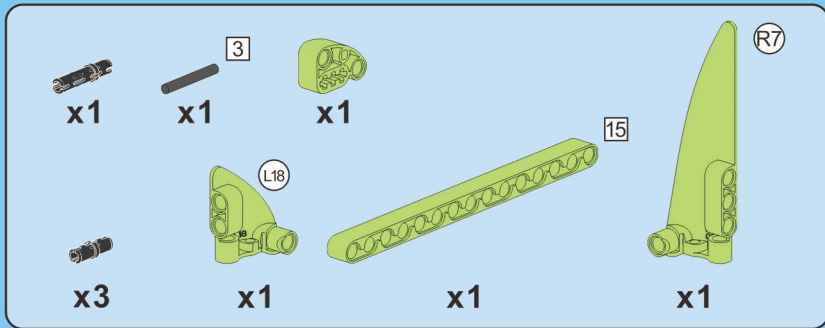
A77



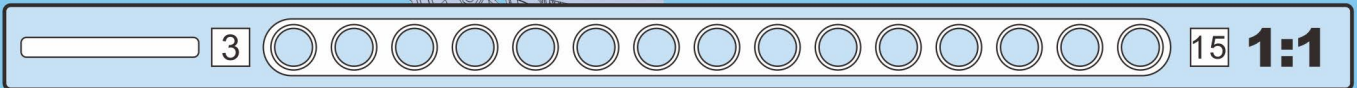
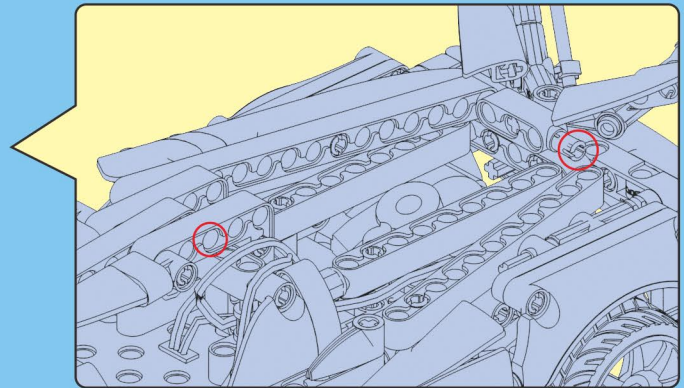
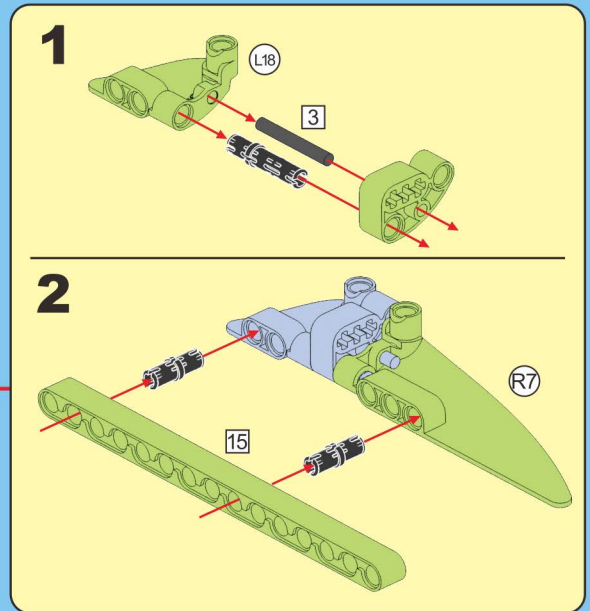
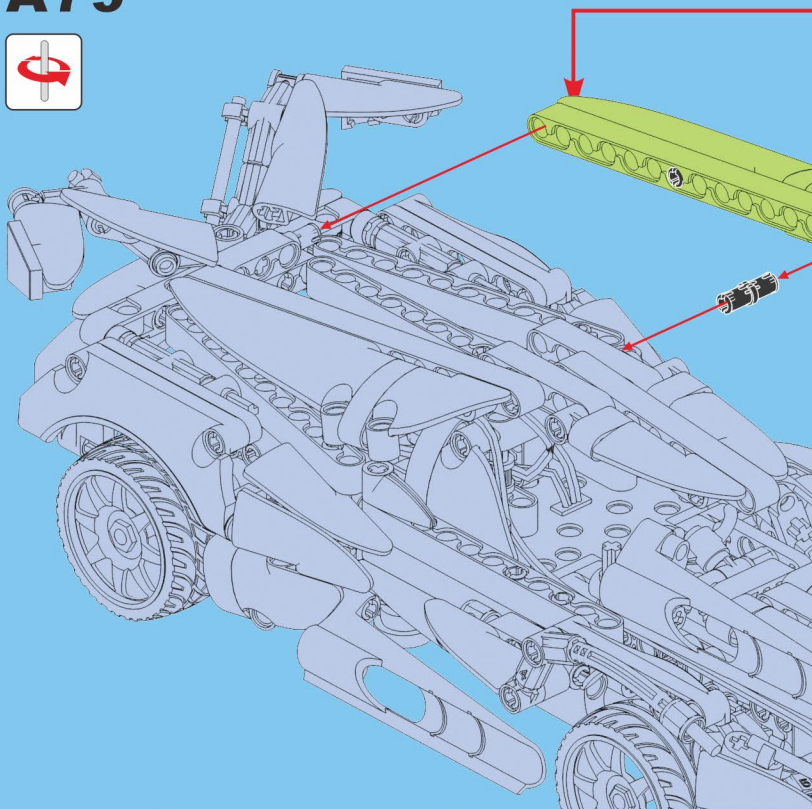










A78



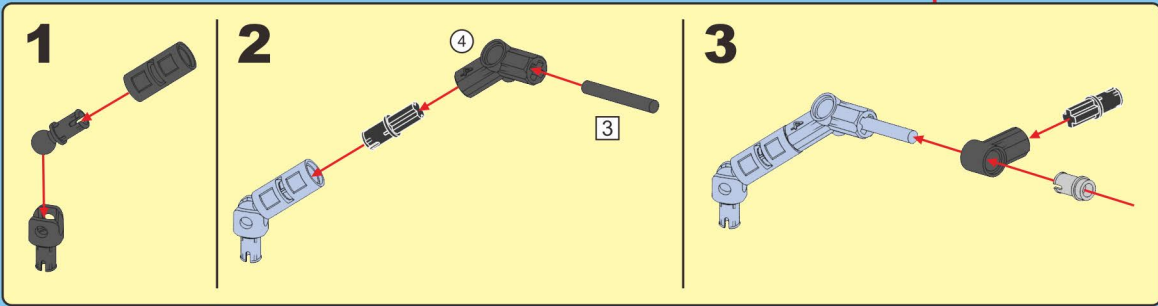
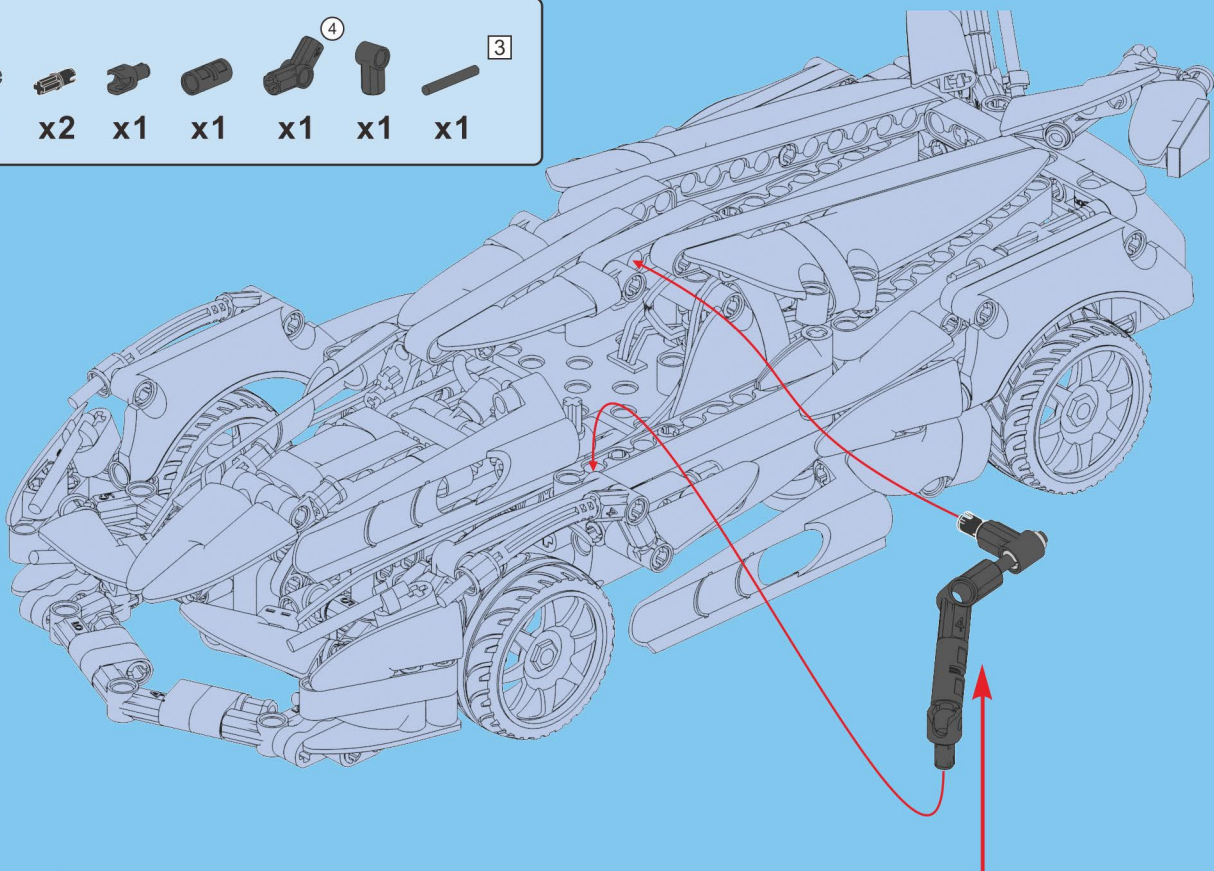


A79

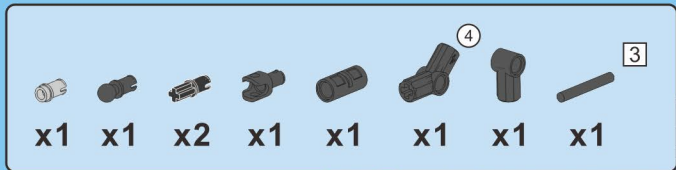


-  x1
-  x1
-  x2
-  x1
-  x1
-  x1
-  x1
-  x1

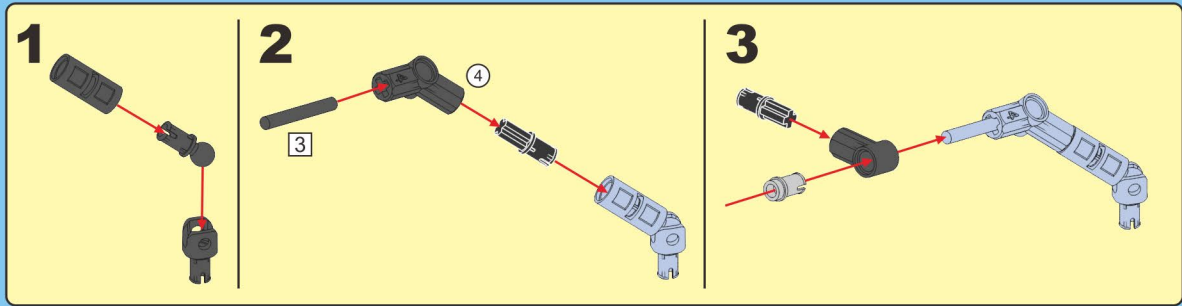
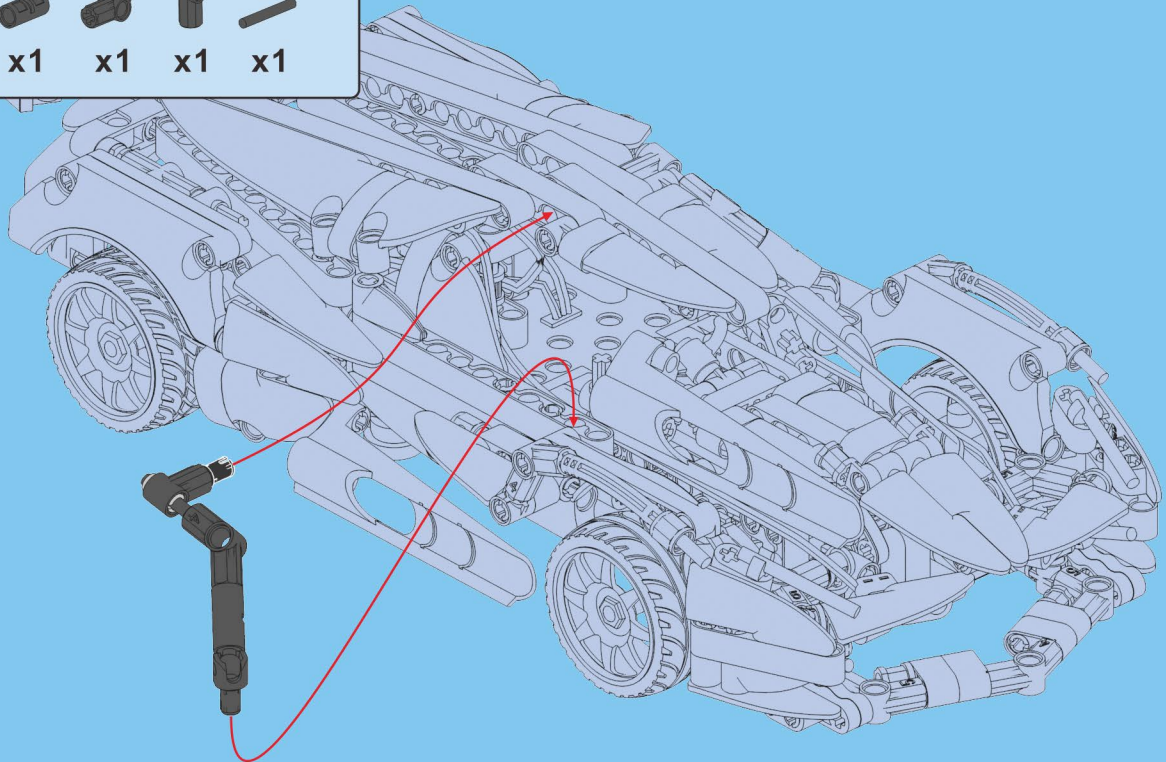
A80

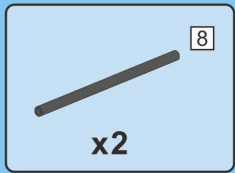


 3 **1:1**

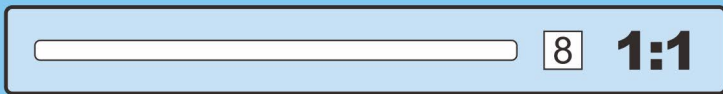
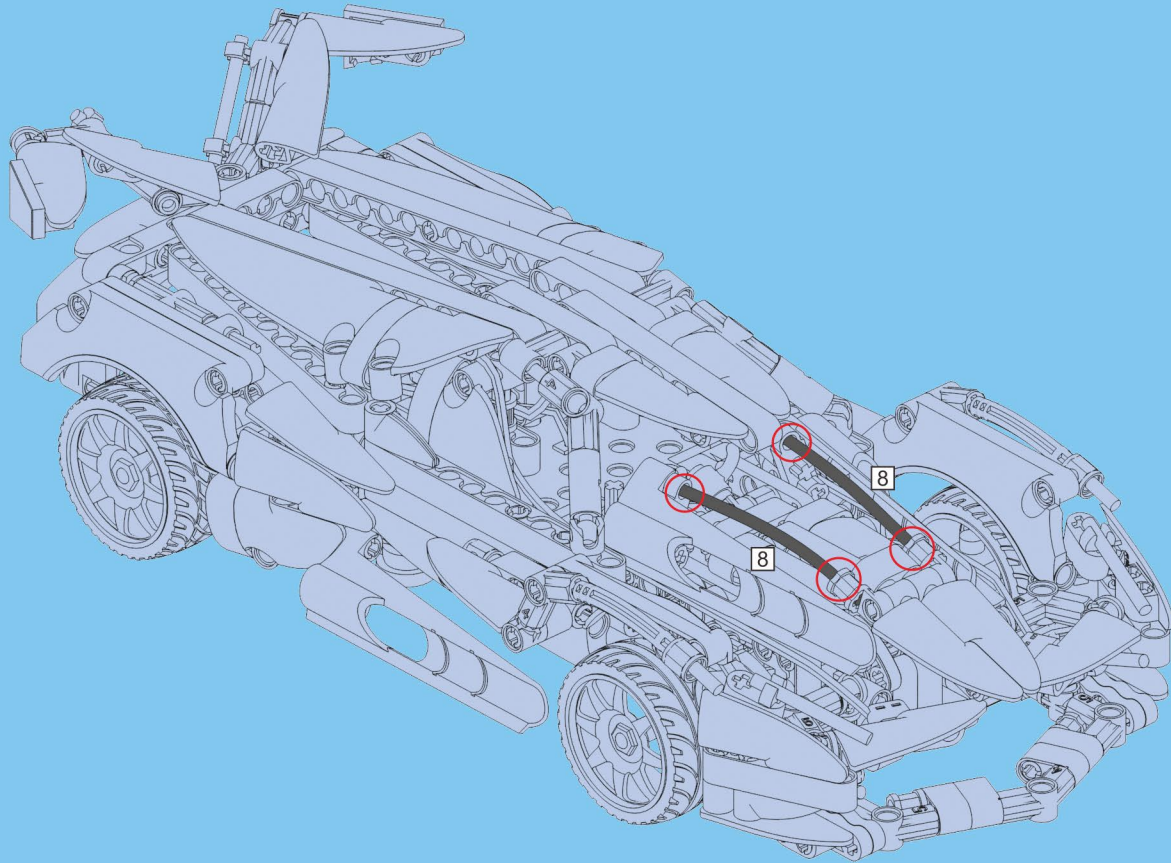


A81



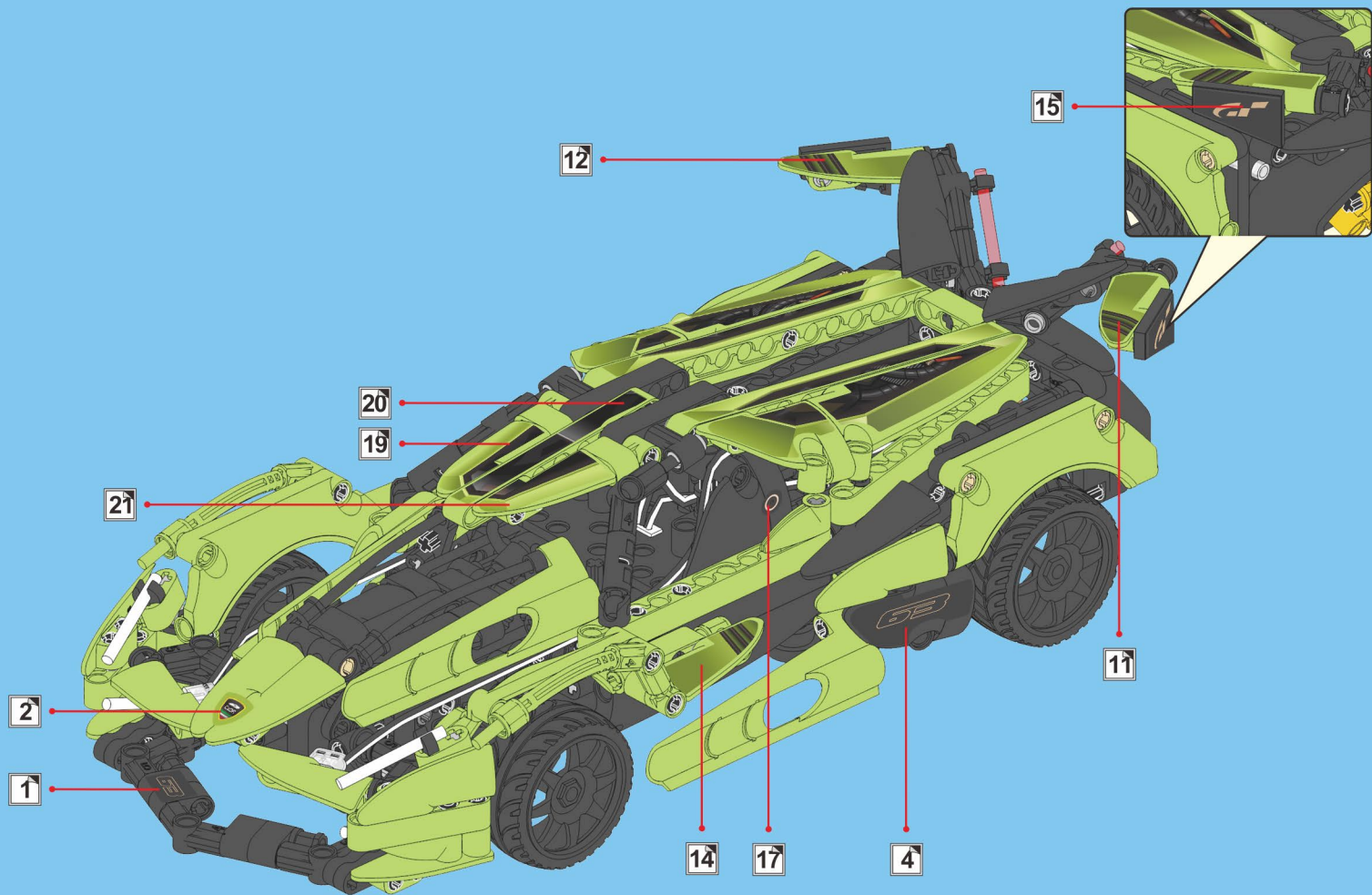


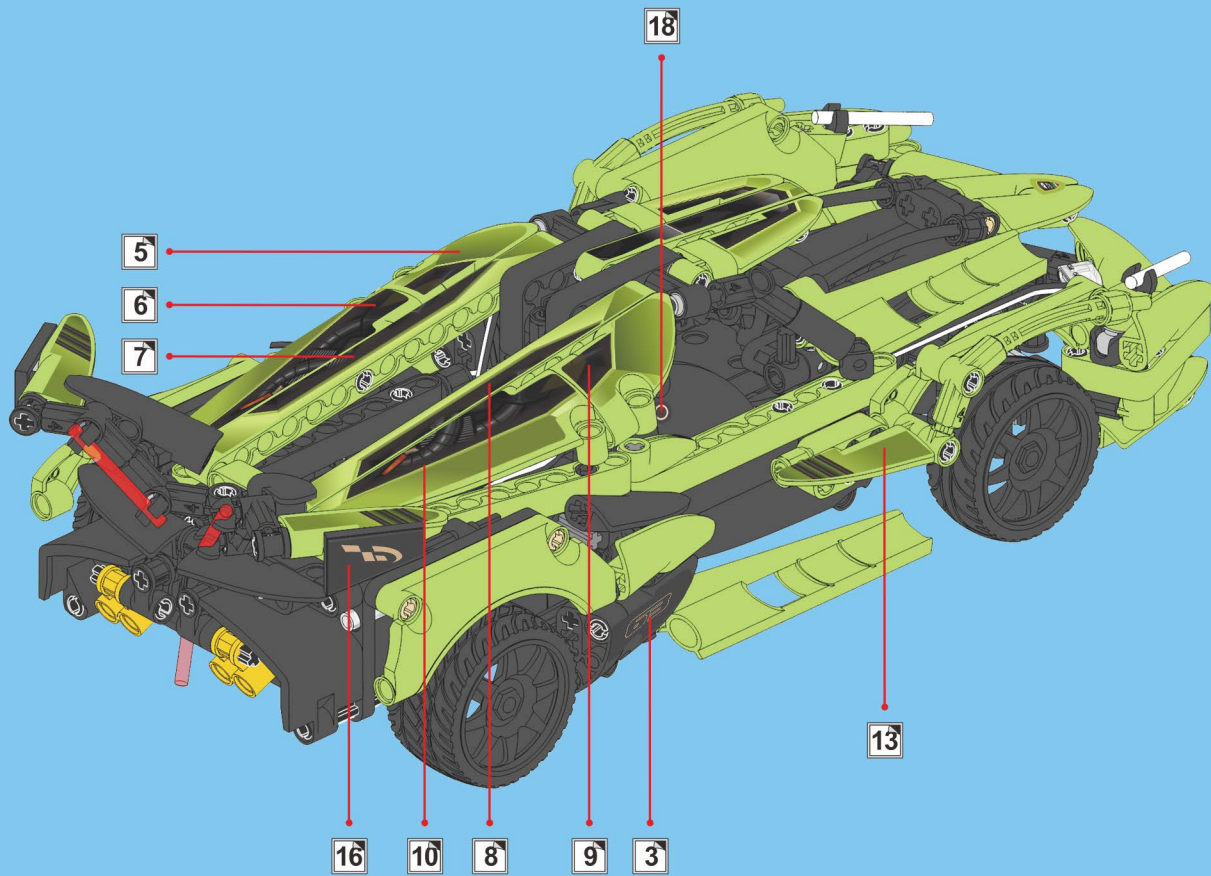
A82

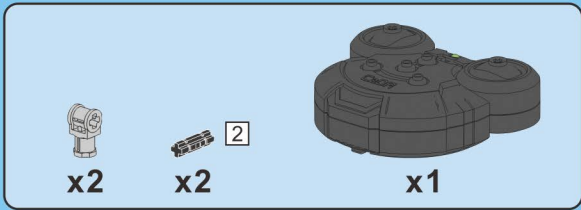


A83

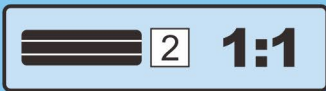
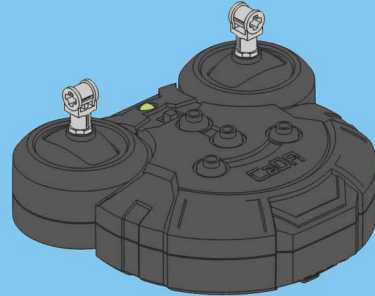
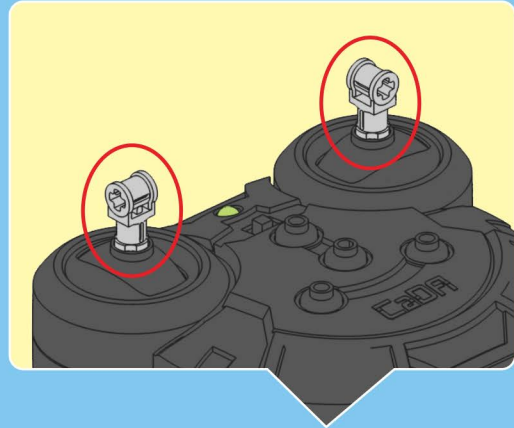
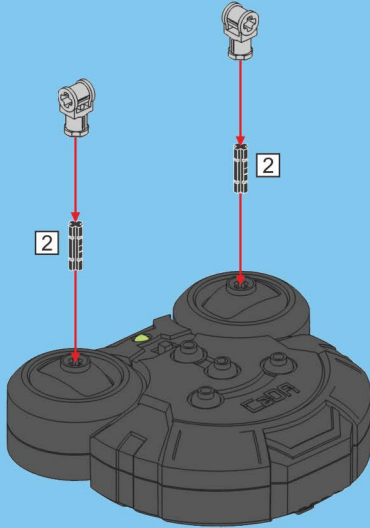


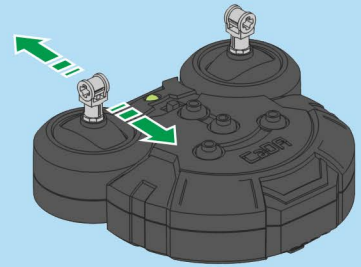
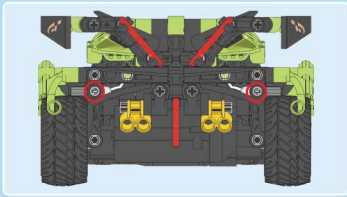
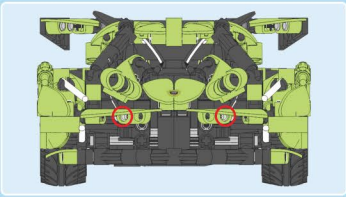
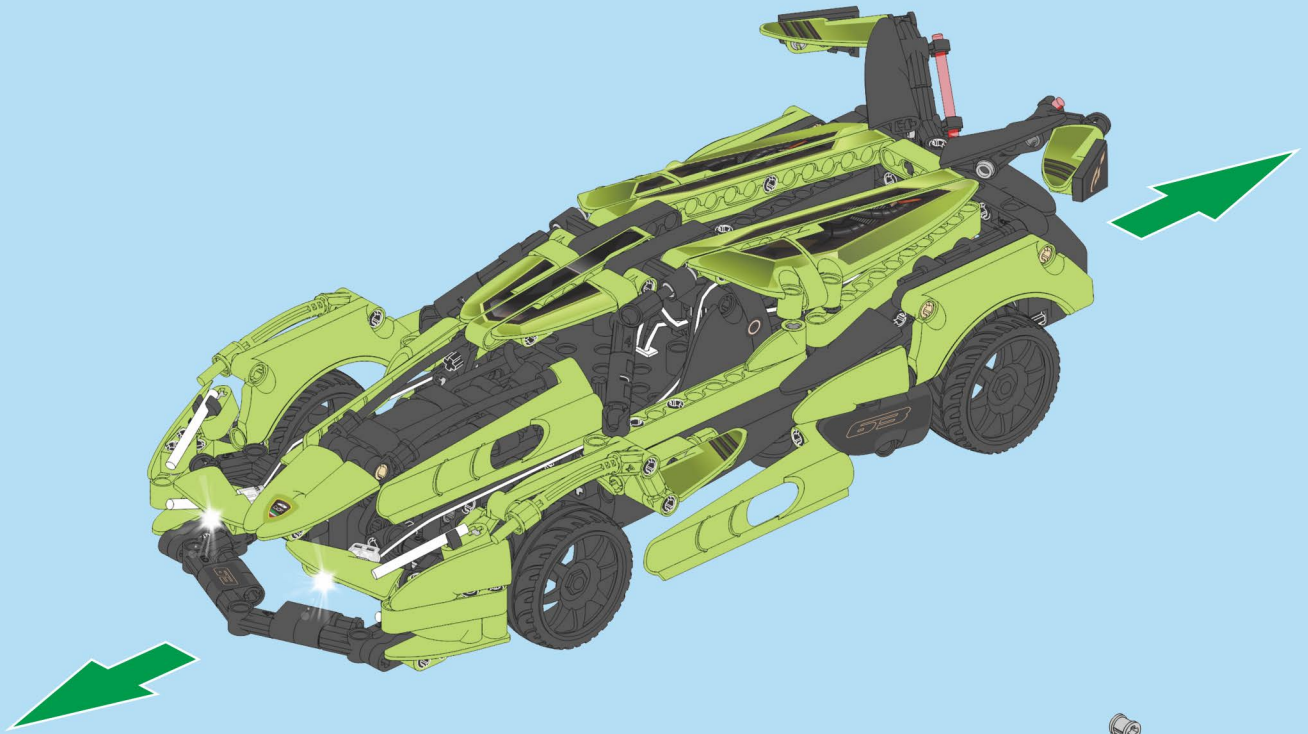


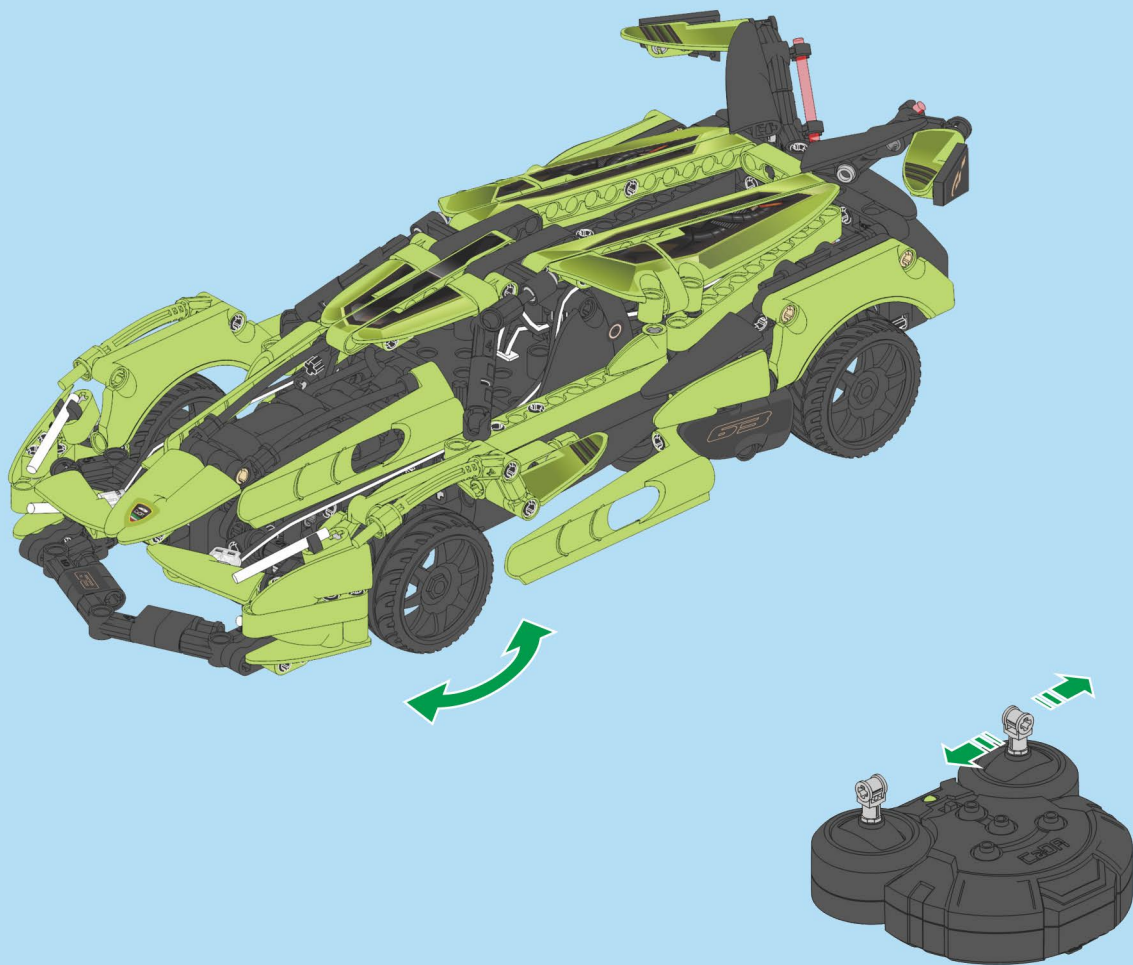




A84







x1
JE20360007

x1
JE20370007

x2
JF10460007

x3
JF10460011

x2
JF10890009

x9
JF10890001

x2
JF30440001

x4
JF30520001

x6
JF40450001

x2
JH00040001

x4
JH00050001

x1
JH00060001

x1
JH00090001

x1
JH00100001

x13
JH00110001

x11
JH00130001

x2
JH00460001

x4
JH10180006

x2
JH10190002

x2
JH20030004

x10
JH20140001

x10
JH20150001

x20
JH20160002

x54
JH20250001

x2
JH30210002

x5
JH41110003

x2
JH41110001

x18
JH50010002

x2
JH50200002

x4
JH50260001

x7
JH50320001

x4
JH50320003

x4
JH50410001

x4
JH50440001

x2
JH50540001

x10
JH50640001

x3
JH50860002

x8
JH50860015

x2
JH60270001

x6
JH60290001

x7
JH60300001

x2
JH60300012

x2
JH60310001

x7
JH61080001

x2
JH60360001

x1
JH60380002

x4
JH60390001

x2
JH60400011

x6
JH60400001

x3
JH60480003

x4
JH60500001

x1
JH60520003

x2
JH60820003

x4
JH60850002

x2
JH90730004

x10
JJ40220001

x2
JJ40280001

x6
JJ40730002

x2
JJ50460003

x2
JJ60050001

x4
JJ60060001

x1
JJ60070009

x2
JJ60080002

x4
JJ60080008

x2
JJ60100008

x4
JJ60180004

x5
JJ60190001

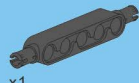
x4
JJ60190013

x4
JJ60340001

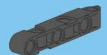
x1
JJ60350004



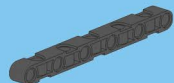
x3
JJ60350002



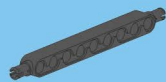
x1
JJ60360003



x2
JJ60400001



x1
JJ60500001



x2
JJ60510003



x5
JJ60590001



x4
JJ70110002



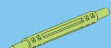
x2
JJ70120002



x2
JJ70120012



x2
JM60460003



x2
JR30250007



x2
JR50220001



x2
JT10020006



x1
JX10440002



x4
JX41970004



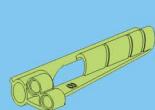
x8
JX41970012



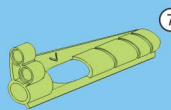
x4
JX41980004



x8
JX41980012



x2
JX40360002



x2
JX40360001



x4
JX40420005



x2
JX41950003



x1
JX41950010



x2
JX41960003



x1
JX41960010



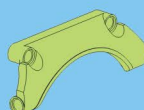
x4
JJ50710001



x2
JJ50710014



x2
JX40550003



x4
JX41080005



x1
JX41680011



x1
JX41680015



x1
JX41690011



x1
JX41690015



x6
JH51100002



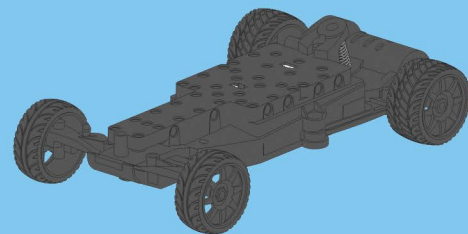
x8
JX80750001



x2
JV3027




x1
JV8001



x1
JV9004

CaDAI[®]

 www.doubleeagle-group.com