



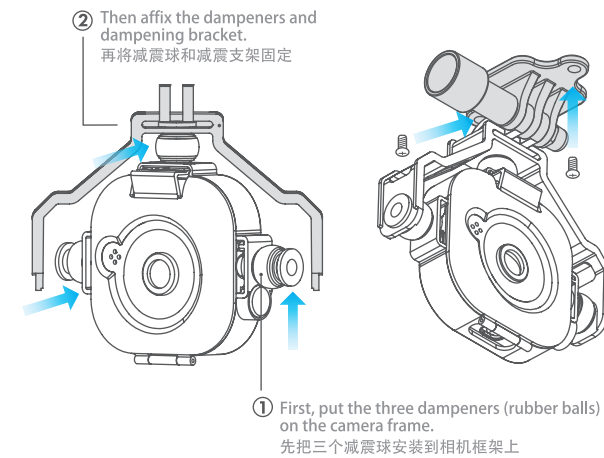
DJI FC40

QUICK START GUIDE

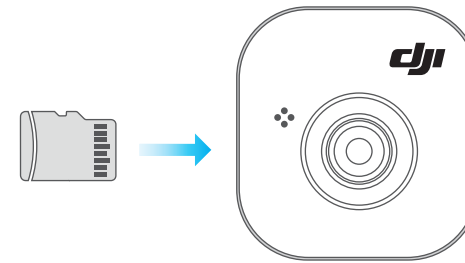
安装指南

1 INSTALL DJI FC40 TO AIRCRAFT 安装 DJI FC40 到飞行器

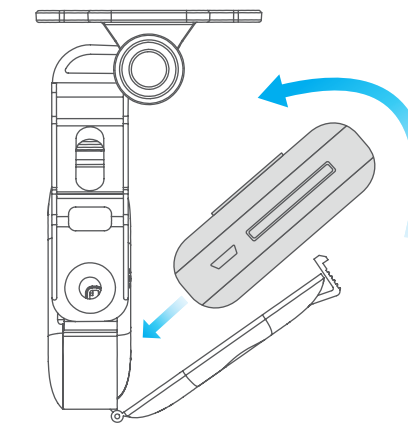
▲ Use the mounting kit in the PHANTOM package.
使用 PHANTOM 包装内的连接器件



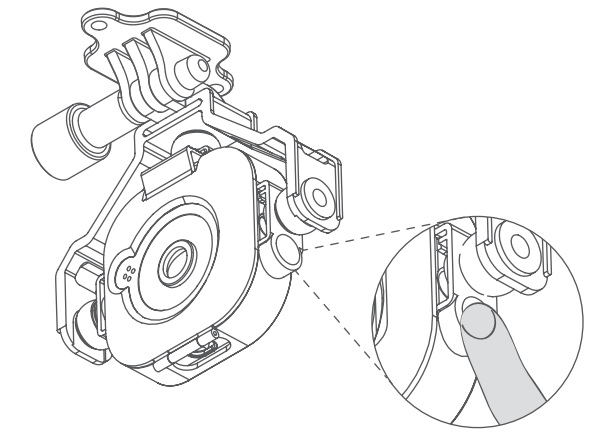
2 INSERT THE MICRO-SD CARD 插入 Micro-SD 卡



3 INSTALL THE CAMERA 安装相机



4 TURN ON THE CAMERA 按开关开启相机



LEARN MORE : WWW.DJI.COM

5 INSTALL DJI FC40 APP 安装 DJI FC40 APP

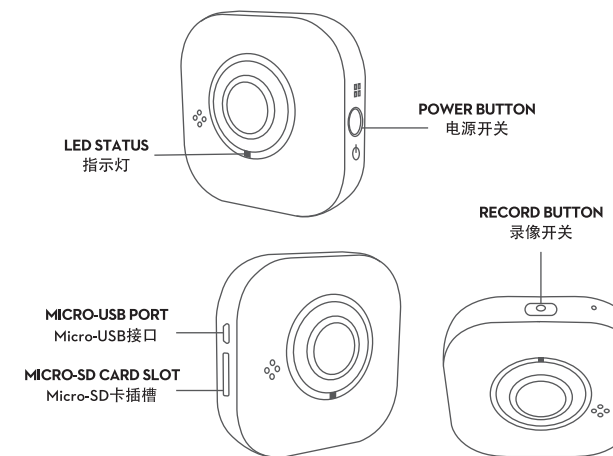


扫描二维码
Scan the QR Code To
Download iOS/Android App

6 CONNECT TO THE CAMERA 连接相机



★ DJI FC40 FEATURES 相机功能



▲ Please use the Micro-USB interface for charging.
请用 Micro-USB 接口进行充电

★ GUIDE FOR CAMERA BUTTONS & LED 相机热键 & LED 指南

CAMERA BUTTONS 相机热键

- 1. To Power Off : Press the Power Button for 5 sec.
关闭 : 电源长按电源按钮 5 秒关闭电源.
- 2. To Record : Press the Record Button for 3 sec.
录像 : 长按录像按钮 3 秒.

CONDITIONS	状态	STATUS INDICATOR	状态指示灯
Recording	录像	● ● ● ● ●	
Charging	充电	● ● ● ● ●	
Charged	充满电		
Low Power	低电压	● ● ● ● ●	
Power Off	关闭电源		
Auto Power Off (5 Mins Idle)	5 分钟闲置 关闭电源	● ● ● ● ●	
Wi-Fi Connecting	Wi-Fi 连接	● ● ● ● ●	
Memory Full Micro-SD Card Error	内存已满或者 内存卡错误	● ● ● ● ●	