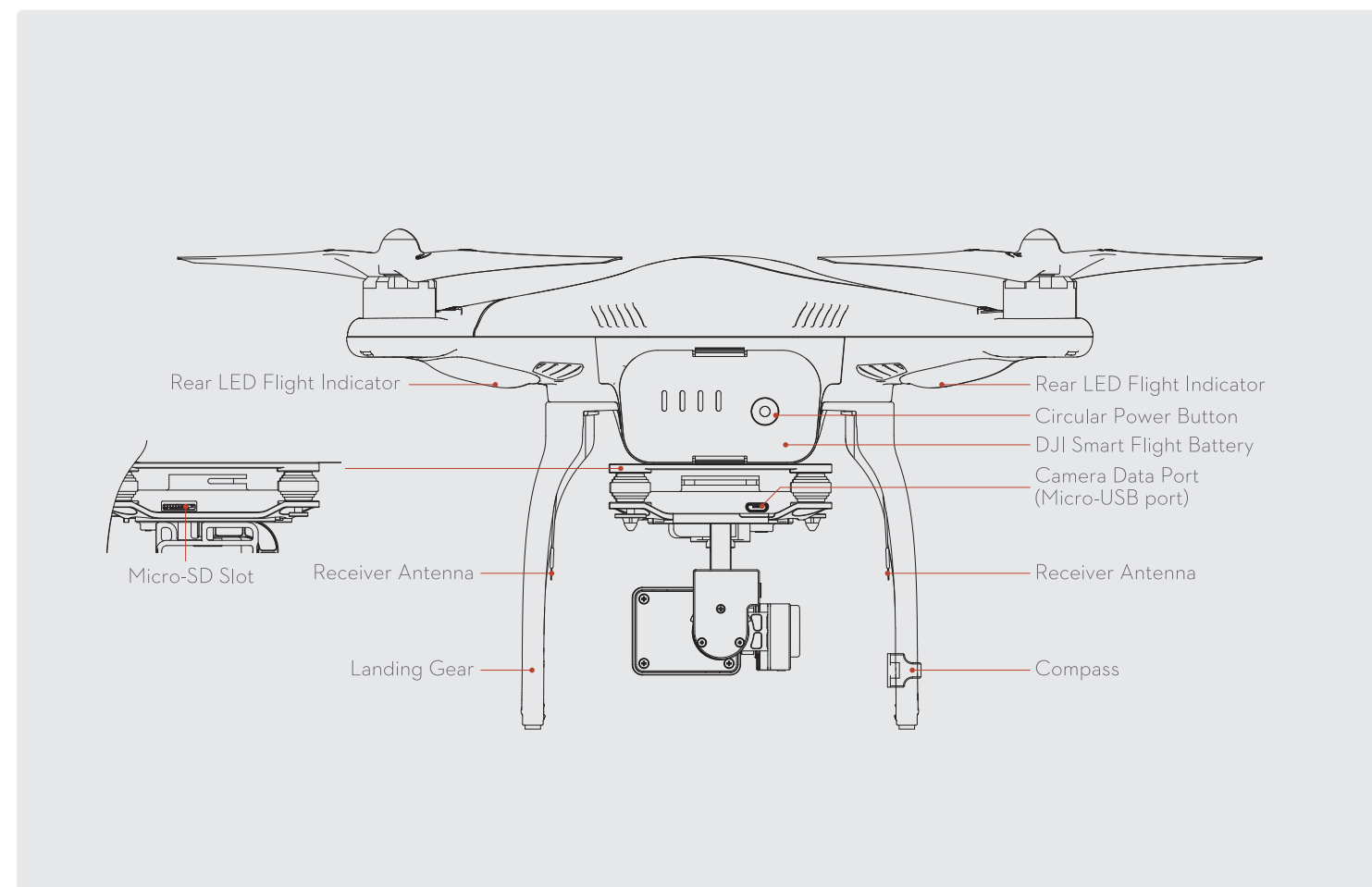
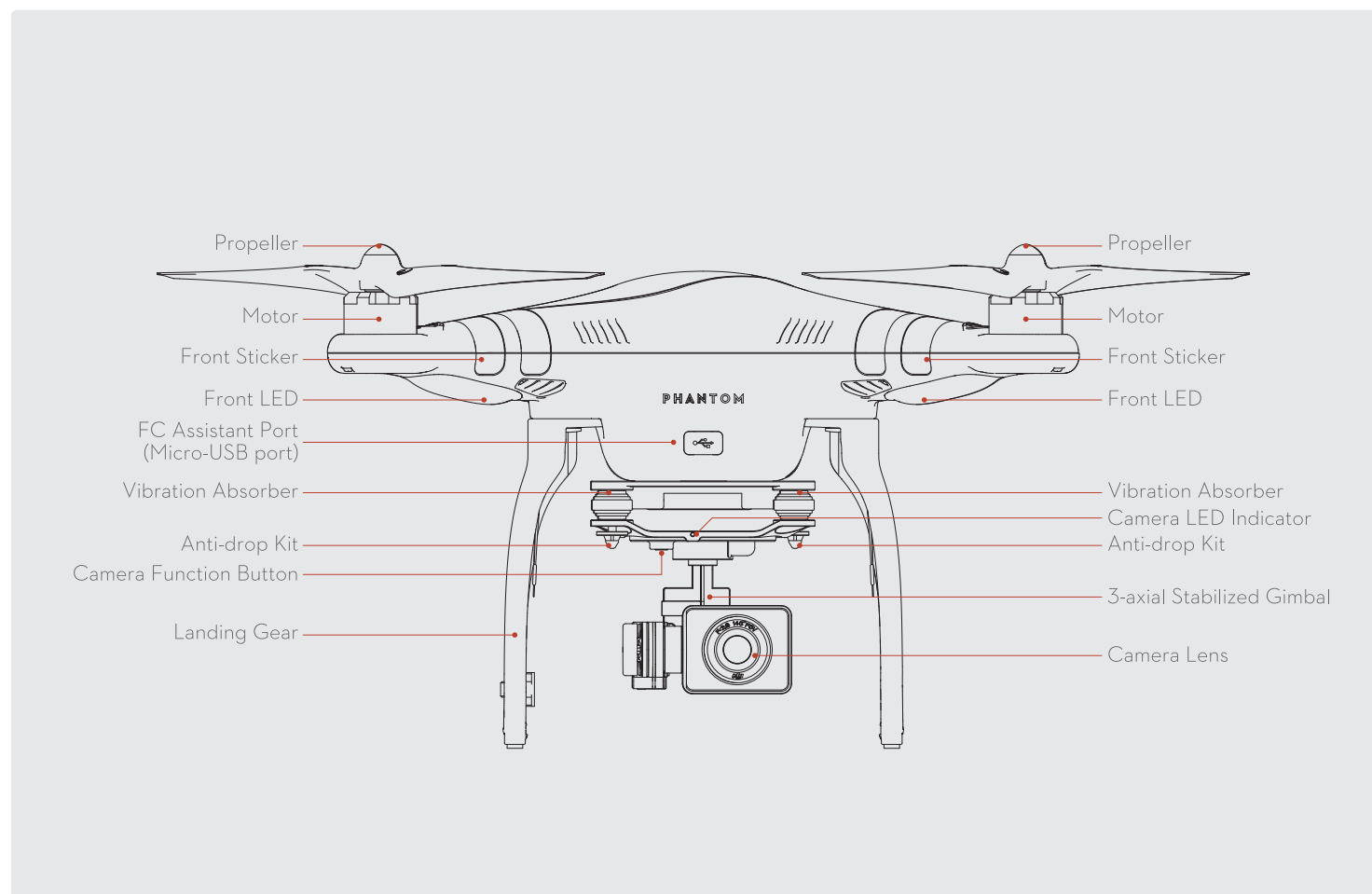
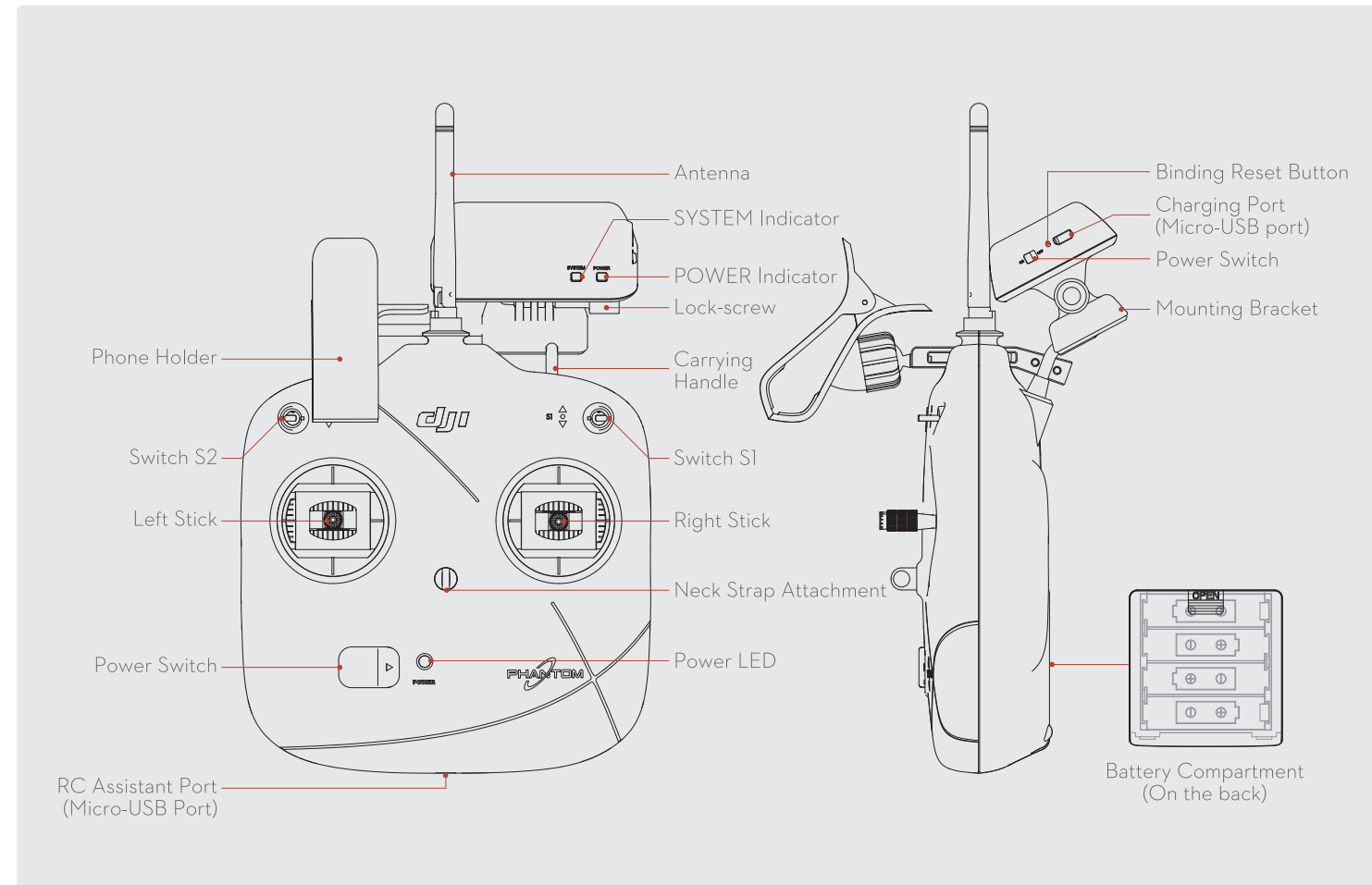


PHANTOM 2 VISION+

Quick Start Guide



©2014 SZ DJI Technology CO., Ltd.
Printed in China



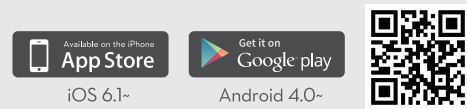
PHANTOM 2 VISION+

Quick Start Guide

1 START

- View tutorials:
<http://www.dji.com/phantom2visionplus/training>

- Search **DJI VISION*** in the App Store or Google Play. Download, then launch and register for a DJI account.



- Ensure the flight battery and Range Extender are fully charged.**

Important: For SAFETY reasons please watch tutorials, read the disclaimer and manuals thoroughly before using this product.

* DJI VISION App supports the Phantom 2 Vision and the Phantom 2 Vision+. It is compatible with iOS and Android devices.

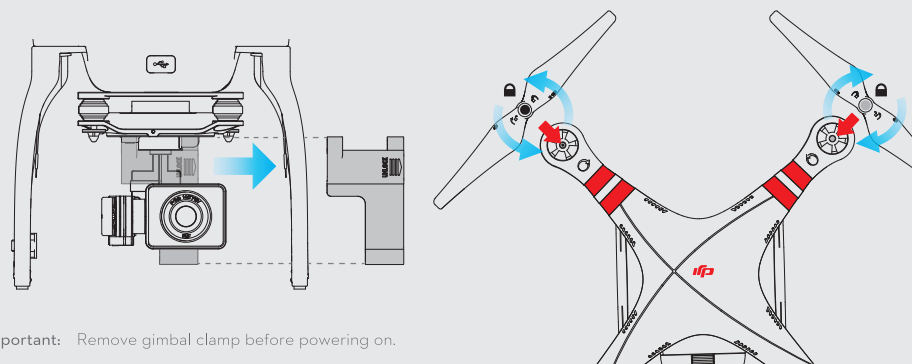
** See step 4 5 for checking battery levels. Refer to user manual for charging.



Tutorials

2 Preparing Phantom 2 Vision +

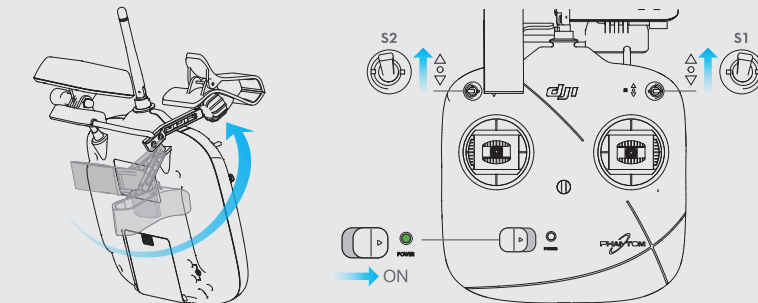
- Remove the gimbal clamp, the lens cap and the four warning cards from motors.
- Screw the propellers, clockwise for grey nuts and anti-clockwise for black nuts, onto the four motors. Be sure to match the black propeller nuts with the black dot motors.
- Make sure your smart flight battery and Micro-SD card are inserted correctly.



Important: Remove gimbal clamp before powering on.

3 Preparing Remote Controller

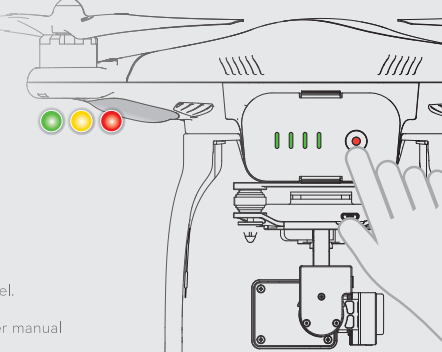
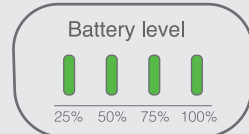
- Twist the Phone Holder to face outwards and fix in position.
- Insert 4 x AA batteries (included) into the Remote Controller.
- Be sure S1 and S2 are switched to the upper most position. The LED will go green if the Remote Controller is functioning.



Important: A red blinking and a continuous beeping from the Remote Controller indicate LOW BATTERY VOLTAGE. Replace batteries before flight.

4 Powering On Flight Battery

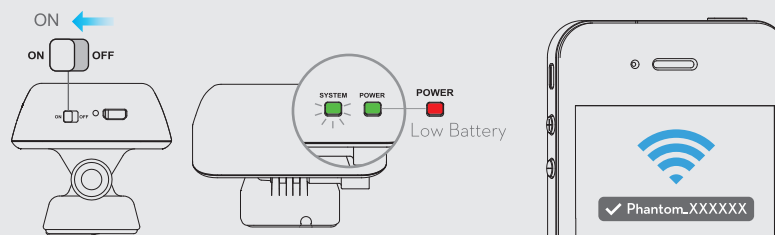
- Press the circular power button once, then press again and hold for 2 seconds to power on the flight battery.
- Rear LED Flight Indicators light up to indicate flight status:
 - Slow green flashing: Ready to fly (GPS).
 - Slow yellow flashing: Ready to fly (Non-GPS).
 - Fast yellow flashing: Remote controller signal lost.
 - Fast red flashing: Flight battery level warning.



Important: 1. Press circular power button once to check battery level.
2. Front LEDs light up until motors start up.
3. Refer to the LED Flight Indicator card attached or user manual for more details.

5 Powering on Range Extender/Linking Camera

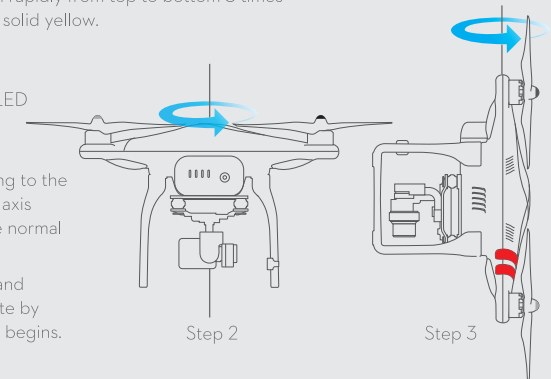
- Toggle power switch to ON position. SYSTEM Indicator will blink green to show normal operation.
- Enable Wi-Fi on your mobile device then select Phantom_XXXXXX from Wi-Fi network list.
- Tap **CAMERA** icon in the DJI VISION App for a live camera view to ensure the camera is linked, then clip your mobile device into the Phone Holder.



Important: 1. If the POWER indicator is red, this means battery level is low. Charge your Range Extender by Micro-USB cable.
2. Only if both Range Extender and flight battery are powered on, you will be able to link the camera.

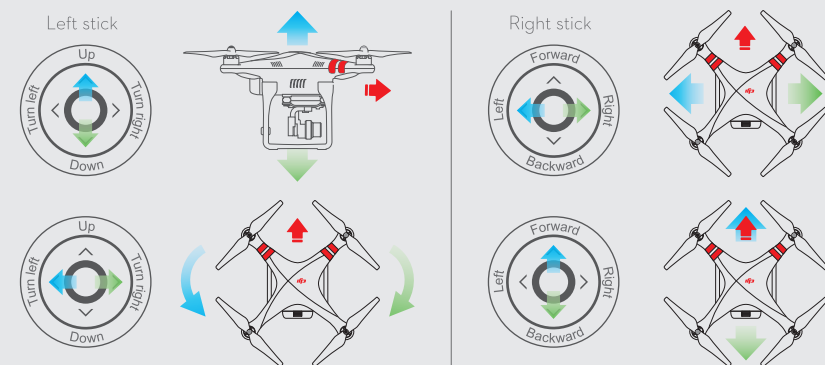
6 Calibrating Compass

- Always calibrate compass before your flight.
- Step 1: To enter calibration mode, flip S1 switch rapidly from top to bottom 5 times or until Rear LED Flight Indicators turn solid yellow.
- Step 2: Hold Phantom horizontally then rotate 360° around the center axis until Rear LED Flight Indicators go green.
- Step 3: Hold aircraft vertically with nose pointing to the ground, rotate 360° around the center axis until Rear LED Flight Indicators resume normal blinking patterns.
- If Rear LED Flight Indicators blink red and yellow, calibration has failed. Re-calibrate by repeating Step 1-3 until normal blinking begins.



7 Remote Controller Settings

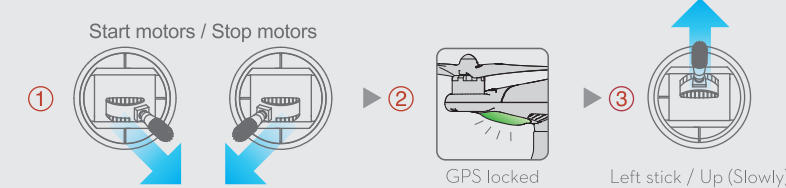
- The Remote Controller is by default set to Mode 2 (left hand controls throttle).



Important: You can use PHANTOM RC Assistant software to switch it to Mode 1.

8 Taking off (Outdoors)

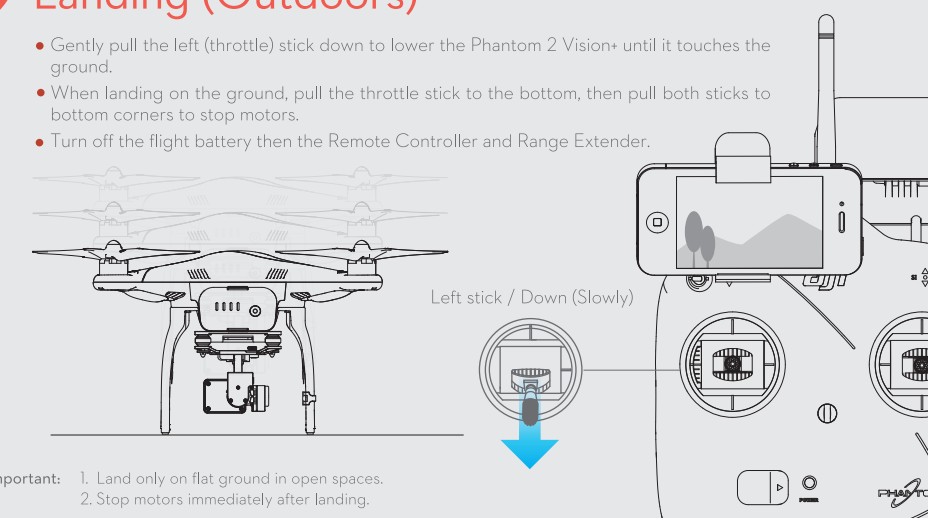
- Place the Phantom 2 Vision+ on flat ground in an open space with Rear LED Flight Indicators facing you.
- Power on the Remote Controller, the Range Extender and the flight battery mounted in Phantom 2 Vision+. Make sure that the DJI VISION App is working properly.
- Start motors by pulling both control sticks to the bottom corners. Release sticks once motors start.
- Wait until Rear LED Flight Indicators go from a slow yellow blinking to a slow green, indicating GPS locked.
- Slowly push the left (throttle) stick up to take off.



Important: 1. Beginner flyers are recommended to only fly when the slow green flashes.
2. Rear LED Flight Indicators will go from slow yellow flashing to slow green flashing if more than 6 GPS satellites have been found.
3. Never stop the motors during flight.

9 Landing (Outdoors)

- Gently pull the left (throttle) stick down to lower the Phantom 2 Vision+ until it touches the ground.
- When landing on the ground, pull the throttle stick to the bottom, then pull both sticks to bottom corners to stop motors.
- Turn off the flight battery then the Remote Controller and Range Extender.



Important: 1. Land only on flat ground in open spaces.
2. Stop motors immediately after landing.