

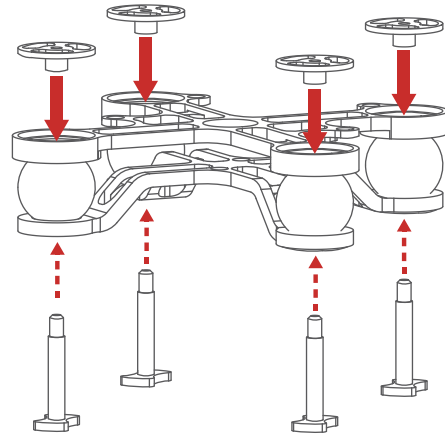


ZENMUSE H3-2D GIMBAL

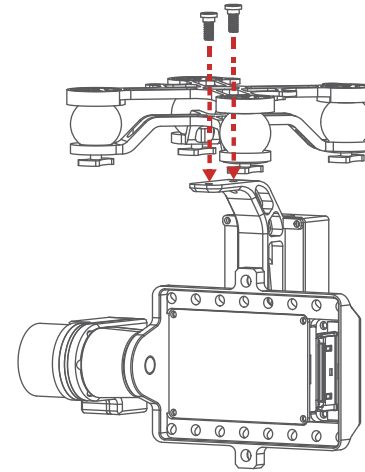
QUICK START GUIDE

安装指南

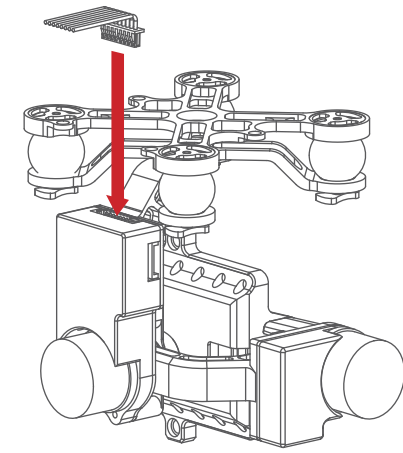
- 1** Fix the four anti-drop covers and tighten the four anti-drop screws.
先装紧四个防脱落上件，再拧紧四个防脱落手螺钉。



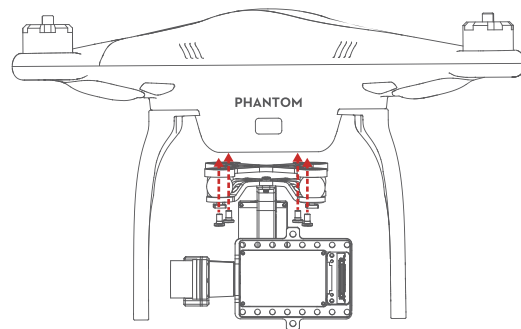
- 2** Tighten the two M2.5x5 screws to fix the gimbal to the Bottom Board of Damper Unit.
安装云台到减震装置下板，拧紧图示的两颗M2.5x5螺丝。



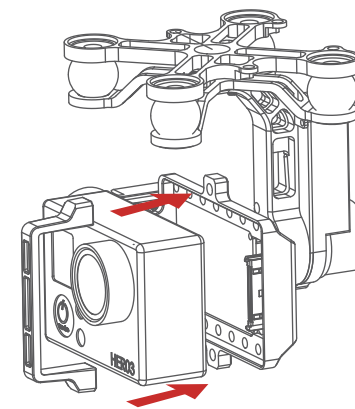
- 3** Plug the connector of the 8-Pin cable into the 8-Pin port on the gimbal.
将8针线插入云台8针端口。



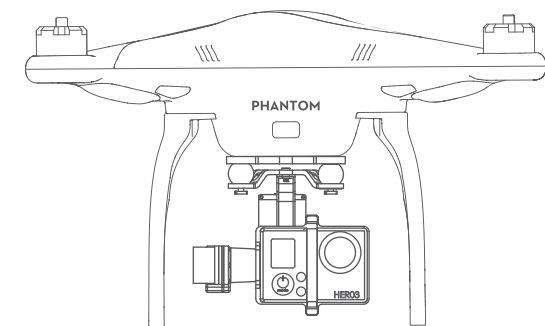
- 4** Tighten the four M3x5 screws to assemble the Top Board of Damper Unit to the bottom of aircraft. Make sure the Camera Mounting Base of the gimbal is pointing to the aircraft nose direction.
将减震装置上板安装到飞行器底部，拧紧图示的四颗M3x5螺丝。确保相机安装座与飞行器机头朝向一致。



- 5** Mount the camera into the Camera Mounting Base of the gimbal and fix the camera by the Camera Fixed Mounting. Tighten the two M2.5x6.3 screws.
安装相机到云台中，并使用两颗M2.5x6.3螺丝拧紧相机固定框。



- 6** Assembly is finished. Make sure the Damper Unit is horizontally assembled and both damping boards are paralleled to the bottom of the aircraft, further to make sure the gimbal is precisely and firmly assembled.
完成安装。检查安装，确保减震装置水平牢固地安装于飞行器上并且上下板平行，保证安装精确稳固。



LEARN MORE : WWW.DJI.COM