

500MX MOTOR 關於500MX馬達

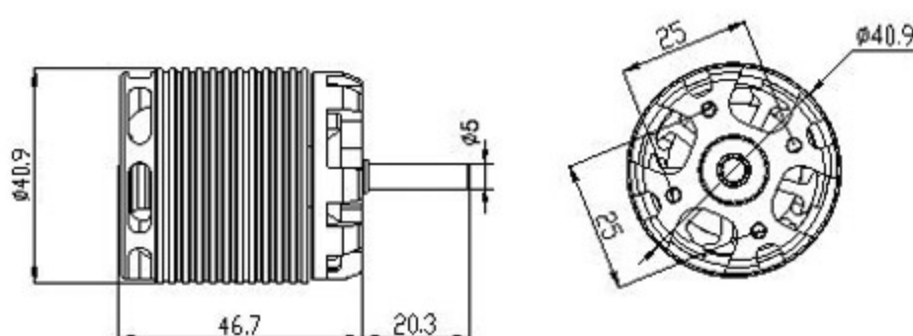


This new Brushless motor developed by the ALIGN POWER R&D TEAM, is packed with the latest, cutting edge technology available today. It features exceptional levels of high-torque power. The 500MX utilizes an 9-pole outrunner stator-rotor and unrivaled Ndfeb extra strong magnets that traditional magnets cannot compare to. Also included is a high temperature, wear-resisting, low friction, double ZZ high efficiency bearing. The 500MX will be the most revolutionary motor operating on low current amperage, and delivering high torque to RC models.

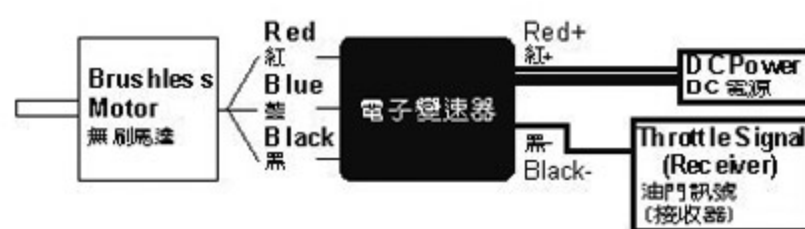
由亞拓動力團隊獨家研發出新款的無刷馬達，具有超高扭力特色，採用9槽矽鋼片、6極外轉子以及傳統磁鐵無法比擬的釹鐵硼超強磁鐵，搭配高溫耐磨的雙ZZ超高效能精密軸承設計，電流低、扭力強，將是下一波動革命中的最具代表性的一顆星。

SPECIFICATION 尺寸規格

ILLUSTRATION 接線示意圖



(Unit單位:mm)



The motor rotates in different direction with different brand ESCs. If the wrong rotating direction happens, please switch any two cables to make the motor rotates in right direction.

由於各品牌電子變速器的馬達啟動轉向不盡相同，若發生轉向錯誤時，請將馬達與電子變速器的接線任兩條對調即可。

KV KV值	1600KV(RPM/V)	Input voltage 輸入電壓	6S
Stator Arms 矽鋼片槽數	9	Magnet Pole s 磁鐵極數	6
Max continuous current 最大持續電流	75A	Max instantaneous current 最大瞬間電流	110A(5sec/5秒)
Max continuous power 最大持續功率	1600W	Max instantaneous power 最大瞬間功率	2300W(5sec/5秒)
Dimension 尺寸	Shaft 軸 ϕ 5x40.9x67mm	Weight 重量	Approx. 約197g

FEATURES 特性說明

1. The 500MX motor incorporates radial fan in its end bell, creating powerful airflow to dissipate heat. Tweaks to motor design and reduction in weight not only contributes to dramatic power increase, the high efficiency cooling system enables cooler operating temperature during and after flights when compared to motor of previous generation.
2. The 500MX motor armature had a special balance adjust to improve the serious shaking problem.
3. Maintenance free, high torque, high efficiency, stable and quiet.
4. High-speed ball bearings, powerful magnetic outrunner rotor.
5. Suitable for T-REX 500 heli copters.

1. 500MX採用全新的鼓風式後蓋設計，提供強大的散熱氣流，搭配嚴密的調校與輕量化設計不僅扭力大幅提升，高效率的散熱設計在飛行中與飛行後都較前一代馬達有更低的溫昇表現。
2. 500MX馬達轉子皆經過特殊平衡校正，改善一般無外殼外轉馬達平衡不佳，易產生嚴重震動的缺失。
3. 免保養、高扭力、高效率、低噪音、低溫昇、控制穩定。
4. 高速滾珠軸承、高磁通外轉子。
5. 適用T-REX 500全系列機型。