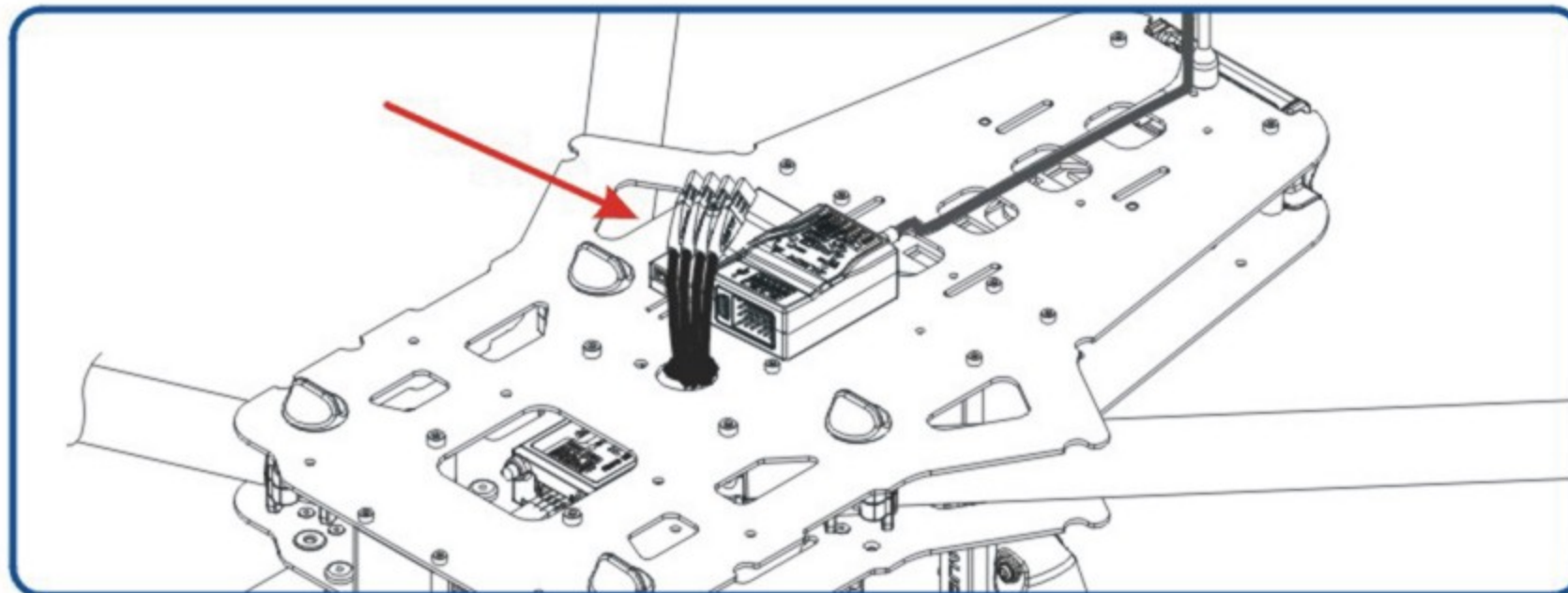


APS-M/GIMBAL Firmware Update Notice:



APS-M Firmware V2.1 must work with APS-M Interface software V2.0.
G3 Gimbal Firmware V2.2 must work with Gimbal G3 Interface software V2.2.
G2 Gimbal Firmware V2.1 must work with Gimbal G2 Interface software V2.2.

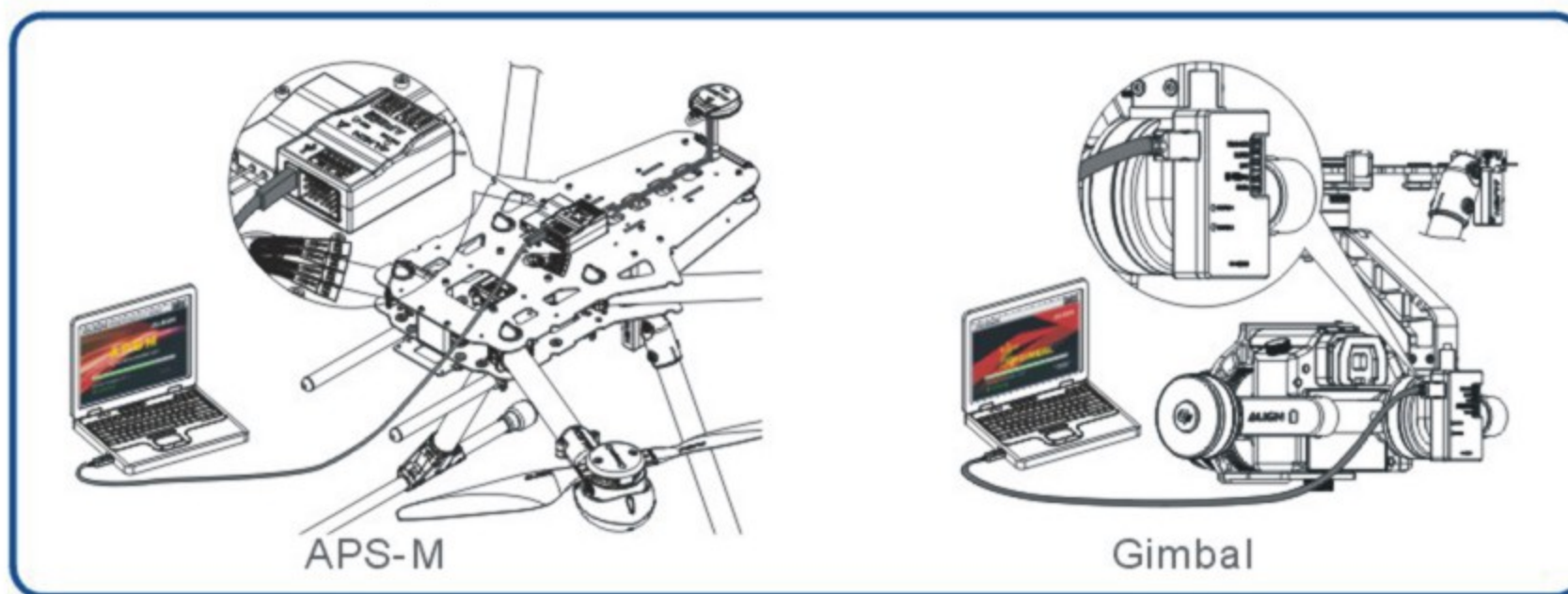
Step **1** Please remove the motor signal wire before update the APS-M to protect the machine.



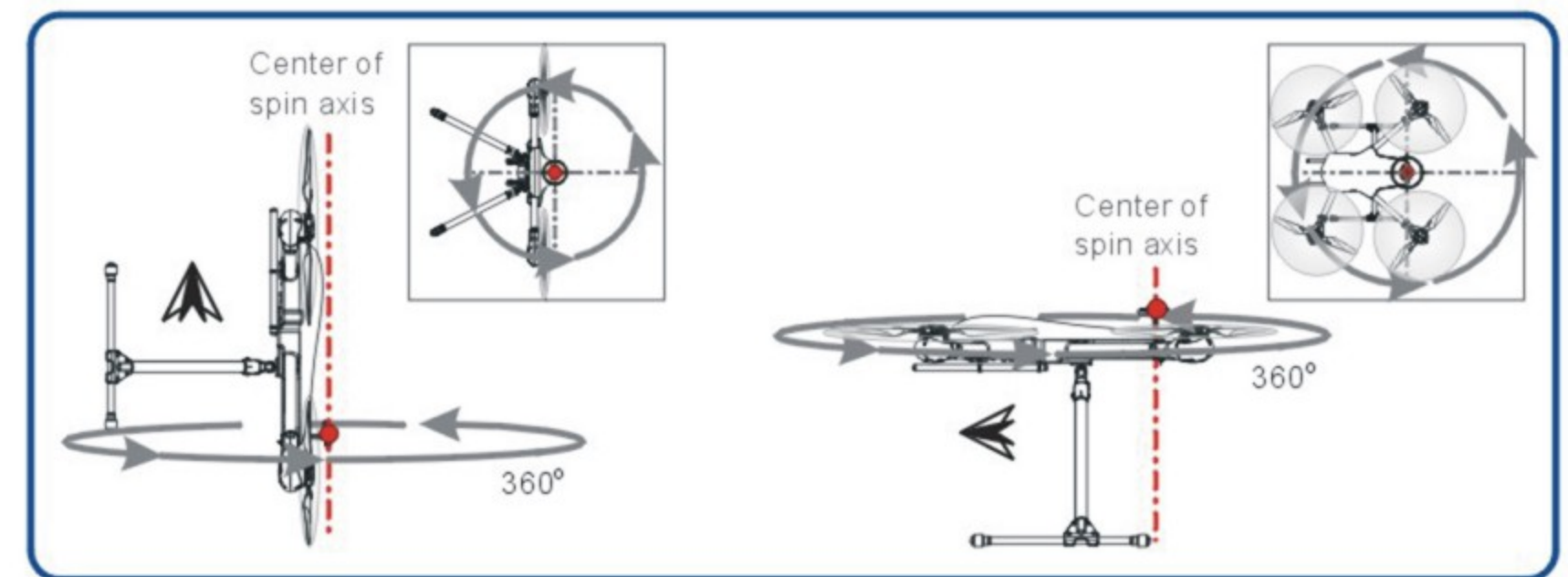
Step **2** Please update APS-M Interface Software to V2.0
Please update G3 Gimbal Interface Software to V2.2
Please update G2 Gimbal Interface Software to V2.2



Step **3** Please update APS-M Firmware to V2.1
Please update G3 Gimbal Firmware to V2.2
Please update G2 Gimbal Firmware to V2.1



Step **4** After above updating, please check and review all the setup, then re-perform magnetometer calibration again before start a flight.



For more method of operation, please refer to instruction manual:

M690L Multicopter
M480L Multicopter
M470L Multicopter

G3-GH Gimbal
G3-5D Gimbal
G2 Gimbal

www.align.com.tw
www.align.com.tw www.align.com.tw
www.align.com.tw